



# Parts Manual

Mfg. No: 2691635-00  
Corvette 400, 19" Walk Behind Mower



---

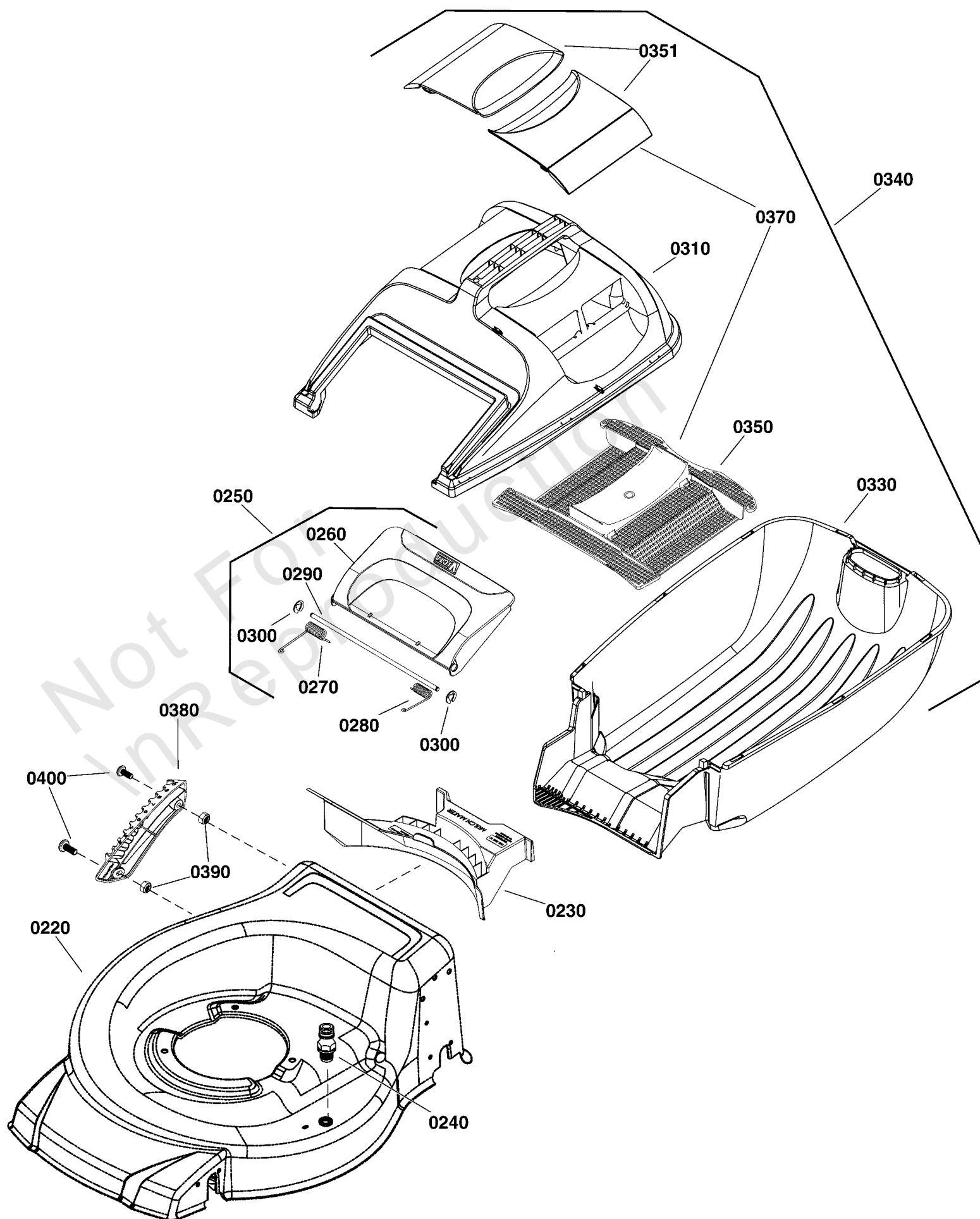
<b>Model Components</b>	<b>Page</b>
Deck & Catcher Group.....	4
Engine & Blades Group.....	6
Handles & Controls Group.....	8
Wheels & Axles Group.....	10
Torque Specification Chart.....	12

Not For  
In Reproduction

# Deck & Catcher Group

Note: Unless noted otherwise, use the standard torque specifications

Mfg. No: 2691635-00



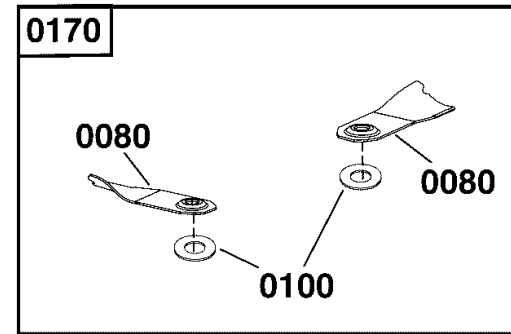
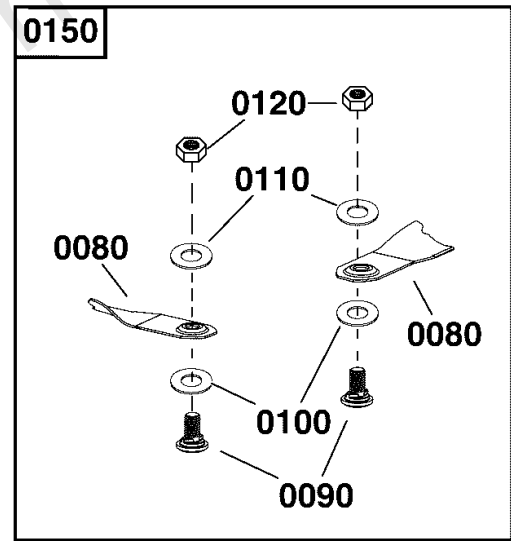
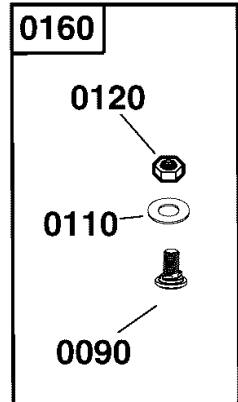
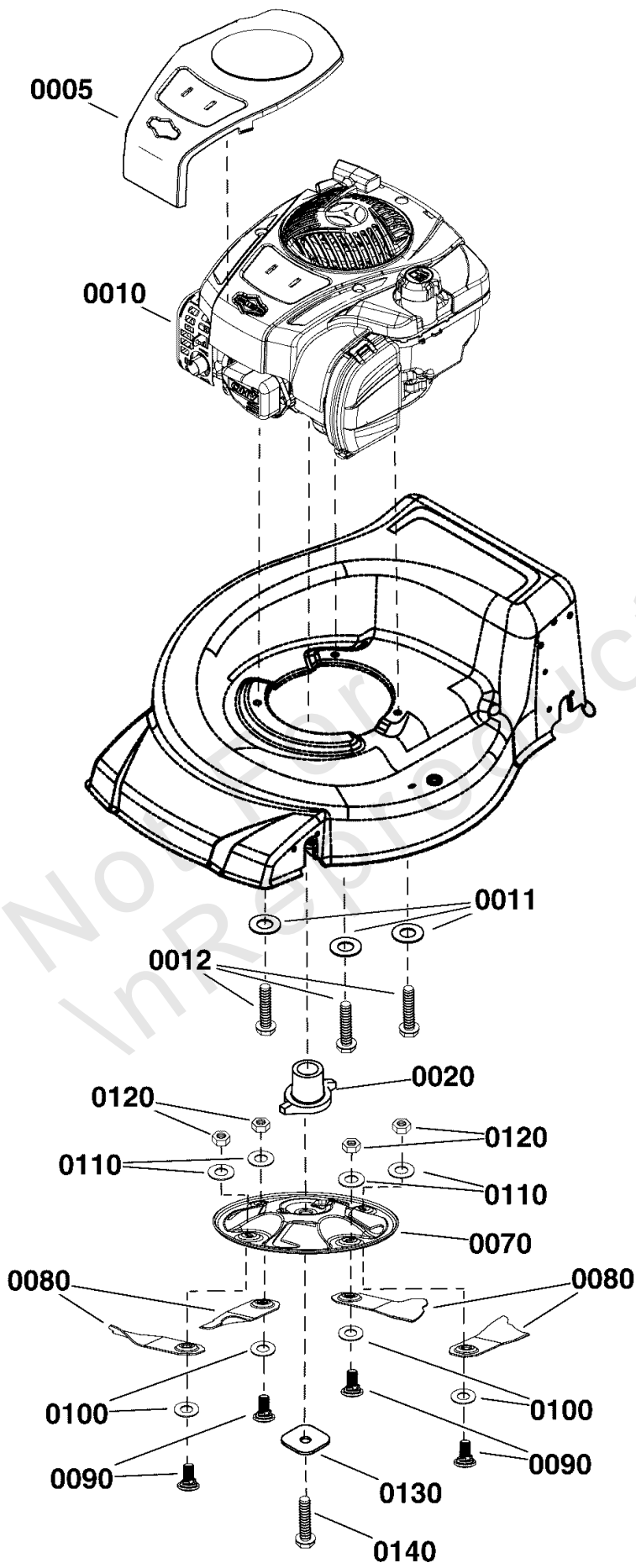
## Deck & Catcher Group

REF NO	PART NO	QTY	DESCRIPTION
0220	CH88374C	1	MOWER DECK, Aztec Silver, 19"
0230	CH87967A	1	MULCH PLUG
0240	CH88369A	1	WASHOUT PORT
0250	CH88318B	1	REAR FLAP ASSEMBLY, Black -(Includes Ref. 0260 through 0290)
0260	-----	1	FLAP, Rear, 19"
0270	-----	1	SPRING, Rear, Left
0280	-----	1	SPRING, Rear, Right
0290	-----	1	PIN, Rear Flap
0300	-----	2	WASHER, Split
0310	-----	1	GRASS CATCHER, Top
0330	-----	1	GRASS CATCHER, Bottom
0340	GC12054A	1	GRASS CATCHER ASSEMBLY, Black -(Includes Ref. 0310, 0330, 0350 & 0351)
0350	-----	1	GRASS CATCHER, Mesh
0351	-----	2	GRASS CATCHER, Vents
0370	GC11767V	1	VENT & MESH PACK, Adjustable Vents, Silver -(Includes Ref 0350 & 0351)
0380	CH88310A	1	HEIGHT ADJUST
0390	-----	2	SCREW, Pan Head, M6x14
0400	-----	2	NUT, Locking, GB/T6187

# Engine & Blades Group

Note: Unless noted otherwise, use the standard torque specifications

Mfg. No: 2691635-00



## Engine & Blades Group

REF NO	PART NO	QTY	DESCRIPTION
0005	594497	1	INSERT, Engine
0010	04M02-0216-H5	1	ENGINE -(Engine Style may vary from illustration)
0011	HA22228D	3	WASHER, Engine Bolt
0012	HA21320D	3	BOLT, Taptite, HW, 3/8 UNC x 30
0020	EE14861A	1	SLEEVE, Engine
0070	CA09459G	1	BLADE DISK, Mulch and Catch
0080	-----	4	BLADE, Mulching
0090	-----	4	BOLT, Flanged, Blade Disc
0100	-----	4	WASHER, Tension
0110	-----	4	WASHER, Belleville
0120	-----	4	NUT, Nylock, 3-8 UNC
0130	EN73054B	1	WASHER, Blade Disc
0140	EE14484B	1	BOLT, Flanged, Blade Disc
0150	CA09470B	1	KIT, Blade & Bolt, Bulk Pack (1 Pack) -(Includes Ref 0080 through 0120)
0160	CA09277S	1	KIT, Hardware, Bolt, Washer, Nut (1 Pack) -(Includes Ref 0090, 0110 & 0120)
0170	CA09470P	1	KIT, Blade & Bolt, Bulk Pack (40 Pairs) -(Includes Ref 0080 and 0100)

---

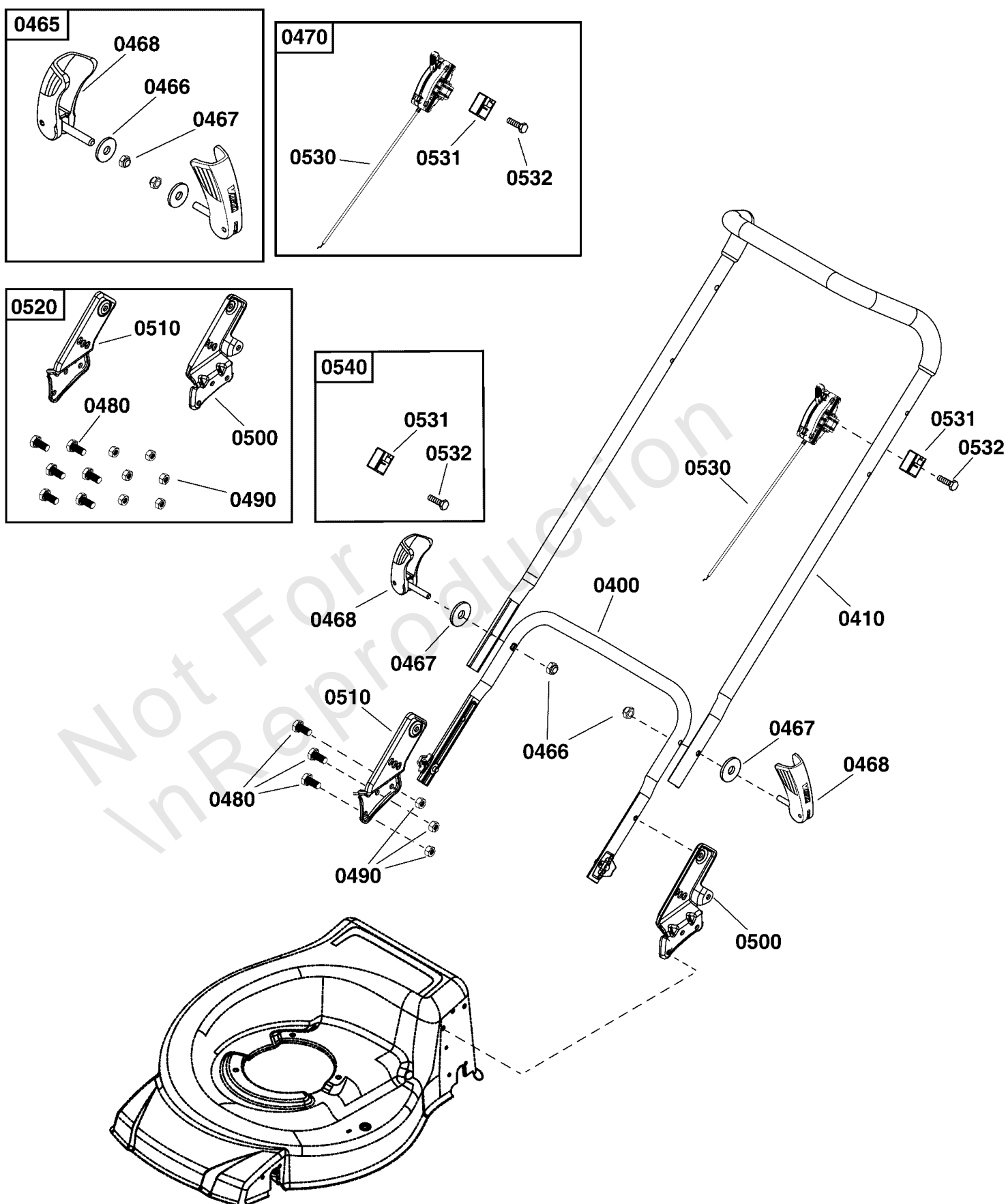
### Footnotes:

Note\* To verify your specific engine model, please reference the ID Tag located on your engine. See your local distributor for parts and service.

# Handles & Controls Group

Note: Unless noted otherwise, use the standard torque specifications

Mfg. No: 2691635-00





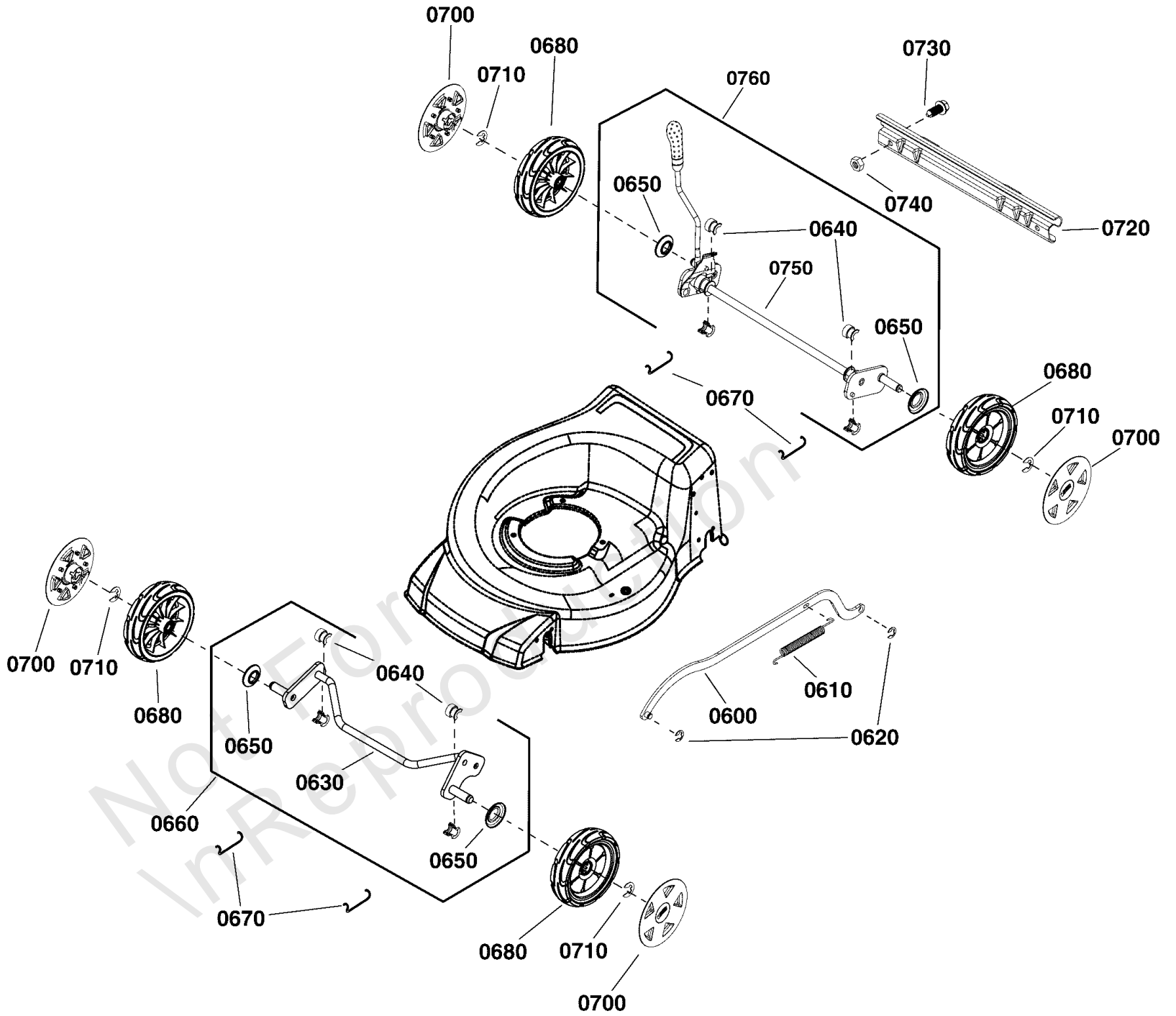
## Handles & Controls Group

REF NO	PART NO	QTY	DESCRIPTION
0400	CH88314B	1	LOWER HANDLE ASSEMBLY, Black
0410	CH88313B	1	UPPER HANDLE ASSEMBLY, Black
0465	CH88459A	1	KIT, Lever Locks -( Includes Ref. 0466 through 0468)
0466	-----	2	NUT, Nyloc, M8
0467	-----	2	WASHER
0468	-----	2	LEVER, Winged Locking
0470	CH88371A	1	THROTTLE CONTROL ASSEMBLY -( Includes Ref. 0530 through 0532)
0480	-----	6	BOLT, Hexagon Flange, M8X16
0490	-----	6	NUT, Face Lock, M8
0500	-----	1	SUPPORT, Handle, Left
0510	-----	1	SUPPORT, Handle, Right
0520	CH88452A	1	KIT, Handle Support -( Includes Ref. 0480 through 0510)
0530	-----	1	CONTROL, Throttle
0531	-----	1	BOLT, Hex
0532	-----	1	CLAMP, Cable
0540	CH88454A	1	KIT, Throttle Control Hardware -( Includes Ref. 0531 and 0532)

# Wheels & Axles Group

Note: Unless noted otherwise, use the standard torque specifications

Mfg. No: 2691635-00



## ***Wheels & Axles Group***

<b>REF NO</b>	<b>PART NO</b>	<b>QTY</b>	<b>DESCRIPTION</b>
0600	CH87997A	1	LINK, Connecting, 19"
0610	CH88316A	1	SPRING, Connecting Link, 19"
0620	HA25131D	2	CIRCLIP, Connecting Link
0630	----	1	AXLE, Front
0640	CH88384A	4	BUSHING, Axle
0650	CH81445A	2	DUST SEAL
0660	CH88456A	1	KIT, Front Axle Assembly -(Includes Ref. 0630 through 0650)
0670	CH84899B	4	RETAINING CLIP, Axle
0680	CH87335A	4	WHEEL ASSEMBLY, Razor, 8"
0700	CH88271B	4	HUBCAP, Razor, Metallic Silver
0710	CH86298A	4	CAPTIVATED CLIP, Wheel
0720	CH87996A	1	SKIRT, Rear, 19"
0730	----	2	SCREW, Hex Head, 1/4 x 5/8
0740	----	2	NUT, Nyloc, 1/4
0750	----		AXLE, Rear, 19"
0760	CH87998A	1	REAR AXLE ASSEMBLY, 19" -(Includes Ref. 0640, 0650 & 0750)

Not For Internal Production

# Hardware Identification & Torque Specifications

Torque Specification Chart								
FOR STANDARD METRIC MACHINE HARDWARE (Tolerance ± 20%)								
Property Class	5.6		8.8		10.9		12.9	
	Class 5.6		Class 8.8		Class 10.9		Class 12.9	
Size Of Hardware	in/lbs	Nm.	in/lbs	Nm.	in/lbs	Nm.	in/lbs	Nm.
	ft/lbs		ft/lbs		ft/lbs		ft/lbs	
M3	5.88	.56	13.44	1.28	19.2	1.80	22.92	2.15
M4	13.44	1.28	30.72	2.90	43.44	4.10	52.56	4.95
M5	26.4	2.50	60.96	5.75	5.97	8.10	7.15	9.7
M6	44.64	4.3	7.3	9.9	10.3	14	12.1	16.5
M7	5.2	7.1	12.1	16.5	16.9	23	19.9	27
M8	7.7	10.5	17.7	24	25	34	29	40
M10	15	21	35	48	50	67	59	81
M12	26	36	61	83	86.2	117	103	140
M14	42	58	101	132	136	185	162	220
M16	64	88	147	200	210	285	250	340
M18	89	121	202	275	287	390	346	470
M20	126	171	290	390	405	550	486	660
M22	169	230	390	530	559	745	656	890
M24	217	295	497	375	708	960	840	1140
M27	320	435	733	995	1032	1400	1239	1680
M30	435	590	995	1350	1401	1900	1681	2280
M33	590	800	1349	1830	1902	2580	2278	3090
M36	759	1030	1740	2360	2441	3310	2935	3980
M39	988	1340	2249	3050	3163	4290	3798	5150

Torque Specification Chart						
FOR STANDARD MACHINE HARDWARE (Tolerance ± 20%)						
Hardware Grade	No Marks		SAE Grade 5		SAE Grade 8	
	SAE Grade 2		SAE Grade 5		SAE Grade 8	
Size Of Hardware	in/lbs	Nm.	in/lbs	Nm.	in/lbs	Nm.
	ft/lbs		ft/lbs		ft/lbs	
8-32	19	2.1	30	3.4	41	4.6
8-36	20	2.3	31	3.5	43	4.9
10-24	27	3.1	43	4.9	60	6.8
10-32	31	3.5	49	5.5	68	7.7
1/4-20	66	7.6	8	10.9	12	16.3
1/4-28	76	8.6	10	13.6	14	19.0
5/16-18	11	15.0	17	23.1	25	34.0
5/16-24	12	16.3	19	25.8	29	34.0
3/8-16	20	27.2	30	40.8	45	61.2
3/8-24	23	31.3	35	47.6	50	68.0
7/16-14	30	40.8	50	68.0	70	95.2
7/16-20	35	47.6	55	74.8	80	108.8
1/2-13	50	68.0	75	102.0	110	149.6
1/2-20	55	74.8	90	122.4	120	163.2
9/16-12	65	88.4	110	149.6	150	204.0
9/16-18	75	102.0	120	163.2	170	231.2
5/8-11	90	122.4	150	204.0	220	299.2
5/8-18	100	136	180	244.8	240	326.4
3/4-10	160	217.6	260	353.6	386	525.0
3/4-16	180	244.8	300	408.0	420	571.2
7/8-9	140	190.4	400	544.0	600	816.0
7/8-14	155	210.8	440	598.4	660	897.6
1-8	220	299.2	580	788.8	900	1,244.0
1-12	240	326.4	640	870.4	1,000	1,360.0

The guides and ruler furnished below are designed to help you select the appropriate hardware.



Nut, M8

Thread Diameter (mm)

Inside Diameter (in)      Threads per inch

Nut, 1/2-16



Screw, M8- 1.25 x 25

Thread Diameter (mm)      Distance between threads (mm)      Body Length (mm)

Body Diameter      Threads per inch      Body Length (in)

Screw, 1/2- 16 x 2



## Standard Hardware Sizing

When a washer or nut is identified as 1/2" (M8), this is the *Nominal size*, meaning the *inside diameter* is 1/2 inch (8mm metric thread diameter); if a second number is present it represents the *threads per inch* (distance between threads).

When bolt or capscrew is identified as 1/2 - 16 x 2" (M8 - 1.25 x 50), this means the *Nominal size*, or body diameter is 1/2 inch (8mm metric thread diameter), the second number, 16, represents the *threads per inch*, (*distance between threads*). The final number is the body length of the bolt or screw, 2 inches (50mm).

## NOTES

- These torque values are to be used for all hardware excluding: locknuts, self-tapping screws, thread forming screws, sheet metal screws and socket head setscrews.
- Recommended seating torque values for locknuts:
  - for prevailing torque locknuts - use 65% of grade 5 torques.
  - for flange whizlock nuts and screws - use 135% of grade 5 torques.
- Unless otherwise noted on assembly drawings, all torque values must meet this specification.

## Common Hardware Types

Hex Head Capscrew



Washer



Carriage Bolt



Hex Nut

## Wrench & Fastener Size Guide

1/4" Bolt or Nut Wrench—7/16"	5/16" Bolt or Nut Wrench—1/2"	3/8" Bolt or Nut Wrench—9/16"	7/16" Bolt or Nut Wrench (Bolt)—5/8" Wrench (Nut)—11/16"	1/2" Bolt or Nut Wrench—3/4"
M6 Bolt or Nut Wrench—10mm	M8 Bolt or Nut Wrench—13mm	M10 Bolt or Nut Wrench—17mm	M12 Bolt or Nut Wrench—19mm	M14 Bolt or Nut Wrench—22mm

**VICTA**