

STIHL RMA 339, RMA 339 C

STIHL

EN Instruction manual



RMA 339.0

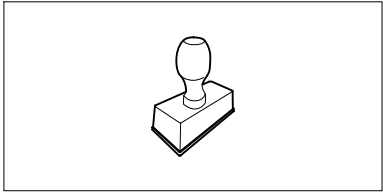
RMA 339.0 C

B

AUS/NZ

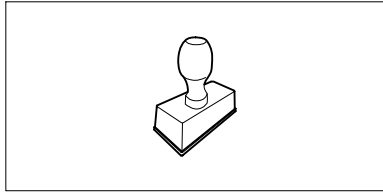


UU _____ 2.0



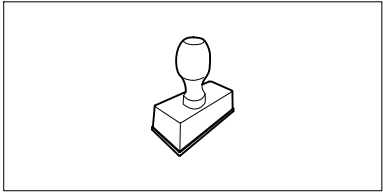
UU _____ 2.0

UU _____ 2.0



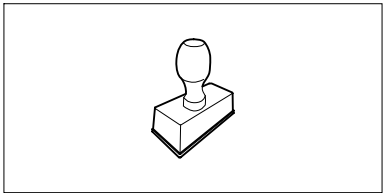
UU _____ 2.0

UU _____ 2.0



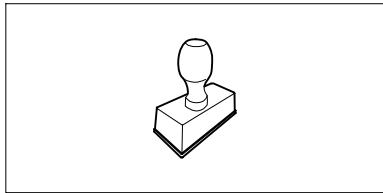
UU _____ 2.0

UU _____ 2.0



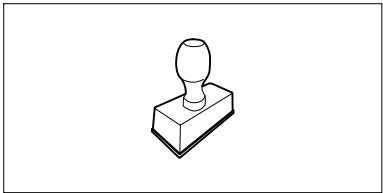
UU _____ 2.0

UU _____ 2.0



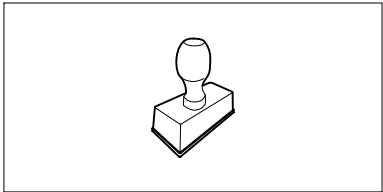
UU _____ 2.0

UU _____ 2.0



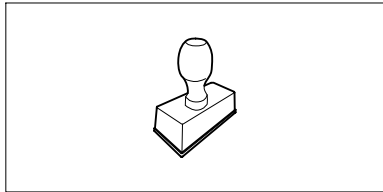
UU _____ 2.0

UU _____ 2.0



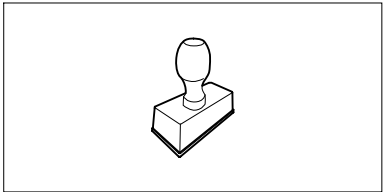
UU _____ 2.0

UU _____ 2.0



UU _____ 2.0

UU _____ 2.0



UU _____ 2.0

Dear Customer,

Thank you for choosing STIHL. We develop and manufacture our quality products to meet our customers' requirements. The products are designed for reliability even under extreme conditions.

STIHL also stands for premium service quality. Our specialist dealers guarantee competent advice and instruction as well as comprehensive service support.

We thank you for your confidence in us and hope you will enjoy working with your STIHL product.



Dr. Nikolas Stihl

IMPORTANT: READ BEFORE USE AND KEEP IN A SAFE PLACE.

1. Table of contents

Notes on the instruction manual	4	Removing/inserting the battery	18
General	4	Charging the battery	19
Instructions for reading the instruction manual	4	LEDs on the battery	19
Country-specific versions	5	LED on the charger	20
Machine overview	6	Controls	20
For your safety	7	Battery compartment	20
General	7	Safety plug	20
Clothing and equipment	8	Eco mode switch	21
Battery	8	Adjusting the mono handlebar (RMA 339 C)	21
Charger	9	Folding down the dual handlebar (RMA 339)	21
Charging	9	Central cutting height adjustment	22
Transporting the machine	10	Grass catcher box	22
Transporting the battery	10	Level indicator	23
Before operation	10	Notes on working with the machine	23
Working with your machine	11	General	23
Maintenance, cleaning, repairs and storage	12	Cutting performance	23
Storage for prolonged periods without operation	13	Working area for operator	23
Disposal	13	Correct motor load	24
Description of symbols	13	If the mowing blade blocks	24
Standard equipment	15	Thermal motor overload protection	24
Preparing the machine for operation	16	Safety devices	24
General points	16	Safety plug	24
Installing the mono handlebar (RMA 339 C)	16	Safety devices	24
Installing the dual handlebar (RMA 339)	17	Two-hand operation	24
Assembling the grass catcher box	17	Motor run-down brake	24
Battery and charger	18	Operating the machine	24
General	18	Preparatory measures	24
Connecting the charger to the mains	18	Switching the lawn mower on	24
		Switching the lawn mower off	25
		Emptying the grass catcher box	25
		Maintenance	26
		General	26
		Cleaning the machine	26
		Electric motor and wheels	27

Battery	27
Charger	27
Checking blade wear	27
Removing and installing the mowing blade	28
Sharpening the mowing blade	28
Storage (winter break)	28
Transport	29
Carrying and securing the lawn mower	29
Transporting the battery	30
Minimising wear and preventing damage	30
Environmental protection	31
Standard spare parts	31
Technical specifications	31
STIHL AK battery	32
STIHL charger AL 101	32
Troubleshooting	32
Service schedule	34
Handover confirmation	34
Service confirmation	34

2. Notes on the instruction manual

2.1 General

This instruction manual constitutes **original manufacturer's instructions** in the sense of EC Directive 2006/42/EC.

STIHL is continually striving to further develop its range of products; we therefore reserve the right to make alterations to the form, technical specifications and equipment level of our standard equipment.

For this reason, the information and illustrations in this manual are subject to alterations.

This instruction manual may describe models that are not available in all countries.

This instruction manual is protected by copyright. All rights reserved, especially the right of reproduction, translation and processing using electronic systems.

2.2 Instructions for reading the instruction manual

Illustrations and texts describe specific operating steps.

All symbols which are affixed to the machine are explained in this instruction manual.

Viewing direction:

Viewing direction when "left" and "right" are used in the instruction manual: the user is standing behind the machine and is looking forwards in the direction of travel.

Section reference:

References to relevant sections and subsections for further descriptions are made using arrows. The following example shows a reference to a section: (⇒ 3.)

Designation of text passages:

The instructions described can be identified as in the following examples.

Operating steps which require intervention on the part of the user:

- Release bolt (1) using a screwdriver, operate lever (2)...

General lists:

- Use of the product for sporting or competitive events

Texts with added significance:

Text passages with added significance are identified using the symbols described below in order to especially emphasise them in the instruction manual:



Danger

Risk of accident and severe injury to persons. A certain type of behaviour is necessary or must be avoided.



Warning

Risk of injury to persons. A certain type of behaviour prevents possible or probable injuries.



Caution

Minor injuries or material damage can be prevented by a certain type of behaviour.



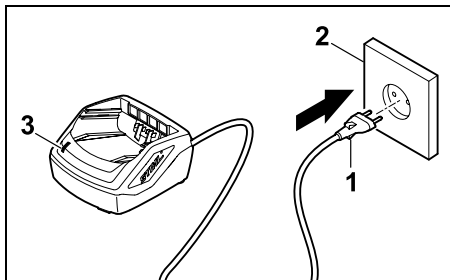
Note

Information for better use of the machine and in order to avoid possible operating errors.

Illustrations with text passages:

Operating steps relating directly to the illustration can be found immediately after the illustration, with a corresponding reference to the item numbers.

Example:



Insert mains plug (1) in socket (2).

Texts relating to illustrations:

Illustrations relating to use of the machine can be found in the front of this instruction manual.

The camera symbol serves to link the figures on the illustration pages with the corresponding text passages in the instruction manual.

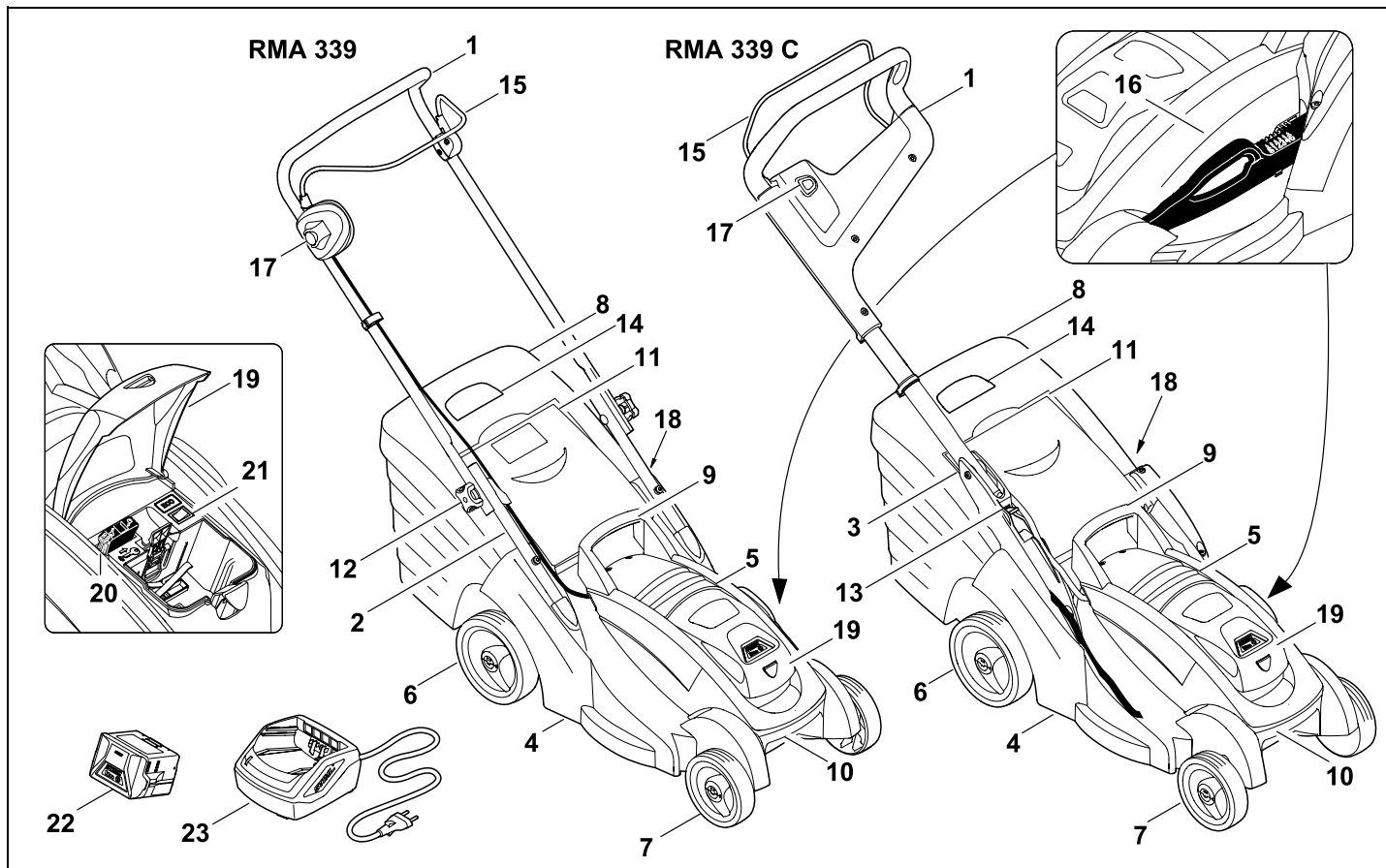


2.3 Country-specific versions

STIHL supplies chargers with different plugs and switches, depending on the country of sale.

Chargers with European plugs are shown in the illustrations. Chargers with other types of plug are connected to the mains in a similar way.

3. Machine overview



- 1 Upper handlebar
- 2 Lower handlebar (RMA 339)
- 3 Bracket (RMA 339 C)
- 4 Housing
- 5 Motor hood
- 6 Rear wheel
- 7 Front wheel
- 8 Grass catcher box
- 9 Upper transport handle
- 10 Lower transport handle
- 11 Discharge flap
- 12 Rotary handle (RMA 339)
- 13 Handlebar detent lever (RMA 339 C)
- 14 Level indicator (grass catcher box)
- 15 Motorstop lever
- 16 Height adjustment lever
- 17 ON button
- 18 Rating plate with machine number
- 19 Cover
- 20 Safety plug
- 21 Eco mode switch
- 22 Battery
- 23 Charger

4. For your safety

4.1 General



These safety regulations must be observed when working with the machine.



Read the entire instruction manual before using the machine for the first time. Keep the instruction manual in a safe place for future reference.

These safety precautions are essential for your safety, however the list is not exhaustive. Always use the machine in a reasonable and responsible manner and be aware that the user is responsible for accidents involving third parties or their property.

Make sure that you are familiar with the controls and use of the machine.

The machine must only be used by persons who have read the instruction manual and are familiar with operation of the machine. The user should seek expert and practical instruction prior to initial operation. The user must receive instruction on safe use of the machine from the vendor or another expert.

During this instruction, the user should be made aware that the utmost care and concentration are required for working with the machine.

Residual risks persist even if you operate this machine according to the instructions.



Risk of death from suffocation!

Packaging material is not a toy - danger of suffocation! Keep packaging material away from children.

Only give or lend the machine, including any accessories, to persons who are familiar with this model and how to operate it. The instruction manual forms part of the machine and must always be provided to persons borrowing it.

Make sure that the user is physically, sensorily and mentally capable of operating the machine and working with it. If the user is physically, sensorily or mentally impaired, the machine must only be used under supervision or following instruction by a responsible person.

Make sure that the user is of legal age or being trained under supervision in a profession in accordance with national regulations.

The machine must only be operated by persons who are well rested and in good physical and mental condition. If your health is impaired, you should consult your doctor to determine whether working with the machine is possible. The machine should not be operated after the consumption of alcohol, drugs or medications which impair reactions.

The machine is intended for private use.

Caution – risk of accident:

The machine is only intended for mowing lawns. Its use for other purposes is not permitted and may be dangerous or result in damage to the machine.

Due to the physical danger to the user, the machine must not be used for the following applications (incomplete list):

- for trimming bushes, hedges and shrubs,
- for cutting creepers,
- for the care of lawn roofs and balcony boxes,
- for shredding or chopping tree or hedge cuttings,
- for clearing paths (vacuuming, blowing),
- for levelling earth mounds, e.g. mole hills,
- for transporting clippings, except in the grass catcher box intended for this purpose.

For safety reasons, any modification to the machine, except the proper installation of accessories approved by STIHL, is

forbidden and results in voiding of the warranty cover. Information regarding approved accessories can be obtained from your STIHL specialist dealer.

In particular, any tampering with the machine which increases the power output or speed of the engine or motor is forbidden.

It is not permissible to make any modifications to the machine that could lead to increased noise emissions.

It is not permitted to transport objects, animals or persons, particularly children, on the machine.

Particular care is required during use in public green spaces, parks, sports fields, along roads and in agricultural and forestry businesses.

Only release the machine if it is on a level surface and cannot roll away by itself.



Caution! Danger to health due to vibrations. Excessive exposure to vibrations can result in damage to the

cardiovascular or nervous system, particularly in persons with cardiovascular problems. Please consult a physician if you experience symptoms that may have been caused by vibrational loads. Symptoms of this kind principally affect the fingers, hands or wrists and include (incomplete list):

- numbness,
- pain,
- muscular weakness,
- skin discolouration,
- unpleasant tingling sensation.

Hold the handlebar tightly, but not tensed, with both hands in the designated locations during operation.

Plan your working times so that more severe physical strains over a longer period are avoided.

4.2 Clothing and equipment



Always wear sturdy footwear with high-grip soles when working. Never work barefoot or, for example, in sandals.



Also always wear sturdy gloves and tie up and secure long hair (headscarf, cap, etc.) when performing maintenance and cleaning work or when transporting the machine.



Wear suitable safety glasses when sharpening the mowing blade.

Always wear long trousers and tight-fitting clothing when operating the machine.

Never wear loose clothes which may become caught on moving parts (control levers) – do not wear jewellery, ties or scarves.

4.3 Battery

Children cannot recognise or evaluate the dangers posed by batteries. There is a risk of serious injury to children.

- Keep children away.
- Keep the battery out of the reach of children.

The battery is not protected against all ambient conditions. If exposed to certain ambient conditions, the battery may catch fire or explode. Persons could be injured or property damaged.

- Protect the battery against heat or fire.
- Do not throw the battery into a fire.



- Observe the permissible temperature range for the battery. (⇒ 18.1)



- Keep the battery away from metallic objects.
- Protect the battery against rain and moisture. Do not immerse in liquids.



- Do not subject the battery to high pressure.
- Do not subject the battery to microwaves.
- Protect the battery against chemicals and salts.
- Do not drop the battery.
- Keep the battery clean and dry.
- Store the battery in a locked, room.
- Store the battery away from the lawn mower and from the charger.
- Keep the battery in electrically non-conductive packaging.
- Store the battery within the permissible temperature range. (⇒ 18.1)

The battery is in **good operating condition** when the following conditions are met:

- The battery is not damaged.
- The battery is clean and dry.

- The battery is operative and has not been modified.

The battery can not operate safely if it is not in good operating condition. There is a risk of serious injury to persons.

- Do not work with a damaged or defective battery.
- Do not charge a damaged or defective battery.
- If the battery is dirty or wet: clean the battery and allow it to dry.
- Do not modify the battery.
- Do not insert any objects into the apertures in the battery.
- Never connect the battery terminals with metallic objects and cause a short circuit.
- Do not open the battery.

Fluid may escape from a damaged battery. If the fluid enters into contact with the skin or eyes, this may cause irritation.

- Avoid contact with the fluid.
- In the event of contact with the skin: Wash the affected areas with plenty of soap and water.
- In the event of contact with the eyes: Rinse the eyes with plenty of water for 15 minutes and seek medical attention.

A damaged or defective battery may emit a strange odour, smoke, or catch fire. Persons could be seriously or fatally injured and property may be damaged.

- If the battery emits a strange odour or smokes: Do not use the battery and keep it away from flammable materials.
- If the battery catches fire: extinguish the battery using a fire extinguisher or water.

4.4 Charger

Children cannot recognise or evaluate the dangers posed by the charger or by electrical current. There is a risk of serious injury to children.

- Keep children away.
- Keep the charger out of the reach of children.

The charger is not protected against all ambient conditions. If exposed to certain ambient conditions, the charger may catch fire or explode. Persons could be injured or property damaged.

- Do not operate the charger in a highly flammable or explosive environment.
- Do not operate the charger on a highly flammable surface.
- Observe the permissible temperature range for the charger.
- Operate the charger in a dry and locked room.
- Store the charger away from the lawn mower and from the battery.
- Allow the charger to cool down before putting it into storage.
- Keep the charger clean and dry.
- Store the charger in a locked, room.



The charger is in **good operating condition** when the following conditions are met:

- The charger is not damaged.
- The charger is clean and dry.
- The charger is operative and has not been modified.

If not in good operating condition, components can no longer operate correctly and safety devices may be disabled. There is a risk of serious injury to persons.

- Do not use a damaged or defective charger. Dispose of the charger.
- If the charger is dirty or wet: clean the charger and allow it to dry.
- Do not modify the charger.
- Do not insert any objects into the apertures in the charger.
- Never connect the charger terminals with metallic objects and cause a short circuit.
- Do not open the charger.

The electric cable is not intended for carrying or suspending the charger. The electric cable and the charger could become damaged.

- Pick up and hold the charger by the housing. A recessed grip is provided on the housing for easy lifting of the charger.
- Store the charger on the wall bracket.

4.5 Charging

Contact with live components can result from the following causes:

- The electric cable is damaged.
- The mains plug is damaged.
- The socket is incorrectly installed.

Contact with live components can result in an electric shock. The user could be seriously or fatally injured.

- The mains plug and electric cable are particularly important when it comes to electrical safety.
- Insert the mains plug in a correctly installed socket.

An incorrect mains voltage or an incorrect mains frequency during charging may lead to overvoltage in the charger. The charger could become damaged.

- Ensure that the mains voltage and the mains frequency of the power supply correspond to the information contained in the rating plate on the charger.

A damaged or defective charger may emit a strange odour or smoke. Persons could be injured or property damaged.

- Remove mains plug from socket.

In the case of insufficient heat dissipation, the charger could overheat, causing a fire. Persons could be seriously or fatally injured and property may be damaged.

- Do not cover the charger.
- Store the charger on the wall bracket.

If several chargers are connected to a socket, electrical wires could become overloaded during charging. The electrical wires could heat up and cause a fire. Persons could be seriously or fatally injured and property may be damaged.

- Only connect one charger to a socket.
- Do not connect a charger to multiple sockets.

4.6 Transporting the machine

Always wear gloves in order to prevent injuries due to sharp-edged and hot components.



Switch off the machine prior to transport, allow the blade to come to a standstill and remove the safety plug.

Only transport the machine once the motor has cooled down.

Take the weight of the machine into account and use suitable loading aids (loading ramps, lifters) if necessary.

Secure the machine and any machine components being transported (e.g. grass catcher box) on the load floor using fastening material of adequate size (belts, ropes, etc.).

Avoid contact with the mowing blade when lifting and carrying the machine.

Observe the information in the section "Transport". It describes how to lift and lash the machine. (⇒ 14.)

When transporting the machine, always observe regional legislation, especially regarding load security and the transport of objects on load floors.

4.7 Transporting the battery

The battery is not protected against all ambient conditions. If exposed to certain ambient conditions, the battery may become damaged and property may be damaged

- Do not transport a damaged battery.
- Transport the battery in the machine, in electrically non-conductive packaging or in an electrically non-conductive transport container.

During transport outside of the machine, the battery could tip over or move. Persons could be injured or property damaged.

- Pack the battery in the packaging or transport container in such a way that it cannot move.
- Secure the packaging or transport container so that the packaging or transport container cannot move.

Do not leave the battery inside a vehicle and never expose it to direct sunlight.

Lithium-ion batteries must be treated with special care during transport. In particular, it must be ensured that short circuits are prevented during transport of the batteries. For this reason, keep the original cardboard packaging of the battery and always transport STIHL batteries either in the undamaged original packaging or in the lawn mower.

4.8 Before operation

Make sure that only persons who are familiar with the instruction manual are permitted to use the machine.

Observe the local regulations regarding permitted operating times for gardening power tools with electric motors.

Carefully inspect the complete area on which the machine is to be used and remove any stones, sticks, wires, bones and other foreign objects which could be thrown up by the machine. Obstacles (e.g. tree stumps, roots) can be easily overlooked in long grass.

For this reason, mark all foreign objects (obstacles) which are hidden in the lawn and cannot be removed before commencing work with the machine.

All faulty, worn or damaged parts must be replaced before using the machine. Replace any illegible or damaged danger signs and warnings on the machine. Your

STIHL specialist has a supply of replacement stickers and all the other spare parts.

The machine must only be used in good operating condition. Before each use, check whether:

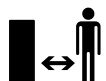
- The machine is properly assembled.
- The cutting tool and the entire cutting unit (mowing blade, fastening elements, mowing deck housing) are in good condition. In particular check for secure fastening, damage (notches or cracks) and wear.
- The safety devices (e.g. discharge flap, housing, handlebar, motorstop lever) are in good condition and working properly.
- The grass catcher box is undamaged and correctly installed; a damaged grass catcher box must not be used.
- The run-down brake of the electric motor is functioning.

Carry out any necessary work or consult a specialist dealer. STIHL recommends STIHL specialist dealers.

Never switch the motor on without a correctly installed blade. Risk of motor overheating.

Follow the instructions in the "Battery" (⇒ 4.3) and "Charger" (⇒ 4.4) sections.

4.9 Working with your machine



Never work when animals or persons, particularly children, are in the danger area.

Do not work at ambient temperatures below +5°C (41°F).

Only work during the day or with good artificial light.

Do not operate the machine in the rain or during thunder storms, particularly when there is a risk of lightning strike.



Caution – risk of injury!

Never put hands or feet on or underneath rotating parts.
Never touch the rotating blade.

Always keep away from the discharge opening.

Always observe the safety distance provided by the handlebar. The handlebar must always be installed correctly and must not be modified. Never operate the machine with the handlebar folded down.

The switch and safety devices installed in the machine must not be removed or bypassed. In particular, never secure the motorstop lever to the handlebar (e.g. by tying it).

Never attach any objects to the handlebar (e.g. work clothing).

The risk of accidents is higher if the ground is damp due to increased danger of slipping.

Particular caution should be exercised during working in order to prevent slipping. If possible, avoid using the machine when the ground is damp.

Do not leave the machine in the rain.

Always keep the battery compartment closed during operation.

Switching on the machine:

Exercise care when switching on the machine and observe the instructions in the section "Initial operation of the machine". (⇒ 12.)

Keep your feet a safe distance from the cutting tool.

Place the machine on an even surface before switching it on.

The machine must not be tilted before it is switched on or during switching-on.

Do not switch on the motor if the discharge chute is not covered by the discharge flap or the grass catcher box.

Avoid switching the machine on repeatedly within a short period of time; in particular avoid "playing" with the ON button. Risk of motor overheating.

Working on slopes:

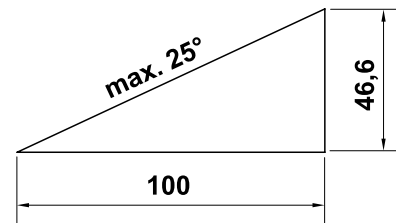
Always work across and back on slopes, never up and down.

If the user loses control when mowing up and down, there is a risk of being run over by the machine.

Be particularly careful when changing direction on a slope.

Always ensure good stability on slopes and avoid mowing on excessively steep slopes.

For safety reasons, the machine must not be used on slopes with an inclination of more than 25° (46.6%). **Risk of injury!** A slope inclination of 25° corresponds to a vertical height increase of 46.6 cm for a 100 cm horizontal distance.



Working:



Caution – risk of injury!

Never put hands or feet on or underneath rotating parts.
Never touch the rotating blade.

Always keep away from the discharge opening. Always observe the safety distance provided by the handlebar.



Do not try to examine the blade while the machine is operating. Never open the discharge flap and/or remove the grass catcher box when the mowing blade is running. Rotating blades can cause injury.

Only operate the machine at walking speed – never run when working with the machine. Working quickly with the machine increases the risk of injury due to stumbling, slipping, etc.

Be particularly careful when turning the machine around or pulling it towards you.
Risk of stumbling!

Objects hidden in the turf (lawn sprinkler systems, posts, water valves, foundations, electrical wires, etc.) must be avoided. Never run over any such foreign objects.

If the cutting tool or the machine hits an obstacle or a foreign object, the motor must be switched off, the safety plug disconnected and an inspection performed by a specialist.



STOP

Beware of the cutting tool running on for several seconds before coming to a standstill.

Switch off the motor,

- if tilting of the machine is necessary when transporting over surfaces other than grass,
- when pushing the machine to and from mowing areas,

- before removing the grass catcher box,
- before adjusting the cutting height.



Switch off the motor, disconnect the safety plug and ensure that the cutting tool has come to a complete standstill

- before removing the battery;
- before leaving the machine unattended;
- before transporting, lifting, or carrying the machine;
- before remedying blockages, including those in the discharge chute;
- before you check, clean or carry out work on the machine (e.g. folding down or adjusting the handlebar);
- if the cutting tool has hit a foreign object. The cutting tool needs to be checked for possible damage. The machine must not be operated with a damaged or bent blade shaft or motor shaft. **Risk of injury through defective parts!**
- if the machine begins to vibrate excessively. In this case, the complete machine, in particular the cutting tool, must be checked for possible damage and loose parts. Damaged parts must be replaced prior to further use, loose parts must be fastened/tightened.



Risk of injury!

Strong vibration is normally an indication of a fault. In particular, the machine must not be operated with a damaged or bent blade shaft or mowing blade. If you do not have the appropriate expertise, have the necessary repairs carried out by a specialist dealer (STIHL recommends STIHL specialist dealers).

4.10 Maintenance, cleaning, repairs and storage

Before performing work on the machine, before adjusting or cleaning

- Switch off the motor
- Remove the safety plug
- Remove the battery if necessary



Allow the machine to fully cool down before storing it in enclosed places, performing maintenance on it or cleaning it.

Cleaning:

The complete machine must be cleaned thoroughly following use. (⇒ 13.2)

Remove accumulated clipping deposits using a stick. Clean the underside of the mower with water and a brush.

Never use high-pressure cleaners and do not clean the machine under running water (e.g. using a garden hose). Do not use aggressive cleaning agents. These can damage plastics and metals, impairing the safe operation of your STIHL machine.

In order to prevent overheating and fire hazards, keep the areas around the air vents on the top of the machine (between the motor hood and housing) and the machine underside (in the discharge chute) free from dirt (e.g. grass, straw, moss, leaves or escaping grease).

Maintenance operations:

Only maintenance operations described in this instruction manual may be carried out. Have all other work performed by a specialist dealer.

If you do not have the necessary expertise

or auxiliary equipment, please **always** contact a specialist dealer.

STIHL recommends that you have maintenance operations and repairs performed exclusively by a STIHL specialist dealer. STIHL specialist dealers regularly attend training courses and are provided with technical information.

Only use tools, accessories or attachments approved for this machine by STIHL or technically identical parts. Otherwise, there may be a risk of accidents resulting in personal injury or damage to the machine. If you have any questions, please consult a specialist dealer.

The characteristics of original STIHL tools, accessories and spare parts are optimally adapted to the machine and the user's requirements. Genuine STIHL spare parts can be recognised by the STIHL spare parts number, by the STIHL lettering and, if present, by the STIHL spare parts symbol. On smaller parts, only the symbol may be present.

Always keep warning and information stickers clean and readable. Damaged or missing stickers must be replaced by new, original plates from your STIHL specialist dealer. If a component is replaced with a new component, ensure that the new component is provided with the same stickers.

Regularly check that the mowing blade is securely fastened and is not damaged or worn.

Only perform work on the cutting unit when wearing thick work gloves and exercising extreme care.

Ensure that all nuts, pins and screws (in particular the blade fastening screw) are securely tightened so that the machine is in a safe operating condition.

Check the complete machine and the grass catcher box for wear or damage on a regular basis, particularly before extended periods when the machine is not in use (e.g. over winter). For safety reasons, worn or damaged parts must be replaced immediately to ensure that the machine is always in a safe operating condition.

Components or guards that are removed for maintenance operations must be properly reinstalled immediately.

4.11 Storage for prolonged periods without operation

Store the cooled machine, the battery and the safety plug separately from each other in a dry and locked room that is inaccessible to children.

Ensure that the machine is protected from unauthorised use (e.g. by children).

Thoroughly clean the machine before storage (e.g. winter break).

Store the machine in good operational condition.

Store the machine on a level surface so that it cannot unintentionally roll away.

4.12 Disposal

Ensure that old machines (lawn mower, battery, charger, accessories) are properly disposed of. Render the lawn mower unusable prior to disposal. In order to

prevent accidents, ensure that you remove the safety plug and the electric cable from the switch to the motor.

Risk of injury due to the cutting tool!

Always store an old machine in a safe place prior to scrapping. Ensure that the machine and the cutting tool are kept out of the reach of children.

Batteries must be disposed of separately from the machine. Ensure that batteries are discharged prior to disposal (e.g. by running the motor) and that they are disposed of safely and in an environmentally friendly manner.

5. Description of symbols



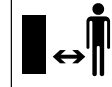
Caution!

Read the instruction manual before initial use.



Risk of injury!

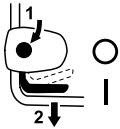
Keep other persons out of the danger area.



Caution – sharp cutting blades!

The cutting blades run on after the motor has been switched off. Remove the locking device (safety plug) before performing maintenance work.





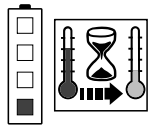
RMA 339:
Start the motor.



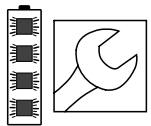
RMA 339 C:
Start the motor.



RMA 339 C:
Switch off the motor.

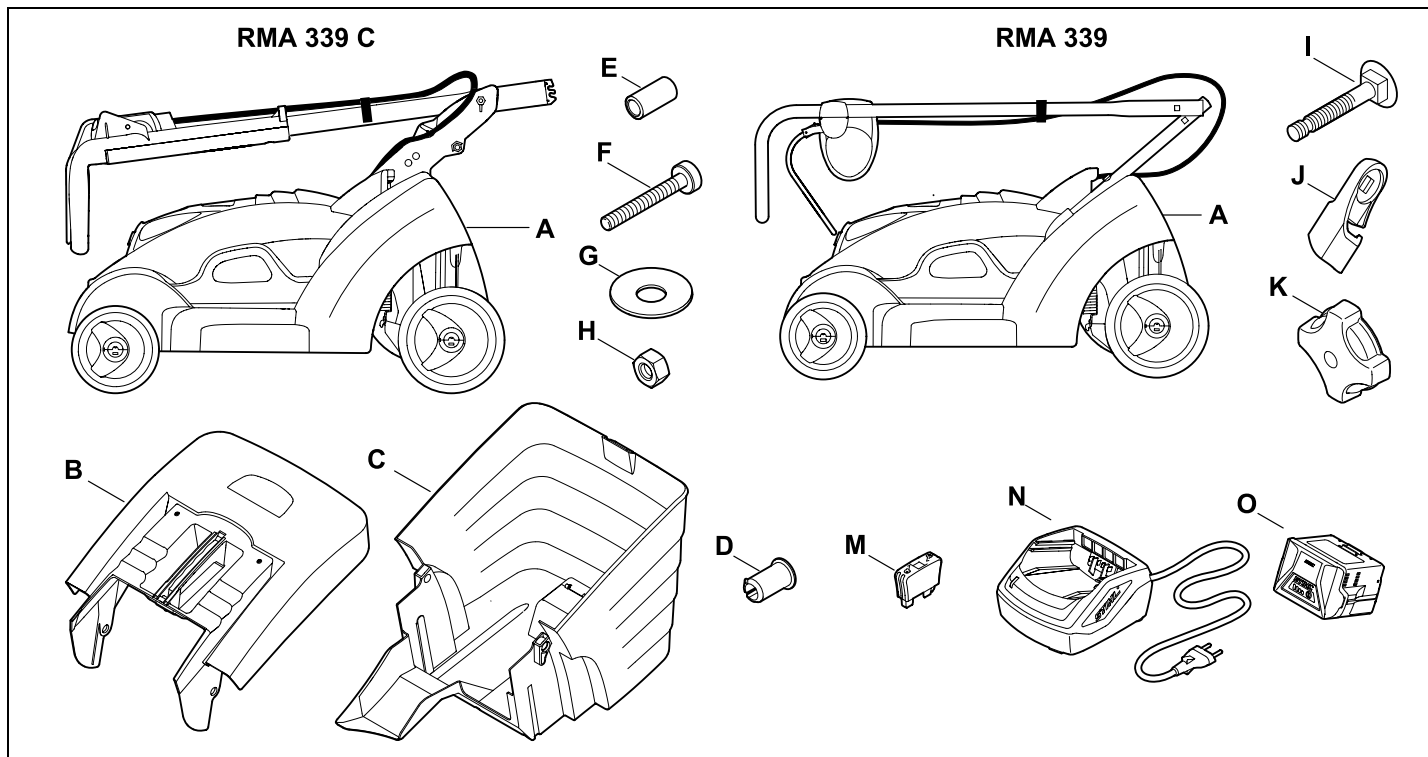


Battery is overheated.
Charging starts after the
cooling-down period or
the battery can only be
used after the cooling-
down period.



The battery is faulty and
must be replaced.

6. Standard equipment



Item	Designation	Qty.	RMA 339 C:		
A	Basic unit	1	E	Sleeve	1
B	Upper part of grass catcher box	1	F	Bolt	1
C	Lower part of grass catcher box	1	G	Washer	2
D	Stud	2	H	Nut	1
M	Safety plug	1	RMA 339:		
N	Charger		I	Flat head bolt	2
O	Battery		J	Cable guide	1
•	Instruction manual	1	K	Rotary handle	2



The standard equipment may vary depending on the country where sold and version type.

7. Preparing the machine for operation

7.1 General points



Risk of injury.

Observe the safety instructions in the section "For your safety" (⇒ 4.).



Remove the safety plug, particularly before performing any work on the lawn mower (⇒ 9.2).

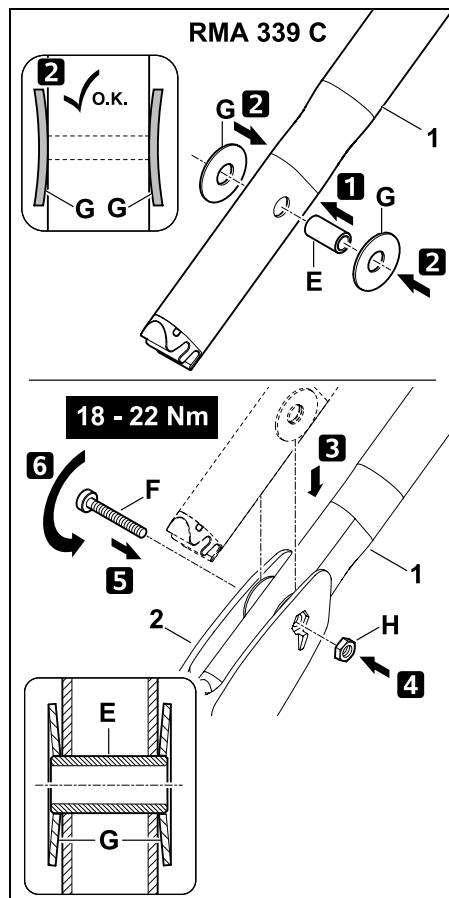
- Place the machine on level, firm ground when performing all the operations described.



The batteries are charged to approx. 30% on delivery. They must be therefore be charged before being used for the first time.

- Charging the battery (⇒ 8.4).

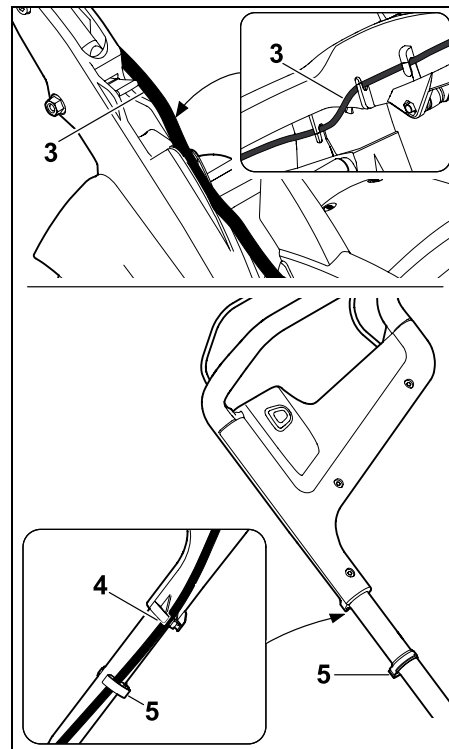
7.2 Installing the mono handlebar (RMA 339 C)



- **1** Insert sleeve (E) in the bore on handlebar (1).
- **2** Fit two washers (G) with the convex side facing inwards onto the sleeve.
- **3** Hold sleeve (E) and washers (G) and insert together with handlebar (1) into bracket (2).

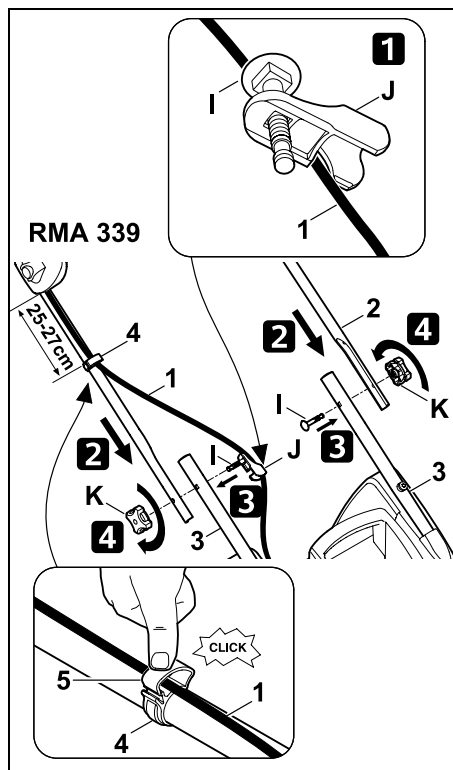
- **4** Insert nut (H) into the bracket as shown.
- **5** Insert bolt (F) from the outside inwards through the bores in handlebar (1) and in bracket (2).
- **6** Tighten bolt (F).
Tightening torque:
18 - 22 Nm

Installing the electric cable:



- Insert the electric cable as shown into cable guide (3),
- press into the holder on handlebar (4) and
- fasten to the handlebar using cable clip (5).

7.3 Installing the dual handlebar (RMA 339)



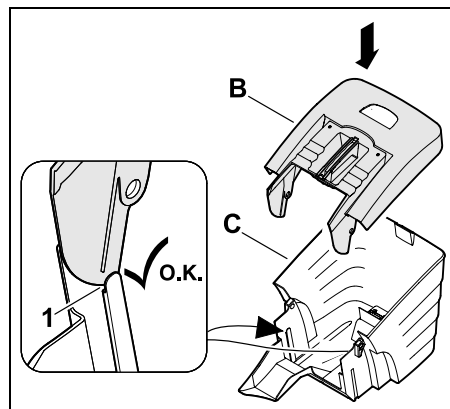
Installing the upper handlebar:

- **1** Insert flat head bolt (I) through cable guide (J) and attach electric cable (1).
- **2** Fit dual handlebar (2) onto both lower handlebar sections (3).
- **3** Insert flat head bolts (I) – on right with cable guide (J), on left without – through the bores from the inside outwards.
- **4** Tighten with rotary handles (K).

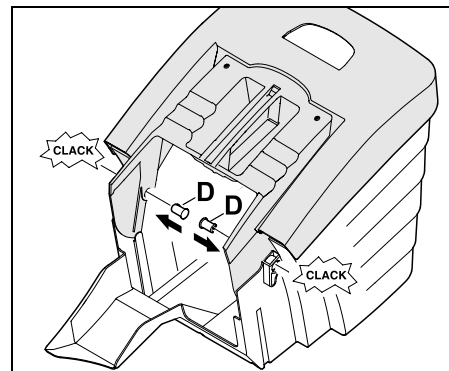
Installing cable clip:

- Install cable clip (4) on the upper handlebar. Insert electric cable (1) as shown.
- Close tab (5) and allow it to engage. Distance between the cable clip and switch: 25 - 27 cm

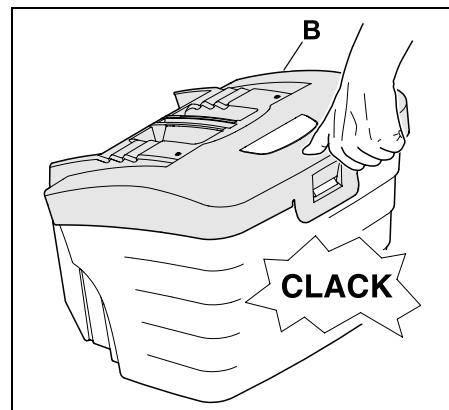
7.4 Assembling the grass catcher box



- Fit upper part of grass catcher box (B) onto lower part of grass catcher box (C). Ensure correct location in the guides.



- Push stud (D) through the bores provided from the inside.



- Allow upper part of grass catcher box (B) to engage in the lower part of the grass catcher box using slight pressure.
- Attach the grass catcher box (⇒ 9.7).

8. Battery and charger

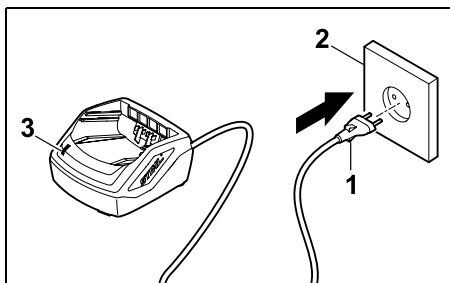
8.1 General

The **RMA 339, RMA 339 C** lawn mowers are operated with rechargeable **STIHL AK type lithium-ion batteries** only.

The batteries supplied are optimally adapted to the intended purpose, however, all STIHL AK type batteries can be used.

The lawn mower electronics exchange data with the installed battery and adapt the power of the electric motor to the relevant capacity.

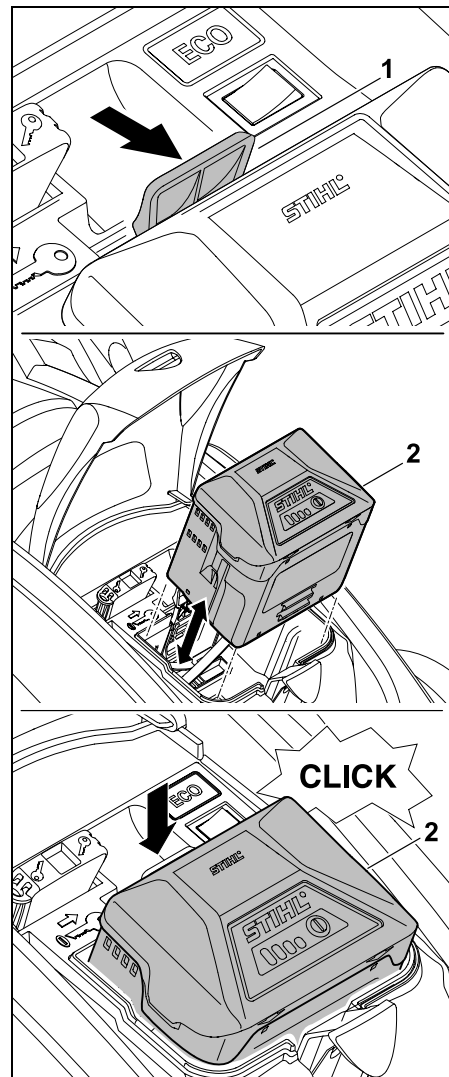
8.2 Connecting the charger to the mains



- Insert mains plug (1) in socket (2).
- After connection of the charger to the power supply, a self-test is performed. During this process, LED (3) on the charger illuminates green for approx. 1 second, then red and then extinguishes again (⇒ 8.6).

8.3 Removing/inserting the battery

- Remove the safety plug (⇒ 9.2) and hold the battery compartment cover in the open position.



Removing the battery:

- Push locking lever (1) towards the battery and remove battery (2) upwards.

Inserting the battery:

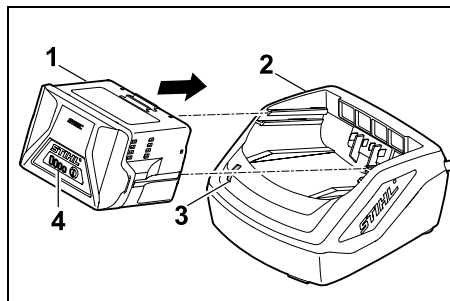
- Insert battery (2) as shown into the battery compartment as far as it will go applying slight pressure – a clicking sound will be heard.

8.4 Charging the battery

The **charging time** depends on various influencing factors such as e.g. the temperature of the battery and the ambient temperature. The actual charging time may differ from the specified charging time. Please refer to www.stihl.com/charging-times for charging times.

i Once the battery has been inserted in the charger, charging starts automatically. When the battery is fully charged, the charger switches off automatically.

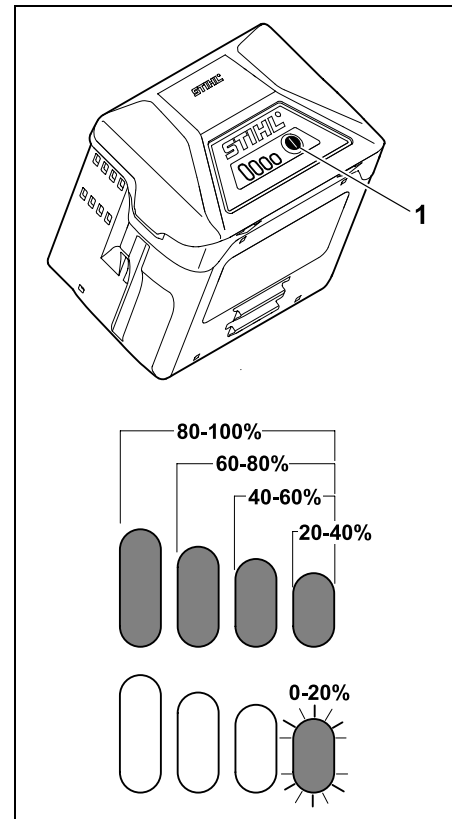
The battery and the charger heat up during charging.



- Remove the battery from the battery compartment. (⇒ 8.3)
- Connect the charger to the mains. (⇒ 8.2)

- Insert battery (1) into the guides on charger (2) and push it in as far as it will go. The LED on charger (3) illuminates green. The LEDs on battery (4) illuminate green to indicate the charge state.
- When the LED on charger (3) and the LEDs on battery (4) no longer illuminate, remove the mains plug from the socket. The battery is fully charged.
- Remove the battery from the charger and insert it in the battery compartment. (⇒ 8.3)

8.5 LEDs on the battery



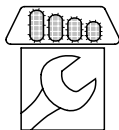
Displaying the charge state:

- Press button (1). The LEDs illuminate green for approx. 5 seconds to indicate the charge state.
- If the right LED flashes green, charge the battery. (⇒ 8.4)

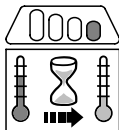
Faults:

The LEDs indicate lawn mower or battery faults. They can illuminate or flash red for this purpose.

4 LEDs flash red:
The battery is faulty.



1 LED illuminates red:
The battery is too warm or too cold.



3 LEDs illuminate red:
The lawn mower is overheated

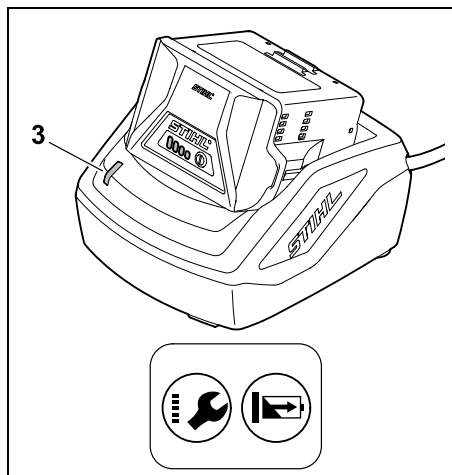


3 LEDs flash red:
The lawn mower is faulty.



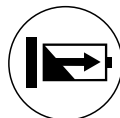
- Remedy the faults. (⇒ 19.)

8.6 LED on the charger



LED (3) indicates the charger status. It can illuminate green or flash red.

The LED illuminates green and the LEDs on the battery illuminate or flash green:
The battery is charging.



The LED flashes red:
There is no electrical contact between the battery and the charger, or there is a fault in the battery or in the charger.



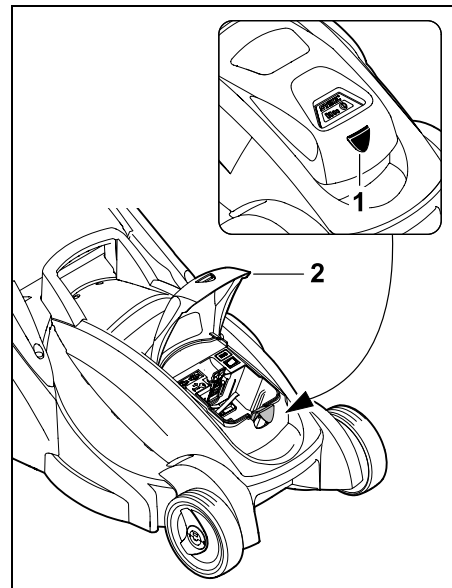
If the LED illuminates green and 1 LED on the battery illuminates red, the battery is too warm or too cold.

- Remedy the faults. (⇒ 19.)

9. Controls

9.1 Battery compartment

i The battery compartment must always remain closed during operation.



Opening the battery compartment:

- Press in retaining tab (1) slightly and open cover (2) rearwards.

Closing the battery compartment:

- Fold down cover (2) and ensure that retaining tab (1) engages.

9.2 Safety plug

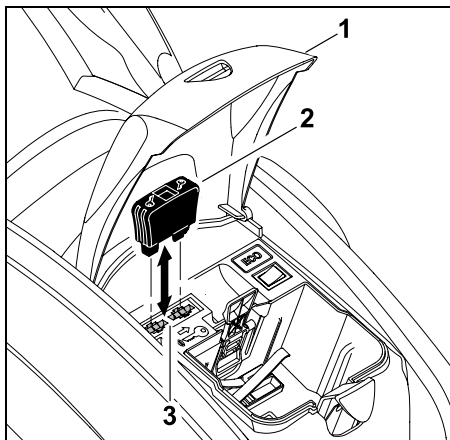
The lawn mower can only be operated when the safety plug is inserted in the socket behind the battery compartment.



Risk of injury!

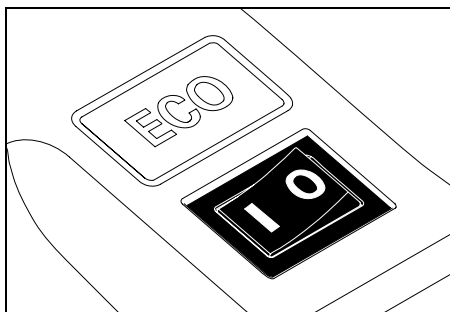
The safety plug must be removed prior to performing any work on the machine, particularly before transport, maintenance or cleaning work as well as before inspecting the machine. (⇒ 4.)





- Lift up battery compartment cover (1) at the front and hold in the open position. (⇒ 9.1)
- **Removing:**
Remove safety plug (2) from socket (3) and keep separately from the lawn mower.
- **Inserting:**
Press safety plug (2) into socket (3) as far as it will go.
- Close battery compartment cover (1).

9.3 Eco mode switch



The eco mode switch that increases battery running time is located in the battery compartment. (⇒ 10.2)

Switching on eco mode:

- Move switch to position I.

Switching off eco mode:

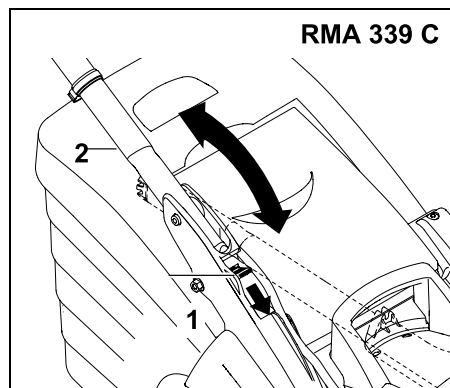
- Move switch to position 0.

9.4 Adjusting the mono handlebar (RMA 339 C)



Danger of pinching!

When operating the detent lever, always hold the upper handlebar at its highest point with one hand. Never place your fingers between the handlebar and bracket (above and below the detent lever).



Folding down the handlebar:

Transport position (for cleaning, for space-saving transport and for storage of the machine):

- Hold upper handlebar (2) at its highest point with one hand and lift (relieve load) slightly.

- Press detent lever (1) downwards and hold.
- Fold handlebar (2) down forwards, ensuring that the electric cable is not damaged.

Working position (to push machine):

- Fold handlebar (2) up rearwards and ensure that the handlebar is fully engaged.

Height adjustment:

The height of the mono handlebar can be adjusted to 2 levels:

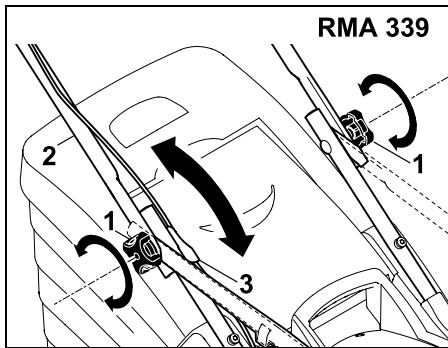
- Hold upper handlebar (2) at its highest point with one hand and lift (relieve load) slightly.
- Press detent lever (1) downwards and hold.
- Move handlebar (2) into the required position.
- Release detent lever (1) and ensure that the handlebar is again fully engaged.

9.5 Folding down the dual handlebar (RMA 339)



Danger of pinching!

The upper handlebar can fold down when the rotary handles are released. Therefore hold the upper handlebar with one hand at its highest point when unscrewing the rotary handles.



Transport position (for cleaning, for space-saving transport and for storage of the machine):

- Loosen rotary handles (1) until they turn freely.
- Fold down upper handlebar (2) forwards.

Working position (to push machine):

- Fold up upper handlebar (2) rearwards and hold with one hand.
- Tighten rotary handles (1). Ensure correct position of cable guide (3).

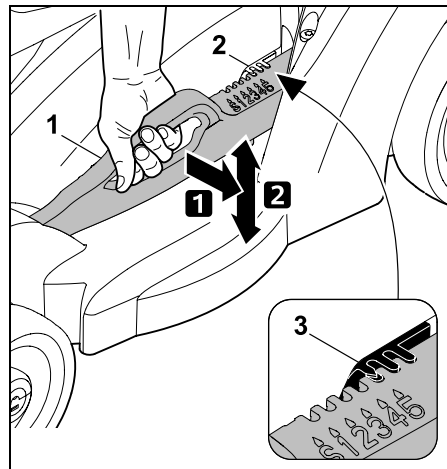
9.6 Central cutting height adjustment

Six cutting heights can be selected.

Level S = 20 mm

Level 5 = 70 mm

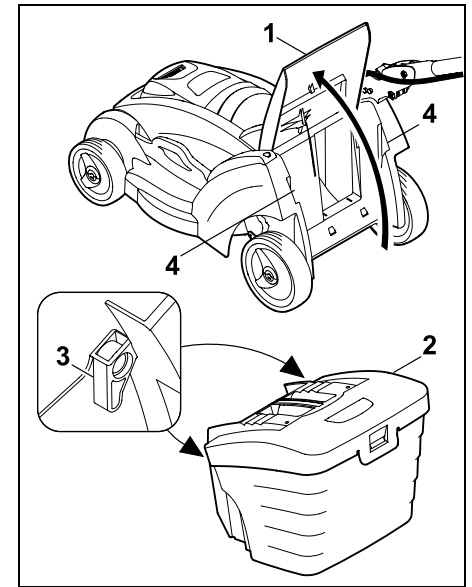
i In order to prevent damage, the lowest cutting height must only be used on even lawns (without bumps).



Setting the cutting height:

- **1** Push height adjustment lever (1) away from the lawn mower slightly until the lever is released from locating lugs (2).
- **2** Raise or lower the lawn mower.
Increasing the cutting height: Raise the lawn mower using height adjustment lever (1) (push lever forwards).
Decreasing the cutting height: Lower lawn mower using height adjustment lever (1) (push lever rearwards).
- Push height adjustment lever (1) towards the lawn mower slightly until locating lugs (2) engage in the lever. The selected cutting height can be read off at front locating lug (3).

9.7 Grass catcher box



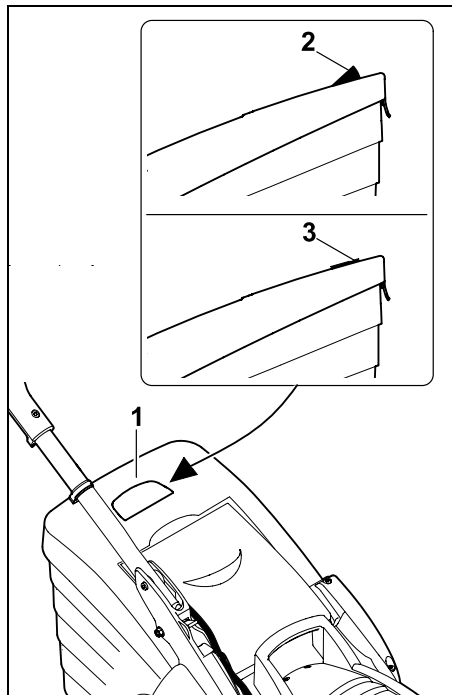
Attaching:

- Open discharge flap (1) and hold it open.
- Attach grass catcher box (2) to mountings (4) on the rear of the machine by means of locating lugs (3).
- Close discharge flap (1).

Detaching:

- Open discharge flap (1) and hold it open.
- Lift grass catcher box (2) and remove rearwards.
- Close discharge flap (1).

9.8 Level indicator



The upper part of the grass catcher box features a level indicator (1).

The flow of air that is created by the rotary movement of the mowing blade and is responsible for filling the grass catcher box raises level indicator (2):

The grass catcher box is filled with clippings.

When the grass catcher box is full, this flow of air is reduced and level indicator (3) drops:

- Empty the filled grass catcher box (⇒ 12.4).

10. Notes on working with the machine

10.1 General

To ensure a perfect, thick lawn, mow regularly and keep the grass short.

Do not cut the lawn too short in hot, dry conditions as it will dry out or burn in the sun and become unsightly.

The cutting pattern will be better with a sharp blade than with a blunt one; the blade should therefore be sharpened regularly (STIHL specialist dealer).

10.2 Cutting performance

The cutting performance (battery running time) depends on the quality of the grass and the selected cutting height. The cutting performance is enhanced by the following measures:

- Mowing the lawn more frequently
- Increasing the cutting height
- Reducing speed of propulsion
- Allowing the lawn to dry before mowing.

If required, additional STIHL lithium ion batteries can be purchased (special accessories).

Eco mode:

The lawn mower features an **eco mode**, which improves its energy efficiency and therefore its cutting performance.

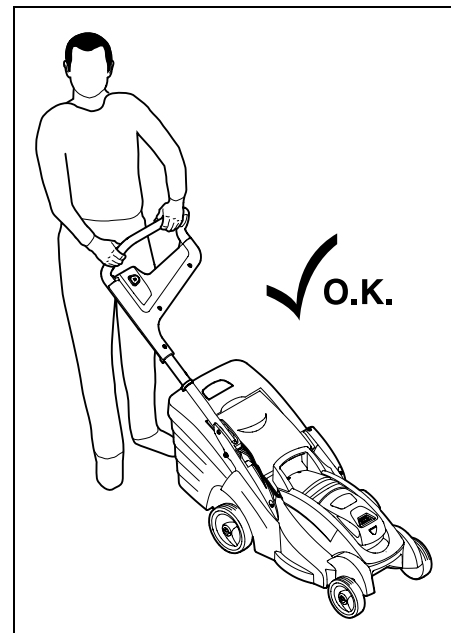
ECO

Eco mode can be switched on and off using the switch in the battery compartment. (⇒ 9.3)

Function:

The speed of the motor is reduced automatically when less power is required. If more power is required, the speed is increased again within a fraction of a second.

10.3 Working area for operator



- For safety reasons, the operator must stay within the working area behind the handlebar when the motor is running. Always observe the safety distance provided by the handlebar.
- The lawn mower must only be operated by one person. Other persons must keep out of the danger area. (⇒ 4.)

10.4 Correct motor load

Do not switch the lawn mower on in tall grass. Select a higher cutting height setting if the motor is difficult to start.

The lawn mower load must never cause the motor speed to drop significantly.

If the speed drops when mowing tall grass, select a higher cutting height setting and/or reduce the speed of propulsion.



When eco mode is switched on, the speed is reduced automatically when less power is required. (⇒ 10.2)

10.5 If the mowing blade blocks

Switch off the motor immediately and disconnect the safety plug. Then eliminate the cause of the fault.

10.6 Thermal motor overload protection

The electronics switch off the motor if it becomes overloaded during operation. Three red LEDs in the battery illuminate if a thermal overload occurs. (⇒ 8.5)

Causes for an overload:

- blunt mowing blade
- mowing excessively high grass or cutting height adjusted too low
- excessive rate of feed
- inadequate cleaning of the cooling air guide (inlet slots)

Recommencing operation

Resume normal operation of the machine following a cooling period of up to 10 min (depending on the ambient temperature). (⇒ 12.)

11. Safety devices

The machine is equipped with several safety devices for safe operation and for the prevention of improper use.



Risk of injury!

If a safety device is found to be defective, the machine must not be operated. Consult a specialist dealer; STIHL recommends STIHL specialist dealers.

11.1 Safety plug

The motor can only be switched on when the safety plug is inserted (⇒ 9.2).

11.2 Safety devices

The lawn mower is equipped with safety devices, which prevent inadvertent contact with the mowing blade and with ejected clippings.

These include the housing, discharge flap, grass catcher box and correctly installed handlebar.

11.3 Two-hand operation

The motor can only be switched on by pressing and holding the ON button with the right hand and then pulling the motorstop lever to the handlebar with the left hand.

11.4 Motor run-down brake

When the motorstop lever is released, the mowing blade comes to a complete standstill in less than three seconds.

An integrated motor run-down brake shortens the run-down time until the blade stops.

Measuring run-down time

Following motor start-up, the blade rotates and a wind noise is audible. The run-down time corresponds to the duration of the wind noise after the motor stops. This can be measured using a stopwatch.

12. Operating the machine

12.1 Preparatory measures



Risk of injury!

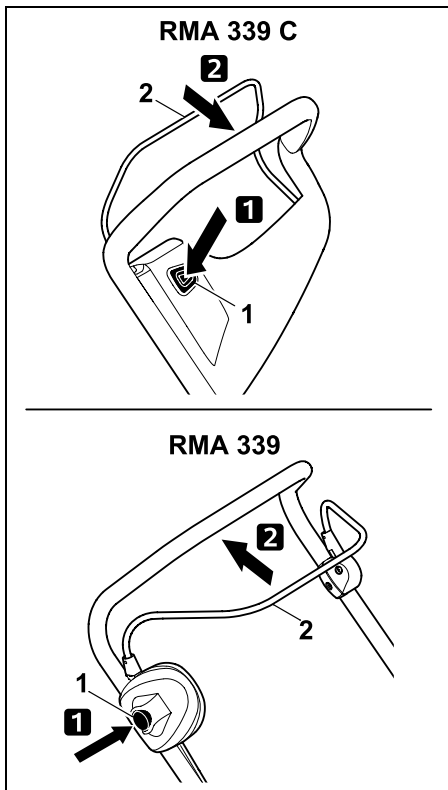
Observe the safety instructions in the section "For your safety". (⇒ 4.)

- Charge the battery and insert it into the battery compartment. (⇒ 8.4)
- Insert the safety plug. (⇒ 9.2)

12.2 Switching the lawn mower on

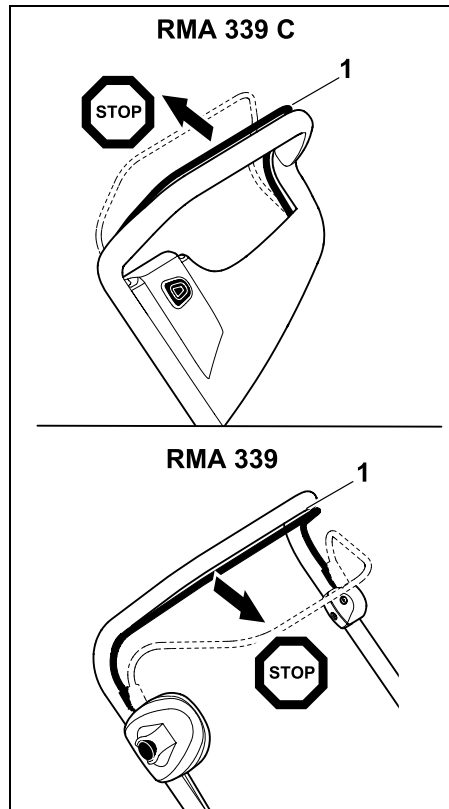


Do not switch the lawn mower on in tall grass. Select a higher cutting height setting if the motor is difficult to start.



- **1** Press and hold ON button (1).
- **2** Pull motorstop lever (2) to the handlebar and hold.
- ON button (1) can be released once motorstop lever (2) is pulled.

12.3 Switching the lawn mower off



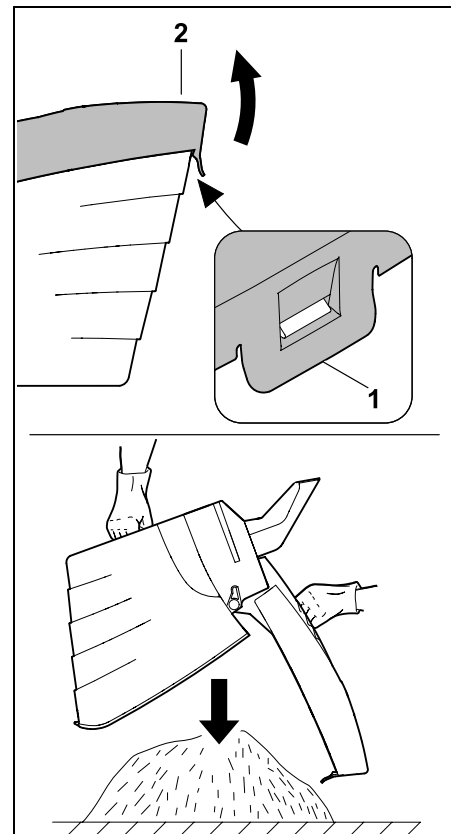
- Release motorstop lever (1). Motor and mowing blade come to a stop after a short run-down time.

12.4 Emptying the grass catcher box



Risk of injury!

The motor must be stopped for safety reasons before removing the grass catcher box.



- Detach the grass catcher box. (⇒ 9.7)
- Open the grass catcher box at tab (1). Fold up upper part of grass catcher box (2) and hold. Fold the grass catcher box rearwards and empty the clippings.
- Close the grass catcher box.
- Attach the grass catcher box. (⇒ 9.7)

13. Maintenance

13.1 General



Risk of injury!

Observe the safety instructions in the section "For your safety" (⇒ 4.).



Remove the safety plug, particularly before performing any work on the lawn mower (⇒ 9.2).

Annual service by the specialist dealer:

The lawn mower should be inspected once annually by a specialist dealer. STIHL recommends STIHL specialist dealers.

13.2 Cleaning the machine

Maintenance interval: After each use

Treating the machine carefully will protect it against damage and extend its service life.

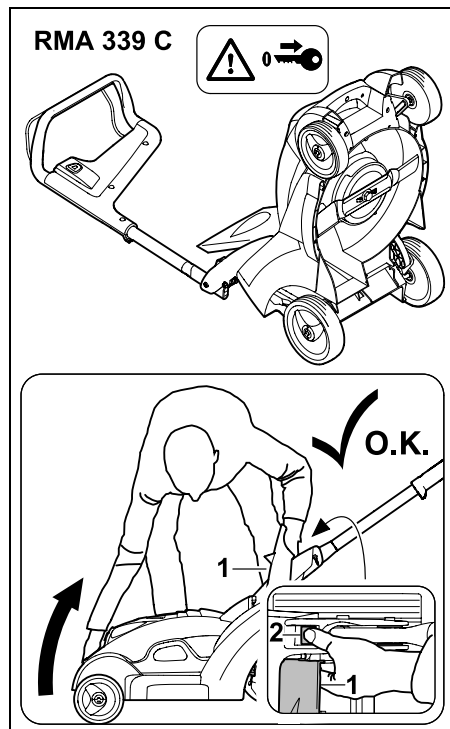
- Remove the battery (⇒ 8.3)
- Detach the grass catcher box (⇒ 9.7)



Risk of injury!

Before tilting the mower, place it on firm, level, flat ground. The machine may tip over when working on it in the cleaning position. Always stand to the side of the machine. Never work in front of or behind the mower.

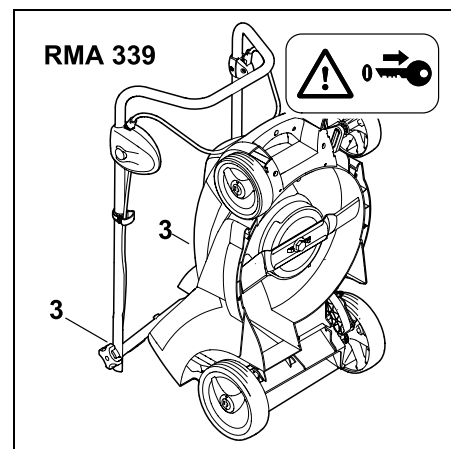
Cleaning position RMA 339 C:



- Stand to the right of the machine to tilt it upwards.
- Set the upper handlebar to the lowest position (as far as the stop, the detent lever does not engage in this position). (⇒ 9.4)
- Open discharge flap (1) with your right hand and hold it open.
- Hold the bracket with your left hand as shown and hold the discharge flap open. At the same time, press detent lever (2) with your thumb and hold it down.

- Hold the machine with your right hand on the front handle and tilt it rearwards slowly until the handlebar is in contact with the ground as shown.
- Release discharge flap (1) and detent lever (2) and check that the machine is stable.

Cleaning position RMA 339:



- Fold down the dual handlebar (⇒ 9.5)
- Tilt the lawn mower upwards and set down on lower handlebars (3).

Notes on cleaning:

- Clean off dirt using little water, with a brush or with a cloth. In particular, also clean the mowing blade. Never spray water on motor components, seals, bearing points or electrical components such as batteries or switches.
- First, remove accumulated clippings using a stick.
- Remove dirt from the cooling air guide (inlet slots) between the motor hood and the lower housing to ensure that the motor is adequately cooled.

- If necessary, use a special cleaner (e.g. STIHL special cleaner).

13.3 Electric motor and wheels

The electric motor is maintenance-free.

The wheel bearings are maintenance-free.

13.4 Battery

Maintenance interval:
Before each use

- Clean the battery with a damp cloth.
- Visually check that the battery is undamaged. Batteries with identifiable damage (e.g. cracks or escaping fluid), must not be used.

13.5 Charger

Maintenance interval:
Before each use

- Remove mains plug from socket.
- Clean the charger with a damp cloth.
- Clean the electric contacts in the charger with a paintbrush or a soft brush.
- Observe the instructions in the charger instruction manual.

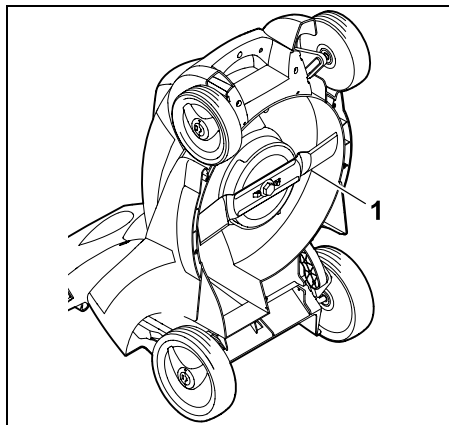
13.6 Checking blade wear

Maintenance interval:
Before each use

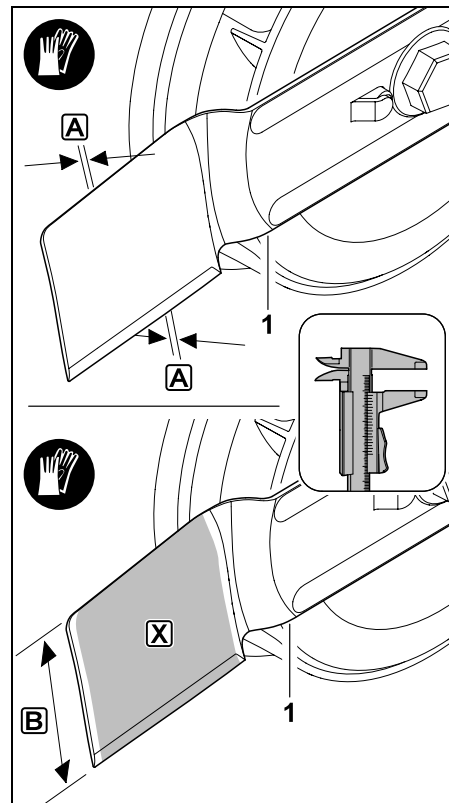


Risk of injury!

Blades are subjected to differing degrees of wear depending on the location and duration of use. If you use the machine on sandy ground or use it frequently under dry conditions, the blade will be subjected to greater loads and will wear more quickly than average. A worn blade may break off and cause serious injuries. The instructions for blade maintenance must therefore always be observed.



- Set the lawn mower onto its back in the cleaning position. (⇒ 13.2)
- Clean mowing blade (1).



- Use a slide calliper to measure the blade thickness **A** at 5 points at least. In particular, minimum thickness must also be ensured in the area of the blade wings.
- Check the blade width **B** in the area marked in grey **X** at 3 points at least using a slide calliper.

Wear limits:

Blade thickness **A**: **1,6 mm**

Blade width **B**: **56 mm**

The blade must be replaced

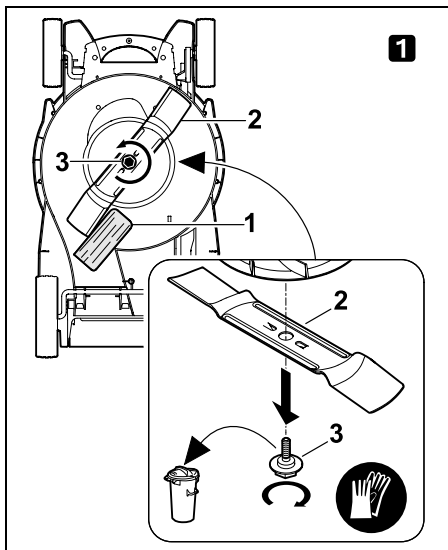
- if it is damaged (notches, cracks),

- if the measured values are achieved at one or more places or are outside the permissible limits.

13.7 Removing and installing the mowing blade

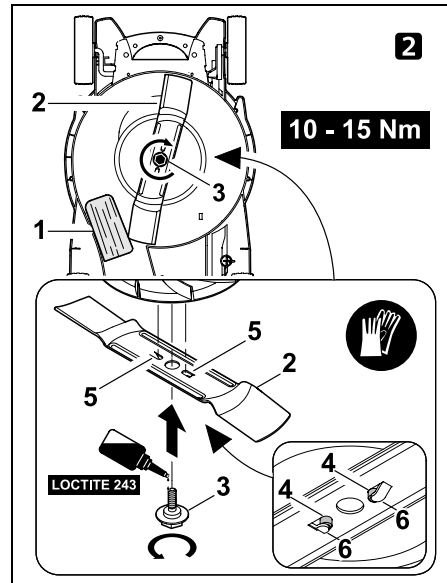
i In order to prevent damage to the blade fastening screw, use a suitable socket (22 mm) for loosening and tightening.

1 Removing:



- Use a suitable wooden block (1) to hold mowing blade (2) in place.
- Unscrew blade fastening screw (3) and remove mowing blade (2).

2 Installing:



! Risk of injury!
The mowing blade must only be installed as shown, in particular tabs (6) must point downwards. Always replace blade fastening screw (3) when replacing the mowing blade. The specified torque when tightening the blade fastening screw must be strictly observed, as the secure attachment of the cutting tool depends on this.

- Clean the blade contact surface and blade bushing.
- Install mowing blade (2) with the curved wings pointing upwards. Locating lugs (4) must be located in recesses (5) of the mowing blade.
- Use a suitable wooden block (1) to hold mowing blade (2) in place.

- Apply **Loctite 243** to the thread of blade fastening screw (3).
- Tighten blade fastening screw (3). Tightening torque:
10 - 15 Nm

13.8 Sharpening the mowing blade

If you do not have the necessary expertise or auxiliary equipment, you should have the blade sharpened by a specialist dealer (STIHL recommends STIHL specialist dealers).

Operation of the machine is impaired in the case of an incorrectly sharpened mowing blade (incorrect sharpening angle, imbalance, etc.), the cutting performance (battery running time) may be reduced and the noise emissions increased.

Sharpening instructions

- Remove the mowing blade. (⇒ 13.7)
- Cool the mowing blade during sharpening, e.g. with water. The blade must not be allowed to display blue colouring, as this would reduce its cutting quality.
- Sharpen blades evenly to prevent vibration due to imbalance.
- Observe a sharpening angle of **30°**.
- Observe the wear limits. (⇒ 13.6)

13.9 Storage (winter break)

Store the machine in a dry and locked place that is generally free of dust. Make sure that it is kept out of the reach of children.

Only store the lawn mower in good operating condition, fold down the handlebar if necessary.

Keep all nuts, pins and bolts tightly fastened, replace danger signs and warnings on the machine that have become illegible, check the entire machine for wear and damage. Replace all worn or damaged parts.

Any machine faults must be completely remedied prior to storage.

Note the following points when storing the lawn mower for long periods (winter break):

- Clean all external parts of the machine with care.
- Thoroughly lubricate/grease all moving parts.

Storing the battery:

- Remove battery from the battery compartment or out of the charger.
- Clean the battery.
- Store the battery in a dry locked place that is generally free of dust in electrically non-conductive packaging. Ensure that batteries are protected from unauthorised use (e.g. by children).
- Do not store spare batteries unused – use batteries alternately.
- For optimum battery service life, observe the permissible temperature range (⇒ 18.1) and store the battery at a charge state between 20% and 40% (2 LEDs illuminated green).

Storing the charger:

- Remove the battery and remove the mains plug from the socket.
- Clean the charger.

- Store the charger separately from the battery in a dry, locked and dust-free room. Ensure that it is protected from unauthorised use (e.g. by children). Do not suspend the charger from the electric cable.

14. Transport

14.1 Carrying and securing the lawn mower



Risk of injury!

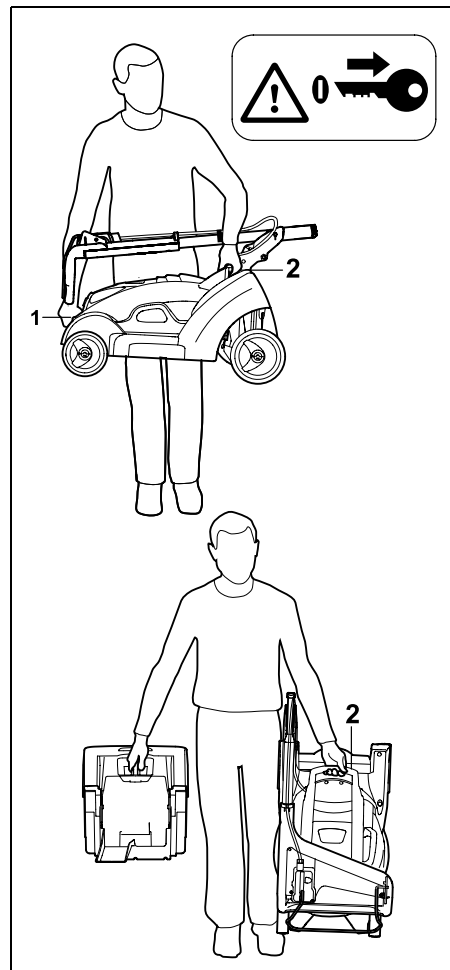
Observe the safety instructions in the section "For your safety" (⇒ 4.).



Remove the safety plug, particularly before performing any work on the lawn mower (⇒ 9.2).

Exercise special care when transporting lithium ion batteries (⇒ 4.3).

Carrying the machine:



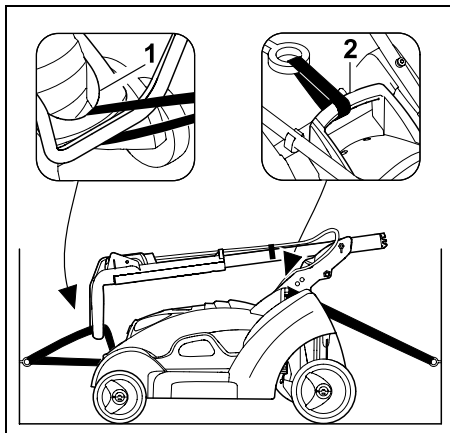
- Only lift the lawn mower by transport handles (1, 2). Always ensure sufficient distance between the mowing blade and your body, particularly your feet and legs.

- Carry the lawn mower using both hands, with one hand at upper transport handle (2) and the other hand at lower transport handle (1),

or

- carry the lawn mower with one hand at upper transport handle (2).

Securing (lashing) the machine:



- Secure the lawn mower on the load floor using suitable fastening materials.
- Attach ropes or straps at handles (1, 2).

14.2 Transporting the battery

- Before transport, it must be ensured that the battery is in good operating condition. (⇒ 4.3)
- Transport the battery either in the machine or in appropriate safe packaging.
- Observe the instructions in the "For your Safety – Transporting the battery". (⇒ 4.7)

The battery is subject to the requirements for transporting hazardous goods. The battery is classed as a UN 3480 (lithium-ion battery) and has been tested in accordance with the UN Manual of Tests and Criteria, Part III, subsection 38.3.

Please refer to www.stihl.com/safety-data-sheets for transport instructions.

15. Minimising wear and preventing damage

Important information on maintenance and care of the product group

Lawn mower, manually operated and battery-powered (STIHL RMA)

STIHL assumes no liability for material or personal damage caused by the non-observance of information contained in the operating instructions, in particular with regard to safety, operation and maintenance, or which arise through the use of unauthorised attachment or spare parts.

Please always observe the following important information for the prevention of damage or excessive wear to your STIHL machine:

1. Wearing parts

Some parts of the STIHL machine are subject to normal wear even when used properly and must be replaced in due time depending on type and duration of use.

These include:

- Blade
- Grass catcher box
- Battery

2. Compliance with the information in this instruction manual

The STIHL machine must be used, maintained and stored with the care described in this instruction manual. Any damage caused by non-compliance with the safety, operating and maintenance instructions is the sole responsibility of the user.

This applies in particular to:

- Incorrect electrical connection (voltage).
- Product modifications not approved by STIHL.
- The use of tools or accessories which are not approved or suitable for the machine, or are of inferior quality.
- Improper use of the product.
- Use of the product for sporting or competitive events.
- Resultant damage due to continued use of the product with defective components.

3. Maintenance operations

All operations listed in the section "Maintenance" must be performed regularly.

If these maintenance operations cannot be carried out by the user, a specialist dealer must be commissioned to perform them.

STIHL recommends that you have maintenance operations and repairs performed exclusively by a STIHL specialist dealer.

STIHL specialist dealers regularly attend training courses and are provided with technical information.

If these operations are neglected, faults may arise which are the responsibility of the user.

These include:

- damage to the drive motor as a result of inadequate cleaning of the cooling air guide (inlet slots),
- corrosive and other resultant damage caused by incorrect storage,
- damage to the machine through the use of inferior-quality spare parts,
- damage due to untimely or inadequate maintenance or damage due to maintenance or repair work not performed in the workshops of specialist dealers.

16. Environmental protection



Lawn clippings should be composted and not disposed of in household waste.

The machine, its packaging and accessories are all produced from recyclable materials and must be disposed of accordingly.

By disposing of materials separately, and in an environmentally friendly manner, valuable resources can be re-used. For this reason, the machine should be disposed of for recycling at the end of its useful life. Pay particular attention to the information in the "Disposal" section during disposal (⇒ 4.12).

Consult your recycling centre or your specialist dealer for information on the proper disposal of waste products.



Always dispose of batteries properly – observe local regulations. Do not dispose of batteries with domestic waste, but hand it in to a specialist

dealer or at a hazardous waste collection point.

17. Standard spare parts

Mowing blade:
6320 702 0130

Blade fastening screw:
6310 710 2800



The blade fastening screw must be renewed each time the blade is replaced. Spare parts are available from a STIHL specialist dealer.

18. Technical specifications

RMA 339.0, RMA 339.0 C

Serial number	6320
Type	EC motor
Voltage	36 V
Power input	900 W
Protection class	III
Type of protection	IPX 1
Cutting utilities	Cutter bars
Cutting width	37 cm
Speed of cutting utilities	3350 rpm
Cutter bar drive	Permanent
Tightening torque for blade fastening screw	10 - 15 Nm
Cutting height	20 - 70 mm
Grass catcher box	40 l

RMA 339.0, RMA 339.0 C

Wheel diameter (front)	150 mm
Wheel diameter (rear)	180 mm

Sound emissions:

In accordance with Directive 2000/14/EC:

Guaranteed sound power level L_{WAd}	90 dB(A)
--	----------

In accordance with Directive 2006/42/EC:

Sound pressure level at workplace L_{pA}	76 dB(A)
Uncertainty K_{pA}	2 dB(A)

RMA 339.0

Length	122 cm
Width	42 cm
Height	107 cm
Weight (without battery)	14 kg

Hand-arm vibrations:

Specified vibration characteristic in accordance with EN 12096:

Measured value a_{hw}	1,60 m/sec ²
Uncertainty K_{hw}	0,80 m/sec ²
Measurement in accordance with EN 20643	

RMA 339.0 C

Length	135 cm
Width	43 cm
Height	110 cm
Weight (without battery)	16 kg

Hand-arm vibrations:

Specified vibration characteristic in accordance with EN 12096:

Measured value a_{hw}	1,60 m/sec ²
Uncertainty K_{hw}	0,80 m/sec ²

RMA 339.0 C

Measurement in accordance with
EN 20643

18.1 STIHL AK battery

Battery technology	Lithium-ion
Voltage	36 V
Capacity in Ah	See rating plate
Energy content in Wh	See rating plate
Weight in kg	See rating plate
Permissible temperature range	-10°C to +50°C



This symbol indicates the number of cells and the energy content according to the cell manufacturer's specifications. The available energy content is lower in practice.

18.2 STIHL charger AL 101

Rated voltage	220-240 V, 50-60 Hz
Nominal output	75 W
Charge current	1.5 A
Permissible temperature range	+5°C to +40°C



Protection class II. The charger housing features double insulation to the connected mains.

Please refer to www.stihl.com/charging-times for charging times.

19. Troubleshooting

✘ If necessary, contact a specialist dealer; STIHL recommends STIHL specialist dealers.

Fault:

Motor not starting

Possible cause:

- Battery charge state too low – 1 LED flashes green on battery
- Battery too cold/too warm – 1 LED illuminates red on battery
- Battery fault – 4 LEDs flash red on battery
- Lawn mower is too warm – 3 LEDs illuminate red on battery
- Lawn mower fault – 3 LEDs flash red on battery
- ON button not pressed
- Safety plug is not inserted
- Electrical connection interrupted between lawn mower and battery
- Motor is overloaded because grass is too tall or too wet
- Humidity in machine and/or battery
- Mower housing is blocked
- Fuse in safety plug is defective

Remedy:

- Recharge battery (⇒ 8.4)
- Warm up battery or allow it to cool down
- Remove and re-insert battery; consult specialist dealer if necessary (✘)
- Allow lawn mower to cool down
- Clean electric contacts in battery compartment (⇒ 13.2); consult specialist dealer if necessary (✘)
- Press ON button (⇒ 12.2)
- Insert safety plug (⇒ 9.2)

- Insert battery correctly (⇒ 8.3); clean electric contacts in battery compartment (⇒ 13.2)
- Do not switch on motor in high grass, adapt cutting height (⇒ 9.6)
- Remove battery and dry; clean and/or dry battery compartment (⇒ 8.3)
- Clean mower housing (⇒ 13.2)
- Replace safety plug (✘)

Fault:

Motor stops during operation

Possible cause:

- lawn mower overheated – 3 LEDs illuminate red on battery
- Electrical fault
- Safety plug incorrectly inserted
- Machine overloaded due to mowing grass that is too long or too wet
- Lawn mower fault

Remedy:

- Allow lawn mower to cool down
- Remove and re-insert battery (⇒ 8.3)
- Insert safety plug (⇒ 9.2)
- Adapt cutting height and mowing speed to mowing conditions (⇒ 9.6)
- Repair lawn mower (✘)

Fault:

Excessive vibration during operation

Possible cause:

- Blade fastening screw is loose
- Blade is not balanced

Remedy:

- Tighten blade fastening screw (⇒ 13.7)
- Re-sharpen (balance) or replace blade (⇒ 13.8)

Fault:

Poor cut, lawn turning yellow

Possible cause:

- Mowing blade is blunt or worn,
- Rate of feed is too high in relation to the cutting height

Remedy:

- Re-sharpen or replace mowing blade (⇒ 13.8)
- Reduce rate of feed and/or select correct cutting height (⇒ 9.6)

Fault:

Problems switching machine on or deteriorating motor power.

Possible cause:

- Battery discharged
- Mowing grass that is too long or too wet
- Mower housing is blocked
- Mowing blades are blunt or worn

Remedy:

- Recharge battery (⇒ 8.4)
- Adapt cutting height and mowing speed to mowing conditions (⇒ 9.6)
- Clean mower housing (⇒ 13.2)
- Re-sharpen or replace mowing blade (⇒ 13.8)

Fault:

Machine not switching to eco mode

Possible cause:

- Mower housing is blocked
- Mowing blade is blunt, worn or damaged

Remedy:

- Clean mower housing (⇒ 13.2)
- Re-sharpen or replace mowing blade (⇒ 13.7)

Fault:

Discharge chute blocked

Possible cause:

- Mowing blade is worn
- Mowing grass which is too long or too wet

Remedy:

- Replace mowing blade (⇒ 13.8)
- Adapt cutting height and mowing speed to mowing conditions (⇒ 9.6)

Fault:

Operating time too short

Possible cause:

- Battery not fully charged
- Mowing grass that is too long or too wet
- Mower housing is blocked
- Mowing blades are blunt or worn
- Battery has exceeded service life

Remedy:

- Recharge battery (⇒ 8.4)
- Adapt cutting height and mowing speed to mowing conditions (⇒ 9.6)
- Clean mower housing (⇒ 13.2)
- Re-sharpen or replace mowing blade (⇒ 13.8)
- Replace battery (✘)

Fault:

Battery gets stuck when inserting into battery compartment

Possible cause:

- Guides or electric contacts in battery compartment dirty

Remedy:

- Clean guides and/or electric contacts in battery compartment (⇒ 13.2)

Fault:

Battery is not charged although the green LED on the charger illuminates green

Possible cause:

- Battery too cold or overheated (one red LED illuminates on battery)

Remedy:

- Warm up or cool down the battery (⇒ 8.4). Store the charger in a closed, dry place at a temperature of between +5°C and +40°C.

Fault:

Charging fails to start after inserting battery into charger

Possible cause:

- Battery too cold/too warm – 1 LED illuminates red on battery
- No electrical contact between charger and battery
- Charger power supply faulty

Remedy:

- Leave battery inserted in charger. Charging starts automatically as soon as permissible temperature range is reached.
- Remove and re-insert battery (⇒ 8.3)
- Connect charger to mains (⇒ 8.2)
- Check mains power supply
- Check charger, replace if necessary (✘)

Fault:

Battery is not charged, no LED illuminates

Possible cause:

- No electrical contact between charger and battery

- Charger power supply faulty

Remedy:

- Remove battery from battery compartment and reinsert (⇒ 8.3)
- Connect charger to the mains (⇒ 8.2)
- Check mains power supply
- Check charger, replace if necessary (✖)

Fault:

LED on charger flashes red

Possible cause:

- No electrical contact between charger and battery
- Battery defective (4 LEDs on the battery flash red for approx. 5 seconds)
- Charger defective

Remedy:

- Remove battery from battery compartment and reinsert (⇒ 8.3)
- Check battery, replace if necessary (✖)
- Check charger, replace if necessary (✖)


20. Service schedule

20.1 Handover confirmation

Model: _____

Serial number:

Date:



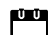
Next service


Date:

20.2 Service confirmation



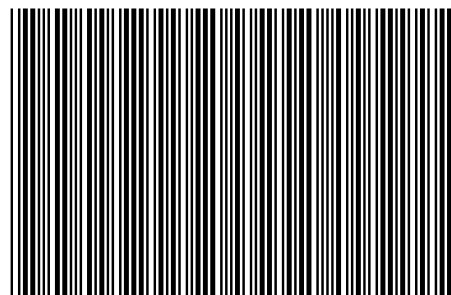
Please hand this instruction manual to your STIHL specialist dealer in the case of maintenance operations. He will confirm the service operations performed in the pre-printed boxes.

 Service performed on

 Next service date

STIHL RMA 339, RMA 339 C

STIHL



0478 131 8327 B

B

AUS/NZ