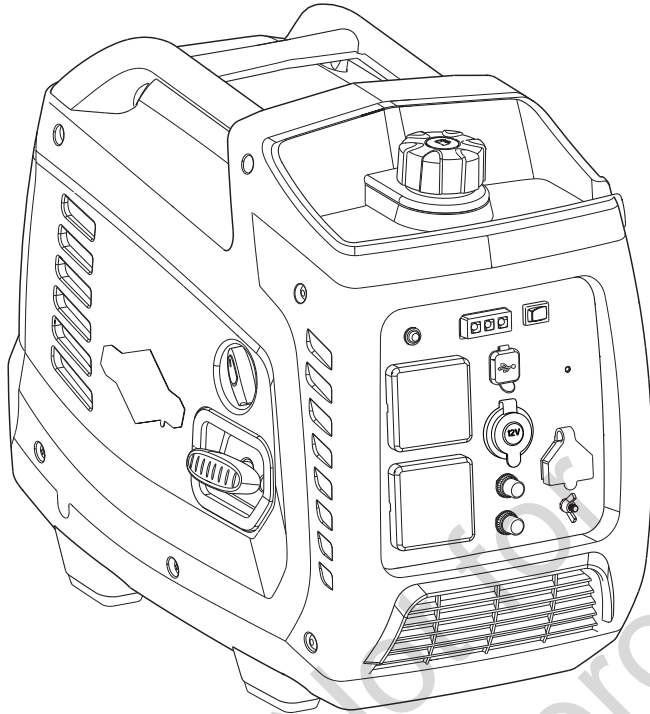




Outdoor Portable Generator Operator's Manual



Model Number _____

Revision _____

Serial Number _____

Date Purchased _____







Equipment Description

Table of Contents

Equipment Description	2
Features and Controls	4
Operation.	6
Maintenance	11
Storage	14
Troubleshooting/Specifications	15
Warranty	16

Symbols and Meanings

Signal	Meaning
DANGER	Indicates a hazard which, if not avoided, <i>will</i> result in death or serious injury.
WARNING	Indicates a hazard which, if not avoided, <i>could</i> result in death or serious injury.
CAUTION	Indicates a hazard which, if not avoided, <i>could</i> result in minor or moderate injury.
NOTICE	Indicates information considered important, but not hazard-related.

Symbol	Name	Explanation
	Safety Alert Symbol	Indicates a potential personal injury hazard.
	Operator's Manual	Failure to follow warnings, instructions and operator's manual could result in death or serious injury.
	Toxic Fumes	Engine exhaust contains carbon monoxide, a poisonous gas that could kill you in minutes. You cannot smell it or see it.
	Fire	Fuel and its vapors are extremely flammable which could cause burns or fire resulting in death or serious injury. Engine exhaust could cause fire resulting in death or serious injury.
	Electric Shock	Generator could cause electrical shock resulting in death or serious injury.
	Hot Surface	Muffler could cause burns or resulting in serious injury.

Equipment Description



Read this manual carefully and become familiar with your outdoor generator. Know its applications, its limitations, and any hazards involved. Save these original instructions for future reference.

The outdoor generator is an engine-driven, revolving field, alternating and direct current (AC & DC) generator. It was designed to supply electrical power for operating compatible electrical lighting, appliances, tools and motor loads. The generator's revolving field is driven by a single-cylinder engine.

The portable generator can be used to power outdoor items using an extension cord or to restore home power using a transfer switch. A transfer switch is a separate device installed by a licensed electrician that allows the portable generator to be cord connected, using the receptacle, directly into your home's electrical system. Install a manual transfer switch as soon as possible if generator will be used to provide home power restoration. The generator is not intended to supply systems that are legally required, for serious life safety or health hazards, or where lack of power hampers rescue of fire-fighting operations.

Every effort has been made to ensure that the information in this manual is both accurate and current. However, the manufacturer reserves the right to change, alter or otherwise improve the generator and this documentation at any time without prior notice.

NOTICE If you have questions about intended use, contact an authorized service dealer. This equipment is designed to be used with Briggs & Stratton® authorized parts only.

System Ground

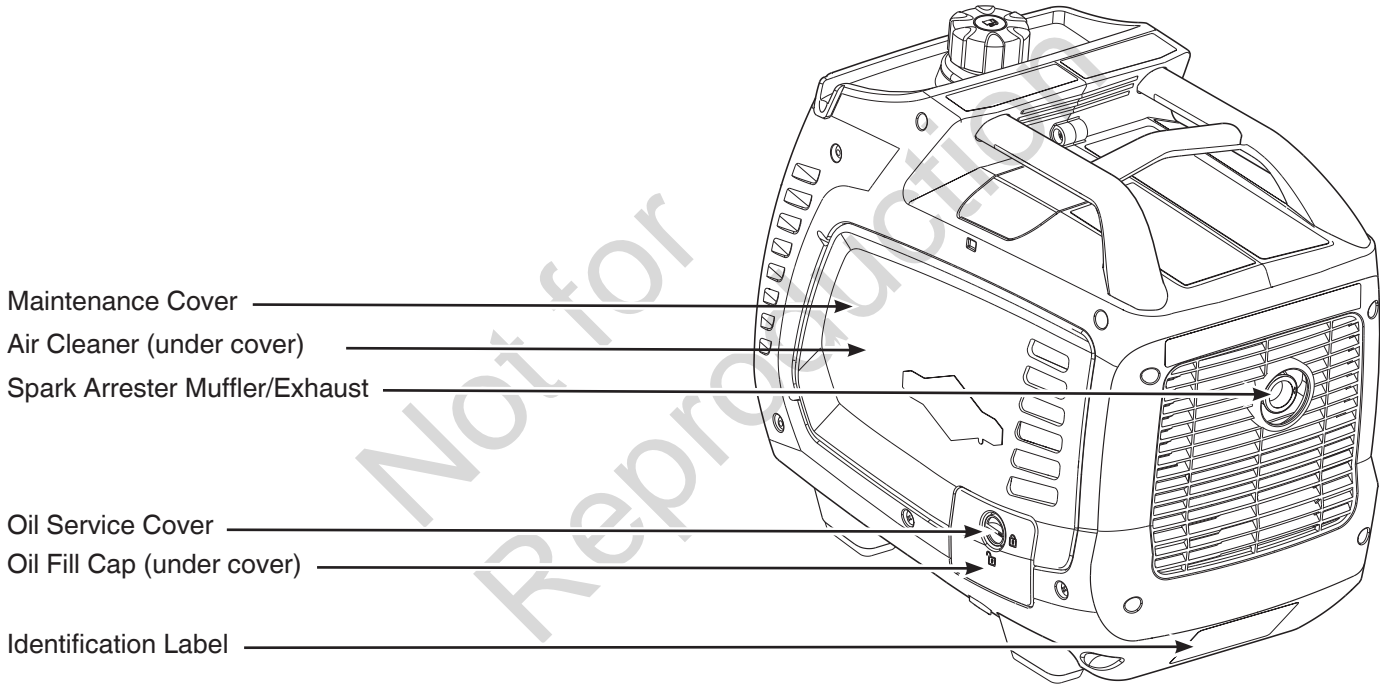
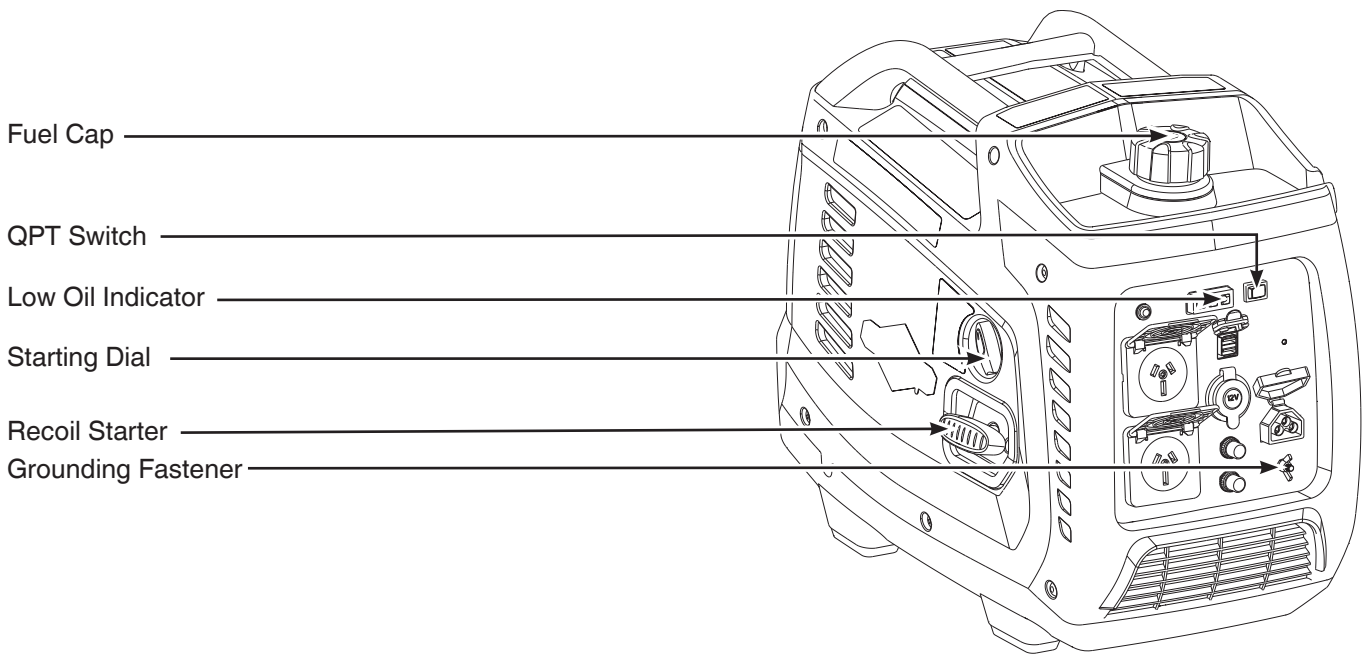
The generator has a system ground that connects the generator frame components to the ground terminals on the AC output receptacles. The generator neutral is floating, which means that the AC stator winding is isolated from the grounding fastener and the AC receptacle ground pins. Electrical devices, such as RCD, requiring a grounded neutral may not operate properly from this generator. Earthing of the generator is not required.

Special Requirements

There may be regulations, local codes, or ordinances that apply to the intended use of the generator. Please consult a qualified electrician, electrical inspector, or the local agency having jurisdiction.

This generator is not intended to be used at a construction site.

Equipment Description



Air Cleaner — Filters engine intake air.

Fuel Cap — Add unleaded fuel here.

Grounding Fastener — Consult your local agency having jurisdiction for grounding requirements in your area.

Identification Label — Provides model and serial number of generator.

Starting Dial — Move dial to COLD START when starting a cold engine. Move dial to RUN when restarting a warm engine or after engine starts. Move dial to OFF to stop engine, during storage and transporting.

Low Oil Indicator — This unit is equipped with a low oil protection device. Oil must be at proper level for engine

to run. If the engine oil drops below a preset level, an oil switch will stop the engine. Check oil level.

Maintenance Cover — Remove to gain access to the air cleaner.

Oil Fill Cap — Check, add and drain engine oil here.

Oil Service Cover — Remove to gain access to the oil fill.

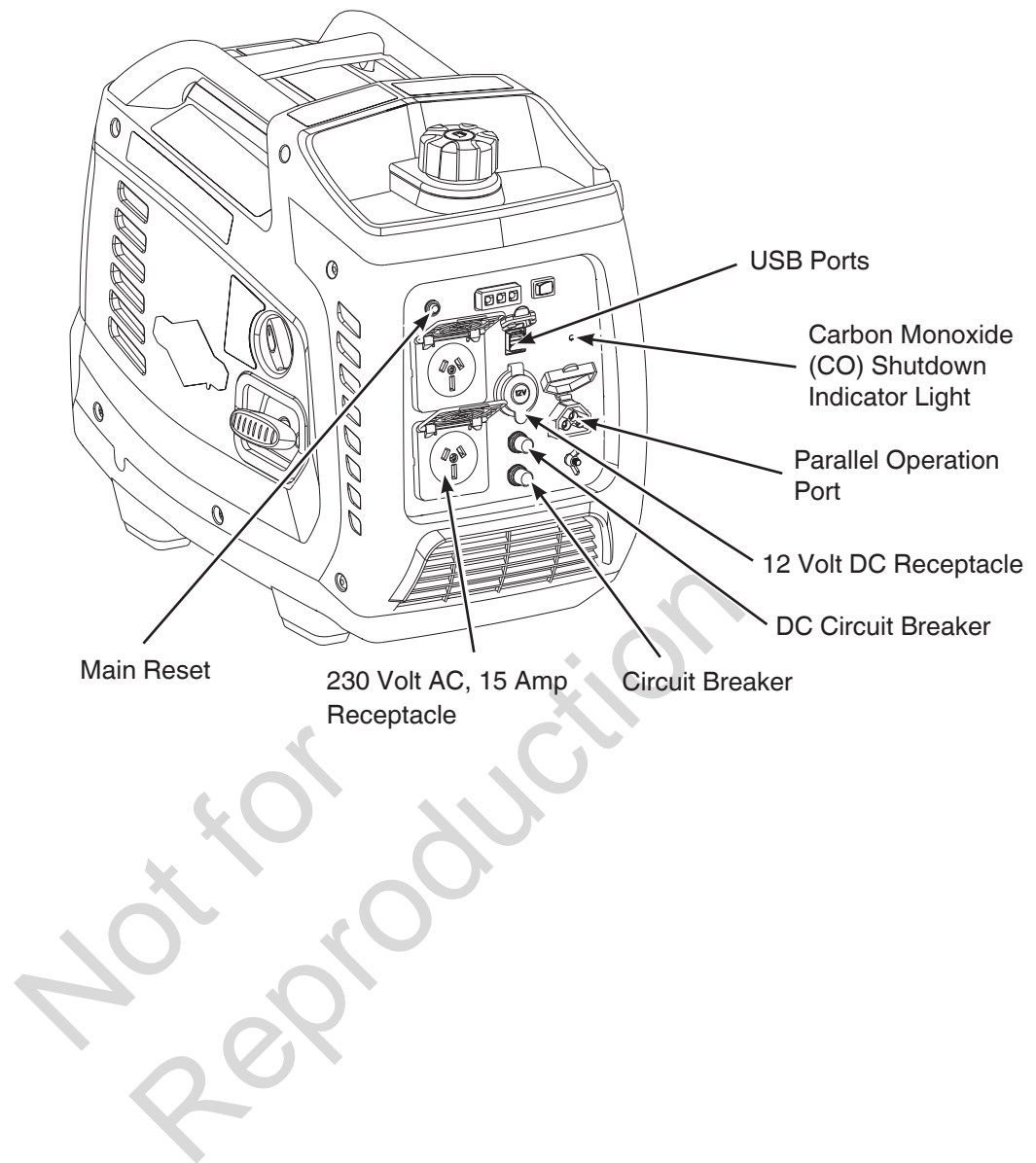
QPT™ (QUIET POWER TECHNOLOGY™) Switch — Use this button to turn the QPT on and off.

Recoil Starter — Used to start the engine manually.

Spark Arrester Muffler/Exhaust — Lowers engine noise and is equipped with a spark arrester screen.

Features and Controls

Compare the illustrations with your generator to familiarize yourself with the locations of various controls and product warnings.



12 Volt DC Receptacle — Use this receptacle to supply power for 12 Volt DC accessories that are rated 60 watts (5 Amp) or less. This receptacle is protected by a push to reset circuit breaker.

230 Volt AC, 15 Amp Receptacle — May be used to supply electrical power for the operation of 230 Volt AC, 15 Amp, single phase, 50 Hz electrical, lighting, appliance, tool, and motor loads.

Carbon Monoxide (CO) Shutdown Indicator Light — Indicates the engine shutdown due to carbon monoxide accumulation around the generator or a CO shutdown system fault occurred.

Circuit Breaker — A “push to reset” circuit breaker is provided to protect the generator against electrical overload.

DC Circuit Breaker — The 12 Volt DC receptacle is provided with a “push to reset” circuit breaker to protect the generator against electrical overload.

Main Reset — Push to reset generator if overloaded.

Parallel Operation Port — Use this port with optional parallel operation kit to connect and combine the output of two generators.

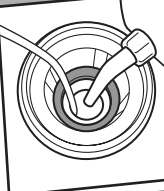
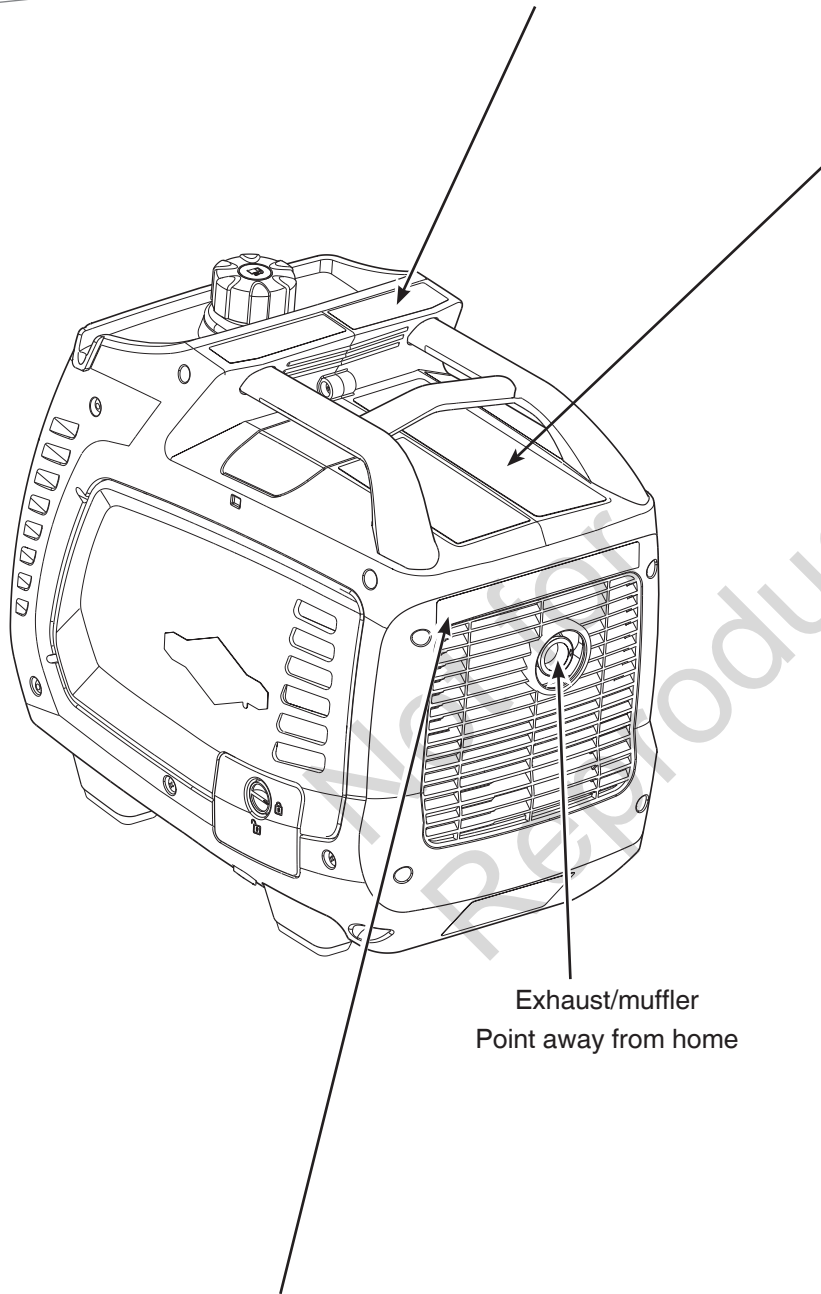
USB Ports — Use ports to recharge most USB powered devices.

⚠ WARNING

Fuel is flammable which could cause burns resulting in death or serious injury.

- Turn engine off and let it cool at least 2 minutes before refueling.
- Do not fill fuel above fuel level indicator.
- Never add fuel to a hot or running generator.

80085829

Exhaust/muffler
Point away from home

⚠ WARNING

Muffler could cause burns resulting in serious injury

- Do not touch hot parts
- Avoid hot exhaust gases

80084538

↑ Point engine exhaust away from all homes ↑

⚠ WARNING



Failure to follow warnings, instructions and operator's manual could result in death or serious injury.



Engine exhaust contains carbon monoxide, a poisonous gas that could kill you in minutes.

- You CANNOT smell it, see it, or taste it.
- Operate this product ONLY outside, at least 6.1 m away from windows, doors, and vents.
- Tampering with the CO Shutoff System could cause Carbon Monoxide poisoning. Install Carbon Monoxide alarms inside home.



Generator could cause electrical shock.

- Do not run indoors to avoid wet conditions.
- Do not run in rain or wet weather.
- The output of this generating set is potentially lethal. The set shall not be connected to a fixed electrical installation by fixed wiring except by an appropriately licensed person.



Hot exhaust gases could cause fires. Keep at least 1.5m clearance from any combustibles or structures, including overhead.

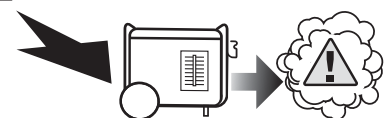


AUTOMATIC SHUTOFF - YOU MUST:

Move generator to an open, outdoor area. Point exhaust away from homes. Don't run generator in enclosed areas (e.g. not in house or garage). Air out premises (e.g. open windows and doors) before reoccupying.



(6.1 m) MIN.



Move to fresh air and get medical help if sick, dizzy or weak.

80084449

Operation

Operation

Step 1: Safe Location

Before starting the portable generator there are two equally important safety concerns regarding carbon monoxide poisoning and fire that must be addressed.

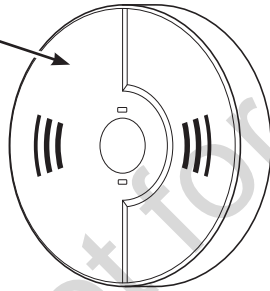
Operation Location to Reduce the Risk of Carbon Monoxide Poisoning

The engine exhaust of all fossil fuel burning equipment, such as a portable generator, contains carbon monoxide, a poisonous gas that could kill you in minutes. You cannot smell it, see it, or taste it. Even if you do not smell exhaust fumes, you could still be exposed to carbon monoxide gas.

By law it is required in many states to have a carbon monoxide alarm in operating condition in your home. A carbon monoxide alarm is an electronic device that detects hazardous levels of carbon monoxide. When there is a buildup of carbon monoxide, the alarm will alert the occupants by flashing visual indicator light and alarm. Smoke alarms cannot detect carbon monoxide gas.

Carbon Monoxide Alarm(s)

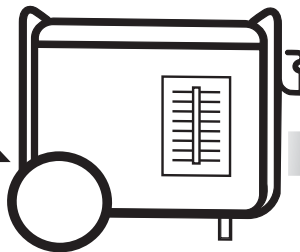
Install carbon monoxide alarm inside your home. Without working carbon monoxide alarms, you will not realize you are getting sick and dying from carbon monoxide poisoning.



6.1 m (20 ft.)
min.

Prevent Carbon Monoxide (CO) Poisoning

- Use outdoors at least 6.1 m (20 ft.) from any home.
- Point exhaust away from all homes and occupied spaces.
- Install CO alarms inside your home.



WARNING! Engine exhaust contains carbon monoxide, a poisonous gas that could kill you in minutes. You cannot smell it, see it, or taste it.

Even if you do not smell exhaust fumes, you could still be exposed to carbon monoxide gas.

- Operate portable generator only outdoors, at least 6.1 m (20 ft.) from occupied spaces with exhaust pointed away to reduce the risk of carbon monoxide accumulating.
- Install battery-operated carbon monoxide alarms or plug-in carbon monoxide alarms with battery back-up according to the manufacturer's instructions. Smoke alarms cannot detect carbon monoxide gas.
- Do not run portable generator inside homes, garages, basements, crawlspaces, sheds, or other partially-enclosed spaces even if using fans or opening doors and windows for ventilation. Carbon monoxide can quickly build up in these spaces and can linger for hours, even after this product has shut off.

If you start to feel sick, dizzy, weak, or your homes carbon monoxide alarm sounds while using this product, get to fresh air right away. Call emergency services. You may have carbon monoxide poisoning.

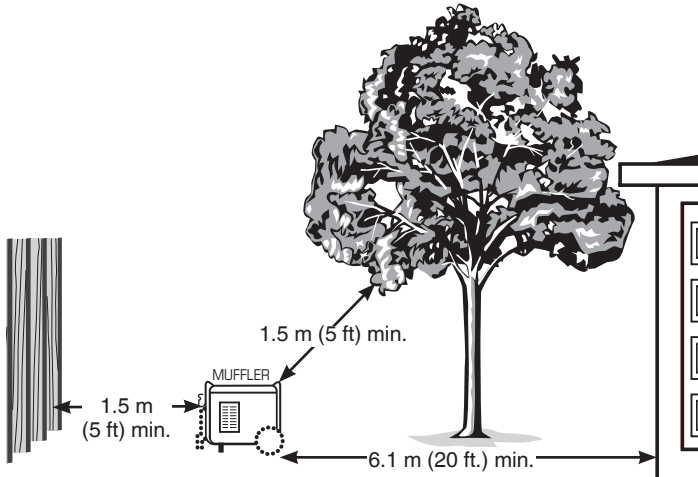
To better educate yourself about all carbon monoxide risks, go to www.takeyourgeneratoroutside.com.

Operation Location to Reduce the Risk of Fire



WARNING! Exhaust heat/gases could ignite combustibles, structures or damage fuel tank causing a fire, resulting in death or serious injury.

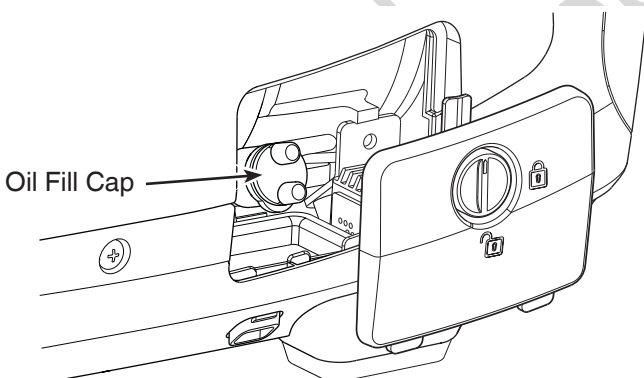
- Portable generator must be at least 1.5 m (5 ft.) from any structure, overhang, trees, shrubs, or vegetation over 30.5 cm (12 in.) in height.



- Do not place portable generator under a deck or other type of structure that may confine airflow. Smoke alarm(s) must be installed and maintained indoors according to the manufacturer's instructions/recommendations.
- Carbon monoxide alarms cannot detect smoke.
- Do not place portable generator in manner other than shown.

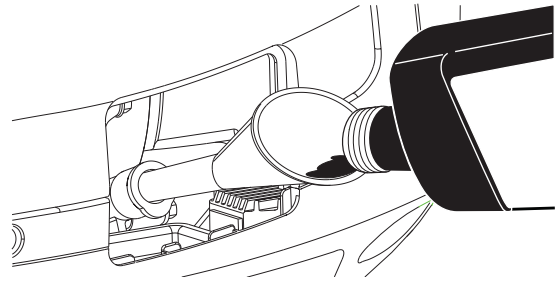
Step 2: Oil and Fuel

1. Move generator outdoors to a flat, level surface.
2. Turn dial and open cover over oil fill area.



3. Clean area around oil fill and remove oil fill cap.

4. Using an oil funnel, slowly pour contents of oil bottle into oil fill opening. Checking oil level frequently, fill to point of overflowing.



NOTICE Pause to permit oil to settle. **DO NOT** overfill.

5. Replace and fully tighten oil fill cap.
6. Replace cover over oil fill area.

Low Oil Indicator

The low oil indicator system is designed to prevent engine damage caused by not enough engine oil. If the engine oil level drops below a preset level, the yellow LED low oil indicator light comes on and an oil switch will stop the engine. If the engine stops or the yellow LED low oil indicator light comes on when you pull the recoil handle, check the engine oil level.

Fuel must meet these requirements:

- Clean, fresh, unleaded fuel with a minimum of 91 RON (87 octane/87 AKI).
- Gasoline with an ethanol content up to 10% is acceptable.

E10 E15

NOTICE Do not mix oil in fuel or modify engine to run on alternate fuels. Use of unapproved fuels could damage engine and will not be covered under warranty.

See *High Altitude* for 1524 m (5,000 ft.) and above.

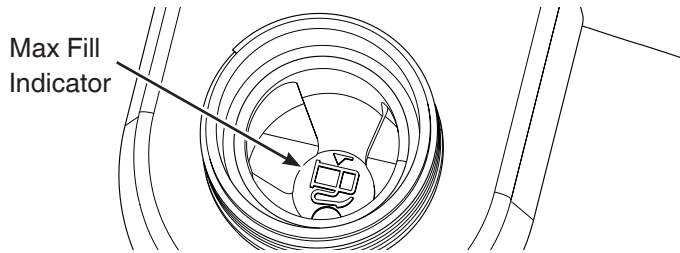


WARNING! Fuel and its vapors are extremely flammable which could cause burns or fire resulting in death or serious injury.

- Do not refuel during operation.
- Do not smoke during refueling.
- Turn engine off and let it cool at least 2 minutes before removing fuel cap.
- Fill fuel tank outdoors. Keep fuel away from sparks, open flames, pilot lights, heat, and other ignition sources. Check fuel lines, tank, cap and fittings frequently for cracks or leaks. Replace if necessary.

Operation

7. Slowly remove fuel cap to relieve pressure in tank.
8. Slowly add unleaded fuel to max fill indicator in fuel tank. Be careful not to fill above the indicator. This allows adequate space for fuel expansion.



9. Install fuel cap and let any spilled fuel evaporate before starting engine.

High Altitude

At altitudes over 1524 m (5,000 ft.), a minimum 89 RON (85 octane/85 AKI) fuel is acceptable. To remain emissions compliant, high altitude adjustment is required. Operation without this adjustment will cause decreased performance, increased fuel consumption, and increased emissions.

See an authorized Briggs & Stratton dealer for high altitude adjustment information. Operation of the engine at altitudes below 762 m (2,500 ft.) with the high altitude kit is not recommended.

Transporting

When transporting equipment, turn starting dial to off position. Do not tip engine or equipment at an angle which causes fuel to spill.

Step 3: Generator Start Up

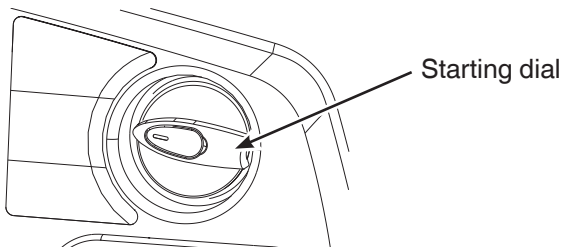
Turn off all electrical loads connected to the generator. Use the following start instructions:

1. Make sure unit is outdoors on a level surface.

NOTICE Failure to operate the unit on a level surface may cause the unit to shut down.

2. Turn starting dial to the cold start position.

NOTICE For a warm engine, turn starting dial to the run position.



3. Grasp recoil and pull slowly until slight resistance is felt. Then pull rapidly to start engine.
4. Slowly turn starting dial to run position. If engine falters, turn starting dial halfway between cold start and run position until engine runs smoothly, and then to run position.

NOTICE If engine starts but fails to run, see *Low Oil Indicator*.

Step 4: Connecting Electrical Loads

To Restore Home Power Using a Transfer Switch

Connections to your home's electrical system must use a manual transfer switch installed by a qualified electrician. The connection must isolate the generator power from the utility power and comply with all applicable laws and electrical codes.

To Restore Power Using Extension Cords

Generator may only be loaded up to rated power under the rated conditions as shown on unit data tag. Reduce load when using generator outside of rated conditions.

Use only high quality, well-insulated extension cables in accordance with IEC 60245-4 with the generator's 230 Volt AC outlets. Inspect extension cables before each use. Check that all extension cables are suitably rated and are not damaged. When using extension cords under 40° C, the total length of cords for a cross section of 1.5 mm² should not exceed 60 m or for a cross section of 2.5 mm² should not exceed 100 m.



WARNING! Damaged or overloaded extension cords could overheat, arc, and burn resulting in death or serious injury.

- Electrical equipment, including cables and plug connections, should not be defective.
 1. Install carbon monoxide alarm(s).
 2. When operating generator with extension cords, make sure it is located in an open, outdoor area, at least 6.1 m from occupied spaces with exhaust pointed away.
 3. Extension cords running directly into home, powering indoor items IS NOT RECOMMENDED.



WARNING! Engine exhaust contains carbon monoxide, a poisonous gas that could kill you in minutes. You cannot smell it, see it, or taste it.

Even if you do not smell exhaust fumes, you could still be exposed to carbon monoxide gas.

- Extension cords running directly into the home increase your risk of carbon monoxide poisoning through openings.
- If an extension cord running directly into the home is used to power indoor items, the operator recognizes that this increases the risk of CO poisoning to people inside the home and assumes that risk.
- 4. Install a manual transfer switch as soon as possible if generator will be used to provide home power restoration.

5 Volt DC USB Ports

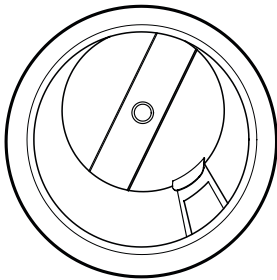
The combined maximum current available for the USB ports is 2.1 Amps at 5 Volts. The USB port allows you to recharge most USB powered devices with a USB charging cable (not included).

NOTICE For maximum output, use the bottom USB port.

NOTICE For charging ITE (Information Technology Equipment) only.

12 Volt DC Receptacle

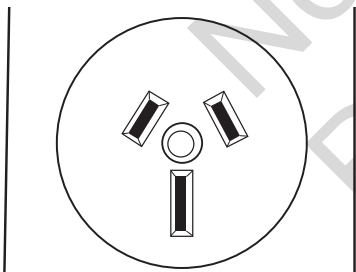
The maximum current available for the 12 Volt DC receptacle is 5 Amps. A DC circuit breaker protects this receptacle from overloads. If an overload occurs, the circuit breaker will trip (push button pops out). Wait a few minutes and push the button in to reset the circuit breaker.



230 Volt AC, 15 Amp Receptacles

These receptacles are protected against overload by an internal overload system.

Use receptacles to operate 230 Volt AC, single-phase, 50 Hz electrical loads requiring up to 1,800 watts (1.8 kW) at 7.8 Amps of current. Use cord sets that are rated for 230 Volt AC loads at 15 Amps (or greater).



Output Indicator **OK!**

The green LED output indicator light comes on when the generator is operating normally.

Overload Alarm **⚠**

The red LED overload alarm light blinks when near an overload and is steady if you overload the generator. The green output indicator light will also go off. If the generator was overloaded, you must turn off all electrical loads, then push the generator reset button to continue operating.

Parallel Operation

Two Briggs & Stratton inverter generators can be run in parallel with a Briggs & Stratton parallel operation kit (optional equipment). When running in parallel, the total output of power is shown in chart.

Models	Maximum Output
P2400 & P2400	3300 Watts
P2400 & P3400	4200 Watts
P3400 & P3400	5100 Watts

NOTICE Total electrical load connected to the parallel kit must not exceed the maximum output.

See the parallel operation kits instruction sheet for detailed instructions on installation and operation of the connected generators.

NOTICE

- Turn electrical loads OFF and disconnect from both generators.
- The QPT switch must be in the same position on both generators.
- Connect the parallel cables to both generators before starting the engines. See instruction sheet supplied with parallel kit.
- Start engine on one of the inverter generators according to *Generator Start Up*.
- Once the green LED output indicator light on the first generators is steady, start second generator.
- Connect and turn on electrical loads to the parallel panel receptacles.
- DO NOT disconnect parallel cables after engines have been started.
- Shut down engines as described in *Generator Shutdown*.

QPT (QUIET POWER TECHNOLOGY)

This feature is designed to greatly improve fuel economy. When QPT is on, engine speed increases as loads are connected, and decreases as loads are removed. When QPT is off, engine will run at full governed speed.

Operation

Generator Capacity

To make sure your generator can supply enough running watts and starting watts for the items you will power at the same time, follow these three simple steps:

1. Select the items you will power at the same time. See following list for typical wattages.

Tool or Appliance	Running Watts*	Starting Watts**
Light Bulb - 75 Watt	75	-
Refrigerator/Freezer	550	1350
Window AC - 10,000 BTU	1000	2100
Microwave Oven - 1000 Watt	1000	-
Plasma Television - 50"	500	-
Laptop	250	-

* Typical wattages listed are approximate only. Check tool or appliance for actual wattage.

** The momentary electrical current the generator can provide to start electric motors, per Briggs & Stratton standard 628K. It does not represent the power required to continuously run electrical loads. It is the maximum current that can momentarily be supplied when starting a motor, multiplied by the generator's rated voltage.

2. Total the running watts. This is the amount of power your generator must produce to keep your items running. See following example:

Example

Tool or Appliance	Running Watts	Starting Watts
Window AC - 10000 BTU	1000	2100
Refrigerator/Freezer	550	1350
Plasma Television	500	—
Light (75 Watts)	75	—
	2125 Total Running Watts	2100 Highest Starting Watts

Total running watts = 2125
 Highest starting watts = 2100
 Total generator watts required = 4225

3. Estimate the starting watts you will need. Because not all motors start at the same time, total starting wattage can be estimated by adding only the item with the highest additional starting watts requirements to the total running watts from step 2.

Power Management

To manage generator power, sequentially add loads as follows:

1. With nothing connected to generator, start the engine outdoors.
2. Plug in and turn on the first load, preferably the largest load you have.


3. Permit the generator output to stabilize (engine runs smoothly and attached device operates properly).
4. Plug in and turn on the next load.
5. Again, permit the generator to stabilize.
6. Repeat steps 4 and 5 for each additional load.

Never add more loads than the generator capacity. Take special care to consider starting watts in generator capacity.

Carbon Monoxide (CO) Shutdown System

Automatically shuts down the engine when harmful levels of carbon monoxide accumulate around the generator or a CO shutdown system fault occurs. After shutdown, the indicator light will blink for at least five minutes per the chart below.

The CO shutdown system DOES NOT replace carbon monoxide alarms. Install battery-powered carbon monoxide alarm(s) in your home. Do not run generator in enclosed areas.

Color/Pattern	Description
Red • • 	Carbon monoxide accumulated around generator. Move generator to an open, outdoor area 6.1 m (20 ft.) from occupied spaces with exhaust pointed away. Automatic shutoff is an indication generator was improperly located. Air out premises (e.g. open windows and doors) before reoccupying. If you start to feel sick, dizzy, weak, or your homes carbon monoxide alarm sounds while using this product, get to fresh air right away. Call emergency services. You may have carbon monoxide poisoning.
Blue • • •	CO shutdown system fault occurred*. See Briggs & Stratton authorized service dealer.

*Blue light will blink for five seconds at the startup of generator to show the CO shutdown system is functioning properly.

Step 5: Generator Shutdown

1. Turn off and unplug all electrical loads from generator panel receptacles. Never stop engine with electrical devices plugged in and turned on.
2. Let engine run at no-load for one minute to stabilize internal temperatures of engine and generator.
3. Turn the starting dial to the OFF position.

Maintenance

Maintenance Schedule

Follow the hourly or calendar intervals, whichever occurs first. More frequent service is required when operating in adverse conditions noted below.

Every 8 Hours or Daily
• Clean debris
• Check engine oil level
First Month or 10 Hours
• Change engine oil
Every 50 Hours or 3 Months
• Clean engine air cleaner ¹
Every 100 Hours or 6 Months
• Change engine oil ¹
• Service spark plug
• Inspect muffler and spark arrester ^{1, 2}
• Clean fuel sediment cup ²

¹ Service more often under dirty or dusty conditions.

² See any authorized dealer for service.

General Recommendations

Regular maintenance will improve the performance and extend the life of the generator. See any Briggs & Stratton Authorized Service Dealer for maintenance and service.

The generator's warranty does not cover items that have been subjected to operator abuse or negligence. To receive full value from the warranty, the operator must maintain the generator as instructed in this manual.

All service and adjustments should be made at least once each season. A new spark plug and clean air filter assure proper fuel-air mixture and help your engine run better and last longer. Follow requirements in *Maintenance Schedule*.

Emissions Control

Maintenance, replacement, or repair of the emissions control devices and systems may be performed by any non-road engine repair establishment or individual. However, to obtain "no charge" emissions control service, the work must be performed by a factory authorized dealer. See *Emissions Warranty*.

- Generator is equipped with a G-trim engine.

Cleaning

Daily or before use, look around and underneath the generator for signs of oil or fuel leaks. Clean any accumulated debris. Keep area around muffler free from any debris.

- Use a soft bristle brush to loosen caked on dirt or oil.
- Use a damp cloth to wipe exterior surfaces clean.

NOTICE Improper treatment of generator could damage it and shorten its life. Do not expose generator to excessive moisture, dust, dirt, or corrosive vapors. Do not insert any objects through cooling slots.

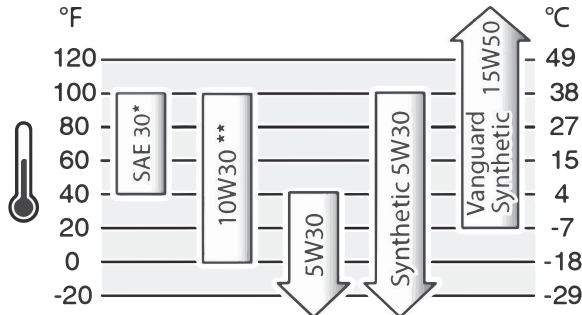
Maintenance

Engine Maintenance

Oil Recommendations

We recommend the use of Briggs & Stratton Warranty Certified oils for best performance. Other high-quality detergent oils are acceptable if classified for service SF, SG, SH, SJ or higher. Do not use special additives.

Outdoor temperatures determine the proper oil viscosity for the engine. Use the chart to select the best viscosity for the outdoor temperature range expected. Engines on most outdoor power equipment operate well with 5W30 Synthetic oil. For equipment operated in hot temperatures, Vanguard® 15W50 Synthetic oil provides the best protection.



* Below 4°C (40°F) the use of SAE 30 will result in hard starting.

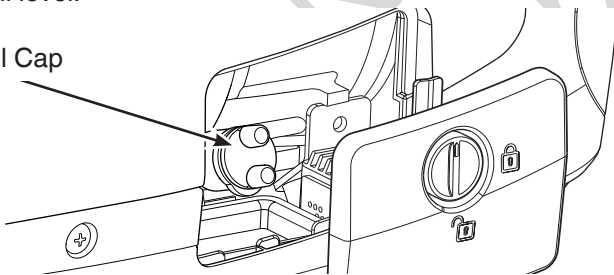
** Above 27°C (80°F) the use of 10W30 may cause increased oil consumption. Check oil level more frequently.

Checking/Adding Engine Oil

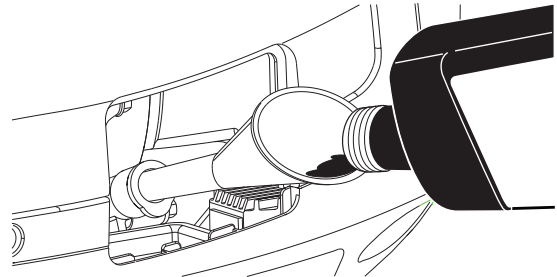
Oil level should be checked prior to each use or at least every 8 hours of operation. Keep oil level maintained.

1. Make sure generator is on a level surface.
2. Remove cover over the oil fill area.
3. Clean area around oil fill, remove oil fill cap and check oil level.

Oil Fill Cap



4. If needed, slowly pour oil into oil fill opening to the point of overflowing.



5. Replace and tighten oil fill cap.

NOTICE Do not attempt to crank or start engine before it has been properly serviced with recommended oil. This could result in an engine failure.

6. Replace cover over oil fill area.

CAUTION Avoid prolonged or repeated skin contact with used motor oil. Used motor oil has been shown to cause skin cancer in certain laboratory animals. Thoroughly wash exposed areas with soap and water.



KEEP OUT OF REACH OF CHILDREN. DON'T POLLUTE. CONSERVE RESOURCES. RETURN USED OIL TO COLLECTION CENTERS.

Changing Engine Oil

If you are using your generator under extremely dirty or dusty conditions, or in extremely hot weather, change the oil more often.

Change the oil while the engine is still warm from running, as follows:

1. Make sure unit is on a level surface.
2. Drain fuel tank by running generator until fuel tank is empty.
3. Remove cover over the oil fill area.
4. Clean area around oil fill and remove oil fill cap.
5. Tip your generator to drain oil from oil fill into a suitable container making sure you tip your unit toward the oil filler neck. When crankcase is empty, return generator to upright position.
6. Using an oil funnel, slowly pour recommended oil (about 0.4 l (13.5 oz.)) into oil fill opening. Checking oil level frequently, fill to point of overflowing.

NOTICE Pause to permit oil to settle. DO NOT overfill.

7. Replace and tighten oil fill cap.
8. Wipe up any spilled oil.
9. Replace cover over oil fill area.

Service Air Cleaner

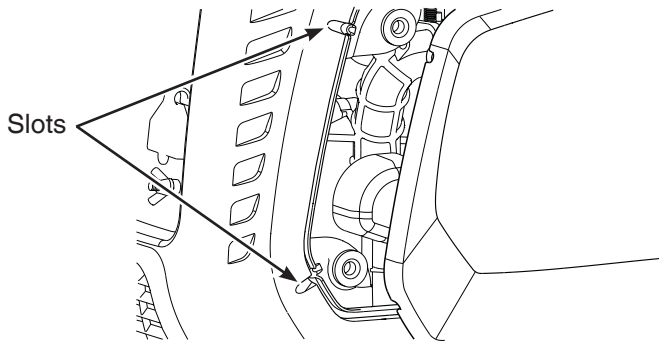


WARNING! Fuel and its vapors are extremely flammable which could cause burns or fire resulting in death or serious injury.

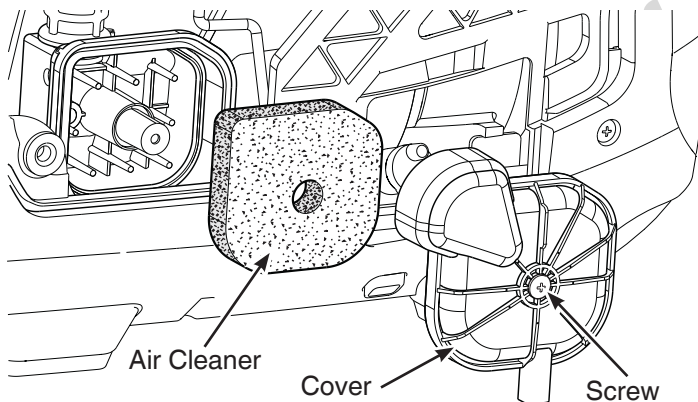
- Do not start and run engine with air filter removed.

Your engine will not run properly and may be damaged if you run it with a dirty air cleaner. Service more often if operating under dirty or dusty conditions.

1. Remove cover over the oil fill area.
2. Insert screwdriver into slots and pry maintenance cover out and lift off.



3. Loosen the air cleaner cover screw and remove air cleaner cover.

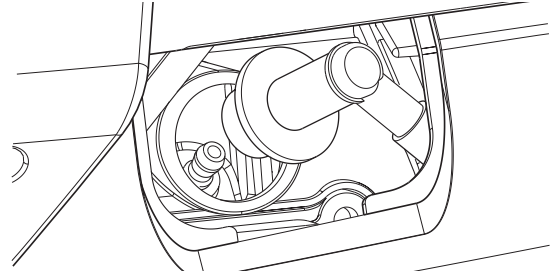


4. Carefully remove foam air cleaner from the base.
5. Wash foam air cleaner in liquid detergent and water only. Squeeze dry in a clean cloth.
6. Reinstall clean or new foam air cleaner inside base.
7. Reinstall the air cleaner cover and tighten screw.
8. Reinstall the maintenance cover by aligning the knubs into the rubber retainers and push until it snaps into place.
9. Replace cover over oil fill area.

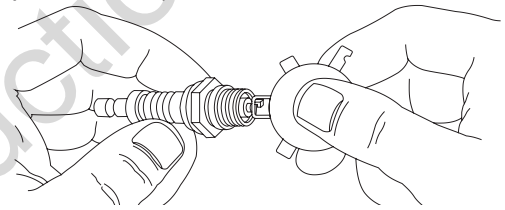
Service Spark Plug

Changing the spark plug will help your engine to start easier and run better.

1. Push in on tab with screwdriver and remove top maintenance cover.
2. Clean area around spark plug and remove spark plug boot.



3. Remove spark plug and inspect spark plug.
4. Replace spark plug if electrodes are pitted, burned or porcelain is cracked. Use the recommended replacement spark plug. See *Common Service Parts*.
5. Check electrode gap with wire feeler gauge and reset spark plug gap to recommended gap if necessary (see *Specifications*).



6. Install spark plug and tighten firmly. Reinstall spark plug boot.
7. Reinstall top maintenance cover.

Maintenance/Storage

Inspect Muffler and Spark Arrester

The engine exhaust muffler has a spark arrester screen. Inspect the muffler for cracks, corrosion, or other damage. Inspect spark arrester screen for damage or carbon blockage. Clean if carbon blockage is found or replace if damaged. If replacement parts are required, make sure to use only original equipment replacement parts.

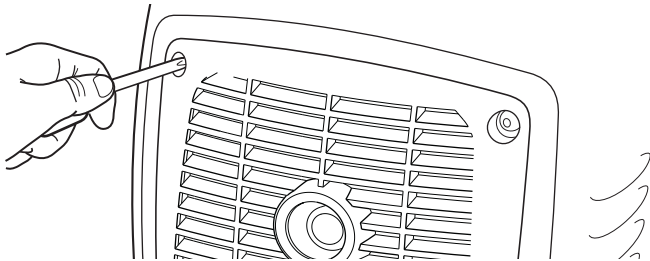


WARNING! Contact with muffler area could cause burns resulting in serious injury.

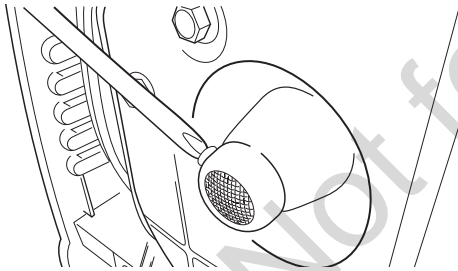
- Do not touch hot parts.

Clean or replace spark arrester as follows:

1. Loosen back cover screws and remove cover.



2. Remove screw that attaches spark arrester screen to muffler. Remove spark arrester screen.



3. Obtain a replacement screen. See *Common Service Parts*.
4. Reattach screen to muffler. Reattach back cover.

Common Service Parts

Air Cleaner	84003886
Spark Plug	84003884
Engine Oil Bottle	100028
Synthetic Oil Bottle	100074
Spark Arrester	703189

Contact an authorized service dealer or BRIGGSandSTRATTON.com for a full list of parts and diagrams.

Storage

If storing the unit for more than 30 days, use the following guidelines to prepare it for storage.

Long Term Storage Instructions

1. Clean the generator as outlined in *Cleaning*.
2. Change engine oil while engine is still warm, drain oil from crankcase. Refill with recommended grade. See *Changing Engine Oil*.
3. Treat or drain fuel from generator as fuel can become stale when stored over 30 days.

Each time you fill the container with fuel, add STA-BIL 360°® PROTECTION™ to the fuel as specified by the manufacturer's instructions. This keeps fuel fresh and decreases fuel-related problems or contamination in the fuel system.

It is not necessary to drain fuel from the engine when STA-BIL 360°® PROTECTION™ is added as instructed. Before storage, turn the engine ON for 2 minutes to move the fuel and stabilizer through the fuel system.

If fuel in the engine has not been treated with STA-BIL 360°® PROTECTION™, it must be drained into an approved container. Then run the engine until it stops from lack of fuel.



WARNING! Fuel and its vapors are extremely flammable and explosive which could cause burns, fire or explosion resulting in death or serious injury.

- When storing fuel or equipment with fuel in tank, store away from furnaces, stoves, water heaters, clothes dryers or other appliances that have pilot light or other ignition source because they could ignite fuel vapors.
 - When draining fuel, turn generator engine off and let it cool at least 2 minutes before removing fuel cap. Loosen cap slowly to relieve pressure in tank. Drain fuel tank outdoors. Keep fuel away from sparks, open flames, pilot lights, heat, and other ignition sources.
 - Check fuel lines, tank, cap and fittings frequently for cracks or leaks. Replace if necessary.
4. Turn starting dial to the off position.
 5. Store generator in clean, dry area and cover with a suitable protective cover that does not retain moisture.



WARNING! Storage covers could cause a fire resulting in death or serious injury.

- Do not place a storage cover over a hot or running generator. Let equipment cool for a sufficient time before placing the cover on the equipment.

Troubleshooting/Specifications

Problem	Cause	Correction
Engine is running, but no AC output is available.	<ol style="list-style-type: none"> 1. One of the circuit breakers is open. 2. Poor connection or defective cord set. 3. Connected device is bad. 4. Red LED light is steady. Generator is overloaded or overheated. 	<ol style="list-style-type: none"> 1. Reset circuit breaker. 2. Check and repair. 3. Connect another device that is in good condition. 4. See <i>Generator Capacity</i>. Press MAIN RESET button on control panel.
Engine runs well at no-load but “bogs down” when loads are connected.	<ol style="list-style-type: none"> 1. Generator is overloaded. 	<ol style="list-style-type: none"> 1. See <i>Generator Capacity</i>.
Engine will not start; starts and runs rough or shuts down when running.	<ol style="list-style-type: none"> 1. Starting dial is in off position. 2. Low oil indicator light comes on. Low oil level. 3. Dirty air cleaner. 4. Out of fuel. 5. Spark plug wire not connected to spark plug. 6. Flooded with fuel. 	<ol style="list-style-type: none"> 1. Turn starting dial to run position. 2. Fill crankcase to proper level or place generator on level surface. 3. Clean or replace air cleaner. 4. Fill fuel tank. 5. Connect wire to spark plug. 6. Wait 5 minutes and re-crank engine.
Engine shuts down and CO shutdown system LED blinks red (•• ••).	<ol style="list-style-type: none"> 1. Generator improperly located. 	<ol style="list-style-type: none"> 1. Move generator to an open, outdoor area. Air out premises (e.g. open windows and doors) before reoccupying. See <i>Carbon Monoxide (CO) Shutdown System</i>.

For all other issues, see a Briggs & Stratton authorized dealer.

Specifications

Rated Wattage*	1,800
Starting Wattage**	2,400
Current at 230 Volts AC	7.8 Amps
Current at 12 Volts DC	5.0 Amps
Current at 5 Volts DC	2.1 Amps
Frequency	50 Hz
Phase	Single Phase
Displacement	79.7 cc (4.86 cu. in.)
Spark Plug Gap	0.6-0.7 mm (0.024-0.028 in.)
Fuel Capacity	4.0 Liters (1.0 U.S. Gallons)
Oil Capacity	0.4 Liters (13.5 Ounces)
Sound Pressure @ 7 m§	78 dBA

* Generator rated in accordance with CSA (Canadian Standards Association) standard C22.2 No. 100-14, Motors and Generators.

** Per Briggs & Stratton 628K.

§ Measured sound values in accordance to AS/NZS 3010:2017 Electrical installations - Generating sets.

BRIGGS & STRATTON PRODUCTS WARRANTY POLICY

Limited Warranty

Briggs & Stratton warrants that, during the warranty period specified below, it will repair or replace, free of charge, any part that is defective in material or workmanship or both. Transportation charges on product submitted for repair or replacement under this warranty must be borne by purchaser. This warranty is effective for and is subject to the time periods and conditions stated below. For warranty service, find the nearest Authorized Service Dealer in our dealer locator map at www.briggsandstratton.com. The purchaser must contact the Authorized Service Dealer, and then make the product available to the Authorized Service Dealer for inspection and testing.

There is no other express warranty. Implied warranties, including those of merchantability and fitness for a particular purpose, are limited to the warranty period listed below, or to the extent permitted by law. Liability for incidental or consequential damages are excluded to the extent exclusion is permitted by law. Some states or countries do not allow limitations on how long an implied warranty lasts, and some states or countries do not allow the exclusion or limitation of incidental or consequential damages, so the above limitation and exclusion may not apply to you. This warranty gives you specific legal rights and you may also have other rights which vary from state to state or country to country.**

WARRANTY PERIOD

Consumer Use	Commercial Use
36 months ▲	12 months

▲ Battery (if equipped) 3 months consumer use, none commercial use.

** In Australia - Our goods come with guarantees that cannot be excluded under the Australian Consumer Law. You are entitled to a replacement or refund for a major failure and for compensation for any other reasonably foreseeable loss or damage. You are also entitled to have the goods repaired or replaced if the goods fail to be of acceptable quality and the failure does not amount to a major failure. For warranty service, find the nearest Authorized Service Dealer in our dealer locator map at BRIGGSandSTRATTON.COM, or by calling 1300 274 447, or by emailing or writing to salesenquires@briggsandstratton.com.au, Briggs & Stratton Australia Pty Ltd, 1 Moorebank Avenue, NSW, Australia, 2170.

The warranty period begins on the date of purchase by the first retail or commercial consumer. "Consumer use" means personal residential household use by a retail consumer. "Commercial use" means all other uses, including use for commercial, income producing or rental purposes. Once a product has experienced commercial use, it shall thereafter be considered as a commercial use product for purposes of this warranty.

Save your proof of purchase receipt. If you do not provide proof of the initial purchase date at the time warranty service is requested, the manufacturing date of the product will be used to determine the warranty period. Product registration is not required to obtain warranty service on Briggs & Stratton products.

ABOUT YOUR WARRANTY

Warranty service is available only through Briggs & Stratton Authorized Service Dealers. Most warranty repairs are handled routinely, but sometimes requests for warranty service may not be appropriate. This warranty covers only defects in materials or workmanship. It does not cover damage caused by improper use or abuse, improper maintenance or repair, normal wear and tear, or stale or unapproved fuel.

Improper Use and Abuse - The proper, intended use of this product is described in the Operator's Manual. Using the product in a way not described in the Operator's Manual or using the product after it has been damaged will not be covered under this warranty. Warranty coverage will also not be provided if the serial number on the product has been removed or the product has been altered or modified in any way, or if the product has evidence of abuse such as impact damage or water/chemical corrosion damage.

Improper Maintenance or Repair - This product must be maintained according to the procedures and schedules provided in the Operator's Manual, and serviced or repaired using genuine Briggs & Stratton parts or equivalent. Damage caused by lack of maintenance or use of non-original parts is not covered by warranty.

Normal Wear and Tear - Like most mechanical devices, your unit is subject to wear even when properly maintained. This warranty does not cover repairs when normal use has exhausted the life of a part or the equipment. Maintenance and wear items such as filters, belts, cutting blades, and brake pads (except engine brake pads) are not covered by warranty due to wear characteristics alone, unless the cause is due to defects in material or workmanship.

Stale or Unapproved Fuel - In order to function correctly, this product requires fresh fuel that conforms to the criteria specified in the Operator's Manual. Engine or equipment damage caused by stale fuel or the use of unapproved fuels (such as E15 or E85 ethanol blends) is not covered by warranty.

Other Exclusions - This warranty excludes damage due to accident, abuse, modifications, alterations, improper servicing, freezing or chemical deterioration. Attachments or accessories that were not originally packaged with the product are also excluded. There is no warranty coverage on equipment used for primary power in place of utility power or on equipment used in life support applications. This warranty does not include used, reconditioned, second-hand, or demonstration equipment or engines. This warranty also excludes failures due to acts of God and other force majeure events beyond the manufacturer's control.

80088366EN (Rev. A)