

Masport®

Outdoor Power Equipment

Log Splitter

Part Number
553001

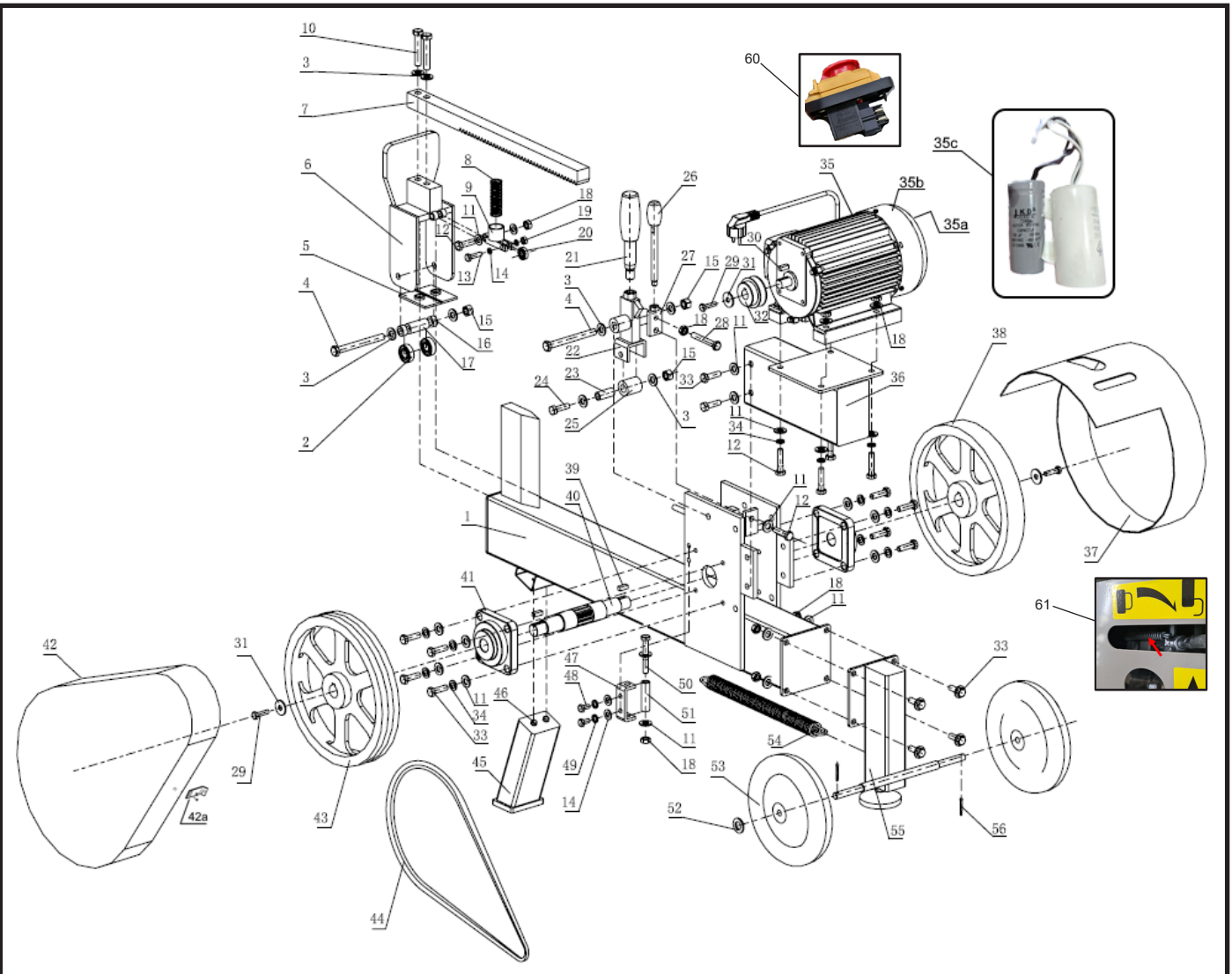
Model
8 Ton Kinetic

Month and Year of First Introduction: October 2017

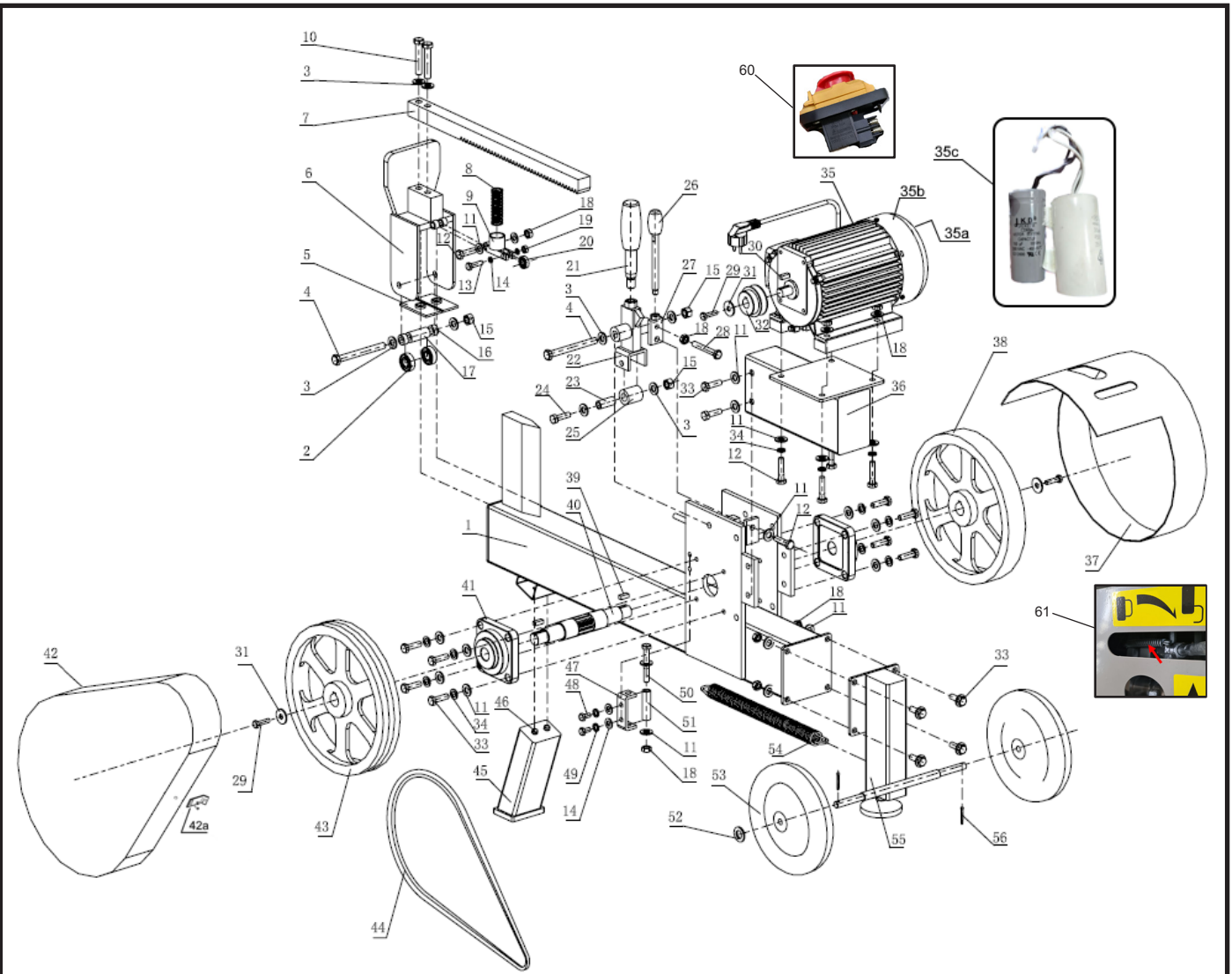
Serial Number Location



Issue B.2
Nov 2023 TV
ECN # 12583
IPL Ref # 753001



Item	Part #	Description	Qty	Item	Part #	Description	Qty
1	549733	Chassis Assy- Log Splitter, 8 Ton	1	20	549742	Bearing- Rack Lift	1
2	549738	Bearing- Guide, Nylon	1	21	548895	Handle- Splitting	1
3		Washer, Flat 12mm	1	22	549743	Bracket- Lever Activator	1
4		Bolt, M12 x 115 Hex	1	23	549744	Roller- Inner	1
5	548892	Slider- Guide, Nylon	1	24		Bolt, M12 x 65 Hex	1
6	548893	Pusher Assy- Log Splitter	1	25	549745	Roller- Outer	1
7	549732	Rack- Pusher, 8 Ton	1	26	548896	Handle- Lock/Unlock	1
8	549769	Spring- Rack Lift	1	27	549746	Plate- Lever Unlock	1
9	549739	Mount- Rack Lift	1	28		Bolt, M10 x 80 Hex	1
10		Bolt, M12 x 45 Hex	1	29		Bolt, M8 x 30 Hex	1
11		Washer, Flat 10mm	1	30	548897	Key- Square 6 x 6 x 25	1
12		Bolt, M10 x 45 Hex	1	31		Washer, Flat 8mm	1
13		Bolt, M8 x 35 Hex	1	32	549747	Pulley- Motor 3/4 X 60	1
14		Washer, Flat 8mm	1	33		Bolt, M10 x 30 Hex	1
15		Screw M12	1	34		Washer, Spring 10mm	1
16	549740	Bush, Short	2				
17	549741	Bush, Long	1				
18		Screw M10	1				
19		Screw M8	1				



Item	Part #	Description	Qty	Item	Part #	Description	Qty
35	549706	Motor Assy- 1600W	1	54	548906	Spring- Tension (long)	1
35a	549731	Fan- Motor	1	55	548907	Axle Assy- Log Splitter	1
35b	549799	Cowling- Motor	1	56		Pin, Cotter 3.2dia	1
35c	543627	Capacitor Set, Motor	1	57		Washer, Flat 6mm	1
36	549749	Base, Motor Mount, 8 Ton	1	58	549754	Handle, Lifting	1
37	548899	Guard Assy- Flywheel	1	59		Screw M6	1
38	549730	Flywheel, 8 Ton	1	60	543775	Switch, 4-Pin 16(12)A 5E4	1
39	548900	Key 8 x 7 x 30	2	61	543807	Spring- Tension, Handle - Safety	1
40	548901	Pinion- Driver	1	Not Illustrated			
41	549737	Bearing- Housing	1		549756	Bolt Pack	1
42	548902	Guard Assy- Pulley	1		549778	Cover- Switch Assy	1
42a	549725	Bracket- Guard Mount	1				
43	549751	Flywheel- Belt, 8 Ton	1				
44	548903	Belt-V A1295LI (1325LD)	1				
45	548904	Leg- Front	1				
46		Bolt, M6 x 16 Hex	1				
47	549752	Bracket, Side Roller	2				
48		Bolt, M8 x 15 Hex	1				
49		Washer, Spring 8mm	1				
50		Bolt, M10 x 90 Hex	1				
51	549753	Roller, Side	2				
52		Washer, Flat 12mm	1				
53	548905	Wheel Assy- 200mm	2				

When ordering spares: PLEASE QUOTE PART NUMBER & DESCRIPTION, NOT illustrated number. Item Qty = 1 per part unless stated differently.

BOLD TEXT = Assemblies. Descriptions starting with * = items included in the assemblies & may not be available as a spares item.

Determine the left or right hand sides by standing in the operating position (standing at the handle).