

362WS_35S

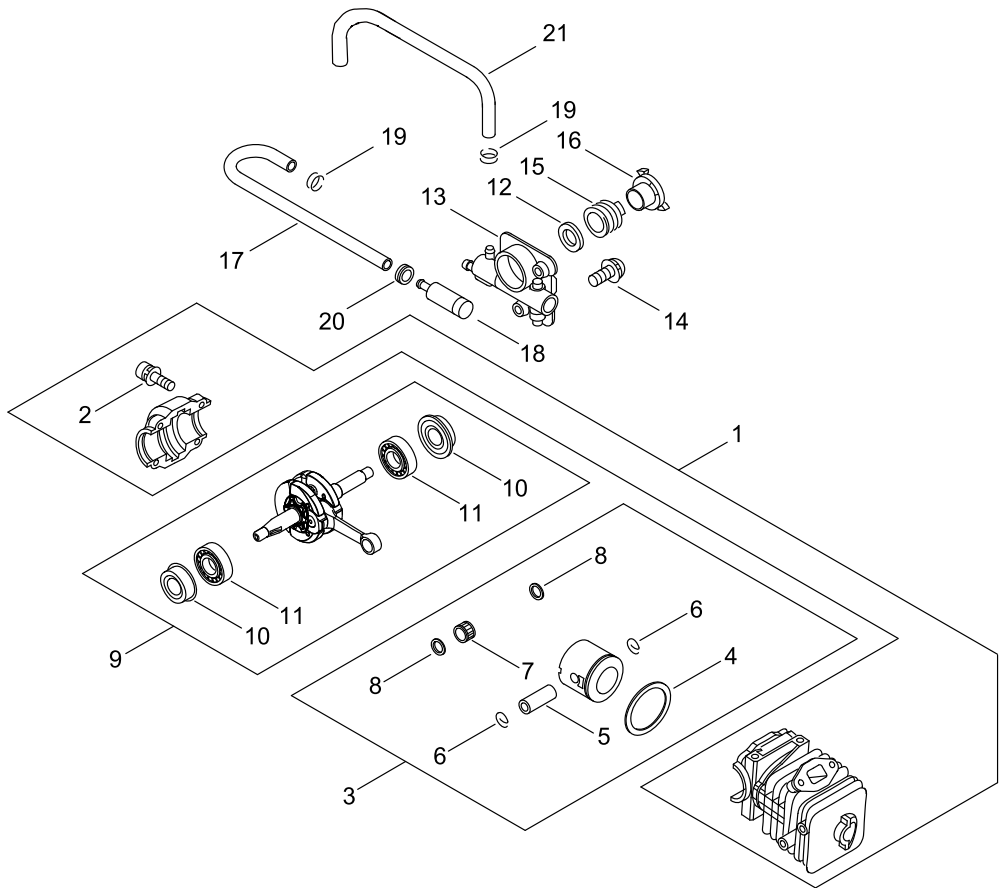
Serial number: 38001001-38999999

Last update date: 03/26/2020

TABLE OF CONTENTS

CYLINDER, PISTON, CRANKSHAFT.....	1
ENGINE COVER.....	3
MAGNETO.....	5
AIR CLEANER, CARBURETOR.....	7
CARBURETOR.....	9
MUFFLER.....	11
RECOIL STARTER.....	13
HANDLE.....	15
CHAIN BRAKE.....	17
ACCESSORIES.....	19
OILER.....	21
GUIDE BAR, CHAIN.....	23

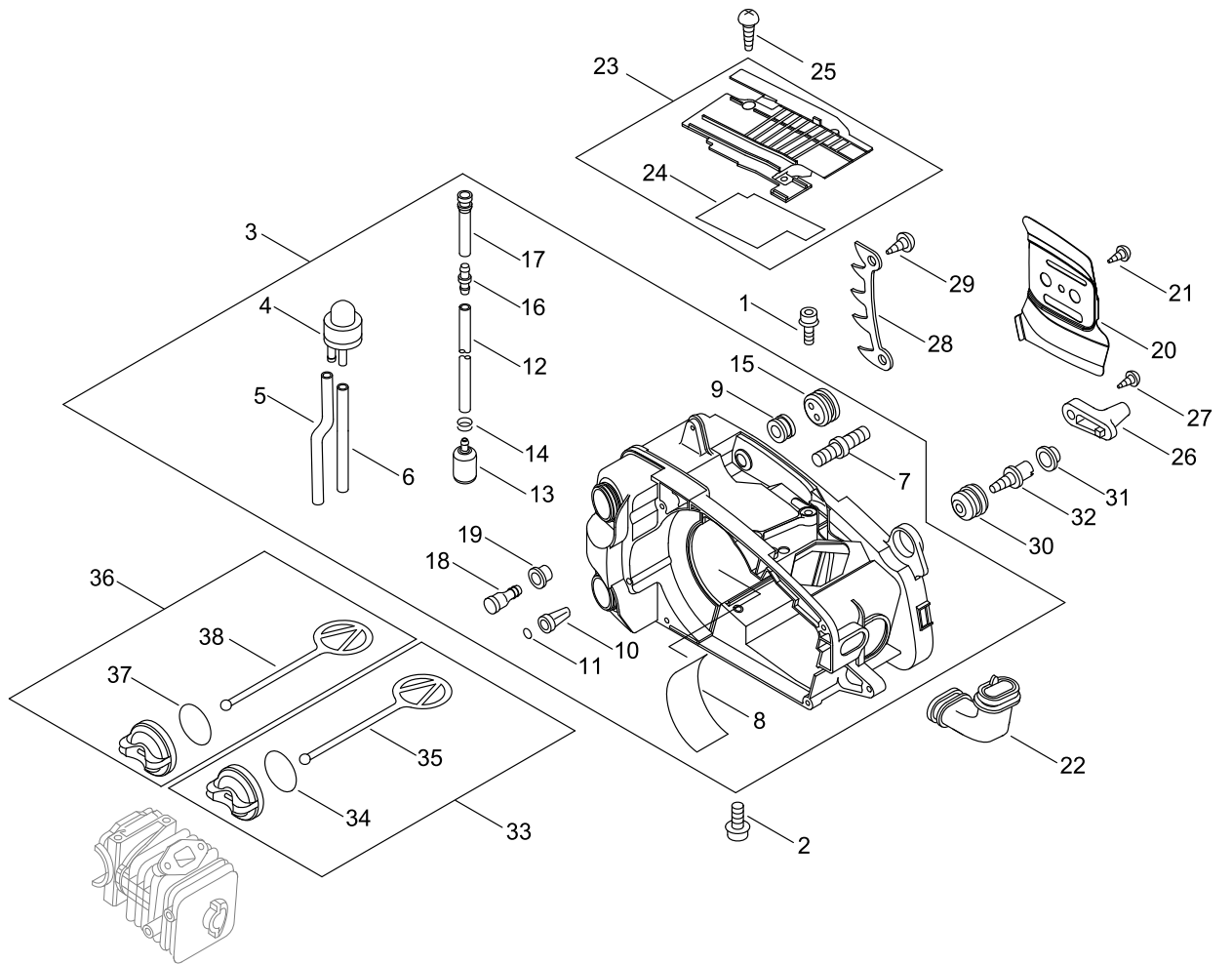
CYLINDER, PISTON, CRANKSHAFT



CYLINDER, PISTON, CRANKSHAFT

Key No.	LV (+)	Part No	Description	Qty	Standard
1		P100-006900	CRANKCASE SET	1	
2	+	900162-05025	BOLT HSH	4	5*25
3		P021-045440	PISTON KIT	1	
4	+	A101-000670	RING, PISTON	1	39*1.2*1.7
5	+	100013-15330	PIN, PISTON	1	5.5*8*29
6	+	100015-04630	CIRCLIP, PISTON PIN	2	
7	+	V553-000130	BEARING, NEEDLE 8	1	
8	+	100014-60930	SPACER, PISTON PIN	2	
9		P021-039160	CRANKSHAFT ASY	1	
10	+	V505-000011	SEAL, OIL 12	2	12*32*5.5
11	+	94035-36201	BEARING, BALL	2	6201
12		V308-000030	WASHER, CIRCULAR 11	1	10.5*17.4*1.8
13		C022-000020	AUTO-OILER ASSEMBLY	1	OP-7
14		900238-04012	SCREW	2	4*12
15		V652-000030	GEAR, WORM	1	
16		V356-000290	COLLAR, 10	1	
17		V471-000741	PIPE	1	3*6*160
18		P100-001900	STRAINER, OIL	1	
19		V490-001230	CLIP	2	
20		132115-01462	GROMMET	1	
21		V471-000761	PIPE	1	3*6*90

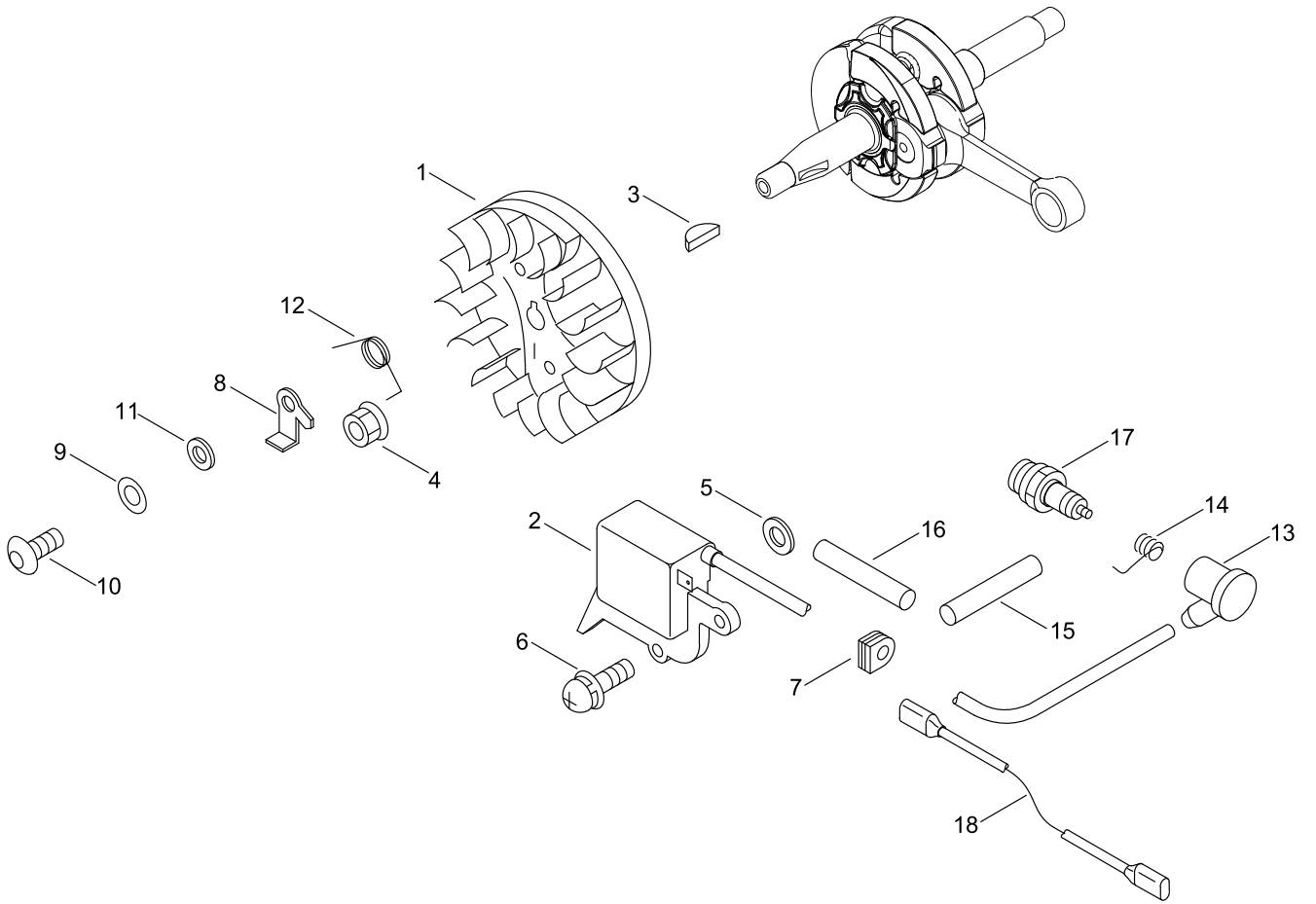
ENGINE COVER



ENGINE COVER

Key No.	LV (+)	Part No	Description	Qty	Standard
1		900106-05020	BOLT HSH, FLANGE	2	5*20
2		900106-05030	BOLT HSH, FLANGE	2	5*30
3		P100-006990	COVER ENGINE ASY	1	
4	+	123181-39130	PUMP, PRIMER	1	
5	+	V471-001441	PIPE	1	2.4*5*295
6	+	V471-001291	PIPE	1	2.4*5*75
7	+	V224-000031	BOLT,STUD 6	2	
8	+	V420-001110	CUSHION	1	
9	+	163911-30130	PLUG	1	
10	+	436114-13930	VALVE, CHECK	1	
11	+	900724-00004	O-RING	1	S-4
12	+	V471-000751	PIPE	1	3*5*260
13	+	A369-000420	STRAINER, FUEL	1	ES-16499
14	+	V490-001240	CLIP	1	
15	+	132115-44331	GROMMET, FUEL	1	
16	+	V186-000510	JOINT,PIPE	1	
17	+	V470-000322	PIPE	1	10*6*L32
18	+	131300-56431	VENT ASSEMBLY, FUEL	1	
19	+	V137-000001	GROMMET,FUEL	1	
20		C305-000080	PLATE,SPROCKET GUARD	1	T0.3
21		900253-04010	SCREW, TAPPING	1	4*10
22		A239-000030	PIPE,INTAKE	1	L TYPE
23		P021-008831	DUSTCOVER SET	1	
24	+	V341-000040	WASHER,SQUARE	1	
25		900253-04012	SCREW, TAPPING	2	4*12
26		433026-35430	CATCHER, CHAIN	1	
27		900253-05020	SCREW, TAPPING	1	5*20
28		C304-000000	SPIKE	1	
29		900253-05020	SCREW, TAPPING	1	5*20
30		100910-18830	CUSHION	1	
31		100918-15130	CAP	1	
32		V202-000020	BOLT,4	1	
33		P021-005581	CAP ASY	1	
34	+	900720-00018	O-RING	1	P-18
35	+	A365-000050	CONNECTOR,CAP	1	
36		P021-005601	CAP ASY	1	
37	+	900720-00018	O-RING	1	P-18
38	+	A365-000050	CONNECTOR,CAP	1	

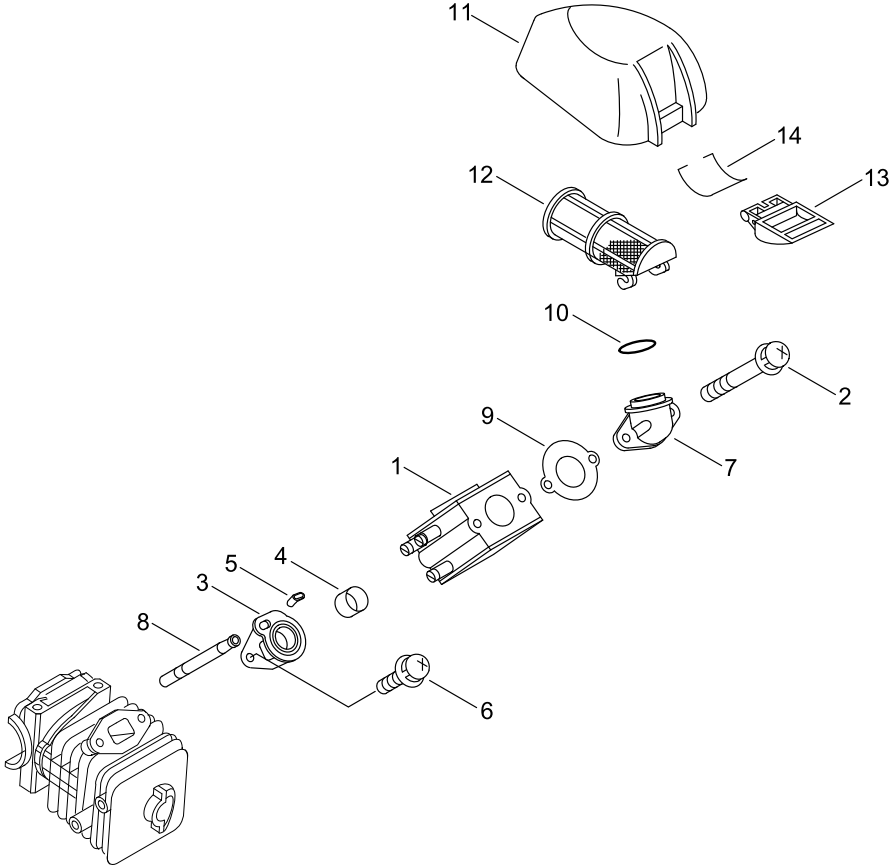
MAGNETO



MAGNETO

Key No.	LV (+)	Part No	Description	Qty	Standard
1		A409-001180	ROTOR, MAGNETO	1	
2		P021-048611	COIL, IGNITION	1	
3		100142-12330	KEY, WOODRUFF	1	
4		900515-00008	NUT, FLANGE	1	8
5		150117-16430	SPACER	2	
6		900238-05020	SCREW	2	5*20
7		156110-04920	BUSHING	1	
8		A514-000020	PAWL	2	
9		900603-00005	WASHER	2	5
10		V203-000080	BOLT,5	2	5*14
11		177247-04630	SPACER, RATCHET	2	5.2*8*2.1
12		177234-35430	SPRING, RETURN	2	
13		A427-000000	CAP,SPARK PLUG	1	
14		A426-000000	TERMINAL,SPARKPLUG	1	
15		V475-002390	TUBE	1	
16		V475-007430	TUBE	1	
17		A425-000000	SPARKPLUG	1	BPMR8Y
18		V485-000550	LEAD	1	AMP-187 AMP-250

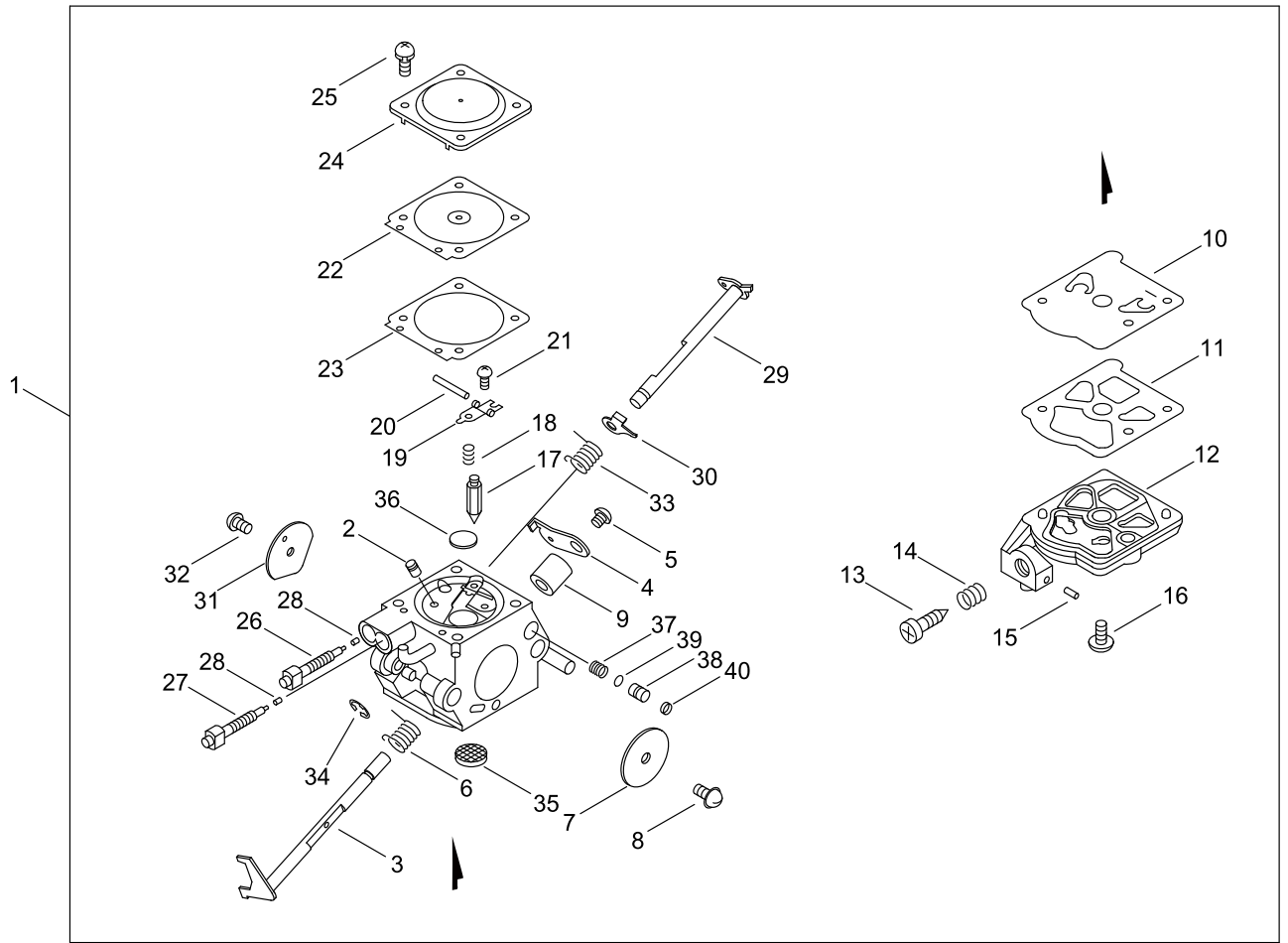
AIR CLEANER, CARBURETOR



AIR CLEANER, CARBURETOR

Key No.	LV (+)	Part No	Description	Qty	Standard
1		A021-004400	CARBURETOR, DIAPHRAGM	1	C1Q-2690
2		900238-05050	SCREW 5*50	2	5*50
3		A202-000033	BELLOWS,INTAKE	1	
4		V359-000060	COLLAR,16	1	
5		V351-000000	COLLAR,3	1	3.2*6.5
6		900238-05012	SCREW 5*12	2	5*12
7		A204-000060	ELBOW,CARBURETOR	1	
8		V470-000482	PIPE	1	
9		V103-001510	GASKET,INTAKE	1	
10		92505-10200	O-RING	1	JASO 1020
11		A232-000181	LID,CLEANER	1	
12		A226-001700	ELEMENT, AIR FILTER	1	
13		A235-000120	KNOB,CLEANER LID	1	
14		V582-000020	RING,SNAP	1	CSE2700

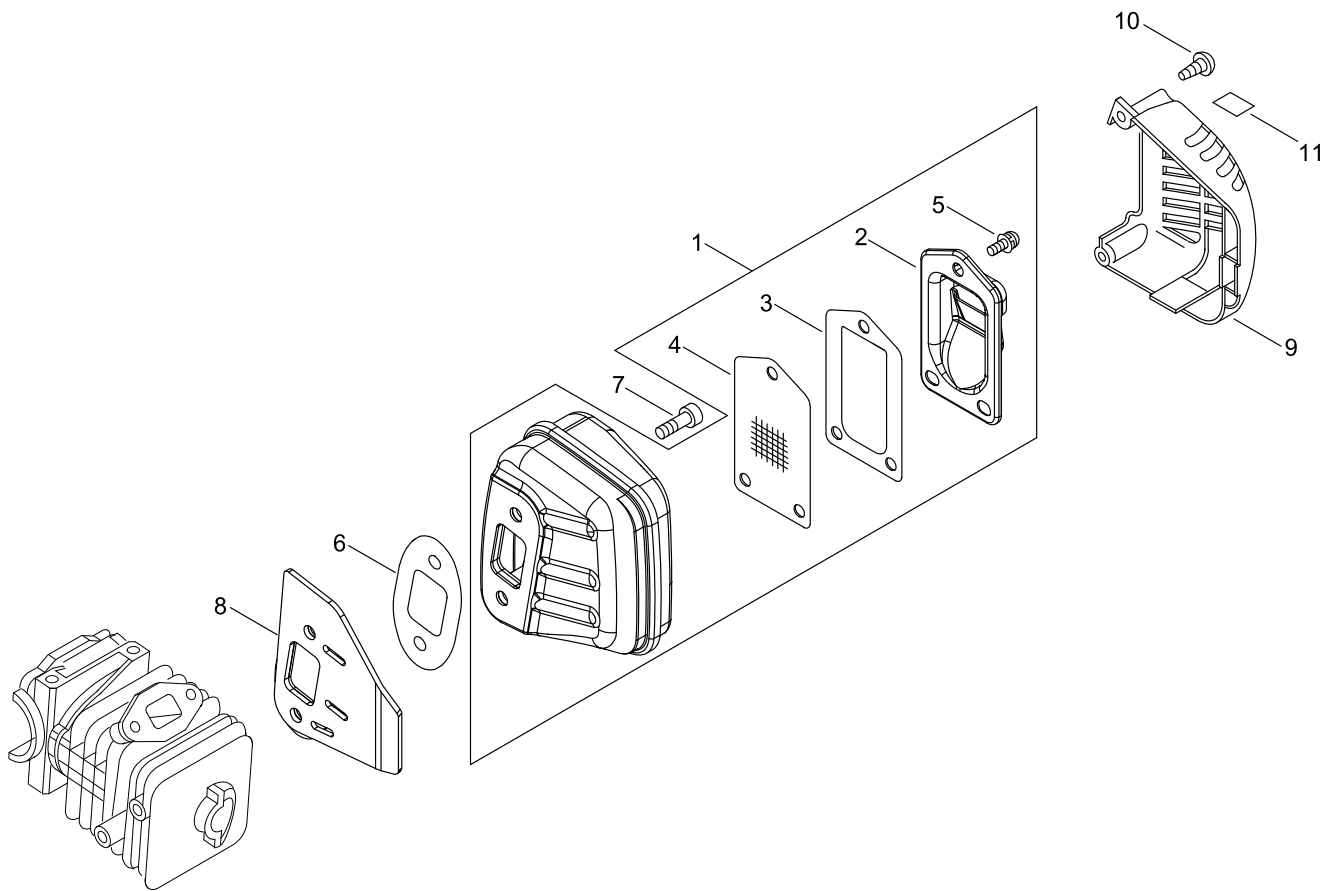
CARBURETOR



CARBURETOR

Key No.	LV (+)	Part No	Description	Qty	Standard
1		A021-004400	CARBURETOR, DIAPHRAGM	1	C1Q-2690
2	+	P005-003590	NOZZLE, CHECK VALVE	1	
3	+	P005-003600	SHAFT ASY, THROTTLE	1	
4	+	P005-003610	LEVER, THROTTLE	1	
5	+	125348-13930	SCREW	1	
6	+	P005-000790	SPRING, THRT. RETURN	1	
7	+	P005-003620	VALVE, THROTTLE	1	
8	+	125314-13930	SCREW	1	3*4
9	+	P005-003630	COLLAR	1	
10	+	P005-001110	DIAPHRAGM, PUMP	1	
11	+	125325-08360	GASKET, PUMP	1	
12	+	P005-003180	COVER, PUMP	1	
13	+	125344-08560	SCREW	1	
14	+	125333-33330	SPRING, IDLE ADJUST	1	
15	+	125378-13930	PIECE, FRICTION	1	
16	+	125310-13930	SCREW	1	
17	+	125337-08260	VALVE, INLET NEEDLE	1	
18	+	125322-11520	SPRING, COIL	1	
19	+	125323-08260	ARM, VALVE	1	
20	+	125338-13930	PIN, METERING ARM	1	
21	+	125339-13930	SCREW	1	
22	+	P005-003190	DIAPHRAGM ,METERING	1	
23	+	P005-003200	GASKET, METERING	1	
24	+	P005-003210	COVER, METERING	1	
25	+	P005-003220	SCREW	4	
26	+	P005-002370	NEEDLE, HIGH SPEED	1	
27	+	P005-002380	NEEDLE, IDLE	1	
28	+	125363-12820	RETAINER	2	
29	+	P005-002390	SHAFT, CHOKE	1	
30	+	P005-003050	LEVER, CHOKE	1	
31	+	P005-003640	VALVE, CHOKE	1	
32	+	125314-51230	SCREW	1	3*4.5
33	+	P005-003650	SPRING, CHOKE RETURN	1	
34	+	125327-15130	CLIP	1	
35	+	P005-000860	SCREEN, FUEL INLET	1	
36	+	P005-002400	PLUG, WELCH	1	
37	+	P005-003660	SPRING	1	
38	+	P005-003670	PLUNGER	1	
39	+	P005-003680	O-RING	1	
40	+	P005-003690	PLUG	1	

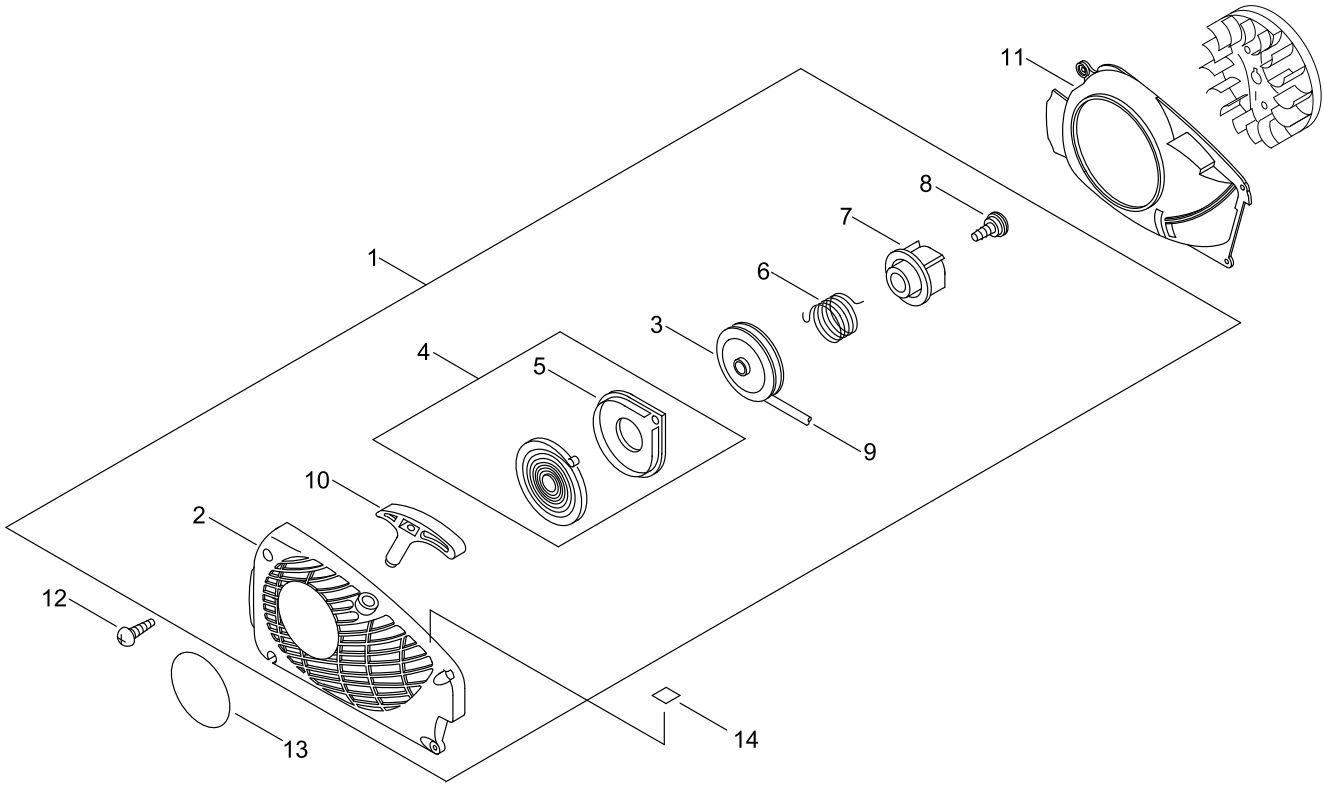
MUFFLER



MUFFLER

Key No.	LV (+)	Part No	Description	Qty	Standard
1		P021-045451	MUFFLER ASY	1	
2	+	A313-001980	GUIDE, EXHAUST	1	ID#2140
3	+	V104-001980	GASKET,EXHAUST	1	
4	+	A310-000431	SCREEN, ARRESTOR	1	
5	+	900242-04010	SCREW 4*10	3	4*10
6		V104-001960	GASKET,EXHAUST	1	
7		900105-05018	BOLT, H.S. 5*18	2	5*18
8		A312-000070	PLATE, EXHUST	1	
9		A320-001150	COVER,MUFFLER	1	FOR CAT MUFF
10		900253-04016	SCREW 4*16	2	4*16
11		X505-007710	LABEL,CAUTION	1	

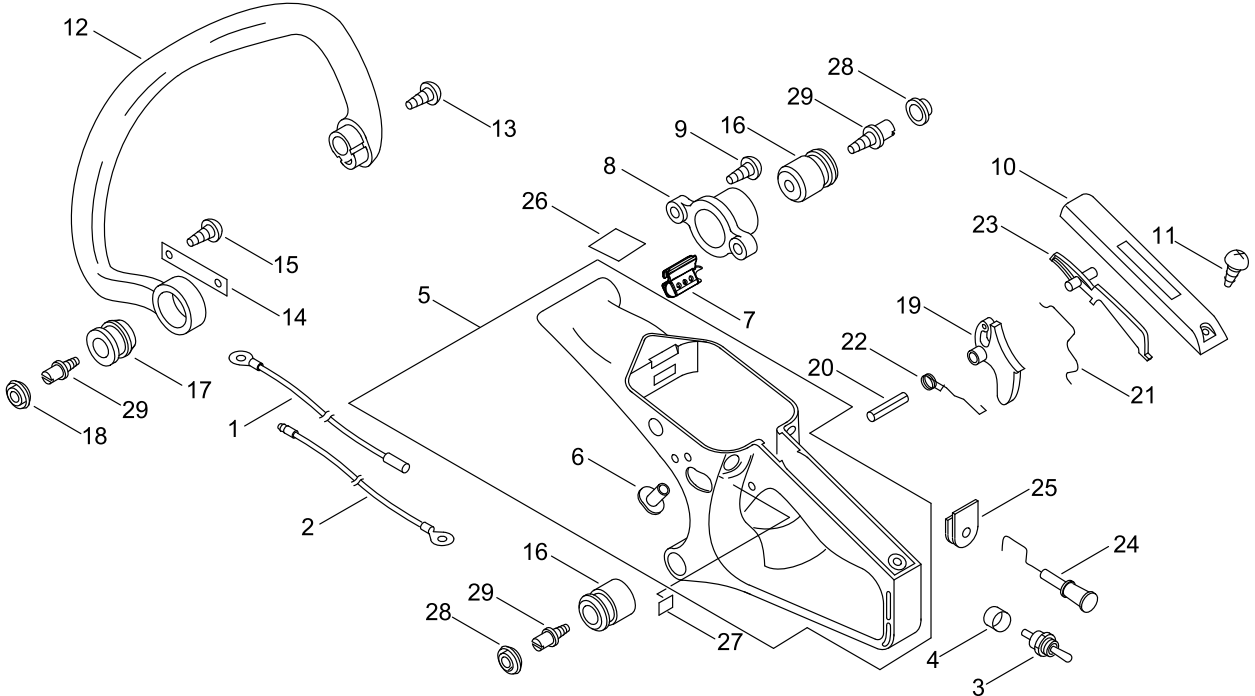
RECOIL STARTER



RECOIL STARTER

Key No.	LV (+)	Part No	Description	Qty	Standard
1		A051-003120	STARTER,RECOIL	1	
2	+	P022-043740	CASE,STARTER ASY	1	
3	+	A506-000460	REEL,ROPE	1	
4	+	P022-001330	SPRING KIT, REWIND	1	
5	++	P022-033280	SPRING CASE	1	
6	+	V452-001320	SPRING,TORSION	1	
7	+	A507-000110	CATCHER,PAWL	1	
8	+	177236-61830	SCREW	1	
9	+	P022-008440	ROPE, STARTER	1	3.5*900
10	+	P022-005891	GRIP, STARTER	1	
11		A172-002190	COVER,FAN	1	
12		900256-04016	SCREW 4*16	4	4*16
13		X562-001260	LABEL,SHINDAIWA	1	362WS RECOIL
14		X505-000181	LABEL,CAUTION	1	

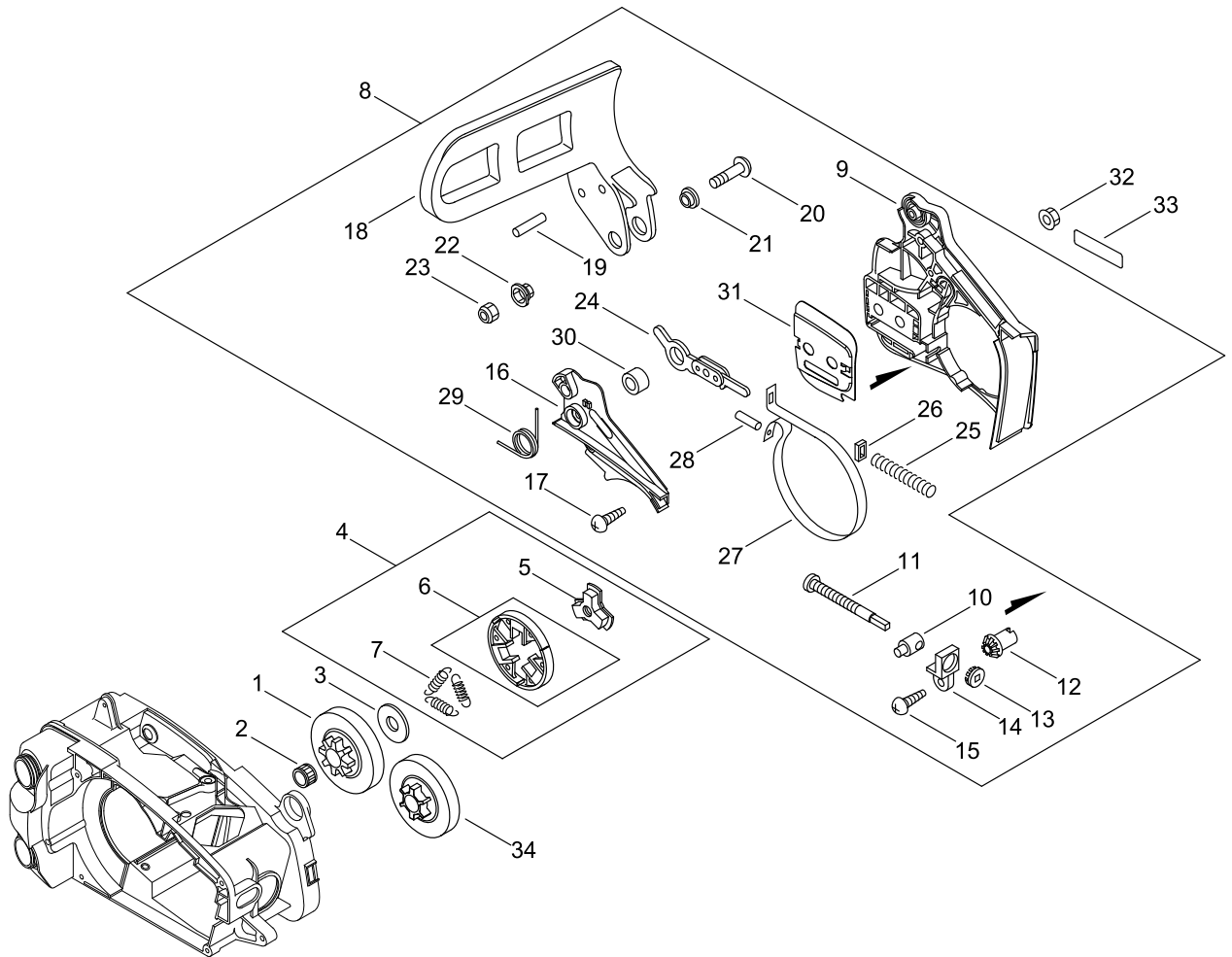
HANDLE



HANDLE

Key No.	LV (+)	Part No	Description	Qty	Standard
1		V485-000560	LEAD	1	CB-104 LA-105
2		V485-000571	LEAD	1	
3		163400-38430	SWITCH, IGNITION	1	
4		A472-000091	CASE, SWITCH	1	
5		C410-000313	HANDLE, REAR	1	
6	+	130020-33330	NUT	2	
7		V142-000020	GROMMET, DUST	1	
8		V424-000000	SLEEVE, CUSHION	1	
9		900253-04016	SCREW 4*16	2	4*16
10		C411-000001	LID, HANDLE	1	
11		900253-04012	SCREW	1	4*12
12		C400-000321	HANDLE, FRONT	1	
13		900253-05020	SCREW 5*20	2	5*20
14		C617-000200	STOPPER	1	
15		900253-04008	SCREW 4*8	1	4*8
16		V400-000070	CUSHION, 4	2	
17		V401-000120	CUSHION, 5	1	
18		100918-14330	CAP, CUSHION	1	
19		C450-000121	TRIGGER, THROTTLE	1	
20		900345-40025	PIN, SPRING 4*25SUS	1	4*25SUS
21		C454-000110	ROD, THROTTLE	1	
22		V452-000260	SPRING, TORSION	1	
23		C460-000030	LOCKOUT, THROTTLE	1	
24		A241-000050	KNOB, CHOKE	1	
25		V130-000010	GROMMET, CHOKE	1	
26		890345-39231	LABEL, CAUTION	1	
27		890157-39131	LABEL, SWITCH	1	
28		100918-15130	CAP	2	
29		V202-000020	BOLT, 4	3	

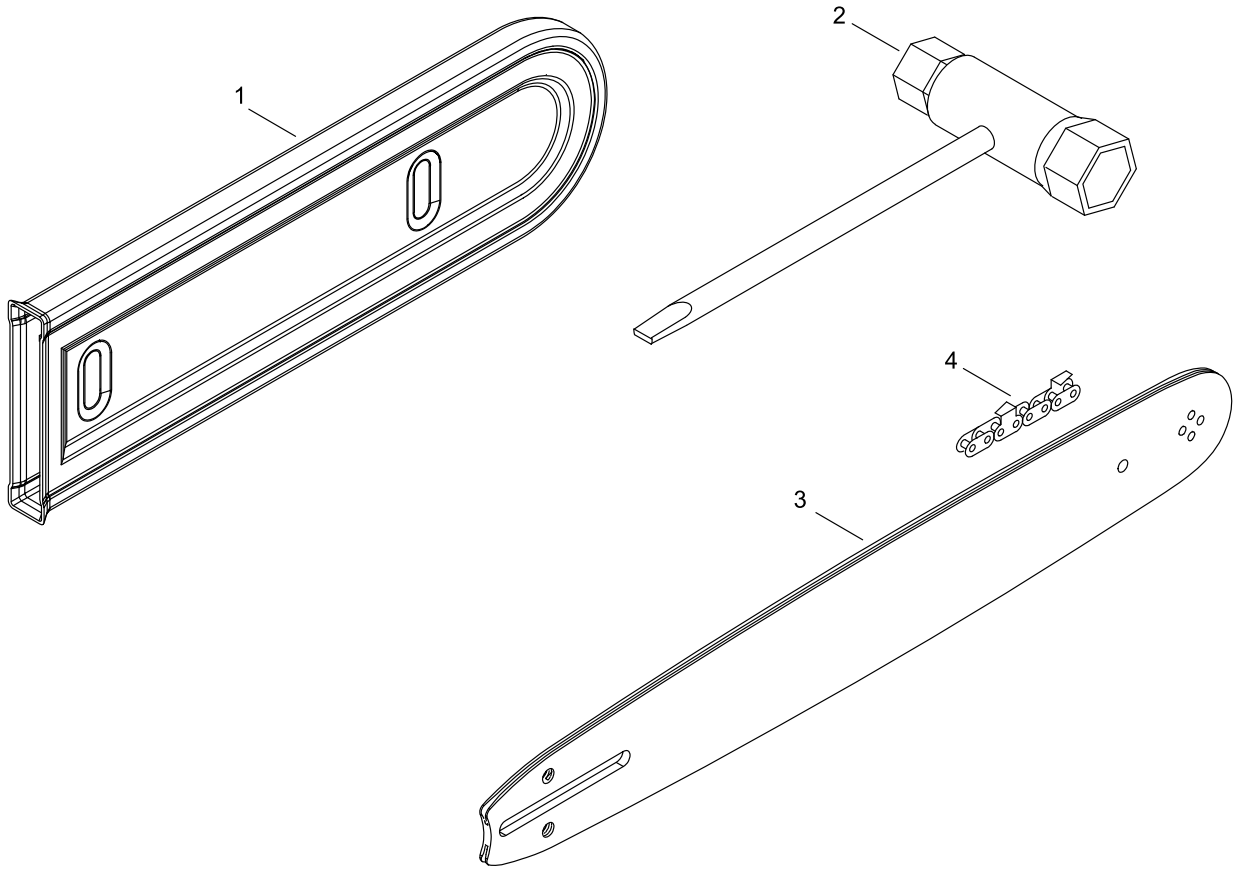
CHAIN BRAKE



CHAIN BRAKE

Key No.	LV (+)	Part No	Description	Qty	Standard
1		175005-39133	DRUM, CLUTCH	1	3/8 6T
2		V555-000170	BEARING, NEEDLE 10	1	8E- KV10*13*12.8
3		A551-000010	PLATE, CLUTCH	1	
4		A056-000071	CLUTCH	1	
5	+	A552-000020	HUB, CLUTCH	1	
6	+	P021-005811	CLUTCH SHOE SET	1	
7	+	V451-000470	SPRING, TENSION	3	
8		P021-049950	BRAKE, ASM CHAIN	1	
9	+	C300-000262	GUARD, SPROCKET	1	
10	+	C309-000030	TENSIONER, CHAIN	1	
11	+	V203-000041	BOLT, 5	1	
12	+	V651-000001	GEAR, BEVEL	1	
13	+	V651-000011	GEAR, BEVEL	1	
14	+	V355-000140	COLLAR, 8	1	
15	+	900253-04012	SCREW, TAPPING	1	4*12
16	+	C345-000171	COVER, BRAKE	1	
17	+	900253-04012	SCREW, TAPPING	3	4*12
18	+	C320-000047	LEVER, BRAKE	1	
19	+	900330-30260	ROLLER	2	3*26
20	+	91318-05032	SCREW	1	5*32
21	+	433167-39130	SPACER	1	
22	+	V353-000060	COLLAR, 5	1	
23	+	900562-50005	NUT, LOCK	1	5
24	+	C334-000070	CONNECTOR, BRAKE	1	
25	+	V450-000070	SPRING, COMPRESSION	1	
26	+	V376-000450	SPACER	1	
27	+	C328-000030	BAND, BRAKE	1	
28	+	93050-30098	ROLLER	1	3*9.8
29	+	V452-000110	SPRING, TORSION	1	
30	+	433116-35430	SPACER 8	1	8*12*9
31	+	C305-000091	PLATE, SPROCKET GUARD	1	T0.5
32		433019-03933	NUT, FLANGE 6	2	6
33		X562-001270	LABEL, SHINDAIWA	1	362WS SPROCKET
34		175007-39233	DRUM, CLUTCH 1/4	1	1/4 8T

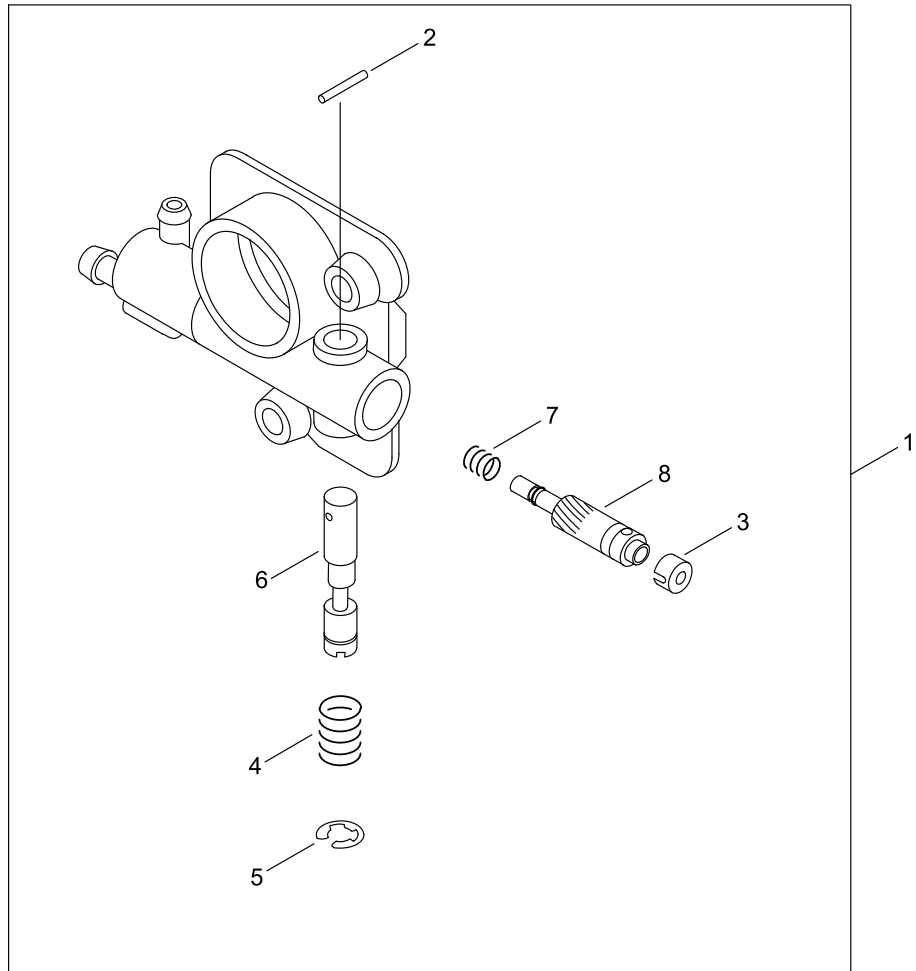
ACCESSORIES



ACCESSORIES

Key No.	LV (+)	Part No	Description	Qty	Standard
1		X490-000410	CHAIN COVER	1	
2		895410-03930	WRENCH, W/S. DRIVER	1	
3		X123-000561	BAR,GUIDE 35	1	C35S91-53ML-SC
4		X223-000080	CHAIN,SAW	1	91VXL-53E



OILER



OILER

Key No.	LV (+)	Part No	Description	Qty	Standard
1		C022-000020	AUTO-OILER ASSEMBLY	1	OP-7
2	+	P003-002180	PIN, SPRING	1	
3	+	437062-38330	CAP, OIL PUMP	1	
4	+	437015-37330	SPRING	1	
5	+	123127-15030	RING	1	
6	+	P003-001370	NEEDLE-ADJ	1	
7	+	437019-38330	SPRING	1	
8	+	437024-37330	PLUNGER	1	

GUIDE BAR, CHAIN

Pitch ピッチ (inch) (mm)	Gauge ゲージ (inch) (mm)	Length 長さ (cm)	Guide Bar ガイドバー		Saw Chain ソーチェン		Hard Nose ハード ノーズ 	Sprocket Nose スプロケット ノーズ 
			Key №	Type 形式	Key №	Type 形式		
3/8 9.53	0.050 1.27	30	A1	C30S91-47ML- SC	A2	91VXL-47E		●
					A3	91PX-47E		●
3/8 9.53	0.050 1.27	35	B1	C35S91-53ML- SC	B2	91VXL-53E		●
					B3	91PX-53E		●
3/8 9.53	0.050 1.27	40	C1	C40S91-58AA- ST	C2	91VXL-58E		●
					C3	91PX-58E		●
1/4 6.35	0.050 1.27	30	D1	C30H25-68CL- SD	D2	25AP-68E	●	
					D3	25A-68E	●	
1/4 6.35	0.050 1.27	35	E1	C35H25-76CL- ST	E2	25AP-76E	●	
					E3	25A-76E	●	

GUIDE BAR, CHAIN

Key No.	LV (+)	Part No	Description	Qty	Standard
A1		X122-000351	BAR,GUIDE 30	1	C30S91-47ML-SC
A2		X222-000130	CHAIN,SAW	1	91VXL-47E
A3		X222-000140	CHAIN,SAW	1	91PX-47E
B1		X123-000561	BAR,GUIDE 35	1	C35S91-53ML-SC
B2		X223-000080	CHAIN,SAW	1	91VXL-53E
B3		X223-000130	CHAIN,SAW	1	91PX-53E
C1		X124-000211	BAR,GUIDE 40	1	C40S91-58AA-ST
C2		X224-000030	CHAIN,SAW	1	91VXL-58E
C3		X224-000070	CHAIN,SAW	1	91PX-58E
D1		X102-000100	BAR,GUIDE 30	1	C30H25-68CL-SD
D2		431611-10030	CHAIN, SAW 25AP-68E	1	25AP-68E
D3		X202-000010	CHAIN,SAW	1	25A-68E
E1		X103-000150	BAR,GUIDE 35	1	C35H25-76CL-ST
E2		431612-10030	CHAIN, SAW 25AP-76E	1	25AP-76E
E3		X203-000000	CHAIN,SAW	1	25A-76E

NUMERICAL PARTS INDEX

Part No	Part description	Page	Part No	Part description	Page	Part No	Part description	Page
100013-15330	PIN, PISTON	2	437015-37330	SPRING	22	A204-000060	ELBOW,CARBURETOR	8
100014-60930	SPACER, PISTON PIN	2	437019-38330	SPRING	22	A226-001700	ELEMENT, AIR FILTER	8
100015-04630	CIRCLIP, PISTON PIN	2	437024-37330	PLUNGER	22	A232-000181	LID,CLEANER	8
100142-12330	KEY, WOODRUFF	6	437062-38330	CAP, OIL PUMP	22	A235-000120	KNOB,CLEANER LID	8
100910-18830	CUSHION	4	890157-39131	LABEL, SWITCH	16	A239-000030	PIPE,INTAKE	4
100918-14330	CAP, CUSHION	16	890345-39231	LABEL,CAUTION	16	A241-000050	KNOB,CHOKE	16
100918-15130	CAP	4	895410-03930	WRENCH, W/S. DRIVER	20	A310-000431	SCREEN, ARRESTOR	12
100918-15130	CAP	16	900105-05018	BOLT, H.S. 5*18	12	A312-000070	PLATE, EXHUST	12
123127-15030	RING	22	900106-05020	BOLT HSH, FLANGE	4	A313-001980	GUIDE, EXHAUST	12
123181-39130	PUMP, PRIMER	4	900106-05030	BOLT HSH, FLANGE	4	A320-001150	COVER,MUFFLER	12
125310-13930	SCREW	10	900162-05025	BOLT HSH	2	A365-000050	CONNECTOR,CAP	4
125314-13930	SCREW	10	900238-04012	SCREW	2	A369-000420	STRAINER, FUEL	4
125314-51230	SCREW	10	900238-05012	SCREW 5*12	8	A409-001180	ROTOR, MAGNETO	6
125322-11520	SPRING, COIL	10	900238-05020	SCREW	6	A425-000000	SPARKPLUG	6
125323-08260	ARM, VALVE	10	900238-05050	SCREW 5*50	8	A426-000000	TERMINAL,SPARKPLUG	6
125325-08360	GASKET, PUMP	10	900242-04010	SCREW 4*10	12	A427-000000	CAP,SPARK PLUG	6
125327-15130	CLIP	10	900253-04008	SCREW 4*8	16	A472-000091	CASE,SWITCH	16
125333-33330	SPRING, IDLE ADJUST	10	900253-04010	SCREW, TAPPING	4	A506-000460	REEL,ROPE	14
125337-08260	VALVE, INLET NEEDLE	10	900253-04012	SCREW, TAPPING	4	A507-000110	CATCHER,PAWL	14
125338-13930	PIN, METERING ARM	10	900253-04012	SCREW	16	A514-000020	PAWL	6
125339-13930	SCREW	10	900253-04012	SCREW, TAPPING	18	A551-000010	PLATE,CLUTCH	18
125344-08560	SCREW	10	900253-04016	SCREW 4*16	12	A552-000020	HUB,CLUTCH	18
125348-13930	SCREW	10	900253-04016	SCREW 4*16	16	C022-000020	AUTO-OILER ASSEMBLY	2
125363-12820	RETAINER	10	900253-05020	SCREW, TAPPING	4	C022-000020	AUTO-OILER ASSEMBLY	22
125378-13930	PIECE, FRICTION	10	900253-05020	SCREW 5*20	16	C300-000262	GUARD,SPROCKET	18
130020-33330	NUT	16	900256-04016	SCREW 4*16	14	C304-000000	SPIKE	4
131300-56431	VENT ASSEMBLY, FUEL	4	900330-30260	ROLLER	18	C305-000080	PLATE,SPROCKET GUARD	4
132115-01462	GROMMET	2	900345-40025	PIN, SPRING 4*25SUS	16	C305-000091	PLATE,SPROCKET GUARD	18
132115-44331	GROMMET, FUEL	4	900515-00008	NUT, FLANGE	6	C309-000030	TENSIONER,CHAIN	18
150117-16430	SPACER	6	900562-50005	NUT, LOCK	18	C320-000047	LEVER,BRAKE	18
156110-04920	BUSHING	6	900603-00005	WASHER	6	C328-000030	BAND,BRAKE	18
163400-38430	SWITCH, IGNITION	16	900720-00018	O-RING	4	C334-000070	CONNECTOR,BRAKE	18
163911-30130	PLUG	4	900724-00004	O-RING	4	C345-000171	COVER,BRAKE	18
175005-39133	DRUM, CLUTCH	18	91318-05032	SCREW	18	C400-000321	HANDLE,FRONT	16
175007-39233	DRUM, CLUTCH 1/4	18	92505-10200	O-RING	8	C410-000313	HANDLE,REAR	16
177234-35430	SPRING, RETURN	6	93050-30098	ROLLER	18	C411-000001	LID,HANDLE	16
177236-61830	SCREW	14	94035-36201	BEARING, BALL	2	C450-000121	TRIGGER,THROTTLE	16
177247-04630	SPACER, RATCHET	6	A021-004400	CARBURETOR, DIAPHRAGM	8	C454-000110	ROD, THROTTLE	16
431611-10030	CHAIN, SAW 25AP-68E	24	A021-004400	CARBURETOR, DIAPHRAGM	10	C460-000030	LOCKOUT,THROTTLE	16
431612-10030	CHAIN, SAW 25AP-76E	24	A051-003120	STARTER,RECOIL	14	C617-000200	STOPPER	16
433019-03933	NUT, FLANGE 6	18	A056-000071	CLUTCH	18	P003-001370	NEEDLE-ADJ	22
433026-35430	CATCHER, CHAIN	4	A101-000670	RING, PISTON	2	P003-002180	PIN, SPRING	22
433116-35430	SPACER 8	18	A172-002190	COVER,FAN	14	P005-000790	SPRING,THRT.RETURN	10
433167-39130	SPACER	18	A202-000033	BELLOWS,INTAKE	8	P005-000860	SCREEN, FUEL INLET	10
436114-13930	VALVE, CHECK	4						

NUMERICAL PARTS INDEX

Part No	Part description	Page	Part No	Part description	Page	Part No	Part description	Page
P005-001110	DIAPHRAGM, PUMP	10	V186-000510	JOINT,PIPE	4	X103-000150	BAR,GUIDE 35	24
P005-002370	NEEDLE, HIGH SPEED	10	V202-000020	BOLT,4	4	X122-000351	BAR,GUIDE 30	24
P005-002380	NEEDLE, IDLE	10	V202-000020	BOLT,4	16	X123-000561	BAR,GUIDE 35	20
P005-002390	SHAFT, CHOKE	10	V203-000041	BOLT,5	18	X123-000561	BAR,GUIDE 35	24
P005-002400	PLUG, WELCH	10	V203-000080	BOLT,5	6	X124-000211	BAR,GUIDE 40	24
P005-003050	LEVER, CHOKE	10	V224-000031	BOLT,STUD 6	4	X202-000010	CHAIN,SAW	24
P005-003180	COVER, PUMP	10	V308-000030	WASHER,CIRCULAR 11	2	X203-000000	CHAIN,SAW	24
P005-003190	DIAPHRAGM ,METERING	10	V341-000040	WASHER,SQUARE	4	X222-000130	CHAIN,SAW	24
P005-003200	GASKET, METERING	10	V351-000000	COLLAR,3	8	X222-000140	CHAIN,SAW	24
P005-003210	COVER, METERING	10	V353-000060	COLLAR,5	18	X223-000080	CHAIN,SAW	20
P005-003220	SCREW	10	V355-000140	COLLAR,8	18	X223-000080	CHAIN,SAW	24
P005-003590	NOZZLE, CHECK VALVE	10	V356-000290	COLLAR,10	2	X223-000130	CHAIN,SAW	24
P005-003600	SHAFT ASY,THROTTLE	10	V359-000060	COLLAR,16	8	X224-000030	CHAIN,SAW	24
P005-003610	LEVER, THROTTLE	10	V376-000450	SPACER	18	X224-000070	CHAIN,SAW	24
P005-003620	VALVE, THROTTLE	10	V400-000070	CUSHION,4	16	X490-000410	CHAIN COVER	20
P005-003630	COLLAR	10	V401-000120	CUSHION,5	16	X505-000181	LABEL,CAUTION	14
P005-003640	VALVE, CHOKE	10	V420-001110	CUSHION	4	X505-007710	LABEL,CAUTION	12
P005-003650	SPRING, CHOKE RETURN	10	V424-000000	SLEEVE,CUSHION	16	X562-001260	LABEL,SHINDAIWA	14
P005-003660	SPRING	10	V450-000070	SPRING,COMPRESSION	18	X562-001270	LABEL,SHINDAIWA	18
P005-003670	PLUNGER	10	V451-000470	SPRING,TENSION	18			
P005-003680	O-RING	10	V452-000110	SPRING,TORSION	18			
P005-003690	PLUG	10	V452-000260	SPRING,TORSION	16			
P021-005581	CAP ASY	4	V452-001320	SPRING,TORSION	14			
P021-005601	CAP ASY	4	V470-000322	PIPE	4			
P021-005811	CLUTCH SHOE SET	18	V470-000482	PIPE	8			
P021-008831	DUSTCOVER SET	4	V471-000741	PIPE	2			
P021-039160	CRANKSHAFT ASY	2	V471-000751	PIPE	4			
P021-045440	PISTON KIT	2	V471-000761	PIPE	2			
P021-045451	MUFFLER ASY	12	V471-001291	PIPE	4			
P021-048611	COIL, IGNITION	6	V471-001441	PIPE	4			
P021-049950	BRAKE,ASM CHAIN	18	V475-002390	TUBE	6			
P022-001330	SPRING KIT, REWIND	14	V475-007430	TUBE	6			
P022-005891	GRIP, STARTER	14	V485-000550	LEAD	6			
P022-008440	ROPE, STARTER	14	V485-000560	LEAD	16			
P022-033280	SPRING CASE	14	V485-000571	LEAD	16			
P022-043740	CASE,STARTER ASY	14	V490-001230	CLIP	2			
P100-001900	STRAINER, OIL	2	V490-001240	CLIP	4			
P100-006900	CRANKCASE SET	2	V505-000011	SEAL,OIL 12	2			
P100-006990	COVER ENGINE ASY	4	V553-000130	BEARING,NEEDLE 8	2			
V103-001510	GASKET,INTAKE	8	V555-000170	BEARING,NEEDLE 10	18			
V104-001960	GASKET,EXHAUST	12	V582-000020	RING,SNAP	8			
V104-001980	GASKET,EXHAUST	12	V651-000001	GEAR,BEVEL	18			
V130-000010	GROMMET,CHOKE	16	V651-000011	GEAR,BEVEL	18			
V137-000001	GROMMET,FUEL	4	V652-000030	GEAR,WORM	2			
V142-000020	GROMMET,DUST	16	X102-000100	BAR,GUIDE 30	24			