

**451S**

**Serial number: 38000001-38999999**

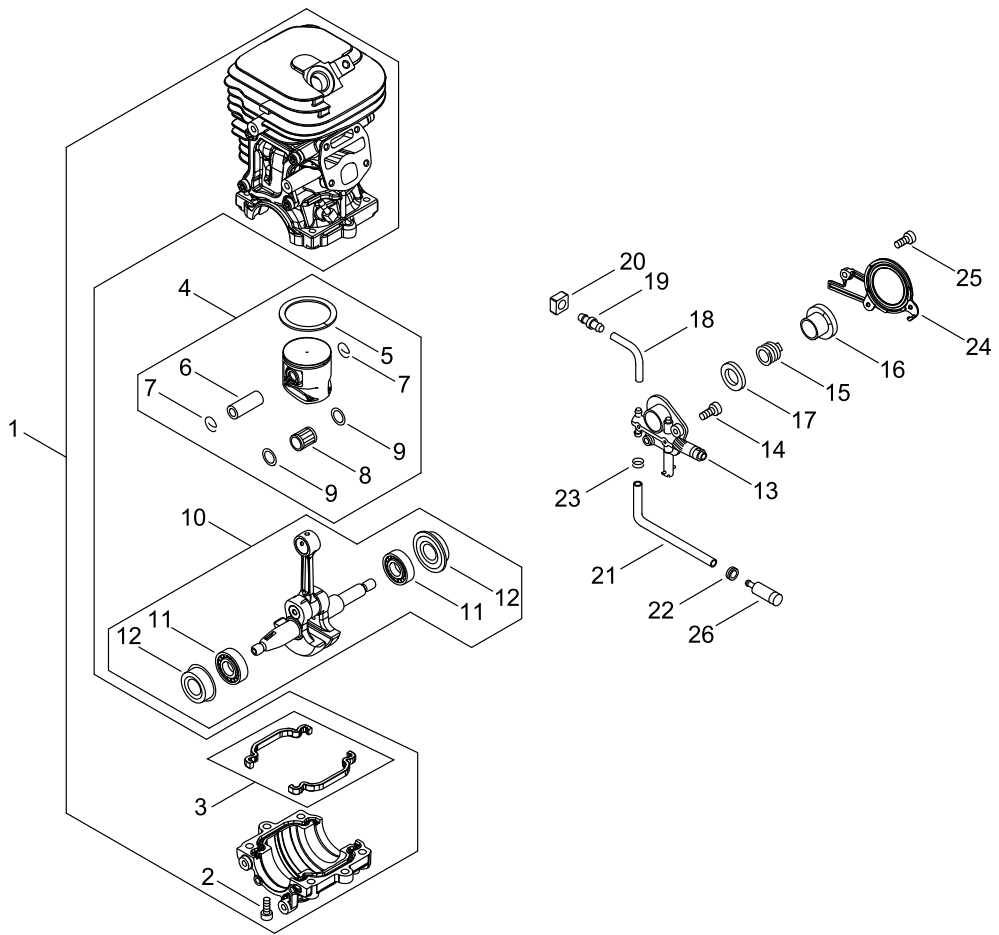
**Last update date: 01/28/2020**

## TABLE OF CONTENTS

---

CYLINDER, PISTON, CRANKSHAFT.....	1
ENGINE COVER.....	3
MAGNETO.....	5
AIR CLEANER, CARBURETOR.....	7
CARBURETOR.....	9
MUFFLER.....	11
RECOIL STARTER.....	13
HANDLE.....	15
CHAIN BRAKE.....	17
ACCESSORIES.....	19
OILER.....	21
GUIDE BAR, CHAIN.....	23

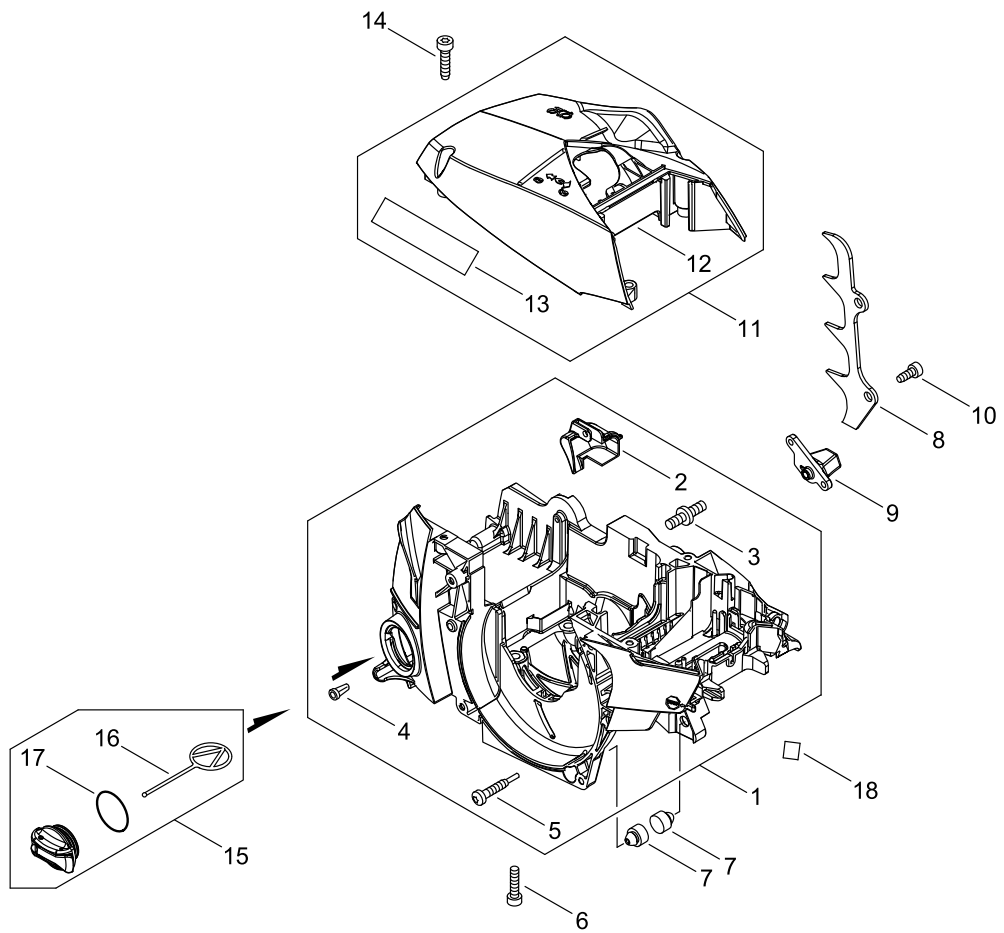
# CYLINDER, PISTON, CRANKSHAFT



## CYLINDER, PISTON, CRANKSHAFT

Key No.	LV (+)	Part No	Description	Qty	Standard
1		P100-004570	CRANKCASE SET	1	
2	+	V805-000250	BOLT, TORX 5	2	TB-5*16 12.9
3	+	P200-000890	SEAL SET	1	
4		P100-004580	PISTON KIT	1	
5	+	A101-000710	RING, PISTON	1	Φ43*1.5*1.8
6	+	100013-39730	PIN, PISTON	1	
7	+	V580-000010	RING,END	2	10
8	+	V555-000140	BEARING,NEEDLE	1	
9	+	100014-17330	SPACER, PISTON PIN	2	
10		P100-004590	CRANKSHAFT ASY	1	
11	+	900810-36202	BEARING, BALL	2	6202
12	+	V508-000110	SEAL,OIL 15	2	
13		C022-000010	OILER,ASM AUTO	1	
14		V805-000140	BOLT, TORX 5	2	TB-5*12 10.9
15		V652-000030	GEAR,WORM	1	
16		V356-000390	COLLAR,10	1	
17		V308-000030	WASHER,CIRCULAR 11	1	10.5*17.4*1.8
18		V471-005191	PIPE	1	3*6*49
19		V187-000010	NIPPLE	1	
20		A203-000090	SEAL	1	
21		V471-005201	PIPE	1	3*6*200
22		132115-01462	GROMMET	1	
23		V490-001230	CLIP	1	
24		C236-000160	COVER,OILER	1	
25		V804-000000	BOLT, TORX 4	1	TT-4*12 DG 10.9
26		P100-001900	STRAINER, OIL	1	

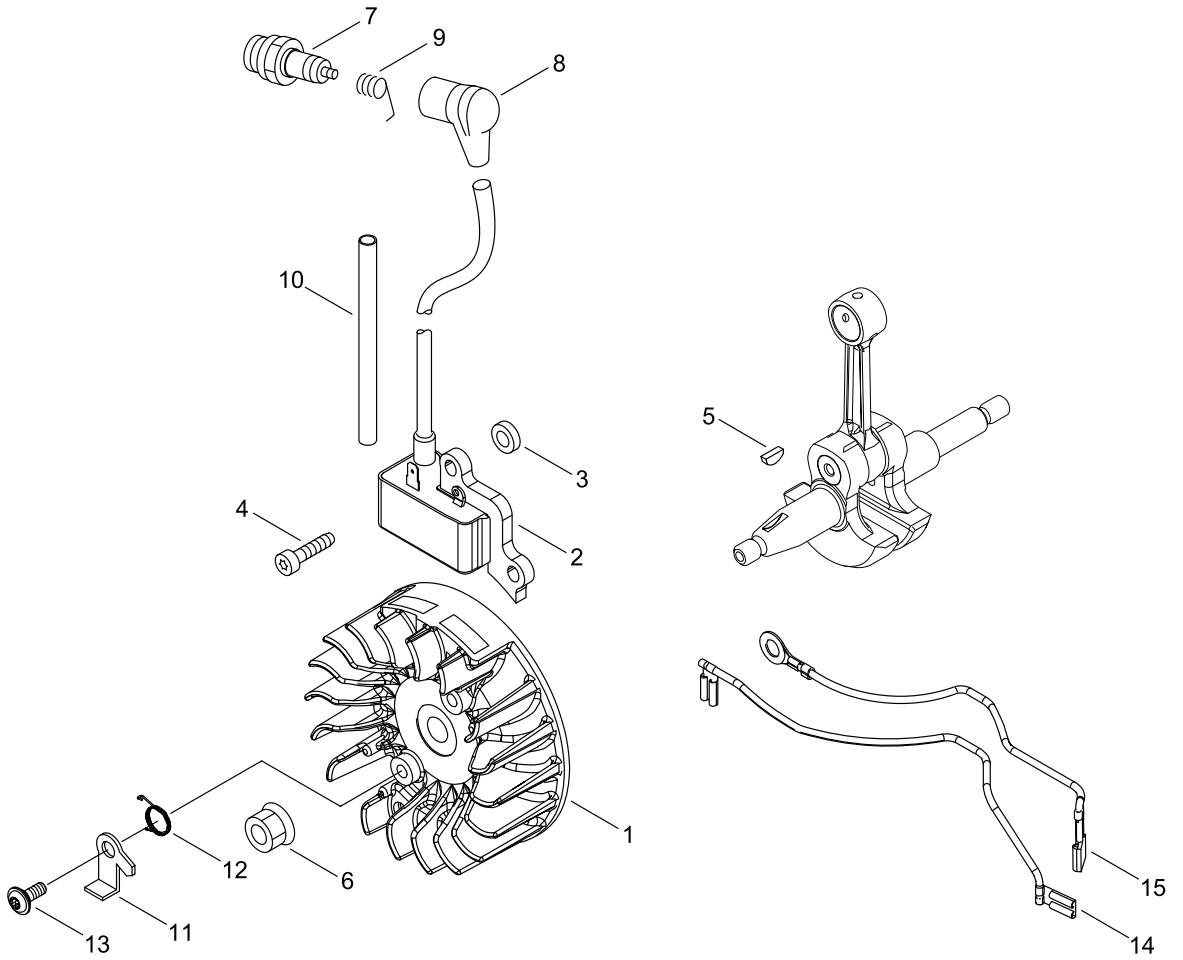
# ENGINE COVER



## ENGINE COVER

Key No.	LV (+)	Part No	Description	Qty	Standard
1		P100-004660	COVER ENGINE ASY	1	
2	+	A161-000370	DUCT, AIR	1	
3	+	V225-000370	BOLT,STUD 8	2	M8
4	+	436114-13930	VALVE, CHECK	1	
5	+	V203-002380	BOLT,5	1	STOPPER BOLT
6		V805-000270	BOLT, TORX 5	4	TB-5*40 12.9
7		V420-001790	CUSHION	2	
8		C304-000330	SPIKED	1	
9		C310-000150	CATCHER, CHAIN	1	
10		V805-000010	BOLT, TORX 5	3	TT-5*20 DG 10.9
11		A160-003380	COVER,CYLINDER	1	LABEL
12	+	A160-003440	COVER,CYLINDER	1	
13	+	X562-000870	LABEL,SHINDAIWA	1	
14		V805-000010	BOLT, TORX 5	3	TT-5*20 DG 10.9
15		P100-004610	CAP,OIL ASY	1	
16	+	A365-000050	CONNECTOR,CAP	1	
17	+	900720-20029	O-RING 29	1	P-29
18		X510-001050	LABEL,SWITCH	1	

# MAGNETO

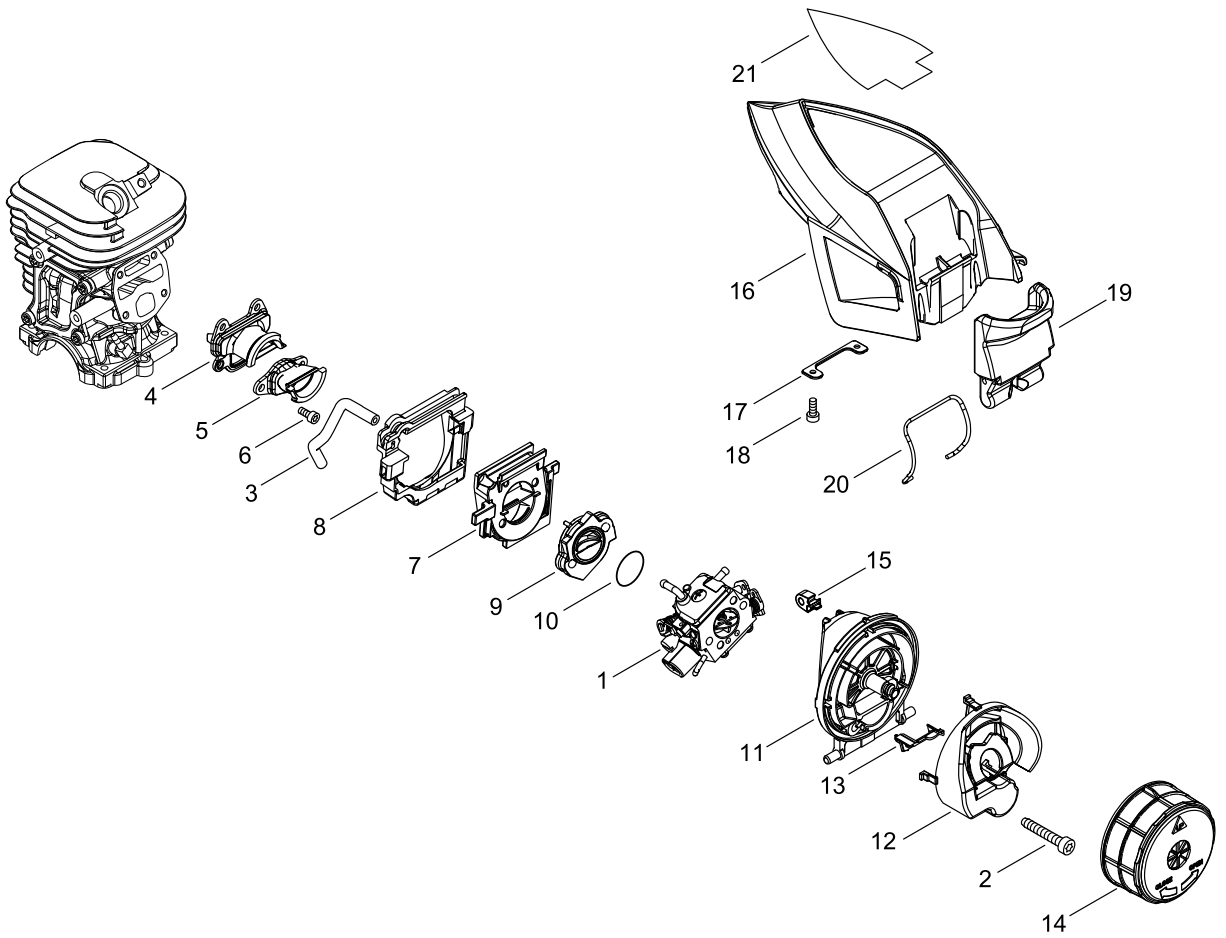


## MAGNETO

Key No.	LV (+)	Part No	Description	Qty	Standard
1		A409-001330	ROTOR, MAGNETO	1	ID#*****
2		A411-001740	COIL, IGNITION	1	ID#*****
3		150117-16430	SPACER	2	
4		V805-000210	BOLT, TORX 5	2	TB-5*20 12.9
5		100142-12330	KEY, WOODRUFF	1	
6		900515-00008	NUT, FLANGE	1	8
7		A425-000000	SPARKPLUG	1	BPMR8Y
8		A427-000190	CAP,SPARK PLUG	1	
9		A426-000010	TERMINAL,SPARKPLUG	1	
10		V475-009180	TUBE	1	SSG-1 6*7.2*100
11		A514-000050	PAWL	2	
12		177234-35430	SPRING, RETURN	2	
13		V203-002250	BOLT,5	2	
14		V485-002960	LEAD	1	L155
15		V485-002970	LEAD	1	L153



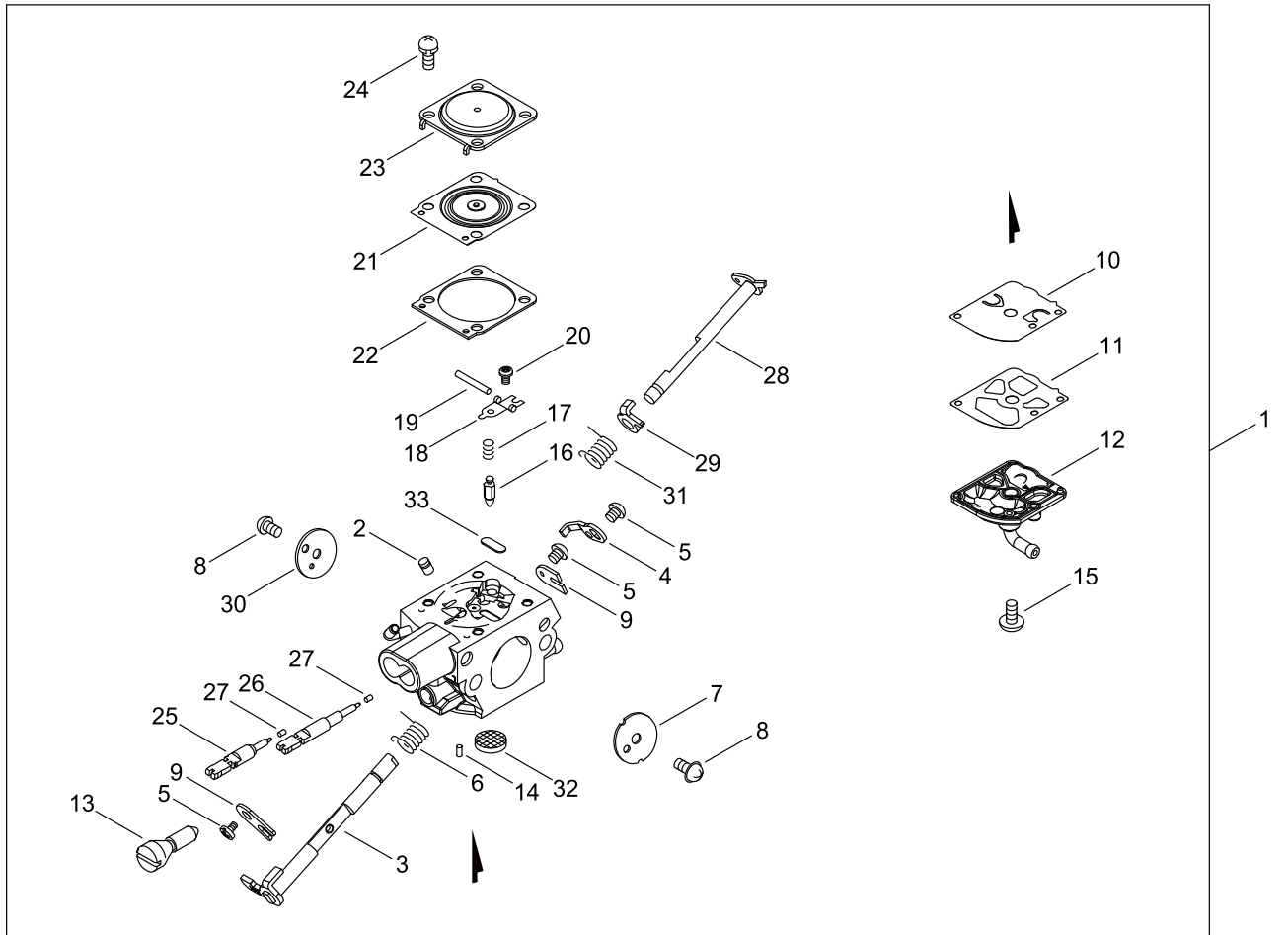
# AIR CLEANER, CARBURETOR



## AIR CLEANER, CARBURETOR

Key No.	LV (+)	Part No	Description	Qty	Standard
1		A021-004810	CARBURETOR, DIAPHRAGM	1	
2		V805-000040	BOLT, TORX 5	2	TT-5*55 DG 10.9
3		V471-000761	PIPE	1	3*6*90
4		A202-000310	BELLOWS, INTAKE	1	AIR SIDE
5		A202-000320	BELLOWS, INTAKE	1	MIX SIDE
6		V804-000050	BOLT, TORX 4	4	TB-4*12 10.9
7		A200-001150	INSULATOR, INTAKE	1	CYLINDER SIDE
8		V420-005250	CUSHION	1	FOR IN-INSULATOR
9		A200-001160	INSULATOR, INTAKE	1	CARB SIDE
10		900724-00022	O-RING S-22	1	S-22
11		A225-000730	CASE,CLEANER	1	
12		A161-000350	DUCT, AIR	1	BIG
13		A161-000360	DUCT, AIR	1	SMALL
14		A226-002150	ELEMENT, AIR FILTER	1	
15		V420-005260	CUSHION	1	FOR CLEANERCASE
16		A232-001950	LID,CLEANER	1	
17		V453-000260	SPRING,FLAT	1	T1.5 1/2H
18		V804-000000	BOLT, TORX 4	2	TT-4*12 DG 10.9
19		A235-000440	KNOB,CLEANER LID	1	
20		V582-000280	RING,SNAP	1	O.D. 2
21		X503-014650	LABEL,MODEL	1	451S

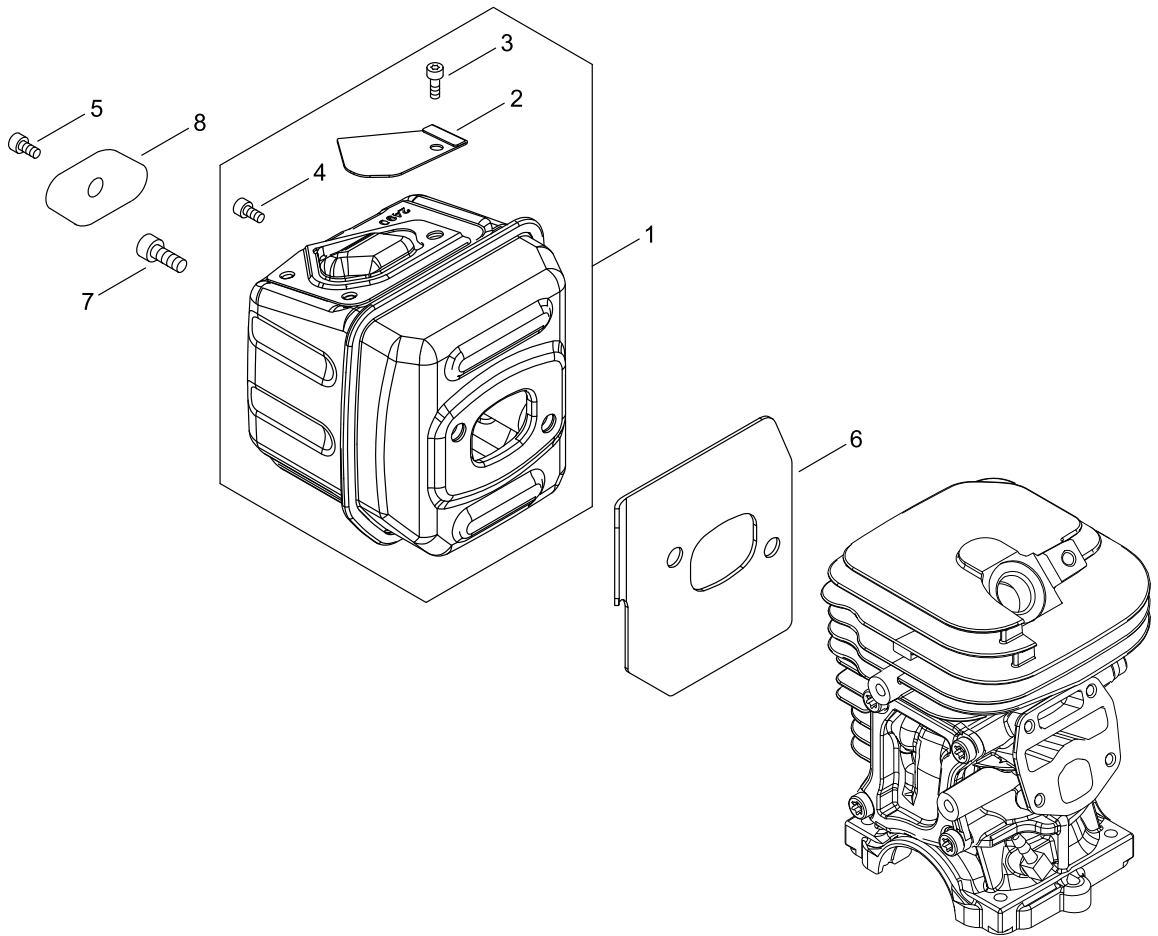
# CARBURETOR



## CARBURETOR

Key No.	LV (+)	Part No	Description	Qty	Standard
1		A021-004810	CARBURETOR, DIAPHRAGM	1	
2	+	P005-004060	NOZZLE, CHECK VALVE	1	
3	+	P005-004070	SHAFT ASY, THROTTLE	1	
4	+	P005-004080	LEVER, THROTTLE	1	
5	+	125348-13930	SCREW	3	
6	+	P005-004090	SPRING, RETURN	1	
7	+	P005-004100	VALVE, THROTTLE	1	
8	+	125314-51230	SCREW	2	3*4.5
9	+	P005-003820	RETAINER, SHAFT	2	
10	+	P005-001110	DIAPHRAGM, PUMP	1	
11	+	125325-08360	GASKET, PUMP	1	
12	+	P005-004110	COVER, PUMP	1	
13	+	P005-004120	SCREW, THROTTLEADJUST	1	
14	+	125378-13930	PIECE, FRICTION	1	
15	+	125310-13930	SCREW	1	
16	+	P005-004030	VALVE, INLET NEEDLE	1	
17	+	125322-13930	SPRING, COIL	1	
18	+	125323-08260	ARM, VALVE	1	
19	+	125338-13930	PIN, METERING ARM	1	
20	+	P005-004130	SCREW	1	
21	+	P005-003190	DIAPHRAGM ,METERING	1	
22	+	P005-003200	GASKET, METERING	1	
23	+	P005-003210	COVER, METERING	1	
24	+	P005-003840	SCREW	4	
25	+	P005-004160	SCREW, MAIN MIXTURE	1	
26	+	P005-004170	SCREW, IDLE MIXTURE	1	
27	+	125363-12820	RETAINER	2	
28	+	P005-004180	SHAFT, CHOKE ASY	1	
29	+	P005-004190	LEVER, CHOKE	1	
30	+	P005-004200	VALVE, CHOKE	1	
31	+	P005-004210	SPRING, RETURN	1	
32	+	P005-000860	SCREEN, FUEL INLET	1	
33	+	P005-000410	PLUG, WELCH	1	

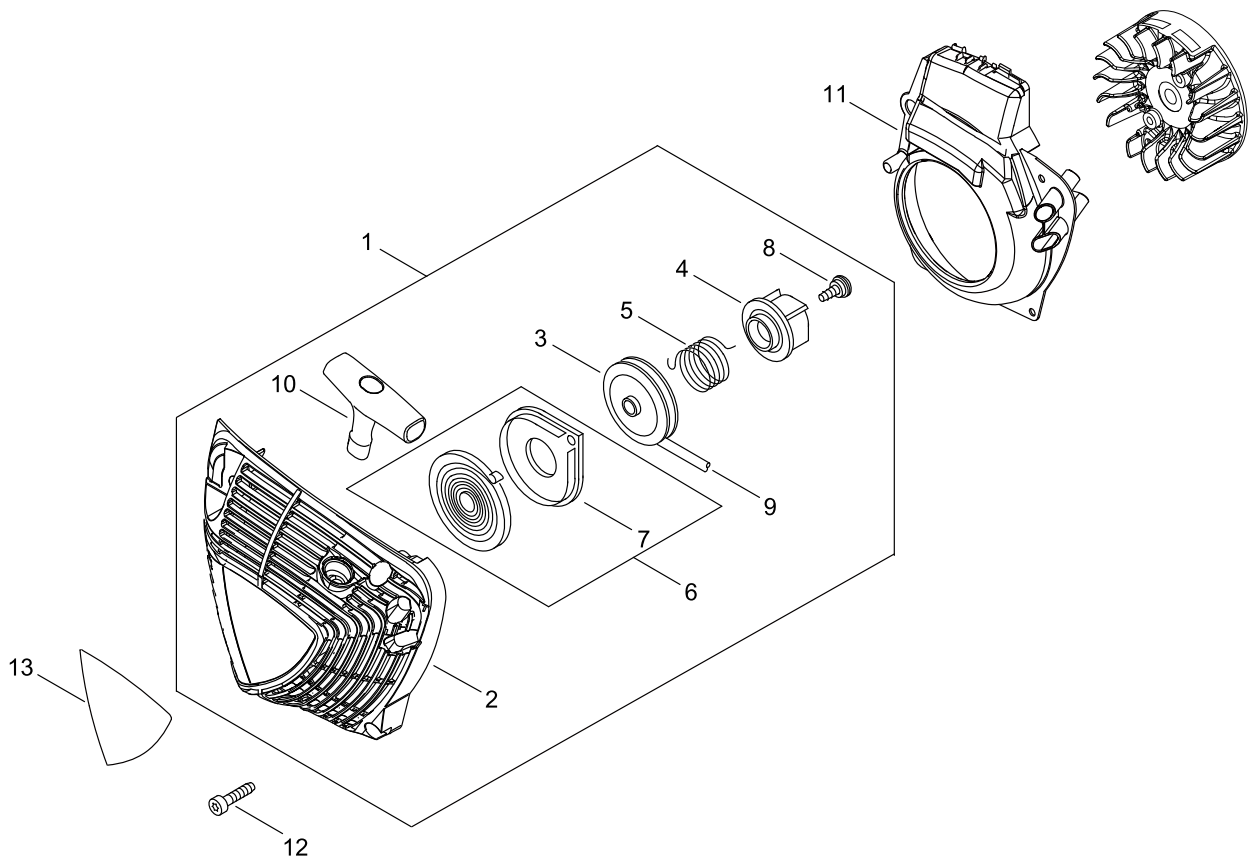
# MUFFLER



## MUFFLER

Key No.	LV (+)	Part No	Description	Qty	Standard
1		P100-004620	MUFFLER ASY	1	
2	+	A310-000500	SCREEN, ARRESTOR	1	
3	+	V804-000030	BOLT, TORX 4	1	TB-4*8 10.9
4	+	V804-000030	BOLT, TORX 4	1	TB-4*8 10.9
5		V804-000030	BOLT, TORX 4	1	TB-4*8 10.9
6		V104-002340	GASKET,EXHAUST	1	T:1.0
7		V805-000250	BOLT, TORX 5	2	TB-5*16 12.9
8		145711-60631	STAY, MUFFLER	1	

# RECOIL STARTER

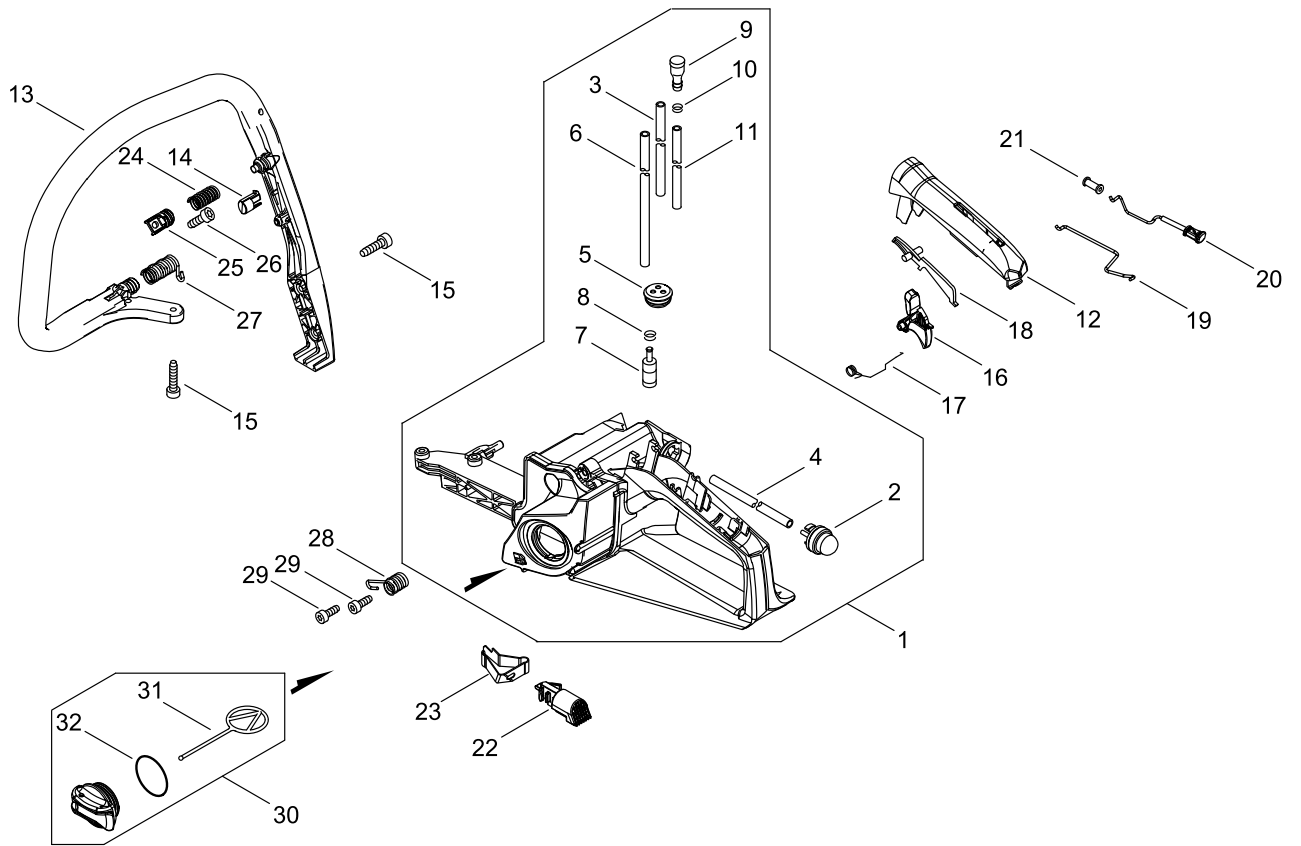


## RECOIL STARTER

Key No.	LV (+)	Part No	Description	Qty	Standard
1		A051-003300	STARTER,RECOIL ASY	1	SI
2	+	P022-050400	STARTER CASE	1	
3	+	P022-050410	DRUM, STARTER	1	
4	+	P022-050430	PLATE, CAM	1	
5	+	P022-050420	SPRING,DAMPER	1	
6	+	P022-001330	SPRING KIT, REWIND	1	
7	++	P022-033280	SPRING CASE	1	
8	+	177236-61830	SCREW	1	
9	+	P022-050440	ROPE, STARTER	1	
10	+	P022-050450	GRIP, STARTER	1	
11		A172-003290	COVER,FAN	1	
12		V805-000010	BOLT, TORX 5	3	TT-5*20 DG 10.9
13		X503-014640	LABEL,MODEL	1	451S



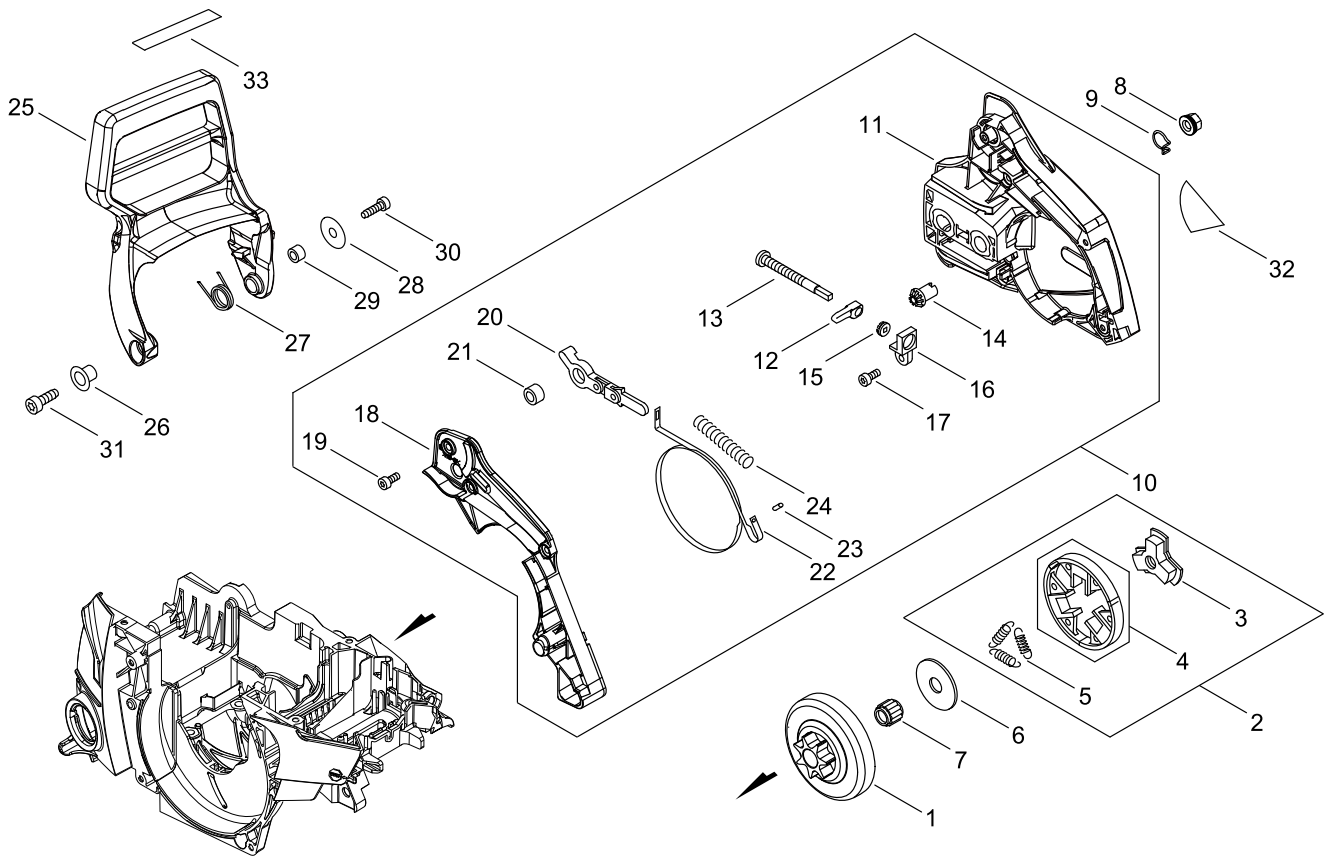
# HANDLE



## HANDLE

Key No.	LV (+)	Part No	Description	Qty	Standard
1		P100-004674	REAR HANDLE ASY	1	
2	+	123181-39130	PUMP, PRIMER	1	
3	+	V471-001291	PIPE	1	2.4*5*75
4	+	V471-005211	PIPE	1	2.4*5*165
5	+	132115-55931	GROMMET, FUEL	1	3 Φ5
6	+	V471-005181	PIPE	1	3*5*300
7	+	A369-000420	STRAINER, FUEL	1	ES-16499
8	+	V490-001240	CLIP	1	
9	+	131300-56431	VENT ASSEMBLY, FUEL	1	
10	+	V490-001230	CLIP	1	
11	+	V471-005191	PIPE	1	3*6*49
12		C411-000230	LID,HANDLE	1	
13		C400-001630	HANDLE, FRONT	1	GAI
14		V420-005270	CUSHION	1	FOR FRONT HANDLE
15		V805-000010	BOLT, TORX 5	4	TT-5*20 DG 10.9
16		C450-001041	CONTROL, THROTTLE	1	
17		V452-000260	SPRING,TORSION	1	
18		C460-000030	LOCKOUT,THROTTLE	1	
19		C454-000570	ROD, THROTTLE	1	
20		A241-000370	KNOB, CHOKE	1	
21		178810-14535	GROMMET	1	
22		A444-000120	KNOB, SWITCH	1	
23		V486-000540	TERMINAL,LEAD	1	
24		V450-002200	SPRING,COMPRESSION	1	CENTER
25		V456-000240	HOLDER,SPRING	1	
26		V805-000140	BOLT, TORX 5	1	TB-5*12 10.9
27		V450-002180	SPRING,COMPRESSION	1	FRONT
28		V450-002190	SPRING,COMPRESSION	1	REAR TYPE2-A
29		V805-000240	BOLT, TORX 5	2	TT-5*12 DG 10.9
30		P100-004680	CAP,FUEL ASY	1	
31	+	A365-000050	CONNECTOR,CAP	1	
32	+	900720-20029	O-RING 29	1	P-29

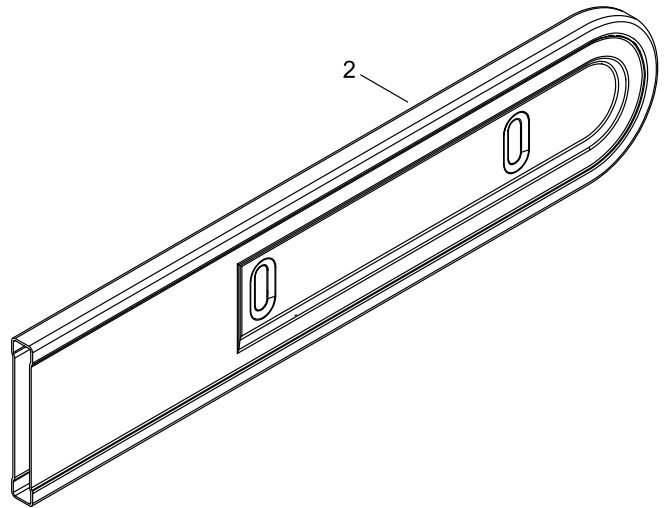
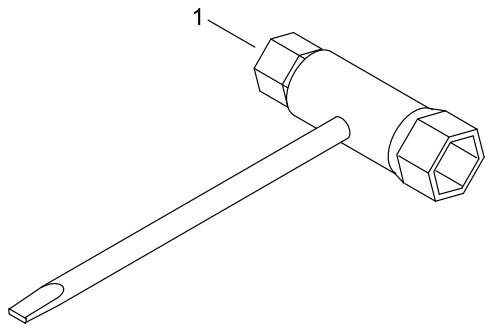
# CHAIN BRAKE



## CHAIN BRAKE

Key No.	LV (+)	Part No	Description	Qty	Standard
1		A556-000481	DRUM, CLUTCH	1	
2		A056-000840	CLUTCH ASY	1	
3	+	A552-000470	HUB, CLUTCH	1	
4	+	P021-007051	CLUTCH SHOE SET	1	
5	+	V451-000500	SPRING,TENSION	3	
6		175019-39430	PLATE, CLUTCH	1	
7		V555-000170	BEARING,NEEDLE 10	1	8E- KV10*13*12.8
8		V265-000550	NUT,8	2	
9		C649-000420	HOOK	2	
10		P100-004692	GUARD, SPROCKET ASY	1	
11	+	C300-001161	GUARD, SPROCKET	1	
12	+	C309-000070	TENSIONER, CHAIN	1	
13	+	V203-000110	BOLT,5	1	
14	+	V651-001040	GEAR,BEVEL	1	
15	+	V651-001050	GEAR,BEVEL	1	
16	+	V355-000140	COLLAR,8	1	
17	+	V804-000010	BOLT, TORX 4	1	TT-4*16 DG 10.9
18	+	C345-000681	COVER,BRAKE	1	
19	+	V804-000010	BOLT, TORX 4	4	TT-4*16 DG 10.9
20	+	C334-000100	CONNECTOR, BRAKE	1	
21	+	433116-35430	SPACER 8	1	8*12*9
22	+	C328-000110	BAND, BRAKE	1	
23	+	900330-30120	PIN	1	3*12
24	+	V450-000070	SPRING,COMPRESSION	1	
25		C320-000530	LEVER, BRAKE	1	
26		V356-000430	COLLAR,10	1	
27		V452-001281	SPRING,TORSION	1	
28		177214-03930	WASHER	1	
29		433116-35430	SPACER 8	1	8*12*9
30		V804-000010	BOLT, TORX 4	1	TT-4*16 DG 10.9
31		V805-000010	BOLT, TORX 5	1	TT-5*20 DG 10.9
32		X562-000840	LABEL,SHINDAIWA	1	
33		X505-010150	LABEL,CAUTION	1	CE CAUTION

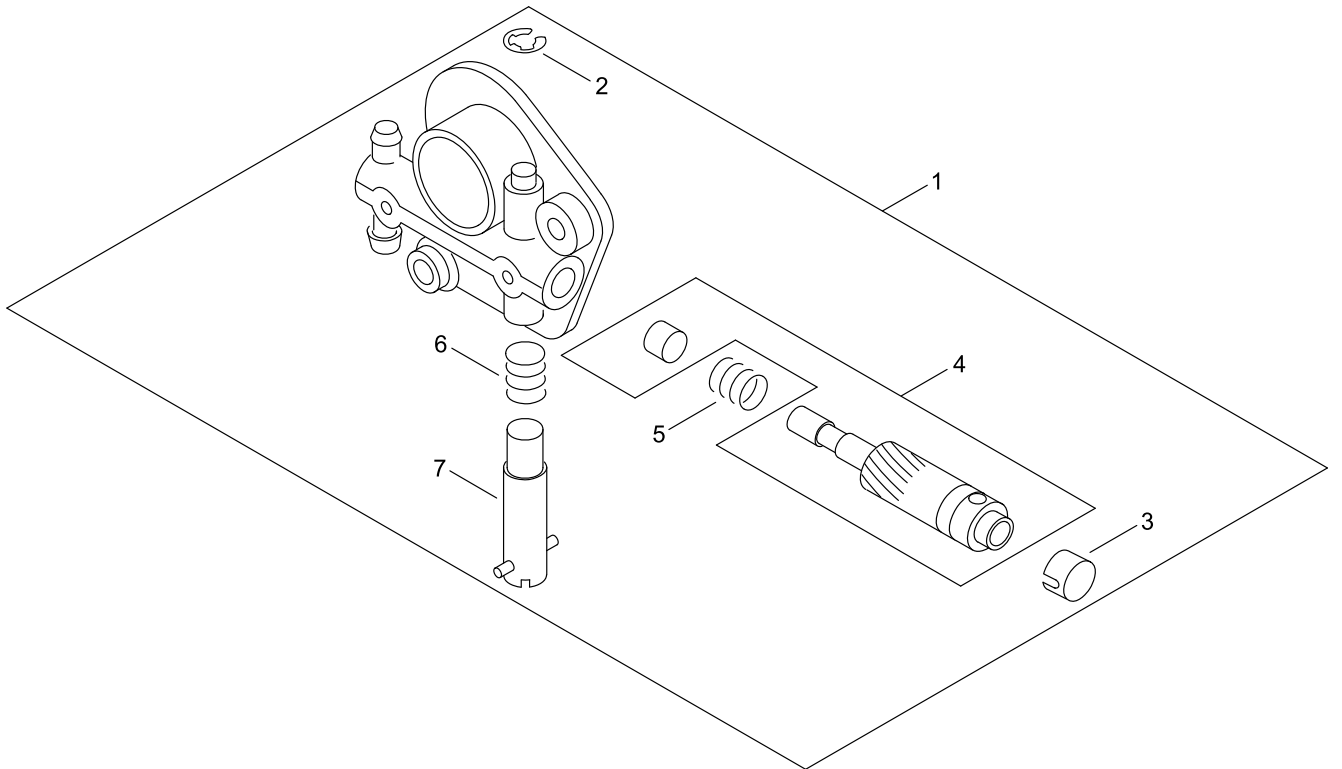
# ACCESSORIES



## ACCESSORIES

Key No.	LV (+)	Part No	Description	Qty	Standard
1		X602-000080	TOOL,WRENCH	1	13*19 L180
2		X490-000360	CHAIN COVER	1	

# OILER



## OILER

Key No.	LV (+)	Part No	Description	Qty	Standard
1		C022-000010	OILER,ASM AUTO	1	
2	+	125327-15130	CLIP	1	
3	+	P022-010640	CAP, OIL PUMP	1	
4	+	P022-010650	PLUNGER	1	
5	+	P022-010660	SPRING	1	
6	+	P022-010670	SPRING	1	
7	+	P022-010680	SCREW ASS'Y, ADJUST	1	



## GUIDE BAR, CHAIN

Pitch ピッチ	Gauge ゲージ	Length 長さ	Guide Bar ガイドバー		Saw Chain ソーチェーン		Hard Nose ハード ノーズ 	Sprocket Nose スプロケット ノーズ 
			Key No	Type 形式	Key No	Type 形式		
.325 8.26	0.058 1.47	38	A1	Y38S21-64ML- SD	A2	21BPX-64E		●
.325 8.26	0.058 1.47	45	B1	Y45S21-72ML- SD	B2	21BPX-72E		●

## GUIDE BAR, CHAIN

Key No.	LV (+)	Part No	Description	Qty	Standard
A1		X123-000630	BAR,GUIDE 35	1	Y38S21-64ML-SD
A2		431721-30231	CHAIN, SAW	1	21BPX-64E
B1		X125-000400	BAR,GUIDE 45	1	Y45S21-72ML-SD
B2		431717-30231	CHAIN, SAW	1	21BPX-72E

# NUMERICAL PARTS INDEX

Part No	Part description	Page	Part No	Part description	Page	Part No	Part description	Page
100013-39730	PIN, PISTON	2	A172-003290	COVER,FAN	14	P005-003200	GASKET, METERING	10
100014-17330	SPACER, PISTON PIN	2	A200-001150	INSULATOR, INTAKE	8	P005-003210	COVER, METERING	10
100142-12330	KEY, WOODRUFF	6	A200-001160	INSULATOR, INTAKE	8	P005-003820	RETAINER, SHAFT	10
123181-39130	PUMP, PRIMER	16	A202-000310	BELLOWS, INTAKE	8	P005-003840	SCREW	10
125310-13930	SCREW	10	A202-000320	BELLOWS, INTAKE	8	P005-004030	VALVE, INLET NEEDLE	10
125314-51230	SCREW	10	A203-000090	SEAL	2	P005-004060	NOZZLE, CHECK VALVE	10
125322-13930	SPRING, COIL	10	A225-000730	CASE,CLEANER	8	P005-004070	SHAFT ASY,THROTTLE	10
125323-08260	ARM, VALVE	10	A226-002150	ELEMENT, AIR FILTER	8	P005-004080	LEVER, THROTTLE	10
125325-08360	GASKET, PUMP	10	A232-001950	LID,CLEANER	8	P005-004090	SPRING, RETURN	10
125327-15130	CLIP	22	A235-000440	KNOB,CLEANER LID	8	P005-004100	VALVE, THROTTLE	10
125338-13930	PIN, METERING ARM	10	A241-000370	KNOB, CHOKE	16	P005-004110	COVER, PUMP	10
125348-13930	SCREW	10	A310-000500	SCREEN, ARRESTOR	12	P005-004120	SCREW, THROTTLEADJUST	10
125363-12820	RETAINER	10	A365-000050	CONNECTOR,CAP	4	P005-004130	SCREW	10
125378-13930	PIECE, FRICTION	10	A365-000050	CONNECTOR,CAP	16	P005-004160	SCREW,MAIN MIXTURE	10
131300-56431	VENT ASSEMBLY, FUEL	16	A369-000420	STRAINER, FUEL	16	P005-004170	SCREW,IDLE MIXTURE	10
132115-01462	GROMMET	2	A409-001330	ROTOR, MAGNETO	6	P005-004180	SHAFT, CHOKE ASY	10
132115-55931	GROMMET, FUEL	16	A411-001740	COIL, IGNITION	6	P005-004190	LEVER, CHOKE	10
145711-60631	STAY, MUFFLER	12	A425-000000	SPARKPLUG	6	P005-004200	VALVE, CHOKE	10
150117-16430	SPACER	6	A426-000010	TERMINAL,SPARKPLUG	6	P005-004210	SPRING, RETURN	10
175019-39430	PLATE, CLUTCH	18	A427-000190	CAP,SPARK PLUG	6	P021-007051	CLUTCH SHOE SET	18
177214-03930	WASHER	18	A444-000120	KNOB, SWITCH	16	P022-001330	SPRING KIT, REWIND	14
177234-35430	SPRING, RETURN	6	A514-000050	PAWL	6	P022-010640	CAP, OIL PUMP	22
177236-61830	SCREW	14	A552-000470	HUB, CLUTCH	18	P022-010650	PLUNGER	22
178810-14535	GROMMET	16	A556-000481	DRUM, CLUTCH	18	P022-010660	SPRING	22
431717-30231	CHAIN, SAW	24	C022-000010	OILER,ASM AUTO	2	P022-010670	SPRING	22
431721-30231	CHAIN, SAW	24	C022-000010	OILER,ASM AUTO	22	P022-010680	SCREW ASS'Y, ADJUST	22
433116-35430	SPACER 8	18	C236-000160	COVER,OILER	2	P022-033280	SPRING CASE	14
436114-13930	VALVE, CHECK	4	C300-001161	GUARD, SPROCKET	18	P022-050400	STARTER CASE	14
900330-30120	PIN	18	C304-000330	SPIKED	4	P022-050410	DRUM, STARTER	14
900515-00008	NUT, FLANGE	6	C309-000070	TENSIONER, CHAIN	18	P022-050420	SPRING,DAMPER	14
900720-20029	O-RING 29	4	C310-000150	CATCHER, CHAIN	4	P022-050430	PLATE, CAM	14
900720-20029	O-RING 29	16	C320-000530	LEVER, BRAKE	18	P022-050440	ROPE, STARTER	14
900724-00022	O-RING S-22	8	C328-000110	BAND, BRAKE	18	P022-050450	GRIP, STARTER	14
900810-36202	BEARING, BALL	2	C334-000100	CONNECTOR, BRAKE	18	P100-001900	STRAINER, OIL	2
A021-004810	CARBURETOR, DIAPHRAGM	8	C345-000681	COVER,BRAKE	18	P100-004570	CRANKCASE SET	2
A021-004810	CARBURETOR, DIAPHRAGM	10	C400-001630	HANDLE, FRONT	16	P100-004580	PISTON KIT	2
A051-003300	STARTER,RECOIL ASY	14	C411-000230	LID,HANDLE	16	P100-004590	CRANKSHAFT ASY	2
A056-000840	CLUTCH ASY	18	C450-001041	CONTROL, THROTTLE	16	P100-004610	CAP,OIL ASY	4
A101-000710	RING, PISTON	2	C454-000570	ROD, THROTTLE	16	P100-004620	MUFFLER ASY	12
A160-003380	COVER,CYLINDER	4	C460-000030	LOCKOUT,THROTTLE	16	P100-004660	COVER ENGINE ASY	4
A160-003440	COVER,CYLINDER	4	C649-000420	HOOK	18	P100-004674	REAR HANDLE ASY	16
A161-000350	DUCT, AIR	8	P005-000410	PLUG, WELCH	10	P100-004680	CAP,FUEL ASY	16
A161-000360	DUCT, AIR	8	P005-000860	SCREEN, FUEL INLET	10	P100-004692	GUARD, SPROCKET ASY	18
A161-000370	DUCT, AIR	4	P005-001110	DIAPHRAGM, PUMP	10	P200-000890	SEAL SET	2
			P005-003190	DIAPHRAGM ,METERING	10			

# NUMERICAL PARTS INDEX

Part No	Part description	Page	Part No	Part description	Page
V104-002340	GASKET,EXHAUST	12	V652-000030	GEAR,WORM	2
V187-000010	NIPPLE	2	V804-000000	BOLT, TORX 4	2
V203-000110	BOLT,5	18	V804-000000	BOLT, TORX 4	8
V203-002250	BOLT,5	6	V804-000010	BOLT, TORX 4	18
V203-002380	BOLT,5	4	V804-000030	BOLT, TORX 4	12
V225-000370	BOLT,STUD 8	4	V804-000050	BOLT, TORX 4	8
V265-000550	NUT,8	18	V805-000010	BOLT, TORX 5	4
V308-000030	WASHER,CIRCULAR 11	2	V805-000010	BOLT, TORX 5	14
V355-000140	COLLAR,8	18	V805-000010	BOLT, TORX 5	16
V356-000390	COLLAR,10	2	V805-000010	BOLT, TORX 5	18
V356-000430	COLLAR,10	18	V805-000040	BOLT, TORX 5	8
V420-001790	CUSHION	4	V805-000140	BOLT, TORX 5	2
V420-005250	CUSHION	8	V805-000140	BOLT, TORX 5	16
V420-005260	CUSHION	8	V805-000210	BOLT, TORX 5	6
V420-005270	CUSHION	16	V805-000240	BOLT, TORX 5	16
V450-000070	SPRING,COMPRESSION	18	V805-000250	BOLT, TORX 5	2
V450-002180	SPRING,COMPRESSION	16	V805-000250	BOLT, TORX 5	12
V450-002190	SPRING,COMPRESSION	16	V805-000270	BOLT, TORX 5	4
V450-002200	SPRING,COMPRESSION	16	X123-000630	BAR,GUIDE 35	24
V451-000500	SPRING,TENSION	18	X125-000400	BAR,GUIDE 45	24
V452-000260	SPRING,TORSION	16	X490-000360	CHAIN COVER	20
V452-001281	SPRING,TORSION	18	X503-014640	LABEL,MODEL	14
V453-000260	SPRING,FLAT	8	X503-014650	LABEL,MODEL	8
V456-000240	HOLDER,SPRING	16	X505-010150	LABEL,CAUTION	18
V471-000761	PIPE	8	X510-001050	LABEL,SWITCH	4
V471-001291	PIPE	16	X562-000840	LABEL,SHINDAIWA	18
V471-005181	PIPE	16	X562-000870	LABEL,SHINDAIWA	4
V471-005191	PIPE	2	X602-000080	TOOL,WRENCH	20
V471-005191	PIPE	16			
V471-005201	PIPE	2			
V471-005211	PIPE	16			
V475-009180	TUBE	6			
V485-002960	LEAD	6			
V485-002970	LEAD	6			
V486-000540	TERMINAL,LEAD	16			
V490-001230	CLIP	2			
V490-001230	CLIP	16			
V490-001240	CLIP	16			
V508-000110	SEAL,OIL 15	2			
V555-000140	BEARING,NEEDLE	2			
V555-000170	BEARING,NEEDLE 10	18			
V580-000010	RING,END	2			
V582-000280	RING,SNAP	8			
V651-001040	GEAR,BEVEL	18			
V651-001050	GEAR,BEVEL	18			