

501SX

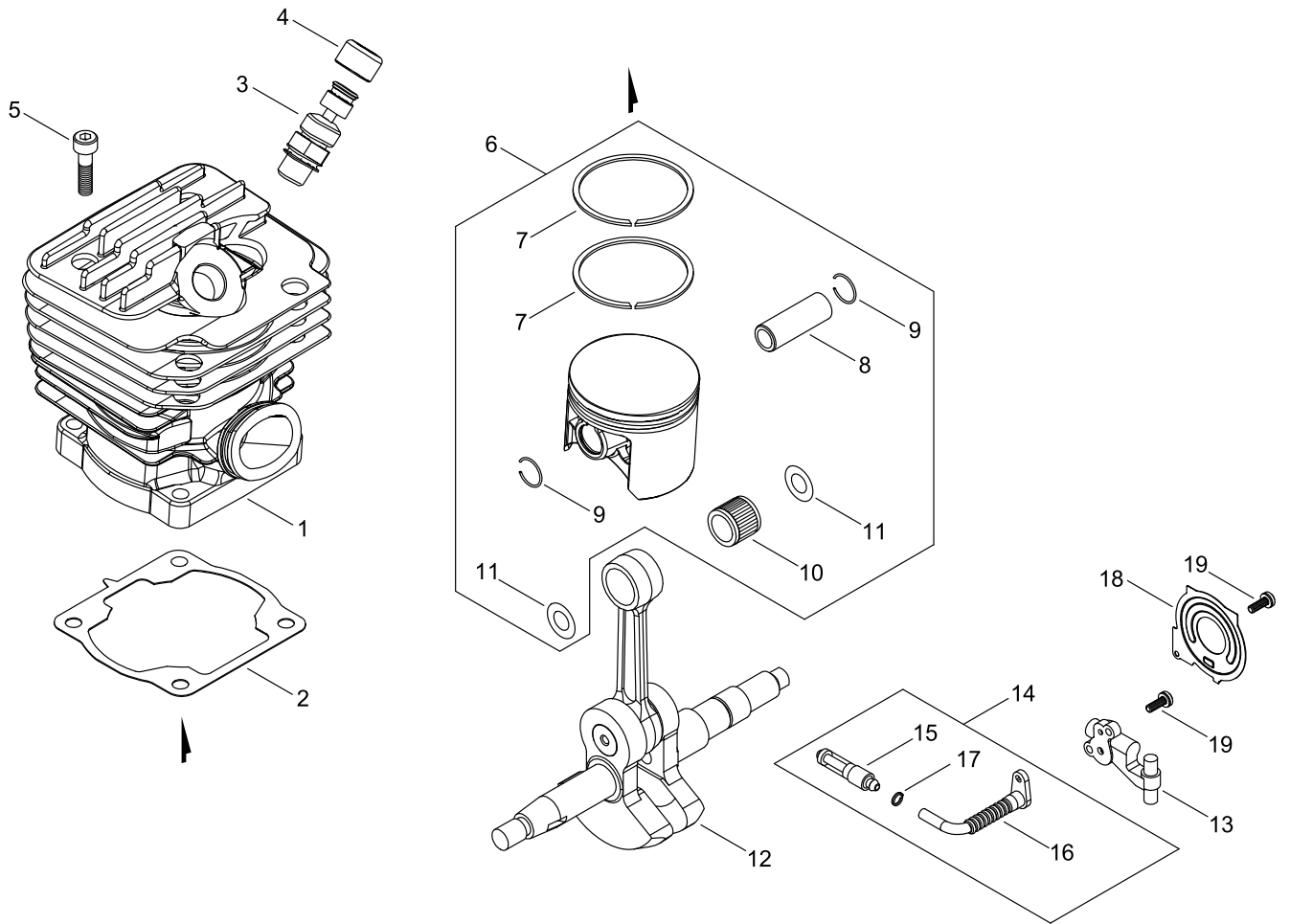
Serial number: 38000001-38999999

Last update date: 01/28/2020

TABLE OF CONTENTS

CYLINDER, PISTON, CRANKSHAFT.....	1
CRANKCASE	3
MAGNETO.....	5
AIR CLEANER, CARBURETOR.....	7
CARBURETOR.....	9
MUFFLER	11
RECOIL STARTER.....	13
HANDLE	15
CHAIN BRAKE.....	17
ACCESSORIES	21
GUIDE BAR, CHAIN.....	23

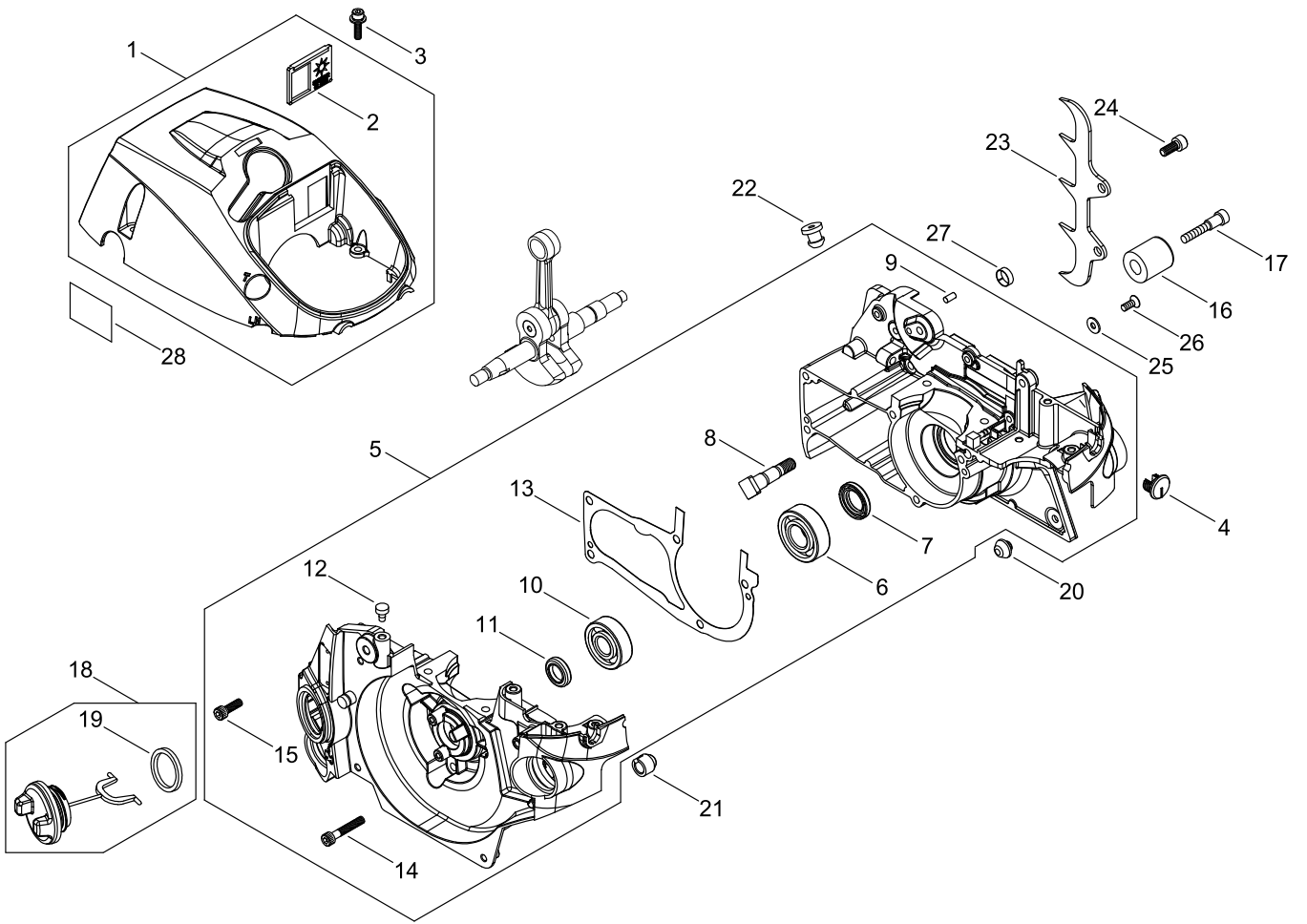
CYLINDER, PISTON, CRANKSHAFT



CYLINDER, PISTON, CRANKSHAFT

Key No.	LV (+)	Part No	Description	Qty	Standard
1		A130-002280	CYLINDER	1	
2		V100-000620	GASKET,CYL	1	
3		A014-000120	RELEASE ASY., COMP.	1	
4		V141-000090	GROMMET,PLUG	1	
5		V203-001320	BOLT ADHESIVE	4	
6		P021-048650	PISTON KIT	1	
7	+	A101-000690	RING, PISTON	2	44*1.2*1.8
8	+	V609-000070	PIN,ENG 11	1	11*35.8 HL
9	+	V580-000030	RING,END	2	D 1.0
10	+	V556-000040	BEARING,NEEDLE 11	1	
11	+	V308-000040	WASHER,CIRCULAR 11	2	11.2*19.5*0.5
12		A011-001420	CRANKSHAFT,ASY	1	
13		C022-000121	AUTO-OILER ASSEMBLY	1	
14		C021-000050	STRAINER, OIL	1	
15	+	C209-000070	STRAINER,OIL	1	
16	+	V470-001840	PIPE	1	
17	+	V490-001230	CLIP	1	
18		C236-000060	COVER,OILER	1	
19		V202-000520	BOLT,4	3	

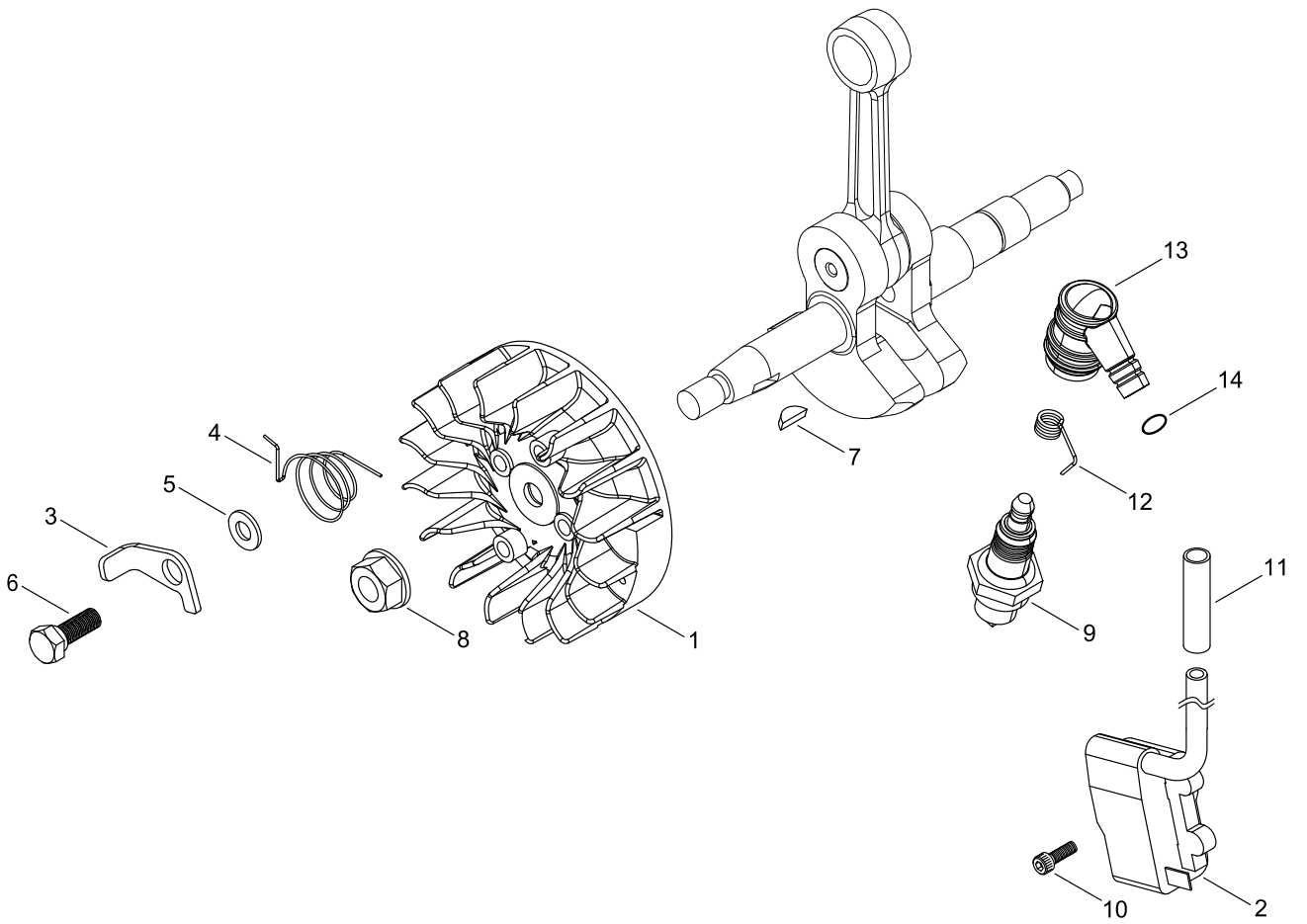
CRANKCASE



CRANKCASE

Key No.	LV (+)	Part No	Description	Qty	Standard
1		P100-000780	CYLINDER COVER ASY	1	
2	+	A219-000040	SHUTTER,AIR	1	
3		V202-000690	BOLT,4	3	M4*14
4		V141-000100	PLUG	1	
5		P100-005030	CRANKCASE SET	1	
6	+	V592-000290	BEARING, BALL	1	6202X47C3
7	+	V508-000070	OIL SEAL	1	
8	+	V225-000150	BOLT,STUD	2	
9	+	V629-000000	ROLLER	2	
10	+	V592-000330	BEARING, BALL	1	6201X3C3
11	+	V505-000070	OIL SEAL	1	
12	+	A356-000130	VALVE,CHECK	1	
13	+	V102-000221	GASKET,CRANKCASE	1	
14	+	V203-001450	BOLT	3	
15	+	V203-001540	BOLT,ADHESIVE	2	
16		C310-000110	CATCHER, CHAIN	1	
17		V203-002410	BOLT,5	1	
18		C020-000040	CAP	1	
19	+	V107-000090	GASKET	1	
20		V420-004980	CUSHION	1	
21		V420-002780	CUSHION	1	
22		V133-000040	GROMMET	1	
23		C304-000310	SPIKED	1	
24		V203-002010	BOLT,5	2	
25		900603-00004	WASHER 4	1	4.5*10*0.8
26		900212-04008	SCREW 4*8	1	+SF4*8
27		V355-000460	COLLAR,8	1	
28		890345-39231	LABEL,CAUTION	1	

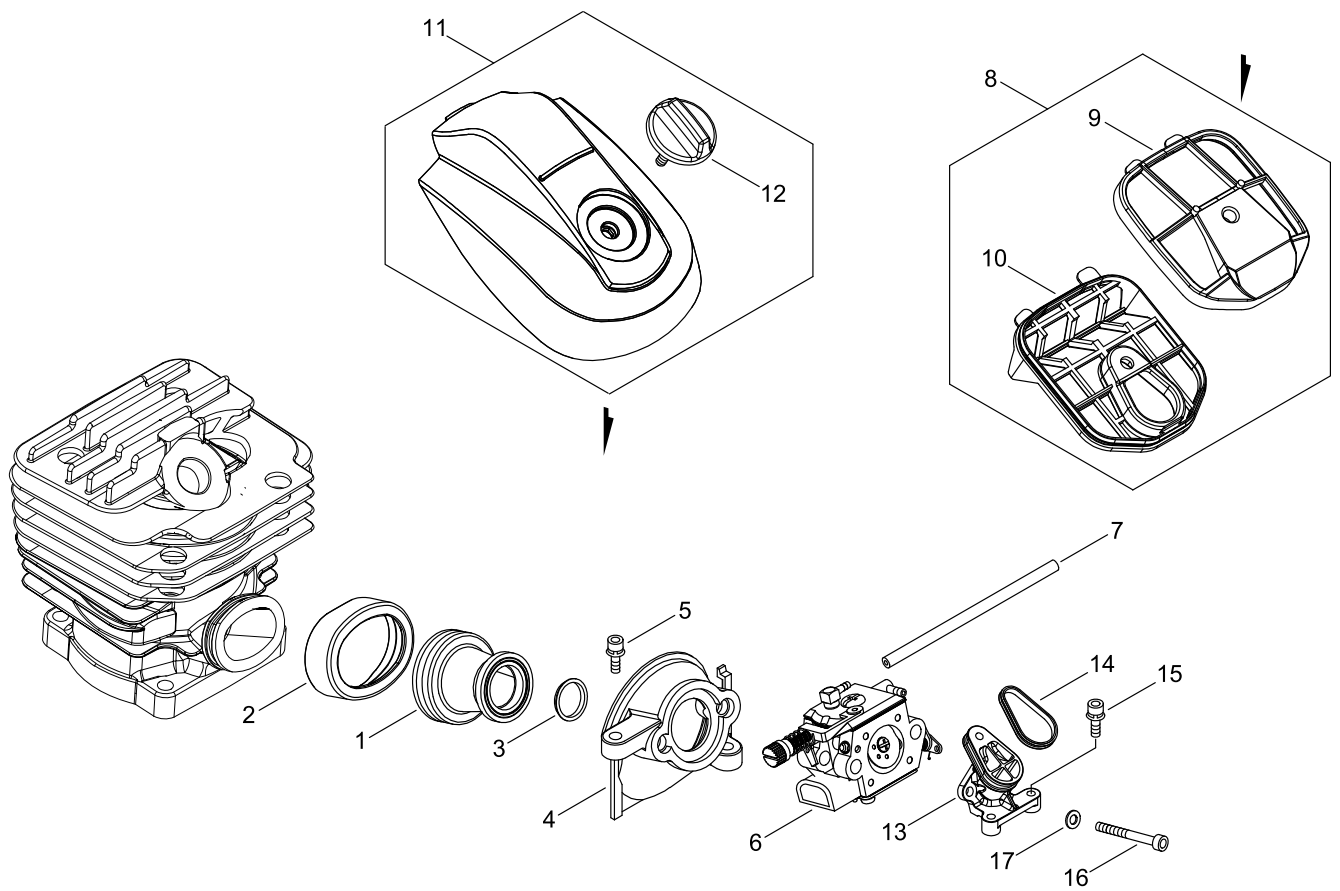
MAGNETO



MAGNETO

Key No.	LV (+)	Part No	Description	Qty	Standard
1		A409-001151	ROTOR,MAGNETO	1	
2		P021-037431	COIL, IGNITION	1	
3		A514-000220	PAWL	2	
4		V452-000870	SPRING,TORSION	2	
5		V304-000270	WASHER,CIRCULAR 6	2	
6		V204-000620	BOLT	2	
7		93115-03010	KEY, WOODRUFF	1	3*10
8		V265-000220	NUT	1	
9		A425-000000	SPARKPLUG	1	BPMP8Y
10		V202-000540	BOLT,4	2	
11		V475-005180	TUBE	1	
12		A426-000040	TERMINAL,SPARKPLUG	1	
13		A427-000160	PLUG CAP	1	
14		900720-20007	O-RING	1	P-7

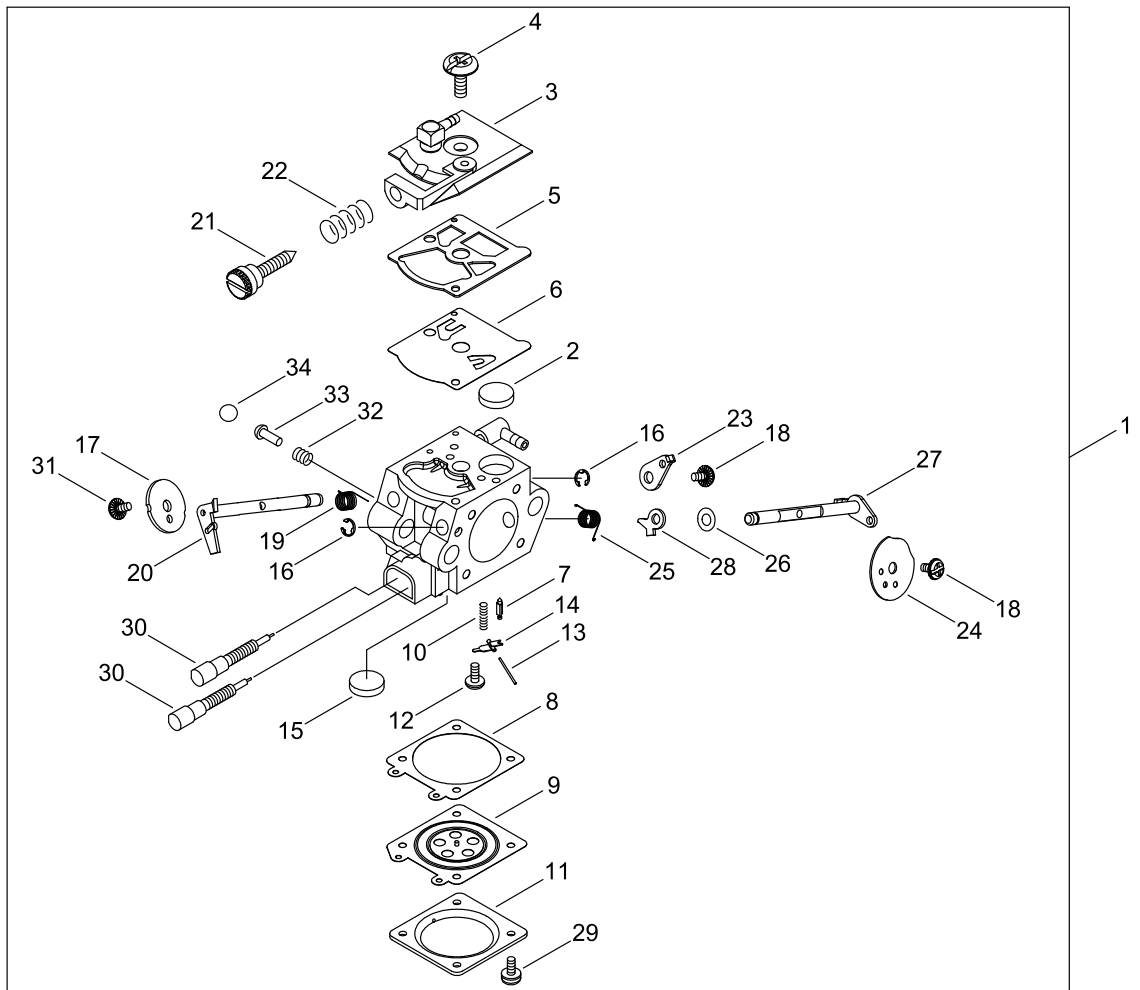
AIR CLEANER, CARBURETOR



AIR CLEANER, CARBURETOR

Key No.	LV (+)	Part No	Description	Qty	Standard
1		A202-000150	BOOT	1	
2		A206-000030	HOLDER, BELLOWS	1	
3		V359-000200	COLLAR	1	
4		A200-001050	INSULATOR,INTAKE	1	
5		V202-000200	BOLT	2	
6		A021-004410	CARBURETOR, DIAPHRAGM	1	WT-1139 D-CUT
7		V471-002800	PIPE	1	
8		A226-001580	ELEMENT,AIR FILTER	1	
9	+	A226-001590	ELEMENT,AIR FILTER	1	
10	+	A226-001600	ELEMENT,AIR FILTER	1	
11		P100-000771	CLEANER COVER ASY	1	
12	+	A235-000270	KNOB,CLEANER LID	1	
13		A204-000220	ELBOW, CARBURETOR	1	
14		V581-000280	GASKET	1	
15		V202-000200	BOLT	2	
16		91100-05048	BOLT	2	
17		900600-00005	WASHER 5	2	5

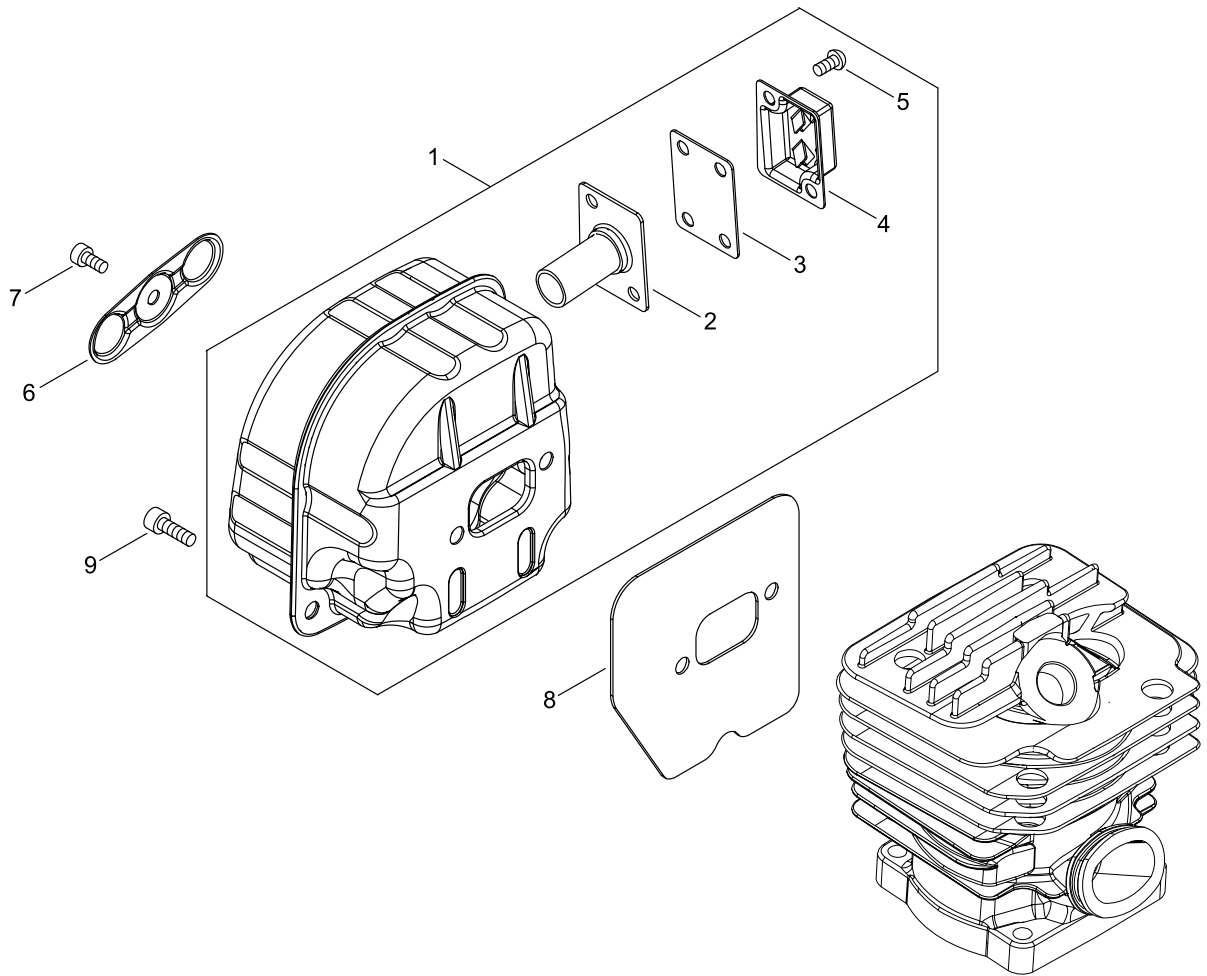
CARBURETOR



CARBURETOR

Key No.	LV (+)	Part No	Description	Qty	Standard
1		A021-004410	CARBURETOR, DIAPHRAGM	1	WT-1139 D-CUT
2	+	123126-10631	SCREEN, INLET	1	
3	+	P003-005600	PUMP COVER ASY	1	
4	+	123110-03930	SCREW, PUMP COVER	1	
5	+	123125-15030	GASKET, FUEL PUMP	1	
6	+	123112-15030	DIAPHRAGM, FUEL PUMP	1	
7	+	123137-19830	VALVE, INLET NEEDLE	1	
8	+	123140-03930	GASKET, M. DIAPHRAGM	1	
9	+	P003-001850	DIAPHRAGM, METERING	1	
10	+	123122-03660	SPRING, METER. LEVER	1	
11	+	123142-03930	COVER, M. DIAPHRAGM	1	
12	+	123139-03930	SCREW, M. LEVER PIN	1	
13	+	123138-03930	PIN, METERING LEVER	1	
14	+	123123-03930	LEVER, METERING	1	
15	+	123146-10631	PLUG, WELCH	1	
16	+	123127-15030	RING	2	
17	+	123116-10530	VALVE, THROTTLE	1	
18	+	123114-38830	SCREW	2	
19	+	123113-37530	SPRING, THROTTLE RTN	1	
20	+	P003-005620	SHAFT ASSY	1	
21	+	P003-003650	IDEL SCREW	1	
22	+	123133-04260	SPRING, IDLE ADJUST	1	
23	+	P003-003180	THROTTLE LEVER	1	
24	+	P003-005590	VALVE, CHOKE	1	
25	+	P003-002260	SPRING	1	
26	+	123149-26030	WASHER	1	
27	+	P003-003190	SHAFT	1	
28	+	P003-001510	LEVER-FAST IDLE	1	
29	+	123130-02960	SCREW	4	
30	+	P003-004460	NEEDLE	2	
31	+	P003-002380	SCREW	1	
32	+	123186-09660	SPRING, START VALVE	1	
33	+	123185-09660	PISTON ASSY	1	
34	+	123136-09660	BALL	1	

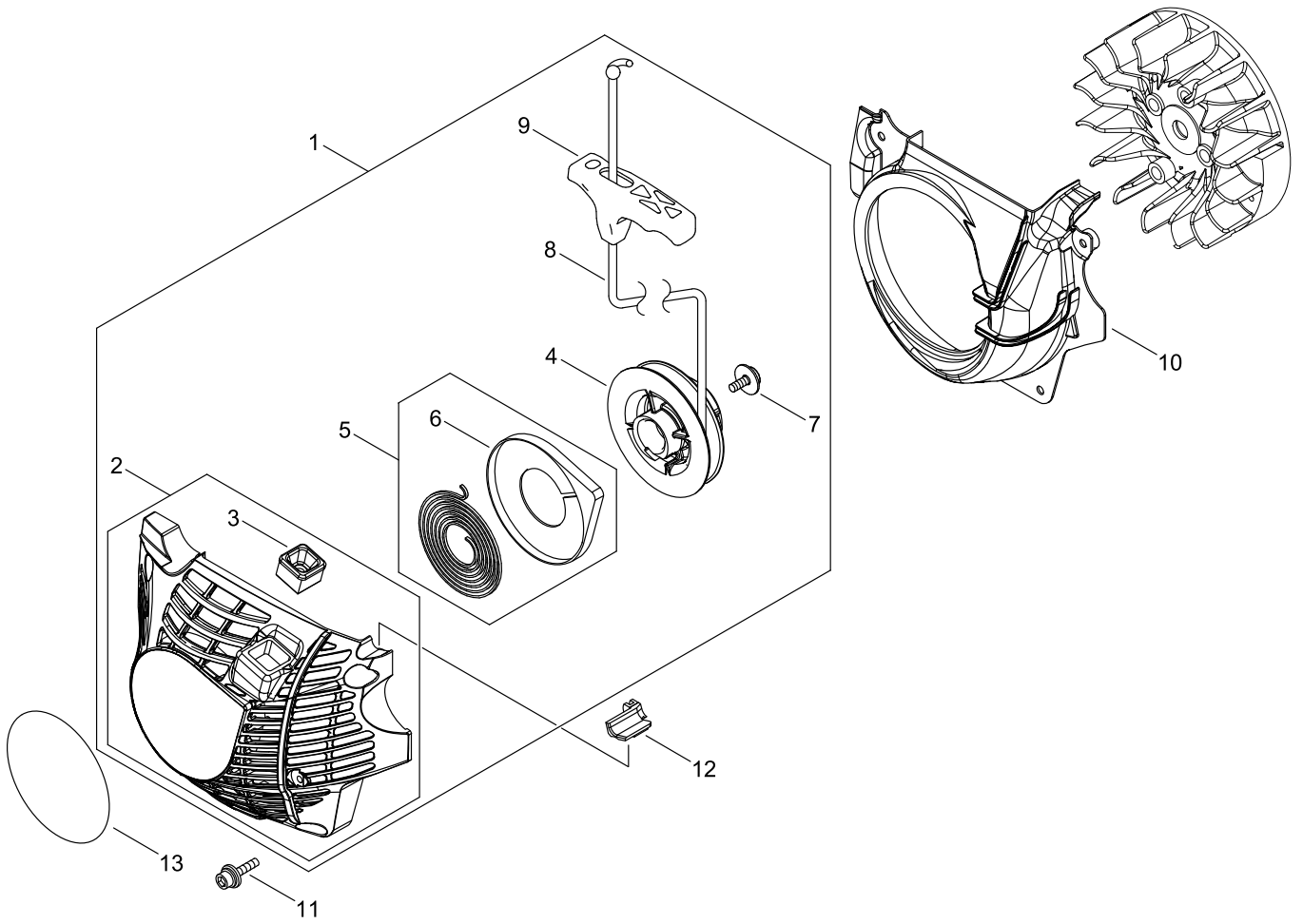
MUFFLER



MUFFLER

Key No.	LV (+)	Part No	Description	Qty	Standard
1		P021-048660	MUFFLER ASY	1	
2	+	A313-001481	GUIDE, EXHAUST	1	
3	+	A310-000450	SCREEN, ARRESTOR	1	
4	+	A313-002010	GUIDE, EXHAUST	1	ID:2220
5	+	91578-04006	SCREW	2	4*6
6		A301-000060	PLATE, MUFFLER	1	
7		900105-04006	BOLT HSH	1	4*6
8		V104-001780	GASKET,EXHAUST	1	
9		V203-002200	BOLT,5	4	M5X18

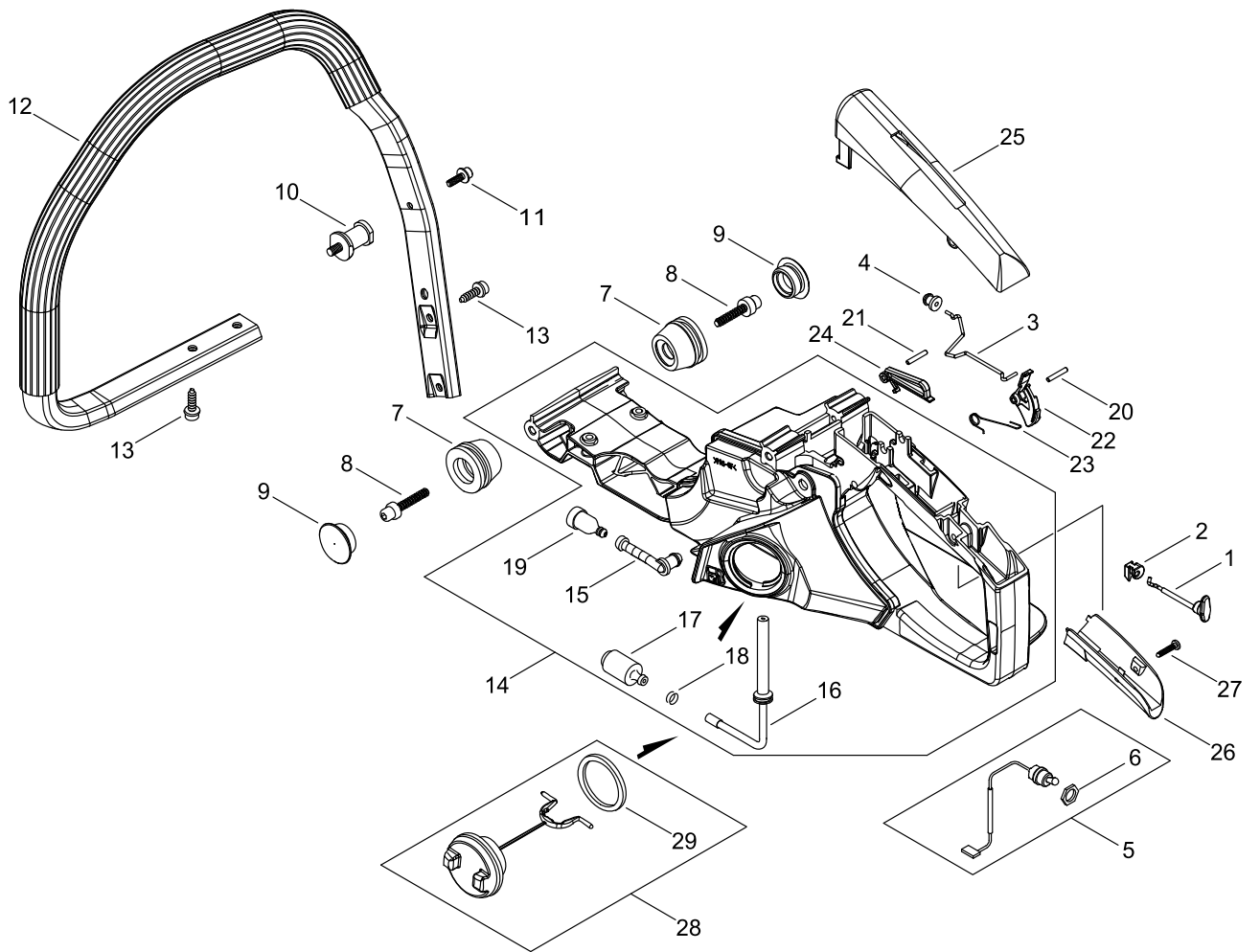
RECOIL STARTER



RECOIL STARTER

Key No.	LV (+)	Part No	Description	Qty	Standard
1		A051-002990	STARTER,RECOIL ASY	1	
2	+	P022-051040	STARTER,RECOIL	1	
3	++	A510-000130	GUIDE,ROPE	1	
4	+	P022-039780	DRUM, STARTER	1	
5	+	A504-000190	RECOIL SPRING ASSY	1	
6	++	P022-039790	SPRING CASE	1	
7	+	177236-06910	SCREW	1	
8	+	P022-023100	ROPE, STARTER	1	
9	+	P022-036780	GRIP, STARTER	1	
10		A172-001870	COVER,FAN	1	
11		V202-000200	BOLT	4	
12		V131-000190	GROMMET,NEEDLE	1	
13		X562-000060	LABEL,SHINDAIWA	1	SHINDAIWA 501SX

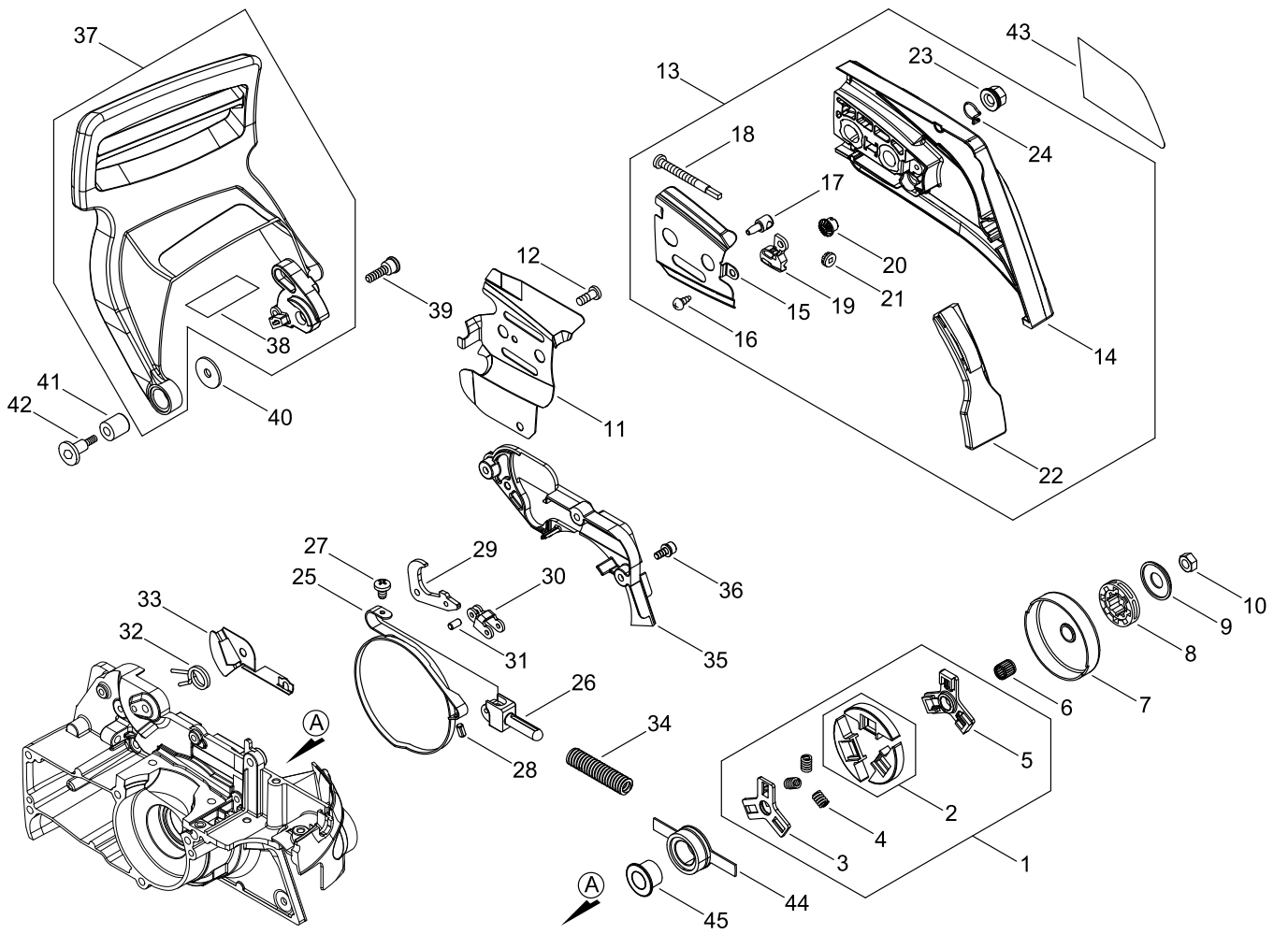
HANDLE



HANDLE

Key No.	LV (+)	Part No	Description	Qty	Standard
1		A240-000111	ROD, CHOKE	1	
2		V130-000131	GROMMET,CHOKE	1	
3		C454-000280	ROD,THROTTLE	1	
4		V133-000040	GROMMET	1	
5		P021-037400	SWITCH, ON OFF	1	
6	+	V266-000090	NUT,10	1	
7		V401-000610	CUSHION,5	4	
8		V203-001950	BOLT,5	4	
9		V421-000070	CAP,CUSHION	4	
10		V401-000330	CUSHION	1	
11		V202-000350	BOLT-SPW	1	M4-14
12		C040-000830	HANDLE, FRONT	1	
13		V203-001490	BOLT TAPPING	4	
14		P100-007240	REAR HANDLE ASY	1	
15	+	V470-001531	PIPE	1	2*5*43
16	+	V470-001520	PIPE	1	
17	+	A369-000450	STRAINER, FUEL	1	
18	+	V490-000500	CLIP	1	
19	+	131300-56431	VENT ASSEMBLY, FUEL	1	
20		93060-40250	PIN, SPRING	1	
21		93042-40220	PIN, SPRING	1	
22		C450-000642	CONTROL, THROTTLE	1	
23		V452-000850	SPRING,TORSION	1	
24		C460-000310	LOCKOUT,THROTTLE	1	
25		C411-000130	LID,HANDLE	1	
26		C403-000530	GRIP	1	
27		91449-04022	SCREW TAPPING	1	
28		A033-000380	CAP,FUEL	1	
29	+	V107-000070	GASKET	1	

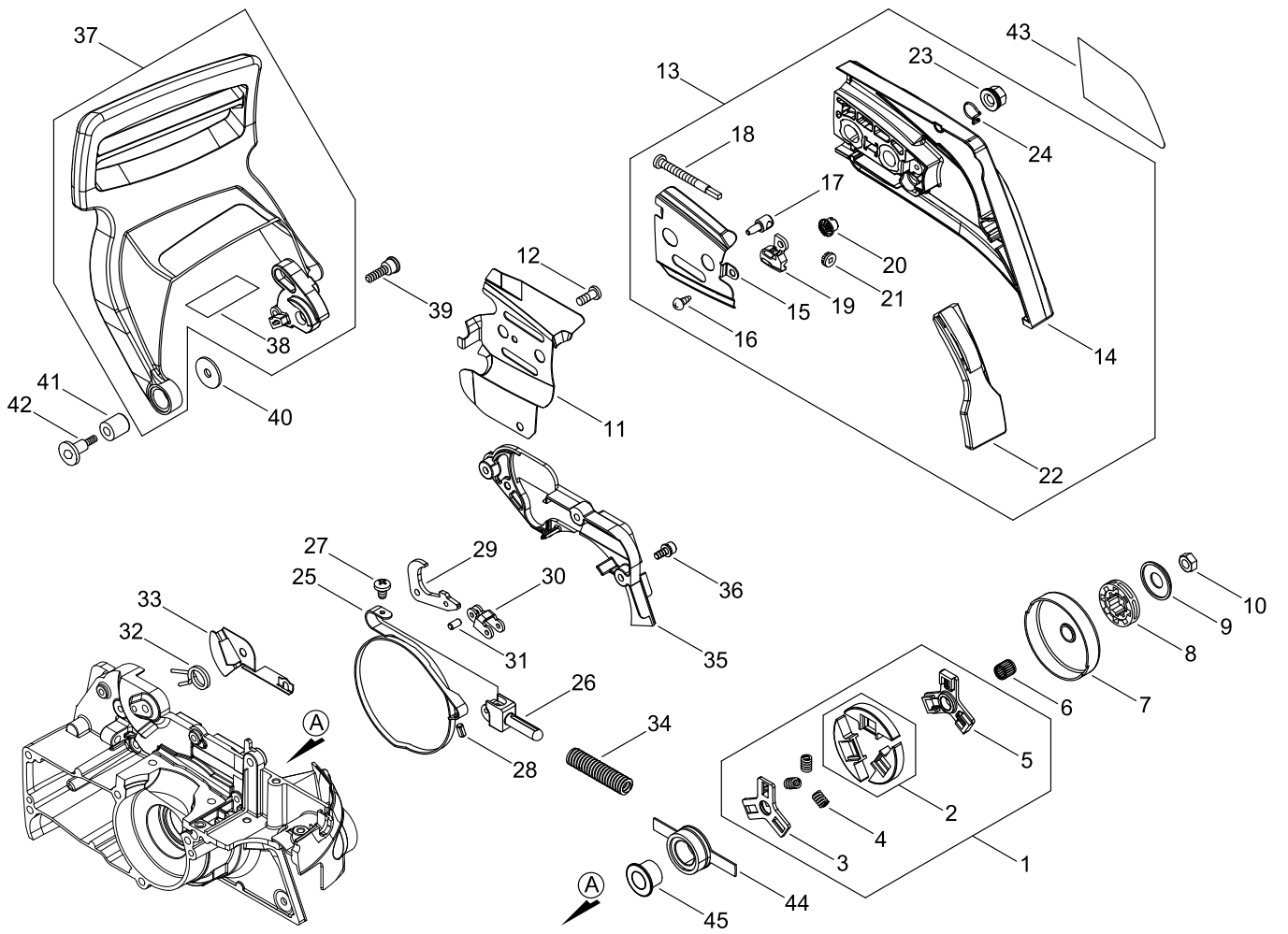
CHAIN BRAKE



CHAIN BRAKE

Key No.	LV (+)	Part No	Description	Qty	Standard
1		A056-000611	CLUTCH ASY	1	
2		P100-000270	CLUTCH SHOE SET	1	
3	+	A552-000231	HUB, CLUTCH	1	
4	+	V451-000930	SPRING	3	
5	+	A552-000241	HUB, CLUTCH	1	
6		V555-000150	BEARING,NEEDLE	1	
7		A556-001121	DRUM, CLUTCH	1	
8		175114-12530	SPROCKET, RIM .325	1	
9		V307-000451	WASHER,CIRCULAR 10	1	
10		V265-000211	NUT,8	1	
11		C305-000411	PLATE,SPROCKET GUARD	1	
12		V252-000470	SCREW,4	1	
13		P100-005720	GUARD, SPROCKET ASY	1	
14	+	C300-001060	GUARD,SPROCKET	1	
15	+	C305-000470	PLATE,SPROCKET GUARD	1	T=0.5
16	+	900253-04008	SCREW 4*8	1	4*8
17	+	C309-000190	TENSIONER, CHAIN	1	
18	+	V203-000021	BOLT,5	1	
19	+	V355-000840	COLLAR,8	1	
20	+	V651-001060	GEAR,BEVEL	1	
21	+	V651-000011	GEAR,BEVEL	1	
22	+	C302-000030	PROTECTOR	1	
23	+	V265-000550	NUT,8	2	
24	+	C649-000420	HOOK	2	
25		C328-000220	BAND,BRAKE	1	
26		C334-000180	CONNECTOR,BRAKE	1	
27		91381-04010	SCREW TAPPING	1	
28		93042-40100	PIN, SPRING	1	
29		C334-000190	CONNECTOR, BRAKE	1	
30		C334-000200	CONNECTOR,BRAKE	1	
31		900330-30120	PIN	2	3*12
32		V452-000860	SPRING,TORSION	1	
33		C347-000010	PLATE,BRAKE SEAL	1	
34		V450-001160	SPRING,COIL	1	
35		C345-000581	COVER,BRAKE	1	
36		V202-000490	BOLT	3	
37		P021-048630	BRAKE LEVER ASY	1	
38	+	V341-000000	WASHER,SQUARE	1	
39		V203-001470	BOLT,ADHESIVE	1	
40		V303-000320	WASHER,CIRCULAR 5	1	
41		J211-000430	BUSH	1	
42		V203-001410	BOLT ADHESIVE	1	
43		X562-000070	LABEL,SHINDAIWA	1	SHINDAIWA 501SX
44		V652-000150	GEAR	1	

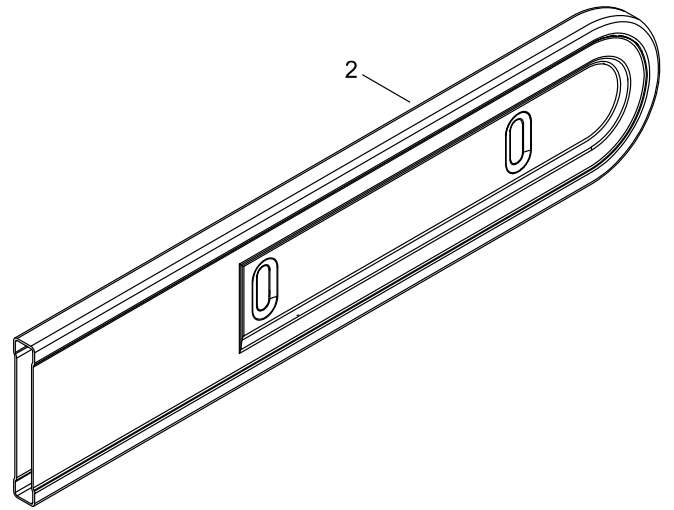
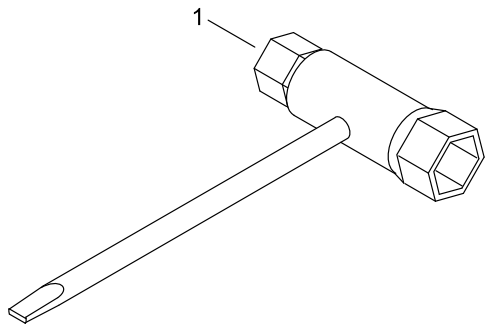
CHAIN BRAKE



CHAIN BRAKE

Key No.	LV (+)	Part No	Description	Qty	Standard
45		V357-000370	COLLAR,12	1	

ACCESSORIES



ACCESSORIES

Key No.	LV (+)	Part No	Description	Qty	Standard
1		X602-000080	TOOL,WRENCH	1	13*19 L180
2		X490-000360	CHAIN COVER	1	

GUIDE BAR, CHAIN

Pitch ピッチ (inch) (mm)	Gauge ゲージ (inch) (mm)	Length 長さ (cm)	Guide Bar ガイドバー		Saw Chain ソーチェーン		Hard Nose ハード ノーズ 	Sprocket Nose スプロケット ノーズ 
			Key №	Type 形式	Key №	Type 形式		
.325 8.26	0.058 1.47	40	A1	V40R21-68AA-SD	A2	21BPX-68E		●
.325 8.26	0.058 1.47	45	B1	V45R21-72AA-SD	B2	21BPX-72E		●

GUIDE BAR, CHAIN

Key No.	LV (+)	Part No	Description	Qty	Standard
A1		X124-000681	BAR,GUIDE 40	1	V40R21-68AA-SD
A2		431711-38331	CHAIN, SAW	1	21BPX-68E
B1		X125-000341	BAR,GUIDE 45	1	V45R21-72AA-SD
B2		431717-30231	CHAIN, SAW	1	21BPX-72E

NUMERICAL PARTS INDEX

Part No	Part description	Page	Part No	Part description	Page	Part No	Part description	Page
123110-03930	SCREW, PUMP COVER	10	A021-004410	CARBURETOR, DIAPHRAGM	8	C305-000470	PLATE, SPROCKET GUARD	18
123112-15030	DIAPHRAGM, FUEL PUMP	10	A021-004410	CARBURETOR, DIAPHRAGM	10	C309-000190	TENSIONER, CHAIN	18
123113-37530	SPRING, THROTTLE RTN	10				C310-000110	CATCHER, CHAIN	4
123114-38830	SCREW	10	A033-000380	CAP, FUEL	16	C328-000220	BAND, BRAKE	18
123116-10530	VALVE, THROTTLE	10	A051-002990	STARTER, RECOIL ASY	14	C334-000180	CONNECTOR, BRAKE	18
123122-03660	SPRING, METER. LEVER	10	A056-000611	CLUTCH ASY	18	C334-000190	CONNECTOR, BRAKE	18
123123-03930	LEVER, METERING	10	A101-000690	RING, PISTON	2	C334-000200	CONNECTOR, BRAKE	18
123125-15030	GASKET, FUEL PUMP	10	A130-002280	CYLINDER	2	C345-000581	COVER, BRAKE	18
123126-10631	SCREEN, INLET	10	A172-001870	COVER, FAN	14	C347-000010	PLATE, BRAKE SEAL	18
123127-15030	RING	10	A200-001050	INSULATOR, INTAKE	8	C403-000530	GRIP	16
123130-02960	SCREW	10	A202-000150	BOOT	8	C411-000130	LID, HANDLE	16
123133-04260	SPRING, IDLE ADJUST	10	A204-000220	ELBOW, CARBURETOR	8	C450-000642	CONTROL, THROTTLE	16
123136-09660	BALL	10	A206-000030	HOLDER, BELLOWS	8	C454-000280	ROD, THROTTLE	16
123137-19830	VALVE, INLET NEEDLE	10	A219-000040	SHUTTER, AIR	4	C460-000310	LOCKOUT, THROTTLE	16
123138-03930	PIN, METERING LEVER	10	A226-001580	ELEMENT, AIR FILTER	8	C649-000420	HOOK	18
123139-03930	SCREW, M. LEVER PIN	10	A226-001590	ELEMENT, AIR FILTER	8	J211-000430	BUSH	18
123140-03930	GASKET, M. DIAPHRAGM	10	A226-001600	ELEMENT, AIR FILTER	8	P003-001510	LEVER-FAST IDLE	10
123142-03930	COVER, M. DIAPHRAGM	10	A235-000270	KNOB, CLEANER LID	8	P003-001850	DIAPHRAGM, METERING	10
123146-10631	PLUG, WELCH	10	A240-000111	ROD, CHOKE	16	P003-002260	SPRING	10
123149-26030	WASHER	10	A301-000060	PLATE, MUFFLER	12	P003-002380	SCREW	10
123185-09660	PISTON ASSY	10	A310-000450	SCREEN, ARRESTOR	12	P003-003180	THROTTLE LEVER	10
123186-09660	SPRING, START VALVE	10	A313-001481	GUIDE, EXHAUST	12	P003-003190	SHAFT	10
131300-56431	VENT ASSEMBLY, FUEL	16	A313-002010	GUIDE, EXHAUST	12	P003-003650	IDEL SCREW	10
175114-12530	SPROCKET, RIM .325	18	A356-000130	VALVE, CHECK	4	P003-004460	NEEDLE	10
177236-06910	SCREW	14	A369-000450	STRAINER, FUEL	16	P003-005590	VALVE, CHOKE	10
431711-38331	CHAIN, SAW	24	A409-001151	ROTOR, MAGNETO	6	P003-005600	PUMP COVER ASY	10
431717-30231	CHAIN, SAW	24	A425-000000	SPARKPLUG	6	P003-005620	SHAFT ASSY	10
890345-39231	LABEL, CAUTION	4	A426-000040	TERMINAL, SPARKPLUG	6	P021-037400	SWITCH, ON OFF	16
900105-04006	BOLT HSH	12	A427-000160	PLUG CAP	6	P021-037431	COIL, IGNITION	6
900212-04008	SCREW 4*8	4	A504-000190	RECOIL SPRING ASSY	14	P021-048630	BRAKE LEVER ASY	18
900253-04008	SCREW 4*8	18	A510-000130	GUIDE, ROPE	14	P021-048650	PISTON KIT	2
900330-30120	PIN	18	A514-000220	PAWL	6	P021-048660	MUFFLER ASY	12
900600-00005	WASHER 5	8	A552-000231	HUB, CLUTCH	18	P022-023100	ROPE, STARTER	14
900603-00004	WASHER 4	4	A552-000241	HUB, CLUTCH	18	P022-036780	GRIP, STARTER	14
900720-20007	O-RING	6	A556-001121	DRUM, CLUTCH	18	P022-039780	DRUM, STARTER	14
91100-05048	BOLT	8	C020-000040	CAP	4	P022-039790	SPRING CASE	14
91381-04010	SCREW TAPPING	18	C021-000050	STRAINER, OIL	2	P022-051040	STARTER, RECOIL	14
91449-04022	SCREW TAPPING	16	C022-000121	AUTO-OILER ASSEMBLY	2	P100-000270	CLUTCH SHOE SET	18
91578-04006	SCREW	12	C040-000830	HANDLE, FRONT	16	P100-000771	CLEANER COVER ASY	8
93042-40100	PIN, SPRING	18	C209-000070	STRAINER, OIL	2	P100-000780	CYLINDER COVER ASY	4
93042-40220	PIN, SPRING	16	C236-000060	COVER, OILER	2	P100-005030	CRANKCASE SET	4
93060-40250	PIN, SPRING	16	C300-001060	GUARD, SPROCKET	18	P100-005720	GUARD, SPROCKET ASY	18
93115-03010	KEY, WOODRUFF	6	C302-000030	PROTECTOR	18	P100-007240	REAR HANDLE ASY	16
A011-001420	CRANKSHAFT, ASY	2	C304-000310	SPIKED	4	V100-000620	GASKET, CYL	2
A014-000120	RELEASE ASY., COMP.	2	C305-000411	PLATE, SPROCKET GUARD	18			

NUMERICAL PARTS INDEX

Part No	Part description	Page	Part No	Part description	Page
V102-000221	GASKET,CRANKCASE	4	V401-000610	CUSHION,5	16
V104-001780	GASKET,EXHAUST	12	V420-002780	CUSHION	4
V107-000070	GASKET	16	V420-004980	CUSHION	4
V107-000090	GASKET	4	V421-000070	CAP,CUSHION	16
V130-000131	GROMMET,CHOKE	16	V450-001160	SPRING,COIL	18
V131-000190	GROMMET,NEEDLE	14	V451-000930	SPRING	18
V133-000040	GROMMET	4	V452-000850	SPRING,TORSION	16
V133-000040	GROMMET	16	V452-000860	SPRING,TORSION	18
V141-000090	GROMMET,PLUG	2	V452-000870	SPRING,TORSION	6
V141-000100	PLUG	4	V470-001520	PIPE	16
V202-000200	BOLT	8	V470-001531	PIPE	16
V202-000200	BOLT	14	V470-001840	PIPE	2
V202-000350	BOLT-SPW	16	V471-002800	PIPE	8
V202-000490	BOLT	18	V475-005180	TUBE	6
V202-000520	BOLT,4	2	V490-000500	CLIP	16
V202-000540	BOLT,4	6	V490-001230	CLIP	2
V202-000690	BOLT,4	4	V505-000070	OIL SEAL	4
V203-000021	BOLT,5	18	V508-000070	OIL SEAL	4
V203-001320	BOLT ADHESIVE	2	V555-000150	BEARING,NEEDLE	18
V203-001410	BOLT ADHESIVE	18	V556-000040	BEARING,NEEDLE 11	2
V203-001450	BOLT	4	V580-000030	RING,END	2
V203-001470	BOLT,ADHESIVE	18	V581-000280	GASKET	8
V203-001490	BOLT TAPPING	16	V592-000290	BEARING, BALL	4
V203-001540	BOLT,ADHESIVE	4	V592-000330	BEARING, BALL	4
V203-001950	BOLT,5	16	V609-000070	PIN,ENG 11	2
V203-002010	BOLT,5	4	V629-000000	ROLLER	4
V203-002200	BOLT,5	12	V651-000011	GEAR,BEVEL	18
V203-002410	BOLT,5	4	V651-001060	GEAR,BEVEL	18
V204-000620	BOLT	6	V652-000150	GEAR	18
V225-000150	BOLT,STUD	4	X124-000681	BAR,GUIDE 40	24
V252-000470	SCREW,4	18	X125-000341	BAR,GUIDE 45	24
V265-000211	NUT,8	18	X490-000360	CHAIN COVER	22
V265-000220	NUT	6	X562-000060	LABEL,SHINDAIWA	14
V265-000550	NUT,8	18	X562-000070	LABEL,SHINDAIWA	18
V266-000090	NUT,10	16	X602-000080	TOOL,WRENCH	22
V303-000320	WASHER,CIRCULAR 5	18			
V304-000270	WASHER,CIRCULAR 6	6			
V307-000451	WASHER,CIRCULAR 10	18			
V308-000040	WASHER,CIRCULAR 11	2			
V341-000000	WASHER,SQUARE	18			
V355-000460	COLLAR,8	4			
V355-000840	COLLAR,8	18			
V357-000370	COLLAR,12	20			
V359-000200	COLLAR	8			
V401-000330	CUSHION	16			