



Electric Lawnmower



Owner's Manual

Masport Electric 1.8kw Mower (553238)

Important

Please read these instructions carefully before assembly, to reduce risk of fire, burn hazard or other injury.

Keep these instructions in a safe place for future use.

This manual covers the Masport Electric Mower.



Do not operate this machine before it has been assembled correctly and you have read and understood these instructions.

Keep the instructions in a safe place for future use.

Contents

Symbols on the machine	2
Symbols in this Owner's Manual	3
Safety warning	3
Safe working	3
Proper usage	4
Maintenance	4
Before Start-up	4
General Arrangement	5
Assembly	5
Operation	7
Using the mower	7
Care and maintenance	8
Troubleshooting	8

Symbols on the Machine

		<p>Carefully read owner's manual before handling the machine. Observe instructions and safety rules when operating.</p>	<p>Shut off engine and remove power cord before untangling the power cord and when performing cleaning, maintenance or repair work.</p>
		<p>Danger – objects may be thrown out at high speed when motor is running. Keep people, pets and domestic animals out of the danger</p>	<p>Wear eye protection.</p>
			<p>Protect against moisture.</p>

	<p>Keep your hands out of the immediate vicinity of rotating parts.</p>		<p>Keep your hands and feet away from sharp parts.</p>
	<p>Keep the lead away from sharp parts.</p>		<p>Keep the supply flexible cord away from the cutting blades.</p>

	<p>Wear ear protection.</p>
	<p>Wear slip-resistant foot protection.</p>
	<p>Wear gloves.</p>
	<p>Wear protective overalls.</p>
	<p>Slip on slope hazard - Use extra caution when mowing on slopes to prevent slip and fall accidents</p>
	<p>Blades continue to rotate after machine is switched off.</p>
	<p>Recycling symbol.</p>
	<p>Class II - Double insulation</p>
	<p>Guaranteed sound power level: 96 dB(A)</p>
	<p>The product complies with the</p>

Symbols in this Owner's Manual



Threatened hazard or hazardous situation.

Not observing this instruction can lead to injuries or cause damage to property.



Important information on proper handling.

Not observing this instruction can lead to faults in the machine.



User information. This information helps you to use all the functions correctly.

Safety Warning



Even though this machine has been designed to be safe in use, it is essential to follow the Safe Working instructions carefully to avoid accidents to persons or property. Particular hazards are the use of incorrect electrical connections or touching exposed electrical components



This appliance is not intended for persons (including children) with reduced physical, sensory or mental capabilities, or lack of experience and knowledge, unless they have been given supervision or instruction concerning the use of the appliance by a person responsible for their safety. Children should be supervised to ensure they do not play with the appliance.

Safe Working

1. Do not switch on the unit until it has been completely assembled. Before switching on the tool, always check the connection cable for signs of damage; only an undamaged connection cable may be used. Damaged connection cables are highly dangerous!
2. Thoroughly inspect the area where the machine is to be used and remove all objects which can be thrown by the machine.
3. Before using, always visually inspect to see that the cutting means, blade nut and the blade assembly are not worn or damaged. Replace worn or damaged components in sets to preserve balance. Replace damaged or unreadable labels.
4. Operate the mower only in daylight or in good artificial light.
5. Avoid operating the mower in wet grass.
6. Always keep a firm hold on the handle.
7. Walk, never run.
8. Mow across the face of slopes, never up and down.
9. Exercise extreme caution when changing direction on slopes.
10. Do not mow excessively steep slopes.
11. Use extreme caution when reversing or pulling the machine towards you.
12. Stop the blade(s) if the machine has to be tilted for transportation when crossing surfaces other than grass, and when transporting the machine to and from the area to be used.
13. Never operate the machine with defective guards or shields, or without safety devices, for example deflectors and/or grass collector, in place.
14. Switch on the motor carefully according to instructions and with feet well away from the blade(s).
15. Do not tilt the machine when switching on the motor, except if the machine has to be tilted for starting. In this case, do not tilt it more than absolutely necessary and lift only the part, which is away from the operator.
16. Do not start the machine when standing in front of the discharge opening.
17. Do not put hands or feet near or under rotating parts.
18. Keep clear of the discharge opening at all times.
19. Do not transport the machine while the power source is running.
20. Stop the machine, and remove the disabling device. Make sure that all moving parts have come to a complete stop whenever you leave the machine, before clearing blockages or unclogging chute, before checking, cleaning or working on the machine, after striking a foreign object.
21. Inspect the machine for damage and make repairs before restarting and operating the machine; if the machine starts to vibrate abnormally (check

immediately), inspect for damage, replace or repair any damaged parts, check for and tighten any loose parts.

22. Keep all nuts, bolts, and screws tight to be sure the appliance is in safe working condition.
23. Be careful during adjustment of the machine to prevent entrapment of the fingers between moving blades and fixed parts of the machine.
24. For rotary mowers, ensure that only replacement cutting systems of the right type are used.
25. When servicing the blades be aware that, even though the power source is switched off, the blades can still be moved.
26. Always allow the machine to cool down before storing



Electrical Safety

1. The electrical data of the electrical supply must be the same as that indicated in the rating plate of this tool. Please do not use the tool if the electrical data is different.
2. Insert the main plug of the unit connection cable into the combined switch/plug.
3. Secure with the cable grip. The loop of the mains cable must be long enough for the cable grip to slide from one side to the other.
4. The extension cable, plug and socket must be watertight and intended for outdoor use.

CAUTION: In order to avoid a hazard due to inadvertent resetting of the thermal cut-out, this appliance must not be supplied through an external switching device, such as a timer, or connected to a circuit that is regularly switched on and off by the utility.

CAUTION

The lawnmower shall not be operated without either the entire grass catcher or the guard in place.



WARNING:

Switch off and remove plug from mains before adjusting, cleaning or if the cord is entangled or damaged.
Read the instructions sheet.
Keep the supply flexible cord away from the cutting blades.
Blades continue to rotate after machine is switched off.



WARNING:

If the supply cord is damaged, it must be replaced by the manufacturer, its service agent or similar qualified persons in order to avoid a hazard.

Proper Usage

Training

1. Read the instructions carefully. Be familiar with the controls and the proper use of the appliance. Know how to stop the mower and disengage the controls quickly in an emergency.
2. Never allow children or people unfamiliar with these instructions to use the appliance. Local regulations may restrict the age of the operator.
3. Never mow while people, especially children, or pets are nearby.
4. The operator or user is responsible for accidents or hazards occurring to other people or their property.

Preparation

1. Thoroughly inspect the area where the equipment is to be used and remove all stones, sticks, wires, bones and other foreign objects before mowing, they could be thrown by the blade.
2. Do not operate the equipment when barefoot or wearing open sandals.
3. Always wear substantial footwear and long trousers. It is advisable to wear suitable eye protection.
4. Mow only in daylight or good artificial light, and always keep children away from the mowing area.
5. Never operate the equipment in wet grass. Always be sure of your footing; keep a firm hold on the handle and walk; never run. Never walk backwards while cutting grass.
6. Before using, always visually inspect to see that the blades, blade bolts and cutter assembly are not worn or damaged. Replace worn or damaged blades and bolts in sets to preserve balance.
7. On multi-bladed appliances, take care as rotating one blade can cause other blades to rotate.

Operation

1. Mow only in daylight or in good artificial light.
2. Avoid operating the appliance in wet grass, where feasible.
3. Always be sure of your footing on slopes.
4. Walk, never run.
5. For wheeled rotary mowers, mow across the face of slopes, never up and down.
6. Exercise extreme caution when changing direction on slopes.
7. Do not mow excessively steep slopes.
8. Use extreme caution when reversing or pulling the appliance towards you.
9. Stop the blade(s) if the appliance has to be tilted for transportation when crossing surfaces other than grass, and when transporting the appliance to and from the area to be mowed.
10. Never operate the appliance with defective guards or shields, or without safety devices, for example deflectors and/or grass catchers, in place.
 - Switch on the motor according to instructions and with feet well away from the blade(s).
 - Do not tilt the appliance when switching on the motor, except if the appliance has to be tilted for starting. In this case, do not tilt it more than absolutely necessary and lift only the part which is away from the operator. Always ensure that both hands are in the operating position before returning the appliance to the ground.
11. Do not put hands or feet near or under rotating parts. For rotary mowers, keep clear of the discharge opening at all times.
12. Never pick up or carry an appliance while the motor is running.
13. Pull the plug from the socket:
 - whenever you leave the machine;
 - before clearing a blockage;
 - before checking, cleaning or working on the appliance;
 - after striking a foreign object. Inspect the appliance for damage and make repairs as necessary;
 - if the appliance starts to vibrate abnormally (check immediately).
- 4 14. Mow across the face of slopes; never up and

- down. Exercise extreme caution when changing direction on slopes. Do not mow excessively steep slopes, over 30°.
15. Do not tilt the mower when starting the engine.
 16. Start the motor carefully with feet well away from the blades.
 17. Do not put hands or feet near or under rotating parts. Always keep clear of the blade.
 18. Stop the mower when crossing gravel drives, walks or other areas where stones may pitch up.
 19. Don't mow over heavy or solid objects as striking them with the blade can cause serious damage to the motor and will void your warranty.
 20. After striking a foreign object, stop the motor, unplug the mains lead from the power supply and thoroughly inspect the mower for any damage, and repair the damage, or take it to a specialist before restarting and operating the mower.
 21. If the mower should start to vibrate abnormally, stop and check immediately for the cause. Vibration is generally a warning of trouble.
 22. Stop the motor whenever you leave the mower, even for a moment, before cleaning the mower housing, and when making any repairs or inspections.
 23. When cleaning, repairing or inspecting, make certain the blade and all moving parts have stopped and that the motor has had time to cool. Disconnect the electric lead from the mains to prevent accidental starting.
 24. Do not run the motor indoors.
 25. Shut the motor off and wait until the blade comes to a complete stop before un-clogging obstructions.
 26. Never operate the mower without proper guards, deflectors provided by the manufacturer, or other safety devices in place.
 27. Never pick up or carry a mower when it is operating.
 28. Never carry the mower by the cord.
- Never operate the appliance in the rain.

Maintenance

1. Before using, check the blade(s) and blade bolt(s) for wear and damage. Replace worn or damaged blades and bolts in sets to preserve the balance. **DAMAGED BLADES AND WORN BOLTS ARE MAJOR HAZARDS. Ensure that only replacement cutting means of the right type are used.**
2. Keep all nuts, bolts and screws tight to be sure the mower is in safe working condition.
3. Allow the motor to cool before storing in any enclosure.
4. To reduce fire hazard, keep the engine free of grass and leaves.
5. Check the grass catcher frequently for wear or deterioration.
6. Replace worn or damaged parts for safety.

Storing your Mower

The handle can be folded to minimise space requirements. **FOLDING THE HANDLE.** Unlock the handle clamps in the middle of the handle and fold the top section over the motor.



Check that the electrical cables are not being strained while folding and unfolding the handle. Permanent kinks will cause damage to the cables.

Before Start-up

- Check that the machine is completely and correctly assembled.
- Before using the mower, make sure each time that...
 - the power supply cable is not damaged, no tears, cuts, etc.
 - the machine is not damaged.
 - all screws are tight.



Mains Connection

- Compare the voltage given on the machine model plate e.g. 230 V with the mains voltage and connect the machine to the relevant and properly earthed plug.
- Only use connection cables with sufficient diameters.
- Do not use any defective connection cables.
- Connect the machine via a 30 mA fault current safety switch.
- Use a socket with RCD protection.

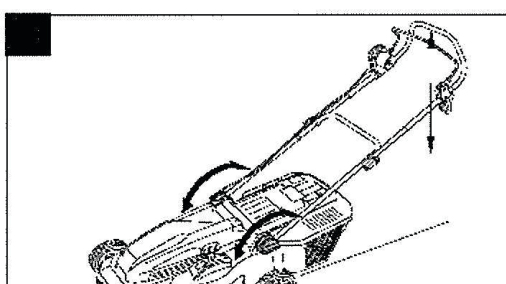
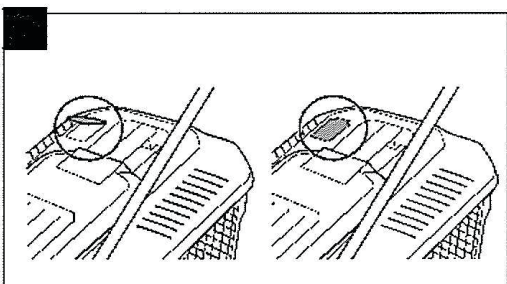
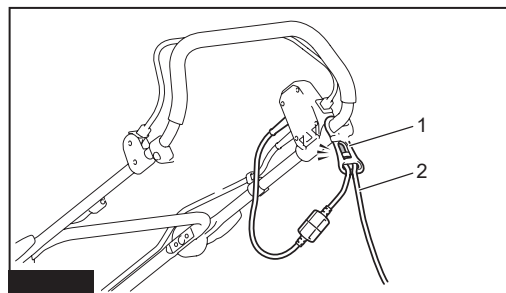
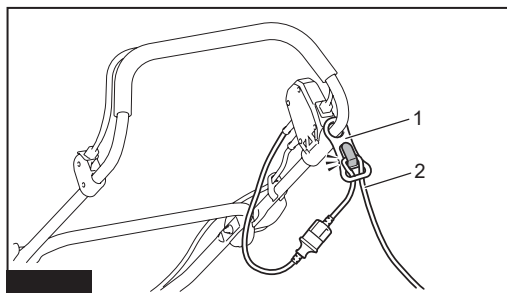
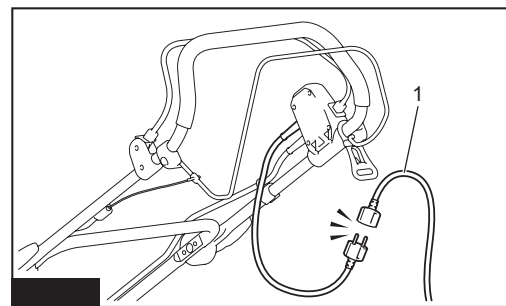
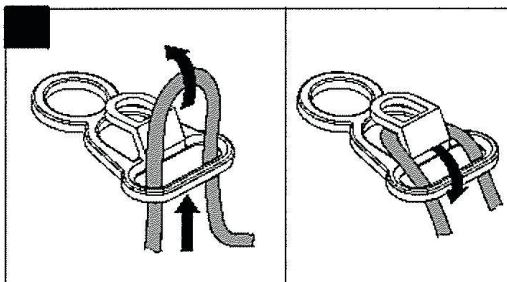


Fuse protection: 10 A

General Arrangement

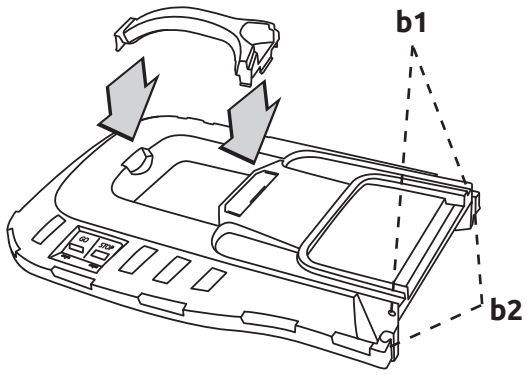
Your lawnmower has been designed for mowing grass.

1. Motor cover
2. Lower handle
3. Upper handle
4. Cable clip
5. Handle knob and bolt
6. Height adjustment lever
7. Safety button
8. ON/OFF switch
9. Grass catcher

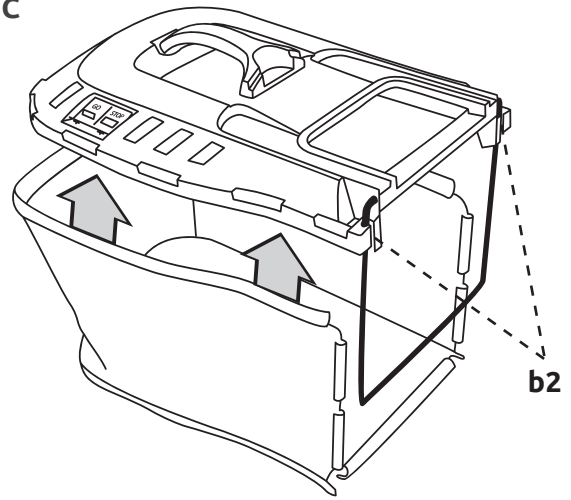




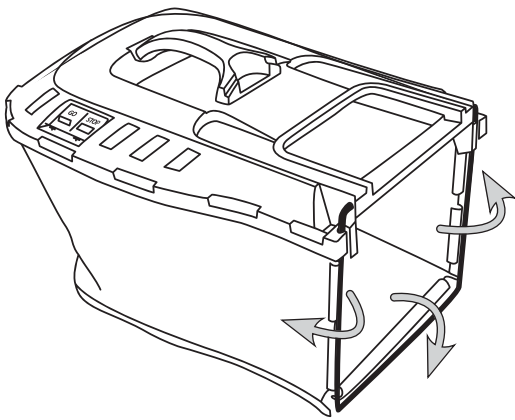
B



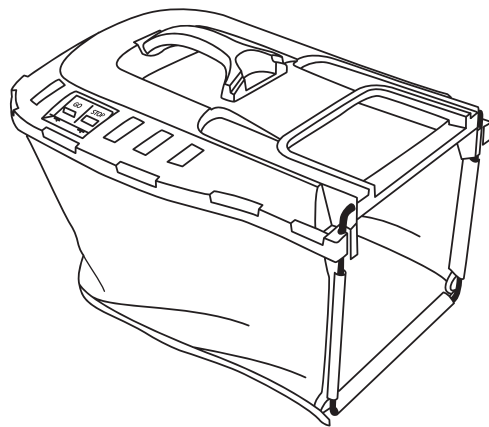
C



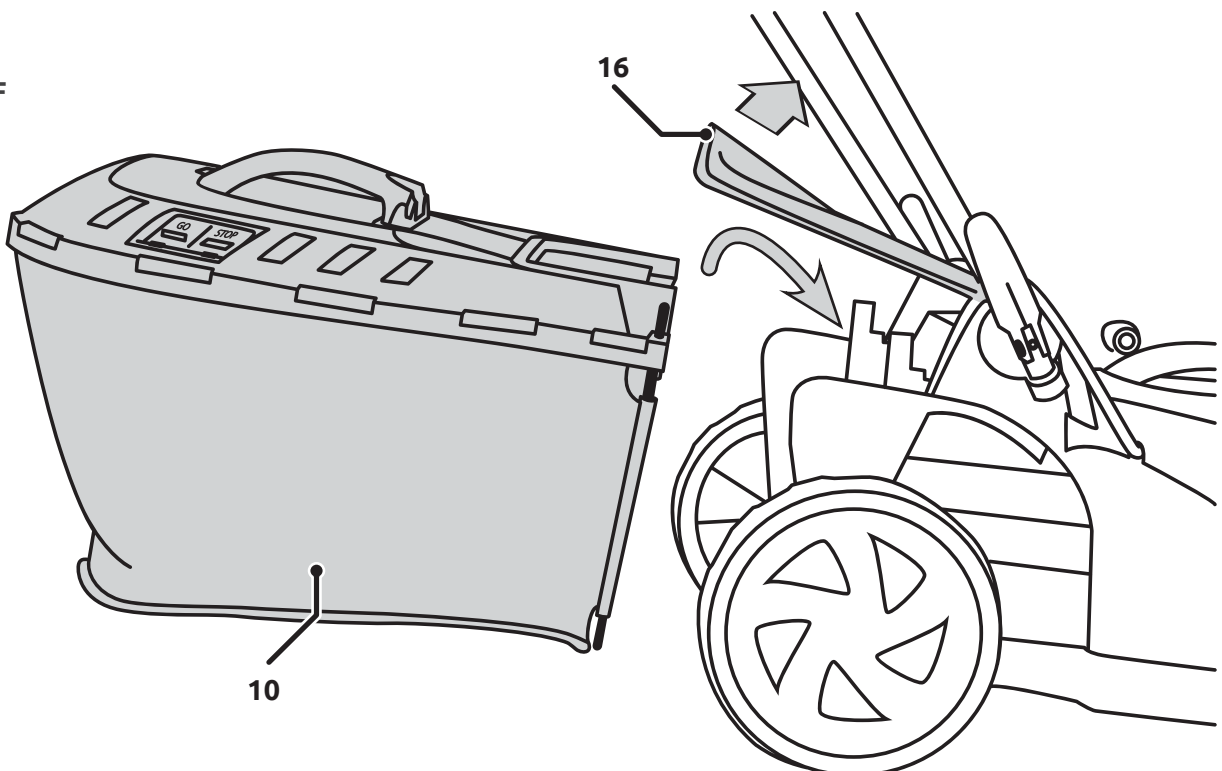
D



E



F



Operation

Adjusting the mowing height

The appliance can be adjusted to five mowing heights.

- Set the appliance to the required height by sliding the height adjustment lever to the corresponding position.

Height adjustment lever

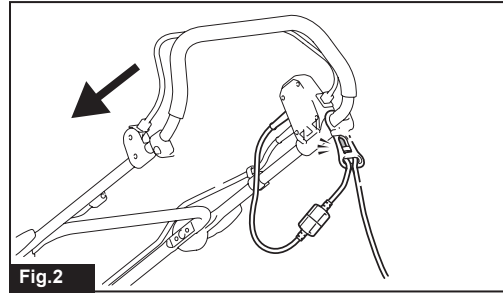


Fig.2

Technical Spec

Voltage	V	220-240
	Hz	50
Rated Power Input	W	1,800
No Load Speed	min ⁻¹	3,400
Cutting Width	mm	420
Cutting Height	mm	20~70
Collector Capacity	L	50
Weight	Kg	13

Using the mower

- Connect the appliance to a suitable extension cord.
- 1. Connect female extension cable connector to the three pin plug on the mower.
- Form a loop in the mains cable and push the loop through the slot "A" as illustrated, Figure J. To secure, position loop over the hook "B" and pull the cable back through the slot "C".
- Hold the appliance with both hands.
- Keep the appliance away from hard objects and plants.
- When working long grass proceed layer for layer. First set the appliance to the maximum mowing height, then to a lower mowing height.
- Only use the appliance for working dry grass.
- Empty the collector after each use.

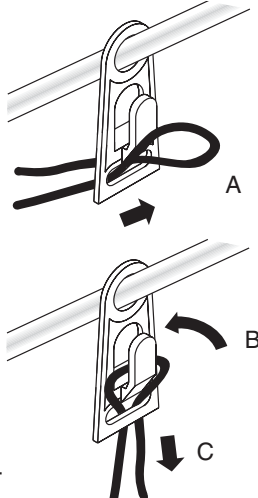


Figure J

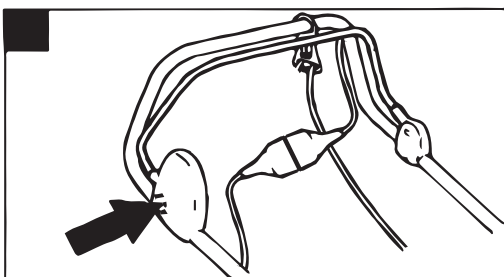


Warning!

Cutting grass that is too long on a low mowing height can clog the mower and result in motor failure. When cutting long grass, start from the maximum cutting height and gradually lower the cutting height until the desired grass height is achieved.

Switching on and off

- To switch the appliance on, keep the lock-off lever depressed and press the on/off switch (1)
- To switch the appliance off, release the lever (2)



Sound emission values determined according to EN 60335-1, EN 60335-2-77

Typically the A-Weighted noise levels of the product are:

Sound Pressure level	dB(A)	82,6
Guaranteed sound power level	dB(A)	96
Uncertainty KWA	dB	1,66
Uncertainty Kpa	dB	2.5

Vibration total values a (triax vector sum) and uncertainty K determined according to EN 60335-1, EN 60335-2-77

Vibration level max:

a_{h,HD}	m/s ²	2,717
K	m/s ²	1,5

Care and maintenance

The machine does not require any special maintenance.

Cleaning (Use gloves)

It is very important that you keep your lawnmower clean. Grass clippings left in any of the air intakes or under the hood could become a potential fire hazard.

1. Remove grass from under the hood with a piece of wood or similar.
2. Using a soft brush - remove grass clippings from all air intakes.
3. Apply a few drops of oil to the cutting mechanism to avoid oxidation.
4. Wipe over the surface of your lawnmower with a dry cloth.



Important!

Never use water for cleaning your lawnmower. Do not clean with chemicals, including petrol, or solvents - some can destroy critical plastic parts.

When you finish mowing

1. Replace blade, bolts, nuts or screws, if necessary.
2. Clean your lawnmower thoroughly.
3. Ask your local Service Centre to clean the air filter thoroughly and carry out any service or repairs required.
4. Make sure that the electric cable is coiled properly.

Carrying your Lawnmower

Ensure the blade is facing away from you.
Storing your Lawnmower Store in a dry place where your lawnmower is protected from damage.

Professional Inspection Required:

- after collision with an obstacle
- after sudden stoppage of the motor
- if the blade is bent
- if the motor shaft is bent

Distributed by:

Australia
Distributed by Masport
P.O. Box 533
Braeside. VIC. 3195
Phone: 1300 366 225
Facsimile: 1800 035 594

New Zealand
Distributed by Masport
P.O. Box 14-349
Auckland
Phone: 09 571 1200
Facsimile: 09 571 5864

Troubleshooting

Fault	Possible Cause	Solution
Motor does not start	No power supply	Check fuse / extension lead
	Machine cable defective	Contact Masport / Authorised specialist workshop
	Blade jammed	Clean ejection channel / housing; the blade must rotate freely. Start on low grass or on the section of the lawn that has already been mown; correcty the cutting height.
Loss of motor performance	Too much grass in the ejection channel or housing	Clean ejection channel/housing. Correct the cutting height.
	Blade blunt	Contact Masport / Authorised specialist workshop and have the blade sharpened/replaced.
Grass collection box does not fill up sufficiently.	Lawn wet	Allow the lawn to dry
	Grass collection box clogged	Clean the grid of the grass collection box
	Too much grass in ejection channel or housing	Clean ejection channel/housing. Correct the cutting height.
	Blade blunt	Contact Masport / Authorised specialist workshop and have the blade sharpened/replaced.

Masport Ltd

320 Ti Rakau Drive, East Tamaki, Auckland 2013
New Zealand
P.O.Box 14 349, Panmure, Auckland 1741