

Masport®

DOMESTIC ROTARY MOWERS

ELECTRIC MOWER

Part Number
553238

Model
420mm

Motor
1.8Kw

Month and Year of First Manufacture: October 2021



Issue A.0
Nov 2021 PB
ECN # 12866
IPL Ref # 753238

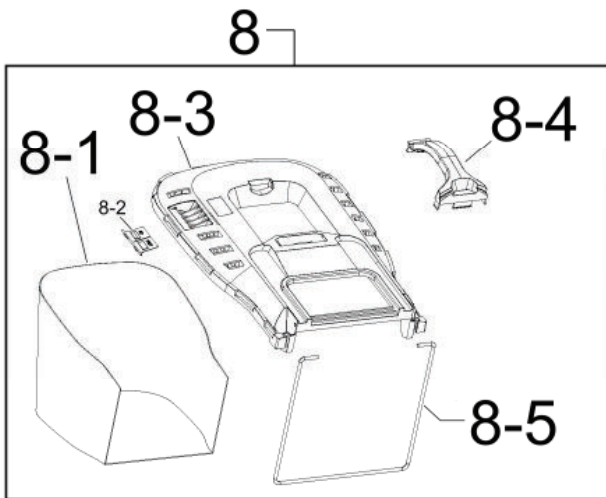


553238 Mas Electric
420mm - 1.8Kw

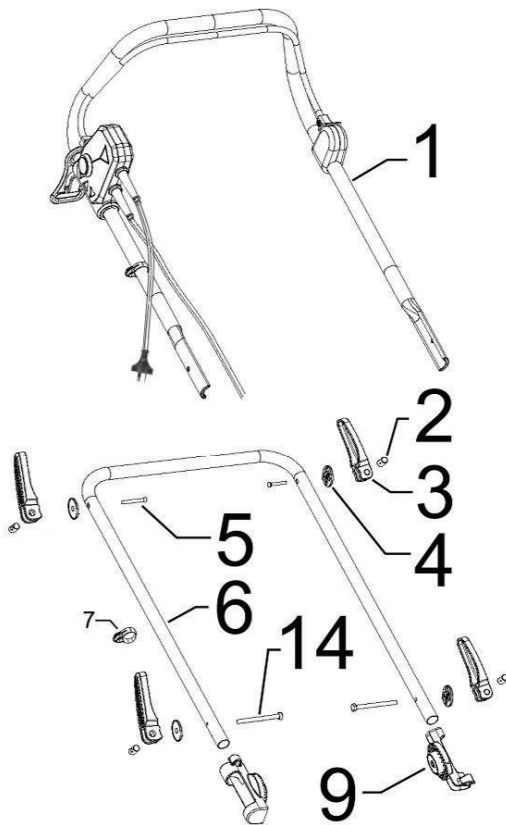
Masport®

Issue A.0
Nov 2021 PB
ECN # 12866
IPL Ref # 753238

Note, only enlarged numbers shown on this page are available as spare parts



Item	Part No	Description	Qty
8	546801	Catcher Assembly	1
8-1	546732	*Catcher- Bag	1
8-3	546733	*Catcher- Top	1
8-4	546911	*Handle- Catcher	1
8-5	546734	*Catcher- Bar Support	1



Item	Part No	Description	Qty
1	543314	Switch Assembly	1
2	546798	Pin- Handle	4
3	546730	Handle- Adjuster	4
4	546799	Gasket- Handle	4
5	546800	Bolt- Handle	2
6	546731	Handle- Lower	1
9	546754	Quadrant- Handle	2
14	546910	Six Angle Bolt	M6 x 65 2

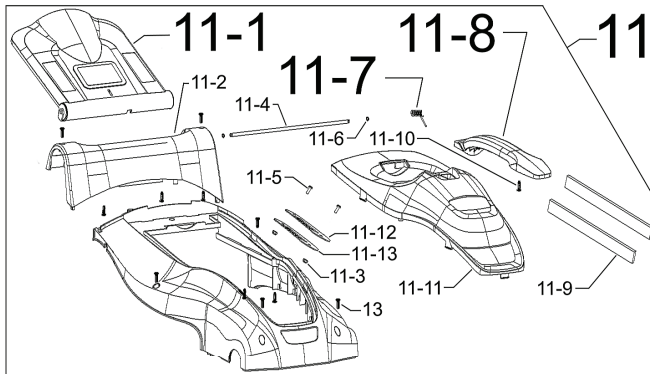


553238 Mas Electric
420mm - 1.8Kw

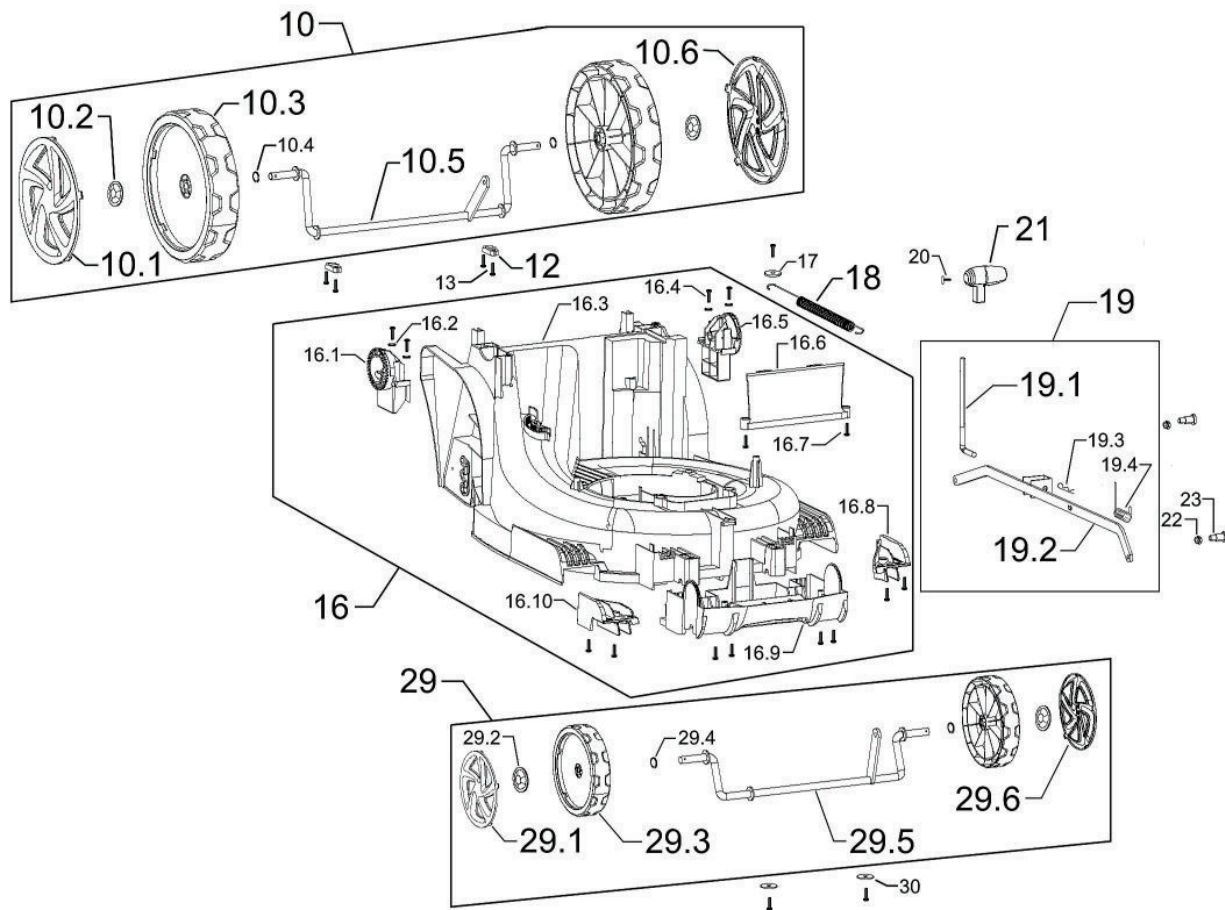
Masport®

Issue A.0
Nov 2021 PB
ECN # 12866
IPL Ref # 753238

Note, only enlarged numbers shown on this page are available as spare parts



Item	Part No	Description	Qty
11	546803	Housing- Top Assembly	1
11-1	546756	*Flap- Rear Assembly	1
11-7	546804	*Spring- Flap	1
11-8	546805	*Handle- Flap	1



Item	Part No	Description	Qty	Item	Part No	Description	Qty
10	546802	Rear Axle Assembly	1	19	546812	Height Adjust Assembly	1
10-1	546735	*Cap- Wheel, LH	1	19.1	546751	*Height Lever	1
10-2	546755	*Bush- Wheel	2	19.2	546741	*Connecting Rod	1
10-3	546736	*Wheel- Rear	2	21	546750	Handle	1
10-5	546737	*Axle- Rear Assy	1	29	546813	Front Axle Assembly	1
10-6	546738	*Cap- Wheel, RH	1	29.1	546746	*Cap- Wheel, Front RH	1
12	546740	*Axle- Positioning Plate	2	29.3	546747	*Wheel- Front	2
16	546810	Body Assembly	1	29.5	546748	Axle- Front Assembly	1
18	546811	Spring- Height Adjust	1	29.6	546749	*Cap- Wheel, Front LH	1

When ordering spares: PLEASE QUOTE PART NUMBER & DESCRIPTION, NOT illustrated number. Item Qty = 1 per part unless stated differently.
BOLD TEXT = Assemblies. Descriptions starting with * = items included in the assemblies & may not be available as a spares item.
 Determine the left or right hand sides by standing in the operating position (standing at the handle).

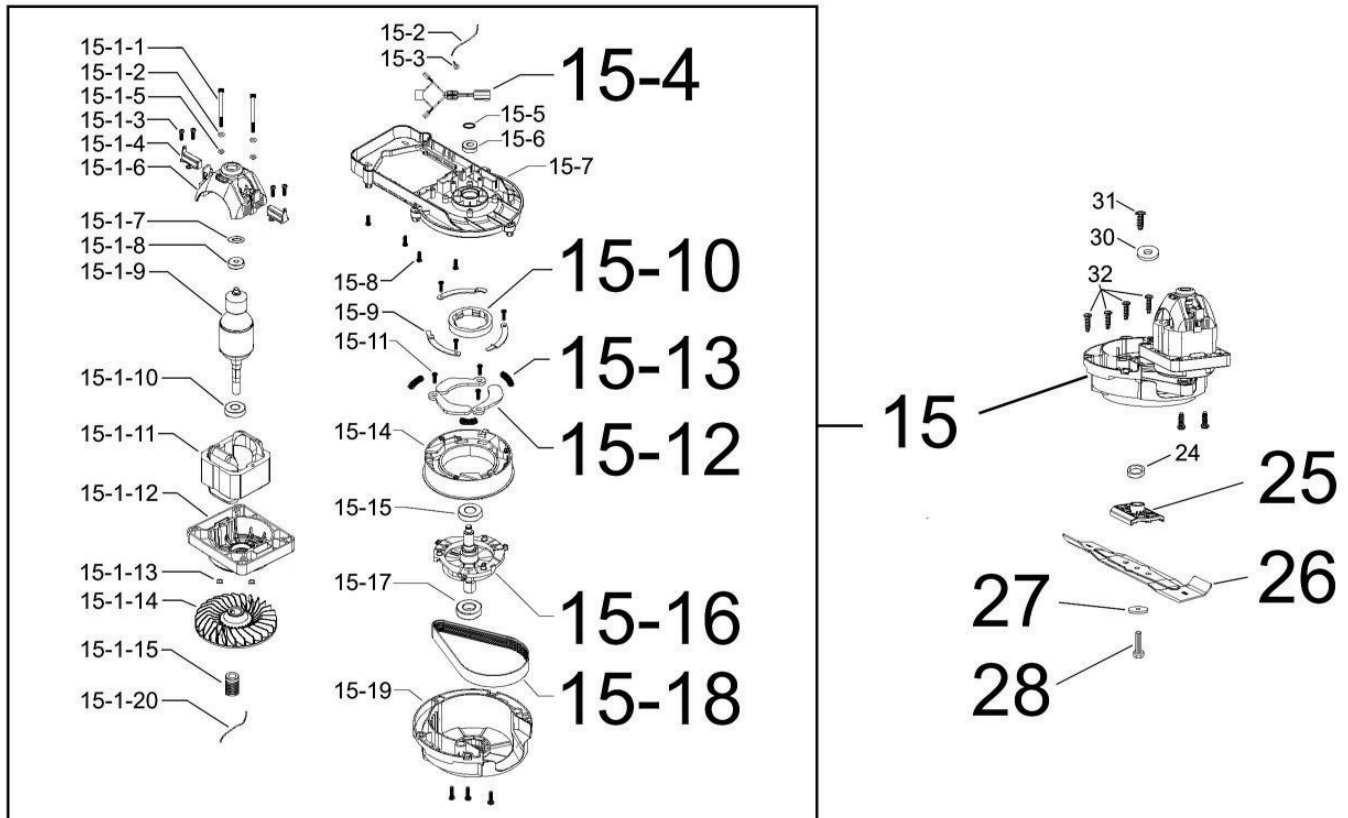


553238 Mas Electric
420mm - 1.8Kw

Masport®

Issue A.0
Nov 2021 PB
ECN # 12866
IPL Ref # 753238

Note, only enlarged numbers shown on this page are available as spare parts



Item	Part No	Description	Qty	Item	Part No	Description	Qty
15	546739	Motor Assy- 1800w 230v	1	25	546742	Driver- Blade	1
15-4	546753	*Brush- Motor	1	26	546743	Blade	1
15-10	546806	*Brake	1	27	546744	Blade- Washer	1
15-12	546807	*Brake Pads	3	28	546745	Blade- Bolt	1
15-13	546808	*Spring- Governor	3				
15-16	546809	*Disc- Brake	1				
15-18	546752	*Belt- Motor	1				

When ordering spares: PLEASE QUOTE PART NUMBER & DESCRIPTION, NOT illustrated number. Item Qty = 1 per part unless stated differently.
BOLD TEXT = Assemblies. Descriptions starting with * = items included in the assemblies & may not be available as a spares item.
 Determine the left or right hand sides by standing in the operating position (standing at the handle).