



# ZT

## Parts Manual

*Models:*

**915288 – ZT 34**  
(SN 000101 +)

**915289 – ZT 42**  
(SN 000101 +)

**915290 – ZT 52**  
(SN 000101 +)

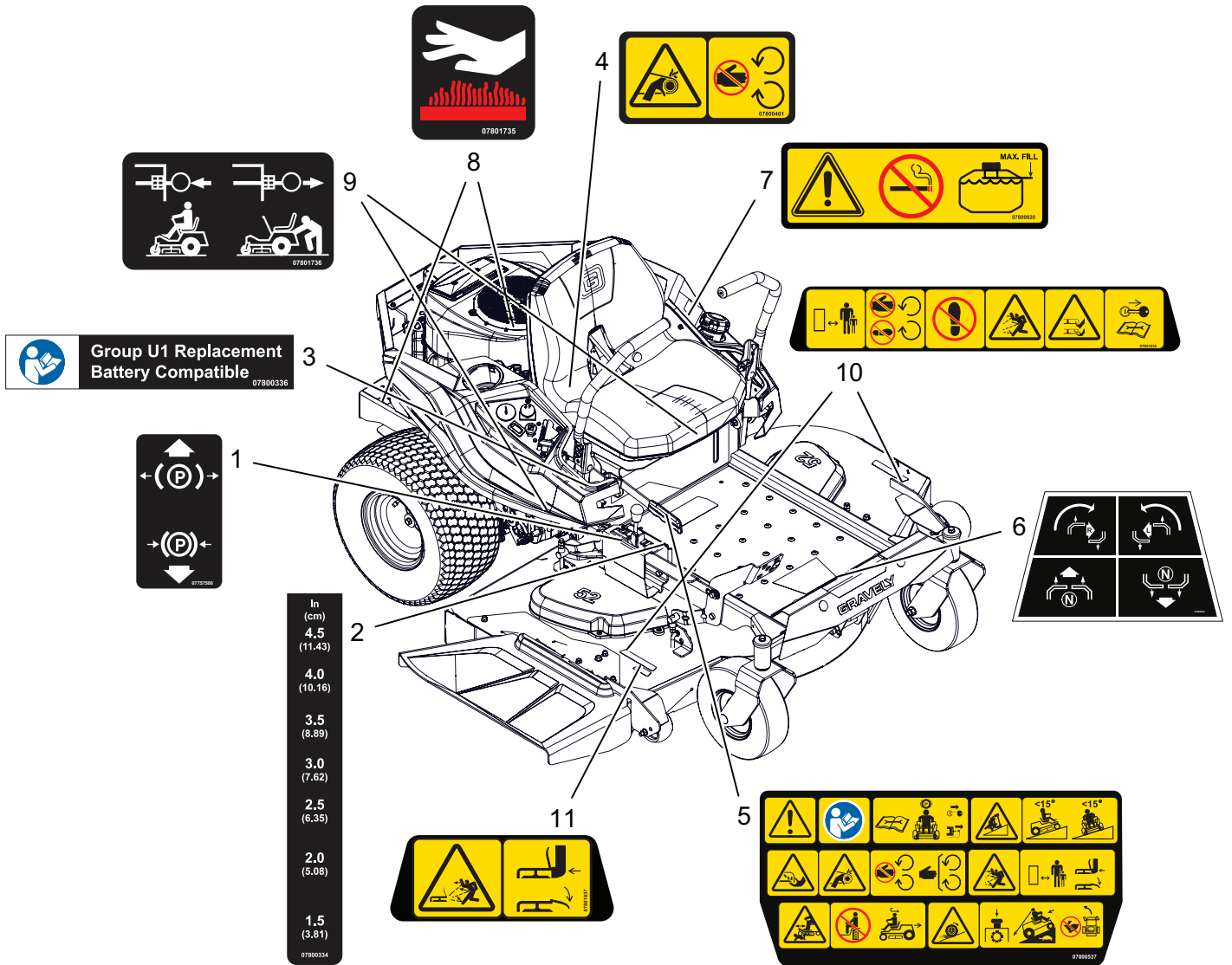
# TABLE OF CONTENTS

---

Decals – Safety .....	3
Decals – Style – 34" .....	4
Decals – Style – 42" .....	5
Decals – Style – 52" .....	6
Frame .....	7
Engine – Kawasaki FR600 .....	8
Engine – Kawasaki FR651V .....	9
Muffler Guarding.....	10
Engine Shroud.....	11
Seat and Seat Support .....	12
Fenders .....	13
Fuel System.....	14
Steering Controls.....	15
Parking Brake .....	16
Front and Rear Wheels – 34" .....	17
Front and Rear Wheels – 42" .....	18
Front and Rear Wheels – 52" .....	19
Transaxles and Idler Pulley – 34" .....	20
Transaxles and Idler Pulley – 42" and 52" .....	21
Control Panel.....	22
Electrical .....	23
Wiring Diagram .....	24
Continuity Diagram .....	25
Deck Lift.....	26
Deck Lift (Continued).....	27
Deck, Belt, Blades, and Spindles – 34" .....	28
Deck, Belt, Blades, and Spindles – 42" .....	29
Deck, Belt, Blades, and Spindles – 52" .....	30
Idlers and Sheaves – 34" .....	31
Idlers and Sheaves – 42" .....	32
Idlers and Sheaves – 52" .....	33
Anti-Scalp Wheels – 52".....	34
Belt Covers and Baffle – 34" .....	35
Belt Covers and Baffle – 42" .....	36
Belt Covers – 52".....	37
Discharge Chute – 34" .....	38
Discharge Chute – 42" .....	39
Discharge Chute – 52" .....	40

# DECALS – SAFETY

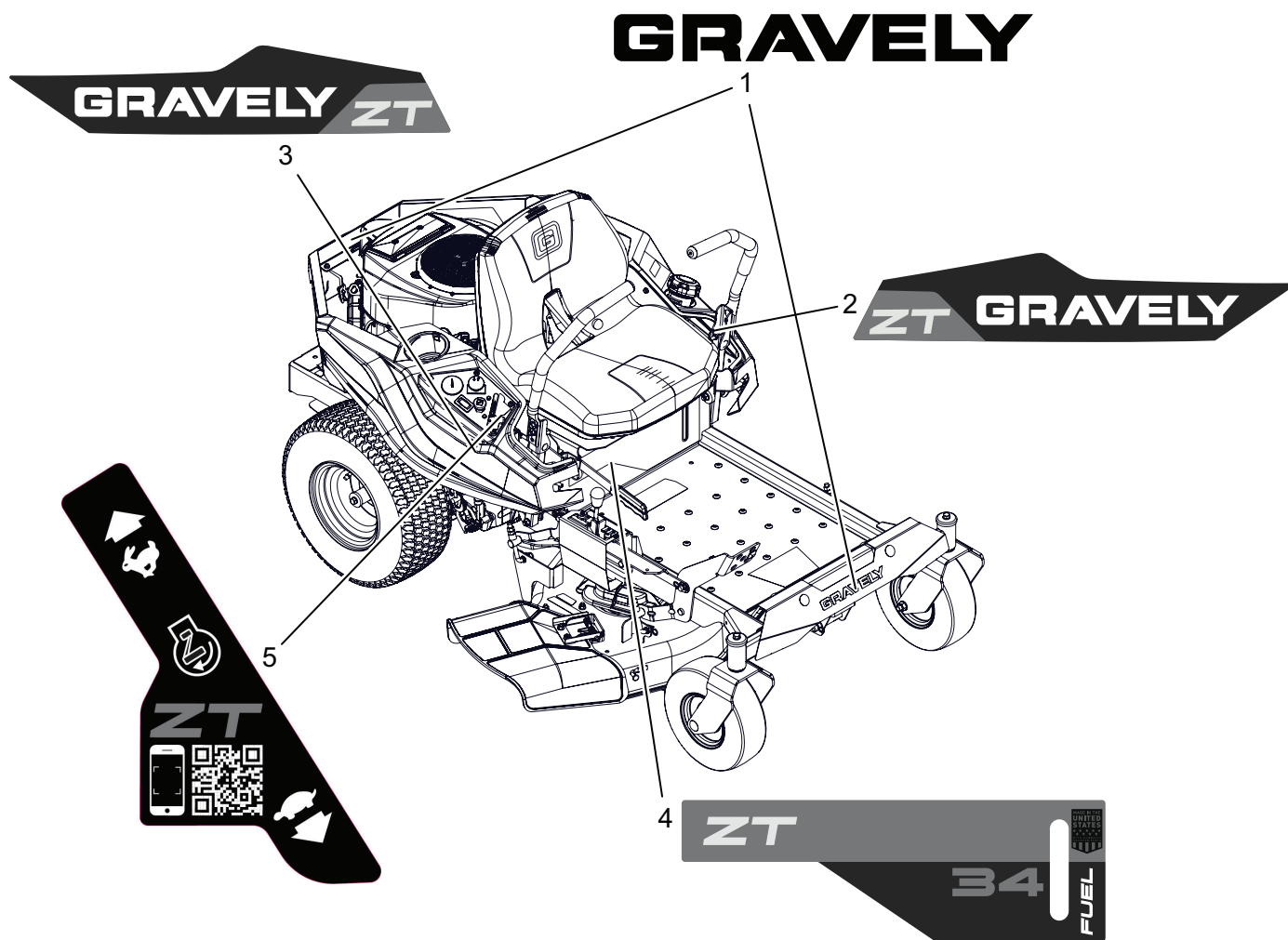
## Model All



BOM ID	Number	Qty	Description
1	07757500	1	DECAL, PARKING BRAKE LEVER
2	07800334	1	DECAL, HEIGHT OF CUT
3	07800336	1	DECAL, INSTRUCTION - U1 REPLACEMENT BATTERY
4	07800401	1	DECAL, SAFETY - GUARDING
5	07800537	1	DECAL, MAIN SAFETY
6	07800541	1	DECAL, INSTRUCTION - STEERING
7	07800820	1	DECAL, FUEL WARNING
8	07801735	2	DECAL, SAFETY HOT SURFACE
9	07801736	2	DECAL, TRANSAXLE DISCONNECT
10	07801836	2	DECAL, SAFETY -MOWER DECK
11	07801837	1	DECAL, SAFETY -DECK GUARDING

# DECALS – STYLE – 34"

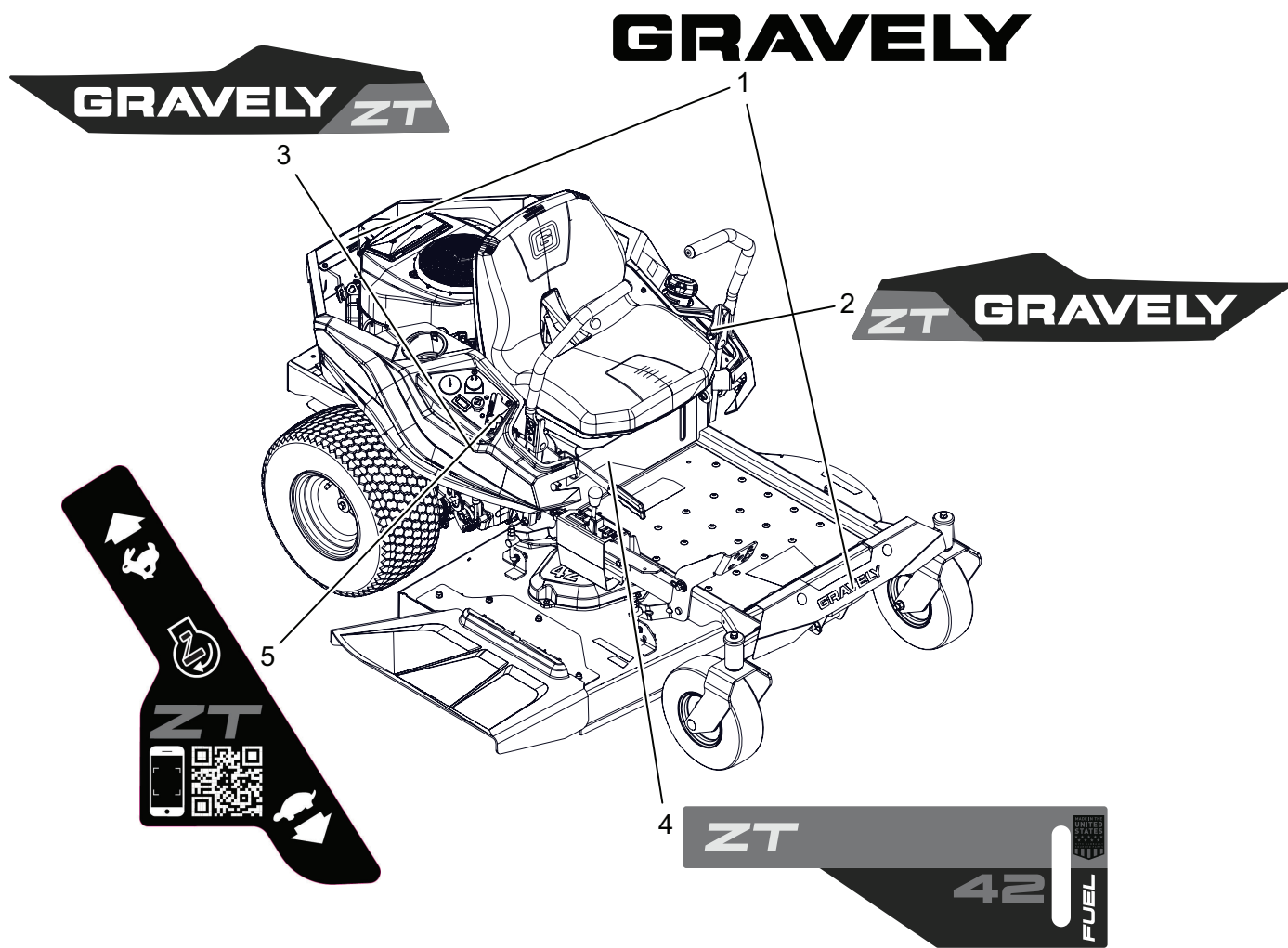
Model 915288



BOM ID	Number	Qty	Description
1	07801708	2	DECAL, GRAVELY
2	07802211	1	DECAL, GRAVELY (FENDER LH)
3	07802212	1	DECAL, GRAVELY (FENDER RH)
4	07802213	1	DECAL, ZT34 KICKPLATE
5	07802216	1	DECAL, THROTTLE CONTROL-ZT

# DECALS – STYLE – 42"

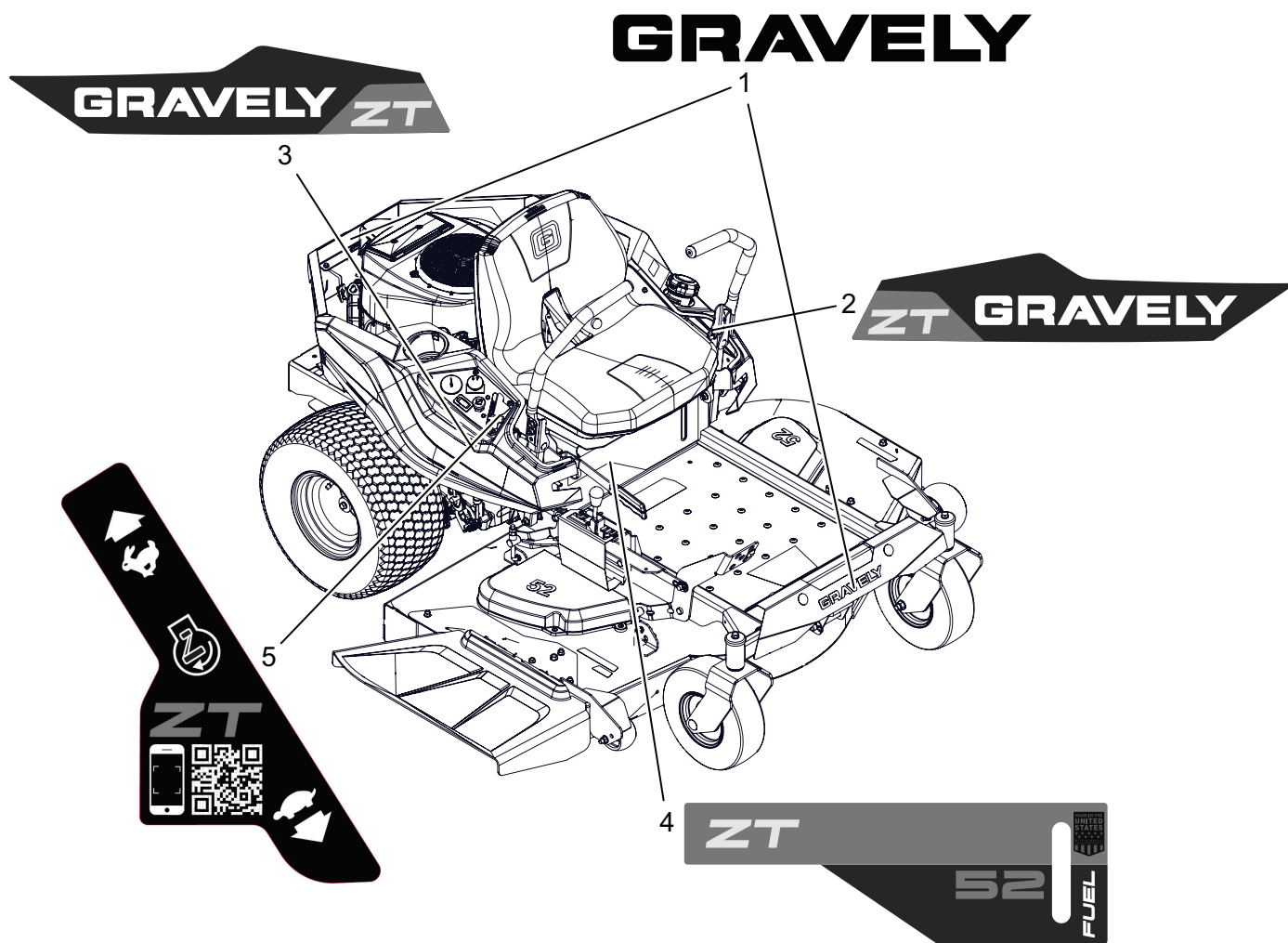
Model 915289



BOM ID	Number	Qty	Description
1	07801708	2	DECAL, GRAVELY
2	07802211	1	DECAL, GRAVELY (FENDER LH)
3	07802212	1	DECAL, GRAVELY (FENDER RH)
4	07802214	1	DECAL, ZT42 KICKPLATE
5	07802216	1	DECAL, THROTTLE CONTROL-ZT

# DECALS – STYLE – 52"

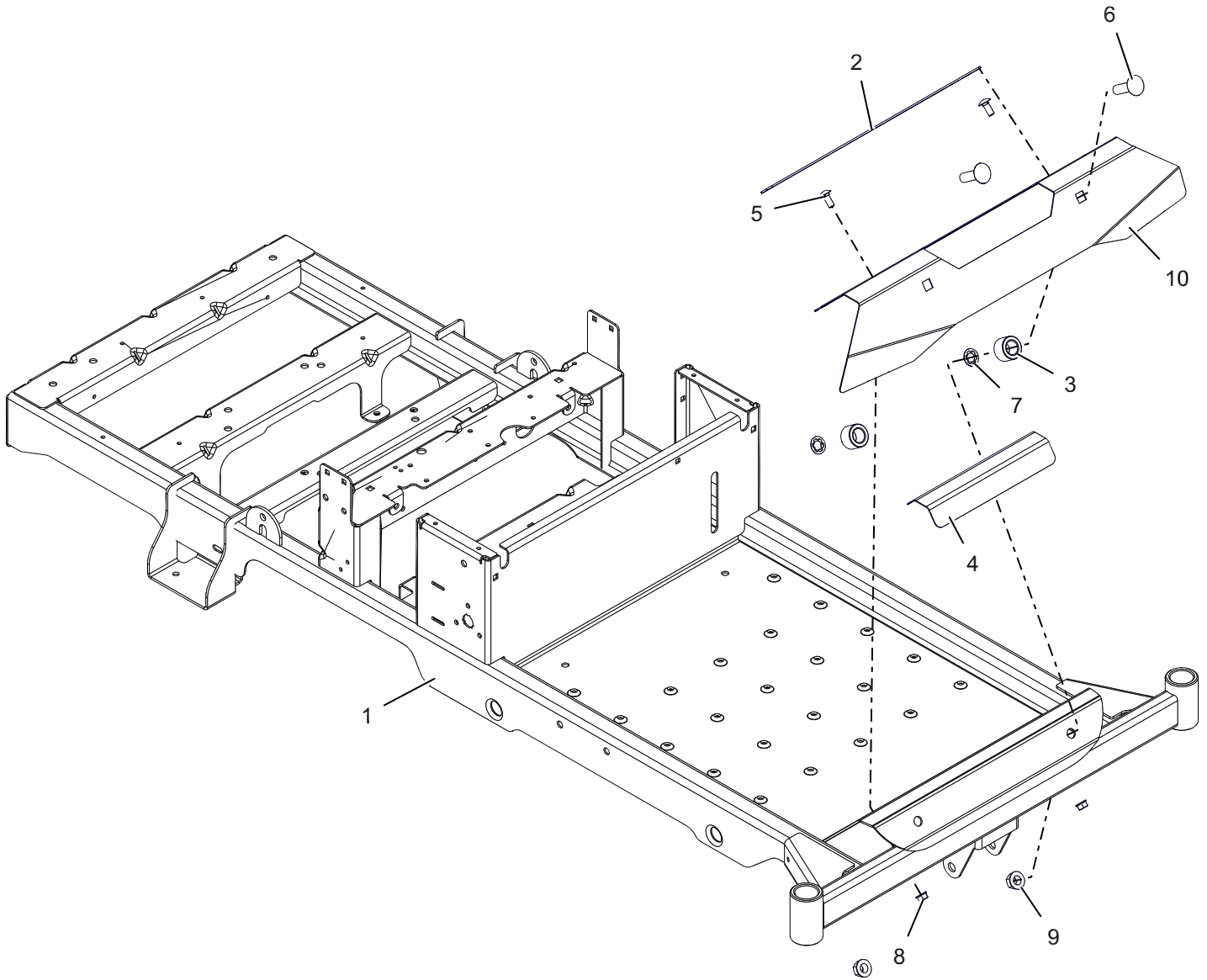
Model 915290



BOM ID	Number	Qty	Description
1	07801708	2	DECAL, GRAVELY
2	07802211	1	DECAL, GRAVELY (FENDER LH)
3	07802212	1	DECAL, GRAVELY (FENDER RH)
4	07802215	1	DECAL, ZT52 KICKPLATE
5	07802216	1	DECAL, THROTTLE CONTROL-ZT

# FRAME

Model All

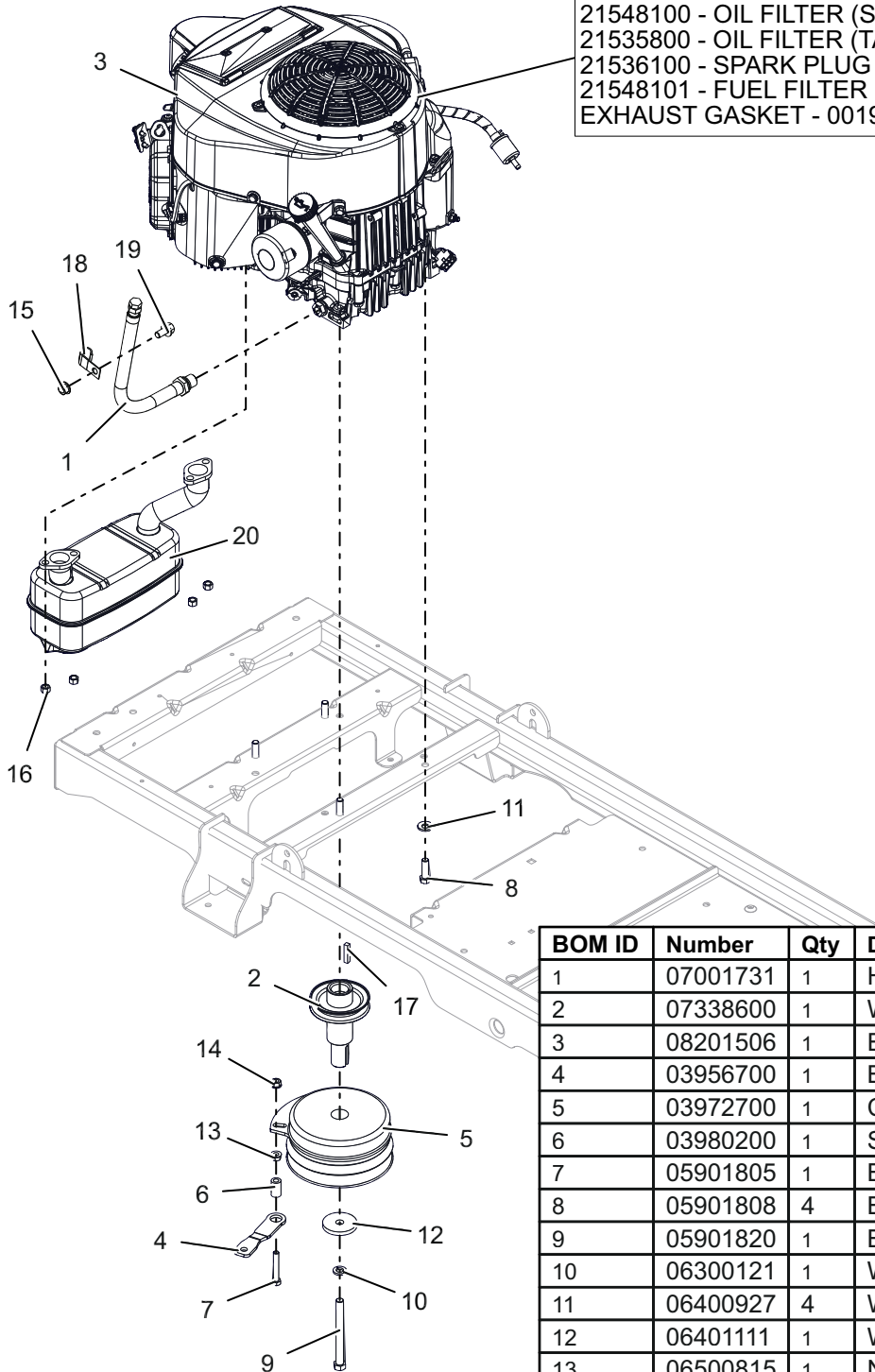


BOM ID	Number	Qty	Description
1	51538500	1	KIT, ZT FRAME W/DECALS
2	03833800	1	GRIP, ADHESIVE (1" X 16" BLK)
3	04192901	2	TUBE, UPPER CONTROL PIVOT
4	05109100	1	GRIP, STEP
5	06200309	2	BLT,RHSSN .313-18 X 0.75 G5 ZCC
6	06200330	2	BLT,RHSN .500-13 X 1.75 G5 ZCC
7	06500705	2	NUT, PUSH .50
8	06500840	2	NUT, FLG-CTR LK .312-18 GR5 ZCC
9	06500902	2	NUT, FLG-CTR LK .500-13 GF ZCC
10	30192853	1	FOOTREST, GRAVELY (RED)

# ENGINE – KAWASAKI FR600

Model 915288, 289

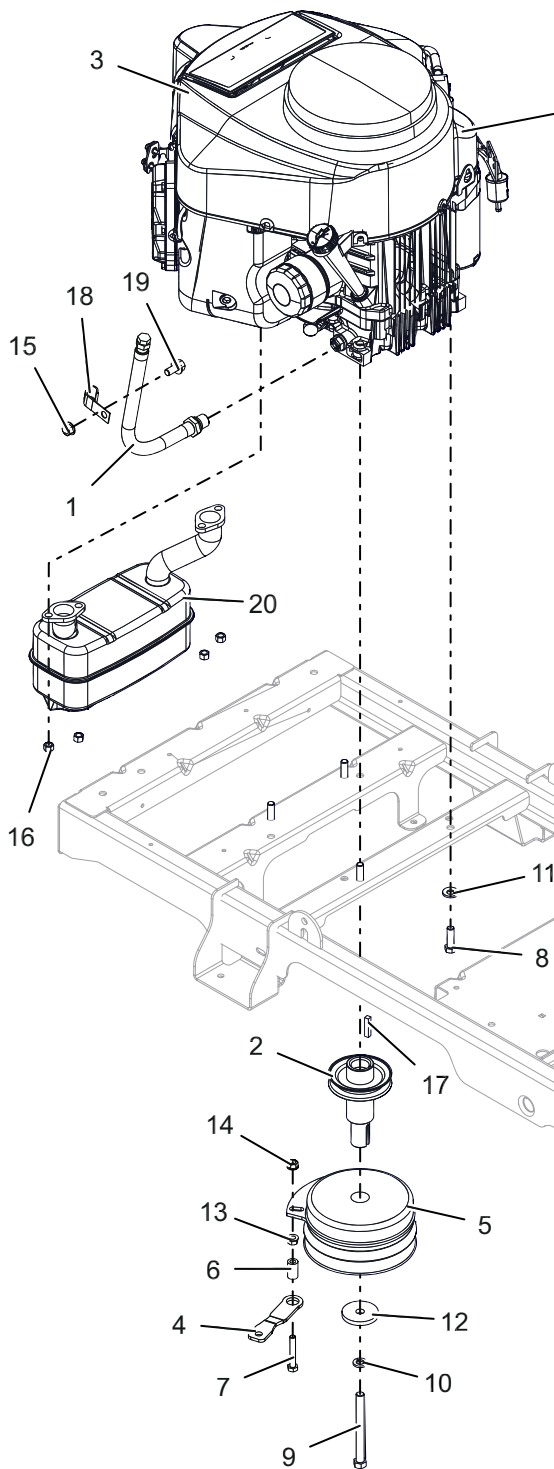
SERVICE PARTS:  
 21565300 - AIR FILTER  
 21548100 - OIL FILTER (SHORT)  
 21535800 - OIL FILTER (TALL)  
 21536100 - SPARK PLUG  
 21548101 - FUEL FILTER  
 EXHAUST GASKET - 00191627



BOM ID	Number	Qty	Description
1	07001731	1	HOSE, OIL DRAIN
2	07338600	1	WLDMT, CRANKSHAFT EXTENSION
3	08201506	1	ENGINE, KAWASAKI FR600
4	03956700	1	BRKT, CLUTCH
5	03972700	1	CLUTCH, 105 FT*LB MONO POLE
6	03980200	1	SPCR, RUBBER 5/16 ID X 1.0 LG
7	05901805	1	BLT, HEX 0.3125-18X2 GR5 ZCC
8	05901808	4	BLT, HEX 0.375-16X1.25 GR5 ZCC NT
9	05901820	1	BLT, HEX 0.4375-20X4.5 G8 ZCC NT
10	06300121	1	WSHR,LK-REG 0.44 X 0.109 ZCC
11	06400927	4	WSHR, 3/8" SPRING DISC
12	06401111	1	WSHR-FL-STL 0.469X2X0.25 ZCC
13	06500815	1	NUT, FLG-SPNLK .312-18 GR5 ZC120
14	06500840	1	NUT, FLG-CTR LK .312-18 GR5 ZCC
15	06500901	1	NUT, FLG-CTR LK .375-16 GR5 ZC120
16	06500919	4	NUT, HEX-TOP LK M8-1.25 ZCC
17	06603400	1	KEY-SQ .250X.250X1.250
18	06916000	1	J-CLAMP
19	07001824	1	BLT, SERHFWH 0.375-16X0.75 GR5 ZCC
20	30191800	1	MUFFLER, KAWI- FR600

# ENGINE – KAWASAKI FR651V

Model 915290

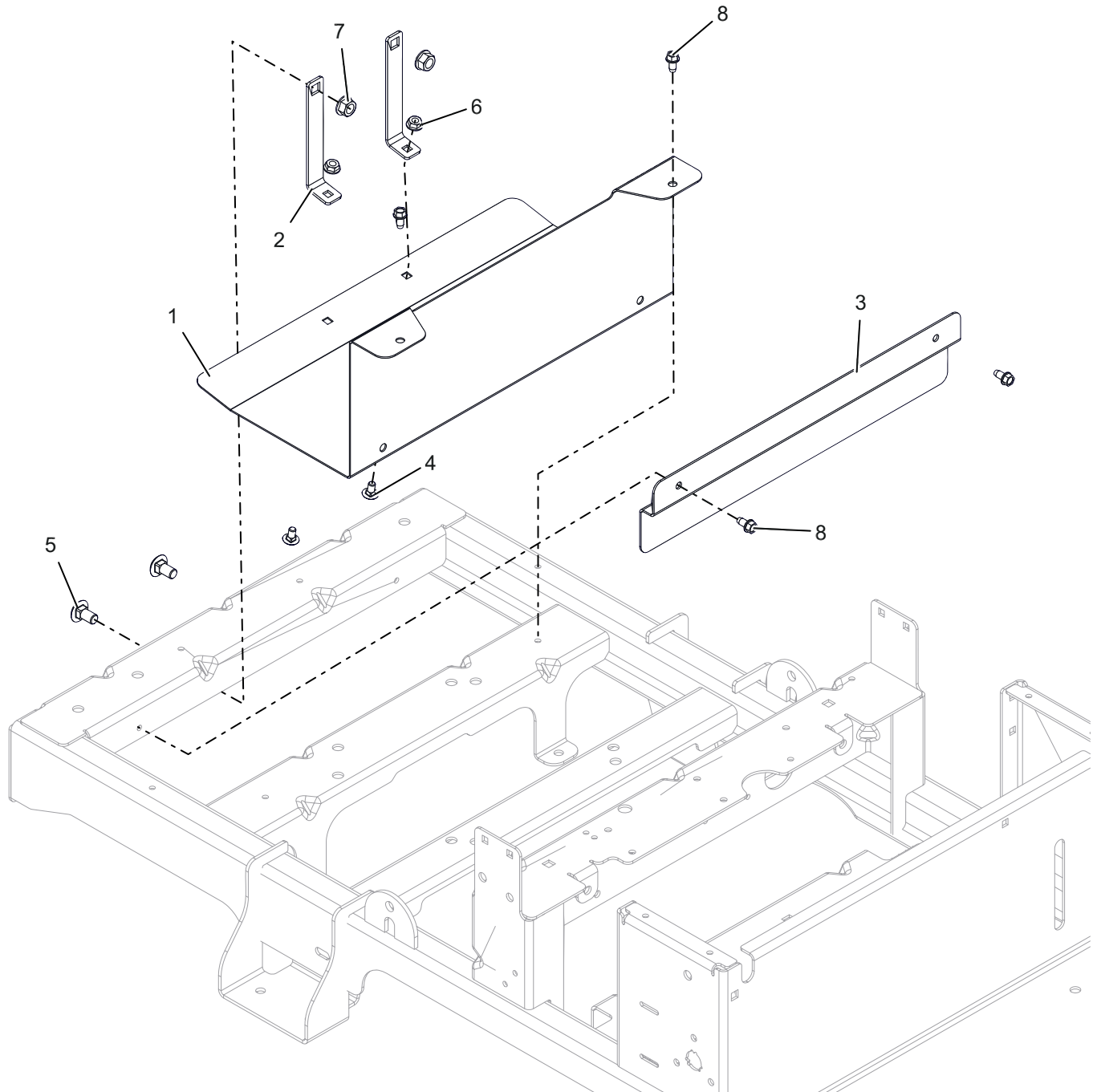


SERVICE PARTS:  
 (1) 21548000 - AIR FILTER  
 (1) 21548100 - OIL FILTER  
 (2) 21536100 - SPARK PLUG  
 (1) 21573800 - FUEL FILTER  
 (2) 00191627 - EXHAUST GASKET

BOM ID	Number	Qty	Description
1	07001731	1	HOSE, OIL DRAIN
2	07338600	1	WLDMT, CRANKSHAFT EXTENSION
3	08200631	1	ENGINE, KAWASAKI
4	03956700	1	BRKT, CLUTCH
5	03972700	1	CLUTCH, 105 FT*LB MONO POLE
6	03980200	1	SPCR, RUBBER 5/16 ID X 1.0 LG
7	05901805	1	BLT, HEX 0.3125-18X2 GR5 ZCC
8	05901808	4	BLT, HEX 0.375-16X1.25 GR5 ZCC NT
9	05901820	1	BLT, HEX 0.4375-20X4.5 G8 ZCC NT
10	06300121	1	WSHR,LK-REG 0.44 X 0.109 ZCC
11	06400927	4	WSHR, 3/8" SPRING DISC
12	06401111	1	WSHR-FL-STL 0.469X2X0.25 ZCC
13	06500815	1	NUT, FLG-SPNLK .312-18 GR5 ZC120
14	06500840	1	NUT, FLG-CTR LK .312-18 GR5 ZCC
15	06500901	1	NUT, FLG-CTR LK .375-16 GR5 ZC120
16	06500919	4	NUT, HEX-TOP LK M8-1.25 ZCC
17	06603400	1	KEY-SQ .250X.250X1.250
18	06916000	1	J-CLAMP
19	07001824	1	BLT, SERHFWH 0.375-16X0.75 GR5 ZCC
20	04749700	1	MUFFLER, KAWASAKI TWIN

# MUFFLER GUARDING

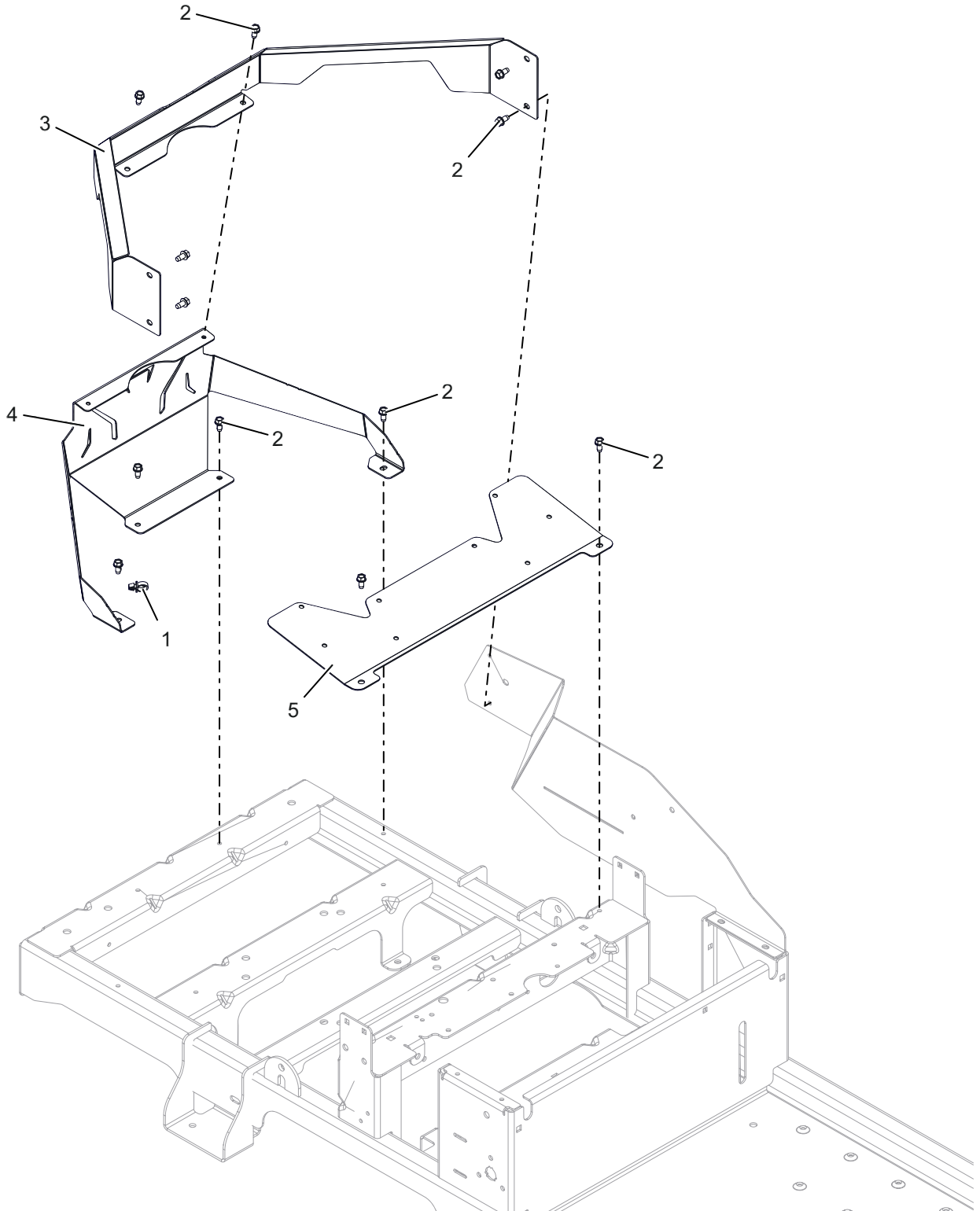
Model All



BOM ID	Number	Qty	Description
1	04739351	1	SHIELD, MUFFLER ZT
2	04739451	2	STRAP, MUFFLER (ZOOM)
3	05288351	1	GUARD, EXHAUST (BLACK)
4	06200306	2	BTL,RHSN .250-20 X 0.5 G5 ZCC
5	06200312	2	BTL,RHSN .375-16 X 0.75 G5 ZCC
6	06500821	2	NUT, FLG-CTR LK .250-20 GR5 ZC120
7	06500901	2	NUT, FLG-CTR LK .375-16 GR5 ZC120
8	07400122	4	SCR-TAP .25-20X.50 HWH ZCC

# ENGINE SHROUD

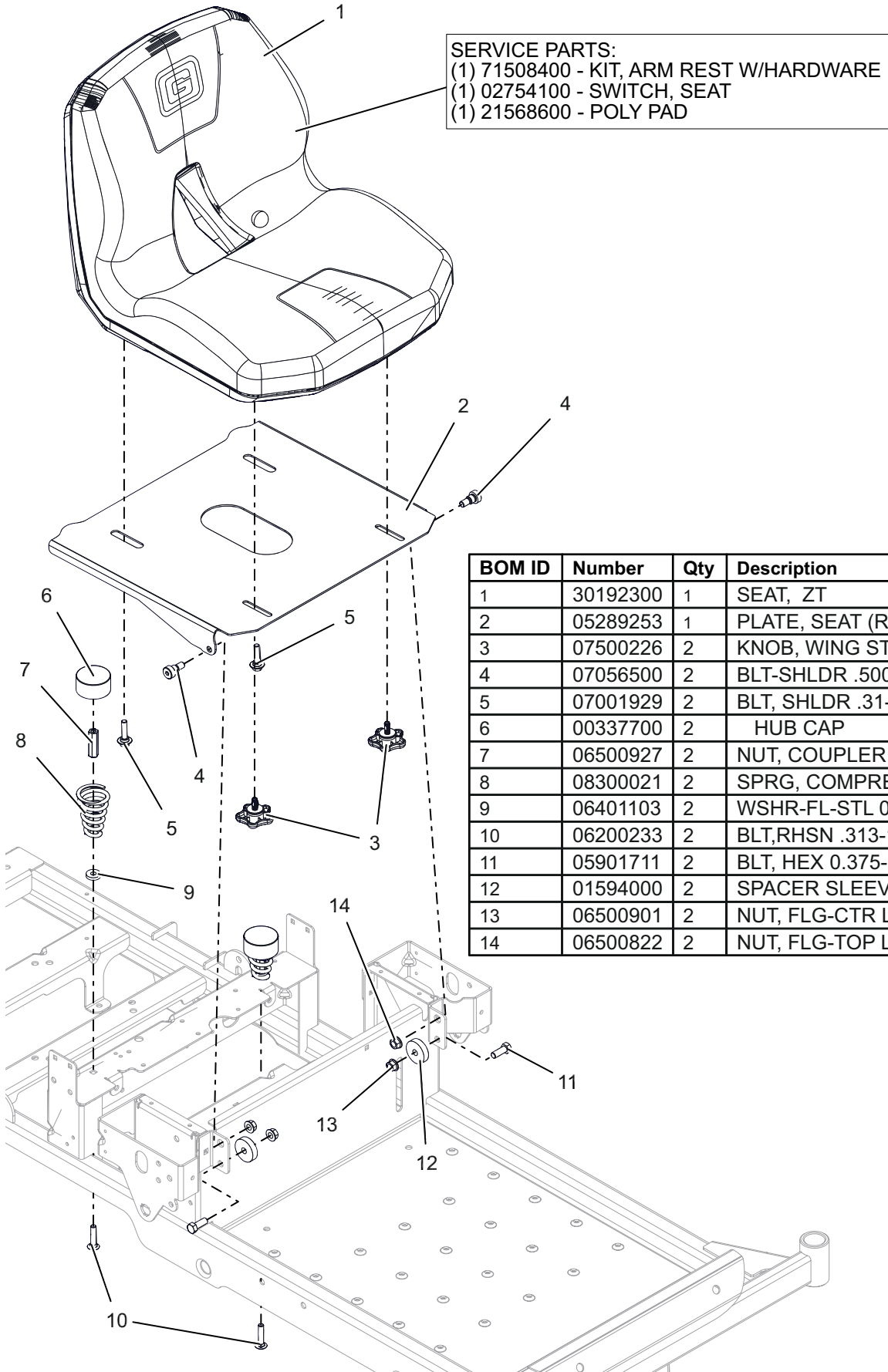
Model All



BOM ID	Number	Qty	Description
1	00367900	1	CLIP, ROUTING (.50 ID)
2	07400122	12	SCR-TAP .25-20X.50 HWH ZCC
3	30196453	1	WRAP, REAR -TOP,GRAVELY (RED)
4	30196551	1	WRAP, REAR ,GRAVELY ZT (BLACK)
5	51534500	1	PLATE, FAN W/DECAL

# SEAT AND SEAT SUPPORT

## Model All

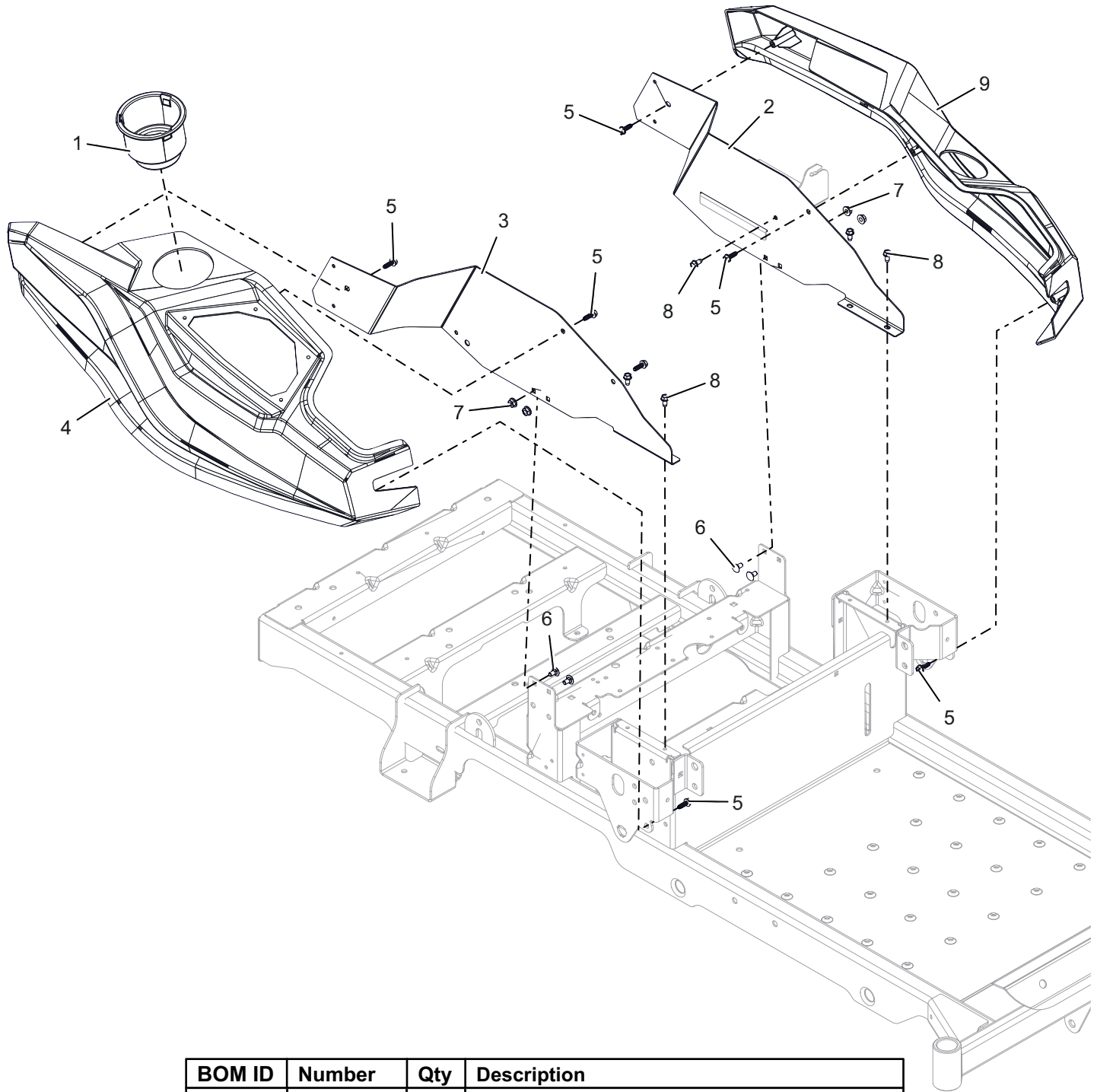


**SERVICE PARTS:**  
 (1) 71508400 - KIT, ARM REST W/HARDWARE  
 (1) 02754100 - SWITCH, SEAT  
 (1) 21568600 - POLY PAD

BOM ID	Number	Qty	Description
1	30192300	1	SEAT, ZT
2	05289253	1	PLATE, SEAT (RED)
3	07500226	2	KNOB, WING STUDDED
4	07056500	2	BLT-SHLDR .500X.375X.38-16
5	07001929	2	BLT, SHLDR .31-18 X .175 LP ZCC
6	00337700	2	HUB CAP
7	06500927	2	NUT, COUPLER 5/16-18 x 1.75
8	08300021	2	SPRG, COMPRESSION
9	06401103	2	WSHR-FL-STL 0.328X0.87X0.179 ZCC
10	06200233	2	BLT,RHSN .313-18 X 1.5 G5 ZCC
11	05901711	2	BLT, HEX 0.375-16X1 GR5 ZC120
12	01594000	2	SPACER SLEEVED .39X1.50X.380
13	06500901	2	NUT, FLG-CTR LK .375-16 GR5 ZC120
14	06500822	2	NUT, FLG-TOP LK .375-16 GRF ZC120

# FENDERS

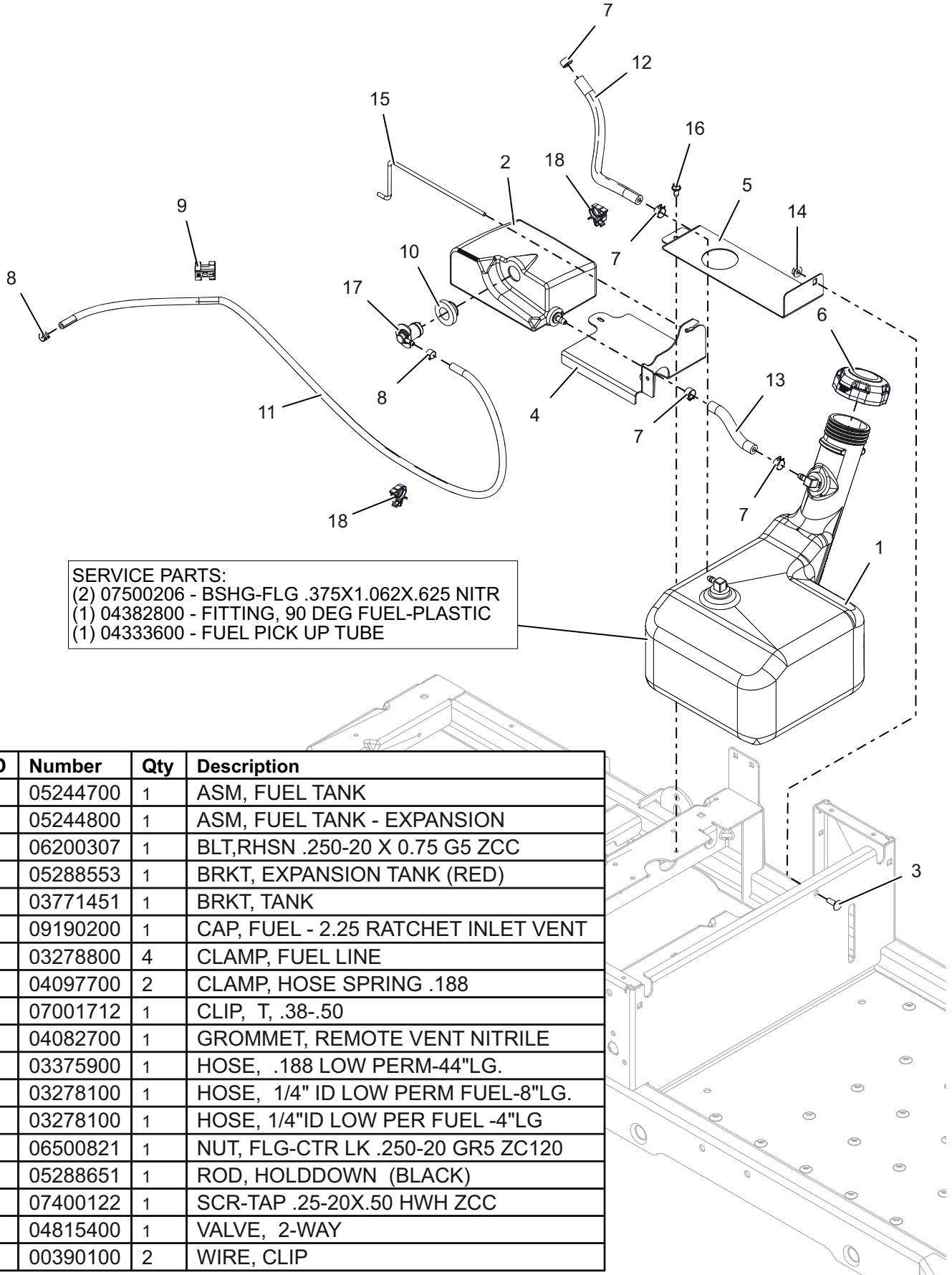
Model All



BOM ID	Number	Qty	Description
1	04192700	1	CUPHOLDER, SNAP-IN 3.75 OD
2	05287653	1	BRKT, FENDER MOUNTING LH (RED)
3	05287753	1	BRKT, FENDER MOUNTING RH (RED)
4	05289100	1	FENDER, RH
5	06100231	7	SCR, PLASTITE-HWH 0.25 X 0.75 ZC120
6	06200306	4	BLT,RHSN .250-20 X 0.5 G5 ZCC
7	06500821	4	NUT, FLG-CTR LK .250-20 GR5 ZC120
8	07400122	5	SCR-TAP .25-20X.50 HWH ZCC
9	51535600	1	KIT-FENDER WITH DECAL

# FUEL SYSTEM

Model All

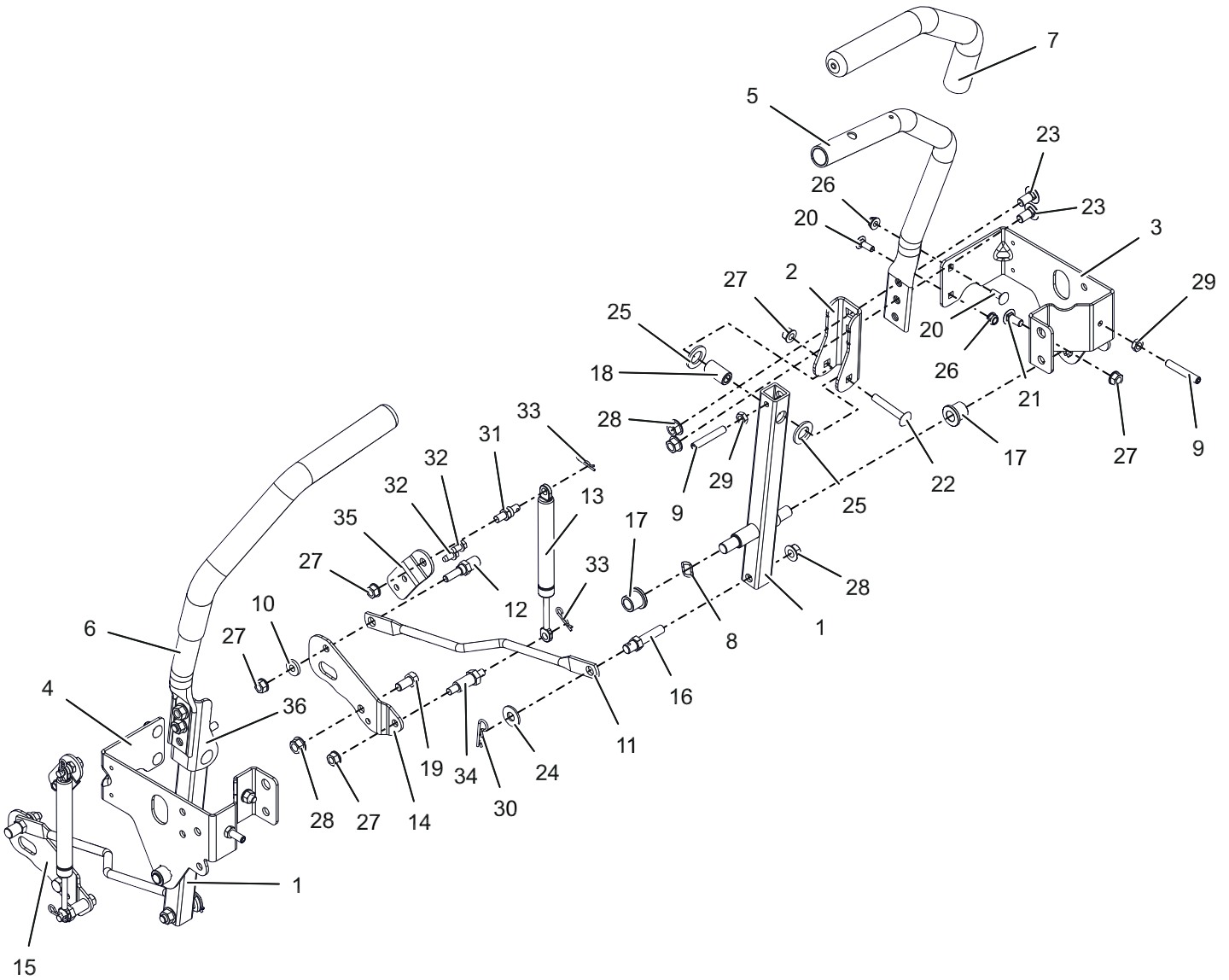


SERVICE PARTS:  
 (2) 07500206 - BSHG-FLG .375X1.062X.625 NITR  
 (1) 04382800 - FITTING, 90 DEG FUEL-PLASTIC  
 (1) 04333600 - FUEL PICK UP TUBE

BOM ID	Number	Qty	Description
1	05244700	1	ASM, FUEL TANK
2	05244800	1	ASM, FUEL TANK - EXPANSION
3	06200307	1	BLT,RHSN .250-20 X 0.75 G5 ZCC
4	05288553	1	BRKT, EXPANSION TANK (RED)
5	03771451	1	BRKT, TANK
6	09190200	1	CAP, FUEL - 2.25 RATCHET INLET VENT
7	03278800	4	CLAMP, FUEL LINE
8	04097700	2	CLAMP, HOSE SPRING .188
9	07001712	1	CLIP, T, .38-.50
10	04082700	1	GROMMET, REMOTE VENT NITRILE
11	03375900	1	HOSE, .188 LOW PERM-44"LG.
12	03278100	1	HOSE, 1/4" ID LOW PERM FUEL-8"LG.
13	03278100	1	HOSE, 1/4"ID LOW PER FUEL -4"LG
14	06500821	1	NUT, FLG-CTR LK .250-20 GR5 ZC120
15	05288651	1	ROD, HOLDDOWN (BLACK)
16	07400122	1	SCR-TAP .25-20X.50 HWH ZCC
17	04815400	1	VALVE, 2-WAY
18	00390100	2	WIRE, CLIP

# STEERING CONTROLS

## Model All

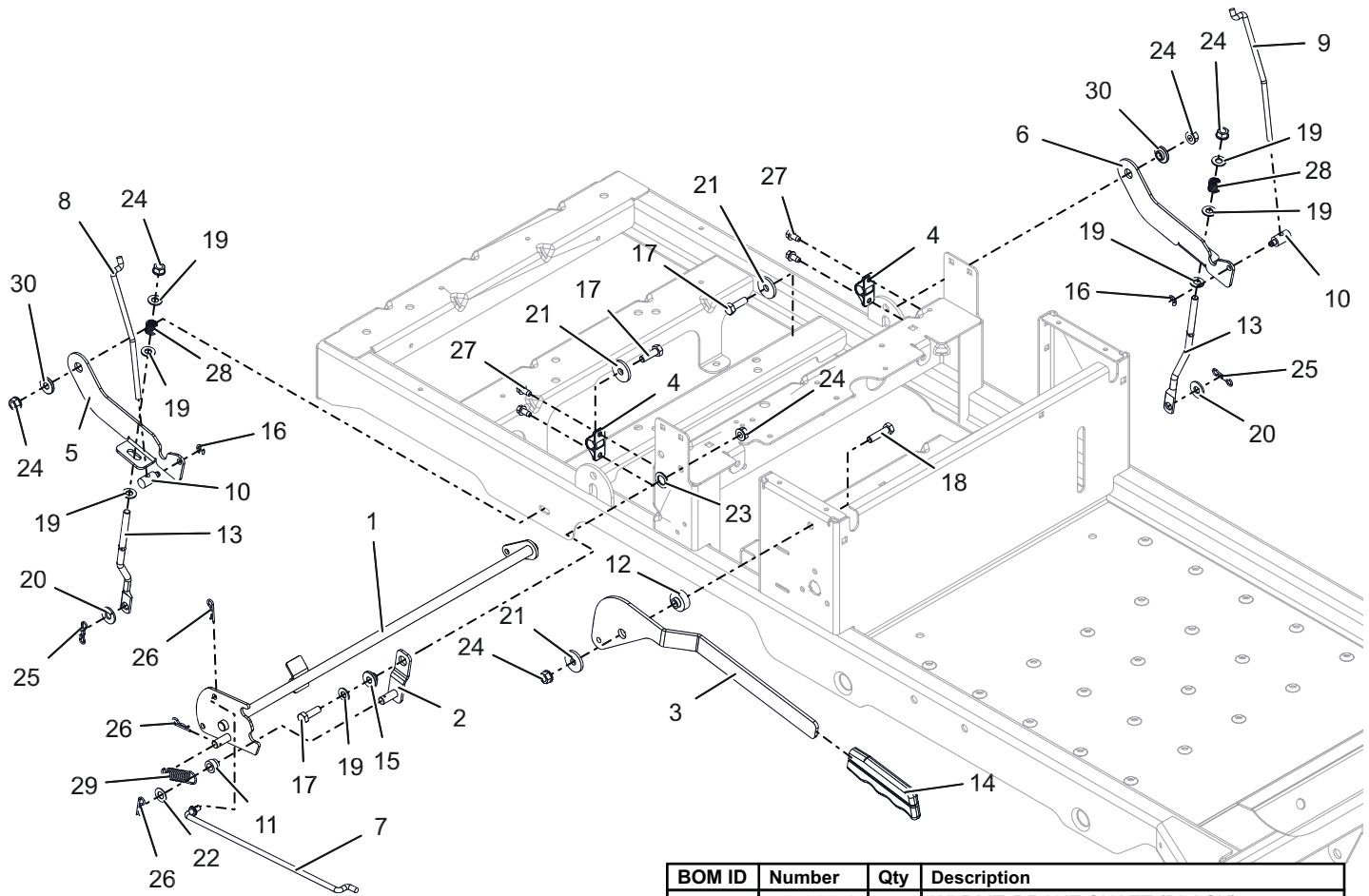


BOM ID	Number	Qty	Description
1	05286851	2	WLDMT, LOWER CONTROL ARM (BLACK)
2	05281900	1	ARM, CONTROL -UPPER
3	05288151	1	BRKT, SPEED ADJ/SEAT PIVOT-LH (BLACK)
4	05288251	1	BRKT, SPEED ADJ/SEAT PIVOT-RH (BLACK)
5	09161651	1	WLDMT, CONTROL HANDLE -LH (BLACK)
6	09161751	1	WLDMT, CONTROL HANDLE - RH (BLACK)
7	04257400	2	GRIP, HANDLEBAR 15" FOAM
8	00325400	2	WAVE WASHER .531X.781X.125 FH
9	06100301	4	SCR-SET, .312-18X2.000 SS
10	04147200	2	BUSHING FLANGED .316X.430X.225X.750
11	05282400	2	LINKAGE, STEERING
12	05282500	2	STUD, STEERING LINK-REAR
13	05160400	2	DAMPER, STRAIGHT MOUNT
14	03759351	1	PLATE, DAMPER
15	03766000	1	PLATE, DAMPER
16	05288400	2	STUD, STEERING LINK -FRONT
17	05501001	4	BUSHING FLANGE
18	05501411	2	BSHG, -SLV .342 X .627 X 1.171
19	05901702	2	BLT, HEX 0.375-16X0.75 GR5 ZC120

BOM ID	Number	Qty	Description
20	06200307	4	BTL,RHSSN .250-20 X 0.75 G5 ZCC
21	06200309	2	BTL,RHSSN .313-18 X 0.75 G5 ZCC
22	06200431	2	BTL,RHSSN .313-18 X 2 G5 ZCC
23	06200432	4	BTL,RHSSN .375-16 X 0.75 G5 FPB
24	06401008	2	WSHR-FL-STL 0.438X1X0.083 ZC120
25	06401130	4	WSHR, FRICTION
26	06500813	4	NUT, LK-NYL-FLG .25-20 GR5 ZC120
27	06500840	10	NUT, FLG-CTR LK .312-18 GR5 ZCC
28	06500901	8	NUT, FLG-CTR LK .375-16 GR5 ZC120
29	06500909	4	NUT, JAM .312-18 GR5 ZCC
30	06700219	2	PIN, HAIR .09 X 1.50 ZCC
31	05171400	2	COUPLER, DAMPER MOUNT
32	07400122	4	SCR-TAP .25-20X.50 HWH ZCC
33	06700222	4	PIN, HAIR #213 .08X1.19 ZCC
34	09157100	2	COUPLER, DAMPER MOUNT (LOWER)
35	09155951	2	PLATE, DAMPER TOP MOUNTING (BLACK)
36	05281951	1	ARM, CONTROL -UPPER (BLACK)

# PARKING BRAKE

## Model All

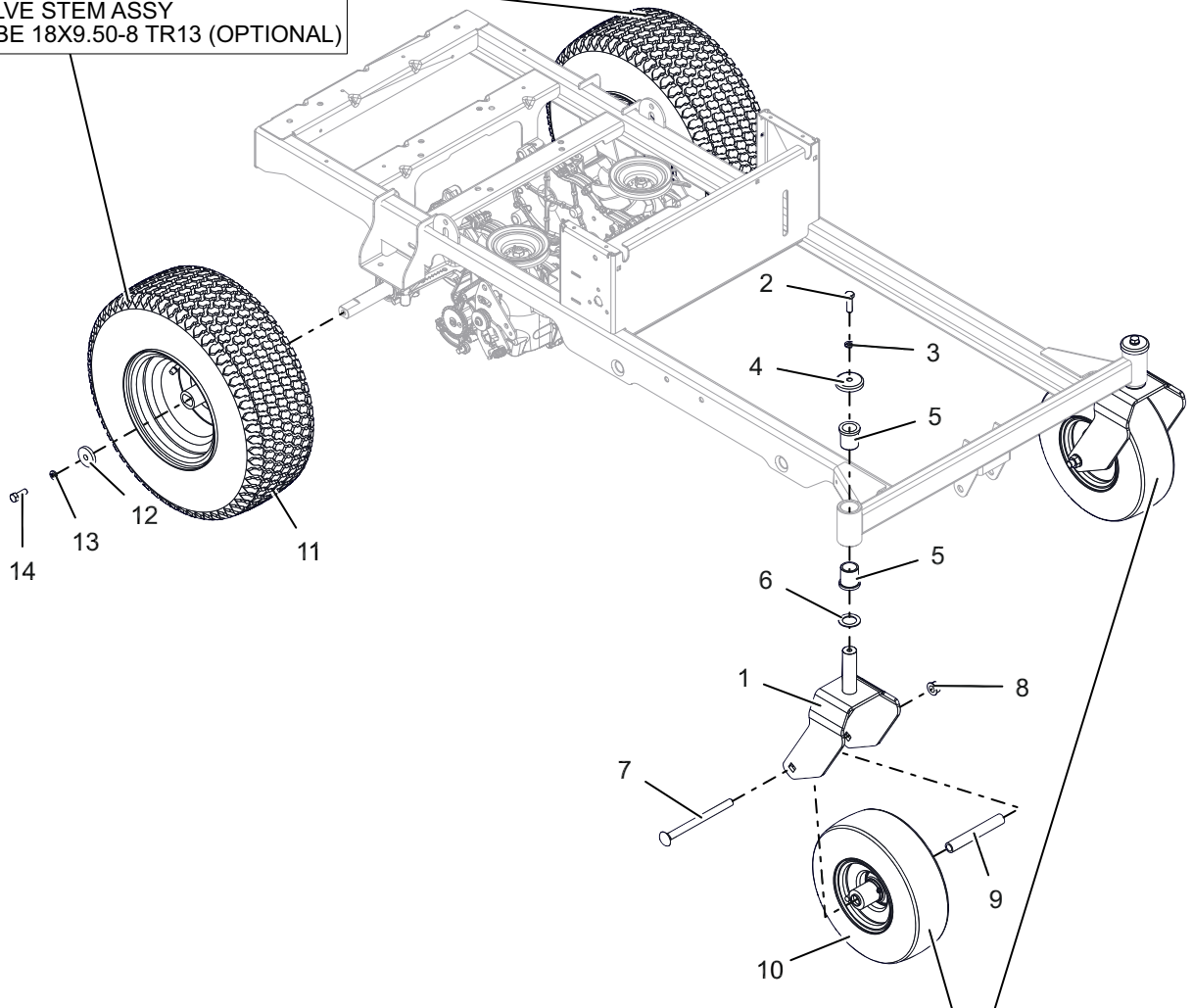


BOM ID	Number	Qty	Description
1	03761151	1	WLDMT, BRAKE SHAFT (BLACK)
2	03759200	1	WLDMT, DETENT ARM
3	03759151	1	HANDLE, PARKING BRAKE (BLACK)
4	03757501	2	BSHG, .50 CLAMP BLOCK MOLDED
5	03758900	1	LATCH, RH
6	03759000	1	LATCH, LH
7	03759400	1	LINK, BRAKE HANDLE
8	03759500	1	LINK, NEUTRAL RH
9	03823300	1	LINK, NEUTRAL LH
10	03764800	2	TRUNNION, 1/4-20
11	03764900	1	ROLLER
12	03769400	1	SPACER FLANGED .32 X .49 X .192 X 1.00
13	03759600	2	LINK, BRAKE
14	05097200	1	GRIP, PARKING BRAKE, GREY
15	05514800	1	BSHG FLANGE
16	05700125	2	RING, RETAINING-E .25X.025
17	05901701	3	BLT, HEX 0.3125-18X1 GR5 ZC120
18	05901803	1	BLT, HEX 0.3125-18X1.25 GR5 ZCC
19	06401017	7	WSHR-FL-STL 0.344X0.688X0.065 ZC120
20	06401023	2	WSHR-FL-STL 0.375X0.875X0.083 ZC120
21	06401104	3	WSHR-FL-STL 0.34X1.125X0.135 ZCC
22	06401107	1	WSHR-FL-STL 0.385X0.745X0.03 ZCC
23	06401114	1	WSHR-FL-STL 0.52X0.827X0.062 ZCC
24	06500840	6	NUT, FLG-CTR LK .312-18 GR5 ZCC
25	06700229	2	PIN, BOWTIE #72 ZCC
26	06700222	3	PIN, HAIR #213 .08X1.19 ZCC
27	07400122	4	SCR-TAP .25-20X.50 HWH ZCC
28	08300028	2	SPRG, COMPRESSION
29	08326700	1	SPRG, EXTENSION
30	01305900	2	SPACER FLANGED

# FRONT AND REAR WHEELS – 34"

Model 915288

SERVICE PARTS:  
 (1) 07100716 - TIRE, 18X6.50-8  
 (1) 07520000 - VALVE STEM ASSY  
 (1) 07108800 - TUBE 18X9.50-8 TR13 (OPTIONAL)



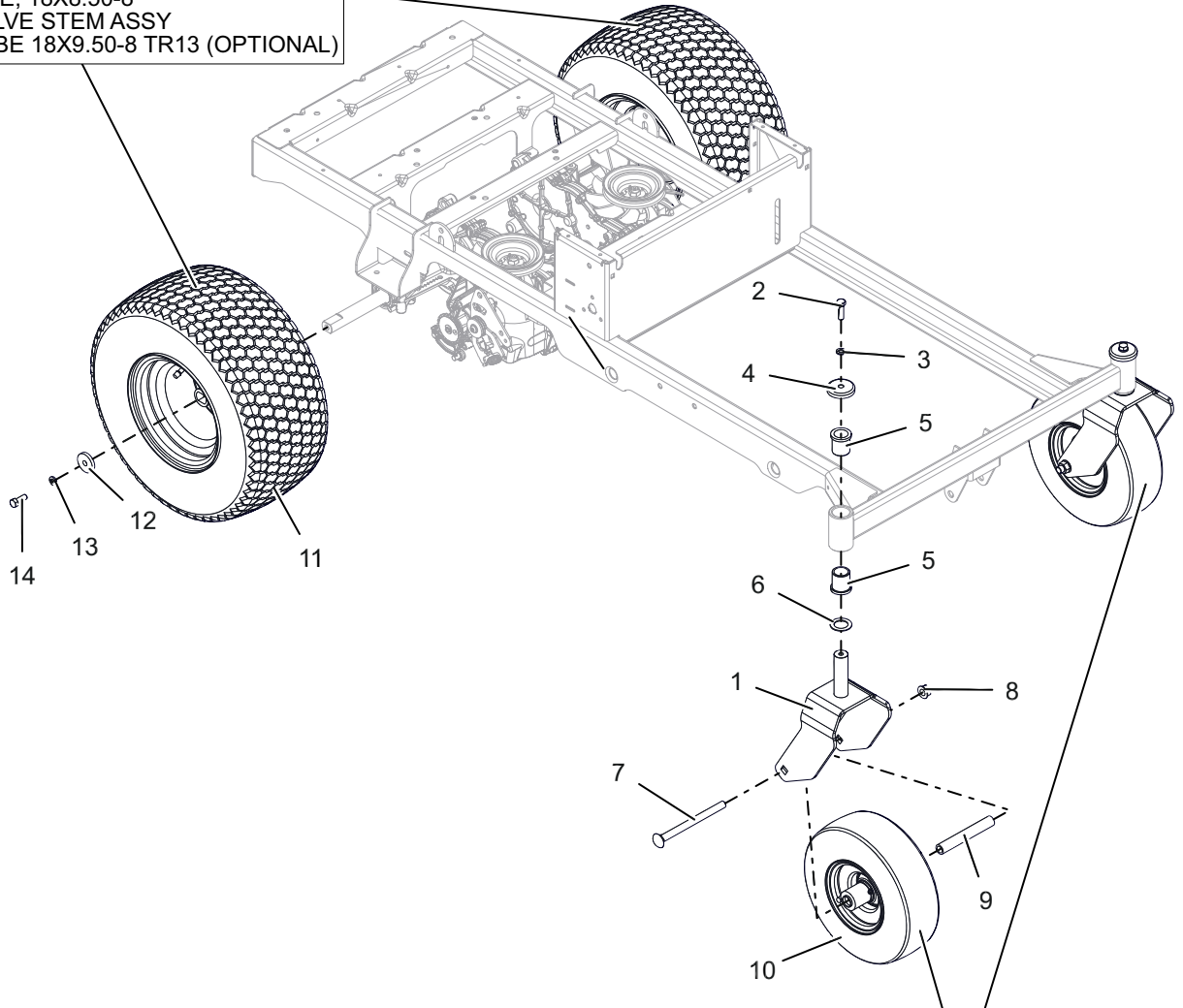
SERVICE PARTS:  
 (2) 05400726 - BRG, .75 ID X 1.375 OD  
 (1) 07101235 - TIRE, 11X4.00-5 TURF TREAD  
 (1) 07520000 - VALVE STEM ASSY  
 (1) 07108600 - TUBE 11X4.00-5 TR87 (OPTIONAL)

BOM ID	Number	Qty	Description
1	09695153	2	WLDMT, CASTER FORK (RED)
2	05902203	2	BLT, HEX 0.375-16X1.25 GR5 ZB500
3	06300130	2	WSHR,LK-REG 0.377 X 0.094 ZB500
4	30146400	2	SHIELD, AXLE BEARING BLK
5	05500934	4	BSHG, FLANGE 1.00X1.25X1.50X1.50
6	06416600	2	WSHR, HRD THRS 1.007X1.542X.062
7	06200319	2	BLT,RHSN .500-13 X 6.5 G5 ZCC
8	06500902	2	NUT, FLG-CTR LK .500-13 GF ZCC
9	00278500	2	SPCR, ROLLED WHEEL
10	07101519	2	ASM, WHL/TIRE 11X4.00-5 LG BLK
11	07101516	2	ASM, WHL/TIRE 18X6.50-8 LG BLK
12	06401110	2	WSHR-FL-STL 0.406X1.5X0.245 ZCC
13	06300116	2	WSHR,LK-REG 0.377 X 0.094 ZCC
14	05901721	2	BLT, HEX 0.375-16X1 GR5 EP30 ZC120

# FRONT AND REAR WHEELS – 42"

Model 915289

SERVICE PARTS:  
 (1) 07101220 - TIRE, 18X8.50-8  
 (1) 07520000 - VALVE STEM ASSY  
 (1) 07108800 - TUBE 18X9.50-8 TR13 (OPTIONAL)



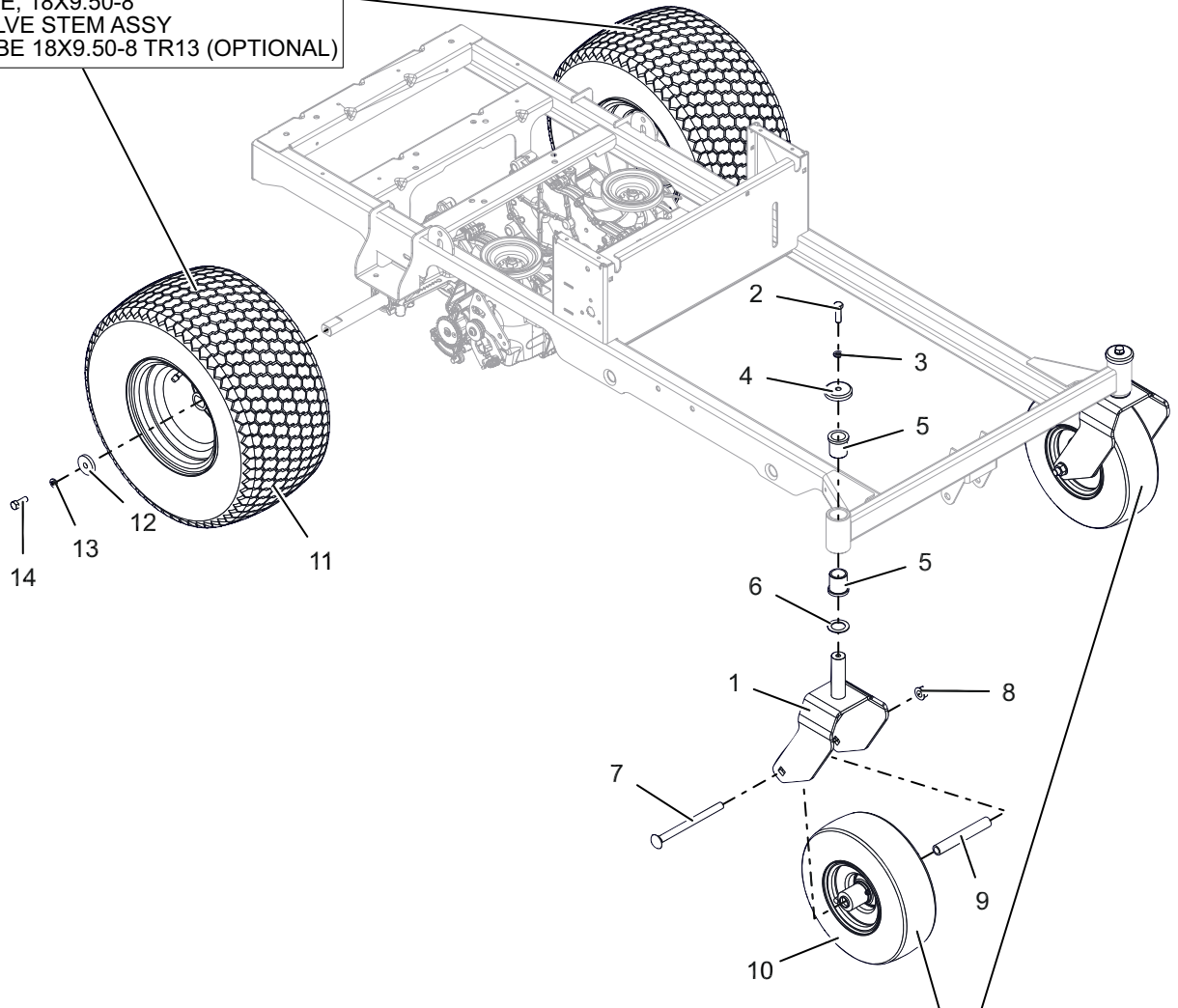
SERVICE PARTS:  
 (2) 05400726 - BRG, .75 ID X 1.375 OD  
 (1) 07101235 - TIRE, 11X4.00-5 TURF TREAD  
 (1) 07520000 - VALVE STEM ASSY  
 (1) 07108600 - TUBE 11X4.00-5 TR87 (OPTIONAL)

BOM ID	Number	Qty	Description
1	09695153	2	WLDMT, CASTER FORK (RED)
2	05902203	2	BLT, HEX 0.375-16X1.25 GR5 ZB500
3	06300130	2	WSHR,LK-REG 0.377 X 0.094 ZB500
4	30146400	2	SHIELD, AXLE BEARING BLK
5	05500934	4	BSHG, FLANGE 1.00X1.25X1.50X1.50
6	06416600	2	WSHR, HRD THRS 1.007X1.542X.062
7	06200319	2	BLT,RHSN .500-13 X 6.5 G5 ZCC
8	06500902	2	NUT, FLG-CTR LK .500-13 GF ZCC
9	00278500	2	SPCR, ROLLED WHEEL
10	07101519	2	ASM, WHL/TIRE 11X4.00-5 LG BLK
11	07101517	2	ASM, WHL/TIRE 18X8.50-8 LG BLK
12	06401110	2	WSHR-FL-STL 0.406X1.5X0.245 ZCC
13	06300116	2	WSHR,LK-REG 0.377 X 0.094 ZCC
14	05901721	2	BLT, HEX 0.375-16X1 GR5 EP30 ZC120

# FRONT AND REAR WHEELS – 52"

## Model 915290

SERVICE PARTS:  
 (1) 07101325 - TIRE, 18X9.50-8  
 (1) 07520000 - VALVE STEM ASSY  
 (1) 07108800 - TUBE 18X9.50-8 TR13 (OPTIONAL)



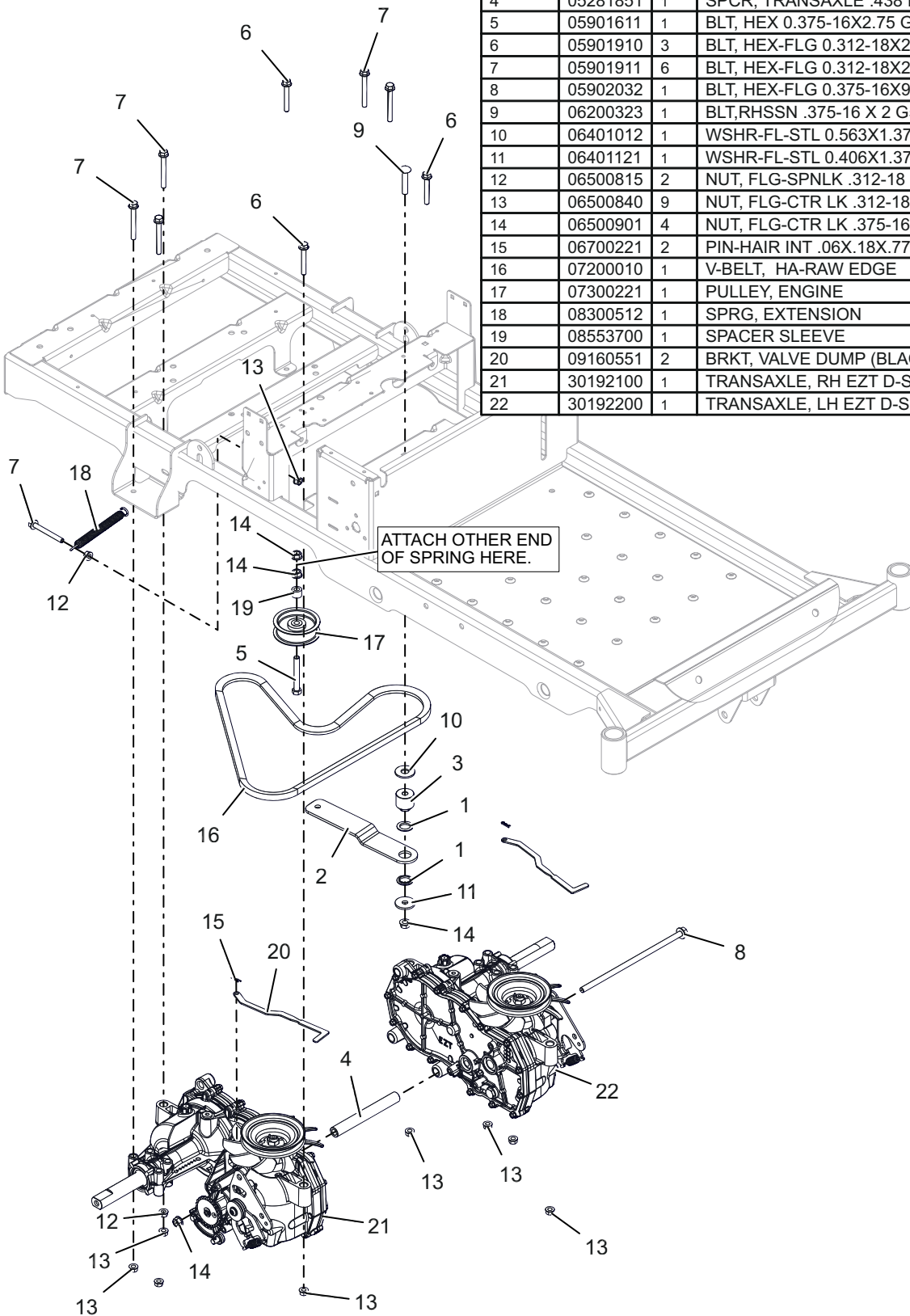
SERVICE PARTS:  
 (2) 05400726 - BRG, .75 ID X 1.375 OD  
 (1) 07101235 - TIRE, 11X4.00-5 TURF TREAD  
 (1) 07520000 - VALVE STEM ASSY  
 (1) 07108600 - TUBE 11X4.00-5 TR87 (OPTIONAL)

BOM ID	Number	Qty	Description
1	09695153	2	WLDMT, CASTER FORK (RED)
2	05902203	2	BLT, HEX 0.375-16X1.25 GR5 ZB500
3	06300130	2	WSHR,LK-REG 0.377 X 0.094 ZB500
4	30146400	2	SHIELD, AXLE BEARING BLK
5	05500934	4	BSHG, FLANGE 1.00X1.25X1.50X1.50
6	06416600	2	WSHR, HRD THRS 1.007X1.542X.062
7	06200319	2	BLT,RHSN .500-13 X 6.5 G5 ZCC
8	06500902	2	NUT, FLG-CTR LK .500-13 GF ZCC
9	00278500	2	SPCR, ROLLED WHEEL
10	07101519	2	ASM, WHL/TIRE 11X4.00-5 LG BLK
11	07101518	2	ASM, WHL/TIRE 18X9.50-8 LG BLK
12	06401110	2	WSHR-FL-STL 0.406X1.5X0.245 ZCC
13	06300116	2	WSHR,LK-REG 0.377 X 0.094 ZCC
14	05901721	2	BLT, HEX 0.375-16X1 GR5 EP30 ZC120

# TRANSAXLES AND IDLER PULLEY – 34"

## Model 915288

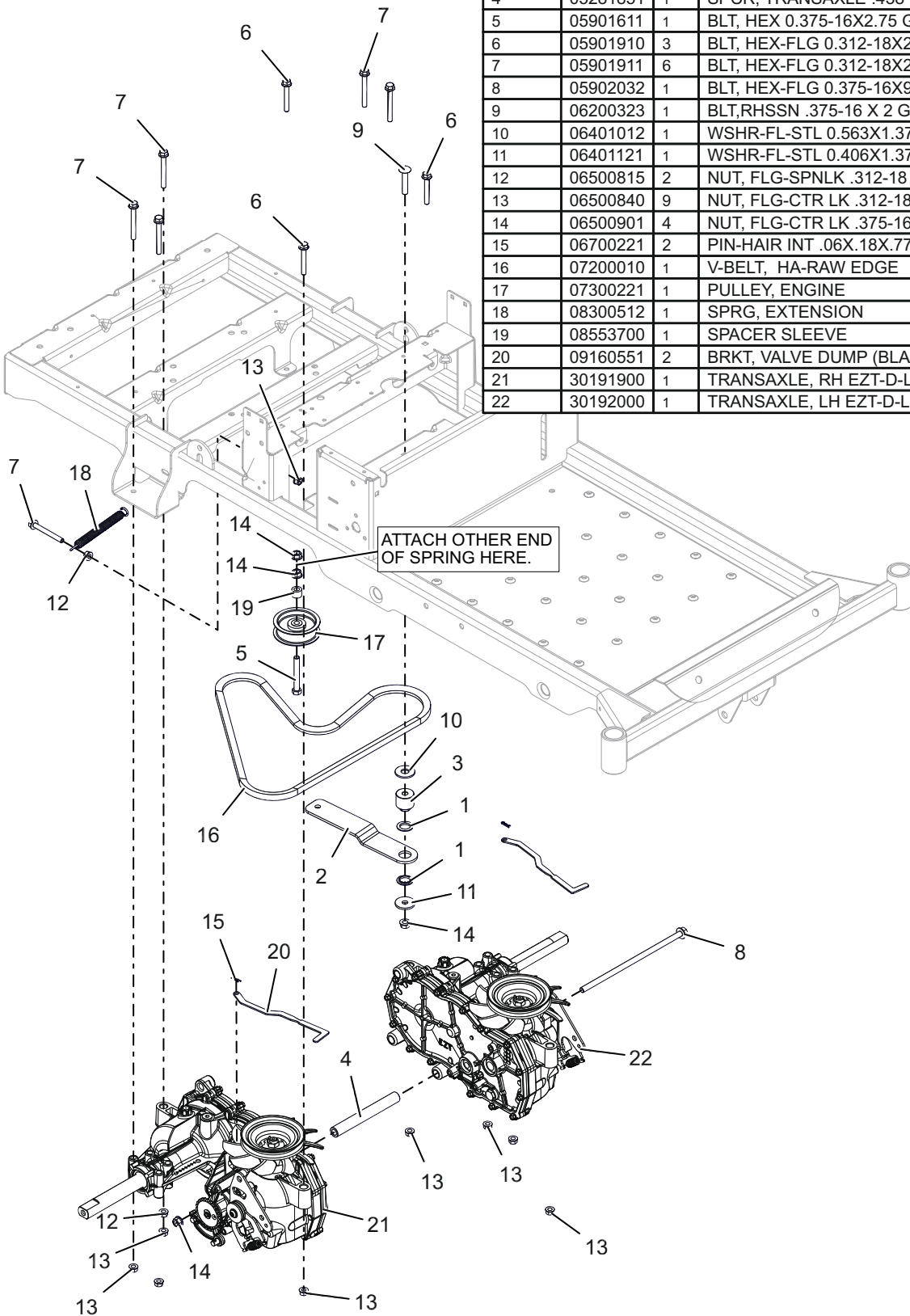
BOM ID	Number	Qty	Description
1	03960700	2	BSHG, IDLER ARM
2	03961000	1	ARM, IDLER GROUND DRIVE
3	03961100	1	BUSHING FLANGED DRIVE IDLER
4	05281851	1	SPCR, TRANSAXLE .438 ID X .750 OD X 6.125 (BLACK)
5	05901611	1	BLT, HEX 0.375-16X2.75 GR5 ZC120
6	05901910	3	BLT, HEX-FLG 0.312-18X2.25 GR5 ZCC
7	05901911	6	BLT, HEX-FLG 0.312-18X2.75 GR5 ZCC
8	05902032	1	BLT, HEX-FLG 0.375-16X9.75 GR5 ZC120
9	06200323	1	BLT,RHSSN .375-16 X 2 G5 ZCC
10	06401012	1	WSHR-FL-STL 0.563X1.375X0.109 ZC120
11	06401121	1	WSHR-FL-STL 0.406X1.375X0.135 ZCC
12	06500815	2	NUT, FLG-SPNLK .312-18 GR5 ZC120
13	06500840	9	NUT, FLG-CTR LK .312-18 GR5 ZCC
14	06500901	4	NUT, FLG-CTR LK .375-16 GR5 ZC120
15	06700221	2	PIN-HAIR INT .06X.18X.77
16	07200010	1	V-BELT, HA-RAW EDGE
17	07300221	1	PULLEY, ENGINE
18	08300512	1	SPRG, EXTENSION
19	08553700	1	SPACER SLEEVE
20	09160551	2	BRKT, VALVE DUMP (BLACK)
21	30192100	1	TRANSAXLE, RH EZT D-SHORT SERV
22	30192200	1	TRANSAXLE, LH EZT D-SHORT SERV



# TRANSAXLES AND IDLER PULLEY – 42" AND 52"

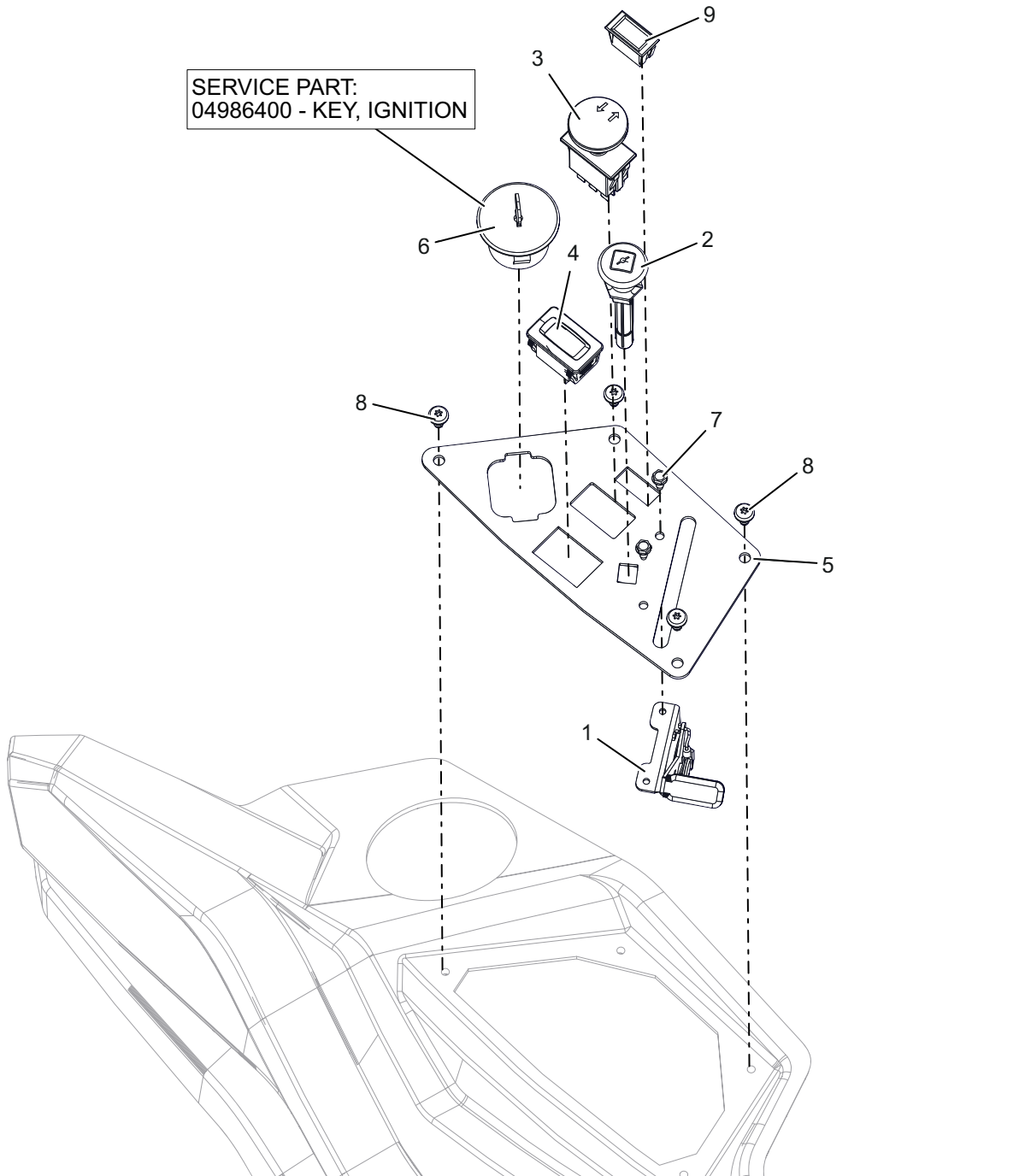
## Model 915289, 290

BOM ID	Number	Qty	Description
1	03960700	2	BSHG, IDLER ARM
2	03961000	1	ARM, IDLER GROUND DRIVE
3	03961100	1	BUSHING FLANGED DRIVE IDLER
4	05281851	1	SPCR, TRANSAXLE .438 ID X .750 OD X 6.125 (BLACK)
5	05901611	1	BLT, HEX 0.375-16X2.75 GR5 ZC120
6	05901910	3	BLT, HEX-FLG 0.312-18X2.25 GR5 ZCC
7	05901911	6	BLT, HEX-FLG 0.312-18X2.75 GR5 ZCC
8	05902032	1	BLT, HEX-FLG 0.375-16X9.75 GR5 ZC120
9	06200323	1	BLT,RHSSN .375-16 X 2 G5 ZCC
10	06401012	1	WSHR-FL-STL 0.563X1.375X0.109 ZC120
11	06401121	1	WSHR-FL-STL 0.406X1.375X0.135 ZCC
12	06500815	2	NUT, FLG-SPNLK .312-18 GR5 ZC120
13	06500840	9	NUT, FLG-CTR LK .312-18 GR5 ZCC
14	06500901	4	NUT, FLG-CTR LK .375-16 GR5 ZC120
15	06700221	2	PIN-HAIR INT .06X.18X.77
16	07200010	1	V-BELT, HA-RAW EDGE
17	07300221	1	PULLEY, ENGINE
18	08300512	1	SPRG, EXTENSION
19	08553700	1	SPACER SLEEVE
20	09160551	2	BRKT, VALVE DUMP (BLACK)
21	30191900	1	TRANSAXLE, RH EZT-D-LONG SERV
22	30192000	1	TRANSAXLE, LH EZT-D-LONG SERV



# CONTROL PANEL

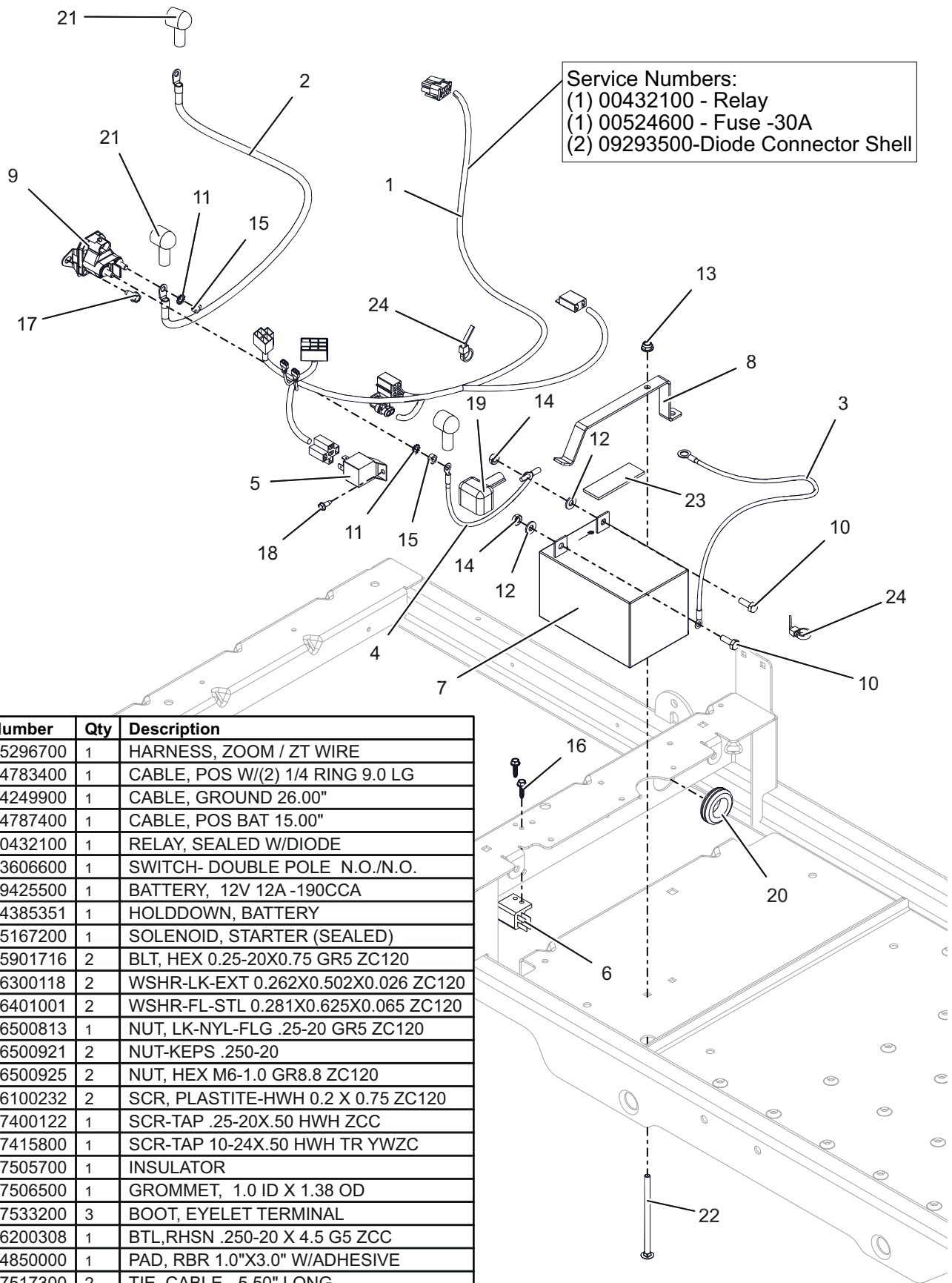
Model All



BOM ID	Number	Qty	Description
1	06900416	1	CABLE, THROTTLE
2	06900408	1	CABLE, CHOKE (SNAP IN)
3	04399600	1	SWITCH, CLUTCH YELLOW(W/GRAPHIC)
4	05254800	1	HOUR METER
5	05288053	1	PANEL, CONTROL (RED)
6	03290500	1	KEY, SWITCH IGNITION 3 POS W/KEY
7	07400130	2	SCR-TAP #10-24X.50 HWH ZCC
8	07400123	4	SCR-TAP .25-15X.50 PLASTITE BLZC
9	09003300	1	SWITCH, BLANK

# ELECTRICAL

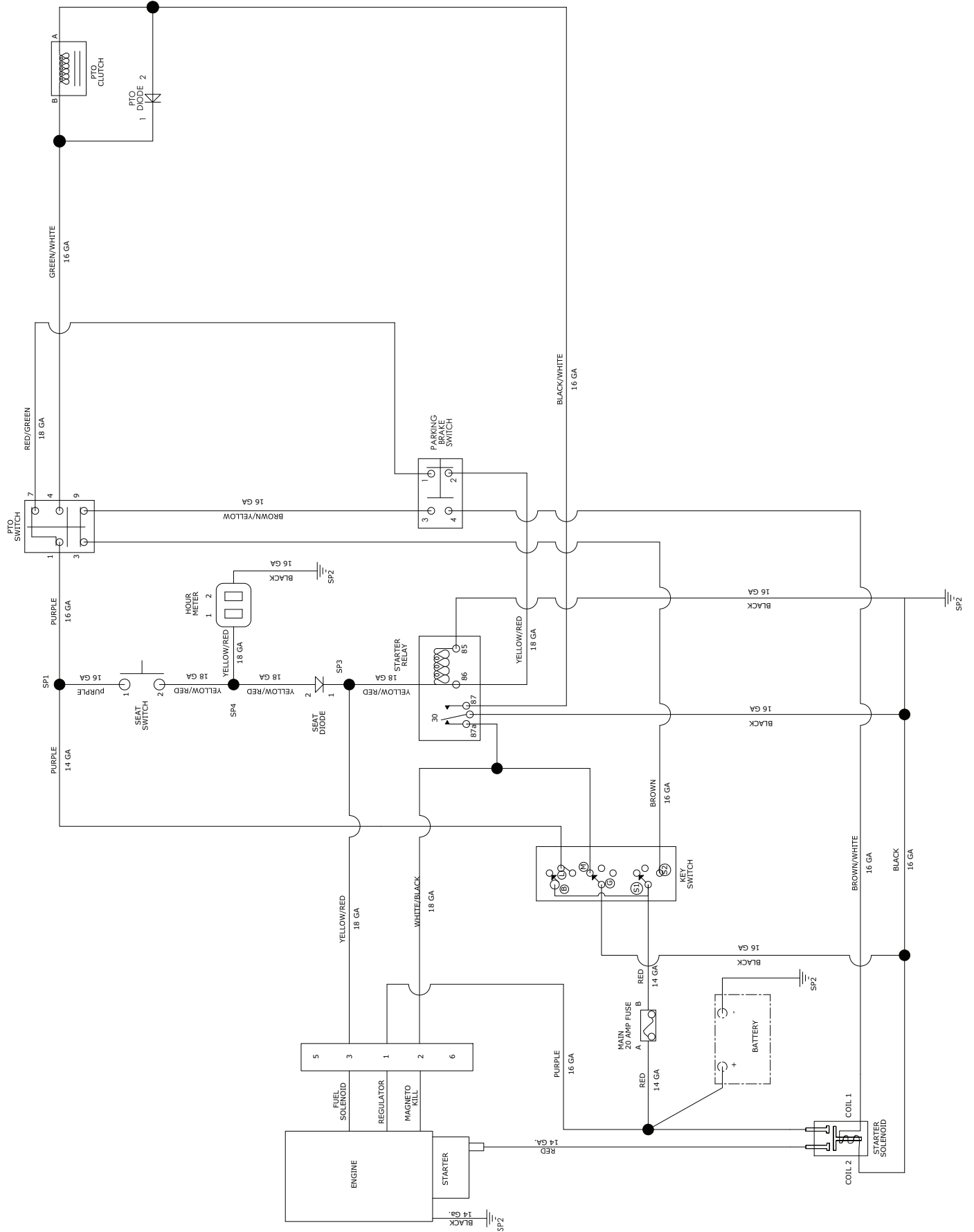
## Model All



BOM ID	Number	Qty	Description
1	05296700	1	HARNESS, ZOOM / ZT WIRE
2	04783400	1	CABLE, POS W/(2) 1/4 RING 9.0 LG
3	04249900	1	CABLE, GROUND 26.00"
4	04787400	1	CABLE, POS BAT 15.00"
5	00432100	1	RELAY, SEALED W/DIODE
6	03606600	1	SWITCH- DOUBLE POLE N.O./N.O.
7	09425500	1	BATTERY, 12V 12A -190CCA
8	04385351	1	HOLDDOWN, BATTERY
9	05167200	1	SOLENOID, STARTER (SEALED)
10	05901716	2	BLT, HEX 0.25-20X0.75 GR5 ZC120
11	06300118	2	WSHR-LK-EXT 0.262X0.502X0.026 ZC120
12	06401001	2	WSHR-FL-STL 0.281X0.625X0.065 ZC120
13	06500813	1	NUT, LK-NYL-FLG .25-20 GR5 ZC120
14	06500921	2	NUT-KEPS .250-20
15	06500925	2	NUT, HEX M6-1.0 GR8.8 ZC120
16	06100232	2	SCR, PLASTITE-HWH 0.2 X 0.75 ZC120
17	07400122	1	SCR-TAP .25-20X.50 HWH ZCC
18	07415800	1	SCR-TAP 10-24X.50 HWH TR YWZC
19	07505700	1	INSULATOR
20	07506500	1	GROMMET, 1.0 ID X 1.38 OD
21	07533200	3	BOOT, EYELET TERMINAL
22	06200308	1	BTL,RHSN .250-20 X 4.5 G5 ZCC
23	04850000	1	PAD, RBR 1.0"X3.0" W/ADHESIVE
24	07517300	2	TIE, CABLE - 5.50" LONG

# WIRING DIAGRAM

## Model All



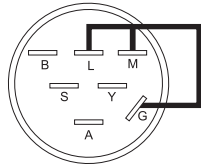
# CONTINUITY DIAGRAM

## Model All

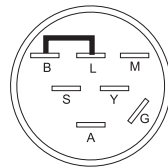
The diagrams below show the various states of connection for electrical components.  
The solid lines on switches show continuity.  
NOTE: All switches are viewed from the rear.

### Key Switch

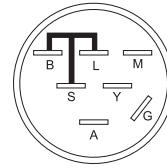
(03290500)



OFF



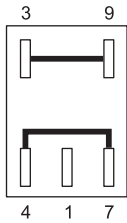
RUN



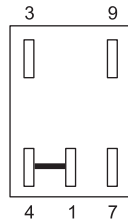
START

### PTO Switch

(04399600)



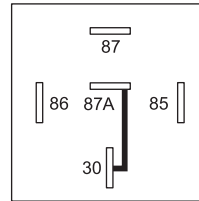
DISENGAGED  
(down position)



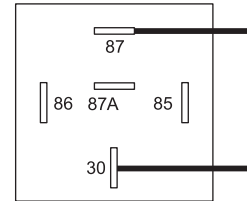
ENGAGED  
(up position)

### Relay

(00432100)



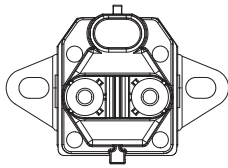
NOT ENERGIZED



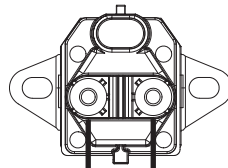
ENERGIZED

### Solenoid

(05167200)



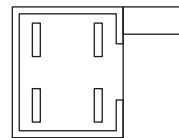
NOT ENERGIZED



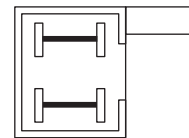
ENERGIZED

### Park Brake Switch

(03606600)



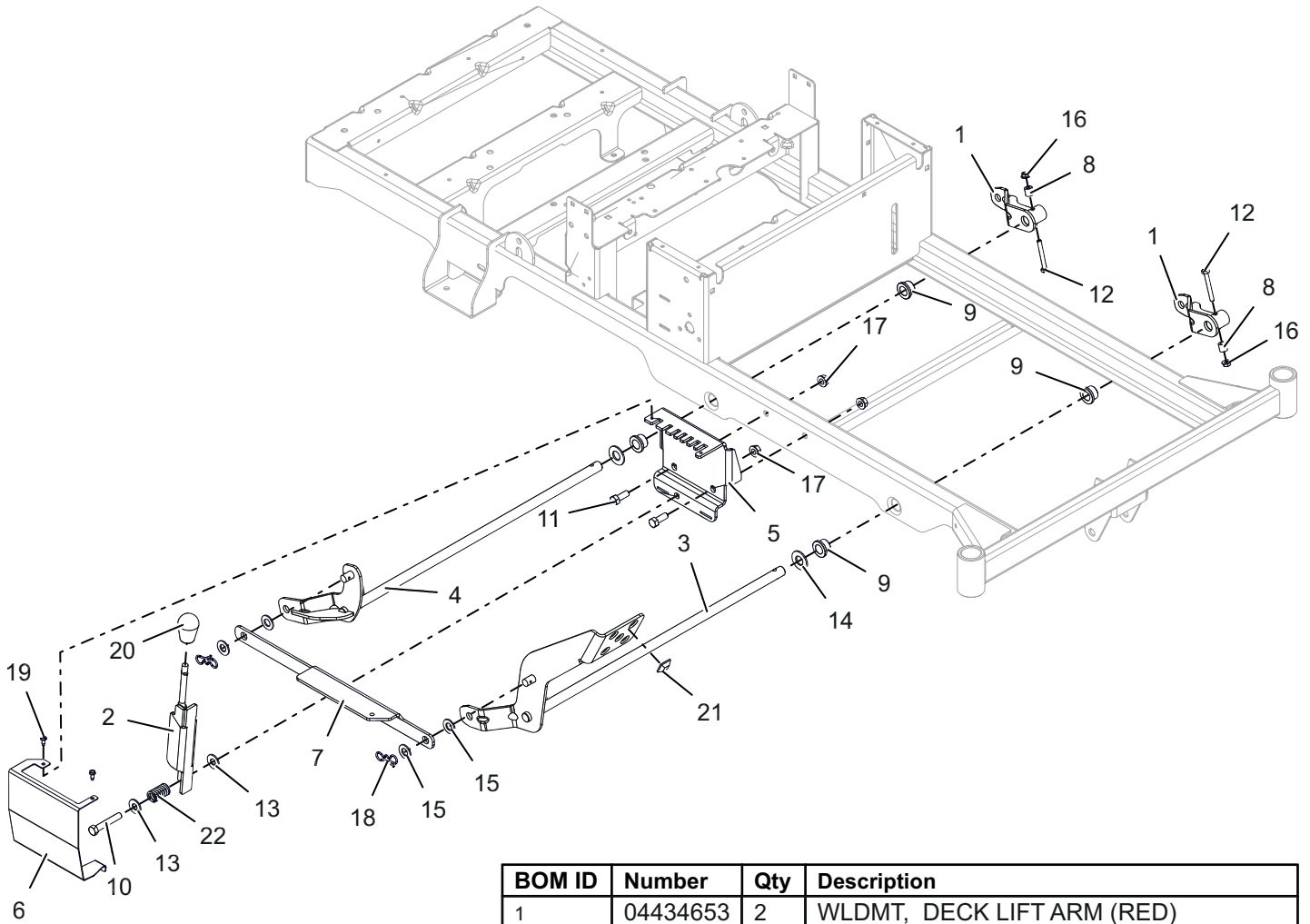
BUTTON OUT



BUTTON IN

# DECK LIFT

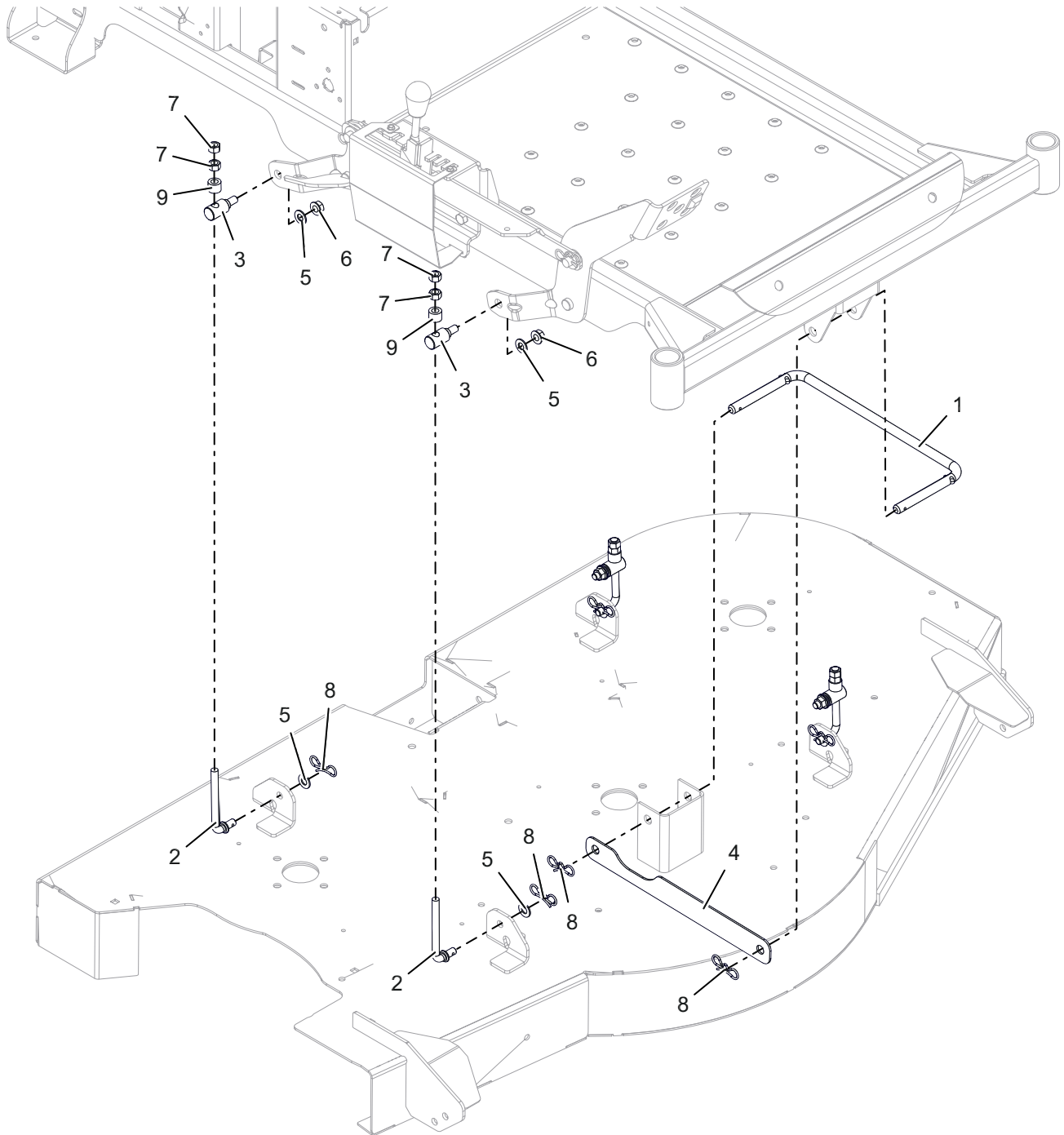
## Model All



BOM ID	Number	Qty	Description
1	04434653	2	WLDMT, DECK LIFT ARM (RED)
2	09178953	1	WLDMT, HEIGHT OF CUT (RED)
3	09694553	1	WLDMT, PEDAL DECK LIFT (RED)
4	09694653	1	WLDMT, REAR DECK LIFT (RED)
5	04377953	1	PLATE, HEIGHT ADJUSTMENT (RED)
6	04723753	1	GUARD, DECK HOC (RED)
7	05292653	1	LINK, LIFT /HOC (RED)
8	05501112	2	SPACER SLEEVED .265X.500X.500
9	05519100	4	BUSHING FLANGED
10	05901640	1	BLT, HEX 0.375-16X2.25 GR5 ZC120
11	05901711	2	BLT, HEX 0.375-16X1 GR5 ZC120
12	05901740	2	BLT, HEX 0.25-20X2 GR5 ZCC
13	06401008	2	WSHR-FL-STL 0.438X1X0.083 ZC120
14	06401118	2	WSHR-FL-STL 0.656X1.312X0.095 ZCC
15	06443300	4	WSHR-FL-NYL .518X1.00X.08
16	06500821	2	NUT, FLG-CTR LK .250-20 GR5 ZC120
17	06500901	3	NUT, FLG-CTR LK .375-16 GR5 ZC120
18	06700220	2	PIN, BOWTIE LOCKING .091X1.875 ZCC
19	07400130	2	SCR-TAP #10-24X.50 HWH ZCC
20	07500224	1	KNOB, SOFT TEARDROP, PUSH-ON BLK
21	07525100	1	STOP, RUBBER
22	08300631	1	SPRG, COMPRESSION

# DECK LIFT (CONTINUED)

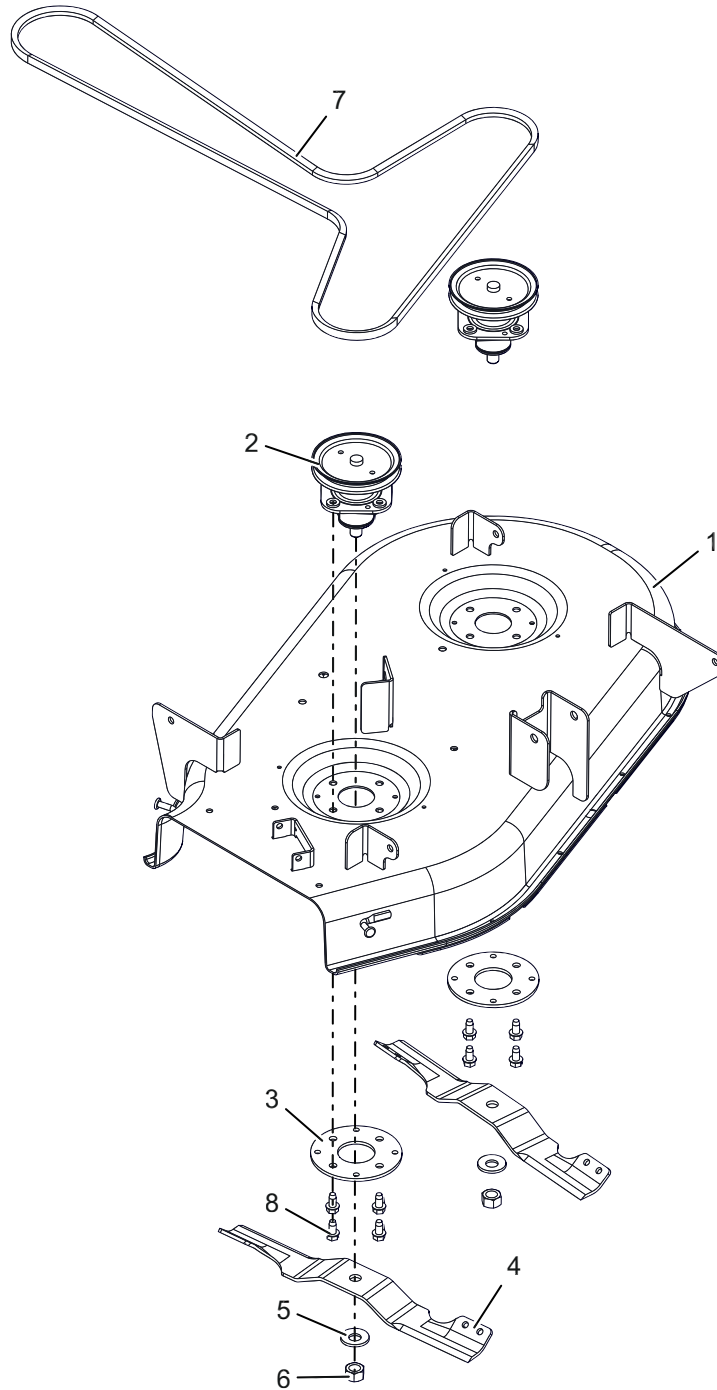
Model All



BOM ID	Number	Qty	Description
1	04377600	1	WIREFORM, DRAG LINK
2	04377700	4	WIREFORM, DECK ADJUSTMENT
3	04377800	4	TRUNNION, DECK ADJUSTER
4	04424900	1	STRAP, DRAG LINK
5	06401013	8	WSHR-FL-STL 0.406X0.812X0.065 ZC120
6	06500901	4	NUT, FLG-CTR LK .375-16 GR5 ZC120
7	06500917	8	NUT, STD .375-16 GR2 ZCC
8	06700220	6	PIN, BOWTIE LOCKING .091X1.875 ZCC
9	08553700	4	SPACER SLEEVE

# DECK, BELT, BLADES, AND SPINDLES – 34"

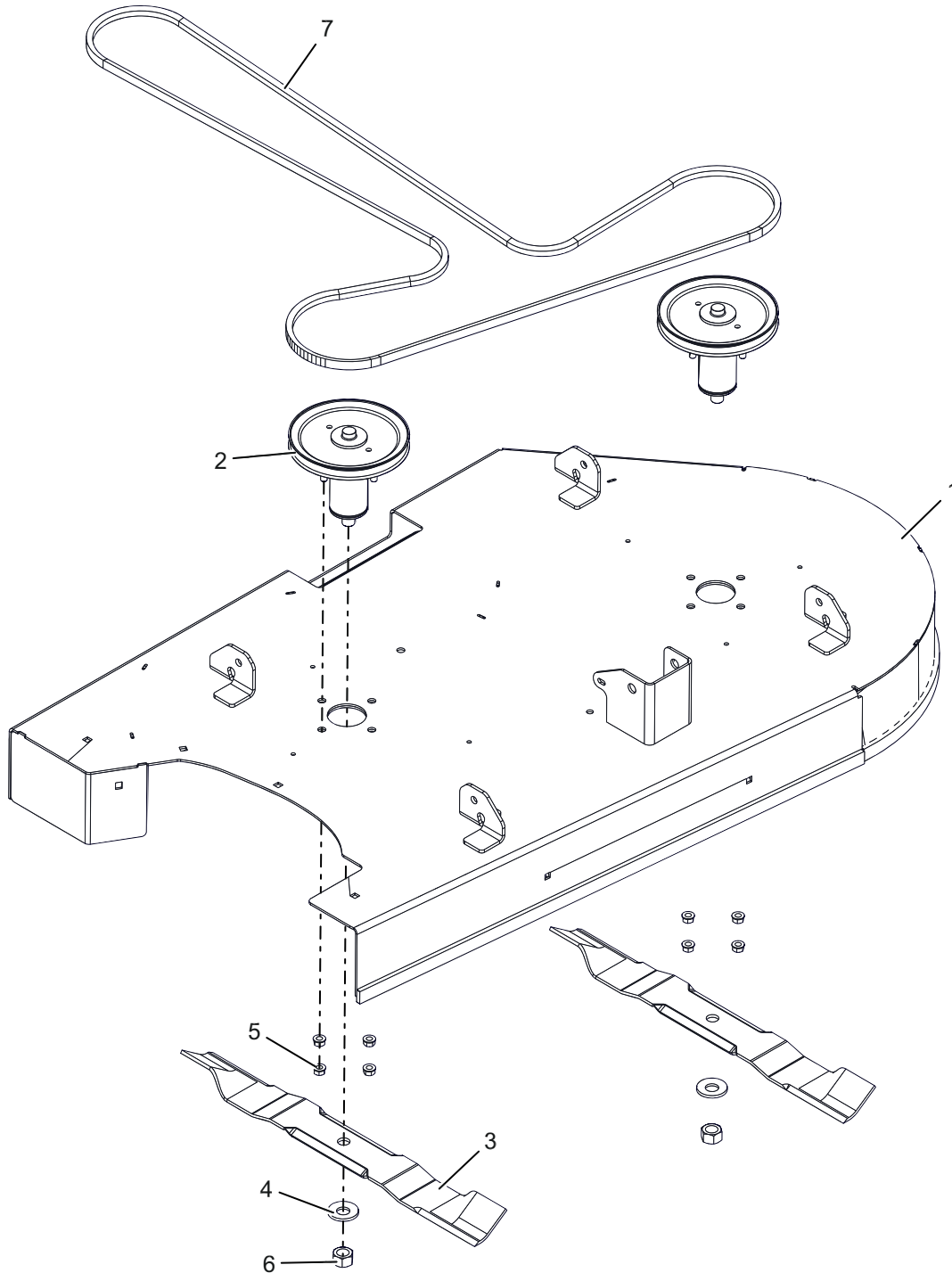
Model 915288



BOM ID	Number	Qty	Description
1	51538600	1	KIT, 34" ZT DECK W/DECALS
2	61562301	2	KIT, DECK SPINDLE ASM
3	03839053	2	PLATE, REINF SPINDLE
4	03971900	2	BLADE, MOWER
5	06445700	2	WSHR, BLVL-.63X1.625X.14
6	06500920	2	NUT, HEX .625-18 ZCC
7	07200116	1	V-BELT, HA WRAPPED
8	07400129	8	SCR-TAP .38-16X.75 HWH ZCC

# DECK, BELT, BLADES, AND SPINDLES – 42"

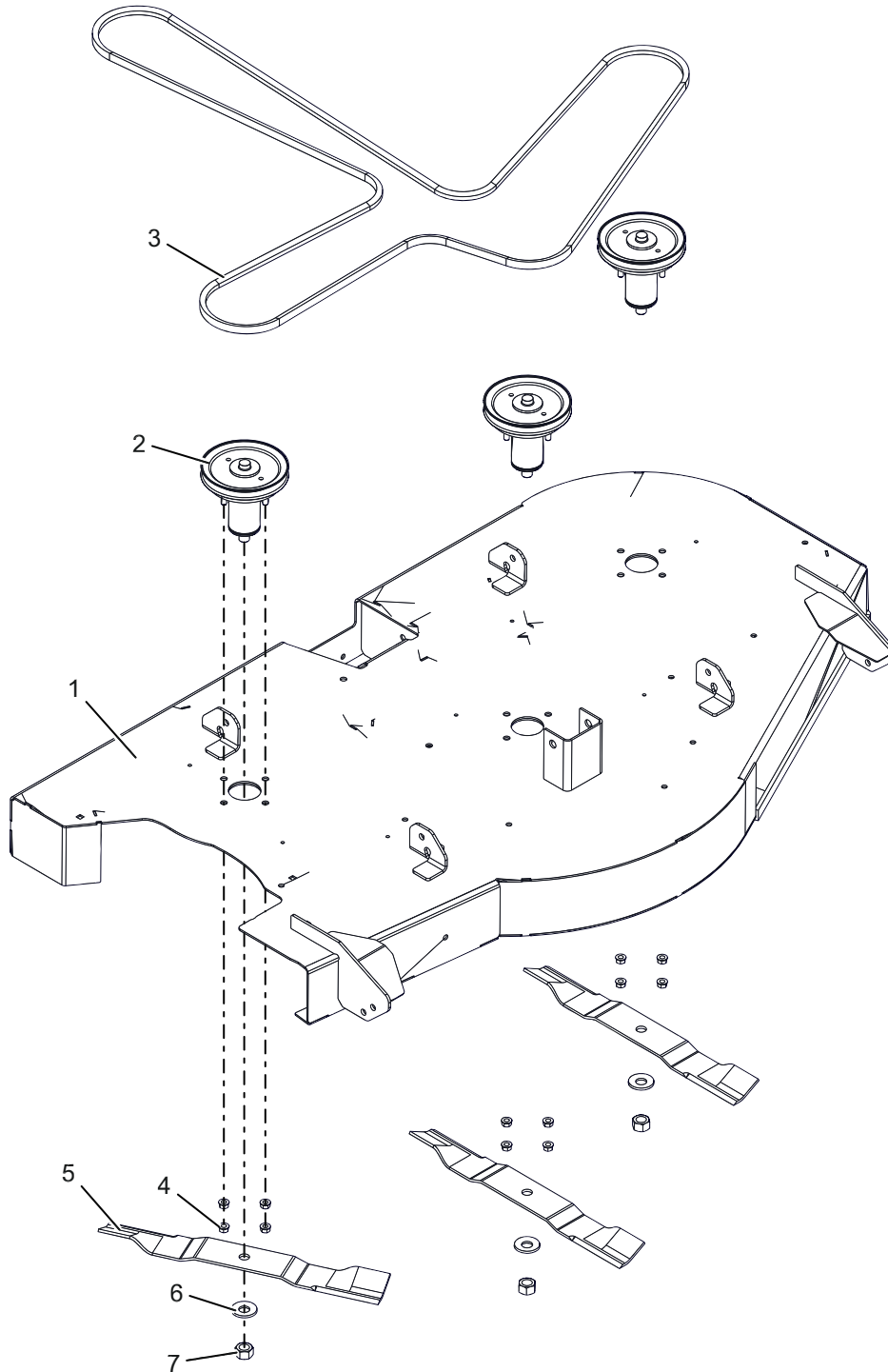
Model 915289



BOM ID	Number	Qty	Description
1	51538700	1	KIT, 42" ZT DECK W/DECALS
2	51537300	2	ASM, ALUM SPINDLE 4.75" DIA.
3	04965000	2	BLADE, 21" - 35 DEG
4	06445700	2	WSHR, BLVL-.63X1.625X.14
5	06500840	8	NUT, FLG-CTR LK .312-18 GR5 ZCC
6	06500920	2	NUT, HEX .625-18 ZCC
7	07231800	1	V-BELT, HA-WRAPPED

# DECK, BELT, BLADES, AND SPINDLES – 52"

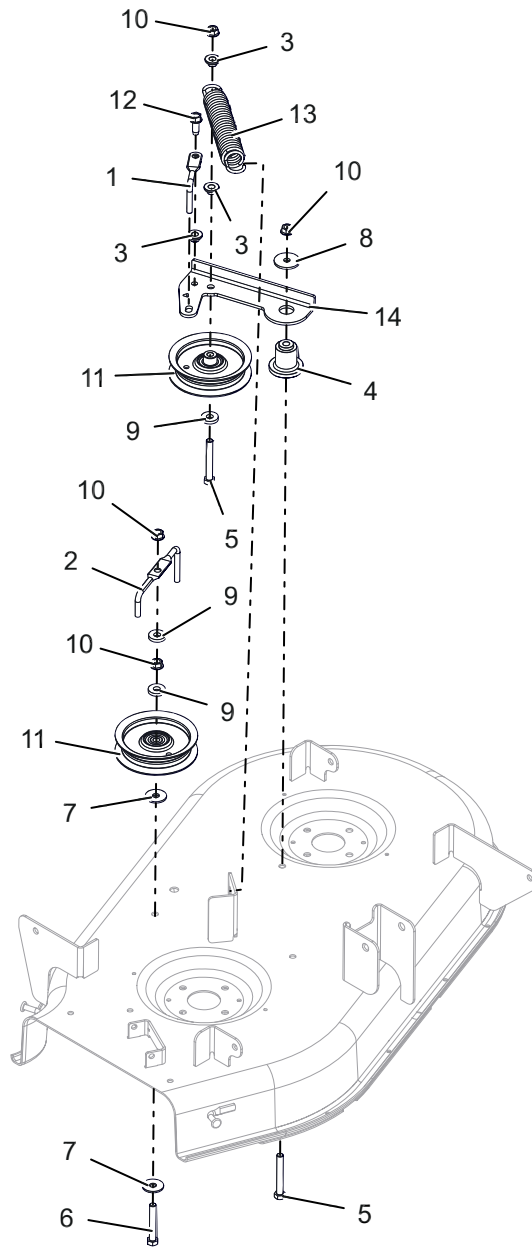
Model 915290



BOM ID	Number	Qty	Description
1	51538800	1	KIT, 52" ZT DECK W/DECALS
2	51537200	3	ASM, ALUM SPINDLE 4.75" DIA.
3	07241600	1	V-BELT, HA-WRAPPED
4	06500840	12	NUT, FLG-CTR LK .312-18 GR5 ZCC
5	04771200	3	BLADE, 18" - 20 DEG .5 OFFSET
6	06445700	3	WSHR, BLVL-.63X1.625X.14
7	06500920	3	NUT, HEX .625-18 ZCC

# IDLERS AND SHEAVES – 34"

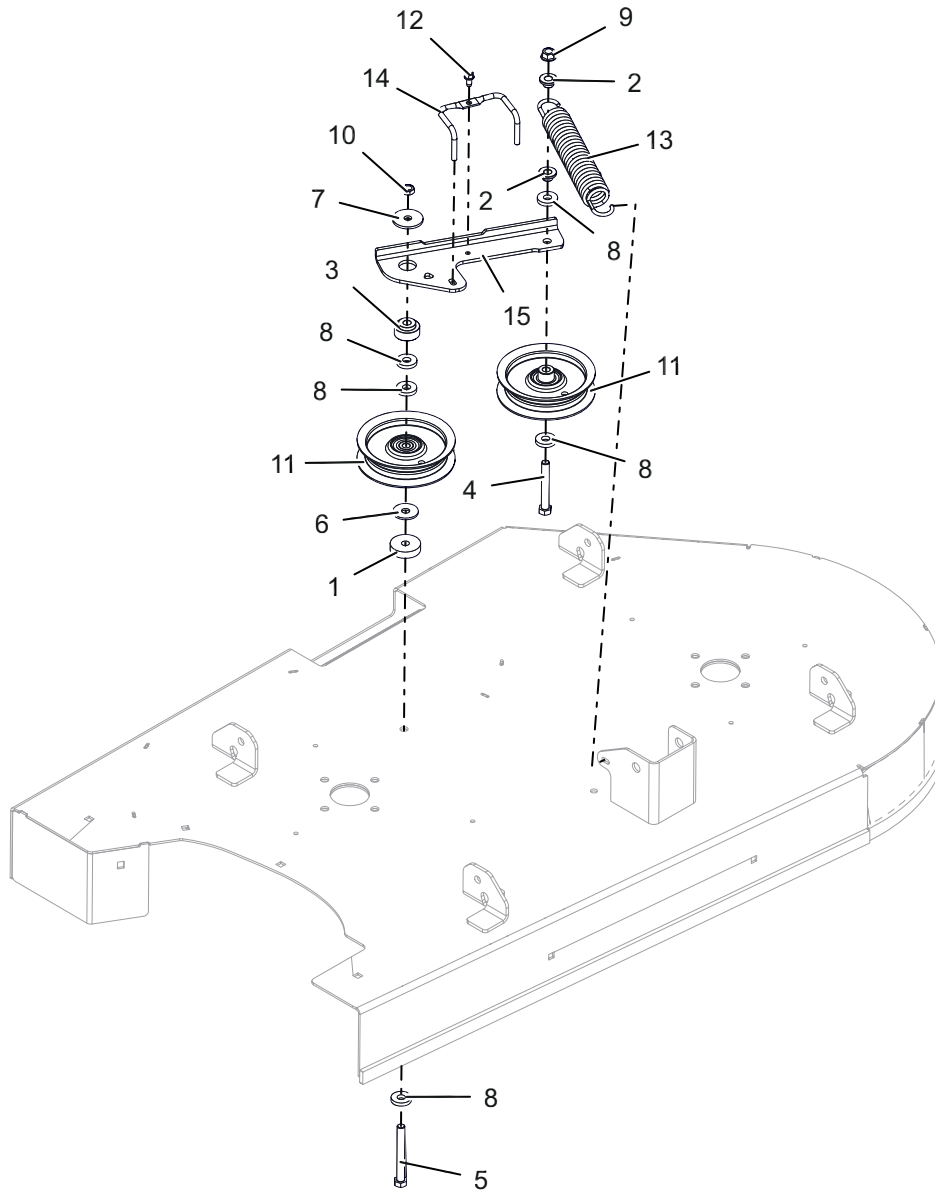
Model 915288



BOM ID	Number	Qty	Description
1	03828800	1	WIREFORM, BELT FINGER
2	03974100	1	FINGER, BELT
3	05500435	3	BUSHING FLANGED FLG .385 X .500 X .875 X .406
4	05501530	1	BSHG, FIXED IDLER
5	05901611	2	BLT, HEX 0.375-16X2.75 GR5 ZC120
6	05901812	1	BLT, HEX 0.375-16X2.5 GR5 ZCC
7	06401021	2	WSHR-FL-STL 0.406X1.25X0.1 ZCC
8	06401106	1	WSHR-FL-STL 0.38X1.5X0.125 ZCC
9	06401108	3	WSHR-FL-STL 0.406X1X0.188 ZCC
10	06500901	4	NUT, FLG-CTR LK .375-16 GR5 ZC120
11	07350100	2	IDLER, FLAT - 4.06" X .75"
12	07417500	1	SCR-TAP .38-16X1.00 HWH ZCC
13	08300627	1	SPRG, EXTENSION
14	30143753	1	ARM, IDLER -34 ZT (RED)

# IDLERS AND SHEAVES – 42"

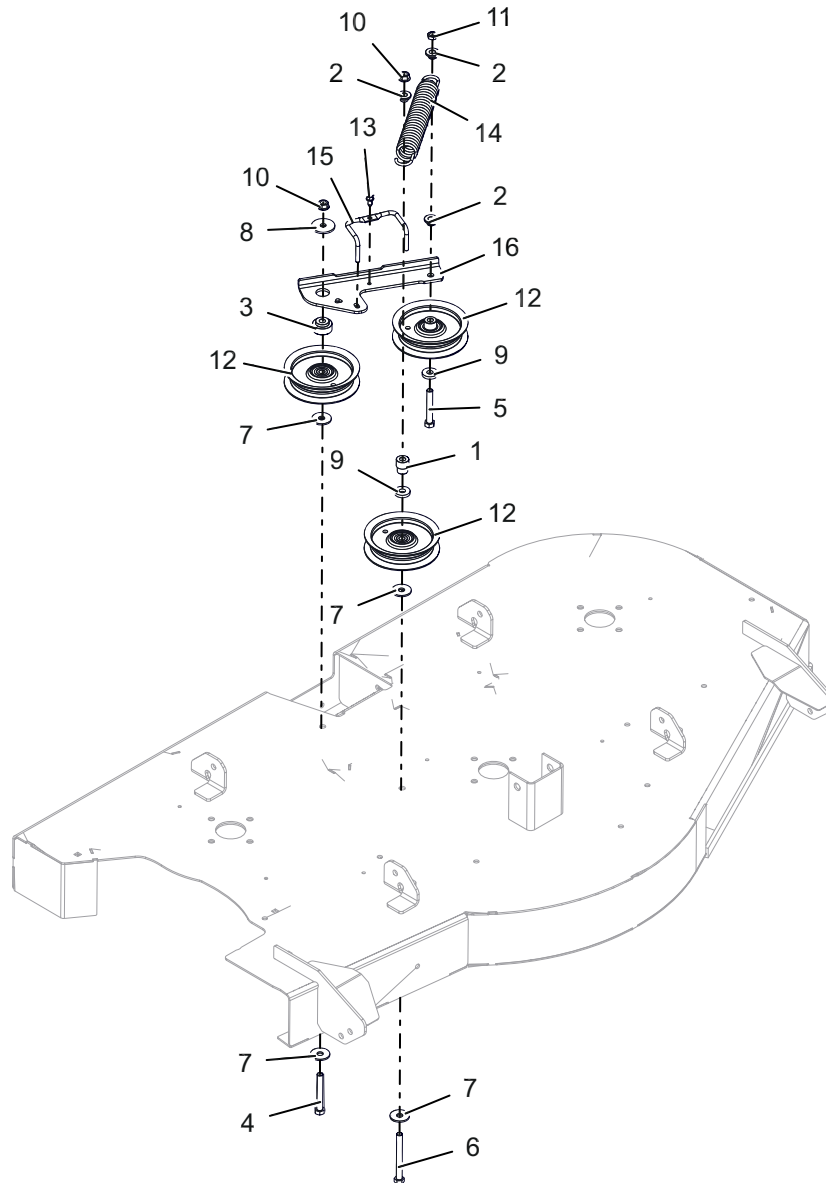
Model 915289



BOM ID	Number	Qty	Description
1	01594000	1	SPACER SLEEVED .39X1.50X.380
2	05500435	2	BUSHING FLANGED FLG .385 X .500 X .875 X .406
3	05501529	1	BSHG, FLANGED
4	05901611	1	BLT, HEX 0.375-16X2.75 GR5 ZC120
5	05901817	1	BLT, HEX 0.375-16X3.25 GR5 ZCC
6	06401021	1	WSHR-FL-STL 0.406X1.25X0.1 ZCC
7	06401106	1	WSHR-FL-STL 0.38X1.5X0.125 ZCC
8	06401108	5	WSHR-FL-STL 0.406X1X0.188 ZCC
9	06500901	1	NUT, FLG-CTR LK .375-16 GR5 ZC120
10	06500914	1	NUT, JAM-CTR LK .50-13 GR5 ZC120
11	07350100	2	IDLER, FLAT - 4.06" X .75"
12	07400122	1	SCR-TAP .25-20X.50 HWH ZCC
13	08300627	1	SPRG, EXTENSION
14	09694700	1	WIREFORM, BELT FINGER
15	09695053	1	ARM, IDLER ZT (RED)

# IDLERS AND SHEAVES – 52"

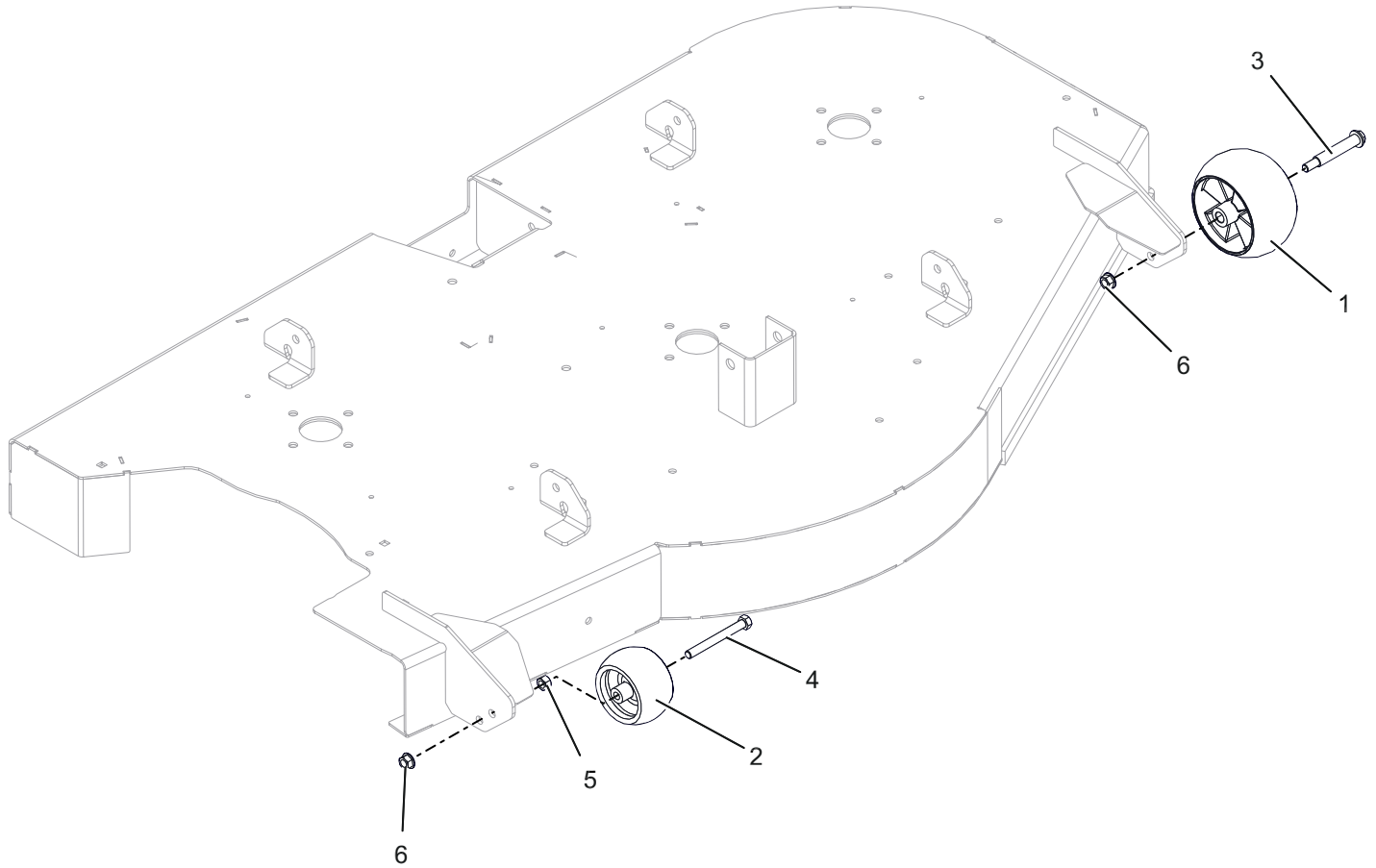
Model 915290



BOM ID	Number	Qty	Description
1	00679300	1	BUSHING IDLER (P/M)
2	05500435	3	BUSHING FLANGED FLG .385 X .500 X .875 X .406
3	05501529	1	BSHG, FLANGED
4	05901611	1	BLT, HEX 0.375-16X2.75 GR5 ZC120
5	05901812	1	BLT, HEX 0.375-16X2.5 GR5 ZCC
6	05901818	1	BLT, HEX 0.375-16X3.5 GR5 ZCC
7	06401021	4	WSHR-FL-STL 0.406X1.25X0.1 ZCC
8	06401106	1	WSHR-FL-STL 0.38X1.5X0.125 ZCC
9	06401108	2	WSHR-FL-STL 0.406X1X0.188 ZCC
10	06500901	2	NUT, FLG-CTR LK .375-16 GR5 ZC120
11	06500914	1	NUT, JAM-CTR LK .50-13 GR5 ZC120
12	07350100	3	IDLER, FLAT - 4.06" X .75"
13	07400122	1	SCR-TAP .25-20X.50 HWH ZCC
14	08300627	1	SPRG, EXTENSION
15	09694700	1	WIREFORM, BELT FINGER
16	09695053	1	ARM, IDLER ZT (RED)

# ANTI-SCALP WHEELS – 52"

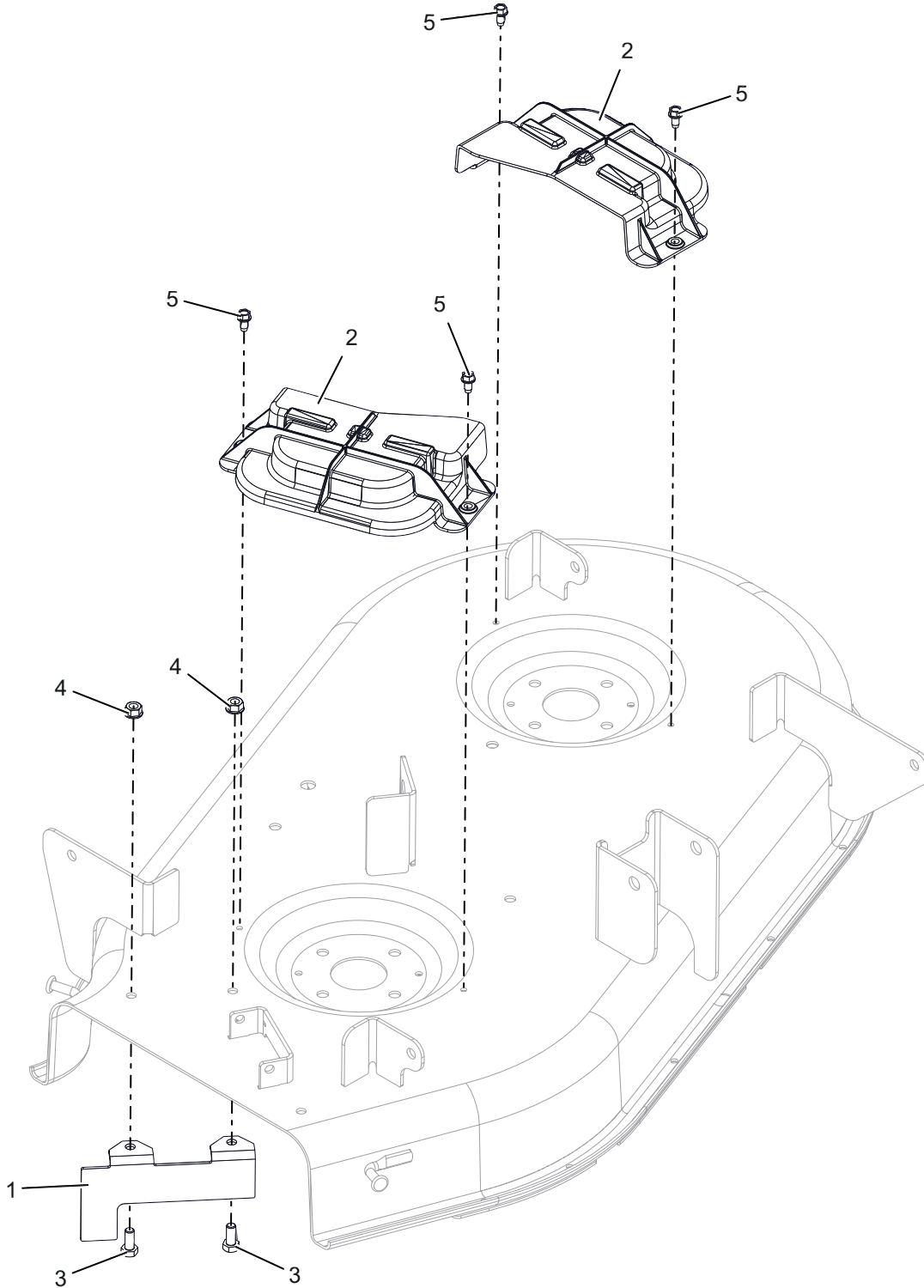
Model 915290



BOM ID	Number	Qty	Description
1	03905600	1	WHEEL, ANTI SCALP - 5XOS
2	02745400	1	ROLLER
3	07056800	1	BLT-SHLDR .38-16X2.50 HWH G5 ZCC
4	05901818	1	BLT, HEX 0.375-16X3.5 GR5 ZCC
5	06500917	1	NUT, STD .375-16 GR2 ZCC
6	06500901	2	NUT, FLG-CTR LK .375-16 GR5 ZC120

# BELT COVERS AND BAFFLE – 34"

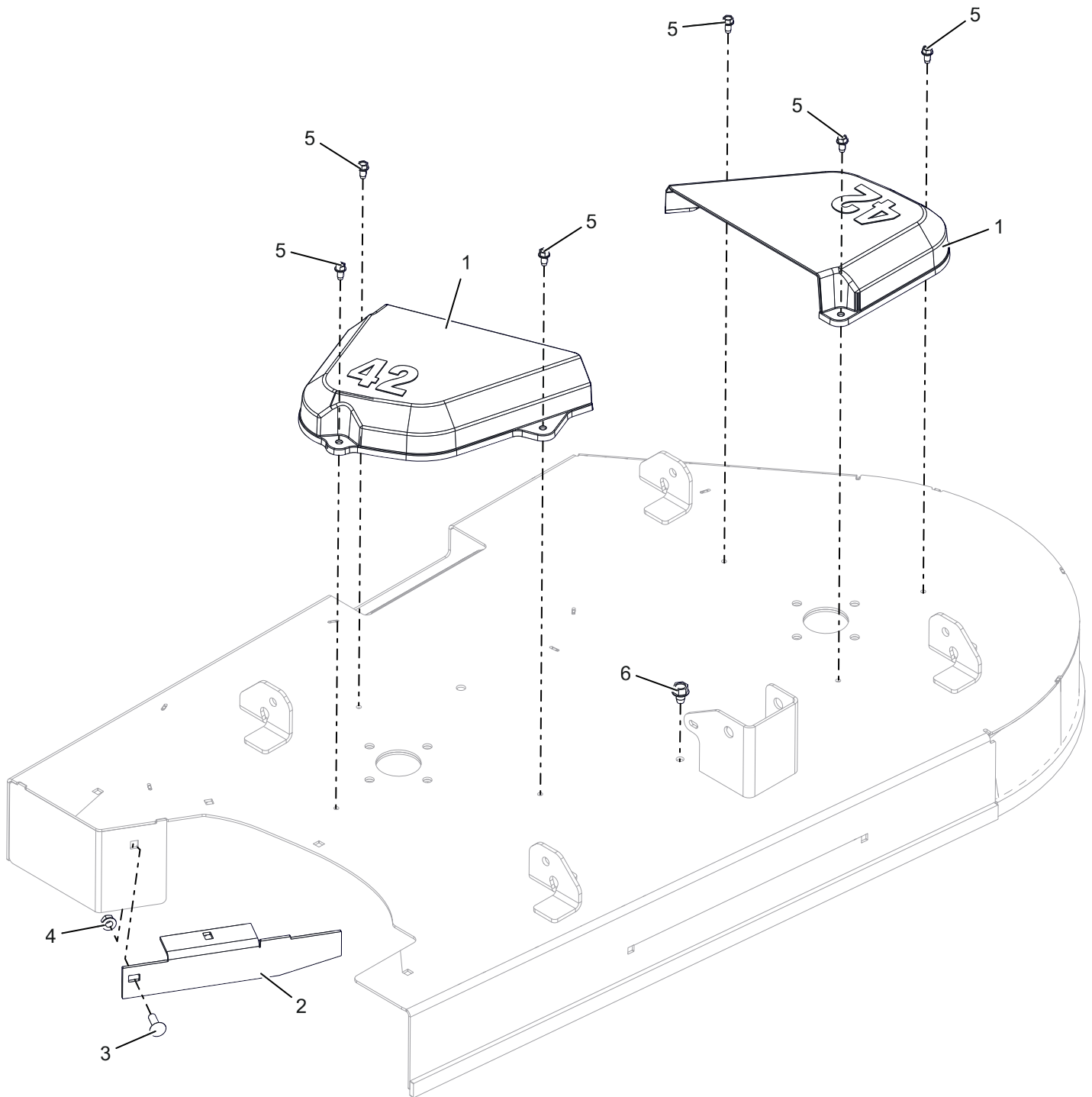
Model 915288



BOM ID	Number	Qty	Description
1	03779253	1	BRKT, BAFFLE
2	04323800	2	COVER, BELT , MOLDED
3	05901704	2	BLT, HEX 0.3125-18X0.75 GR5 ZC120
4	06500840	2	NUT, FLG-CTR LK .312-18 GR5 ZCC
5	07400122	4	SCR-TAP .25-20X.50 HWH ZCC

# BELT COVERS AND BAFFLE – 42"

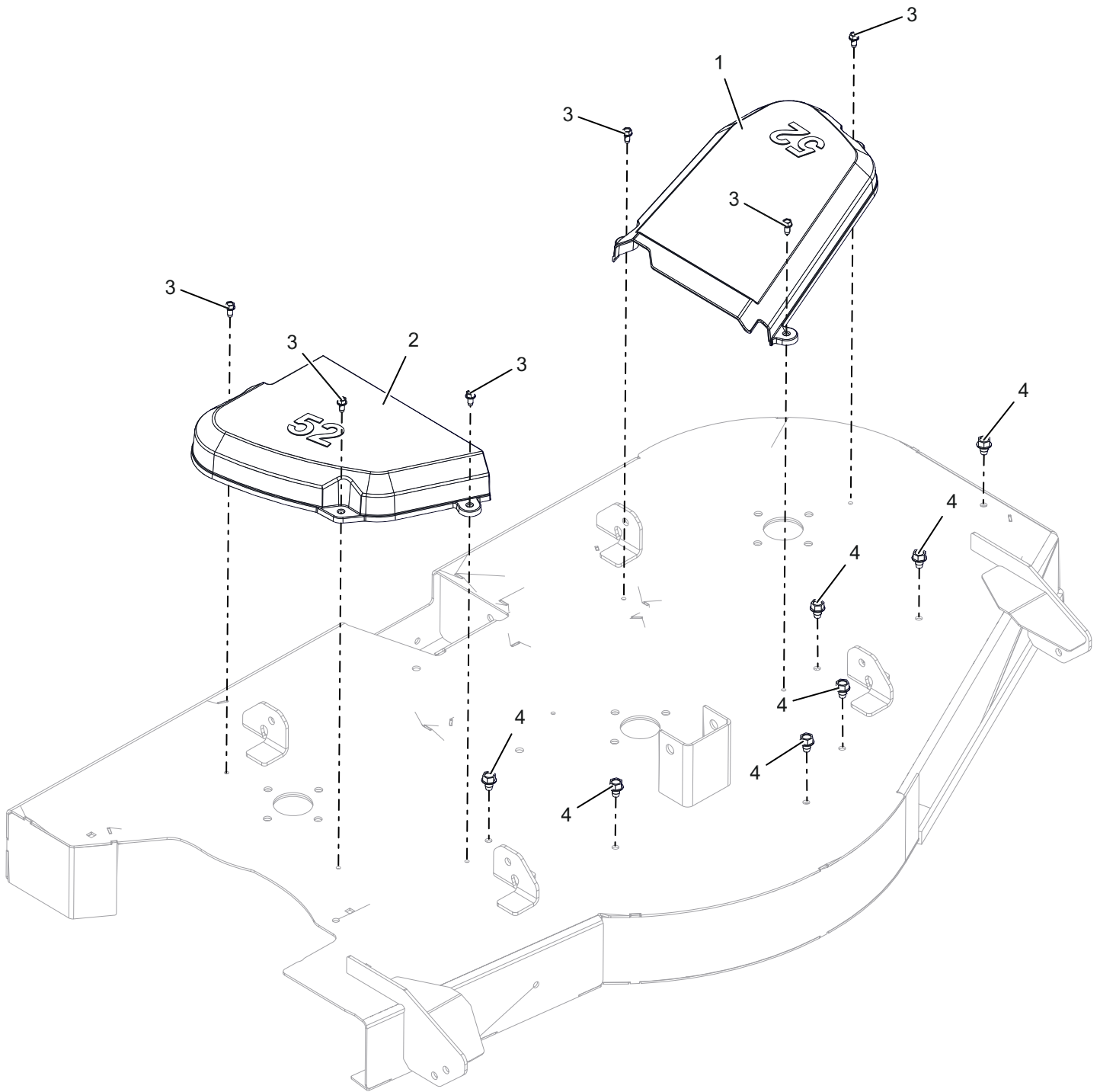
Model 915289



BOM ID	Number	Qty	Description
1	04789200	2	COVER, BELT 42"
2	05292151	1	STRIP, DEFLECTOR (BLACK)
3	06200231	1	BLT,RHSN .313-18 X 1 G5 ZCC
4	06500840	1	NUT, FLG-CTR LK .312-18 GR5 ZCC
5	07400122	6	SCR-TAP .25-20X.50 HWH ZCC
6	07400126	1	SCR-TAP .38-16X.500 HWH ZCC

# BELT COVERS – 52"

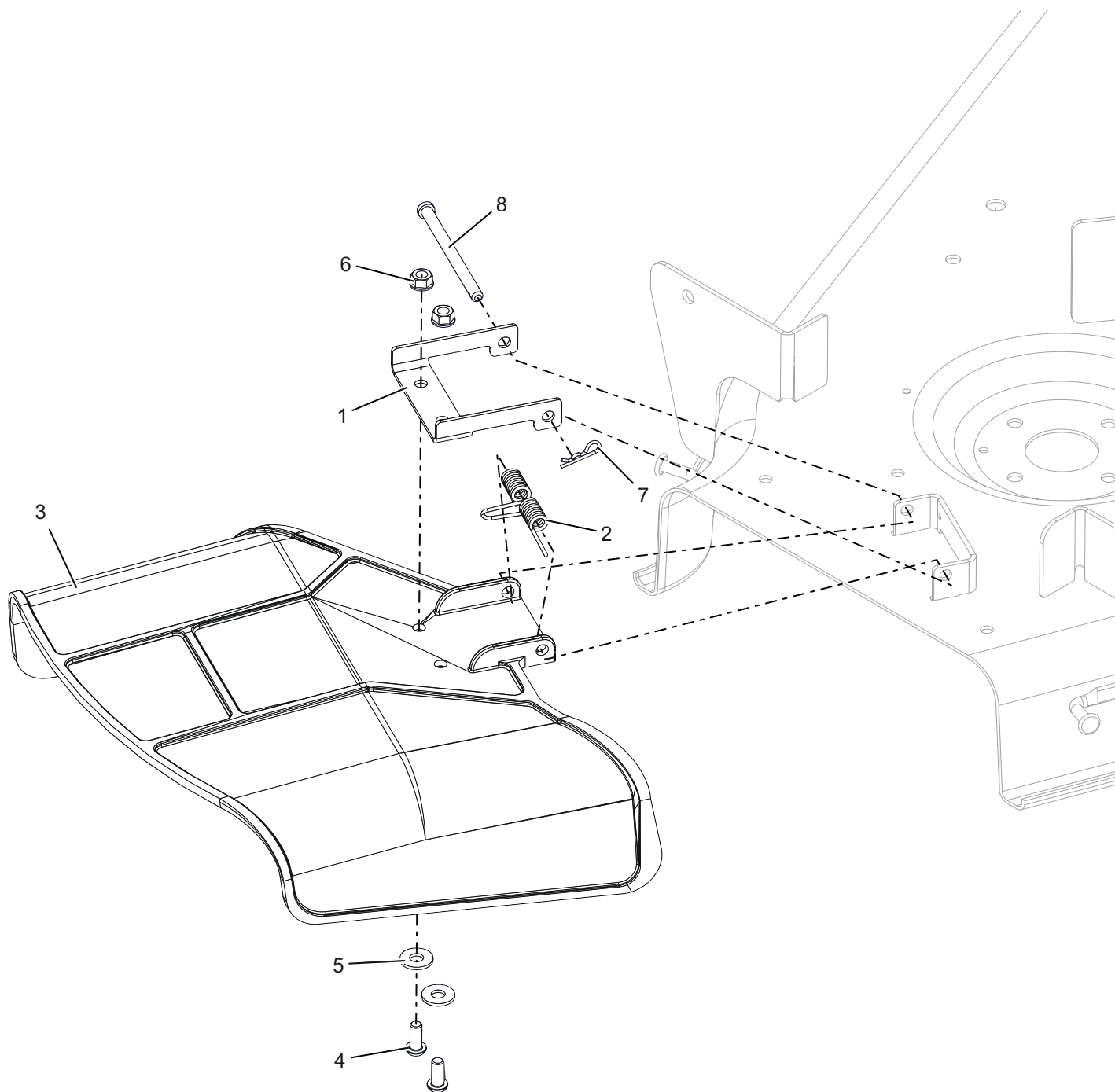
Model 915290



BOM ID	Number	Qty	Description
1	05297400	1	COVER, BELT 52" LEFT
2	05297500	1	COVER, BELT 52" RIGHT
3	07400122	6	SCR-TAP .25-20X.50 HWH ZCC
4	07400126	7	SCR-TAP .38-16X.500 HWH ZCC

# DISCHARGE CHUTE – 34"

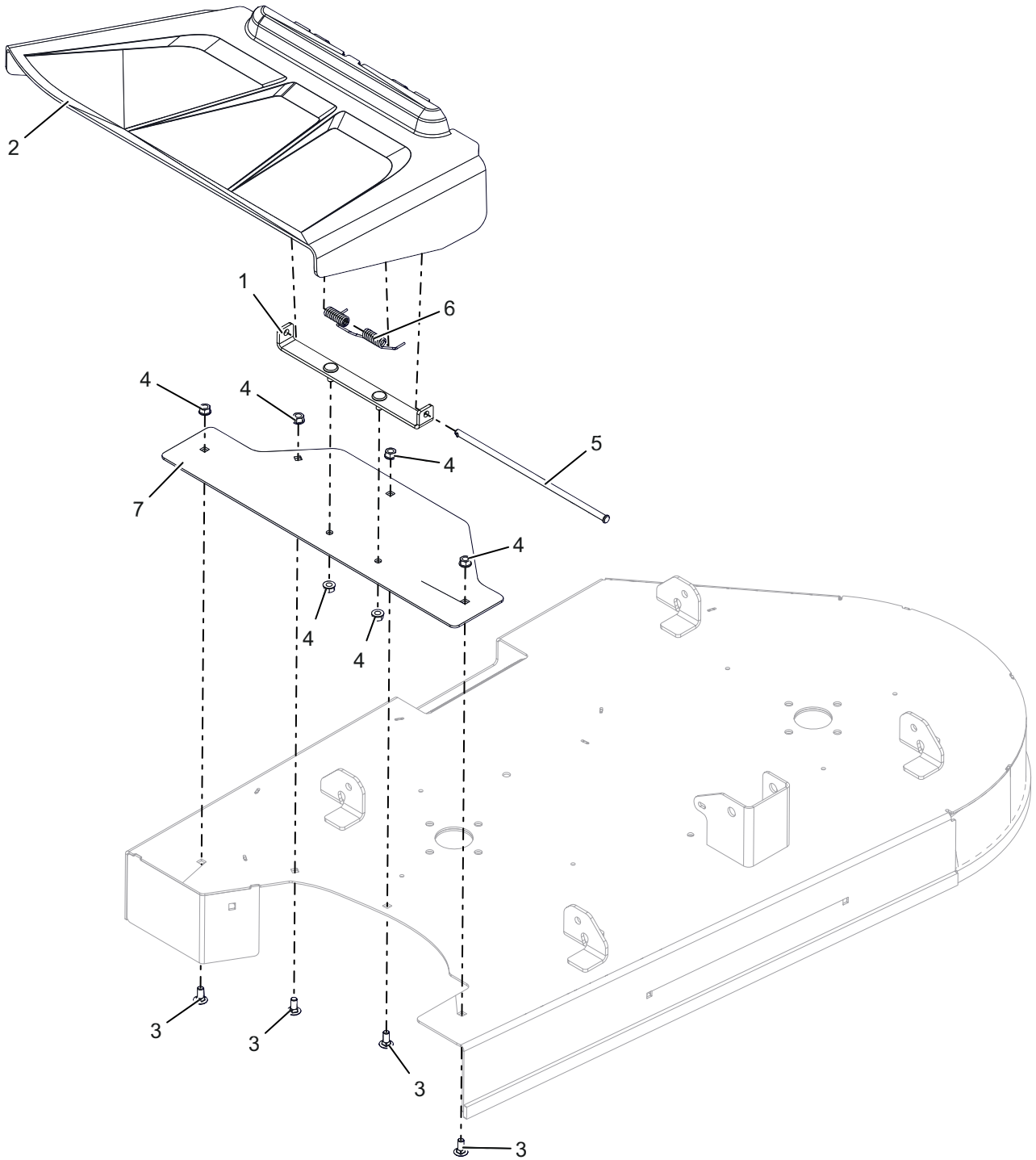
Model 915288



BOM ID	Number	Qty	Description
1	00662653	1	CHUTE, REINFORCEMENT
2	01258100	1	SPRG, TORSION
3	03994300	1	CHUTE, SIDE
4	05920900	2	SCR, SKH .31-18X.75 BTNHD ZCC
5	06401023	2	WSHR-FL-STL 0.375X0.875X0.083 ZC120
6	06500840	2	NUT, FLG-CTR LK .312-18 GR5 ZCC
7	06700222	1	PIN, HAIR #213 .08X1.19 ZCC
8	06800002	1	PIN, 5/16 X 3.88

# DISCHARGE CHUTE – 42"

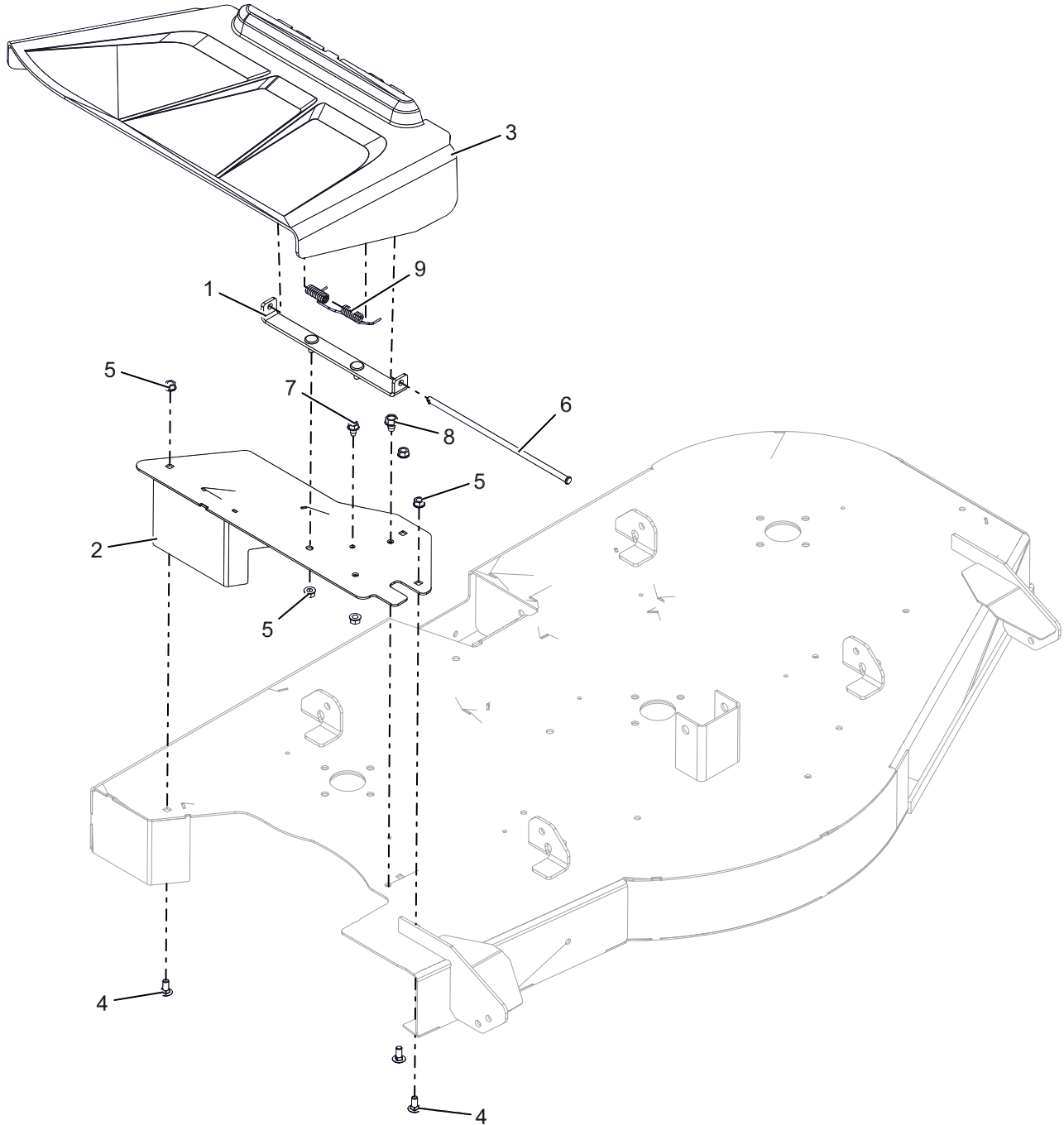
Model 915289



BOM ID	Number	Qty	Description
1	04799800	1	WLDMT, CHUTE MOUNTING BRACKET
2	04795000	1	CHUTE, SIDE DISCHARGE
3	06200232	4	BLT,RHSN .313-18 X 0.75 G5 ZCC
4	06500840	6	NUT, FLG-CTR LK .312-18 GR5 ZCC
5	06800205	1	PIN, SLIC-.312X10.45
6	08300621	1	SPRG, TORSION .35 ID (CHUTE)
7	09153853	1	PLATE, DECK - DISCHARGE (RED)

# DISCHARGE CHUTE – 52"

Model 915290



BOM ID	Number	Qty	Description
1	04799800	1	WLDMT, CHUTE MOUNTING BRACKET
2	09156253	1	WLDMT, DISCHARGE PLATE (RED)
3	04795000	1	CHUTE, SIDE DISCHARGE
4	06200232	3	BLT,RHSN .313-18 X 0.75 G5 ZCC
5	06500840	5	NUT, FLG-CTR LK .312-18 GR5 ZCC
6	06800205	1	PIN, SLIC-.312X10.45
7	07400124	1	SCR-TAP .312-18X.50 HWH ZCC
8	07400126	1	SCR-TAP .38-16X.500 HWH ZCC
9	08300621	1	SPRG, TORSION .35 ID (CHUTE)

# NOTES

---



655 West Ryan Street  
Brillion, WI 54110

[gravelly.com](http://gravelly.com)



ARIENS|CO