

Masport®

RIDE ON MOWERS 553007 10.5/30SD RER 3000

Serial Number Location
Example: 1F124B20337



Issue A.2
ECN 12304
Nov 2018 PB



Contents

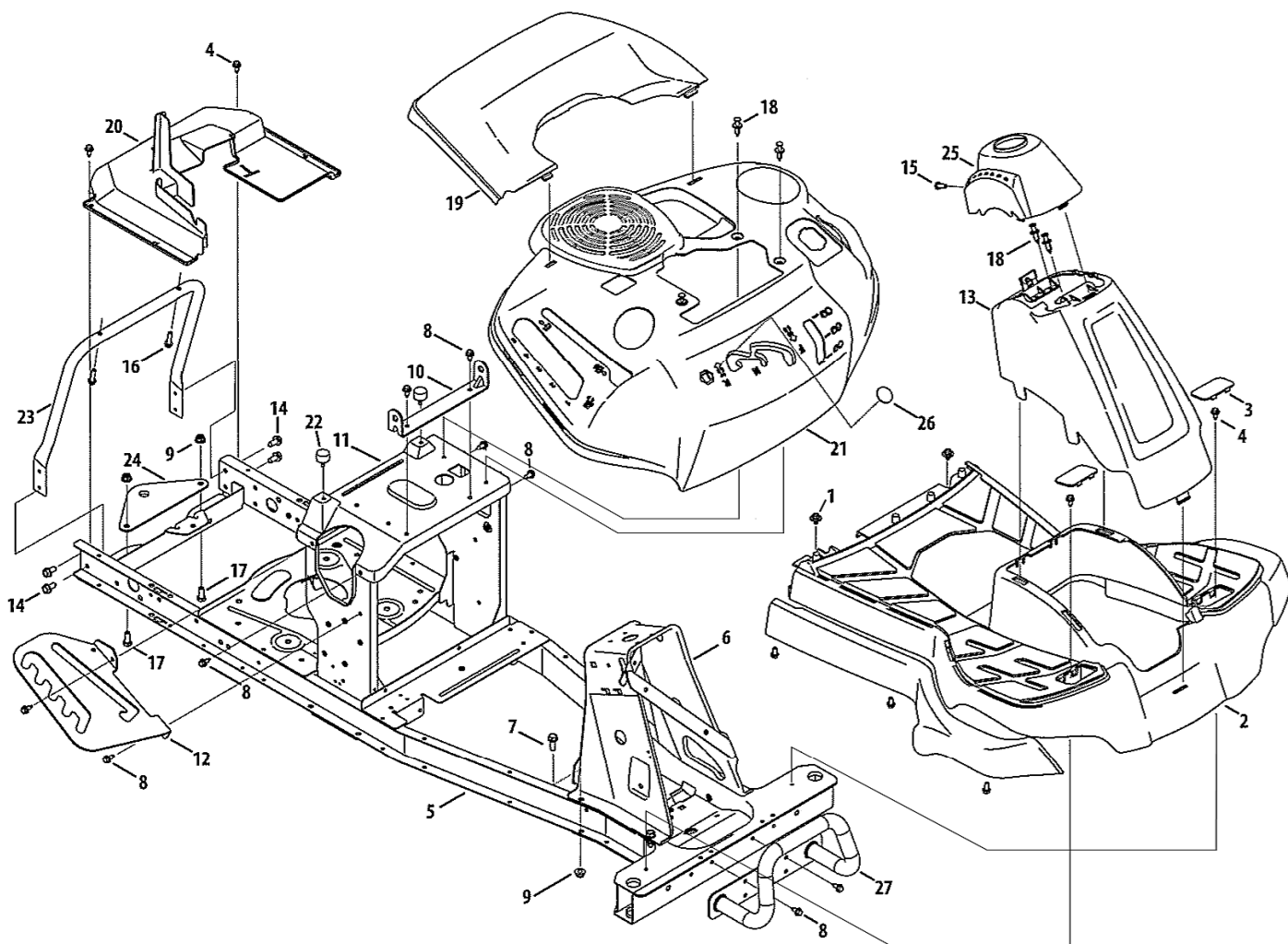
Frame & Fender	Page 3
Drive System	Page 4
Seat, Fuel Tank & Electrical	Page 5
Front End Steering	Page 6
Pedal Controls	Page 7
Deck Lift	Page 8
Deck- 30"	Page 9
Mulching Plug & Fasteners	Page 10
Electrical Schematic	Page 11
Decal Map	Page 12

Accessories available for this Ride On:

Catcher Assembly Complete	554523
---------------------------	--------



Frame & Fender



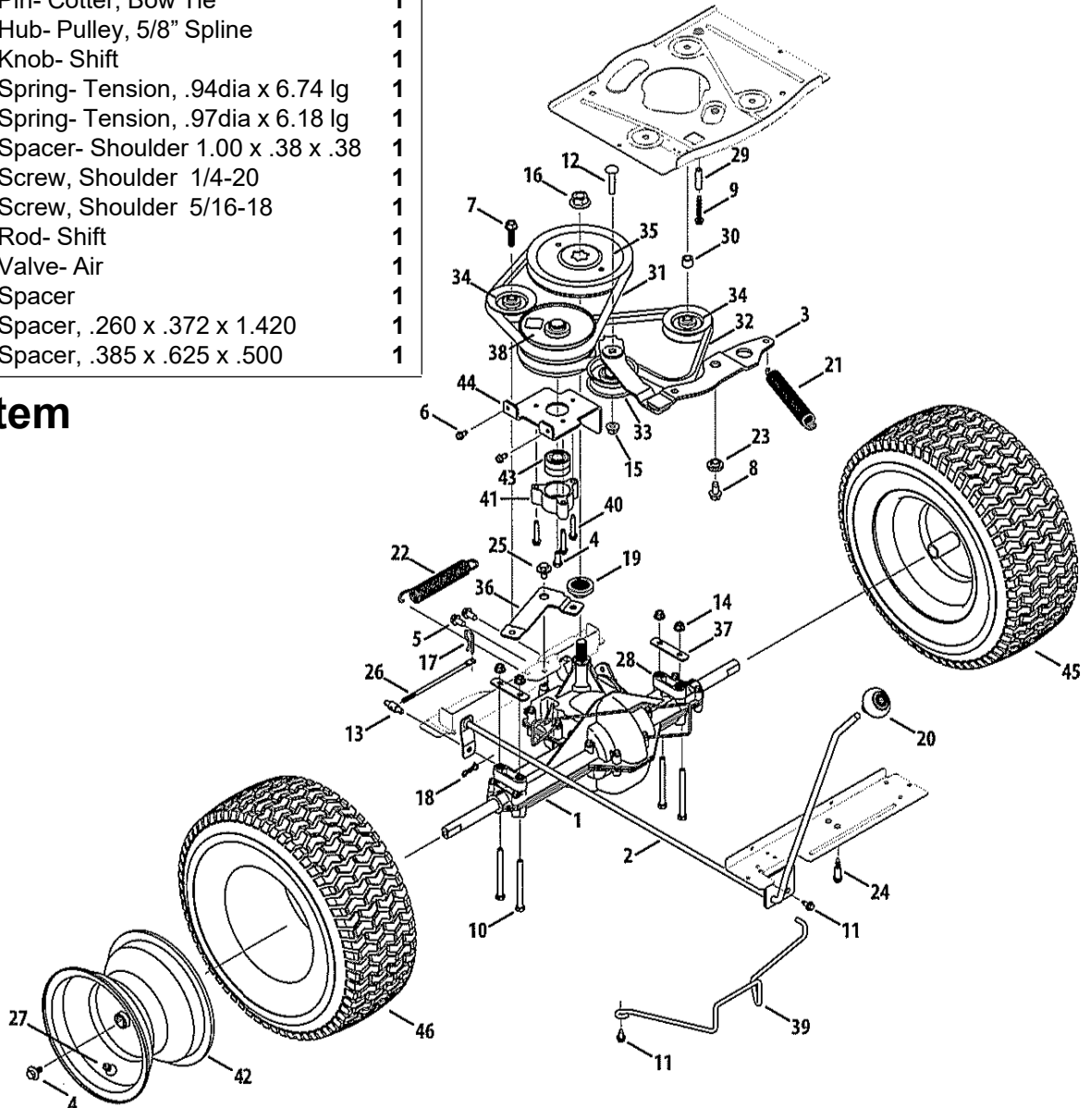
Item	Part No	Description	Qty	Item	Part No	Description	Qty
1	710-05073	Screw, 1/4-20 x .500	1	16	710-1241	Screw, Hex 1/4-15 x 1.00	1
2	931-09588	Running Board	1	17	534437	Screw, M8 x 25 ZP	2
3	731-08753A	Plug- Running Board	1	18	728-0199	Rivet, .312	1
4	738-04184A	Screw- Shoulder, 1/4-20	1	19	731-09499	Cover- Rear, Grey	1
5	683-05015	Frame Assembly	1	20	731-09185A	Cover- Drive, Rear Top	1
6	683-05019	Column Assembly	1	21	931-09500	Fender, Grey	1
7	710-06194	Screw, Hex/Washer 5/16-18 x .75	1	22	735-05006	Bumper, .620 dia x .500	1
8	710-1652	Screw, S/Tapping 1/4-20 x .625	1	23	749-04932	Rear Cover Support Tube	1
9	501793	Nut, M8 Hex Nyloc x 8mm thick	2	24	783-07208	Plate- Hitch	1
10	783-07168	Bracket- Seat Pivot	1	25	731-09501	Cap- Steering Column, Grey	1
11	783-08197	Seat Pan	1	26	731-1999	Plug- Choke	1
12	783-08260	Bracket- Deck Lift	1	27	683-04767	Bumper Assembly	1
13	931-05064	Cover- Column, Grey	1				
14	710-04484	Screw, S/Tapping 5/16-18 x .75	1				
15	710-0924	Screw, 1/4-20 x .75	1				

WHEN ORDERING - PLEASE QUOTE PART NUMBER
In the event that an item is not available, please contact Customer Services



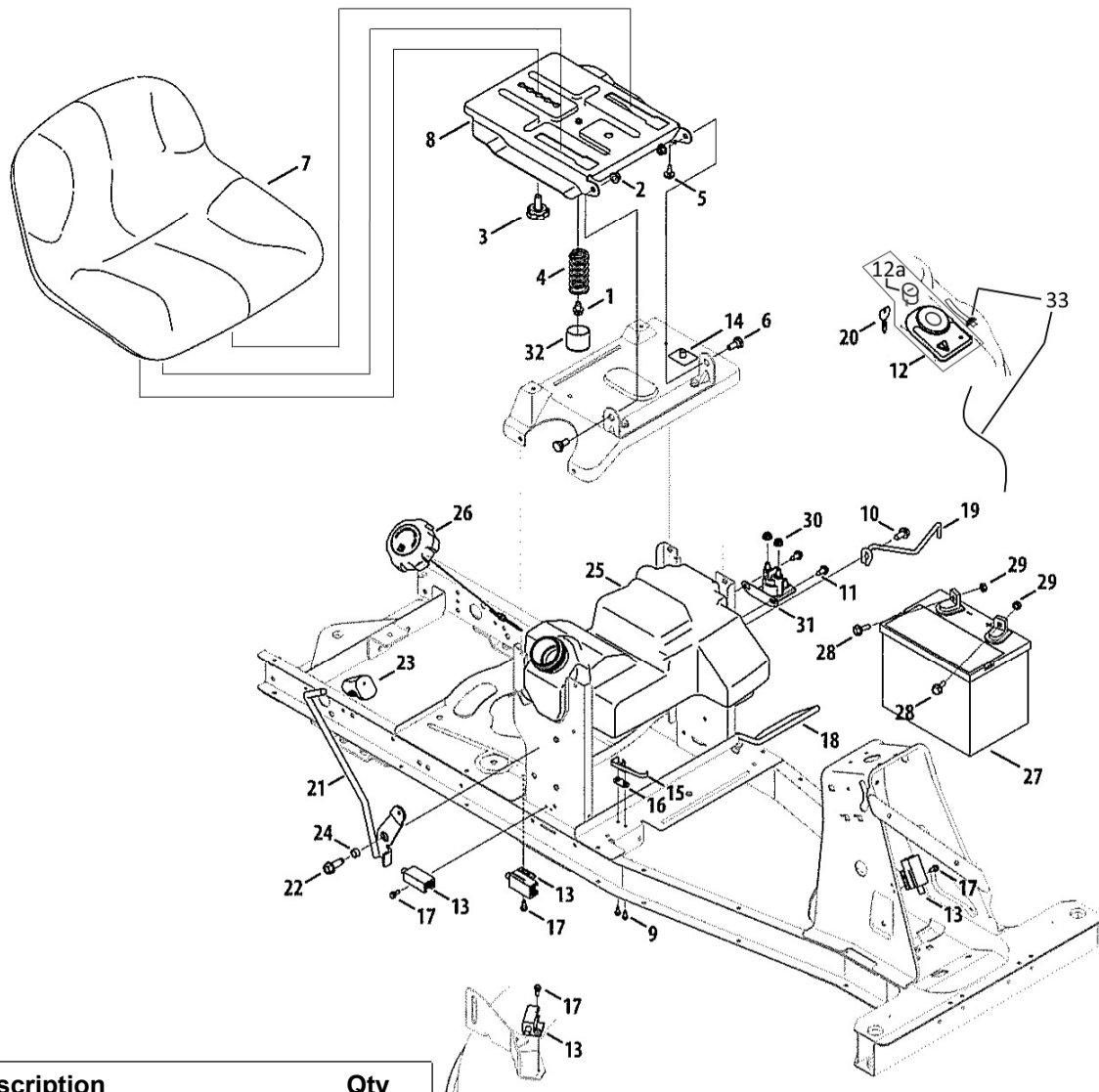
Item	Part No	Description	Qty	Item	Part No	Description	Qty
1	918-05056A	Transmission Assembly	1	31	954-05040	Belt-V, 5L:35.25	1
2	647-04262D	Handle Assy- Shift	1	32	954-04331	Belt-V, 5L:35.28	1
3	683-04768A	Idler- Drive Assembly	1	33	756-04224	Pulley- Idler, Flat 2.75 o/dia	1
4	710-05339	Screw, 5/16-24 x .750	1	34	756-04325	Pulley- Idler, V-Type 3.06	1
5	710-04484	Screw, S/Tapping 5/16-18 x .750	1	35	756-04464	Pulley- Idler, V-Type 6.56	1
6	710-0599	Screw, S/Tapping 1/4-20 x .500	1	36	783-07248	Bracket- Rear Idler Arm	1
7	710-06016	Screw, 3/8-16 x 1.375	1	37	783-08131	Bracket- Mounting, Transaxle	1
8	710-0623	Screw, S/Tapping 3/8-16 x .750	1	38	956-04015A	Pulley- Assembly, Variable Speed	1
9	710-1026	Screw, 1/4-20 x 1.750	1	39	747-06126A	Keeper- Belt, Deck 30"	1
10	710-1266	Screw, Hex 5/16-18 x 3.50	1	40	710-0778	Screw, S/Tapping 1/4-20 x .500	1
11	710-1652	Screw, S/Tapping 1/4-20 x .625	1	41	718-04261	Cup- Bearing	1
12	710-06234	Screw, Carriage 3/8-16 x 1.690	1	42	Not Stocked	Rim Assembly, 8.0 x 5.38	1
13	711-06141	Ferrule, Adjustable 1/4-20 x 1.00	1	43	941-0600	Bearing- Ball, 17 x 40 x 12	1
14	712-04063	Nut, Flanged/Lock 5/16-18	1	44	783-08210	Bracket- Variable	1
15	712-04217	Nut, Flanged/Lock 3/8-16	1	45	Not Stocked	Wheel Assembly- Complete	1
16	712-0700	Nut, Flanged 9/16-18	1	46	Not Stocked	Tyre, 16 x 6.5 x 8 (#734-04641)	1
17	914-0209	Cotter Pin, .125	1				
18	714-04040	Pin- Cotter, Bow Tie	1				
19	718-04407	Hub- Pulley, 5/8" Spline	1				
20	720-04028	Knob- Shift	1				
21	732-0459C	Spring- Tension, .94dia x 6.74 lg	1				
22	732-04934	Spring- Tension, .97dia x 6.18 lg	1				
23	738-0372B	Spacer- Shoulder 1.00 x .38 x .38	1				
24	738-05016	Screw, Shoulder 1/4-20	1				
25	738-05019	Screw, Shoulder 5/16-18	1				
26	747-05593	Rod- Shift	1				
27	934-0255	Valve- Air	1				
28	948-0334	Spacer	1				
29	750-04456	Spacer, .260 x .372 x 1.420	1				
30	750-05563	Spacer, .385 x .625 x .500	1				

Drive System





Seat, Fuel Tank & Electrical

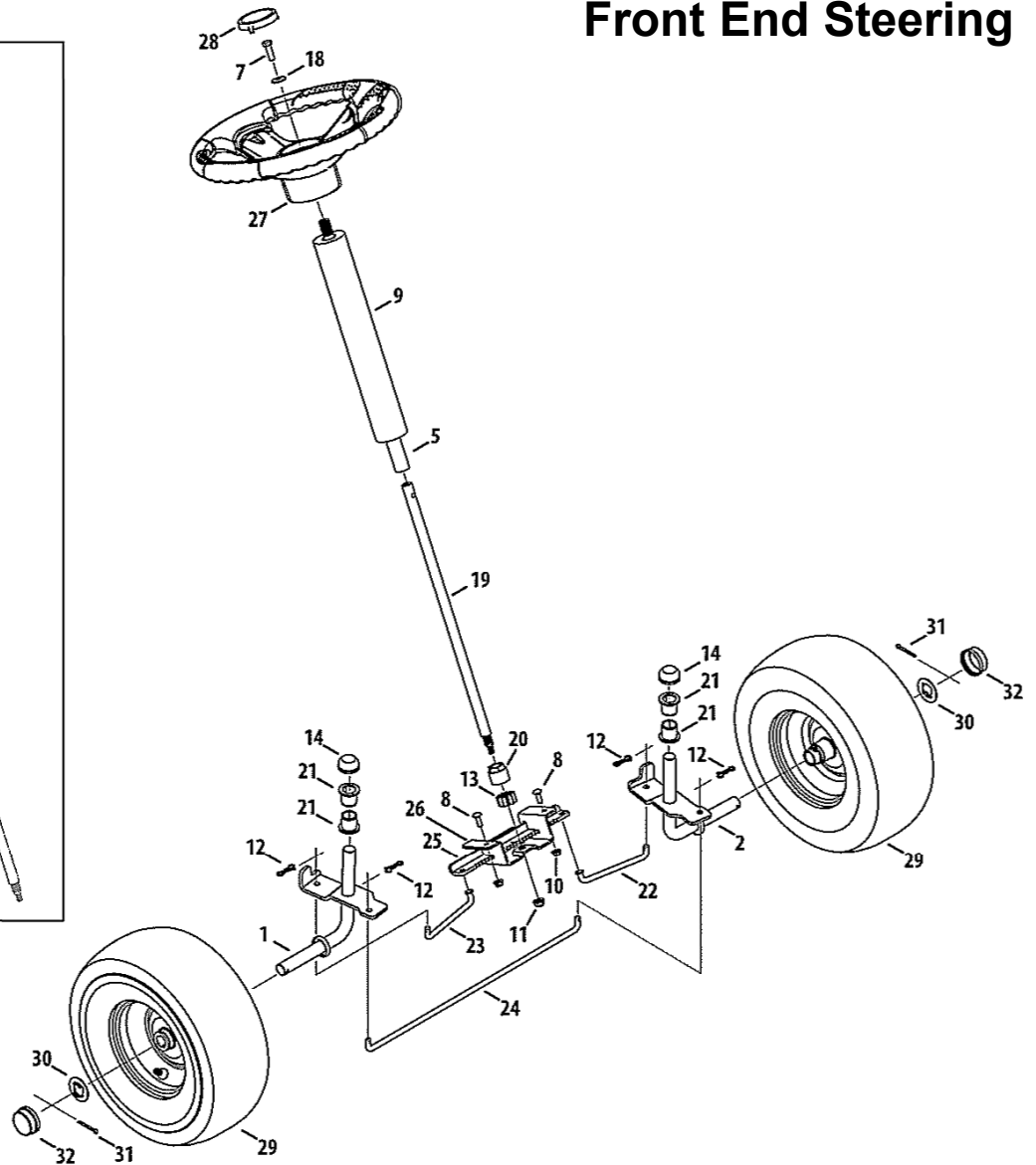
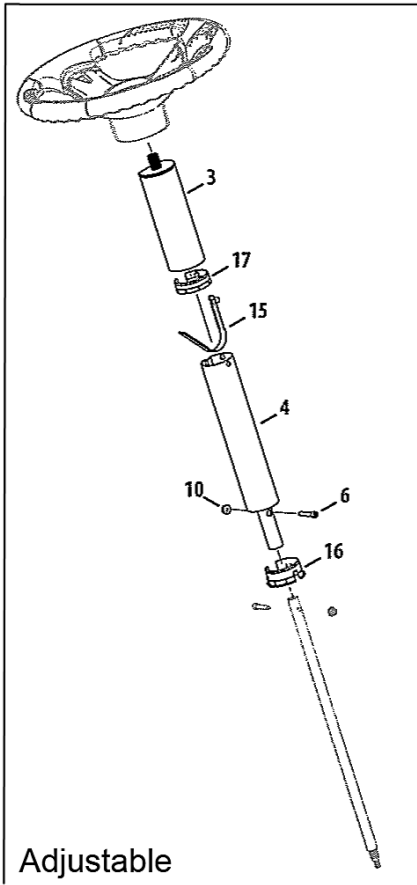


Item	Part No	Description	Qty	Item	Part No	Description	Qty
1	710-0607	Screw, S/Tapping 5/16-18 x .500	1	19	747-06148	Bracket- Battery Retainer	1
2	712-04063	Nut, Flanged/Lock 5/16-18	1	20	925-1745A	Key	1
3	720-04009A	Knob, 3/8-16 x .875 UNC	1	21	683-04754	PTO Handle Assembly	1
4	732-04905	Spring- Compression, Seat	1	22	710-04683A	Screw, S/Tapping 3/8-16 x 1.00	1
5	935-0199A	Bumper- Rubber, 63 dia	1	23	720-04049A	Grip- Handle, 3/8	1
6	938-0140	Spacer, Shoulder	1	24	750-0526	Spacer	1
7	757-04099	Seat- Low Back	1	25	951-04385B	Tank- Fuel, 1.3 Gallon	1
8	783-07213A	Bracket- Seat Pivot	1	26	951-12179B	Cap- Fuel	1
9	710-0227	Screw, #8	1	27	925-1707D	Battery, 155 CCA	1
10	710-04484	Screw, S/Tapping 5/16-18 x .750	1	28	738-1132	Screw, Shoulder .250 x .150	1
11	710-1652	Screw, S/Tapping 1/4-20 x .625	1	29	712-0271	Nut, 1/4-20	1
12	925-04659	Switch- Three Way Key	1	30	712-04064	Nut, Flanged/Lock 1/4-20	1
12a	725-06102B	Switch- Module, Ignition	1	31	725-04439A	Solenoid, 12v	1
13	725-04363	Switch- Interlock	1	32	720-05005	Cap, Vinyl 1.188 x 1.00	1
14	925-05013	Switch- Seat	1	33	946-04829	Throttle Cable Assy	1
15	725-1643	Spring, Switch	1		725-06041	Wiring Harness (Not Shown)	1
16	926-0320	Plate- Insulator	1				
17	738-04237A	Screw, Shoulder #10-32 x .500	1				
18	747-06131A	Rod- Battery Retainer	1				

WHEN ORDERING - PLEASE QUOTE PART NUMBER
In the event that an item is not available, please contact Customer Services



Front End Steering

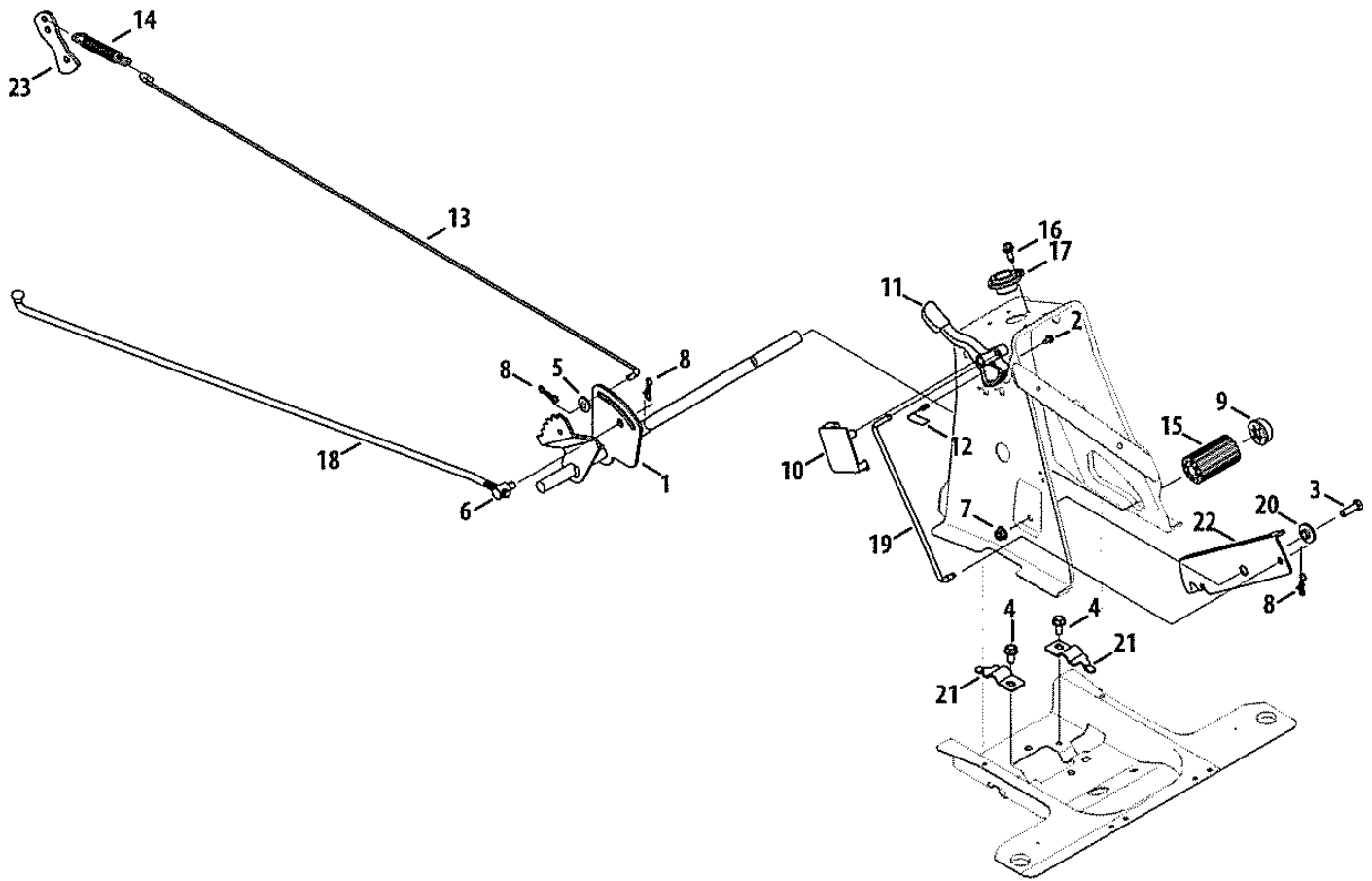


Item	Part No	Description	Qty	Item	Part No	Description	Qty
1	683-04726	Front Axle Assembly- RH	1	17	731-08691	Collar- Upper Steering	1
2	683-04727	Front Axle Assembly- LH	1	18	736-0242	Washer- Bevel	1
3	683-04761	Upper Tube Assembly	1	19	738-04537A	Shaft- Steering, .625 o/dia x 18.03	1
4	683-04762	Lower Tube Assembly	1	20	741-04542A	Bearing- Hex/Flanged	1
5	983-04763	Tube Assembly, Non Adjustable	1	21	741-0660A	Bearing- Flanged	1
6	738-05000	Screw, Shoulder 1/4-20	1	22	747-05514	Rod- Steering, LH	1
7	710-0643	Screw, Hex 5/16-18 x 1.00	1	23	747-05585	Rod- Steering, RH	1
8	710-0703	Screw, Carriage 1/4-20 x .750	1	24	747-06027	Tie Rod- Front	1
9	723-04095A	Sleeve- Steering	1	25	783-06988A	Plate- Steering Rack	1
10	712-04064	Nut, Flange/Lock 1/4-20	1	26	783-07239A	Bearing- Steering, Lower	1
11	712-04065	Nut, Flange/Lock 3/8-16	1	27	631-04028	Steering Wheel- Standard Grip	1
12	714-04040	Pin- Cotter, Bow Tie	1	28	731-04039	Cap- No Spring	1
13	717-1554	Gear- Pinion, Steering	1	29	Not Stocked	Wheel assembly	1
14	726-0341	Cap- Push-On	1	30	736-04228A	Washer, .781 x 1.59	1
15	726-04127	Snap Butt	1	31	714-0162	Pin- Cotter, 5/32 x 1.25	1
16	731-08690	Collar- Lower Steering	1	32	931-0484A	Hub Cap	1

WHEN ORDERING - PLEASE QUOTE PART NUMBER
In the event that an item is not available, please contact Customer Services



Pedal Controls

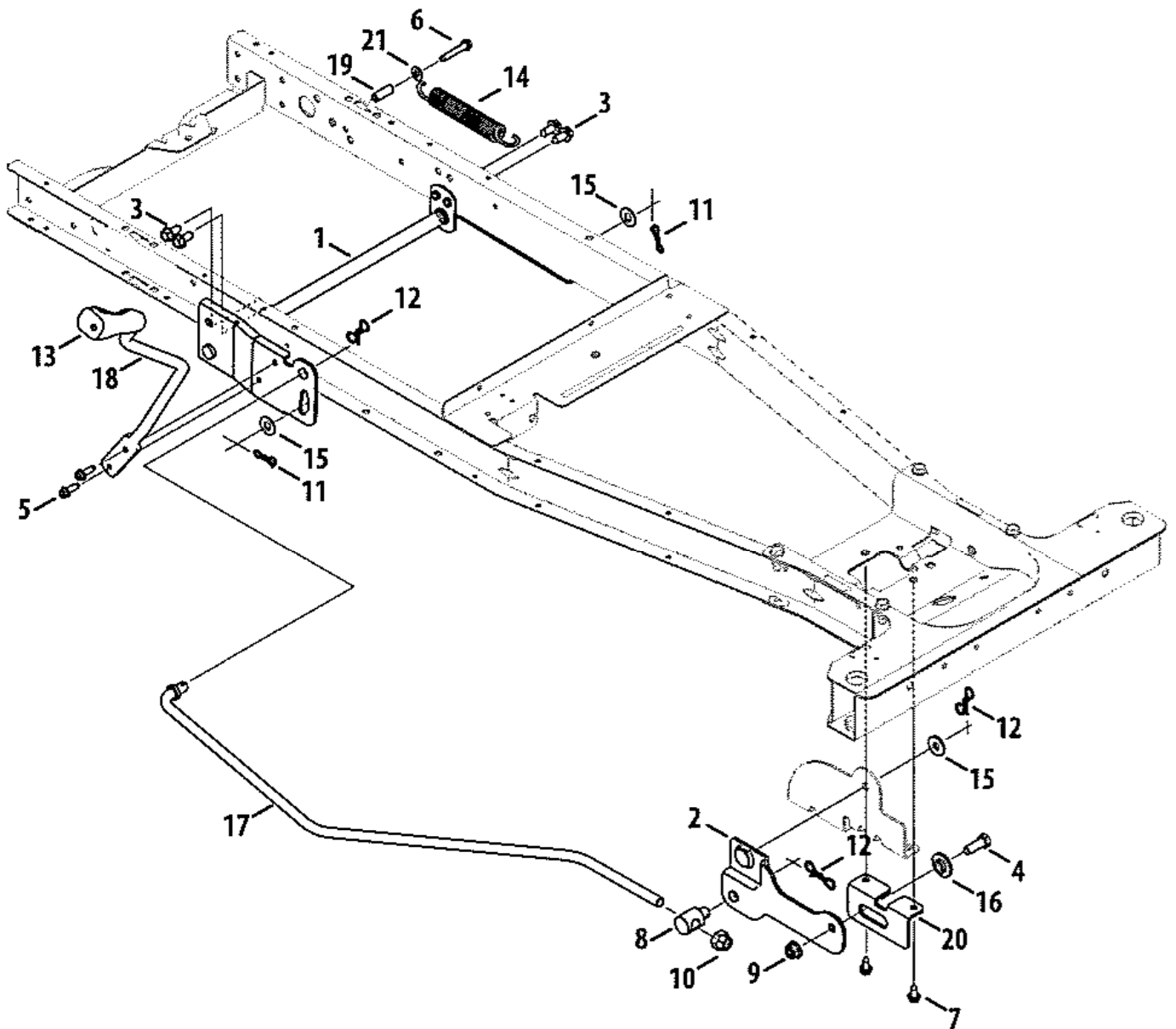


Item	Part No	Description	Qty	Item	Part No	Description	Qty
1	683-05017	Brake Pedal Assembly	1	13	747-06033A	Rod- Brake	1
2	910-0224	Screw, #10-16 x .500	1	14	732-0716D	Spring- Tension	1
3	710-0376	Screw, Hex 5/16-18 x 1.00	1	15	735-04279	Pad- Foot Pedal. 2.5"	1
4	710-04484	Screw, S/Tapping 5/16-18 x .750	1	16	738-04184A	Screw, Shoulder 1/4-20	1
5	936-0264	Washer, Flat .330 x .630 x .064	1	17	741-0356A	Bearing- Steering Column	1
6	711-06103	Ferrule, 3/8-24 x .375	1	18	747-05506	Rod- Variable Speed Control	1
7	712-04063	Nut, Flange/Lock 5/16-18	1	19	747-06015	Rod- Speed Selector Control	1
8	714-04040	Pin- Cotter, Bow Tie	1	20	748-0234	Spacer- Shoulder	1
9	726-0214	Cap- Push On	1	21	783-05940	Strap- Bracket, Pedal Support	1
10	731-08656A	Cover- Speed Control	1	22	683-05157	Bracket- Speed Latch	1
11	731-08743B	Lever- Speed, 6 Speed	1	23	717-0772B	Bracket- Brake Lever	1
12	732-04937	Shift Spring	1				

WHEN ORDERING - PLEASE QUOTE PART NUMBER
In the event that an item is not available, please contact Customer Services



Deck Lift

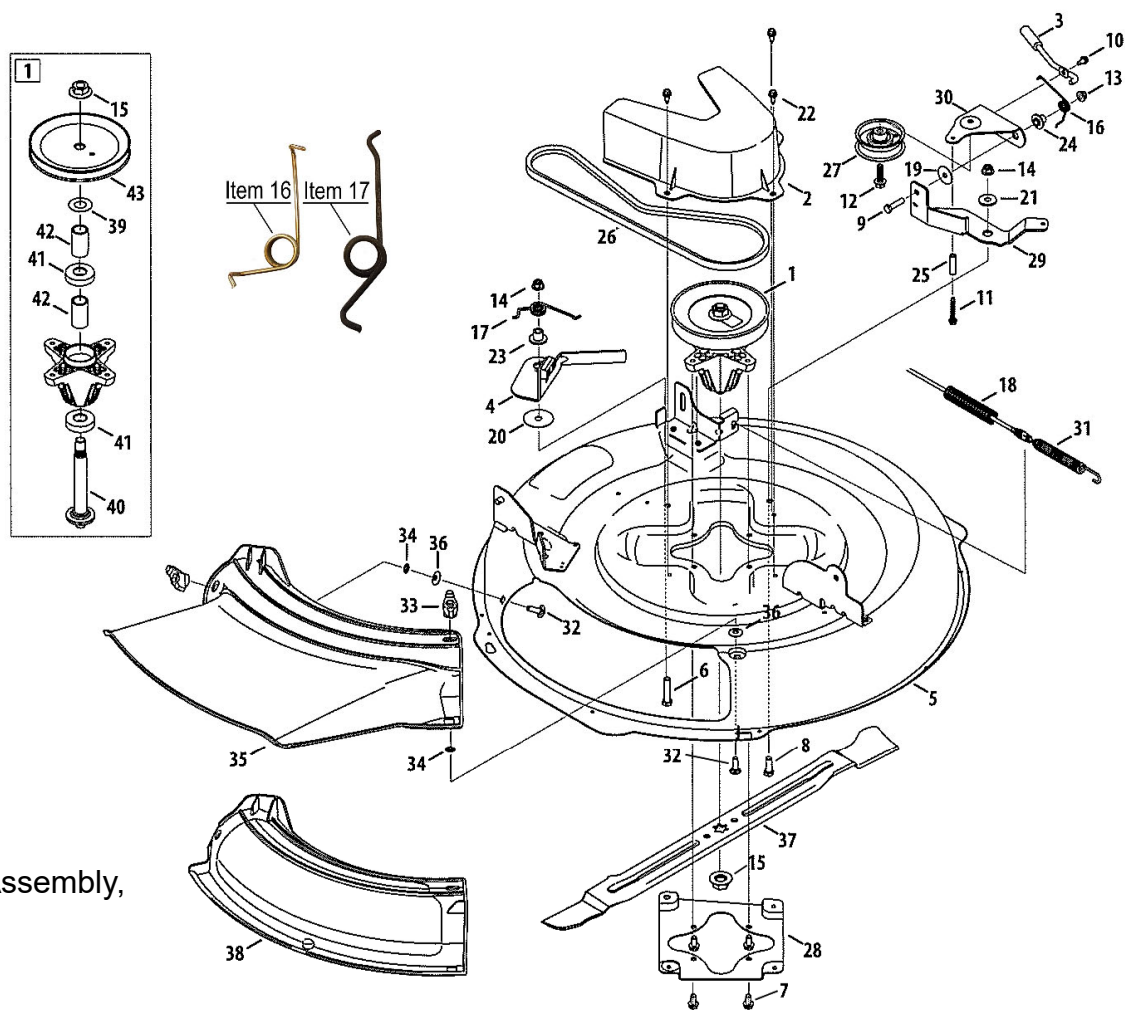


Item	Part No	Description	Qty	Item	Part No	Description	Qty
1	683-05060	Shaft- Lift Assembly	1	11	714-04040	Pin- Cotter, Bow Tie 72	1
2	683-04757	Bracket- Assembly, Front Hanger	1	12	714-04043	Pin- Cotter, Bow Tie 91	1
3	710-04484	Screw, S/Tapping 5/16-18 x .750	1	13	720-0311	Grip- Handle, 1/2"	1
4	710-0514	Screw, Hex 3/8-16 x 1.00	1	14	732-04692	Spring- Tension, .85 o/dia x 5.915	1
5	710-0642	Screw, S/Tapping 1/4-20 x .750	1	15	936-0300	Washer, Flat .406 x .875 x .059	1
6	710-0778	Screw, 1/4-20 x 1.50	1	16	938-0347	Spacer, Shoulder .625 i/dia x .169	1
7	710-1652	Screw, S/Tapping 1/4-20 x .625	1	17	747-05511	Rod, Lift Link	1
8	711-05690C	Ferrule, .50 x .50	1	18	747-05576	Rod, Deck Lift	1
9	712-04065	Nut, Flanged/Lock 3/8-16	1	19	750-0566A	Spacer, .260 x .375 x 1.030 long	1
10	712-05046	Nut, Hex/Lock 1/2-13	1	20	783-07129	Bracket- Deck, Front Mounting	1
				21	936-0463	Washer, Flat .250 x .630 x .052	1

WHEN ORDERING - PLEASE QUOTE PART NUMBER
In the event that an item is not available, please contact Customer Services



Deck 30"

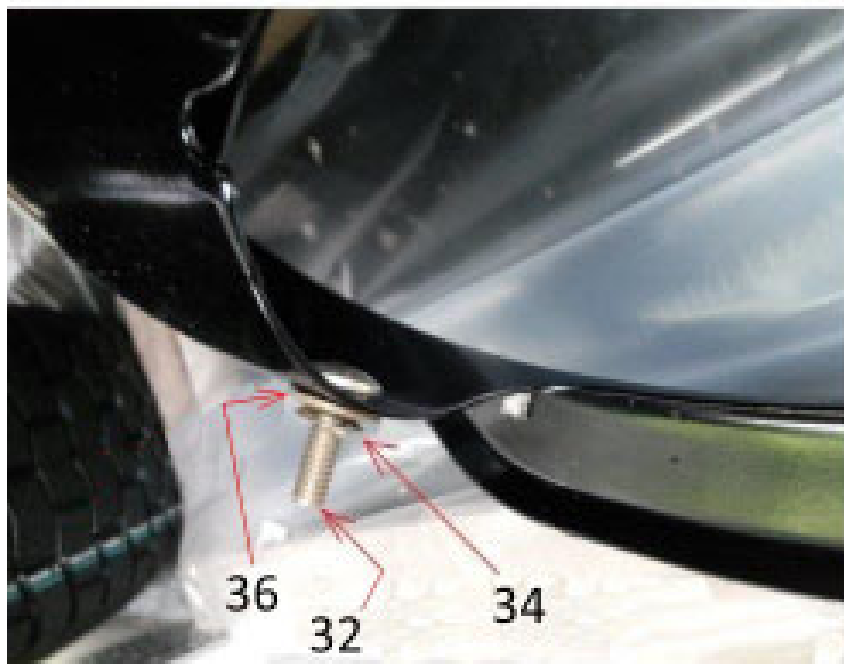


Mulching Plug Assembly,
refer to page 10

Item	Part No	Description	Qty	Item	Part No	Description	Qty
1	918-04822A	Spindle Assy- Pulley, 6.3dia	1	23	738-05021	Spacer- Shoulder, .173x .625x .563	1
2	631-05024	Cover- Belt, Deck	1	24	738-05022	Spacer- Shoulder, .134x .500x .438	1
3	647-05028	Idler Rod Assy	1	25	750-04456	Spacer, .260 x .372 x 1.420	1
4	983-05034	Brake Assy, PTO Bracket	1	26	954-05001	Belt-V, 43.5L	1
5	983-05040A	Deck, 30"	1	27	756-04224	Pulley- Idler, Flat 2.75 o/dia	1
6	710-0347	Screw, Hex 3/8-16 x 1.75	1	28	783-08047A	Bracket- Spindle Support, Deck	1
7	710-1260A	Screw, S/Tapping 5/16-18 x .75	1	29	783-08128	Bracket- Idler, Lower Floating	1
8	710-0514	Screw, Hex 3/8-16 x 1.00	1	30	783-08226	Bracket- Idler, Upper Floating	1
9	710-0528	Screw, Hex 5/16-18 x 1.25	1	31	946-04802A	Cable- PTO	1
10	710-0599	Screw, S/Tapping 1/4-20 x .50	1	32	710-04998	Screw, Carriage 5/16-18 x 1.00	1
11	710-1026	Screw, S/Tapping 1/4-20 x 1.75	1	33	720-04122	Knob- Wing, 5/16-18 UNC	1
12	710-1315	Screw, S/Tapping 3/8-16 x 1.25	1	34	726-0201	Nut; Speed 5/16" ID Twisted	1
13	712-04063	Nut, Flanged/Lock 5/16-18	1	35	731-10267	Deflector- Chute	1
14	712-04065	Nut, Flanged/Lock 3/8-16	1	36	736-0242	Washer, Bevel .340 x .872 x .060	1
15	712-0417A	Nut, Flanged 5/8-18	1	37	942-04385	Blade-Cutting, 3n1 30"	1
16	732-05045	Spring- Torsion, PTO	1	38	731-09312	Plug- Mulching, 30"	1
17	732-05046	Spring- Torsion, Brake	1	39	936-0351	Washer, Shim .760 x 1.50 x .030	1
18	732-0583	Spring- Compresn, .625 o/dia x 4.0	1	40	738-1186A	Shaft- Spindle, 6.11 long	1
19	736-0362	Washer, Flat .330 x 1.250 x .060	1	41	941-0919B	Bearing, .787 i/d x 1.85 o/d x .551	1
20	736-3040	Washer, Flat .406 x 1.920 x .060	1	42	750-04936	Spacer, .792 x 1.060 x 1.86 long	1
21	938-0347	Spacer- Shoulder, .625 i/dia x .169	1	43	956-1227	Pulley- Deck, 6.3 dia	1
22	738-04184A	Screw, Shoulder 1/4-20	1				



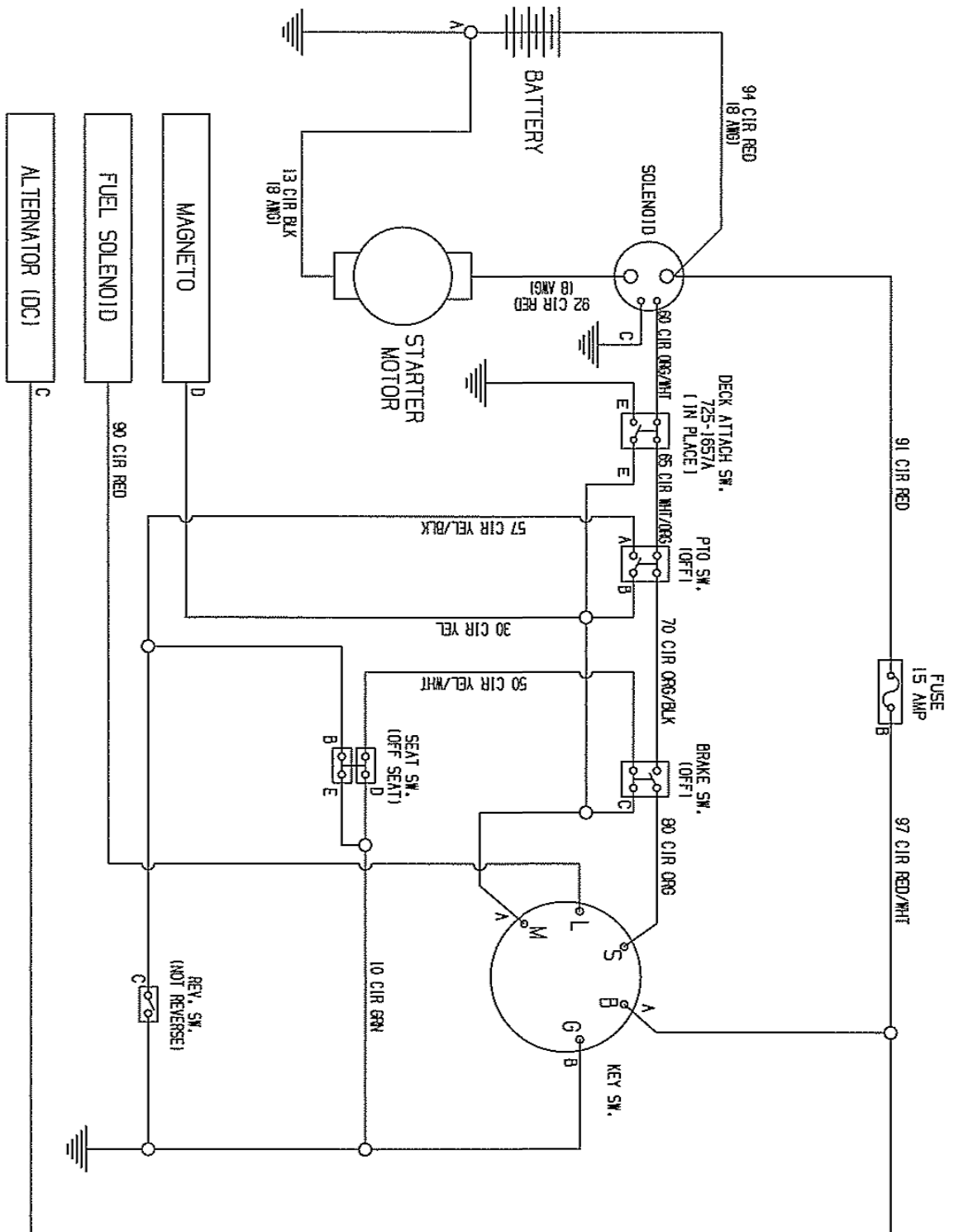
Mulching Plug Assembly



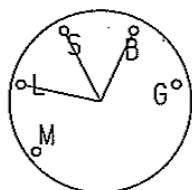
32	710-04998	Screw, Carriage 5/16-18 x 1.00	1
33	720-04122	Knob- Wing, 5/16-18 UNC	1
34	726-0201	Nut; Speed 5/16" ID Twisted	1
36	736-0242	Washer, Bevel .340 x .872 x .060	1
38	731-09312	Plug- Mulching, 30"	1



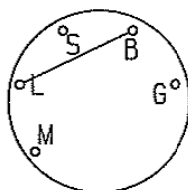
Wiring Harness Schematic 725-06041



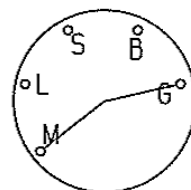
START
B+S+L



RUN
B+L

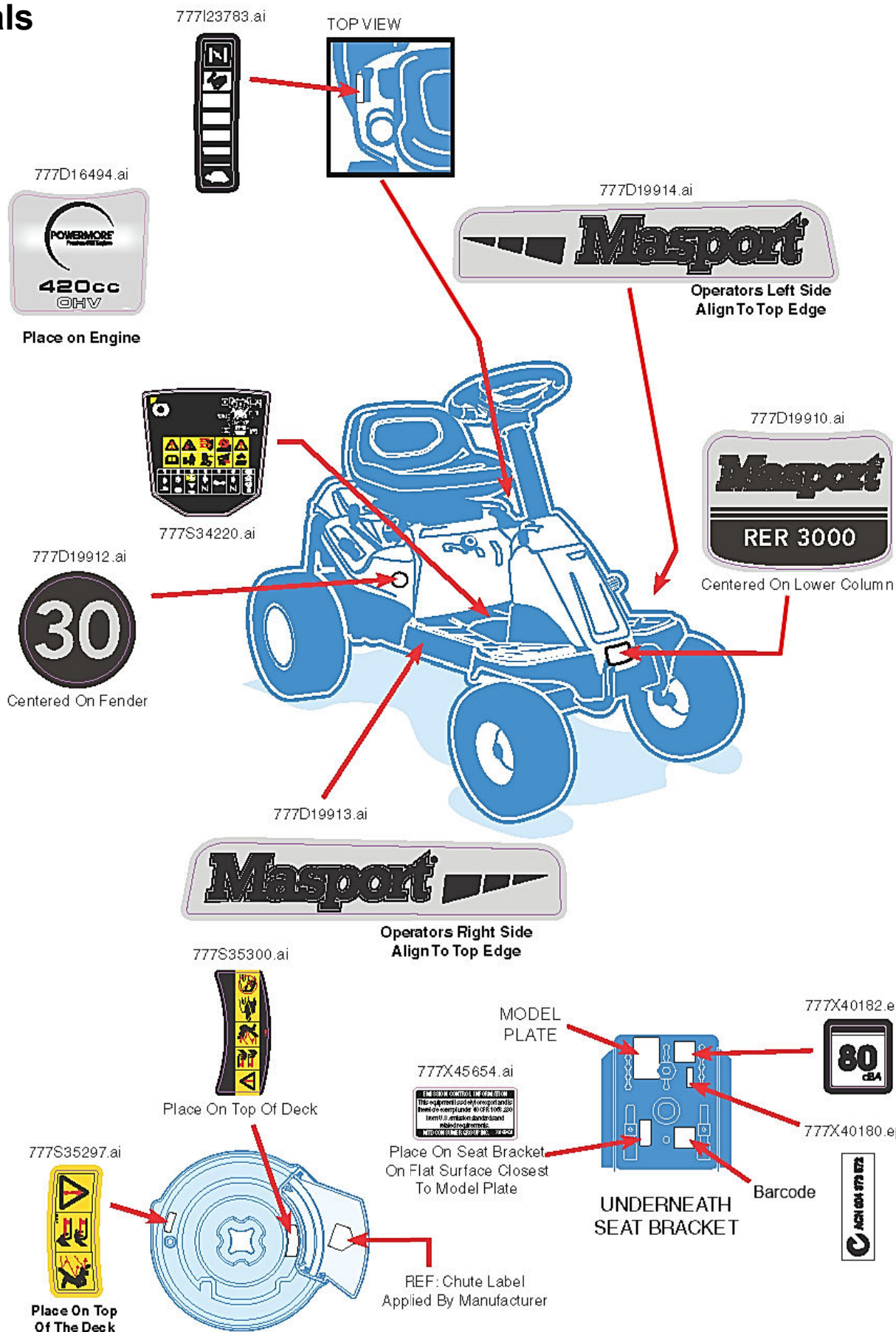


OFF
G+M





Decals



WHEN ORDERING - PLEASE QUOTE PART NUMBER
In the event that an item is not available, please contact Customer Services