

Masport®

RIDE ON MOWERS
552925
17.5/42SD A4200



Issue A.2
ECN 12481
June 2021 PB
Ref # 752925



Contents

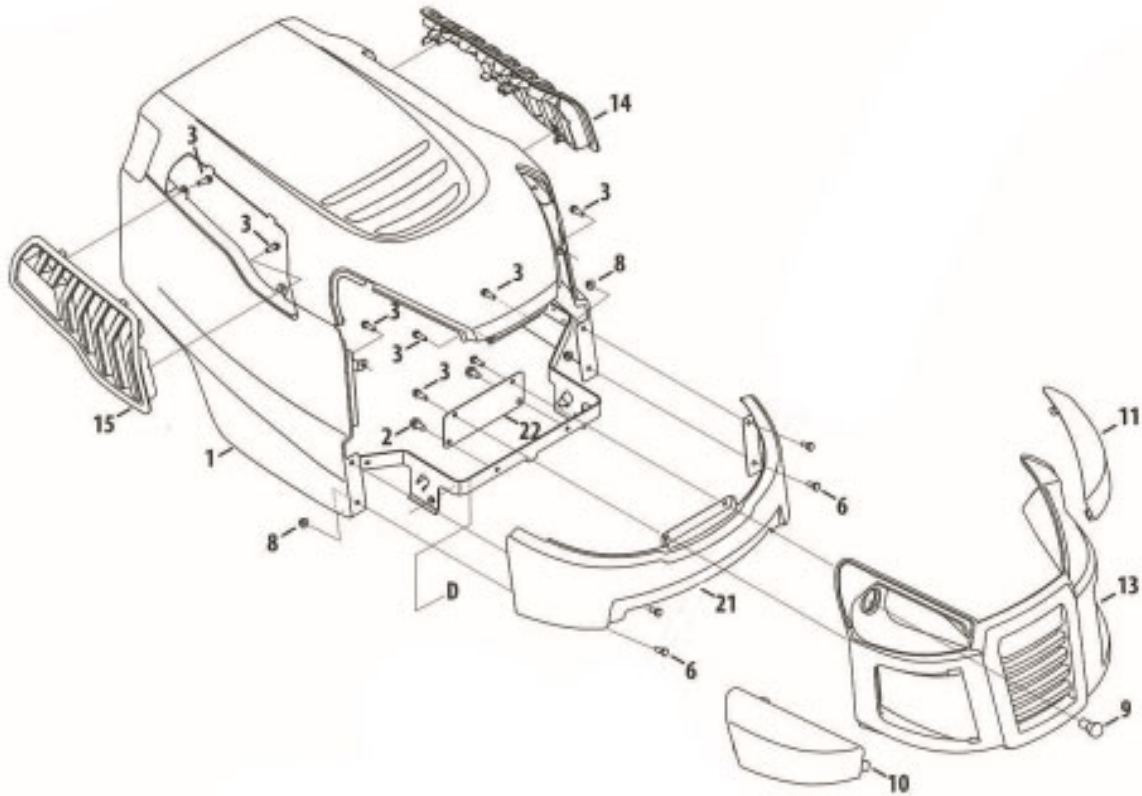
Hood- Style 2	Page 3
Dashboard & Fuel Tank	Page 4
Frame and PTO Lift	Page 5
Front End Steering	Page 6
Seat and Fender	Page 7
Drive and Rear Wheels	Page 8 & 9
42" Cutting Deck	Page 10 & 11
Electrical Schematic (Elec. PTO).	Page 12
Decal Map	Page 13
Engine Accessories, B&S Intek	Page 14

Accessories available for this Ride On:

Plug- Mulch, 42" G420	631-05195A
Wing Nut	720-04122



Hood

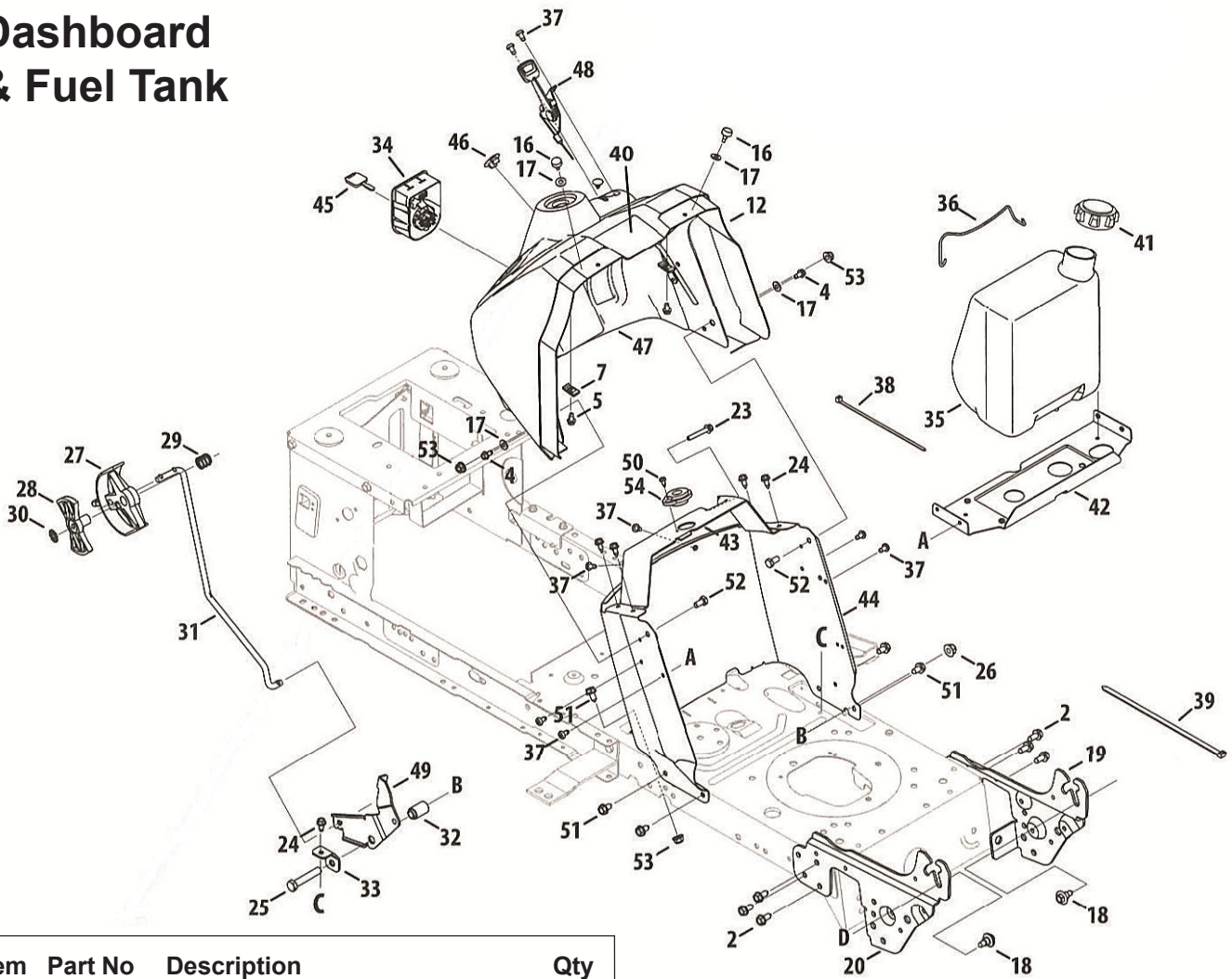


Item	Part No	Description	Qty
1	683-04619A	Hood	1
6	710-0751	Screw- Hex; 1/4-20 x 0.62	4
7	712-0292	Nut- Tin Clip; 1/4-20	1
10	731-07458	Lens- Headlight, RH	1
11	731-07459	Lens- Headlight, LH	1
14	731-07711A	Scoop- Hood, LH	1
15	731-07712A	Scoop- Hood, RH	1
21	783-06598	Grill, Lower	1
22	783-06610	Bracket, Lower Grill	1
13	931-10940	Grill, Yardworks	1

WHEN ORDERING - PLEASE QUOTE PART NUMBER
In the event that an item is not available, please contact Customer Services



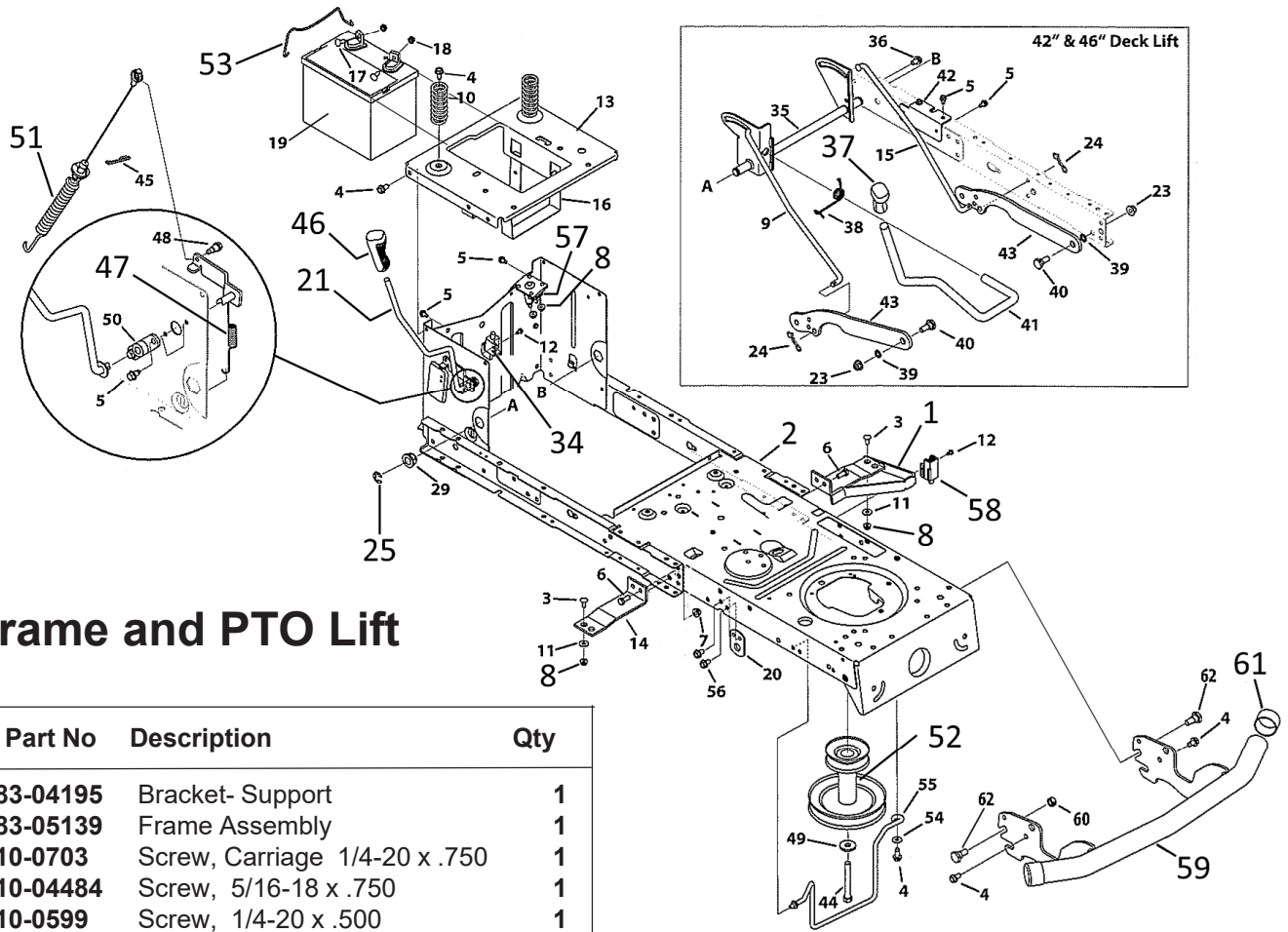
Dashboard & Fuel Tank



Item	Part No	Description	Qty	Item	Part No	Description	Qty
2	710-04484	Screw, 5/16-18 x .750	1	36	683-04448	Rod- Battery Assembly	1
4	710-0599	Screw, 1/4-20 x .500	1	37	710-05070A	Screw, 1/4-20 x .500	1
5	710-0642	Screw, 1/4-20 x .750 Tapping	1	38	725-0157	Cable Tie	1
7	712-0292	Nut- Fastener, 1/4-20	1	39	726-0230	Cable Tie	1
12	731-07460A	Collar- Dash	1	40	925-06170	Meter- Hour	1
16	735-0271A	Bump On	1	41	751-0603A	Cap- Fuel	1
17	936-0463	Washer, Flat .250 x .630 x .052	1	42	783-07083	Support Bracket- Fuel Tank	1
18	738-04091A	Screw, Shldrd 5/16-18 x .43 x .29	1	43	783-06785C	Bracket- Steering Support	1
19	783-05327B	Bracket- Left Support, Pivot	1	44	783-06811D	Dash- Lower	1
20	783-05328A	Bracket- Right Support, Pivot	1	45	925-1745A	Key	1
23	710-0778	Screw, 1/4-20 x 1.5 Hex Washer	1	46	731-05265	Plug- Choke	1
24	710-1652	Screw, 1/4-20 x 0.625 Tapping	1	47	931-08426C	Dash- Upper	1
25	710-3144	Screw, 3/8-16 x 2.0 Hex	1	48	746-04367	Throttle/Choke Cable	1
26	712-04065	Nut, 3/8-16 Flangelock	1	49	683-04766	Speed Latch - RMC	1
27	731-07885B	Lever- Shift	1	50	910-0224	Screw, #10-16 x .500	1
28	731-07966A	Index Control, Park	1	51	710-0604A	Screw, 5/16-18 x .625	1
29	732-04877	Spring- Compression, .72 OD x .78	1	52	710-3025	Screw, 5/16-18 x .625	1
30	736-3006	Washer, 1/4 Locking	1	53	712-04063	Nut, 5/16-18 Flangelock	1
31	747-05398	Rod- Speed Control	1	54	741-0587	Bearing, .628 id x 1.36	1
32	750-04465C	Spacer- Flanged, .390x.671x1.095	1		925-06314	Harness, LT-5, RMC, HM	
33	783-06823	Bracket- Speed Latch	1				
34	925-06119B	Module- Key Switch	1				
35	751-0555B	Fuel Tank, 1.5 Gallon	1				

WHEN ORDERING - PLEASE QUOTE PART NUMBER

In the event that an item is not available, please contact Customer Services



Frame and PTO Lift

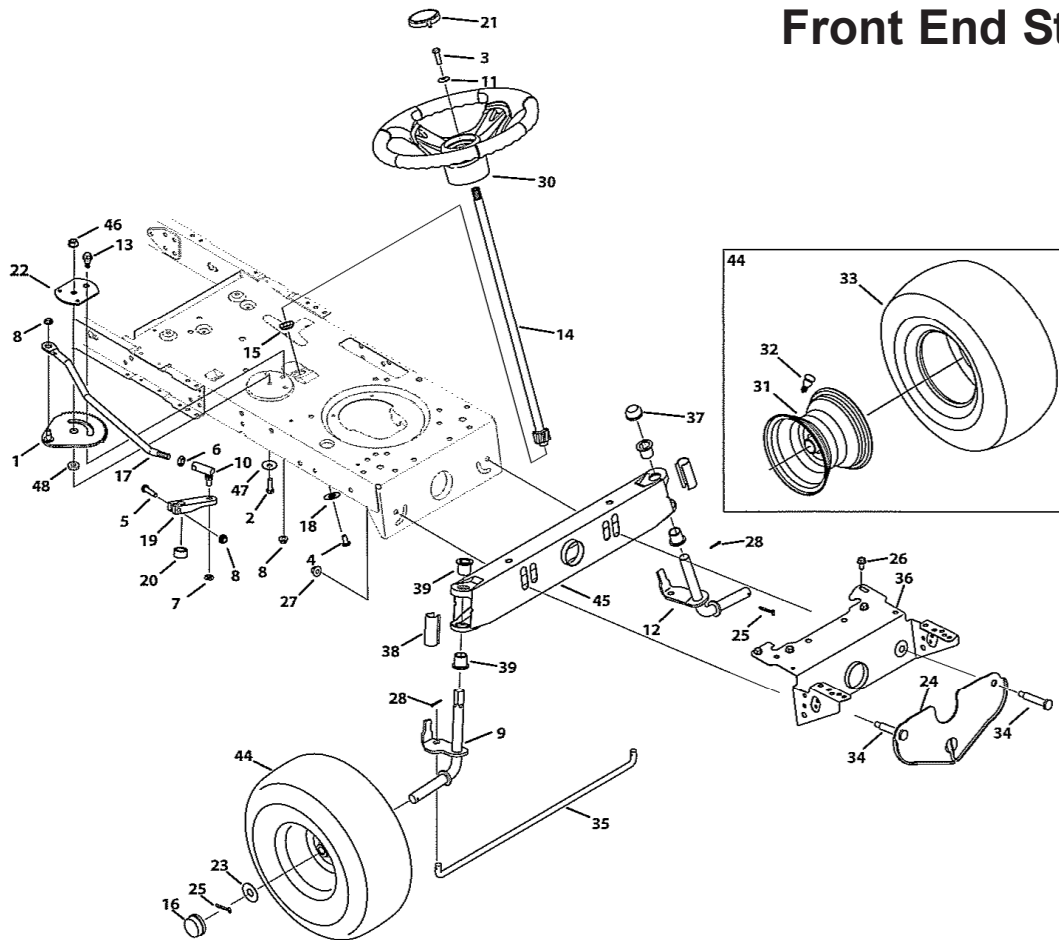
Item	Part No	Description	Qty
1	683-04195	Bracket- Support	1
2	683-05139	Frame Assembly	1
3	710-0703	Screw, Carriage 1/4-20 x .750	1
4	710-04484	Screw, 5/16-18 x .750	1
5	710-0599	Screw, 1/4-20 x .500	1
6	710-3008	Screw, Hex 5/16-18 x .750	1
7	712-04063	Nut- Flanged, Locking 5/16-18	1
8	712-04064	Nut; UNC 1/4 Hex Nyloc Flanged	1
9	747-06237A	Rod- Lift, RH	1
10	732-0735A	Spring- Compression, 1.314 x 2.55	1
11	736-0173	Washer- Flat, .28 x .74 x 0.63	1
12	738-04237A	Spacer- Shoulder, 10-32 x .500	1
13	783-04548D	Bracket- Frame,Seat	1
14	783-04637	Bracket- Running Board	1
15	747-06253	Rod- Lift, RH	1
16	783-04869A	Bracket- Battery	1
17	710-04666	Screw- Hex,Flanged 1/4-20 x .750	1
18	712-0271	Nut, Locking 1/4-20	1
19	925-1707D	Battery- 230 CCA	1
20	783-04536B	Bracket- Support	1
21	647-05041	PTO Handle Assembly	1
23	712-04065	Nut- Locking, Flanged 3/8-16	1
24	714-04040	Bow Tie- Cotter Pin, 72	1
25	716-0106A	"E" Ring	1
29	941-0225	Bearing- Hex, Flanged	1
34	725-04363	Switch Interlock	1
35	683-04334	Assembly- Lift, 46"	1
36	710-0604A	Screw, 5/16-18 x .625	1
37	720-0298	Handle Grip, 5/8"	1
38	732-04438	Spring- Torsion, Handle 46"	1
39	936-0140	Washer, Flat .385 x .620 x .063	1
40	938-0380	Bolt- Shouldered, 3/8-16 x .5 x .27	1

Item	Part No	Description	Qty
41	747-04653A	Handle- Lift, 46"	1
42	783-05389A	Bracket- Frame Brace	1
43	783-0678C	Link- Deck Lift	1
44	710-3157A	Screw, Hex 7/16-20 x 3.25	1
45	914-0145	Pin- Click, .092 x 1.64	1
46	720-04049A	Handle Grip, 3/8"	1
47	732-05376	Spring- Extension, PTO	1
48	738-04425	Bolt-Shouldered,1/4-20x .342x .335	1
49	736-0322	Washer- Flat, .450 x 1.250 x .164	1
50	741-04119A	Bearing- PTO	1
51	946-05124A	Cable- Deck Engage, 42" & 46"	1
52	756-04196A	Pulley- Engine; 3.39 x 6.12	1
53	683-04448	Clamp Rod- Battery	1
54	936-0300	Washer- Flat, .406 x .875 x .059	1
55	747-04857	Belt Keeper- 42"	1
56	750-0956	Spacer- 1.010 x 1.400 x .825	1
57	725-06153	Solenoid, 12v 100 A 4Term Tang	1
58	925-04039	Switch- Screw Mount Interlock	1
59	683-04219B	Bumper Assembly, Universal	1
60	912-3000	Nut- Locking, 3/8-16	1
61	731-05674	Cap- Bumper	1
62	738-0143	Bolt-Shouldered, .496x .336 3/8-16	1

WHEN ORDERING - PLEASE QUOTE PART NUMBER
In the event that an item is not available, please contact Customer Services



Front End Steering

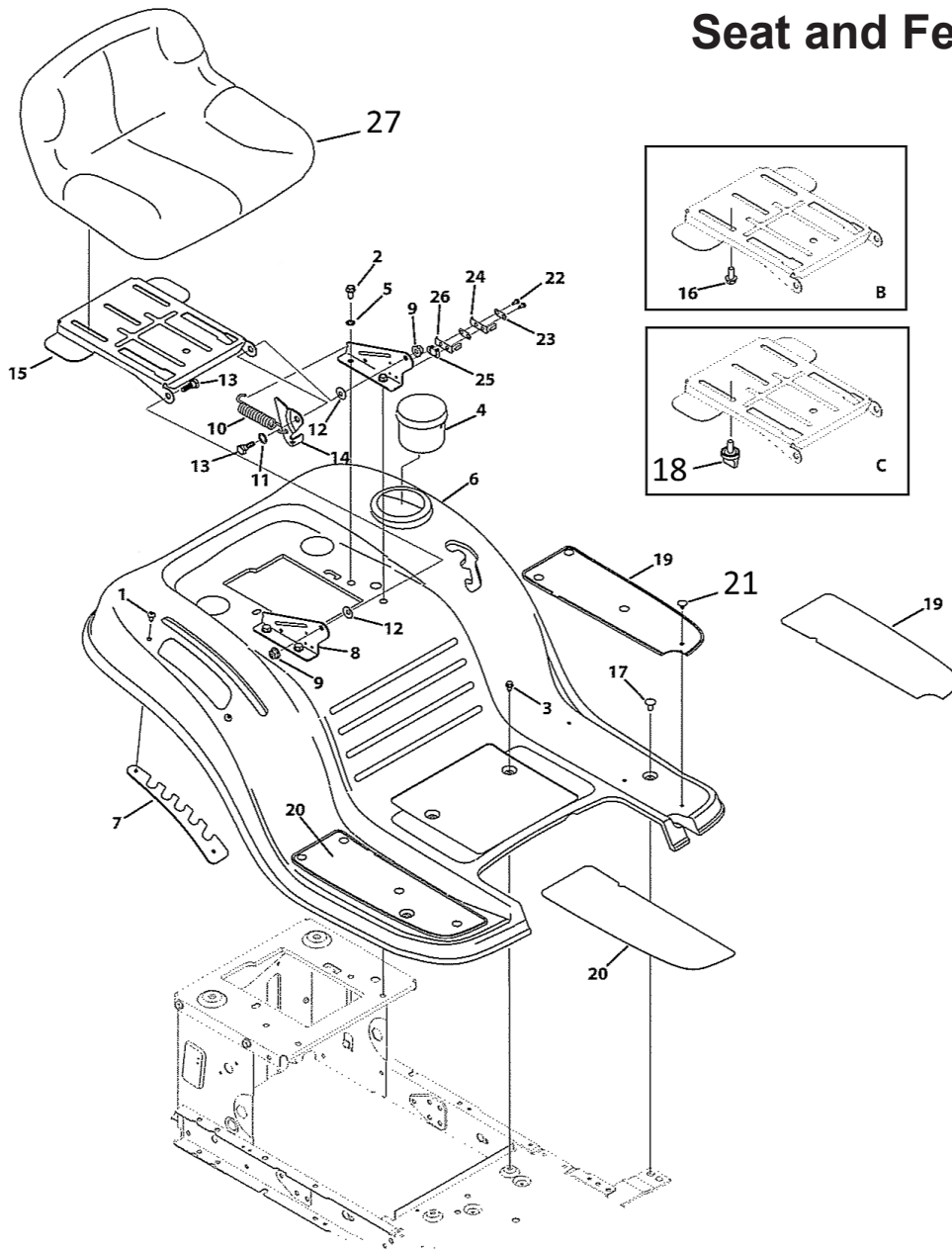


Item	Part No	Description	Qty	Item	Part No	Description	Qty
1	617-04094	Gear Assembly, Front Steering	1	25	714-0162	Pin- Cotter, 5/32 x 1.25	1
2	710-0514	Screw, Hex 3/8-16 x 1.00	1	26	710-04484	Screw, 5/16-18 x .750	1
3	710-0643	Screw, Hex/Lock 5/16-18 x 1.00	1	27	712-04065	Nut, Flanged/Lock 3/8-16	1
4	710-1309	Screw, 5/16-18 x .750	1	28	914-0474	Pin- Cotter, .125 x .75	1
5	710-3180	Screw, Hex 5/16-18 x 1.75	1	29	919-04177C	Pivot Axle- Cast	1
6	912-0240	Nut, Lock 7/16-20	1	30	631-04028	Steering Wheel	1
7	912-0214	Nut, Lock 3/8-24	1	31	554753	Rim Assembly, 6.0 x 4.5 S/White	1
8	712-04063	Nut, Flanged/Lock 5/16-18	1	32	934-0255	Valve- Air, Tubeless	1
9	638-04008P	Axle- Front, RH	1	33	554772	Tyre- 15 x 6 x 6	1
10	923-0448A	Ball Joint, 7/16-20	1	34	738-04128	Bolt, Shoulder 3/8-16	1
11	736-0242	Washer- Bell, .340 x .872 x .060	1	35	747-04299A	Rod- Fixed	1
12	938-04007A	Axle- Front, LH	1	36	783-04601C	Bracket- Pivot Bar	1
13	738-04141	Bolt, Shoulder 5/16-18	1	37	726-0341	Cap- Push On, 3/4	1
14	938-05078	Shaft- Steering, 5/8	1	38	731-04057A	Cap- Axle, Standard	1
15	941-04124	Bearing- Flanged, 5/8	1	39	741-0660A	Bearing, Flanged .760 x .941 x 1.0	1
16	931-0484A	Cap- Hub	1	40	726-04035	Nut- Push, 3/4	1
17	747-05385A	Rod- Steering Link	1	41	731-04693	Cap- Hub	1
18	948-0389	Cap, 1.25 x .16	1	42	936-0316	Washer, Flat .78 x 1.59 x .060	1
19	748-04278	Block- Clamping, Steering	1	43	748-04068	Spacer, .71 x .125 x .56	1
20	748-04068	Spacer, .71 x .125 x .56	1	44	548590	Wheel Assy- Front 38/42R O/Gray	1
21	731-04039	Cap	1	45	638-0128B	Pivot Axle	1
22	783-08577	Plate- Stabilizer	1	46	912-0431	Nut, Flanged/Lock 3/8-16	1
23	736-04228A	Washer, Flat .781 x 1.590	1	47	736-0331	Washer, Bell	1
24	783-04568	Bracket- Hanger, Front Deck	1	48	750-06192A	Spacer, .38 i/dia x .854 o/dia x .22	1

WHEN ORDERING - PLEASE QUOTE PART NUMBER
In the event that an item is not available, please contact Customer Services



Seat and Fender 42"

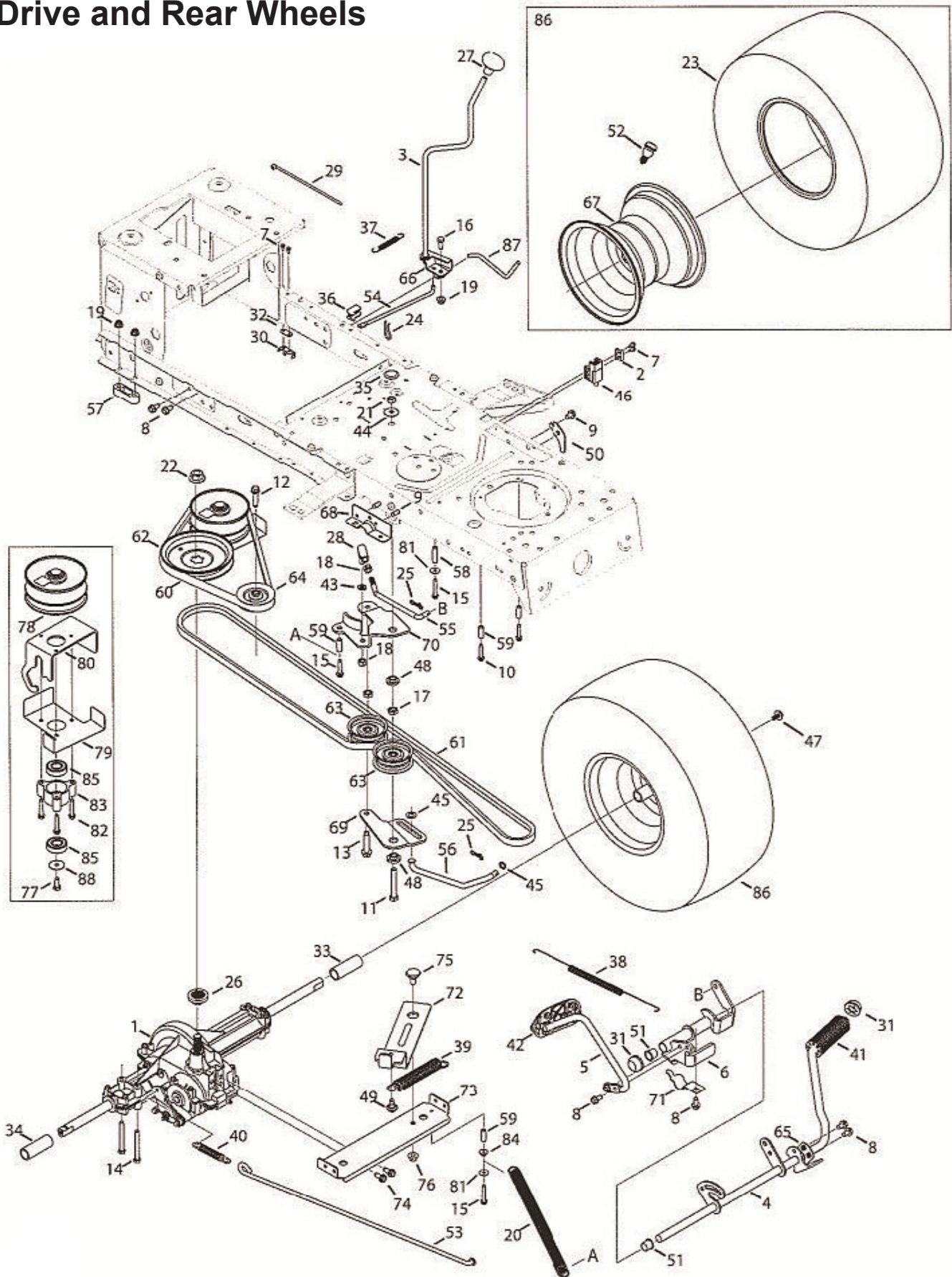


Item	Part No	Description	Qty	Item	Part No	Description	Qty
1	710-05070A	Screw, 1/4-20 x .500	1	15	783-04081D	Bracket- Seat Mounting	1
2	710-04484	Screw, 5/16-18 x .750	1	16	710-04482	Screw, Hex 3/8-16 x .875	1
3	710-0599	Screw, Pan Hd Torx 1/4-20 x .500	1	17	710-0134	Screw, Carriage 1/4-20 x .620	1
4	731-04591A	Holder- Cup	1	18	720-04061	Knob, 3/8" x .875	1
5	736-0607	Washer, Lock 5/16	1	19	723-04026	Pad- Foot, LH Abrasive	1
6	783-04587D	Fender (Single Speed)	1	20	723-04025	Pad- Foot, RH Abrasive	1
7	783-04843	Bracket- Lift Adjuster	1	21	726-3046	Clip- Ratchet, .250 x .500	1
8	783-1489D	Bracket- Seat Mount	1	22	710-0227	Screw, 8-18 x .500	1
9	712-04063	Nut- Flange/Lock 5/16-18	1	23	726-0279	Plate- Insulator	1
10	732-1184	Spring- Tension	1	24	925-1308A	Spring- Outer, Seat	1
11	936-0108	Washer, Flat .510 x .750 x .033	1	25	726-0278	Boss- Plate Insulator	1
12	736-0242	Washer, Bell .340 x .872 x .060	1	26	725-1439	Spring- Inner, Seat	1
13	938-0296	Screw, Shoulder 5/16-18	1	27	757-04099	Seat- Low Back, Black	1
14	783-0209D	Bracket- Seat Lift	1				

WHEN ORDERING - PLEASE QUOTE PART NUMBER
In the event that an item is not available, please contact Customer Services



Drive and Rear Wheels



WHEN ORDERING - PLEASE QUOTE PART NUMBER
In the event that an item is not available, please contact Customer Services

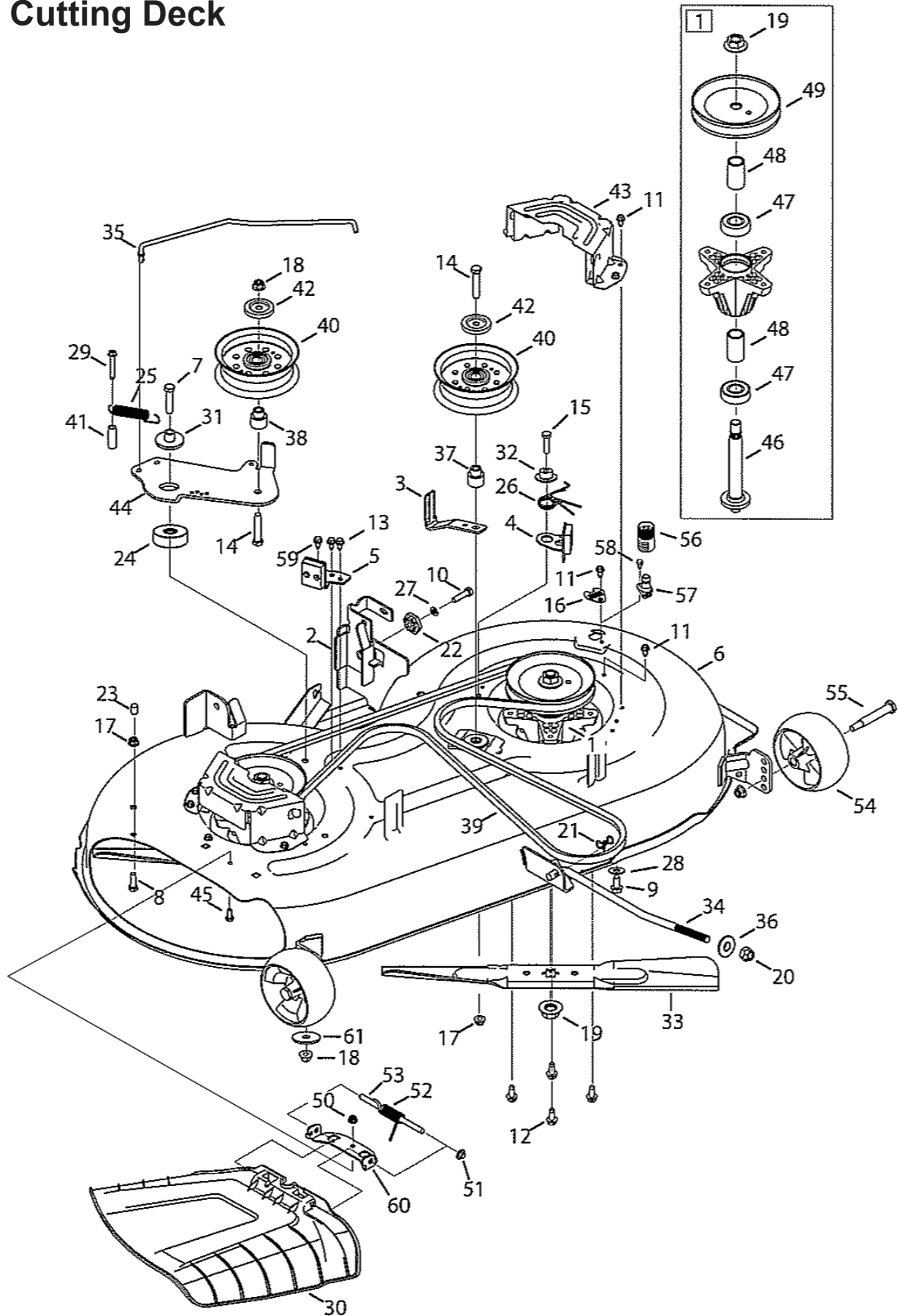


Drive and Rear Wheels Parts List

Item	Part No	Description	Qty	Item	Part No	Description	Qty
1	918-04566A	Transmission Drive Assembly	1	51	741-0495	Bearing- Flngd, .63id x.695od x.60	1
2	17962	Switch- Plate	1	52	934-0255	Valve- Air (tubeless)	1
3	647-04266	Shift- Lever Assembly	1	53	747-05188	Rod- Brake	1
4	947-04201A	Pedal Assembly- Drive	1	54	747-05243	Rod- Shift, 46"	1
5	647-04203A	Pedal Assembly- Control	1	55	747-05596	Rod- Adjustment, Idler	1
6	683-04736	Pedal Bracket Assembly	1	56	747-05415	Rod- Transmission Bypass	1
7	710-0227	Screw, 8-10:0.500	1	57	948-0334	Spacer, T-Axle .68	1
8	710-04484	Screw, 5/16-18 x .750	1	58	750-04456	Spacer, .260 x .372 x 1.420	1
9	710-0604A	Screw, 5/16-18 x .625	1	59	750-0566A	Spacer, .260 x .375 x 1.030	1
10	710-0809	Screw, 1/4-20 x 1.250	1	60	954-04208A	Belt-V, 5L:40.9	1
11	710-0859	Screw, Hex 3/8-16 x 2.5	1	61	954-0467A	Belt-V, 5L:90.93	1
12	710-1007	Screw, 3/8-16 x 1.5	1	62	956-04002	Pulley-V; 7.25 dia	1
13	710-1858A	Screw, 3/8-16 x 1.75	1	63	756-04224	Pulley- Idler; Flat 2.75 o/d	1
14	710-1266	Screw, Hex 5/16-18	1	64	756-04325	Pulley- Idler; V-Type 3.06	1
15	710-1026	Screw, 1/4-20 x 1.75	1	65	783-04536B	Bracket- Pedal Support	1
16	710-3008	Screw, Hex 5/16-18 x .75	1	66	783-04595A	Bracket- Shaft Adjustment	1
17	912-0240	Nut- Locking, 7/16-20	1	67	554754	Rim Assembly; Rear, G380 S/Wht	1
18	712-0241	Nut- Hex, 3/8-24	1	68	783-06562A	Bracket- Frame, Pedal RH	1
19	712-04063	Nut- Flanged, 5/16-18	1	69	783-06769	Bracket- Centre Idler	1
20	732-05186	Spring- Extension; 1.0 o/d x 11.125	1	70	783-06592A	Bracket- Idler	1
21	912-3000	Nut, 3/8-16, Centerlock	1	71	783-06641A	Bracket- Pedal Support	1
22	712-0700	Nut- Flanged, 9/16-18	1	72	753-06662	Bracket- Idler Assembly	1
23	554508	Tyre- Rear Only; 20 x 8 x 8	1	73	683-04606	Bracket- Assembly	1
24	914-0209	Pin- Cotter, INT- .125 dia	1	74	710-1260A	Screw, 5/16-18 x 0.750	1
25	714-04040	Bow Tie- Cotter Pin, 72	1	75	738-0322A	Screw- Shoulder, .625dia x .217	1
26	718-04407	Hub- Pulley; 5/8 Spline	1	76	712-04065	Nut- Locking/Flanged 3/8-16	1
27	720-04028	Knob- Shift	1	77	710-0627	Screw, Hex 5/16-24 x .750	1
28	923-3018	Ball Joint	1	78	956-04015A	Pulley- Assembly, Variable Speed	1
29	725-0157	Tie- Cable; 7"	1	79	683-04522	Belt Keeper Assembly	1
30	725-1644	Spring- Short, Switch	1	80	683-04612	Bracket- Assembly	1
31	726-0214	Cap- Push; 5/8	1	81	736-3090	Washer, Flat .260 x .720 x .060	1
32	926-0320	Plate- Insulator	1	82	710-0778	Screw, 1/4-20 x 1.500	1
33	731-04602	Sleeve, .758 x .821 x 3.312	1	83	718-04261	Cup- Bearing	1
34	731-04604	Sleeve, .758 x .821 x 2.437	1	84	738-04483	Spacer- Shouldered, .375x .625x .2	1
35	731-06330	Plug- Deck Hole, 7/8"	1	85	941-0600	Bearing- Ball type 17 x 40 x 12	1
36	731-06894	Bearing- Shift Plate	1	86	548591	Wheel Assy, Rear 38/42R O/Gray	1
37	732-04488	Spring- Extension, .38 od x 3.25L	1	87	747-05430	Rod- Spring Retainer	1
38	732-04612	Spring- Extension, .70 od x 12	1	88	736-0362	Washer, Flat .330 x 1.25 x .06 HT	1
39	732-04616B	Spring Extension, .97 od x 6.18L	1				
40	732-0716D	Spring Extension, 59 od x 4.00L	1				
41	735-0239	Foot Pad- 4"	1				
42	735-04272	Control Pad	1				
43	936-0169	Washer- Locking , 3/8	1				
44	736-3040	Washer- Flat, .406 x 1.920 x .060	1				
45	936-0185	Washer- Flat, .375 x .738 x .063	1				
46	725-04363	Switch- Interlock	1				
47	710-05339A	Screw, 5/16-24 x .750	1				
48	738-0372B	Spacer- Shoulder, 1.00 x .38 x .38	1				
49	738-04091A	Screw-Shoulder, .43x .29x 5/16-18	1				
50	783-06807A	Plate- Pedal, Stop	1				



42" Cutting Deck



WHEN ORDERING - PLEASE QUOTE PART NUMBER

In the event that an item is not available, please contact Customer Services

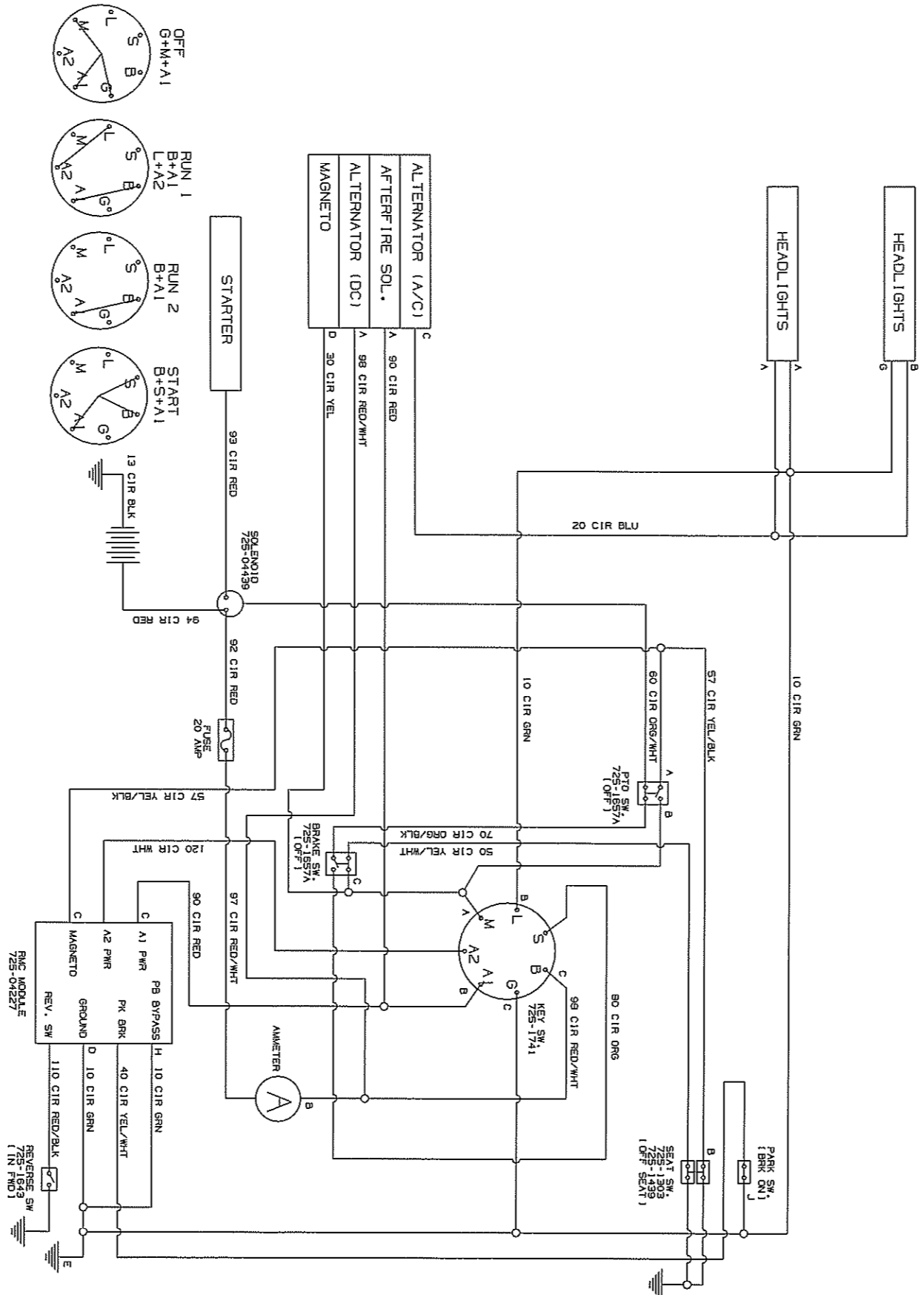


42" Cutting Deck Parts List

Item	Part No	Description	Qty	Item	Part No	Description	Qty
1	918-06991	Spindle Assembly- Pulley, 6.2"	1	51	726-04009	Cap- Push On	1
2	683-0254B	Bracket-Deck Hanger, LH	1	52	732-05261	Spring- Torsion, .440 id x 1.75	1
3	783-08690	Belt Keeper, Deck 42"	1	53	747-06290B	Pin- Hinge	1
4	983-05183	Brake Assembly- Deck, LH	1	56	921-04041	Nozzle Adapter- Deck Wash	1
5	983-05182	Brake Assembly- Deck, LH	1	57	731-07487	Nozzle- Deck Wash	1
6	983-05185	Deck Assembly- 24" (w/out wheels)	1	58	783-04278	Screw, Shouldered 1/4-20 x 0.50	1
7	710-0347	Screw, Hex 3/8-16 x 1.75	1	59	738-04184A	Screw, Shoulder 1/4-20	1
8	710-0376	Screw, Hex C/Head 5/16-18x 1.00	1	60	738-08504A	Bracket- Chute, 42"	1
9	710-04484	Screw, S/Tapping 5/16-18x .750	1	61	936-3039	Washer- Flat, .406 x 1.50 x .105	1
10	710-0528	Screw, Hex 5/16-18, 1.25 GR5	1				
11	710-0599	Screw, S/Tapping 1/4-20x .500	1				
12	710-1260A	Screw, 5/16-18 x .750	1				
13	710-06133	Screw, M6-1 x .625	1				
14	710-3096	Screw, Hex 3/8-16 x 2.00 GR8	1				
15	710-06213	Screw, Hex C/Head 5/16-18x 1.25	1				
16	783-06464	Deck- Wash Plug	1				
17	712-04063	Nut, Flanged/Locking 5/16-18 GRF	1				
18	712-04065	Nut, Flanged/Locking 3/8-16 GRF	1				
19	712-0417A	Nut, Flanged 5/8-18	1				
20	712-04243	Nut, Flanged/Locking 1/2-13	1				
21	714-04043	Cotter Pin- Bow Tie	1				
22	917-04074	Gear- Deck Adjuster	1				
23	720-05010	Cap- .290 x .500	1				
24	750-06184	Spacer, .385 x 1.75 x .585	1				
25	732-04629	Spring- Extension; .750od x 4.77	1				
26	732-05151A	Torsion Spring, LH	1				
27	936-0119	Washer, Locking 5/16	1				
28	936-0300	Washer, Flat .406 x .875 x .059	1				
29	710-0778	Screw, S/Tapping 1/4-20x 1.5	1				
30	631-04354B	Deflector Assembly, Chute 42"	1				
31	738-05082	Spacer- Shoulder, .970 x .190	1				
32	738-05088	Spacer- Shoulder .75 x .145	1				
33	942-04308	Blade-Cut, 2n1 21.23" Econ	1				
34	747-05141B	Rod- Deck Lift, Front 12.7	1				
35	747-06538	Rod- Brake	1				
36	748-04069	Cup- Pivot, Deck Lift	1				
37	748-05029A	Spacer- Shouldered, Idler	1				
38	748-05037B	Spacer- Shouldered, Pivot Idler	1				
39	954-04060C	Belt-V, A Type x 96.5	1				
40	756-05034	Pulley- Idler, 4.50 o/d	1				
41	750-0566A	Spacer- .260 x .375 x 1.030	1				
42	783-08389	Cap- Pulley	1				
43	783-08510	Cover- Belt, 42" Deck	1				
44	783-08654B	Bracket- Idler, 42" Deck	1				
45	710-0751	Screw, Hex C/Head 1/4-20x .62	1				
46	783-1186A	Spindle- Shift, 6.11	1				
47	941-0919B	Bearing, Ball .787id x 1.85 od x .551	1				
48	750-04936	Spacer, .792 x 1.060 x 1.860	1				
49	756-05031	Pulley- Deck, 5.4 dia	1				
50	712-04064	Nut- Flanged, Locking 1/4-20 Nylon	1				



Electrical Schematic

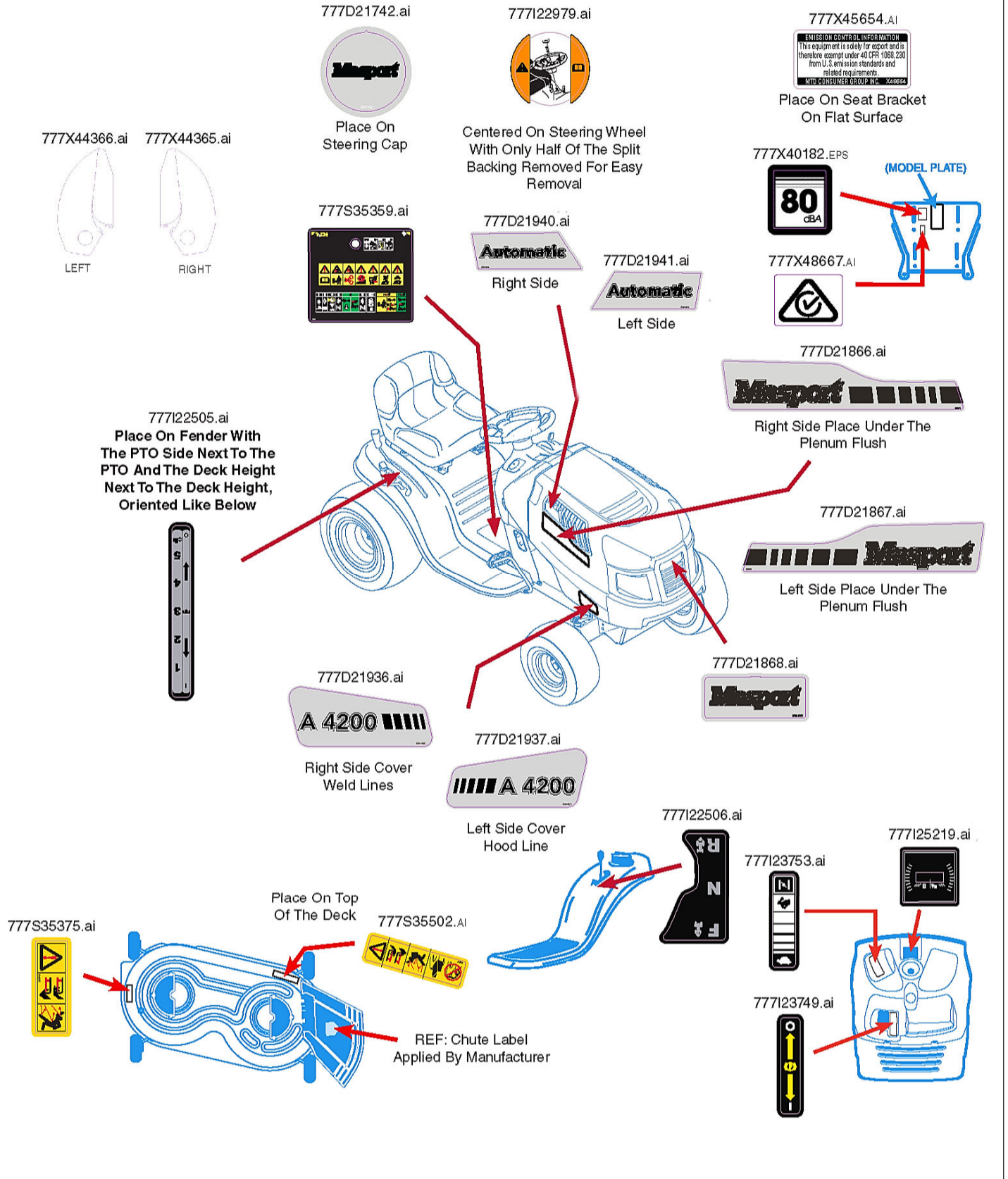


WHEN ORDERING - PLEASE QUOTE PART NUMBER

In the event that an item is not available, please contact Customer Services

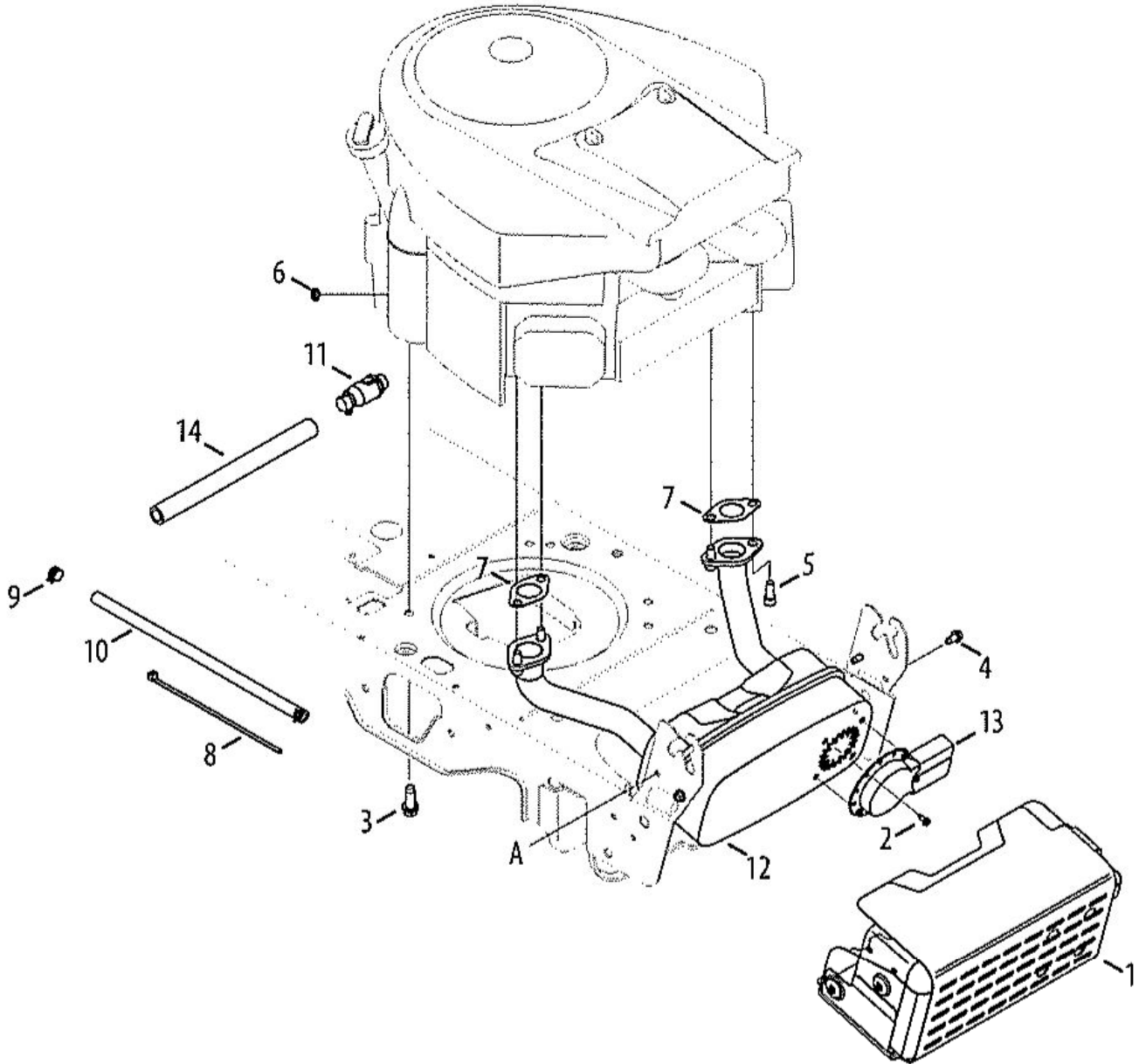


Decal Map





Engine Accessories Twin



Item	Part No	Description	Qty	Item	Part No	Description	Qty
1	683-04549A	Shield Assembly- Muffler	1	10	751-10349	Hose- Fuel, Low Permeation 1/4	1
2	710-0227	Screw, W/Head #8-18 x .500	1	11	951-10517A	Drain- Oil	1
3	710-04683C	Screw, S/Tapping 3/8-16x 1.000	1	12	751-10542A	Muffler- B&S	1
4	710-0642	Screw, S/Tapping 1/4-20x 0.750	1	13	751-11053A	Muffler Deflector- Long	1
5	710-1314A	Screw, Socket Head 5/16-18 .750	1	14	751-3141-14	Hose- Extension, Oil Drain	1
6	712-0271	Nut, Sems 1/4-20	1				
7	721-0460	Gasket- Exhaust, B&S	1				
8	725-0157	Cable Tie- 3/16 x .05 x 7.4	1				
9	726-0205	Clamp- Hose .490 dia	1				

WHEN ORDERING - PLEASE QUOTE PART NUMBER
In the event that an item is not available, please contact Customer Services