

Masport[®]

RIDE ON MOWERS 552986 15.5/38SD G3800

Serial Number Location
Example: 2F024B10079



Issue A.2
ECN 12481
June 2021 PB
Ref # 752986



552986 15.5/38SD G3800
 Powered by: B&S 15.5hp INTEK

Contents

Hood	Page 3
Dashboad & Fuel Tank	Page 4
Frame & PTO Lift	Page 5
Front End Steering	Page 6
Seat & Fender	Page 7
Transmission(Hand Control).-Exploded View	Page 8
Transmission(H/C). Exp View-Top & Parts	Page 9
Transmission(H/C). Exp View-Lower & Parts	Page 10
38" Cutting Deck & Mulch Plug	Page 11
Electrical Schematic (925-04432H)	Page 13
Decal Map	Page 14

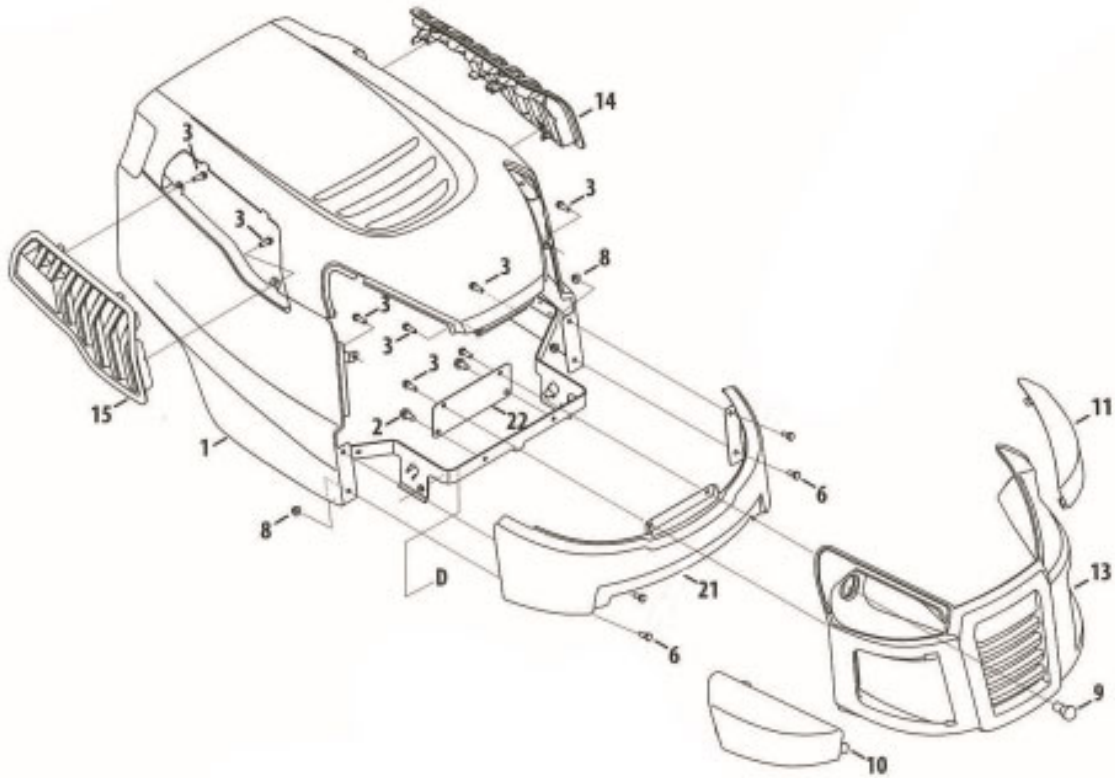
Accessories available for this Ride On:

Catcher Assembly Complete 554521	Page 12
----------------------------------	---------



552986 15.5/38SD G3800
 Powered by: B&S 15.5hp INTEK

Hood



Item	Part No	Description	Qty
1	683-04619A	Hood	1
6	*710-0751	Screw- Hex; 1/4-20 x 0.62	4
7	*712-0292	Nut- Tin Clip; 1/4-20	1
10	*731-07458	Lens- Headlight, RH	1
11	*731-07459	Lens- Headlight, LH	1
14	*731-07711A	Scoop- Hood, LH	1
15	*731-07712A	Scoop- Hood, RH	1
21	*783-06598	Grill, Lower	1
22	*783-06610	Bracket, Lower Grill	1
13	*931-10940	Grill, Yardworks	1

WHEN ORDERING - PLEASE QUOTE PART NUMBER
 In the event that an item is not available, please contact Customer Services

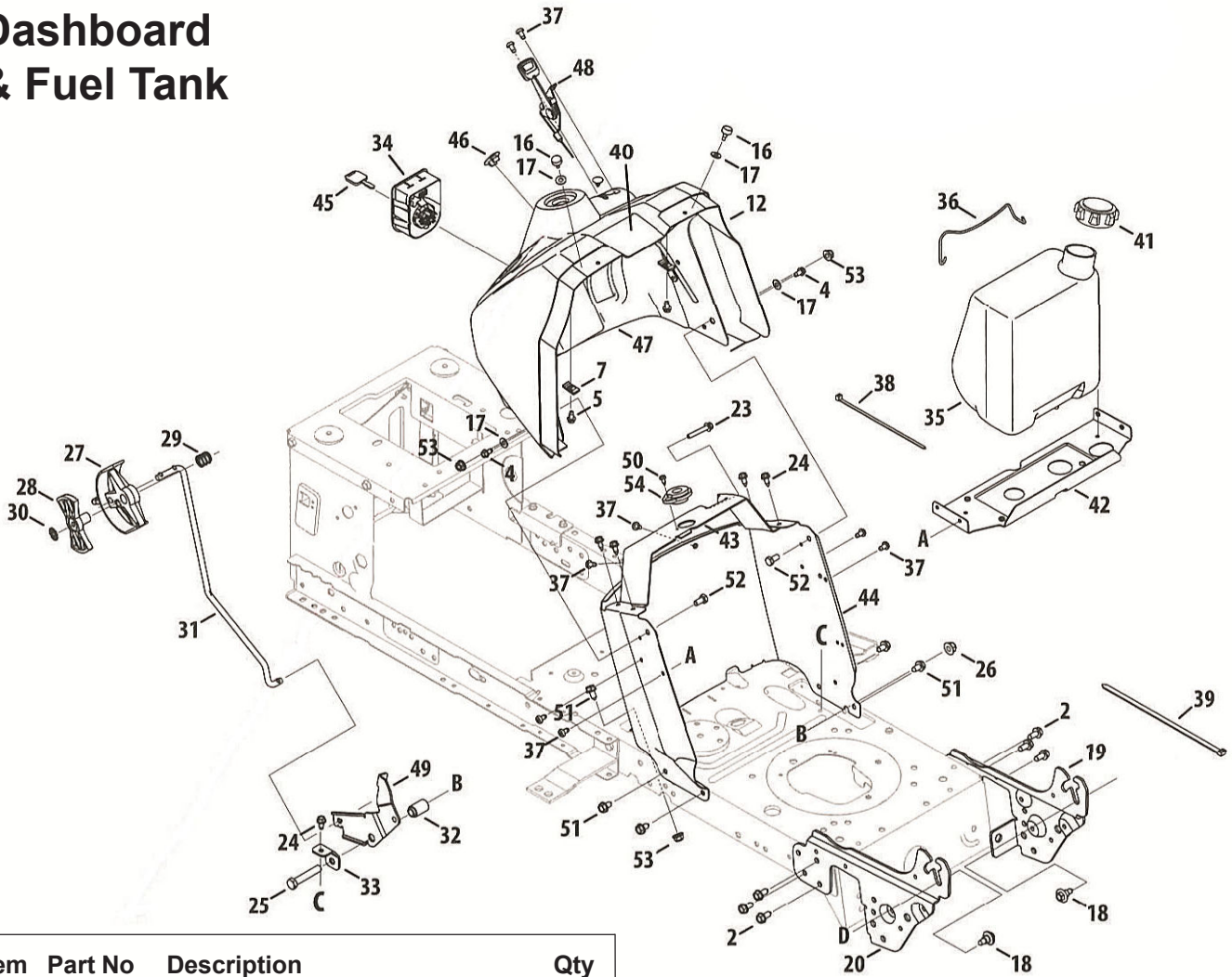


552986 15.5/38SD G3800
Powered by: B&S 15.5hp INTEK

Masport

Issue A.2
ECN 12481
June 2021 PB
Ref # 752986

Dashboard & Fuel Tank



Item	Part No	Description	Qty	Item	Part No	Description	Qty
2	710-04484	Screw, 5/16-18 x .750	1	36	683-04448	Rod- Battery Assembly	1
4	710-0599	Screw, 1/4-20 x .500	1	37	710-05070A	Screw, 1/4-20 x .500	1
5	710-0642	Screw, 1/4-20 x .750 Tapping	1	38	725-0157	Cable Tie	1
7	712-0292	Nut- Fastener, 1/4-20	1	39	726-0230	Cable Tie	1
12	731-07460A	Collar- Dash	1	40	925-06170	Meter- Hour	1
16	735-0271A	Bump On	1	41	751-0603A	Cap- Fuel	1
17	936-0463	Washer, Flat .250 x .630 x .052	1	42	783-07083	Support Bracket- Fuel Tank	1
18	738-04091A	Screw, Shldrd 5/16-18 x .43 x .29	1	43	783-06785C	Bracket- Steering Support	1
19	783-05327B	Bracket- Left Support, Pivot	1	44	783-06811D	Dash- Lower	1
20	783-05328A	Bracket- Right Support, Pivot	1	45	925-1745A	Key	1
23	710-0778	Screw, 1/4-20 x 1.5 Hex Washer	1	46	731-05265	Plug- Choke	1
24	710-1652	Screw, 1/4-20 x 0.625 Tapping	1	47	931-08426C	Dash- Upper	1
25	710-3144	Screw, 3/8-16 x 2.0 Hex	1	48	746-04367	Throttle/Choke Cable	1
26	712-04065	Nut, 3/8-16 Flangelock	1	49	683-04766	Speed Latch - RMC	1
27	731-07885B	Lever- Shift	1	50	910-0224	Screw, #10-16 x .500	1
28	731-07966A	Index Control, Park	1	51	710-0604A	Screw, 5/16-18 x .625	1
29	732-04877	Spring- Compression, .72 OD x .78	1	52	710-3025	Screw, 5/16-18 x .625	1
30	736-3006	Washer, 1/4 Locking	1	53	712-04063	Nut, 5/16-18 Flangelock	1
31	747-05398	Rod- Speed Control	1	54	741-0587	Bearing, .628 id x 1.36	1
32	750-04465C	Spacer- Flanged, .390x.671x1.095	1		925-06314	Harness, LT-5, RMC, HM	
33	783-06823	Bracket- Speed Latch	1				
34	925-06119B	Module- Key Switch	1				
35	751-0555B	Fuel Tank, 1.5 Gallon	1				

WHEN ORDERING - PLEASE QUOTE PART NUMBER

In the event that an item is not available, please contact Customer Services

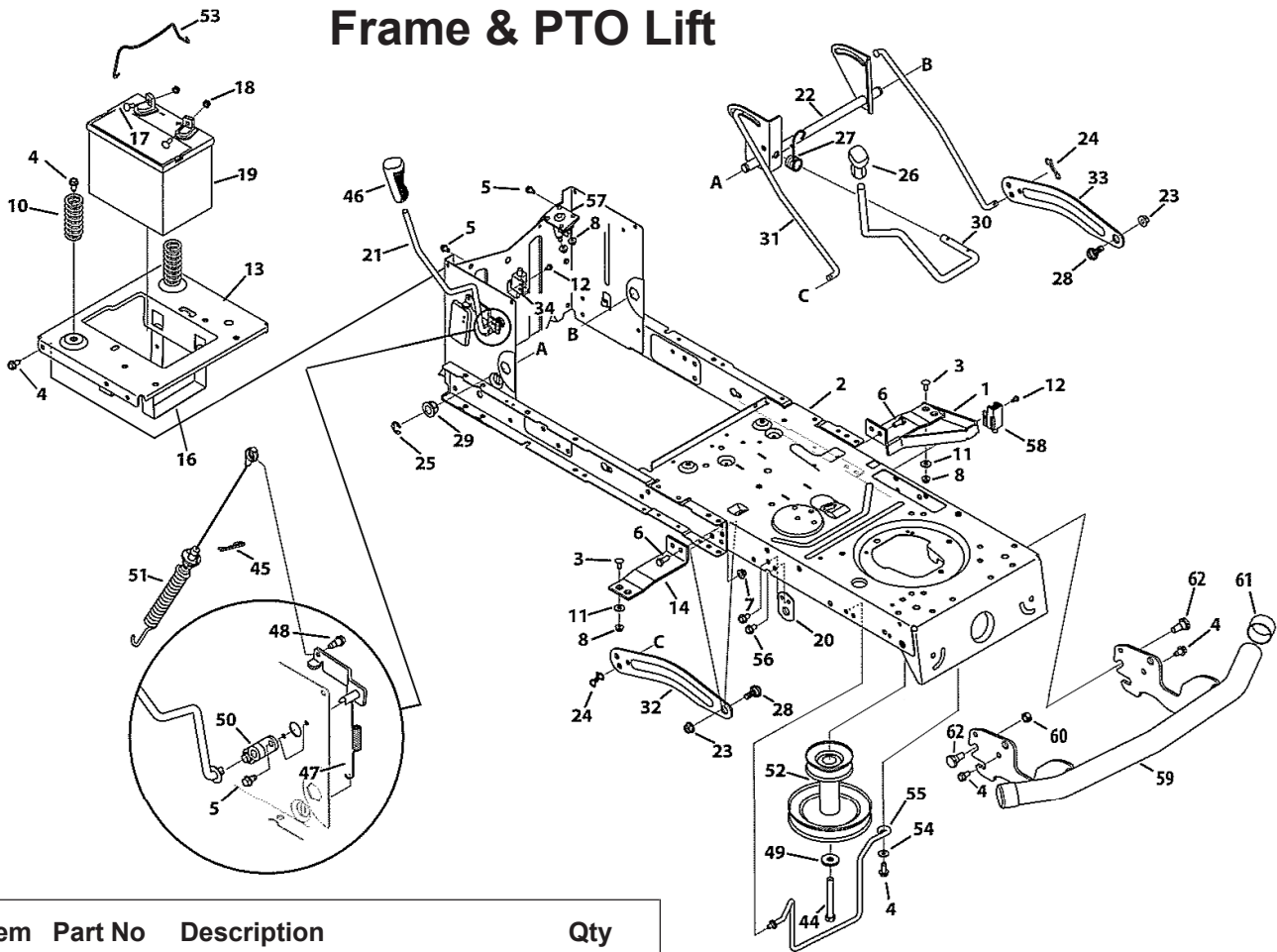


552986 15.5/38SD G3800
Powered by: B&S 15.5hp INTEK

Masport

Issue A.2
ECN 12481
June 2021 PB
Ref # 752986

Frame & PTO Lift



Item	Part No	Description	Qty	Item	Part No	Description	Qty
1	683-04195	Bracket- Support	1	29	941-0225	Bearing- Flanged	1
2	683-05139	Frame- Assembly	1	30	747-04282	Rod- Deck Lift Handle, 38"	1
3	710-0703	Screw, Carriage 1/4-20 x .75	1	31	747-04393	Rod- Lifting	1
4	710-04484	Screw, 5/16-18 x .750	1	32	783-04494C	Arm- Lifting, RH 38"	1
5	710-0599	Screw, 1/4-20 x .500	1	33	783-04711C	Arm- Lifting, LH 38"	1
6	710-3008	Screw, Hex 5/16-18 x .75	1	34	725-04363	Switch, Interlock	1
7	712-04063	Nut, Flanged/Lock 5/16-18	1	44	710-3157A	Screw, Hex 7/16-20 x 3.25	1
8	712-04064	Nut, Flanged/Lock 1/4-20	1	45	914-0145	Clip Pin "R" .092 x 1.64	1
10	732-0735A	Spacer- Compression, 1.314 x 2.55	1	46	720-04049A	Handle- Grip, 3/8	1
11	736-0173	Washer, Flat .28 x .74 x .063	1	47	732-04276A	Spring- PTO, Tension	1
12	738-04237A	Spacer, Shoulder 10-32	1	48	738-04425	Bolt, Shoulder 1/4-28	1
13	783-04548D	Bracket- Seat Frame	1	49	736-0322	Washer, Flat .450 x 1.250 x .164	1
14	783-04637	Bracket- Running Board	1	50	741-04119A	Bearing- PTO	1
16	783-04869A	Bracket- Battery	1	51	946-05140	Deck Engage- Cable Assy, 38"	1
17	710-04666	Screw, Hex 1/4-20 x .75	1	52	756-04196A	Pulley Assy- Engine, 3.39 x 6.12	1
18	712-0271	Nut, Sems 1/4-20	1	53	683-04448	Clamp Rod- Battery,	1
19	925-1707D	Battery 230 CCA	1	54	936-0300	Washer, Flat .406 x .875 x .059	1
20	783-04536B	Bracket- Support	1	55	747-04332A	Belt Keeper- 38"	1
21	647-05041	Handle- PTO Assembly	1	56	710-0604A	Screw, 5/16-18 x .625	1
22	683-04155A	Lift Assembly- 38"	1	57	725-06153	Solenoid, 12v	1
23	712-04065	Nut, Flanged/Lock 3/8-16	1	58	925-04039	Interlock Switch- Screw Mounted	1
24	714-04040	Pin- Cotter, Bow Tie	1	59	683-04219B	Bumper Assembly	1
25	716-0106A	Fastening, "E" Ring	1	60	912-3000	Nut, Locking 3/8-16	1
26	720-0311	Grip- Handle, 1/2	1	61	731-05674	Cap- Bumper	1
27	732-04225	Spring- Torsion	1	62	738-0143	Bolt, Shoulder 3/8-16	1
28	738-04130A	Bolt, Shoulder 3/8-16	1				

WHEN ORDERING - PLEASE QUOTE PART NUMBER

In the event that an item is not available, please contact Customer Services

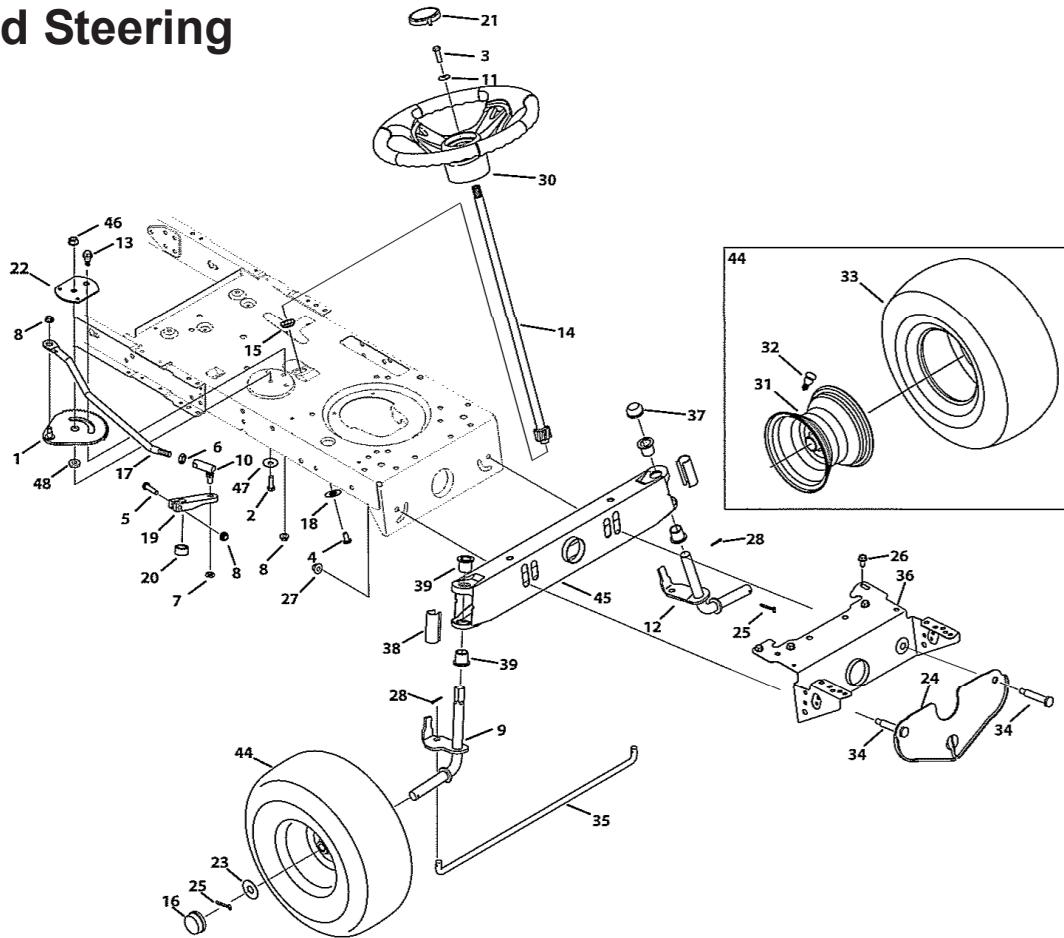


552986 15.5/38SD G3800
Powered by: B&S 15.5hp INTEK

Masport

Issue A.2
ECN 12481
June 2021 PB
Ref # 752986

Front End Steering



Item	Part No	Description	Qty	Item	Part No	Description	Qty
1	617-04094	Gear Assembly, Front Steering	1	25	714-0162	Pin- Cotter, 5/32 x 1.25	1
2	710-0514	Screw, Hex 3/8-16 x 1.00	1	26	710-04484	Screw, 5/16-18 x .750	1
3	710-0643	Screw, Hex/Lock 5/16-18 x 1.00	1	27	712-04065	Nut, Flanged/Lock 3/8-16	1
4	710-1309	Screw, 5/16-18 x .750	1	28	914-0474	Pin- Cotter, .125 x .75	1
5	710-3180	Screw, Hex 5/16-18 x 1.75	1	30	631-04028	Steering Wheel	1
6	912-0240	Nut, Lock 7/16-20	1	31	554753	Rim Assembly, 6.0 x 4.5 S/White	1
7	912-0214	Nut, Lock 3/8-24	1	32	934-0255	Valve- Air, Tubeless	1
8	712-04063	Nut, Flanged/Lock 5/16-18	1	33	Not Stocked	Tyre- 15 x 6 x 6	1
9	638-04008P	Axle- Front, RH	1	34	738-04128	Bolt, Shoulder 3/8-16	1
10	923-0448A	Ball Joint, 7/16-20	1	35	747-04299A	Rod- Fixed	1
11	736-0242	Washer- Bell, .340 x .872 x .060	1	36	783-05326B	Bracket- Pivot Bar	1
12	938-04007A	Axle- Front, LH	1	37	726-0341	Cap- Push On, 3/4	1
13	738-04141	Bolt, Shoulder 5/16-18	1	38	731-04057A	Cap- Axle, Standard	1
14	938-05078	Shaft- Steering, 5/8	1	39	741-0660A	Bearing, Flanged .760 x .941 x 1.0	1
15	941-04124	Bearing- Flanged, 5/8	1	44	548592	Wheel Assy, Front 38/42R White	1
16	931-0484A	Cap- Hub	1	45	638-0128B	Pivot Axle	1
17	747-05385	Rod- Steering Link	1	46	912-0431	Nut, Flanged/Lock 3/8-16	1
18	948-0389	Cap, 1.25 x .16	1	47	736-0331	Washer, Bell	1
19	748-04278	Block- Clamping, Steering	1	48	750-06192A	Spacer, .38 i/dia x .854 o/dia x .22	1
20	748-04068	Spacer, .71 x .125 x .56	1				
21	731-04039	Cap	1				
22	783-08577	Plate- Stabilizer	1				
23	736-04228A	Washer, Flat .781 x 1.590	1				
24	783-04568	Bracket- Hanger, Front Deck	1				

WHEN ORDERING - PLEASE QUOTE PART NUMBER
In the event that an item is not available, please contact Customer Services

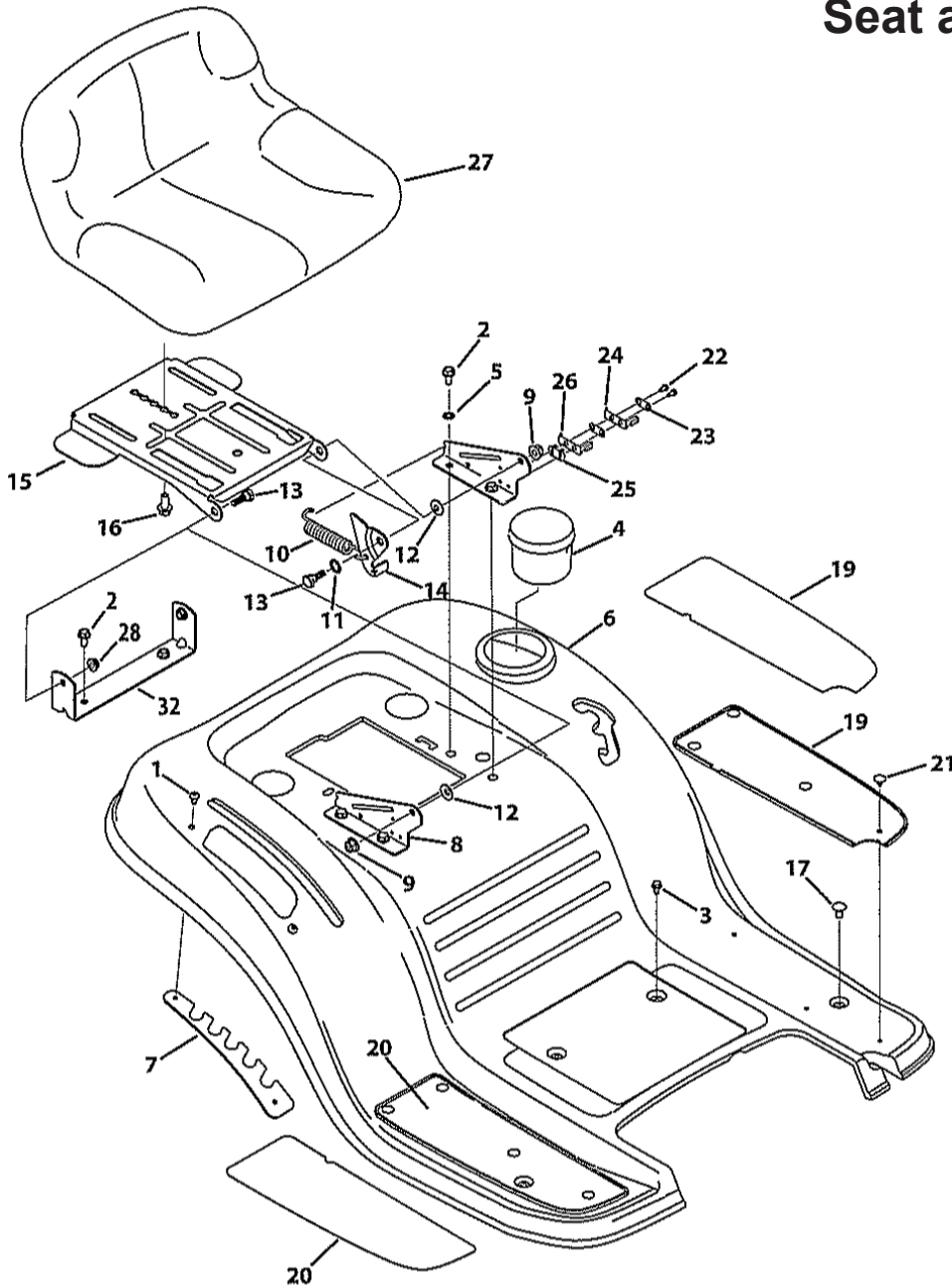


552986 15.5/38SD G3800
Powered by: B&S 15.5hp INTEK

Masport

Issue A.2
ECN 12481
June 2021 PB
Ref # 752986

Seat and Fender



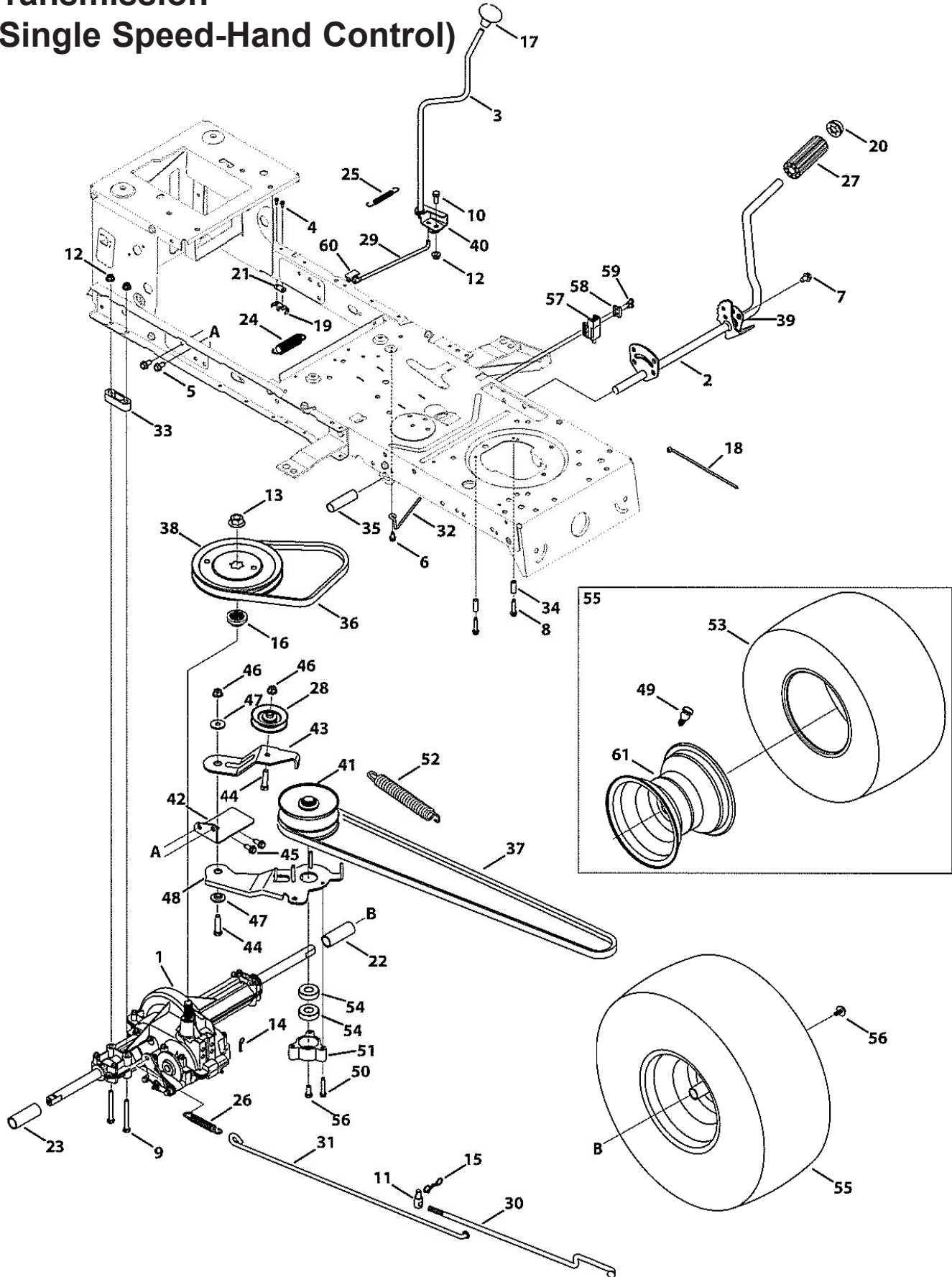
Item	Part No	Description	Qty	Item	Part No	Description	Qty
1	710-05070	Screw, 1/4-20 x .500	1	15	783-06840	Bracket- Seat Mounting	1
2	710-04484	Screw, 5/16-18 x .750	1	16	710-04482	Screw, Hex 3/8-16 x .875	1
3	710-0599	Screw, Pan Hd Torx 1/4-20 x .500	1	17	710-0134	Screw, Carriage 1/4-20 x .620	1
4	731-04591A	Holder- Cup	1	19	723-04026	Pad- Foot, LH Abrasive	1
5	736-0607	Washer, Lock 5/16	1	20	723-04025	Pad- Foot, RH Abrasive	1
6	783-04587D	Fender (Single Speed)	1	21	726-3046	Clip- Ratchet, .250 x .500	1
7	783-04843	Bracket- Lift Adjuster	1	22	710-0227	Screw, 8-18 x .500	1
8	783-1489D	Bracket- Seat Mount	1	23	726-0279	Plate- Insulator	1
9	712-04063	Nut- Flange/Lock 5/16-18	1	24	925-1303	Spring- Outer, Seat	1
10	732-1184	Spring- Tension	1	25	726-0278	Boss- Plate Insulator	1
11	936-0108	Washer, Flat .510 x .750 x .033	1	26	725-1439	Spring- Inner, Seat	1
12	736-0242	Washer, Bell .340 x .872 x .060	1	27	757-04099	Seat- Low Back, Black	1
13	938-0296	Screw, Shoulder 5/16-18	1	28	712-3004A	Nut, Flanged/Lock 5/16-18	1
14	783-0209D	Bracket- Seat Lift	1	32	783-06088A	Bracket- Seat Pivot	1

WHEN ORDERING - PLEASE QUOTE PART NUMBER
In the event that an item is not available, please contact Customer Services



552986 15.5/38SD G3800
 Powered by: B&S 15.5hp INTEK

Transmission (Single Speed-Hand Control)



WHEN ORDERING - PLEASE QUOTE PART NUMBER
 In the event that an item is not available, please contact Customer Services

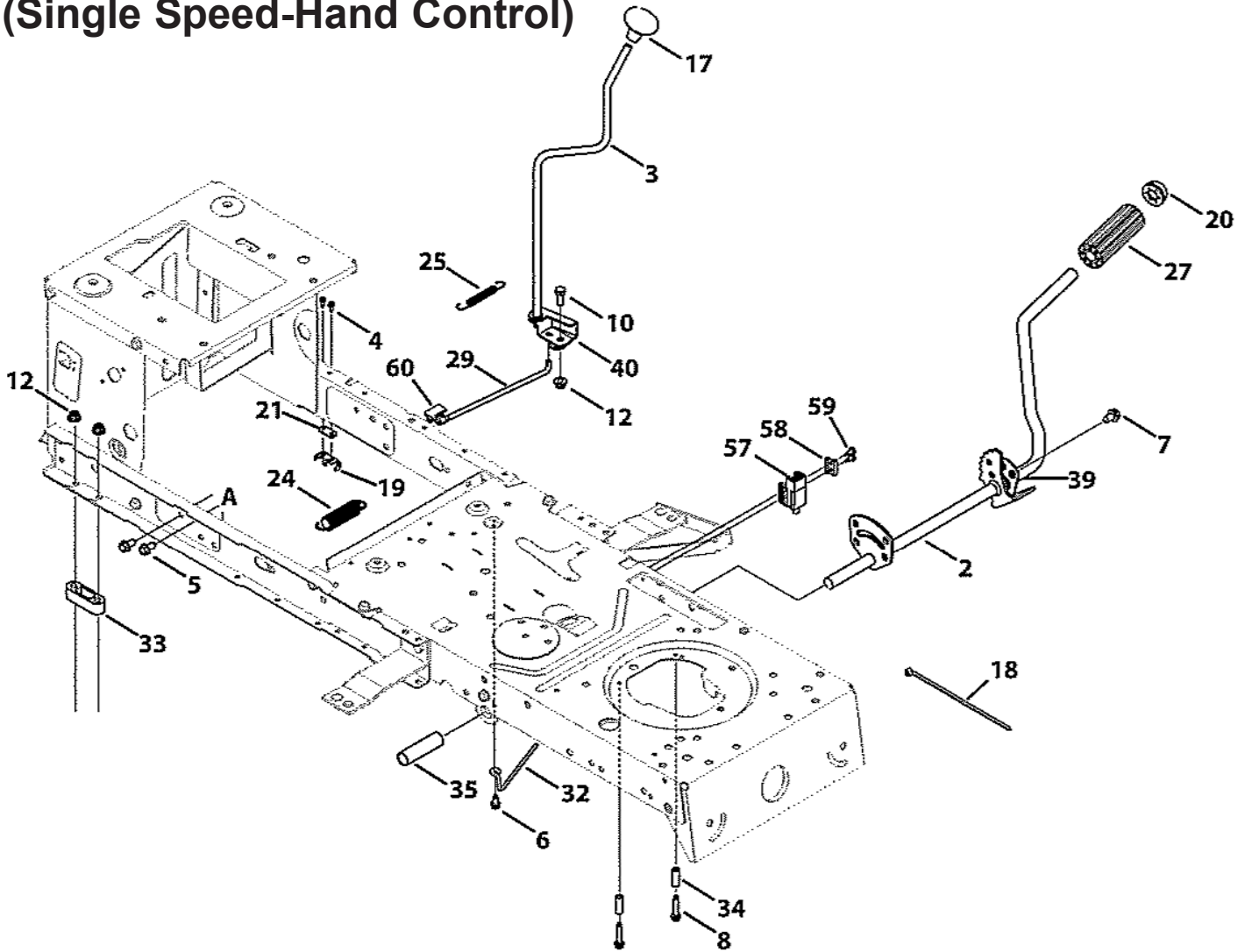


552986 15.5/38SD G3800
Powered by: B&S 15.5hp INTEK

Masport

Issue A.2
ECN 12481
June 2021 PB
Ref # 752986

Transmission (Single Speed-Hand Control)

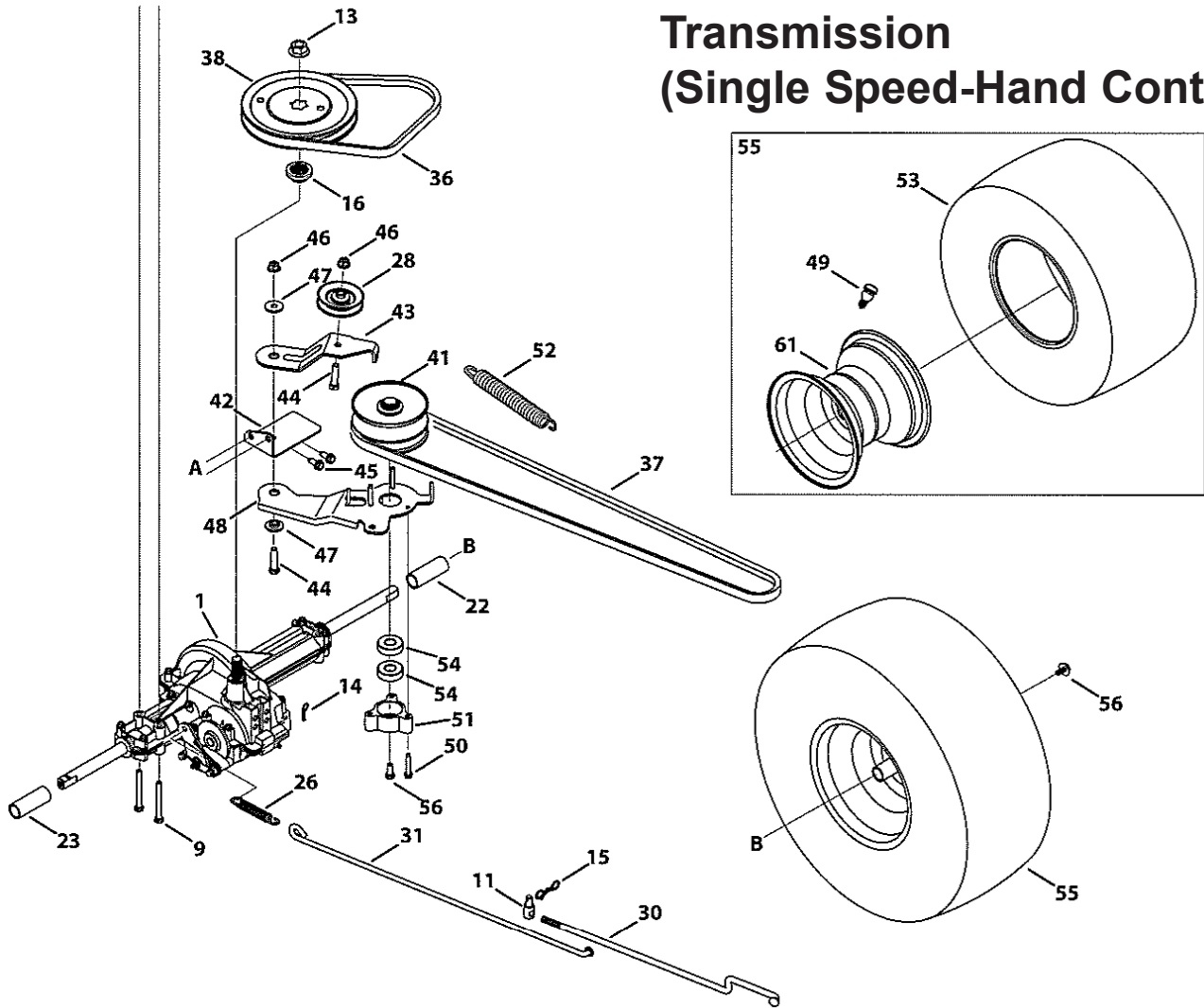


Item	Part No	Description	Qty	Item	Part No	Description	Qty
2	647-04034C	Pedal Assembly	1	25	732-04488	Spring- Tension .38 o/dia x 3.25	1
3	647-04266	Rod- Lever Assembly	1	27	735-0239	Pad- Foot, 4.00 long	1
4	710-0227	Screw, 8-18 x .500	1	29	747-05244	Rod- Shift, 4.20 long (38")	1
5	710-04484	Screw, 5/16-18 x .750	1	32	747-04969	Keeper- Rod, Belt	1
6	710-0599	Screw, 1/4-20 x .500	1	33	948-0334	Spacer- T-Axle (42" Only)	1
7	710-0604A	Screw, 5/56-18 x .625	1	34	750-0566A	Spacer- .260 x .375 x 1.030 long	1
8	710-0809	Screw, 1/4 x 1.250	1	35	750-0802	Spacer- .640 x .760 x 2.63	1
10	710-3008	Screw, Hex 5/16-18 x .750	1	39	783-04536B	Bracket- Pedal Support	1
12	712-04063	Nut, Flanged/Lock 5/16-18	1	40	783-04595A	Bracket- Shaft Adjustment	1
17	720-04028	Knob- Shift	1	57	725-04363	Switch- Interlock	1
18	725-0157	Cable Tie	1	58	17962	Plate- Switch	1
19	725-1644	Switch- Short Spring	1	59	783-04237A	Screw, Shoulder #10-32 x .500	1
20	726-0214	Cap- Push On	1	60	731-06894	Plate- Shift, Bearing	1
21	926-0320	Plate- Insulator	1				
24	732-04306	Spring- Tension, .80 o/dia x 3.28	1				

WHEN ORDERING - PLEASE QUOTE PART NUMBER
In the event that an item is not available, please contact Customer Services



Transmission (Single Speed-Hand Control)



Item	Part No	Description	Qty	Item	Part No	Description	Qty
1	918-04566	Drive- Transmission Assembly	1	42	683-04176A	Bracket- Transmission Assembly	1
9	710-0176	Screw, Hex 5/16-18 x 2.75	1	43	753-05147	Bracket- Idler Assembly	1
11	711-06103	Ferrule, 3/8-24 x .375 dia	1	44	710-0347	Screw, Hex 3/8-16 x 1.75	1
13	712-0700	Nut, Flanged 9/16-18	1	45	710-1260A	Screw, 5/16-18 x .750	1
14	914-0209	Pin- Cotter, Internal .125 dia	1	46	712-04065	Nut, Flanged/Lock 3/8-16	1
15	714-04040	Pin- Cotter, Bow Tie 72	1	47	938-0347	Spacer- Shoulder, .625 x .169	1
16	718-04407	Hub- Pulley, 5/8 Spline	1	48	753-05147	Bracket- Assembly	1
22	731-04602	Sleeve, .758 x .821 x 3.3125	1	49	934-0255	Valve- Tubeless, Air	1
23	731-04604	Sleeve, .758 x .821 x 2.4375	1	50	710-0778	Screw, 1/4-20 x 1.500	1
26	732-0716D	Spring- Tension .59 o/dia x 4.00	1	51	718-04261	Cup- Bearing	1
28	756-04325	Pulley- Idler	1	52	732-04746	Spring- Tension .94 o/dia x 6.75	1
30	747-05186	Rod- Variable Speed Control	1	53	Not Stocked	Tyre- 20 x 8 x 8 Sq Shoulder	1
31	747-05188	Rod- Brake	1	54	941-0600	Bearing- Ball, 17 x 40 x 12	1
36	954-05040	Belt-V, 5L:35.25	1	55	548593	Wheel Assy, Rear 38/42R White	1
37	954-04249A	Belt-V, 5L:70.90	1	56	710-05339	Screw, 5/16-24 x .750	1
38	956-04002	Pulley-V, 7.25 dia	1	61	554754	Rim, 8.0 x 7.0 x .750 S/White	1
41	956-04015A	Pulley- Variable Speed Assembly	1				

WHEN ORDERING - PLEASE QUOTE PART NUMBER
In the event that an item is not available, please contact Customer Services

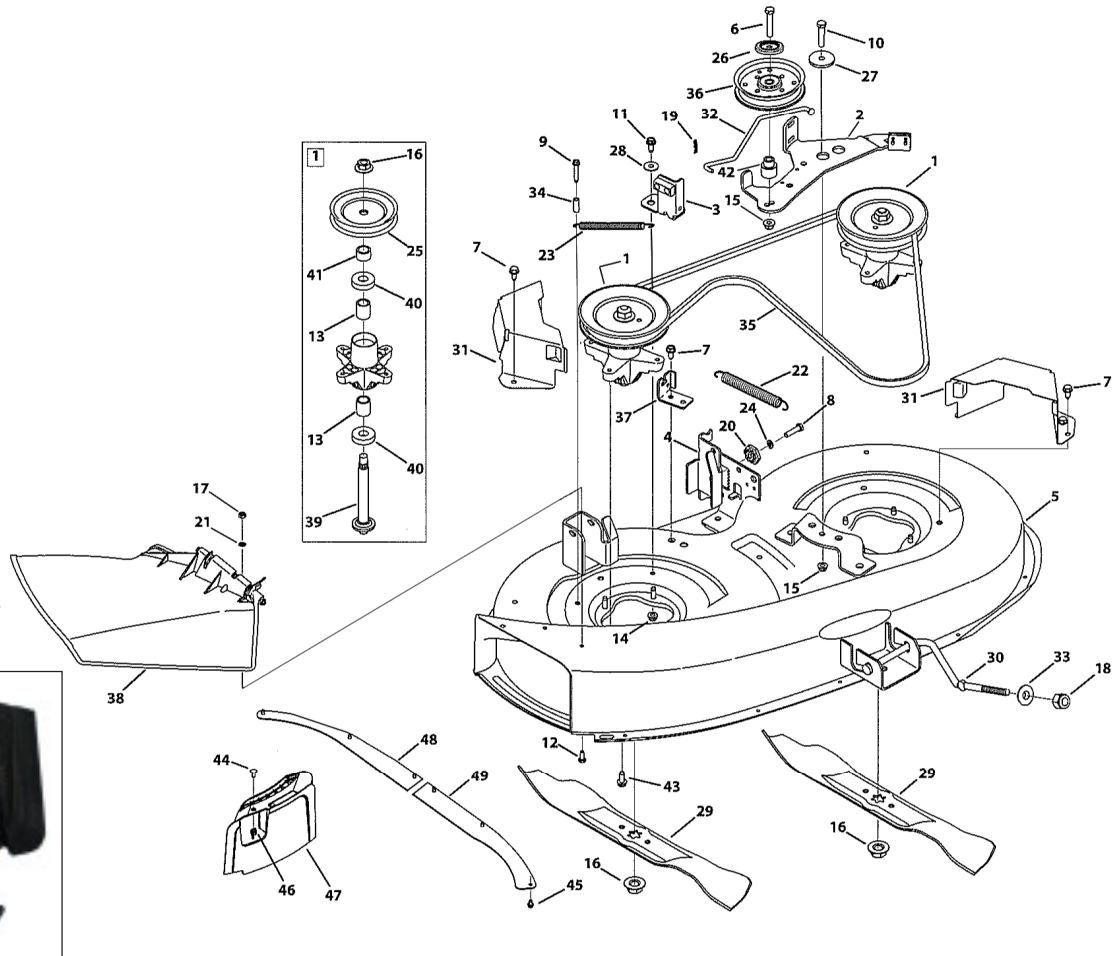


552986 15.5/38SD G3800
Powered by: B&S 15.5hp INTEK

Masport

Issue A.2
ECN 12481
June 2021 PB
Ref # 752986

38" Deck



38" Mulch Parts & Parts Req'd



Item	Part No	Description	Qty	Item	Part No	Description	Qty
1	918-04474A	Spindle Assy- Pulley, 5.75	1	26	783-08389	Cap- Pulley	1
2	683-04138B	Deck Brake Assembly	1	27	738-04162C	Spacer- Shoulder, .8840 x .190	1
3	983-04167	Deck Brake Assembly	1	28	738-04166	Spacer- Shoulder, .5000 x .1475	1
4	683-0254B	Bracket- Deck Hanger, LH	1	29	942-0610A	Blade- 3 in 1, 38" (each)	1
5	983-04263	Deck Assembly- 38"	1	30	747-04322	Rod Adjusting- Front Deck	1
6	710-0347	Screw, Hex 3/8-16 x 1.75	1	31	783-04602A	Cover- Belt	1
7	710-04484	Screw, 5/16-18 x .750	1	32	747-04381	Rod- Brake Control, 38"	1
8	710-0528	Screw, Hex 5/16-18 x 1.25	1	33	748-04069	Cup- Pivot, Deck Lift	1
9	710-0778	Screw, 1/4-20 x 1.50	1	34	750-0566A	Spacer, .260 x .375 x 1.030	1
10	710-3005	Screw, Hex 3/8-16 x 1.25	1	35	954-04062	Belt-V	1
11	710-3008	Screw, Hex 5/16-18 x .750	1	36	756-05042	Pulley- Idler	1
12	710-0751	Screw, Hex 1/4-20 x .62	1	37	783-04740	Bracket- Cable, Deck Engage	1
13	750-1000	Spacer, .80 x 1.10 x 1.322 long	1	38	631-05229	Chute- Assembly 38/42	1
14	712-04063	Nut, Flanged/Lock 5/16-18	1	39	938-04241	Shaft- Spindle, 5.50	1
15	712-04065	Nut, Flanged/Lock 3/8-16	1	40	941-0919B	Bearing- Ball, .787 id x 1.85 x .551	1
16	712-0417A	Nut, Flanged 5/8-18	1	41	750-04739	Spacer, .820 x 1.150 x .480 long	1
17	712-04064	Nut, Flanged/Lock 1/4-20	1	42	748-05029A	Spacer- Idler, Shoulder	1
18	712-05046	Nut, Hex 1/2-13	1	43	710-1260A	Screw, 5/16-18 x .750	1
19	714-04040	Pin- Cotter, Bow Tie	1	44	710-0134	Screw, Carriage 1/4-20 x .62	1
20	917-04074	Gear- Deck Adjuster	1	45	710-0599	Screw, 1/4-20 x .500	1
21	726-0233	Nut, Push .25 x .50	1	46	712-3087	Nut- Winged 1/4-20	1
22	732-04280B	Spring- Tension, .75 x 6.375	1	47	731-2363	Mulching Plug	1
23	732-04287	Spring- Tension, .500 x 6.375	1	48	783-1299	Skirt- RH, 38" Deck	1
24	936-0119	Washer, Locking 5/16	1	49	783-1300	Skirt- LH, 38" Deck	1
25	756-1188	Pulley- Deck, 5.75	1				

WHEN ORDERING - PLEASE QUOTE PART NUMBER

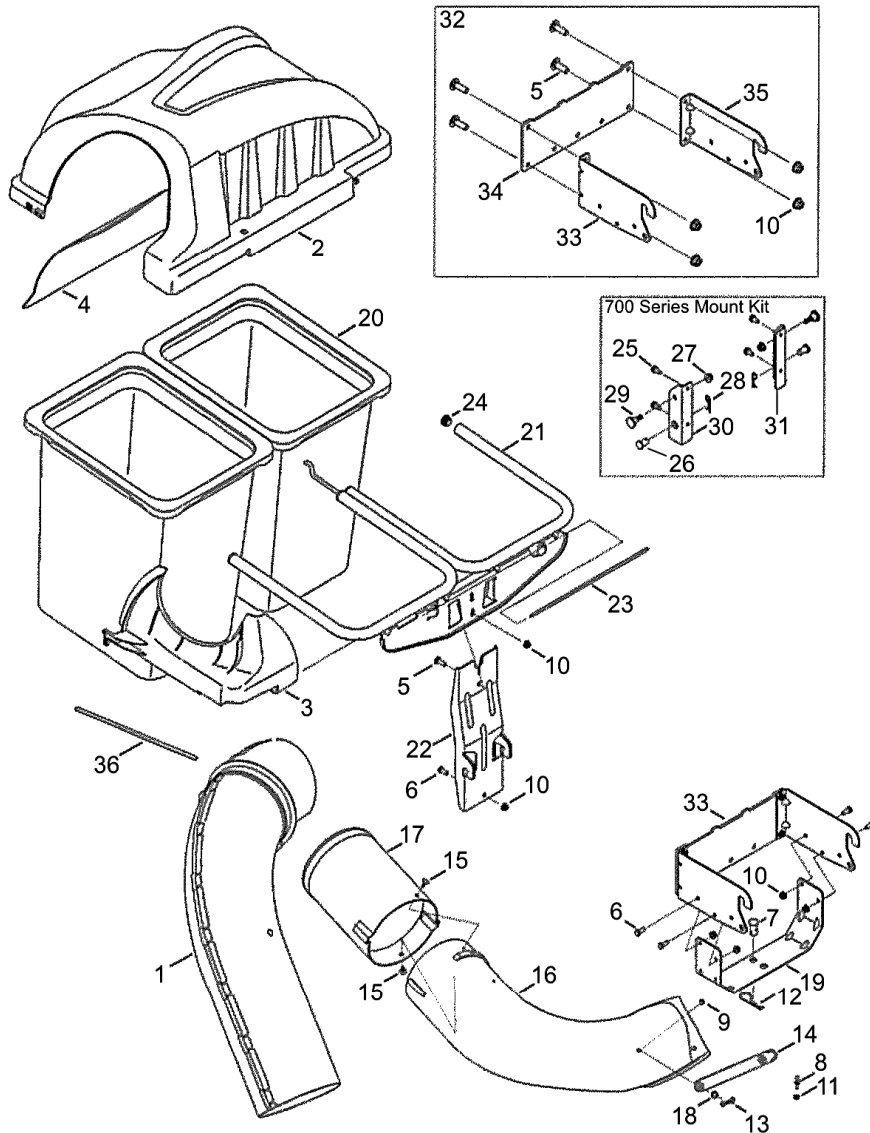
In the event that an item is not available, please contact Customer Services



552986 15.5/38SD G3800
Powered by: B&S 15.5hp INTEK

Masport

Issue A.2
ECN 12481
June 2021 PB
Ref # 752986



Item	Part No	Description	Qty	Item	Part No	Description	Qty
1	931-04291	Upper Chute Assembly	1	20	964-04096	Grass-Bag Assembly	1
2	931-04292	Double Bagger Cover Assembly	1	21	683-04461-0637	Double Bag Support Assembly	1
3	731-06497	Upper Chute Support	1	22	683-04519-0637	Vertical Support Bracket	1
4	731-06504	Bagger Cover Screen	1	23	711-04988	Cover Hinge Pin	1
5	710-0276	Carriage Screw, 5/16-18 x 1.00"	1	24	735-0246A	End Plug	1
6	710-3008	Screw, Hex Head 5/16-18 x .75"	1	25	710-04484	Tap Screw, 5/16-18 x .750	1
7	711-0309A	Clevis Pin, .62" dia	1	26	711-0332	Clevis Pin, .50 x .78 long	1
8	911-04069	Grass Catcher Pin, 1/4-20	1	27	712-04065	Flange Lock Nut, 3/8-16	1
9	711-05063	Clevis Pin, 5/16 x .75 long	1	28	914-0145	Click Pin, .092 x 1.64 long	1
10	712-04063	Flange Lock Nut, 5/16-18	1	29	738-04267	Shoulder Screw, .625 x .412	1
11	712-04064	Flange Lock Nut, 1/4-20	1	30	783-05889A-0637	Mounting Bracket, RH	1
12	714-0117	Internal Cotter Pin, .148 x 3.00	1	31	783-05890A-0637	Mounting Bracket, LH	1
13	714-04040	Bow-Tie Cotter Pin, 72	1	32	689-00101	Hitch Bracket Assembly (Includes items 33, 34, 35)	1
14	723-04008A	Chute Strap, 6.00 long	1	33	N/A	Hitch Bracket, RH	1
15	726-3046	Ratchet Clip, .250 Discharge Chute	1	34	N/A	Rear Attachment Bracket	1
16	731-04153A	Elbow, 38"/42" Deck	1	35	N/A	Hitch Bracket, LH	1
17	731-06610	Bagger Chute Adapter, 8 In	1	36	721-04388	Self-Adhesive Foam Strip	1
18	736-0204	Flat Washer, .344 x .62 x .033	1				
19	783-05887	Universal Bracket Support	1				

WHEN ORDERING - PLEASE QUOTE PART NUMBER

In the event that an item is not available, please contact Customer Services

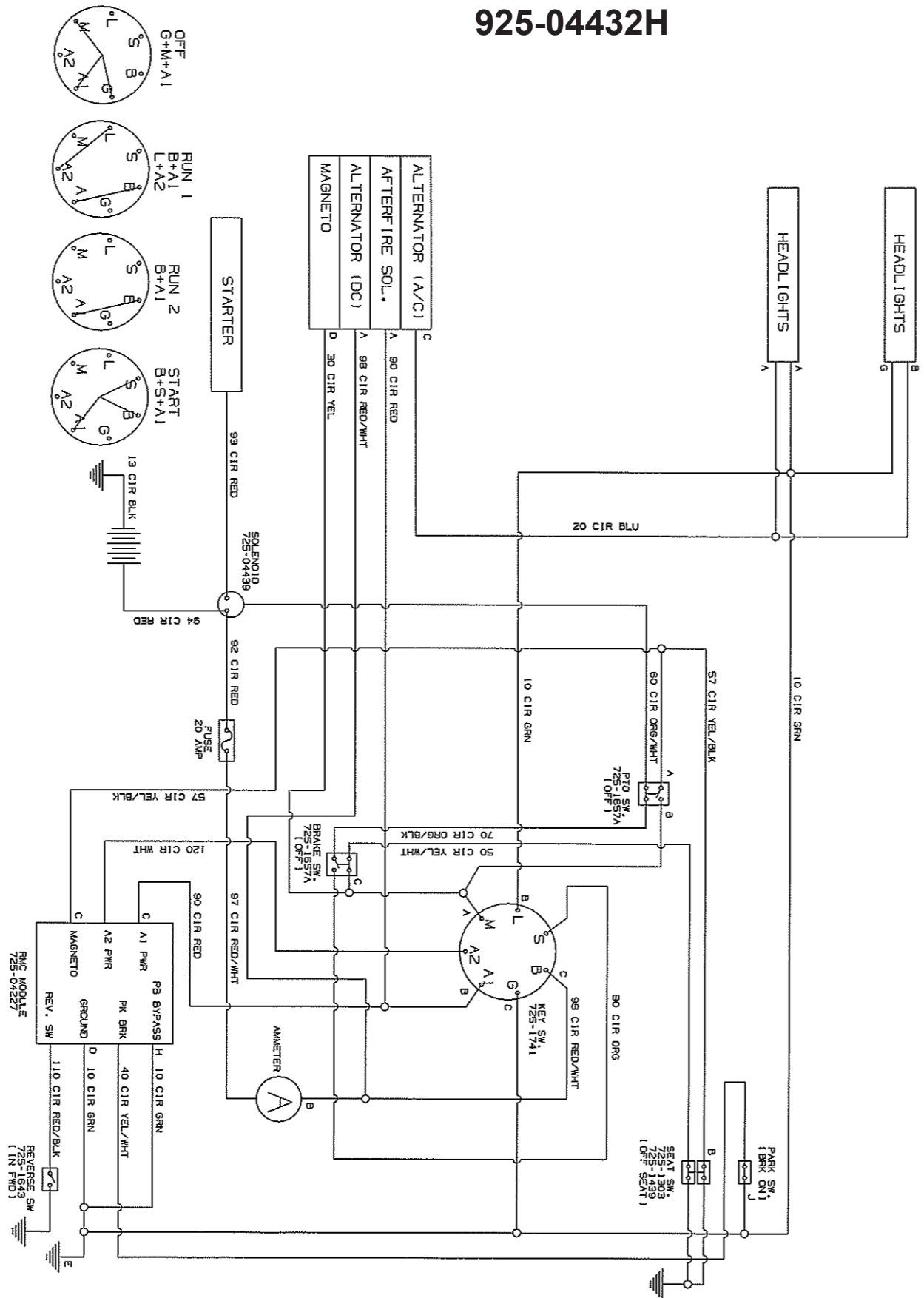


552986 15.5/38SD G3800
Powered by: B&S 15.5hp INTEK

Masport

Issue A.2
ECN 12481
June 2021 PB
Ref # 752986

Wiring Harness Schematic 925-04432H



WHEN ORDERING - PLEASE QUOTE PART NUMBER
In the event that an item is not available, please contact Customer Services

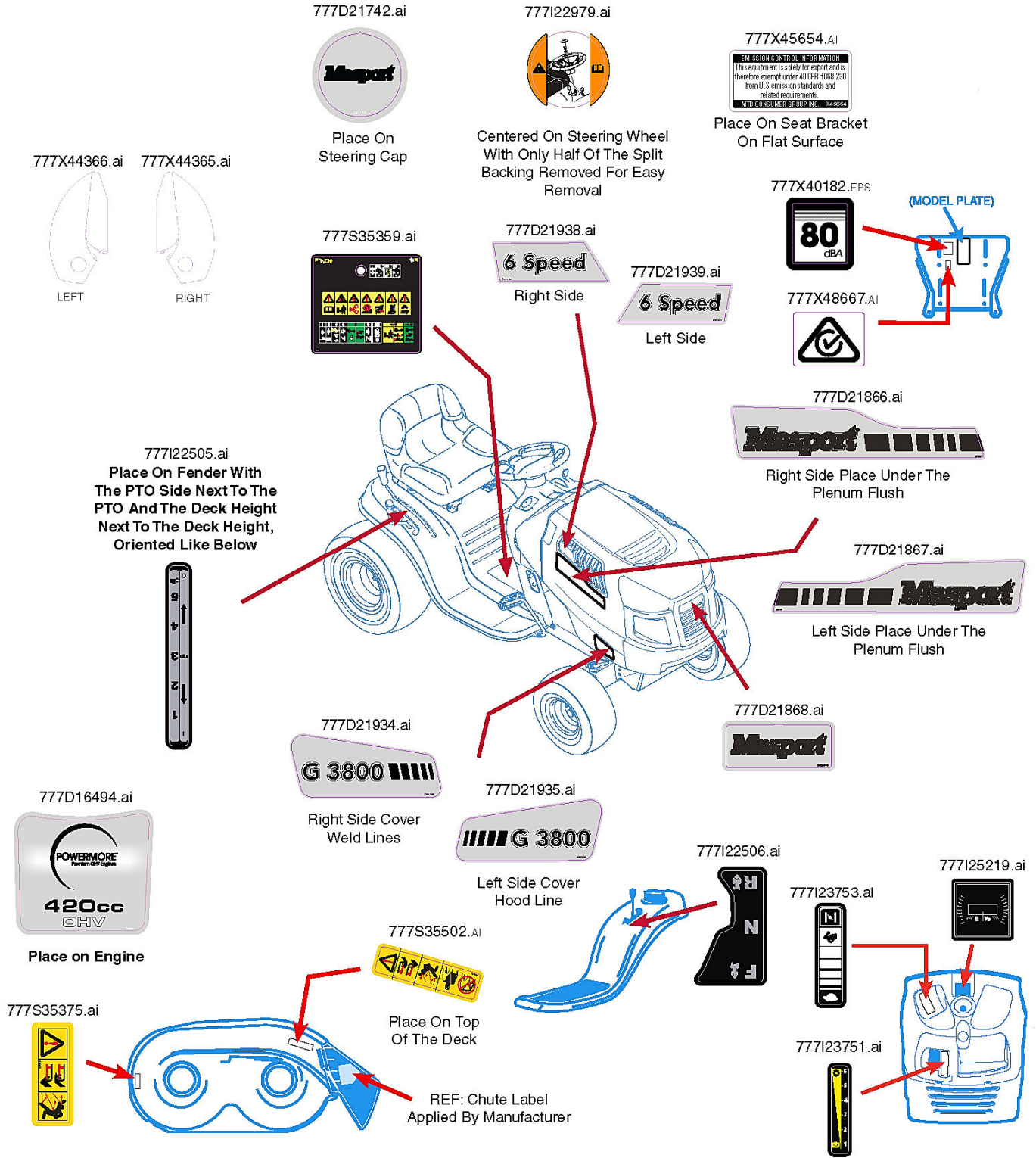


552986 15.5/38SD G3800
Powered by: B&S 15.5hp INTEK

Masport

Issue A.2
ECN 12481
June 2021 PB
Ref # 752986

Decal Map



WHEN ORDERING - PLEASE QUOTE PART NUMBER
In the event that an item is not available, please contact Customer Services