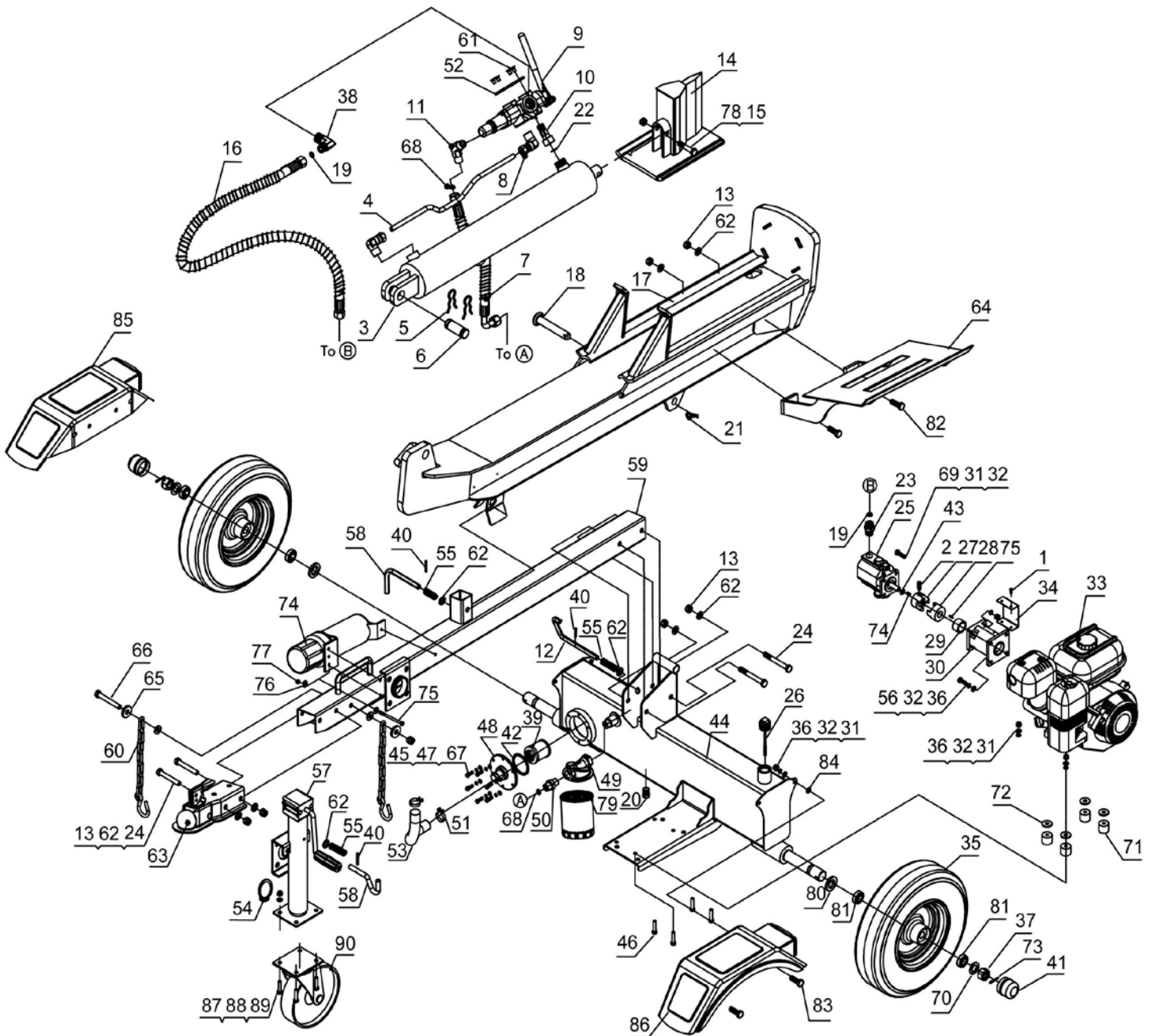


# BWM LS30 Series Spare Parts Diagram



Ref #	Part No.	Description	Qty
1	BWMLS300001	Hex Bolt M5x10	4
2	BWMLS300002	Inner Hex Cone Point Set Screw M6x10	1
3	BWMLS300003	Cylinder	1
4	BWMLS300004	Metal Hydraulic Hose	1
5	BWMLS300005	R Pin Ø4.5	2
6	BWMLS300006	Cylinder Pin	1
7	BWMLS300007	Hydraulic Hose (Valve - Spin-on Filter)	1
8	BWMLS300008	Cutting Sleeve Connector	2
9	BWMLS300009	One-Way Single Handle Control Valve	1
10	BWMLS300010	Combination Connector	1
11	BWMLS300011	130° Joint	1
12	BWMLS300012	Safety Pin	1
13	BWMLS300013	Nylon Lock Nut M12	7
14	BWMLS300014	Wedge	1
15	BWMLS300015	Hex Bolt M14x85	1
16	BWMLS300016	Hydraulic Hose (Valve - Pump)	1
17	BWMLS300017	Beam Assembly	1
18	BWMLS300018	Hitch Pin	1
19	BWMLS300019	O Ring Ø11x2.5	2
20	BWMLS300020	Oil Plug	1
21	BWMLS300021	R Pin Ø3	1
22	BWMLS300022	O Ring Ø15x2.5	1
23	BWMLS300023	Pump Outlet Connector	1
24	BWMLS300024	Hex Bolt M12x100	4
25	BWMLS300025	Gear Pump 13/1.8	1
26	BWMLS300026	Oil Bolt	1
27	BWMLS300027	Gear Pump Coupler	1
28	BWMLS300028	Engine Coupler	1
29	BWMLS300029	Engine Bushing	1
30	BWMLS300030	Gear Pump Stand	1
31	BWMLS300031	Nylon Lock Nut M8	12
32	BWMLS300032	Lock Washer Ø8	16
33	BWMLS300033	Engine (Honda GX200, Honda GP200, or Briggs & Stratton 6.5HP)	1
34	BWMLS300034	Coupler Cover	1
35	BWMLS300035	Wheel Assembly	2
36	BWMLS300036	Flat Washer Ø8	12

Ref #	Part No.	Description	Qty
37	BWMLS300037	Thin Hex Slotted Nut M20	2
38	BWMLS300038	Angle Connector	1
39	BWMLS300039	Oil Filter	1
40	BWMLS300040	Cotter Pin Ø3x30	3
41	BWMLS300041	Axle Cap	2
42	BWMLS300042	Rubber Washer	1
43	BWMLS300043	Wire Snap rings for shaft	1
44	BWMLS300044	Oil Tank	1
45	BWMLS300045	Flat Washer Ø6	6
46	BWMLS300046	Hex Bolt M8x65	4
47	BWMLS300047	Hex Bolt M6x20	6
48	BWMLS300048	Filter Mounting Plate	1
49	BWMLS300049	Aluminum Seat	1
50	BWMLS300050	Connector	1
51	BWMLS300051	Clamp	2
52	BWMLS300052	Plate	1
53	BWMLS300053	Oil Pipe	1
54	BWMLS300054	Wire Snap rings for shaft Ø62	1
55	BWMLS300055	Spring	3
56	BWMLS300056	Hex Bolt M8x25	4
57	BWMLS300057	Hand-cranked Support Leg	1
58	BWMLS300058	Safety Pin	2
59	BWMLS300059	Tow Bar	1
60	BWMLS300060	Chain Assembly	2
61	BWMLS300061	Cross Screw M8x10	4
62	BWMLS300062	Flat Washer Ø12	11
63	BWMLS300063	2" Coupler	1
64	BWMLS300064	Log Cradle	1
65	BWMLS300065	Thick Washer	2
66	BWMLS300066	Hex Bolt M12x110	1
67	BWMLS300067	Lock Washer Ø6	6
68	BWMLS300068	O Ring Ø17x2.5	2
69	BWMLS300069	Hex Bolt M8x30	4
70	BWMLS300070	Flat Washer Ø20	2
71	BWMLS300071	Polyurethane Block	4
72	BWMLS300072	Large Flat Washer Ø10	4
73	BWMLS300073	Cotter Pin Ø4x36	2
74	BWMLS300074	Manual Canister	1
75	BWMLS300075	Hex Bolt M6x90	3

Ref #	Part No.	Description	Qty
76	BWMLS300076	Large Flat Washer Ø6	6
77	BWMLS300077	Nylon Lock Nut M6	3
78	BWMLS300078	Nylon Lock Nut M14	1
79	BWMLS300079	Spin-on Filter	1
80	BWMLS300080	Oil Seal	2
81	BWMLS300081	Conical Roller Bearing	4
82	BWMLS300082	Hex Bolt M12x35	2
83	BWMLS300083	Hex Bolt M8x25	4
84	BWMLS300084	Rubber Washer	4
85	BWMLS300085	Left Fender	1
86	BWMLS300086	Right Fender	1
87	BWMLS300087	Hex Bolt M10x25	4
88	BWMLS300088	Flat Washer Ø10	4
89	BWMLS300089	Nylon Lock Nut M10	4
90	BWMLS300090	Jockey Wheel	1

## Customer Service:

303 Warrigal Road, Cheltenham, Victoria 3192, Australia

Telephone: 1300 454 585

Website: [www.BWMachinery.com.au](http://www.BWMachinery.com.au)

Email: [admin@bwmachinery.com.au](mailto:admin@bwmachinery.com.au)

Spare parts are available from our dealers and our official website