

OLYMPIC CYLINDER MOWERS

500 SERIES

<u>Mower</u>	<u>Model</u>	<u>Spec</u>	<u>Engine</u>	<u>Shaft Dia</u>	<u>Start Year</u>	<u>From Serial #</u>
019030	500 - PRR	"A"	Honda GX160	20	Dec 2007	7091921
019035	500 - PRR	"A"	B&S 3.5 I/C	19	Sep 2008	7154532
019040	500 - RRR	"A"	Honda GX160	20	Apr 2009	7201082
019042	500 - RRR	"A"	B&S 3.5 I/C	19	Apr 2009	7201892
019054	500 - RRR	"A"	B&S 6.0 I/C	19	Aug 2010	7361176
019071	500 - PRR	"A"	B&S 6.0 I/C	19	Nov 2010	7389447
019098	500 - RRR	"A" L/C	B&S 5.0 hp	19	May 2012	7599291
019100	500 - RRR	"A"	Honda GC160	19	Nov 2012	7689391
019101	500 - RRR	"A" L/C	Honda GC160	19	Nov 2012	7690470
019109	500 - RRR	"B"	B&S 3.5 I/C	19	Oct 2015	7978145
019110	500 - RRR	"B"	Honda GC160	19	July 2015	7923568
019112	500 - RRR	"B"	Honda GX160	20	July 2015	7939378
019113	500 - RRR	"B"	B&S 5.0 hp	19	July 2015	7923028
019115	500 - RRR	"B"	Loncin 196cc	19	Apr 2019	8357615

PRR = Cylinder Mowers fitted with a painted Rear Roller
 RRR = Cylinder Mowers fitted with a Rubber Sleeve over the painted Rear Roller
 L/C = Cylinder Mowers- Low Cut, have a different Backplate and Baseplate, refer to page 4



Photo shows 019042
B&S 3.5 I/C



Photo shows 019115
Loncin Engine 196cc
Pt No 546182

"A" Approx Ground Speed 5.5Kph

Where assembled parts differ,
These are shown as "A"

"B" Approx Ground Speed 4.5Kph

Where assembled parts differ,
These are shown as "B"



Photo shows 019110
Honda GC160

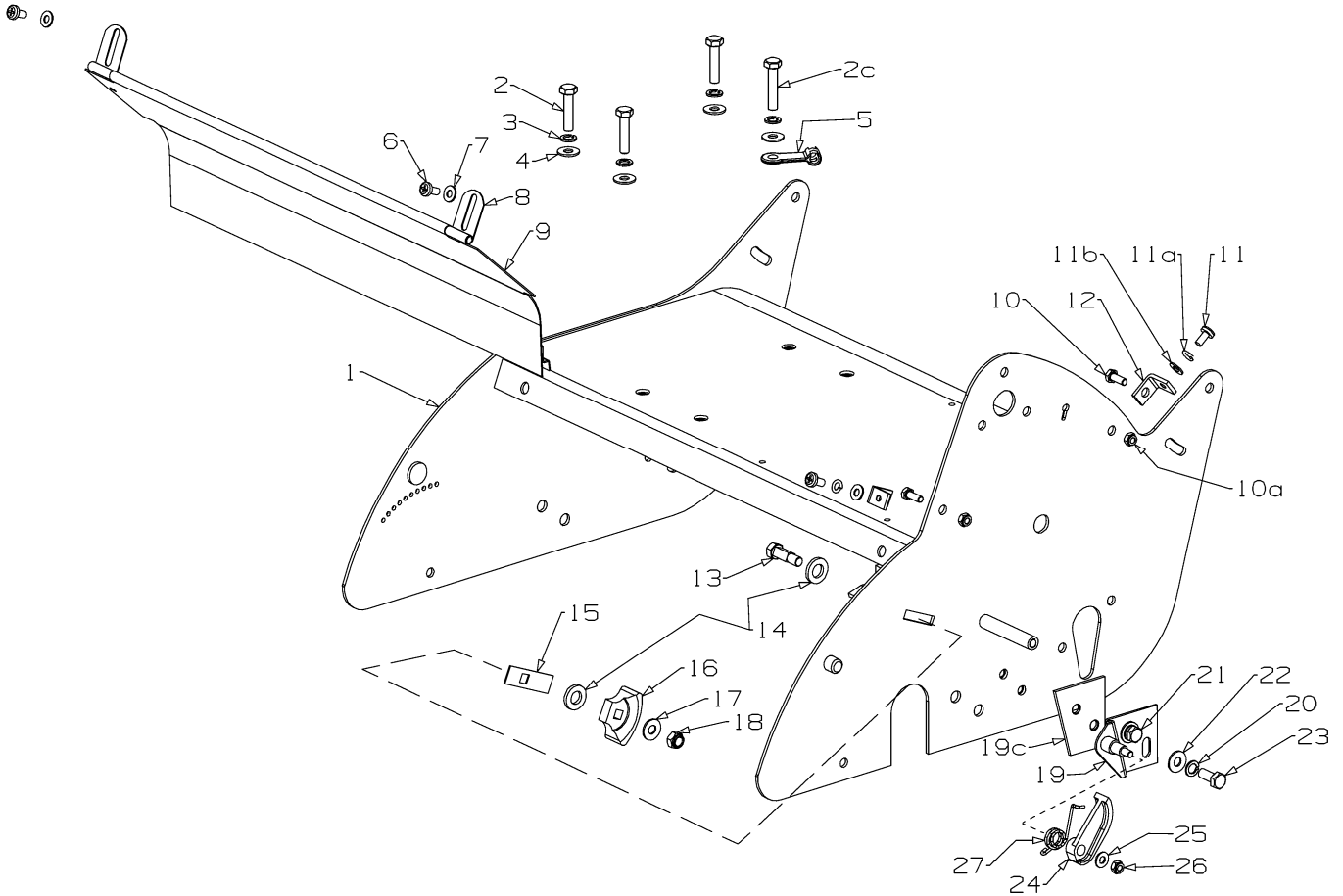
Not Illustrated		
031888	Decal, Caution S/N & dB 500	1
031891	Decal, Trans Cover 5/660	1
031894	Decal, G/Catcher 500	1
031900	Decal, Caution, Feet & Hands	1
031992	Owner Manual, Reel Mower	1
537967	Washer-Rear Axle (If required)	3
Honda Engine's require		
503630	Screw, S/T 10x.4	2
503950	Deflector-Honda Engine	1
Honda- Throttle Cable Routing Change TB129 (Released December 2012)		
503489	Screw, Set M5 x 16 Tap/C	1
550500	Cable- Clamp, Throttle Adaptor	1

Part No	Description	Qty
731969	Catcher Assy, 500 Plastic- Green	1



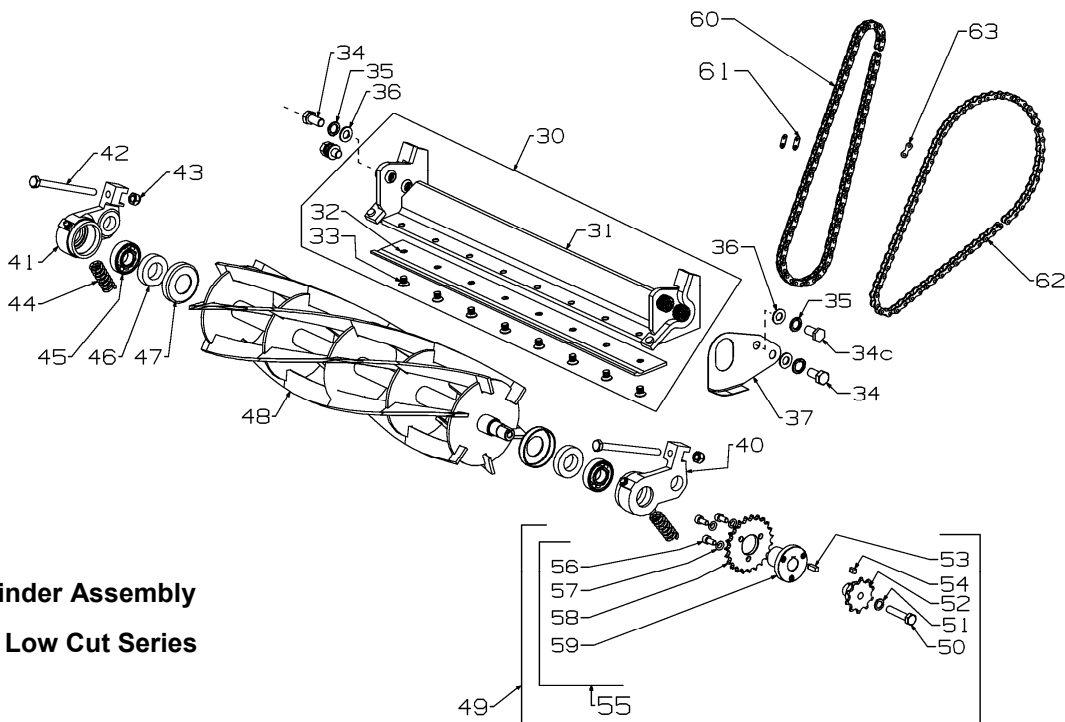
SPARES OPTIONS

732181	Slow Down Kit	1	Converts from A to B
732226	Speed Up Kit	1	Converts from B to A



Item	Part No	Description	Qty	Item	Part No	Description	Qty
1	031590	Chassis Assy- 500 Green	1	15	002845	Sealplate- Chain Adjuster	1
2	501716	Set Screw, M8 x 35 Hex HT	3	16	002844	Adjuster- Chain, Fixed Nylon	1
2c	501843	Set Screw, M8 x 40 Hex	1	17	501606	Washer, Flat 8 x 19 x 1.6	1
3	503747	Washer, Spg 8	4	18	501793	Nut, M8 Hex Nyloc x 8mm thick	1
4	501606	Washer, Flat 8 x 19 x 1.6	4	19	004942	Plate Assy, Mounting	1
5	581527	Retainer, Clutch Cable	1	19c	032250	Plate- Spacer, Chain Align	1
6	503591	Screw, Pan M6 x 12	2	20	503747	Washer Spg 8	2
7	501703	Washer, Flat 6 x 14 x 1.2	2	21	501571	Set Screw, M8 x 16 Hex	1
8	002589	Bracket, Grass Chute	2	22	501606	Washer, Flat 8 x 19 x 1.6	2
9	008901	Deflector, Grass- 500	1	23	501571	Set Screw, M8 x 16 Hex	1
10	501702	Set Screw, M6 x 16 Hex	2	24	004963	Adjuster- Chain, Tension Nylon	1
10a	501764	Nut, M6 Hex Nyloc x 6mm thick	2	25	501703	Washer, Flat 6 x 14 x 1.2	1
11	503591	Screw, Pan M6 x 12	2	26	501764	Nut, M6 Hex Nyloc x 6mm thick	1
11a	500201	Washer, Spg 6	2	27	004945	Spring	1
11b	501703	Washer, Flat 6 x 14 x 1.2	2				
12	031915	Bracket- Chain Cover	2				
13	002848	Bolt- Adjuster, Chain	1				
14	006028	Washer, Flat 12 x 22 x 3.0	2				

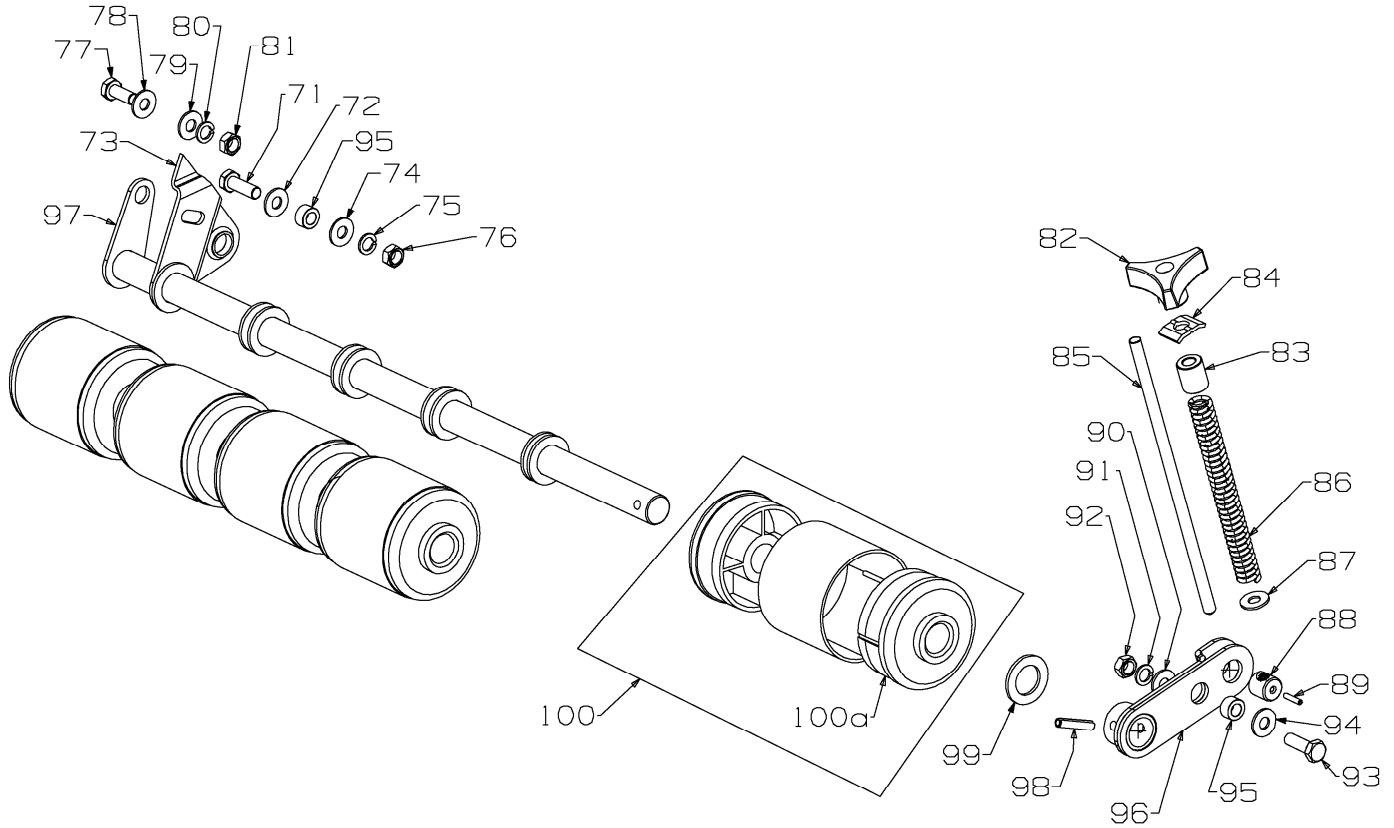
When ordering spares: PLEASE QUOTE PART NUMBER & Description, NOT illustrated number. Item Qty = 1 per part unless stated differently. **BOLD TEXT** = Assemblies. Text starting with * = items included in the assemblies & may not be available as a spares item. Determine the left hand or right hand sides by standing in the operating position (standing at the handle).



Cutting Cylinder Assembly
Standard & Low Cut Series

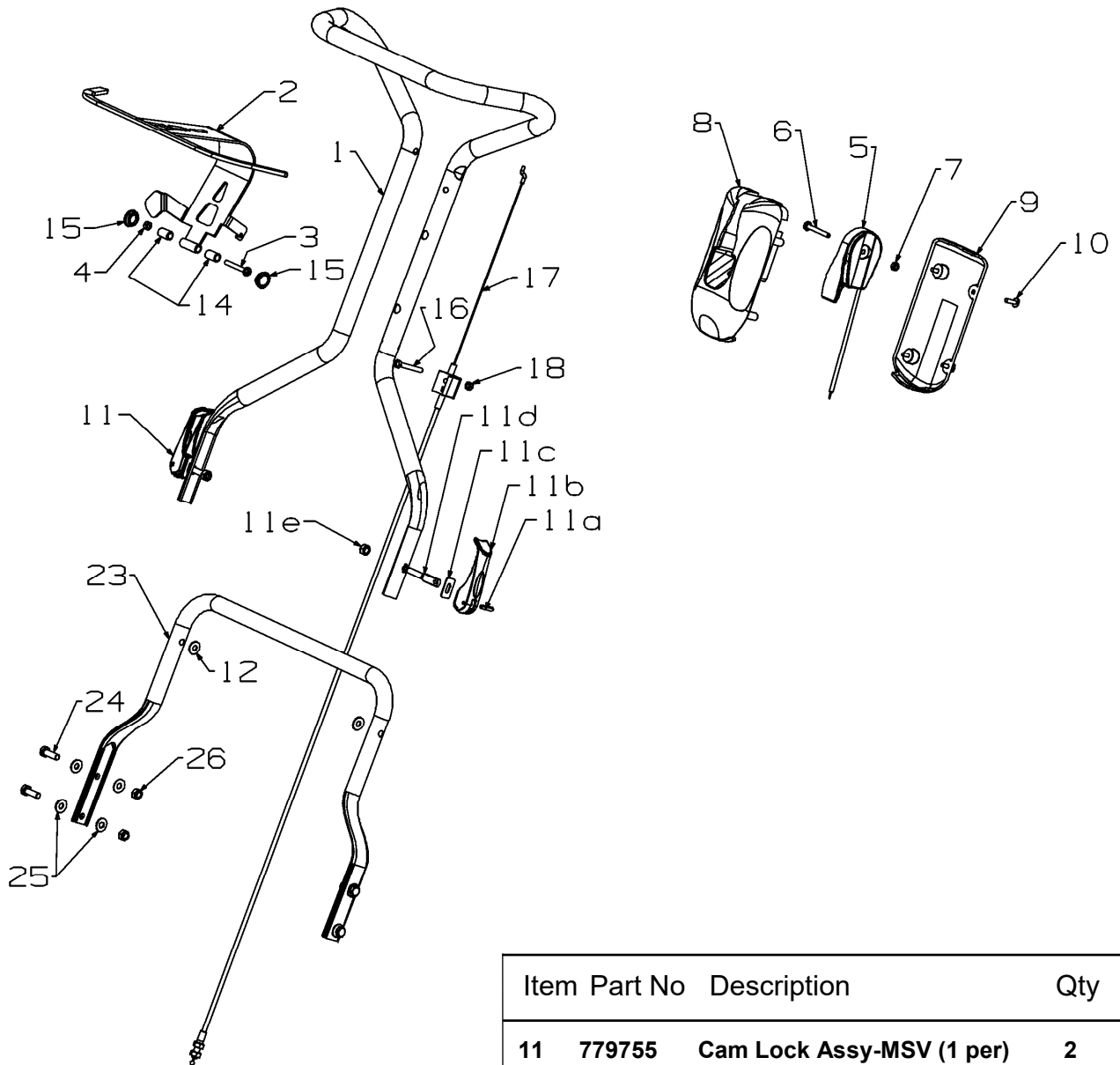
Item	Part No	Description	Qty	Item	Part No	Description	Qty
Low Cut Series				49 A	032006	Sprocket Assy-10/23 (includes items 50,51,52,53,54 and 55A)	1
30	032035	B/Plate Brkt, Blade Assy L/Cut (includes items,31,32,33)	1	49 B	032223	Sprocket Assy-10/23 (includes items 50,51,52,53,54 and 55B)	1
31	*009862	Bracket Assy Back plate 500	1	50	*301345	Set Screw, M8 x 45HT	1
32	*032021	Blade- Baseplate 500, L/Cut	1	51	*503747	Washer Spg 8	1
33	*008611	Screw, CSK M8x10 Allen Head	8	52	*032002	Sprocket 10T	1
30	009855	Back plate Brkt, Blade Assy 500 (includes items,31,32,33)	1	53	*032005	Key 5 x 5 x 16	1
31	*009862	Bracket Assy Back plate 500	1	54	*032004	Key 5 x 5 x 10	1
32	*009873	Blade, Baseplate 500	1	55 A	*032045	Sprocket Assy - 23 Key (includes items 56,57,58A and 59)	1
33	*008611	Screw, CSK M8x10 Allen Head	8	55 B	*032222	Sprocket Assy - 26 Key (includes items 56,57,58B and 59)	1
34	501760	Set Screw, M10x20 Hex	3	56	*502004	Screw, Cap M6 x 12	3
34c A	501760	Set Screw, M10x20 Hex	1	57	*500201	Washer, Spg 6	3
34c B	502207	Set Screw, M10x20 (Short Head)	1	58 A	*032003	Sprocket 23T	1
35	503897	Washer, Spg 10	4	58 B	*032174	Sprocket 26T	1
36	501704	Washer, Flt 10x19x1.6	4	59	*032001	Boss Sprocket Key	1
37	002561	Plate- Seal, Chain case	1	60 A	002835	Chain- 0.23xP 3/8", 75P	1
40	032023	Housing- Assy Bearing, LH	1	61	*731972	Link- Chain 3/8"	1
41	032024	Housing- Assy Bearing, RH	1	60 B	032187	Chain- 0.23xP 3/8", 77P	1
42	006282	Bolt, Set NF 5/16"x4" Hex	2	61	*731972	Link- Chain 3/8"	1
43	007240	Nut, NF 5/16 Hex Nyloc Type "P"	2	62	004299	Chain- 0.205x P 1/2", 59P	1
44	002581	Spring- Baseplate	2	63	*731971	Link- Chain 1/2"	1
45	503273	Bearing, Ball 17x40x12 6203 2S	2	932088	*Cylinder & Sprocket Assembly 500 (Includes items 48 & 49A)	1	
46	002583	Seal- Felt	2	*This assembly is designed to replace the style of Cutting Cylinder that used a 5/8 UNF LH thread to attach the sprocket assembly.			
47	005211	Cover- Dust, Cylinder Bearing	2				
48	032014	Cylinder Assy Cutting-500, Keyed	1				

When ordering spares: PLEASE QUOTE PART NUMBER & Description, NOT illustrated number. Item Qty = 1 per part unless stated differently.
BOLD TEXT = Assemblies. Text starting with * = items included in the assemblies & may not be available as a spares item.
 Determine the left hand or right hand sides by standing in the operating position (standing at the handle).



Item	Part No	Description	Qty	Item	Part No	Description	Qty
70	005014	Spindle & Bracket Assy 500	1	87	*501606	Washer, Flat 8 x 19 x 1.6	1
71	*501598	Set Screw, M8 x 25 Hex	1	88	*004990	Spindle, Trunnion	1
72	*501606	Washer, Flat 8 x 19 x 1.6	1	89	*032087	Pin, Tension 3.0 x 16	1
73	*004983	Bracket- Front Roller, RH	1	90	*501606	Washer, Flat 8 x 19 x 1.6	1
74	*501606	Washer, Flat 8 x 19 x 1.6	1	91	*503747	Washer, Spg 8	1
75	*503747	Washer, Spg 8	1	92	*501602	Nut, M8 Hex	1
76	*501602	Nut, M8 Hex	1	93	*501598	Set Screw, M8 x 25 Hex	1
77	*501597	Set Screw, M8 x 20 Hex	1	94	*501606	Washer, Flat 8 x 19 x 1.6	1
78	*501606	Washer, Flat 8 x 19 x 1.6	1	95	*004991	Bush- Pivot, Front Roller	2
79	*501606	Washer, Flat 8 x 19 x 1.6	1	96	*004984	Bracket Assy- Adj, Front Roller	1
80	*503747	Washer, Spg 8	1	97	*004977	Spindle Assy Front 500	1
81	*501602	Nut, M8 Hex	1	98	*007496	Pin, Tension 6.0 x 30	1
82	*574230	Knob- Plastic, M8 Insert	1	99	*501432	Washer, Flat 20 x 33 x 4.0	9
83	*031910	Spacer- Knob	1	100	031911	Roller- Front Assy (1 Only)	5
84	*004973	Plate- Slipper	1	100a	**005478	Cap- End 72.3	2
85	*004988	Spindle- Adj, Front Roller	1				
86	*004691	Spring- Height Adjust	1				

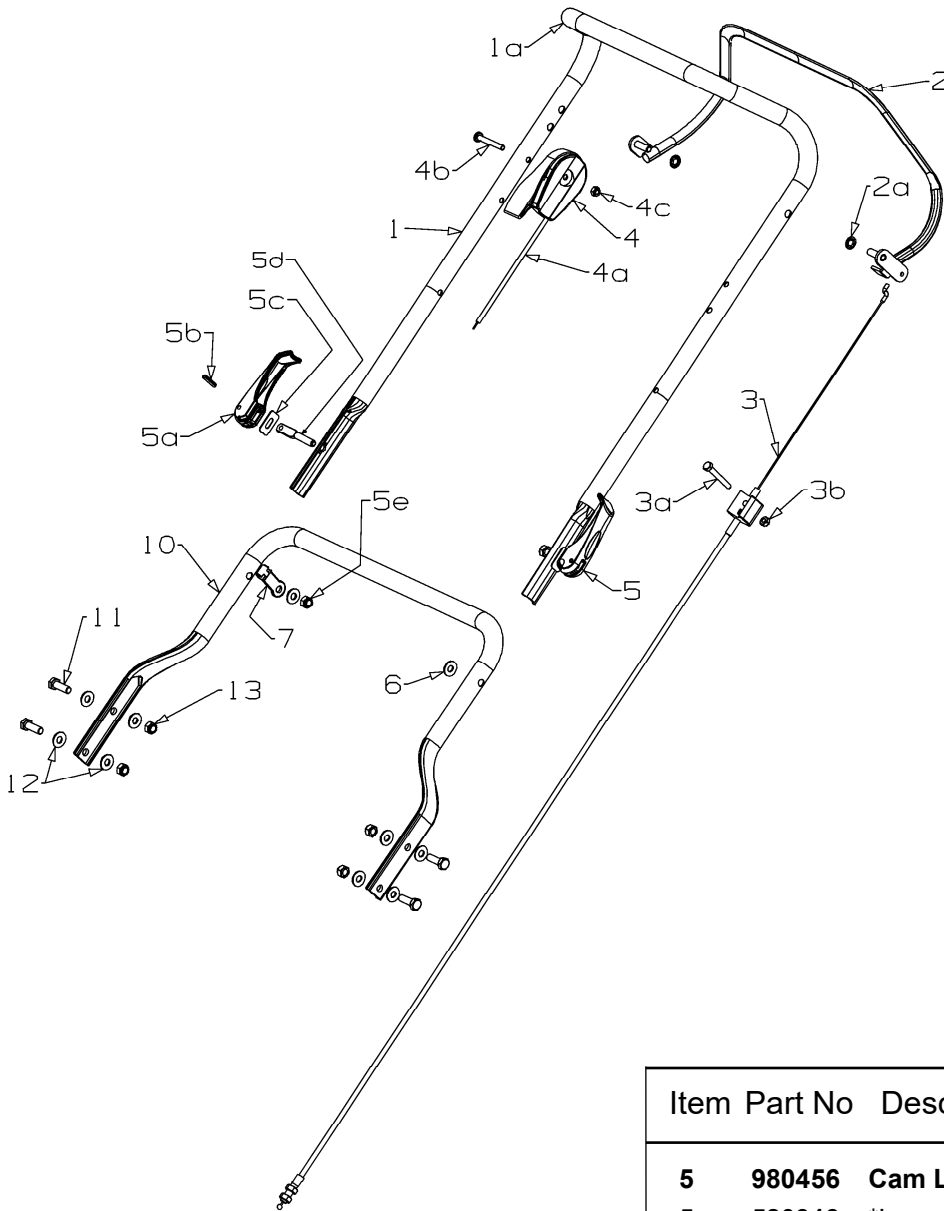
When ordering spares: PLEASE QUOTE PART NUMBER & Description, NOT illustrated number. Item Qty = 1 per part unless stated differently. **BOLD TEXT** = Assemblies. Text starting with * = items included in the assemblies & may not be available as a spares item. Determine the left hand or right hand sides by standing in the operating position (standing at the handle).



Item	Part No	Description	Qty
11	779755	Cam Lock Assy-MSV (1 per)	2
11a	503369	*Pin, Tension 5.0 x 22	1
11b	582419	*Lever Handle Locking	1
11c	016777	*Washer Slipper	1
11d	583041	*Stud Handle Lock 61mm	1
11e	501793	*Nut M8 Hex Nyloc x 8mm thick	1
12	501606	Washer, Flat 8 x 19 x 1.6	2
14	583504	Pivot- Bail Arm	2
15	503882	Grommet Blanking 3/4"(19mm)	2
16	580160	Screw- Set, M6 x 50	1
17	031990	Cable- Clutch, Reel Mower	1
18	501764	Nut, M6 Hex Nyloc x 6mm thick	1
23	031849	Handle- Lower, 500	1
24	501597	Screw, Set M8 x 20	4
25	501606	Washer, Flat 8 x 19 x 1.6	8
26	501793	Nut, M8 Hex Nyloc x 8mm thick	4

Item	Part No	Description	Qty
1	731847	Handle & Sleeve R/MWR	1
2	979279	Bail Arm Assy, SP MSV Red	1
3	503883	Bolt Hex M8 x 100	1
4	501793	Nut, M8 Hex Nyloc x 8mm thick	1
5	583458	Throttle Ctrl & Cable, Wescon	1
6	503604	*Screw, Pan M6 x 45	1
7	501764	*Nut, M6 Hex Nyloc x 6mm thick	1
8	983351	Mount Throttle, Top MSV	1
	583442	*Mount Throttle, Top Plain	1
9	583340	Cover Throttle Bottom	1
10	503650	Screw; S/T #12x11/16"	4

When ordering spares: PLEASE QUOTE PART NUMBER & Description, NOT illustrated number. Item Qty = 1 per part unless stated differently. **BOLD TEXT** = Assemblies. Text starting with * = items included in the assemblies & may not be available as a spares item. Determine the left hand or right hand sides by standing in the operating position (standing at the handle).

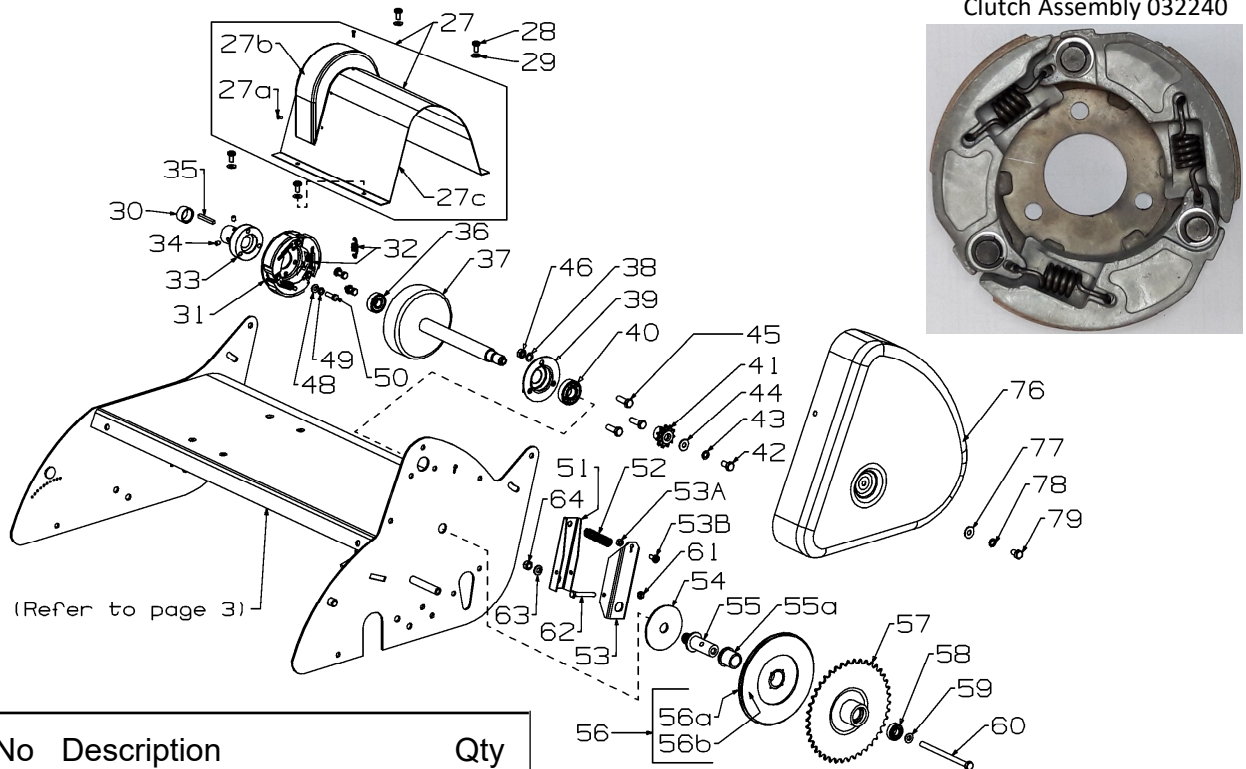


Item	Part No	Description	Qty
5	980456	Cam Lock Assembly (1 per)	2
5a	580313	*Lever- Handle Locking	1
5b	503369	*Pin, Tension 5.0 x 22	1
5c	016777	*Washer- Slipper S/S	1
5d	580690	*Stud- Handle Lock, 64mm	1
5e	501793	*Nut, M8 Hex Nyloc x 8mm thick	1
6	501606	Washer, Flat 8 x 19 x 1.6	2
7	581527	Retainer- Clutch Cable	1
10	031849	Handle- Lower, Reel Mower 500	1
11	501597	Screw, Set M8 x 20 Hex	4
12	501606	Washer, Flat 8 x 19 x 1.6	4
13	501793	Nut, M8 Hex Nyloc x 8mm thick	4

Item	Part No	Description	Qty
1/1a	773155	Handle & Sleeve R/Mwr	Sft/Blk 1
2	982161	Bail Arm Assy, SP	Red 1
2a	501365	Clip- Starlock, 5/16"	2
3	031990	Cable- Clutch, Reel Mower	1
3a	503604	Screw, Pan M6 x 45	1
3b	501764	Nut, M6 Hex Nyloc x 6mm thick	1
4/4a	583458	Throttle Ctrl & Cable Wescon	1
4b	503604	*Screw, Pan M6 x 45	1
4c	501764	*Nut, M6 Hex Nyloc x 6mm thick	1

When ordering spares: PLEASE QUOTE PART NUMBER & Description, NOT illustrated number. Item Qty = 1 per part unless stated differently. **BOLD TEXT** = Assemblies. Text starting with * = items included in the assemblies & may not be available as a spares item. Determine the left hand or right hand sides by standing in the operating position (standing at the handle).

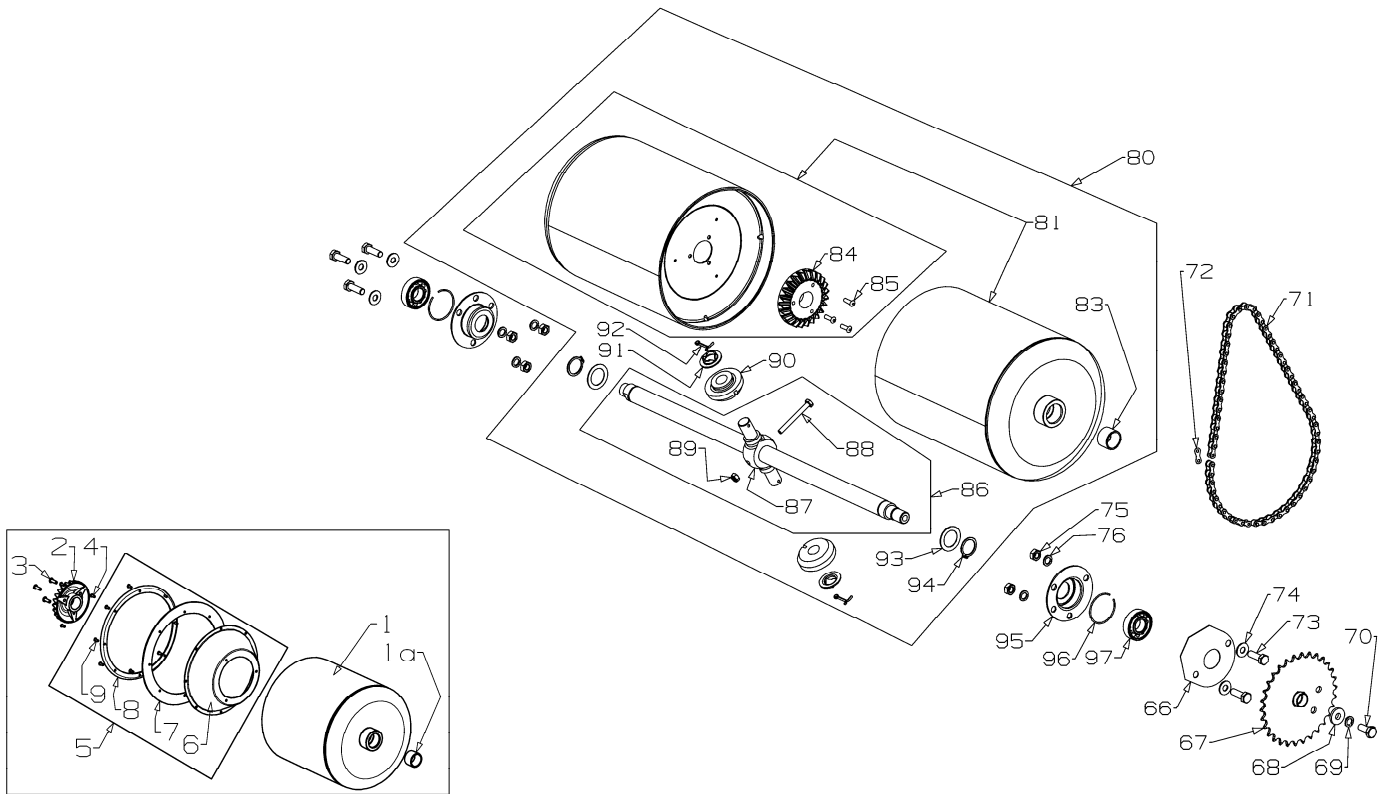
Clutch Assembly 032240



Item	Part No	Description	Qty	Item	Part No	Description	Qty
27	731589	Cover- Trans,500/660 GRN	1	50	503223	Screw, Set M6 x 16 HT8.8	3
27a	503429	*Rivet Pop 3.2 x 4.8 73AS4-3	4	51	031831	Lever- Clutch	1
27b	031907	*Cover Trans Moulded	1	52	031845	Spring- Clutch	1
27c	031589	*Cover- Trans, 500/600 Green	1	53	031830	Lever Carrier- Clutch	1
28	503591	Screw, Set M6 x 12	4	53a	501764	Nut, M6 Hex Nyloc x 6mm thick	1
29	501703	Washer, Flat 6 x 14 x 1.2	4	53b	503591	Screw- Pan M6 x 12	1
30	031958	Spacer- Drive Shaft, 13mm	1	54	031843	Washer. Flat 16.5 x 75 x 3.0	1
31	032240	Clutch- Drive Assy V2	1	55	031840	Post- Clutch	1
32	*005634	Clutch Spring	3	55a	031833	Bush- Back Plate	1
33	032241	Boss- Clutch, 19 Dia	1	56	031988	Sprocket-11T, Clutch Disk	1
33	032242	Boss- Clutch, 20 Dia	1	56a	031986	*Sprocket- Clutch Plate Assy	1
34	501719	Screw, Grub M6 x 8	2	56b	031987	*Liner- Clutch Face Cork	1
35	536178	Key- Cutter 3/16" square x 24	1	57	031963	Sprocket- 42T, Plate & Boss Assy	1
35	536012	Key- Engine 3/16" square x 38	1	58	503901	Bearing, Ball 12x28x8 6001 2RSH	1
36	501213	Bearing, Ball 12x32x10 6201 2RS	1	59	031965	Washer- Centralizing Brass	1
37	032236	Drum Assy, Clutch 500/660	17	60	503938	Bolt, M8 x 120 Hex	1
38	503747	Washer, Spg 8	3	61	501764	Nut, M6 Hex Nyloc x 6mm thick	1
39	002834	Housing- Bearing	1	62	580160	Screw, Set M6 x 50 Hex	1
40	503273	Bearing-Ball 17x40x12 6203 2S	1	63	031842	Washer, Thrust	1
41	002818	Sprocket- 11T, Drive	1	64	501793	Nut, M8 Hex Nyloc x 8mm thick	1
42	501715	Screw, Set M8 x 15 x 1mm Pitch	1	76	031585	Cover - Chain Case, Green	1
43	503747	Washer, Spg 8	1	77	501606	Washer, Flat 8 x 19 x 1.6	1
44	501606	Washer, Flat 8 x 18 x 1.6	1	78	503747	Washer, Spg 8	1
45	501597	Screw, Set M8 x 20 Hex	3	79	501863	Screw Set, M8 x 12	1
46	501602	Nut, M8 Hex	3				
48	501703	Washer, Flat 6 x 14 x 1.2	3				
49	500201	Washer, Spg 6	3				

When ordering spares: PLEASE QUOTE PART NUMBER & Description, NOT illustrated number. Item Qty = 1 per part unless stated differently.
BOLD TEXT = Assemblies. Text starting with * = items included in the assemblies & may not be available as a spares item.
 Determine the left hand or right hand sides by standing in the operating position (standing at the handle).

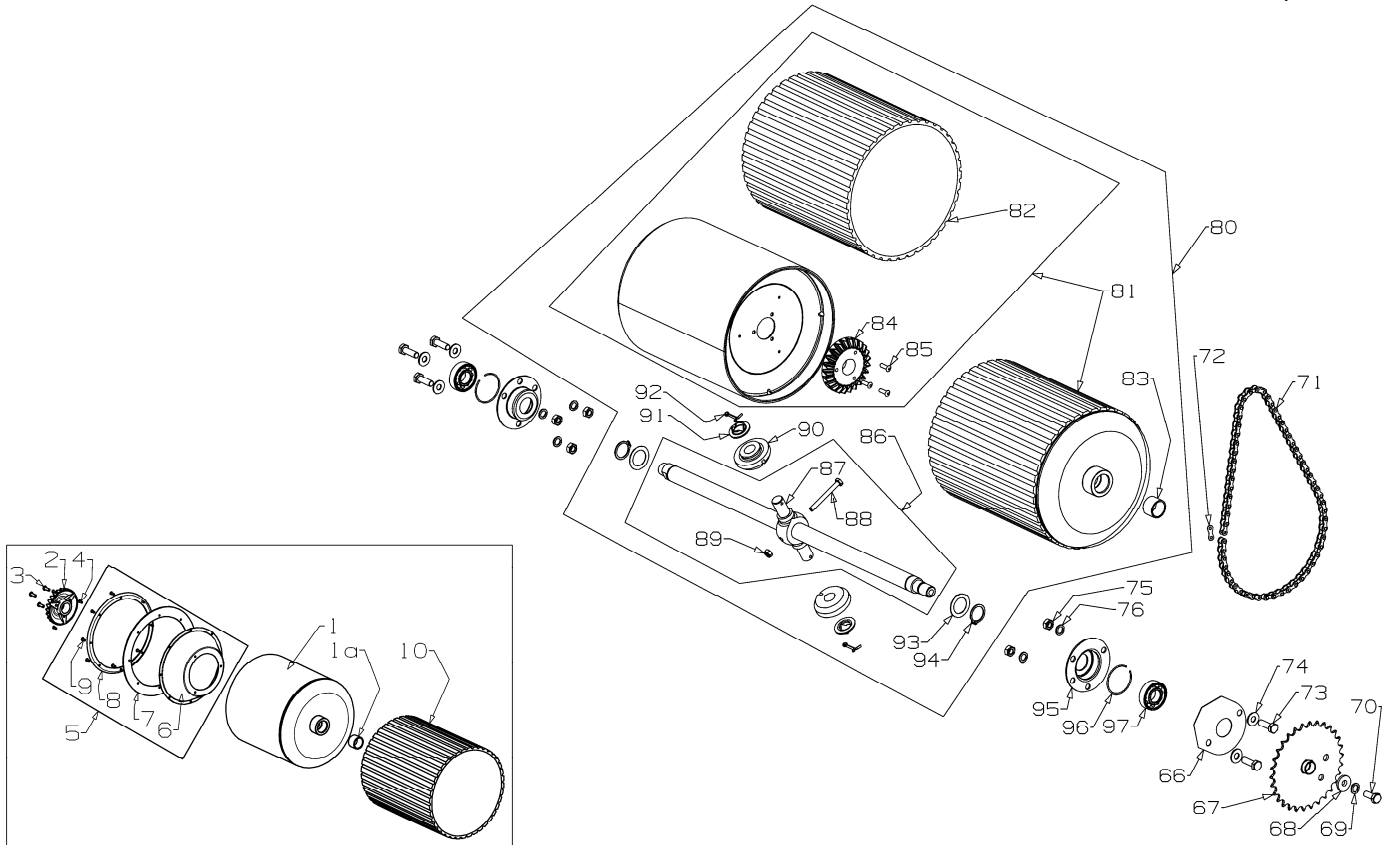
Rear Roller Assembly- Painted



Item	Part No	Description	Qty	Item	Part No	Description	Qty
66	002618	Plate- Seal, Bearing	1	90	*002708	Pinion-Bevel, 14T	2
67 A	002604	Sprocket & Boss Assy, Rear Roller	1	91	*008944	Collar	2
67 B	032188	Sprocket & Boss Assy, Rear Roller	1	92	*007473	Split Pin, 3.0dia x 30	2
68	503872	Washer, Flat 8 x 20 x 3.0	1	93	*002732	Washer-Flat, 22 x 40 x 2	2
69	503747	Washer, Spg 8	1	94	*007260	Circlip- 7/8" ext	2
70	501717	Screw, Set M8 x 20 x 1mm Pitch	1	95	000409	Housing-Bearing	2
71 A	004929	Chain, 3/16" x 1/2, 40P	1	96	004292	Ring- Bearing Housing	2
72	*731971	Link, Chain 1/2	1	97	503273	Bearing-Ball 17x40x12 6203 2S	2
71 B	032186	Chain, 3/16" x 1/2, 42P	1	031919 Roller- Rear, Half LH 500 Black			
72	*731971	Link, Chain 1/2	1	1	002701	Roller- Rear, Half 500 Plain	1
73	501597	Screw, Set M8 x 20	5	1a	007616	Bush- Rear Roller	1
74	501606	Washer, Flat 8 x 19 x 1.6	5	2	002707	Gear- Bevel, 24T	1
75	501602	Nut, M8 Hex	5	3	503399	Rivet- Pop 4.8 x 12.7 73SS6-8	3
76	503747	Washer, Spg 8	5	4	503429	Rivet- Pop 3.2 x 4.8 73AS4-3	3
80	031918	Roller- Rear, Assemble (Black)	1	5	002714	Rear Roller Seal Assembly	1
81	*031955	Roller- Rear, Half (Painted)	2	6	004845	*Carrier- Seal, Rear Roller	1
83	*007616	*Bush- Rear Roller	1	7	004847	*Seal- Rear Roller	1
84	*002707	*Gear-Bevel, 24t	1	8	004846	*Ring- Support, Rear Roller	1
85	*503399	*Rivet-Pop, 4.8 x 13 73 SS 6-8	3	9	503429	*Rivet- Pop 3.2 x 4.8 73AS4-3	8
86	*008947	Spindle-Rear Roller 500	1				
87	*008943	*Carrier- Bevel Pinion	1				
88	*567292	*Bolt-Hex M6 x 55 HT 8.8	1				
89	*501764	*Nut, M6 Hex Nyloc x 6mm thick	1				

When ordering spares: PLEASE QUOTE PART NUMBER & Description, NOT illustrated number. Item Qty = 1 per part unless stated differently. **BOLD TEXT** = Assemblies. Text starting with * = items included in the assemblies & may not be available as a spares item. Determine the left hand or right hand sides by standing in the operating position (standing at the handle).

Rear Roller Assembly- Sleeved



Item	Part No	Description	Qty	Item	Part No	Description	Qty
66	002618	Plate- Seal, Bearing	1	89	*501764	*Nut, M6 Hex Nyloc x 6mm thick	1
67 A	002604	Sprocket & Boss Assy, Rear Roller	1	90	*002708	Pinion-Bevel, 14T	2
67 B	032188	Sprocket & Boss Assy, Rear Roller	1	91	*008944	Collar	2
68	503872	Washer, Flat 8 x 20 x 3.0	1	92	*007473	Split Pin, 3.0dia x 30	2
69	503747	Washer, Spg 8	1	93	*002732	Washer-Flat, 22 x 40 x 2	2
70	501717	Screw, Set M8 x 20 x 1mm Pitch	1	94	*007260	Circlip- 7/8" ext	2
71 A	004929	Chain, 3/16" x 1/2, 40P	1	95	000409	Housing-Bearing	2
72	*731971	Link, Chain 1/2	1	96	004292	Ring-Bearing Housing	2
71 B	032186	Chain, 3/16" x 1/2, 42P	1	97	503273	Bearing-Ball 17x40x12 6203 2S	2
72	*731971	Link, Chain 1/2	1	008873 Roller- Rear, Half LH 500 Sleeved			
73	501597	Screw, Set M8 x 20	5	1	002701	Roller- Rear, Half 500 Plain	1
74	501606	Washer, Flat 8 x 19 x 1.6	5	1a	007616	Bush- Rear Roller	1
75	501602	Nut, M8 Hex	5	2	002707	Gear- Bevel, 24T	1
76	503747	Washer, Spg 8	5	3	503399	Rivet- Pop 4.8 x 12.7 73SS6-8	3
80	008875	Roller- Rear, Assemble (Sleeved)	1	4	503429	Rivet- Pop 3.2 x 4.8 73AS4-3	3
81	*031952	Roller- Rear, Half (Sleeved)	2	5	002714	Rear Roller Seal Assembly	1
82	*004619	Sleeve- Rubber, Rear Roller 500	1	6	004845	*Carrier- Seal, Rear Roller	1
83	*007616	Bush- Rear Roller	1	7	004847	*Seal- Rear Roller	1
84	*002707	Gear-Bevel, 24t	1	8	004846	*Ring- Support, Rear Roller	1
85	*503399	Rivet-Pop, 4.8 x 13 73 SS 6-8	3	9	503429	*Rivet- Pop 3.2 x 4.8 73AS4-3	8
86	*008947	Spindle-Rear Roller Assy 500	1	10	004619	Sleeve- Rubber, Rear Roller 500	1
87	*008943	*Carrier-Bevel Pinion	1				
88	*567292	*Bolt-Hex M6 x 55 HT 8.8	1				

When ordering spares: PLEASE QUOTE PART NUMBER & Description, NOT illustrated number. Item Qty = 1 per part unless stated differently. **BOLD TEXT** = Assemblies. Text starting with * = items included in the assemblies & may not be available as a spares item. Determine the left hand or right hand sides by standing in the operating position (standing at the handle).