

Masport[®]

ROTARY MOWERS

SERIES 18

Part Number
565863

Model
BW Machinery ST 183 20

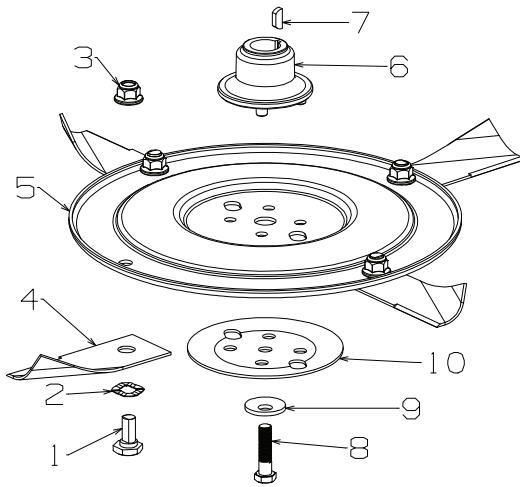
Engine
B&S 625EXi

Month and Year of First Manufacture: January 2021
From Serial Number: 8540645





460mm Disc Blade (Flat) Assembly

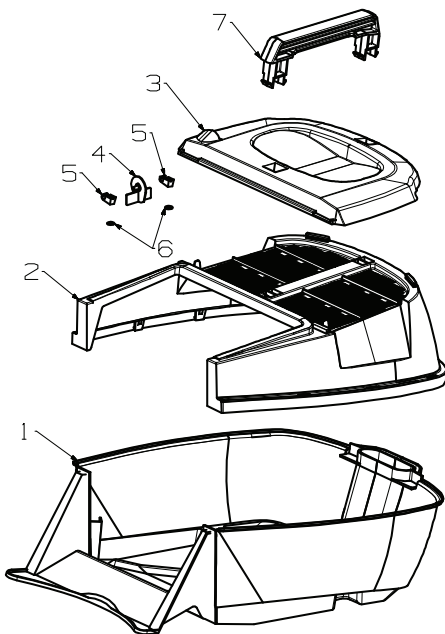


Item	Part No	Description	Qty
1	581707	Bolt- Pivot M10 x 22	4
2	580693	Washer, Wavy 13.4 x 24.2	4
3	503672	Nut, M10 Hex Nyloc Flange	4
4	529150	Blade- Swing Back, 460mm	4
5	980082	Disc Blade- Flat	1
6	567143	Driver- Blade, 22mm"	1
7	500636	Key, Woodruff, 5/8 x 5/32 x 1/4	1
8	503543	Bolt; Hex NF 3/8 x 1.5 NYG8	1
9	502297	Washer- Belleville 10 x 30 x 3	1
10	567332	Plate- Stiffener, Disc Blade Assy	1

Blade (Flat) & Bolt Sets

- 783692 Bolt Set (4)
 Includes Items: 1, 2, 3
- 729150 Blade- Swing Back, 460 (4per)
 Includes Items: 4 x 1, 2, 3, 4
- 980550 Disc Assy- Flat (4 Blade) 460mm
 Includes Items: 1, 2, 3, 4, 5, 10

Catcher Assembly - 18"



Item	Part No	Description	Qty
1	583295	Catcher- Bottom, 18" Brand Blk	1
2	579117	Catcher- Top, 18" Black	1
3	582567	Catcher-Lid, 18" Indicator Black	1
4	582548	Indicator- Catcher	1
5	582550	Clamp- Indicator Retainer	2
6	503381	Clip- Starlock, 4 dia	2
7	580673	Catcher- Handle, Plastic	1
Not Illustrated			
	582568	Decal, Catcher Indicator	1

Replacement Catcher Assembly

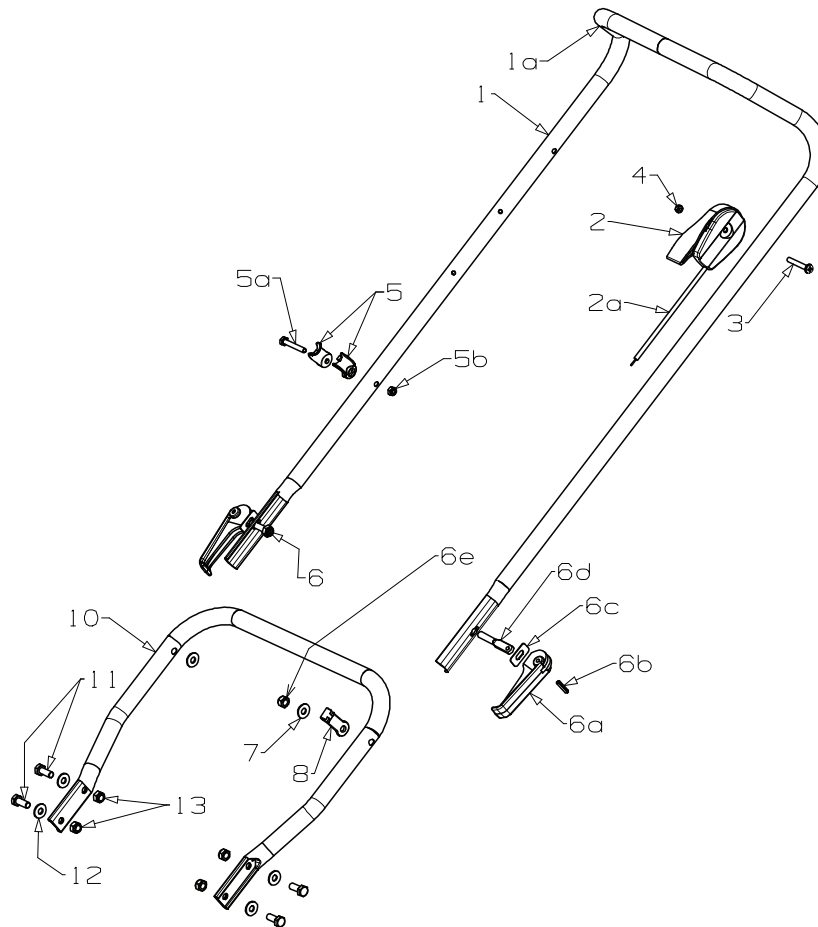
783006 Catcher Assy (Branded) 18" with "Grass Full Indicator" & Black Base



565863 Ser 18
 BW Machinery ST 183 20
 Spares Version

Masport®

Issue A.0
 May 2021 PB
 ECN # 04264
 IPL Ref # 765863



Item	Part No	Description	Qty	Not Illustrated	
1/1a	782335	Handle & Sleeve SFT/BLK	1	503054	Tie- Nylon Cable, Black 1
2/2a	583458	Throttle Ctrl & Cable, Wescon	1	568664	Decal, HSG Clean Skin 1
3	503604	*Screw, Pan M6 x 45 Poz	1	579414	Decal, Noise MAS Sil 75db 1
4	501764	*Nut, M6 Hex Nyloc x 6mm thick	1	580778	Stop- Rope 1
5	703856	Comfort Start Kit	1	581180	Instruct, Catcher Assy 1
5a	503794	*Screw, Set M6 x 40	1	582049	Decal, Flap Caution 1
5b	501764	*Nut, M6 Hex Nyloc x 6mm thick	1	582062	Decal, Height Combo 1
6	980456	Cam Lock Assembly (1 per)	2	583152	Owner Manual, Masport 1
6a	580313	*Lever- Handle Locking	1		
6b	503369	*Pin, Tension 5 x 22	1		
6c	016777	*Washer- Slipper S/S	1		
6d	583041	*Stud- Handle Locking 61mm	1		
6e	501793	*Nut, M8 Hex Nyloc x 8mm thick	1		
7	501606	Washer, Flat 8 x 19 x 1.6	2		
8	581527	Retainer- Control Cable, Handle	1		
10	981257	Handle- Lower, "U" 18"	1		
11	501597	Screw, Set M8 x 20	4		
12	501606	Washer- Flat, 8 x 19 x 1.6	4		
13	501793	Nut, M8 Hex Nyloc x 8mm thick	4		

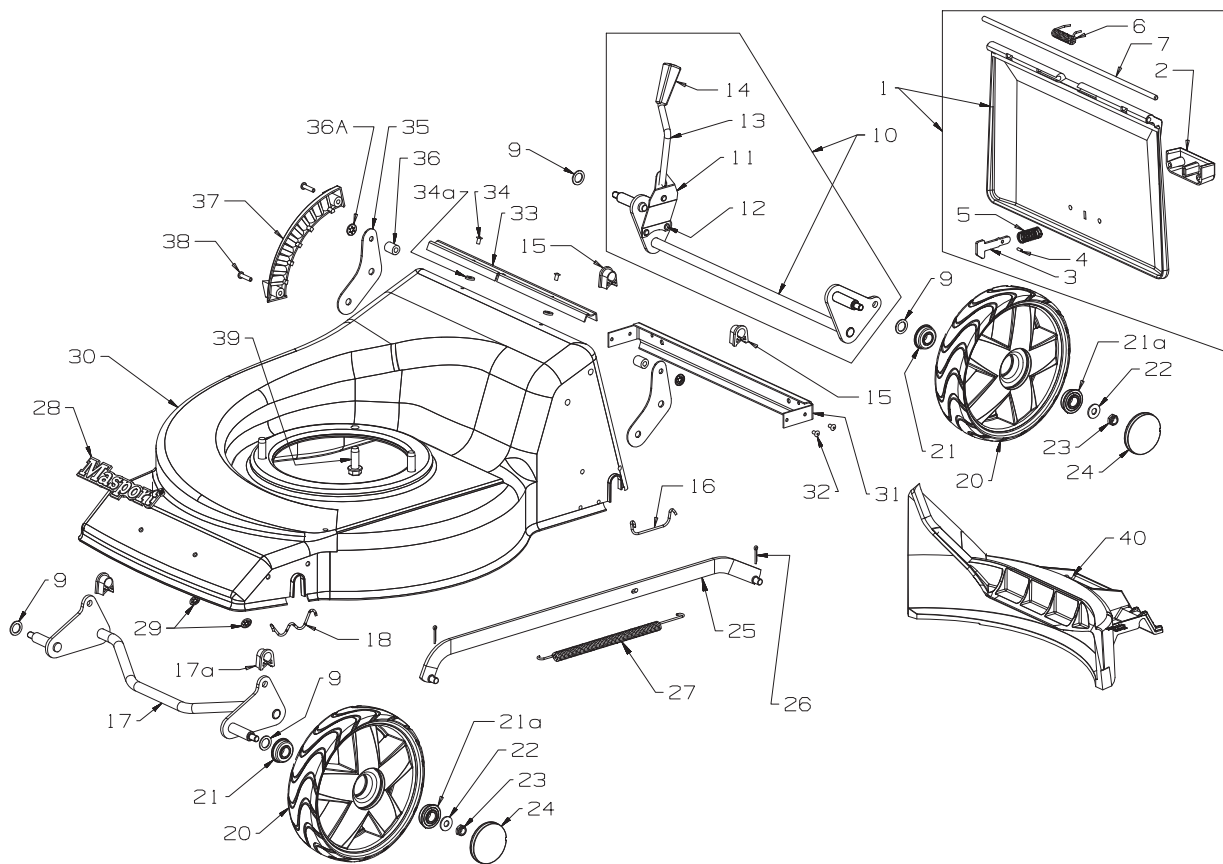
When ordering spares: PLEASE QUOTE PART NUMBER & DESCRIPTION, NOT illustrated number. Item Qty = 1 per part unless stated differently.
BOLD TEXT = Assemblies. Descriptions starting with * = items included in the assemblies & may not be available as a spares item.
 Determine the left or right hand sides by standing in the operating position (standing at the handle).



565863 Ser 18
 BW Machinery ST 183 20
 Spares Version

Masport®

Issue A.0
 May 2021 PB
 ECN # 04264
 IPL Ref # 765863



Item	Part No	Description	Qty	Item	Part No	Description	Qty
1	764242	Flap Assy- Plastic, Latched Blk	1	25	571030	Rod Assy- Connecting, 175mm	1
2	580602	*Handle- Flap	1	26	501056	Pin, Cotter 2.3dia x 16	2
3	981650	*Latch- Flap, Barbed	1	27	581463	Spring-Counter Balance	1
4	502019	*Pin, Tension 3.0 x 8	1	28	581240	Nameplate- MASPORT	1
5	581106	*Spring- Latch, Flap	1	29	503150	Clip- Starlock, 5 dia	2
6	581349	*Spring- Flap	1	30	783653	Hsg- Stl 18" ODS TTNM	1
7	779732	*Wire- Flap Pivot 6mm x 377mm	1	31	580608	*Brace- Rear, 3/4/600	1
9	503301	Washer, Flat 1/2 x 3/4 x 18g	4	32	581369	*Rivet- Pop 4.0d x 3.2 73SS5-2	4
10	783256	Axle Assy- Rear, Complete MSV	1	33	583151	Seal- Flap, Dust	1
11	580649	*Spring- Leaf	1	34	581369	Rivet- Pop 4.0d x 3.2 73SS5-2	2
12	503373	*Rivet- F/HD 3/16 x 27/64"	3	34a	502170	Washer, Nylon 5 x 12 x 2.0	2
13	980733	*Rod- Height Selector (Sq Knob)	1	35	567585	Bracket- Flap	2
14	580056	*Grip- Height Lever, Square Black	1	36	579733	Spacer- Flap	2
15	580668	Bush- Pivot, Rear Axle	2	36a	503574	Clip- Starlock, 6mm dia	2
16	579292	Retainer-Axle, Rear, Steel Deck	2	37	580025	Quadrant- Height Selector	1
17	983281	Axle Assy- Front, 200mm	1	38	503660	Rivet- Pop 4.8d x 9.0 73AS6-6	2
18	580030	Bush- Pivot, Axle	2	39	580453	Screw, S/T 3/ 8" x 1-1/8" UNC	3
19	529674	Retainer-Axle, Front "W"	2	40	583173	Insert- Mulching, 18"	1
20	579201	Wheel Assy-200mm, Spoked Blk (Includes 2 x 551212 per wheel)	4				
21	579694	Bearing- Wheel	4				
21a	551212	Bearing- Wheel, Ball	4				
22	501606	Washer, Flat 8 x 19 x 1.6	4				
23	503831	Nut, M8 Hex Nyloc 6mm thick	4				
24	579202	Hub Cap- Button Spoked Black	4				

When ordering spares: PLEASE QUOTE PART NUMBER & DESCRIPTION, NOT illustrated number. Item Qty = 1 per part unless stated differently.
BOLD TEXT = Assemblies. Descriptions starting with * = items included in the assemblies & may not be available as a spares item.
 Determine the left or right hand sides by standing in the operating position (standing at the handle).