

Masport®

ROTARY MOWERS

SERIES 16

Part Number
565873

Model
BW Machinery STL 21

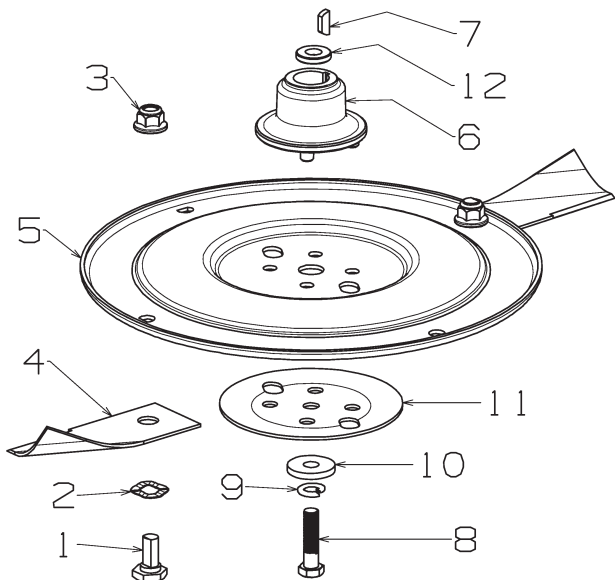
Engine 502360
Loncin 123cc

Month and Year of First Manufacture: May 2021
From Serial Number: 8572677





420mm Disc Blade Assembly- Flat



Item	Part No	Description	Qty
1	581707	Bolt- Pivot M10 x 22	2
2	580693	Washer, Wavy 13.4 x 24.2	2
3	503672	Nut, M10 Hex Nyloc Flange	2
4	529150	Blade- Swing Back, 420mm	2
5	564504	Disc Blade- Flat, 16"	1
6	567143	Driver- Blade , 22mm dia	1
7	500636	Key, Woodruff-5/8" x 5/32" x 1/4"	1
8	503543	Bolt; Hex NF 3/8" x 1.5 NYG8	1
9	500204	Washer, Spring 3/8"	1
10	503855	Washer, Flat 9.75 x 30 x 4.0	1
11	567332	Plate- Stiffener, Disc Blade Assy	1
12	573585	Spacer- Blade Driver 22 x 4	1

Blade & Bolt Sets (2 per 16")

783690 Bolt Set,

Inc Items 2 x 1, 2 & 3

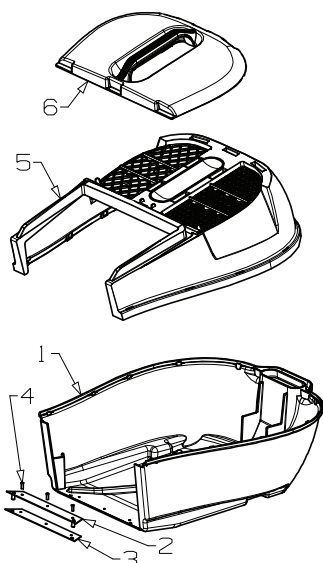
783455 460mm(18") Blade and Bolt Set

Includes Items: 2 x 1,2,3,4

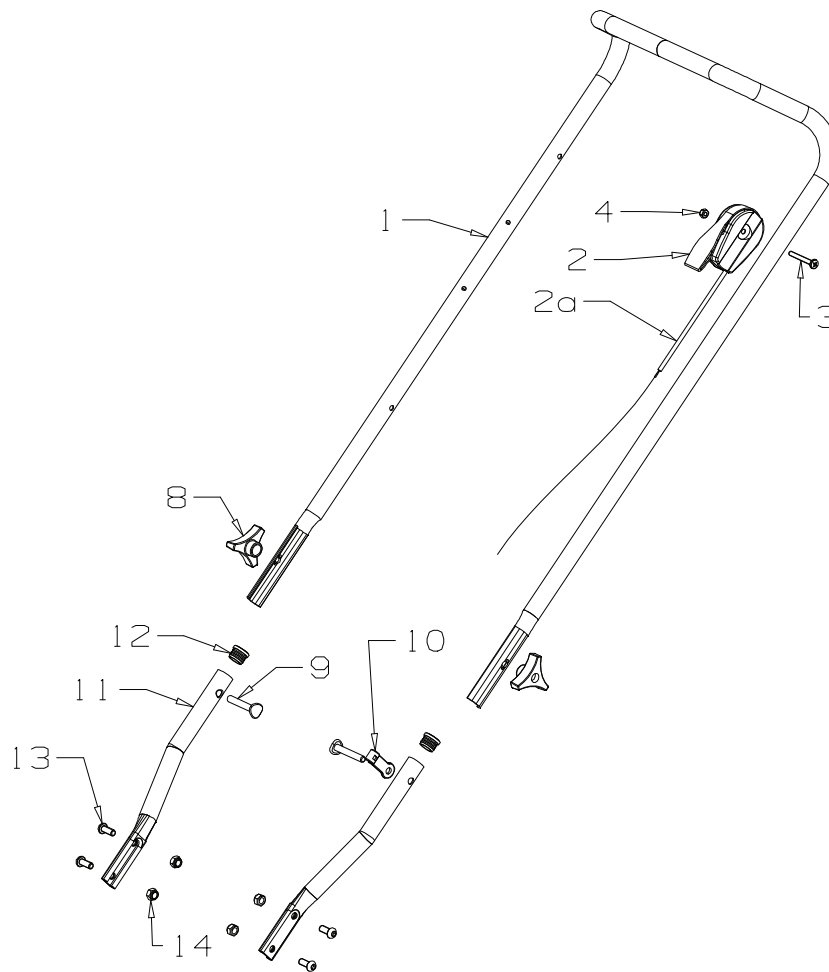
774371 Disc Assy- Flat (2 Blade) 420mm

Includes Items: 1, 2, 3, 4, 5, 8, 9, 10, 11

764541 Catcher Assembly 16" Grey/Blk



Item	Part No	Description	Qty
1	564541	Catcher Assy-Btm, 16" Masp Grey	1
2	564506	*Lip- Assy, 16" Catcher	1
3	564507	*Plate-Backing, 16" Catcher	1
4	501303	*Rivet- Pop 4.0x7.9 73AS5-5	3
5	579051	Catcher-Top, 19" Black	1
6	579050	Catcher-Lid, 19" Black	1



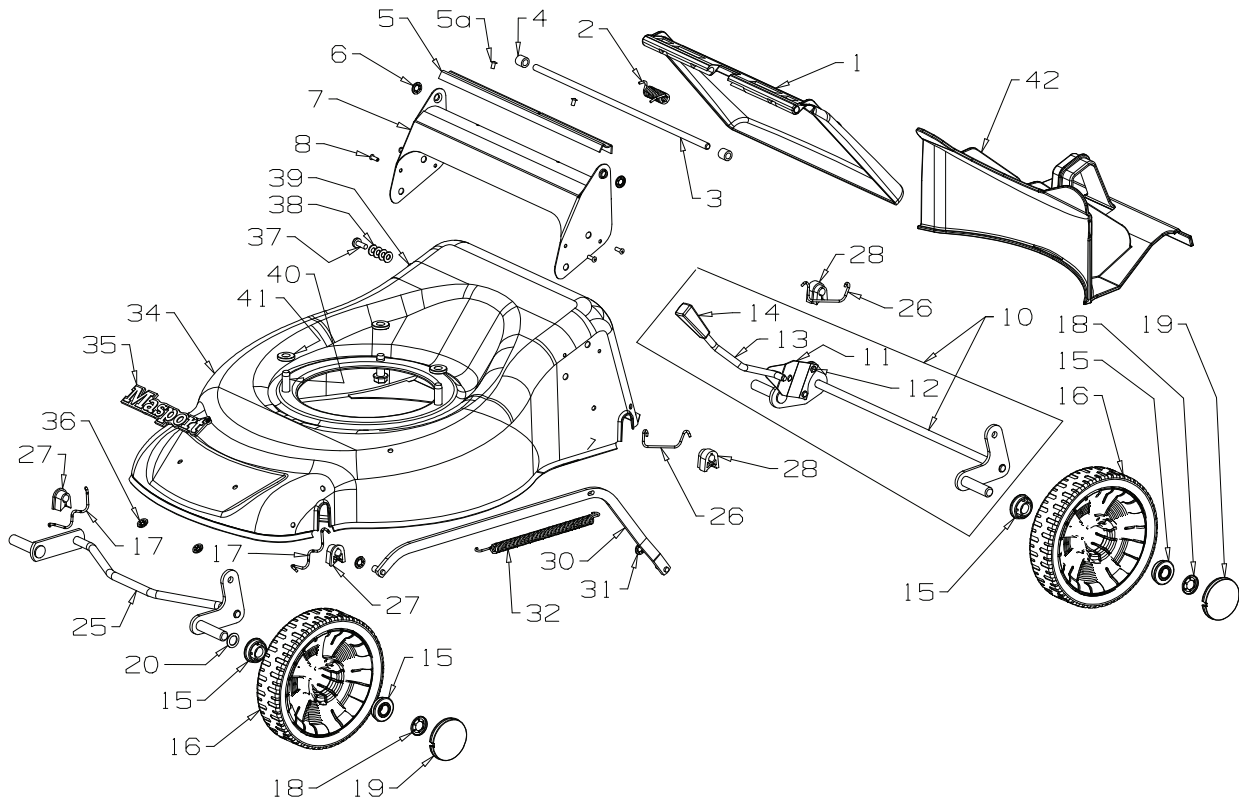
Item	Part No	Description	Qty	Not Illustrated		
1	767510	Handle & Sleeve	PVC/Chr	1	503054 Tie- Nylon Cable, Black	1
2/2a	583458	Throttle Ctrl & Cable	Wescon	1	568664 Decal, HSG BW Machinery	1
3	503604	*Screw, Pan M6 x 45 Poz		1	574146 Decal, Noise S16 100 96dB	1
4	501764	*Nut, M6 Hex Nyloc x 6mm thick		1	582049 Decal, Flap Caution	1
8/9	774230	Knob Lock Assembly (2 per)		1	583152 Owner Manual, Masport	1
8	574230	*Knob- Plastic, M8 Insert		2	583344 Instruct, Catcher Assy	1
9	574218	*Bolt, SPH M8 x 53 x 35		2		
10	581527	Retainer- Control Cable, Handle		1		
11	980692	Handle- Lower, Stub	Black	2		
12	503319	Plug- 22mm Black Plastic		2		
13	502107	Screw, Set M8 x 20 BTN/HD Blk		4		
14	501793	Nut, M8 Hex Nyloc x 8mm thick		4		



565873 Ser 16
BW Machinery Stl 21
Spares Version

Masport®

Issue A.0
July 2021 PB
ECN # 04294
IPL Ref # 765873



Item	Part No	Description	Qty	Item	Part No	Description	Qty
1	579056	Flap- Mower, 19"/21" Black	1	32	573844	Spring- Counter Balance, Ser 2	1
2	579213	Spring- Flap, 19" STL	1	34	764501	Hsg- Assy Stl 16" Chisel TTNM	1
3	564554	Wire- Flap Pivot 345mm x 8mm	1	35	581240	*Nameplate- Masport	1
4	564645	Spacer- Flap 12.7 x 8.2 x 12	2	36	503150	*Clip- Starlock, 5dia	2
5	583151	Dust Seal-Flap	1	37	503331	Screw, Pan M6 X 16	1
5a	581369	Rivet- Pop 4.0 dia x 3.2 73SS5-2	2	38	501703	Washer, Flat 6 x 14 x 1.2	4
6	501365	Clip- Starlock, 5/16"	2	39	501764	Nut, M6 Hex (Inside housing)	1
7	964492	Bracket- Flap Mount, S16 TTNM	1	40	580453	Screw; S/T 3/8 x 1-1/8" UNC	3
8	501303	Rivet- Pop 4.0 dia x 7.9 73AS5-5	4	41	573585	Spacer- Blade Driver 22 x 4	3
10	764664	Axle Assy- Rear,S16 7" Wheels	1	Spares Option			
11	580649	*Spring- Leaf	1	42	564544	Insert- Mulching, 16"	1
12	503373	*Rivet- F/HD 3/16x27/64"	3	Not Illustrated			
13	564498	*Rod- Height Selector, 16" STL	1	502360	Engine. LONCIN LC1P65FE-3	123cc	1
14	580056	*Knob- Height Lever,7.9dia Sq Blk	1				
15	579694	Bearing- Wheel, Plastic	8				
16	564552	Wheel Assy- 175 Cobra Graphite (Includes 2 x 551212 per wheel)	4				
17	529674	Retainer- Axle, Front "W"	2				
18	503236	Clip- Starlock, 1/2"	4				
19	564553	Hub Cap- Button, Spoked Graphite	4				
20	503301	Washer, Flat 1/2 x 3/4 x 18g	1				
25	564481	Axle Assy- Front,S16 6" Wheel	1				
26	579292	Retainer- Axle, Rear, Stl Deck	2				
27	564499	Bush- Pivot, Axle Front S16	2				
28	564500	Bush- Pivot, Axle Rear S16	2				
30	564531	Rod Assy-Connecting, S16 x 7"W	1				
31	501365	Clip- Starlock, 5/16"	2				

When ordering spares: PLEASE QUOTE PART NUMBER & DESCRIPTION, NOT illustrated number. Item Qty = 1 per part unless stated differently.
BOLD TEXT = Assemblies. Descriptions starting with * = items included in the assemblies & may not be available as a spares item.
 Determine the left or right hand sides by standing in the operating position (standing at the handle).