

Masport®

OUTDOOR POWER EQUIPMENT

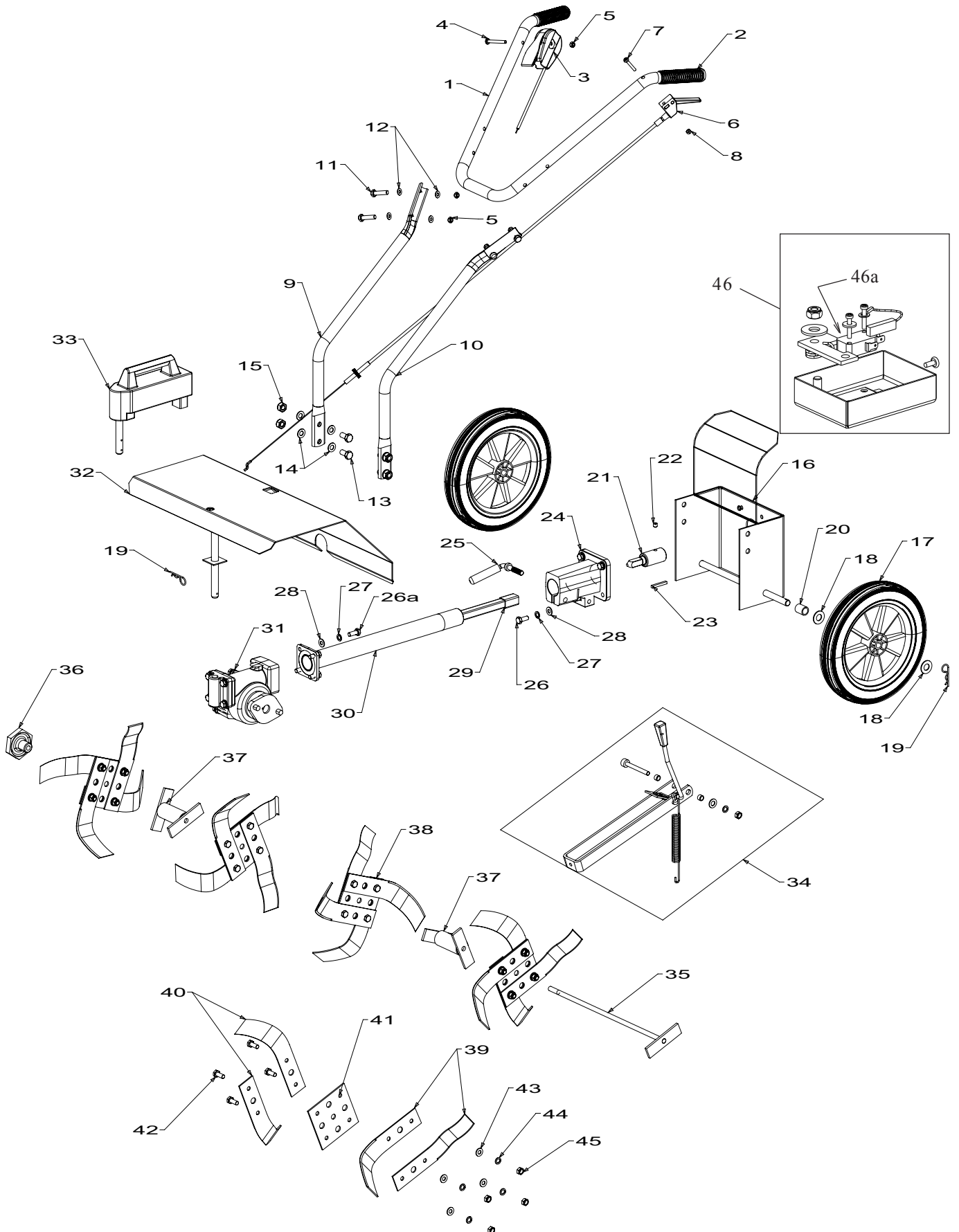
HOME GARDENER 4 WAY OPC

	<u>Part number</u>	<u>Model</u>	<u>Engine</u>
MASPORT	550905	MK II 4 WAY	B & S Series 550 HRZ

Month and Year of First Manufacture - January 2010

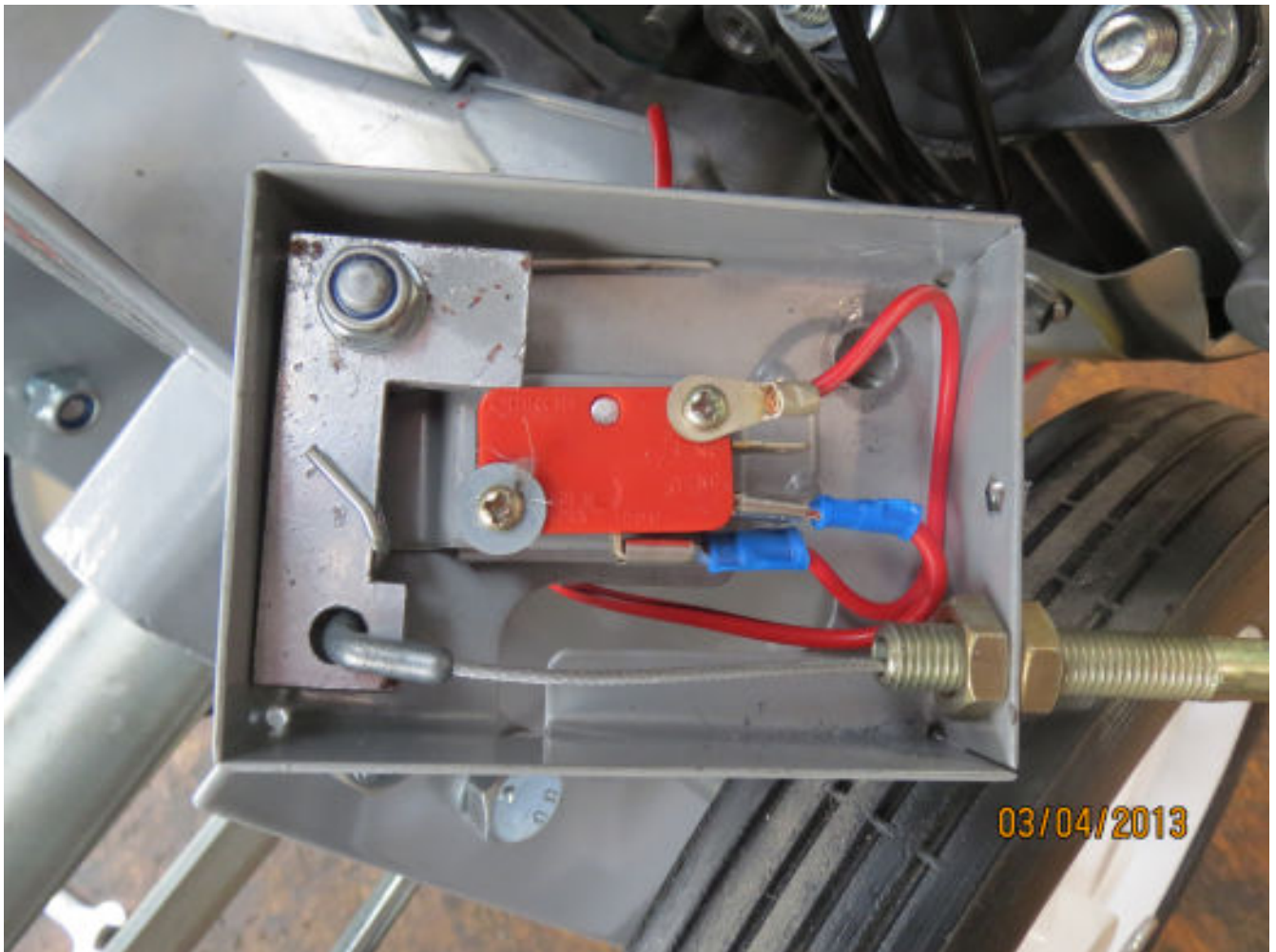
From Serial Number - 7286455

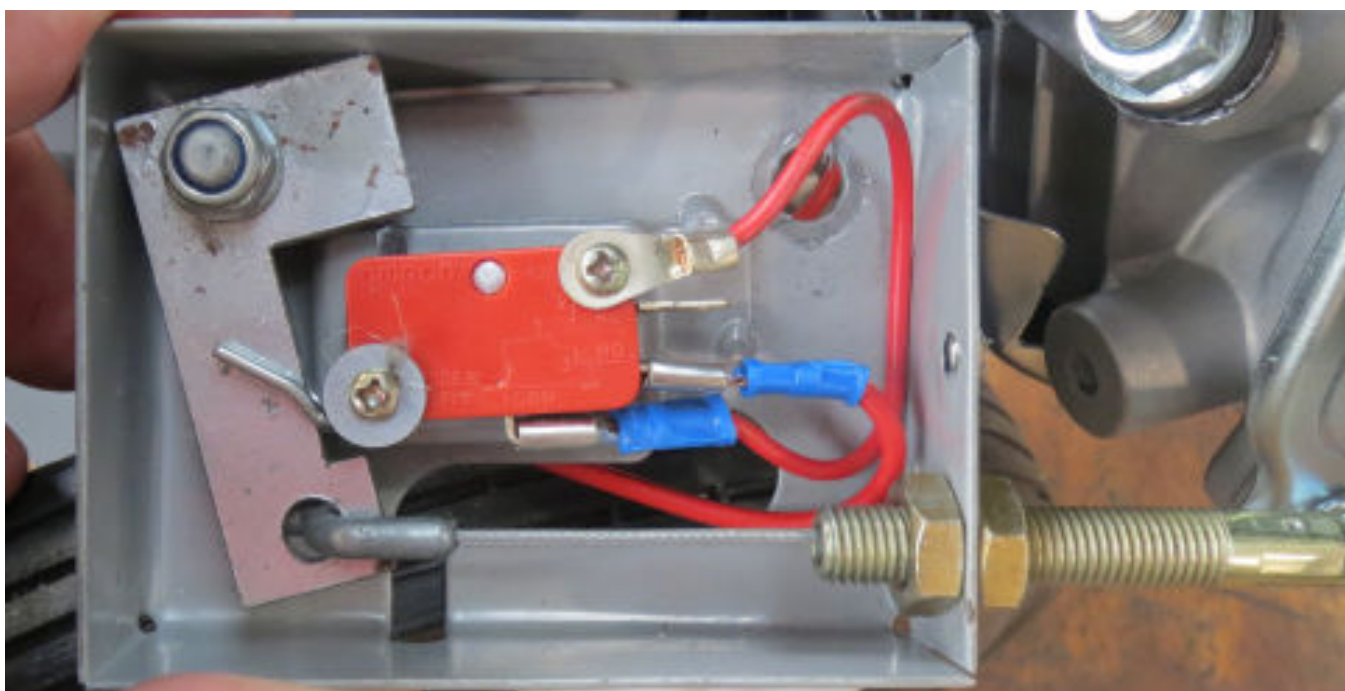
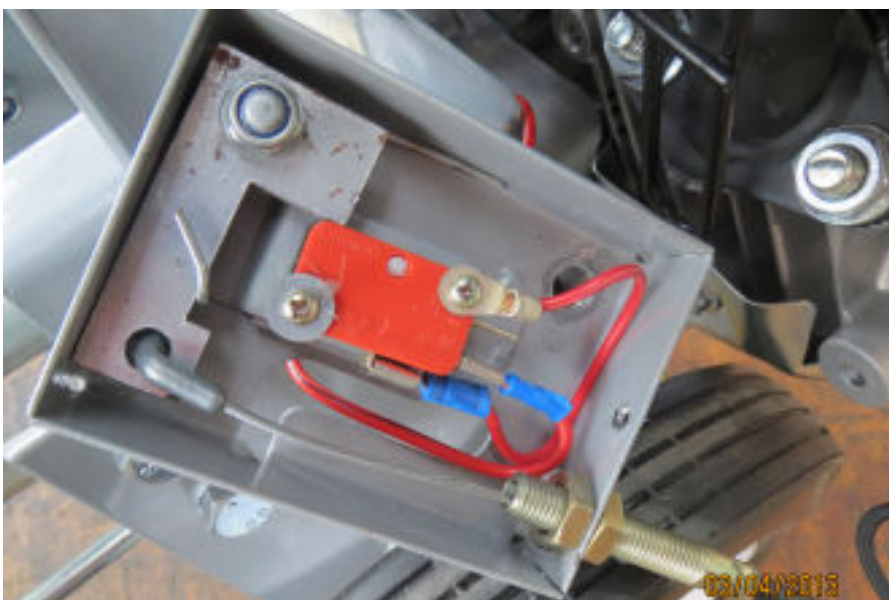






Item No	Part No	Description	Qty	Item No	Part No	Description	Qty
1	950143	Handle- Upper, Silver HG	1	38	550062	Tine Assy	4
2	550368	Handle Grip, Plastic	2	39	550040	*Tine- Curved, RH HG	8
3	583458	Control- ThrottleAssy Wescon	1	40	550041	*Tine- Curved, LH HG	8
4	503604	Screw, Pan M6x45	1	41	950009	*Plate- Tine	4
5	501764	Nut, M6 Nylocx 6 Thck	5	42	501597	*Screw, Set M8x20 Hex	16
6	555796	Lever & Cable Assy- Safety	1	43	501744	*Washer, Flt 8x17x1.6	16
7	503604	Screw, Pan M6x45	1	44	503747	*Washer, Spg 8	16
8	501764	Nut, M6 Nyloc 6 Thck	1	45	501602	*Nut, M8 Hex	16
9	950145	Handle- Lower, RH Silver HG	1	46	555797	Switch Box Assy, HG incl	1
10	950144	Handle- Lower, LH Silver HG	1	46a	555807	*Switch- Micro	1
11	501815	Screw, Set M6x35	4	NOT ILLUSTRATED			
12	501703	Washer, Flt 6x14x1.2	4	503488	Clamp- Cable, Throttle		1
13	501760	Screw, Set M10x20	4	503489	Screw, Set M5x16		1
14	501704	Washer, Flt 10x19x1.6	9	550012	Rod Assy 7 - 1/2" (190 mm)		1
15	501680	Nut, M10 Nyloc 10 Thck	4	550046	Rod Assy 11 - 1/4" (280 mm)		1
16	550393	Chassis Assy, HG Ver 2	1	550076	Drive Assy, Edger		1
17	550010	Wheel & Tyre Assy, HG	2	550077	Disk- Edger, HG		1
18	501743	Washer, Flt 14x28x1.8	4	550078	Cultivating Tool		1
19	530281	Clip- Hairpin, Large HG	3	550136	Rotary Brush		1
20	550396	Spacer- Wheel, Axle Ver 2	2	550395	Plate-mount, C/Off Switch		1
21	550164	Coupling- Engine HG	1	555064	Owner Manual		1
22	503386	Screw, Grub M8x8	1	581527	Retainer-Clutch Cable		1
23	536012	Key- Engine 3/16"SQ x 38	1	550178	Decal,Noise CE		1
24	950376	Housing, Drive Cast HG	1	Consumables			
25	550018	Locking Clamp- Bolt	1	503335	Oil, Gear Head 250ml OMA LA 800		1
26	501345	Screw, Set NF 5/16x1.25 Hex	4	Gear Head Components			
26a	501597	Screw, Set M8x20	4	502067	Circlip, 20 EXT DIN 471		
27	503747	Washer, Spg 8	8	503416	Plug- 1/4" BSPT Hex PressureHT		
28	501744	Washer, Flt 8x17x1.6	8	550049	Gasket - Tine Shaft		
29	550400	Drive Shaft, Ver 2	1	950095	Washer- Shim 0.127 mm		
30	550312	Outer Tube Assy- Drive	1	950096	Washer- Shim 0.254 mm		
31	950334	Gear Head Assembly (Basic)	1	550336	Gasket- Bearing Cover Plate		
31	550333	Gear Head Assy (+Drivers incl)	1	550378	Seal, Oil 25x40x10		
31	500012	*Key- Woodruff 3/16"x3/4"	2	550379	Seal, Oil 19x35x10		
31	550012	*T Bolt 7 1/2" (190mm)	1	950003	Gear Shaft Wormwheel		
31	550016	*Nut-Hand, T Bolt	1	950005	Washer- Thrust		
31	550006	*Driver-Gearbox	2	950007	Cover- Plate, Ball Race		
32	555790	Tine Shield Assy	1	950031	Wormwheel- 28 T		
33	550106	Weight- Stabiliser, Cast	1	950329	Worm, 20mm Brg		
34	550327	Stand Assy- Support HG incl	1	950331	Gear Case- Bushed		
34	550319	*Spring- Stand	1	950335	Plate- Cover, Front		
34	580056	*Grip-Height Lever	1	<i>Note - Number Change Only (April 2013)</i>			
35	550013	T Bolt, 14-1/2" (370mm)	1	<i>Was 550158 Handle - Lower RH Now 950145</i>			
36	550016	Nut- Hand, T Bolt	1	<i>Was 550157 Handle - Lower LH Now 950144</i>			
37	950015	Spacer- Tine	2	<i>Was 550156 Handle - Upper Now 950143</i>			





When ordering PLEASE QUOTE PART NUMBER & Description, NOT Illustration No.
Determine right or left hand side from standing in operating position (standing at handle)
Bold Text = Assemblies, **Bulleted Text** * = Items included in the Assemblies



MASPORT HOME GARDENER ACCESSORY KIT PART NUMBER - 550019

This KIT contains the following items,

- A. 1 x 7.5 inch (190mm) 'T' Bolt, used to convert your set of fitted four tines down to two.
- B. 1 x 11 inch (280mm) 'T' Bolt, used to secure the Edger Disc, Cultivating Tool or Brush.
- C. 1 x Spacer Drive
- D. 1 x Edger Disk
- E. 1 x Cultivating/Aeration Tool
- F. 1 x BrushRemove the Tines from your HOME GARDENER and place aside to a safe place.
Retain the 'Hand Nut' for use to attach other accessories

Edging Tool - (Requires items B, C & D)

To Fit : Slide the 11inch (280mm) 'T' Bolt(B) through the Edger Disc(D) and Spacer Drive(C) then through the GearHead. Ensure that the Lugs on the Spacer engage with the corresponding holes on the Edger Disc. The Edger Disc must revolve forward therefore the short side of each tooth should be in the leading position. Tighten the Hand-nut onto the 'T' Bolt to secure the assembly.

Cultivating/Aeration Tool - (Requires items B, C & E)

To Fit : Slide the 11inch (280mm) 'T' Bolt(B) through the Cultivating Tool(E) and Spacer Drive(C) then through the GearHead. Tighten the Hand-nut to secure the assembly.

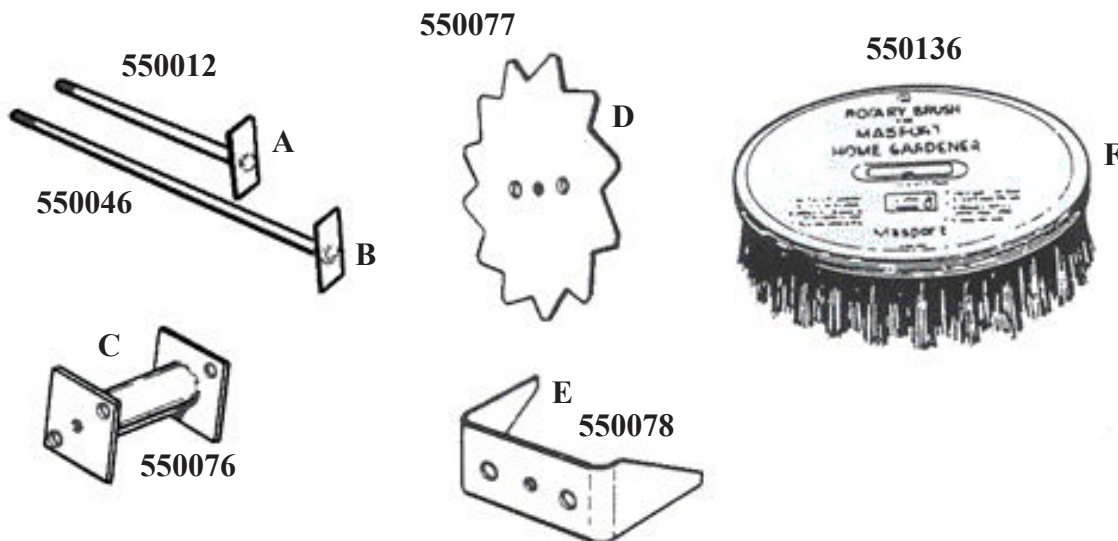
Loosen the clamp that holds the extension shaft and twist the GearHead 90 degrees, tighten clamp.

Brush - (Requires items B & F, plus one spacer drive)

To fit : Slide the 11 inch (280mm) 'T' Bolt(B) through the Brush(F) and a Tine Spacer, then through the GearHead. Tighten the Hand-nut to secure the assembly.

Loosen the clamp that holds the extension shaft and twist the GearHead 90 degrees, tighten clamp.

NOTE HAND-NUT Not include with kit





HOME GARDENER MK II 4WAY

Home Gardener Brush



Home Gardener Edger



Home Gardener Cultivating Tool

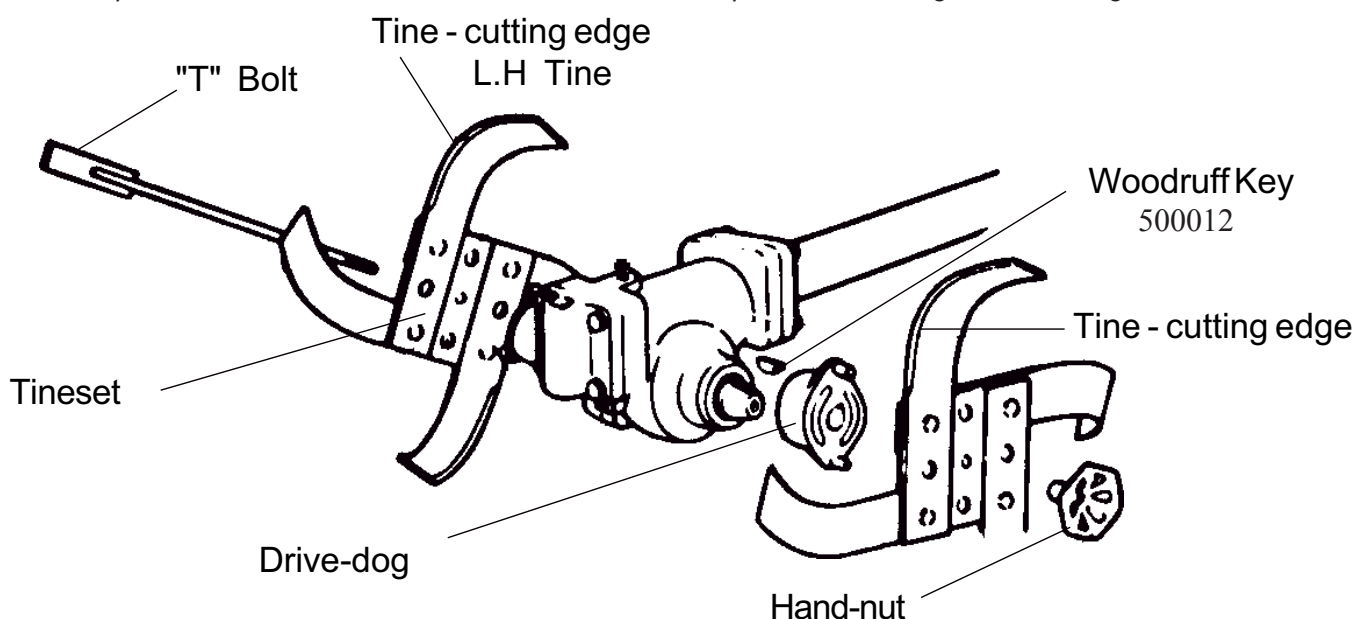


For the assembly of these products, refer to page 4

NOTE: Left or Right hand side of the machine is determined when standing in the operating position

NOTE: To determine right or left hand tine - hold tine in horizontal position with cutting edge uppermost and pointing away from you.

If the tip curves to the left - tine is "Left Hand" If the tip curves to the right - tine is "Right Hand"



Changes

Due to an Engine change, items 16,20 & 29 were redesigned. S/Numbers greater than 7567837 use the items as illustrated. Home Gardeners with S/Numbers 7286455 ~ 7422339 used as follows: 16 = 950382 x 1, 20 = 550367 x 2, 29 = 550357 x 1

Very early models of this product manufactured prior to the year 2000 used an Imperial designed gearbox. Parts in this type of gearbox are no longer able to be replaced and a replacement metric designed gearbox assembly 950334 (Item 31 pages 2 & 3) is now recommended along with 550312 Outer Tube Assembly Drive (Item 30 Pages 2 & 3).