

Pro-Stance 36 [AGU994149]
(002000+)

TABLE OF CONTENTS

| | |
|--|----|
| AGU994149 Unit | 3 |
| AGU994149 Belt Covers | 5 |
| AGU994149 Continuity Diagram | 7 |
| AGU994149 Decals - Safety | 9 |
| AGU994149 Decals - Style - 36" | 11 |
| AGU994149 Deck Lift | 13 |
| AGU994149 Deck Lift Foot Assist | 15 |
| AGU994149 Deck Lift Linkage | 17 |
| AGU994149 Deck Lift Mounts | 19 |
| AGU994149 Deck, Belts, Blades & Spindles - 36" | 21 |
| AGU994149 Discharge Chute | 23 |
| AGU994149 Drive Belt & Clutch | 25 |
| AGU994149 Drive Controls | 27 |
| AGU994149 Drive Controls Continued | 29 |
| AGU994149 Electrical | 31 |
| AGU994149 Electrical Diagram | 34 |
| AGU994149 Engine & Frame | 36 |
| AGU994149 Fenders | 39 |
| AGU994149 Front Casters | 41 |
| AGU994149 Fuel System | 43 |
| AGU994149 Height of Cut | 46 |
| AGU994149 Idlers & Sheaves | 49 |
| AGU994149 Operator Pad & Switches | 52 |
| AGU994149 Operator Platform | 54 |
| AGU994149 Parking Brake | 56 |
| AGU994149 Pivoting Idler | 58 |
| AGU994149 Pivoting Idler Continued | 60 |
| AGU994149 Rear Tires & Transaxles - 36" | 62 |
| AGU994149 Tower & Dash | 65 |
| AGU994149 Tower & Dash Continued | 67 |
| AGU994149 Transaxle Guards | 69 |

AGU994149 Unit

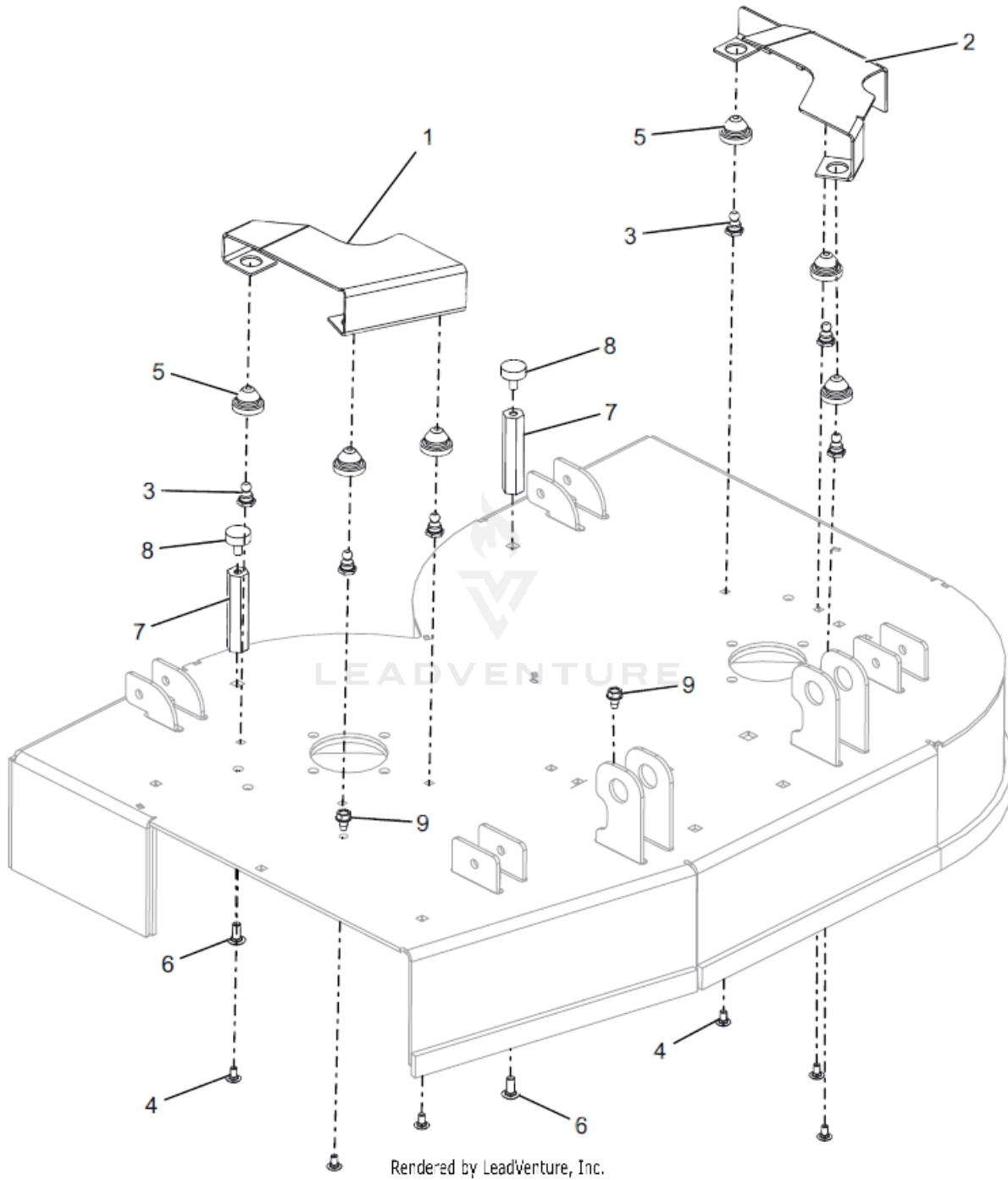


Rendered by LeadVenture, Inc.

AGU994149 Unit

| Ref Number | Part Number | Part Description | Context Notes | Quantity |
|-------------------|--------------------|---|----------------------|-----------------|
| 1 | AGU994149 | PRO-STANCE 36FL - 18.5HP KAWASAKI FS600V, ZT3100 TRANSAXLES | | 1 |

AGU994149 Belt Covers



Rendered by Leadventure, Inc.

AGU994149 Belt Covers

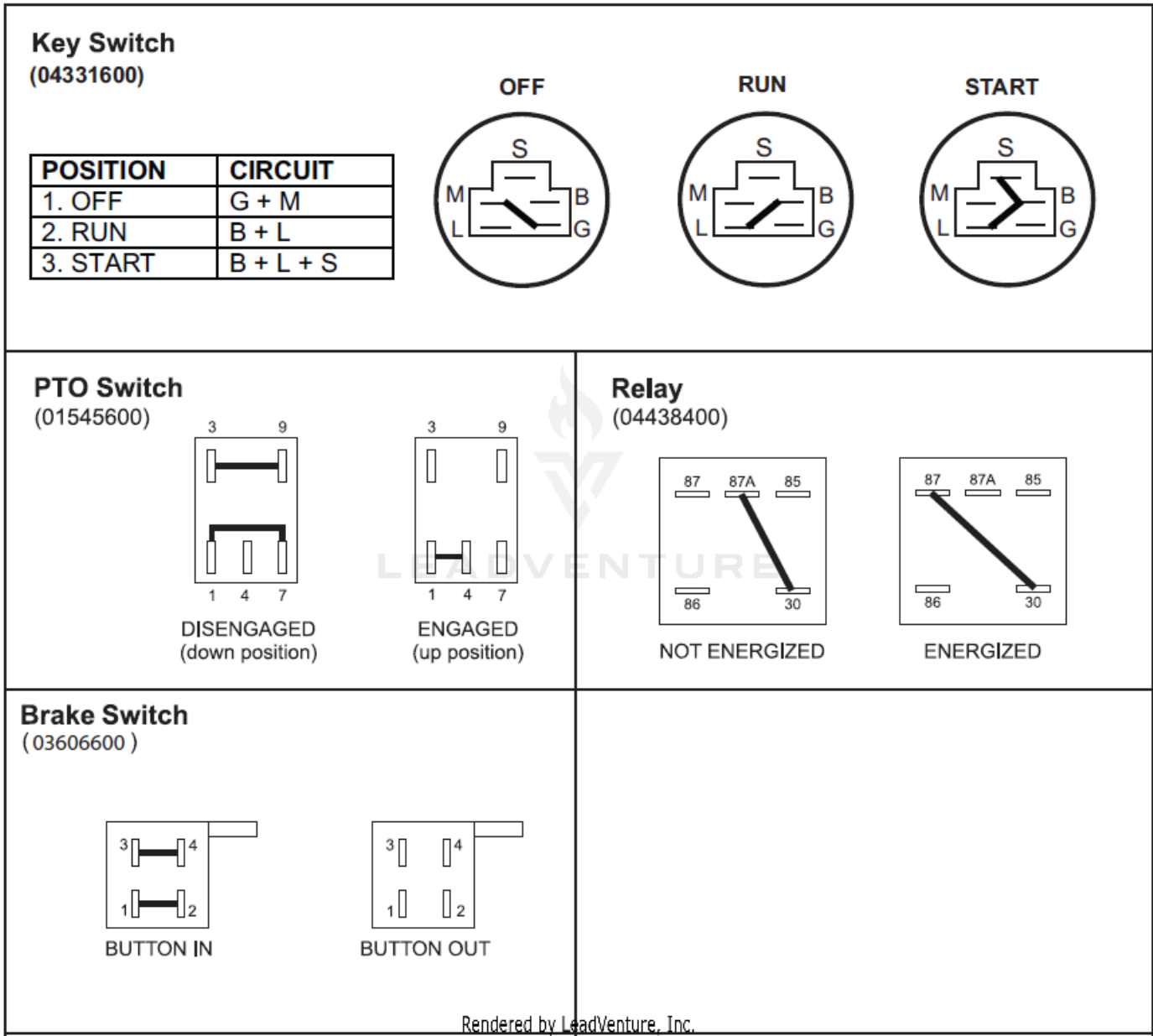
| Ref Number | Part Number | Part Description | Context Notes | Quantity |
|-------------------|--------------------|-------------------------------------|----------------------|-----------------|
| 1 | AGP05282053 | GUARD, RH DECK BELT (RED) | | 1 |
| 2 | AGP05282153 | GUARD, LH DECK BELT (RED) | | 1 |
| 3 | AGP05275900 | STUD, BALL FEMALE .250-20 THREAD | | 6 |
| 4 | AGP06200305 | BLT, RHSSN.25-20X.500 G5 ZCC | | 6 |
| 5 | AGP07500429 | COUPLING, RUBBER PUSH-IN | | 6 |
| 6 | AGP06200309 | BLT, RHSSN.31-18X.750 G5 ZCC | | 2 |
| 7 | AGP07001831 | NUT, .31-18 x 3.500 LG COUPLING | | 2 |
| 8 | AGP07533600 | BUMPER, RUBBER | | 2 |
| 9 | AGP07400124 | SCR,TAP .312-18X.50 HWH TR ZCC | | 2 |

AGU994149 Continuity Diagram

The diagrams below show the various states of connection for electrical components.

The solid lines on switches show continuity.

NOTE: All switches are viewed from the rear.



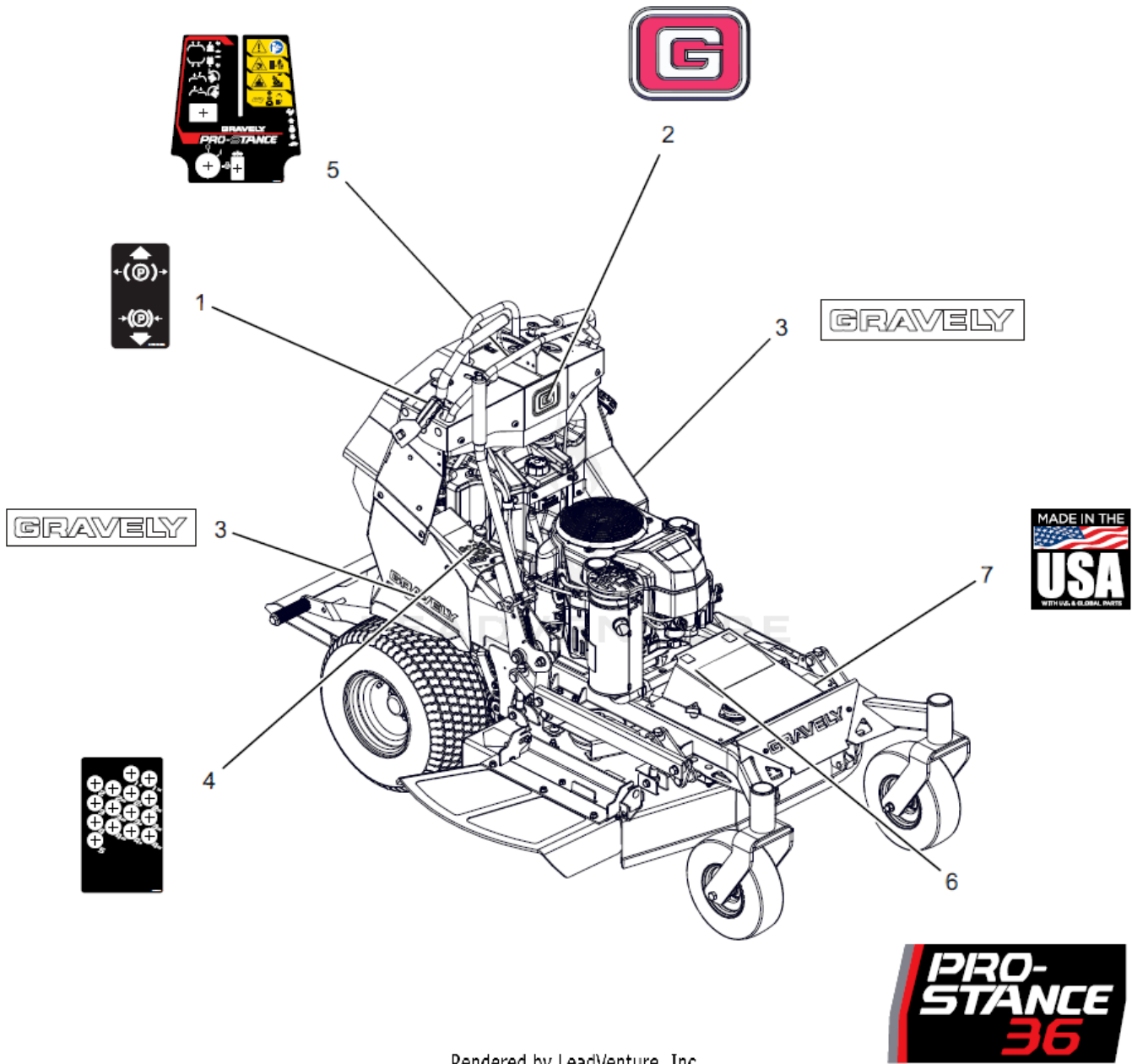
AGU994149 Continuity Diagram

| Ref Number | Part Number | Part Description | Context Notes | Quantity |
|-------------------|--------------------|-------------------------|----------------------|-----------------|
|-------------------|--------------------|-------------------------|----------------------|-----------------|

AGU994149 Decals - Safety

| Ref Number | Part Number | Part Description | Context Notes | Quantity |
|-------------------|--------------------|--------------------------------|----------------------|-----------------|
| 1 | AGP03271900 | DECAL, TRANSMISSION DISCONNECT | | 2 |
| 2 | AGP07700221 | DECAL, FUSE BOX | | 1 |
| 3 | AGP07754100 | DECAL, HOT SURFACE | | 2 |
| 4 | AGP07800410 | DECAL, DECK SAFETY | | 2 |
| 5 | AGP07800402 | DECAL, SAFETY - DECK GUARDING | | 1 |
| 6 | AGP07800741 | DECAL, SAFETY | | 1 |
| 7 | AGP07800928 | DECAL, HOURMETER - SECURITY | | 1 |
| 8 | AGP07700222 | NEEDS DESCRIPTION | | 1 |
| 9 | AGP07800820 | DECAL, FUEL WARNING | | 1 |
| 10 | AGP02988100 | DECAL, DANGER | | 1 |

AGU994149 Decals - Style - 36"

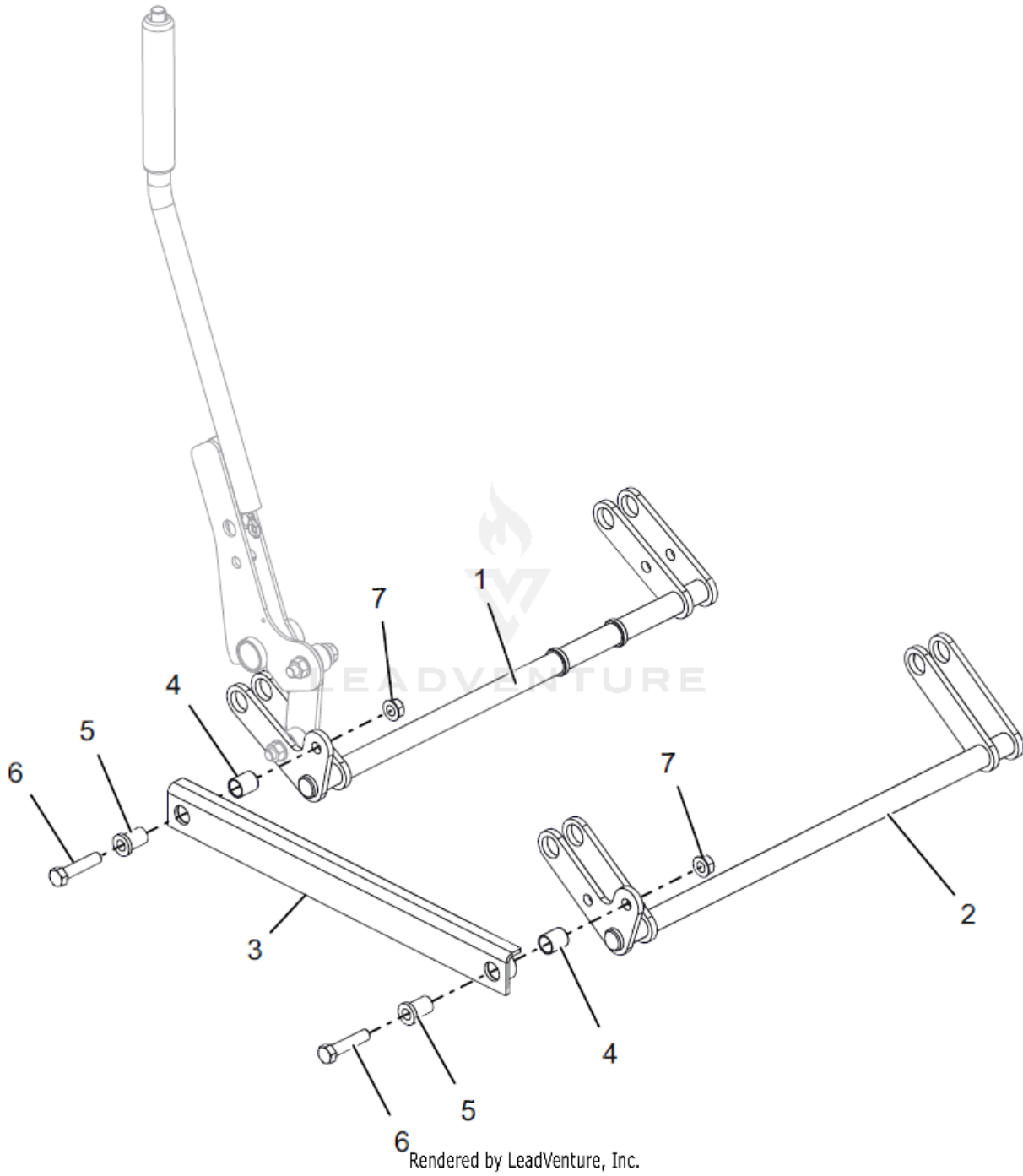


Rendered by LeadVenture, Inc.

AGU994149 Decals - Style - 36"

| Ref Number | Part Number | Part Description | Context Notes | Quantity |
|-------------------|--------------------|------------------------------|----------------------|-----------------|
| 1 | AGP07757500 | DECAL, PARKING BRAKE LEVER | | 1 |
| 2 | AGP07800534 | DECAL, GRAVELY BRAND | | 1 |
| 3 | AGP07800618 | DECAL, 9.5" GRAVELY LOGO | | 2 |
| 4 | AGP07801102 | DECAL, PROSTANCE - 32-36 HOC | | 1 |
| 5 | AGP07801005 | DECAL, DASH - PROSTANCE | | 1 |
| 6 | AGP07801011 | DECAL, PROSTANCE 36 | | 1 |
| 7 | AGP08001038 | DECAL, MADE IN USA | | 1 |

AGU994149 Deck Lift



Rendered by LeadVenture, Inc.

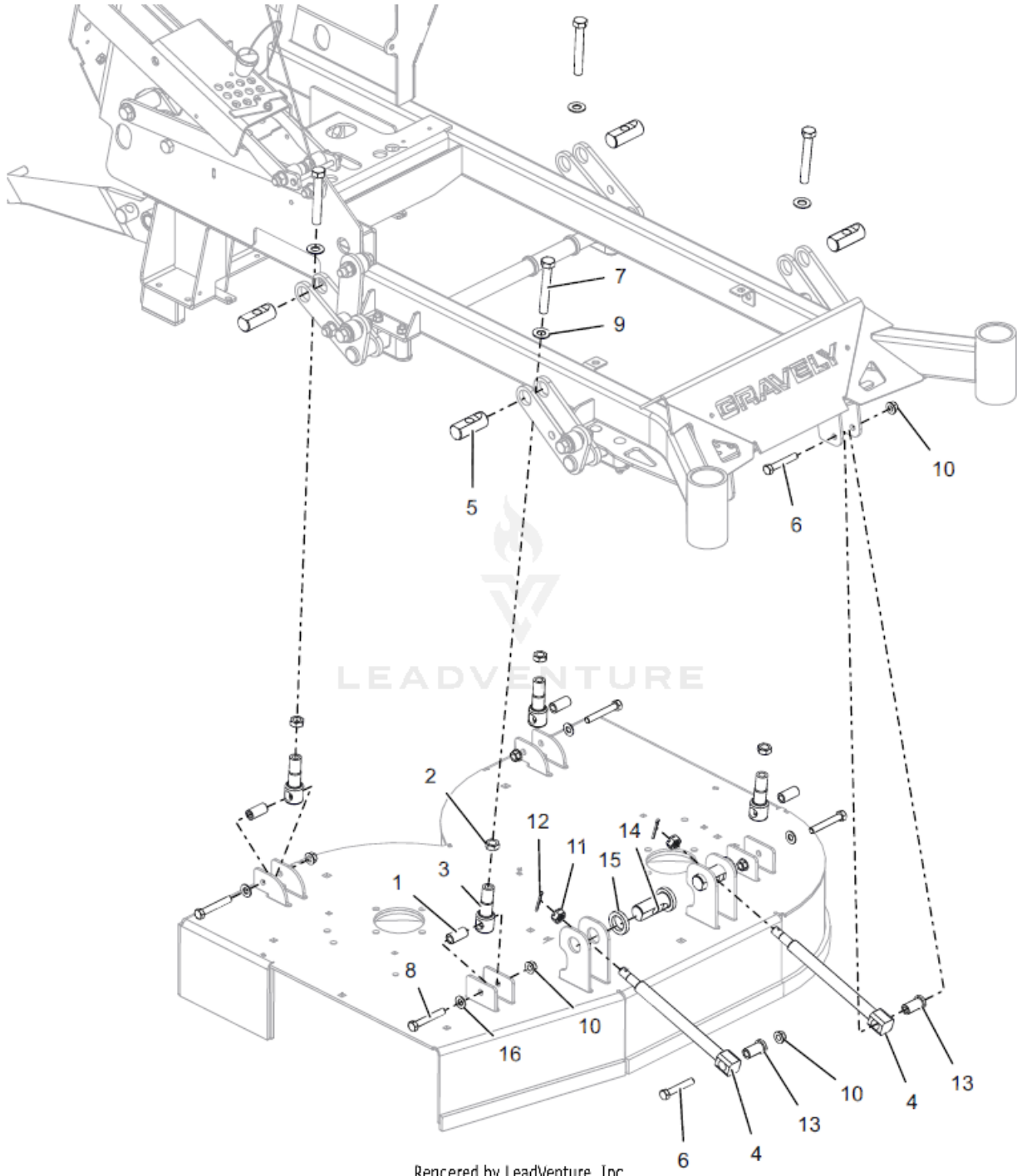
AGU994149 Deck Lift

| Ref Number | Part Number | Part Description | Context Notes | Quantity |
|-------------------|--------------------|--|----------------------|-----------------|
| 1 | AGP05255651 | WLDMT, 36" PROSTANCE DECK LIFT (BLACK) | | 1 |
| 2 | AGP05245451 | WLDMT, 36" PROSTANCE DECK LIFT | | 1 |
| 3 | AGP05246851 | LINK, 36" DECK LIFT | | 1 |
| 4 | AGP05400729 | BRG, .750 X .875 X 1.000 | | 2 |
| 5 | AGP05527200 | BSHG-FLG .515X.746X1.290X1.000 | | 2 |
| 6 | AGP05901835 | BLT, HEX .50-13X2.25 G5 ZCC | | 2 |
| 7 | AGP06500902 | NUT-LK-CTR-FLG .500-13 GG ZCC | | 2 |

AGU994149 Deck Lift Foot Assist

| Ref Number | Part Number | Part Description | Context Notes | Quantity |
|-------------------|--------------------|-----------------------------------|----------------------|-----------------|
| 1 | AGP05199651 | WLDMT, PIVOT BRKT | | 1 |
| 2 | AGP05247351 | LINK,36" DECK LIFT FOOT ASSIST | | 1 |
| 3 | AGP05199300 | LINK, HOC FOOT | | 1 |
| 4 | AGP05199400 | TRUNNION,DECK LIFT FOOT ASSIST | | 1 |
| 5 | AGP05435900 | BRG, .750 X .875 X 1.000 | | 1 |
| 6 | AGP05501135 | BSHG, FLG .515X.750X.360X1.12 | | 1 |
| 7 | AGP05527200 | BSHG-FLG .515X.746X1.290X1.000 | | 1 |
| 8 | AGP05714600 | RG-RTNG-EXT .689X.078 | | 1 |
| 9 | AGP05807200 | PIN-GRV .188X1.00 TP E | | 1 |
| 10 | AGP05901634 | BLT,HEX .50-13X3.25 G5 ZCC | | 1 |
| 11 | AGP05901724 | BLT, HEX .38-16X1.25 G5 ZCC | | 1 |
| 12 | AGP05901835 | BLT, HEX .50-13X2.25 G5 ZCC | | 1 |
| 13 | AGP06401015 | WSHR,FLT .531X1.062X.095 ZCC | | 1 |
| 14 | AGP06401115 | WSHR, FLT .531X1.00X.063 ZCC | | 1 |
| 15 | AGP06401119 | WSHR, FLT .754X1.125X.062 ZCC | | 1 |
| 16 | AGP06401209 | WSHR, RUBBER .332X1.000X.094 | | 1 |
| 17 | AGP06500902 | NUT-LK-CTR-FLG .500-13 GG ZCC | | 2 |
| 18 | AGP06500901 | NUT-LK-CTR-FLG .375-16 GF ZCC | | 1 |
| 19 | AGP05500435 | BSHG-FLG .385X.500X.875X.406 | | 1 |

AGU994149 Deck Lift Linkage

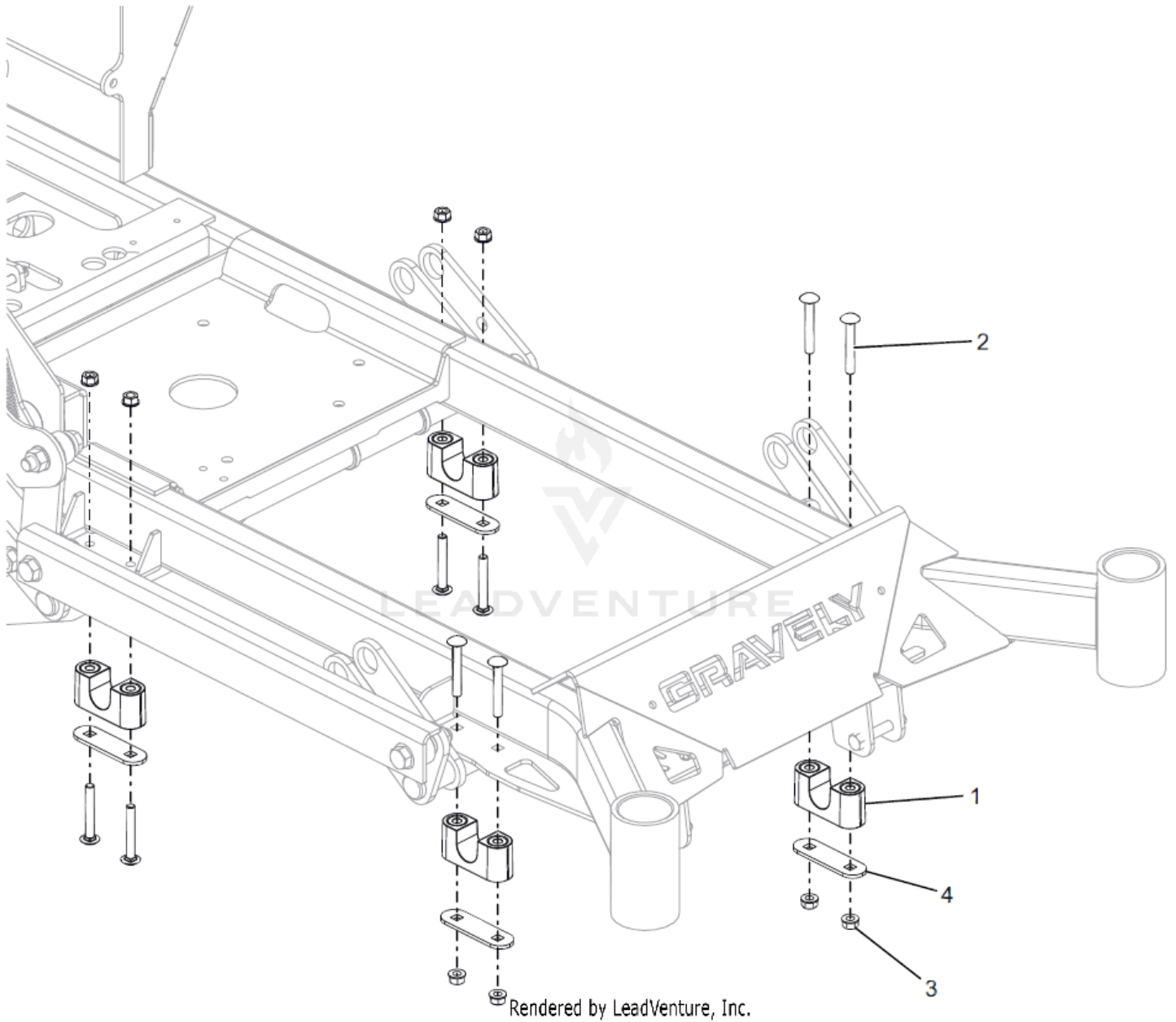


Rendered by LeadVenture, Inc.

AGU994149 Deck Lift Linkage

| Ref Number | Part Number | Part Description | Context Notes | Quantity |
|-------------------|--------------------|---------------------------------|----------------------|-----------------|
| 1 | AGP04895200 | SPACER, DECK LEVELING | | 4 |
| 2 | AGP06500911 | NUT-JAM .500-13 G2 ZCC | | 4 |
| 3 | AGP05081400 | LINK, DECK LIFT FORMED | | 4 |
| 4 | AGP05126700 | DRAG, LINK-HD | | 2 |
| 5 | AGP05149500 | PIN, DECK LIFT | | 4 |
| 6 | AGP05901640 | BLT, HEX .38-16X2.25 G5 ZCC | | 2 |
| 7 | AGP05901735 | BLT, HEX 0.5-13X3.5F GR5 ZCC | | 4 |
| 8 | AGP05901811 | BLT, HEX .38-16X2.50 G8 ZCC | | 4 |
| 9 | AGP06401116 | WSHR, FLT .557X1.040X.102 ZCC | | 4 |
| 10 | AGP06500901 | NUT-LK-CTR-FLG .375-16 GF ZCC | | 6 |
| 11 | AGP06505000 | NUT-SL .50-13 | | 2 |
| 12 | AGP06700212 | PIN, CTR.12X1.25EXTPRSQCT ZC120 | | 2 |
| 13 | AGP09158400 | SPCR, DRAG LINK | | 2 |
| 14 | AGP05264200 | PIN, DECK LIFT | | 2 |
| 15 | AGP06425600 | WSHR-FL-STL 1.0X1.50X.25 | | 2 |
| 16 | AGP06401013 | WSHR, FLT .406X.812X.065 ZCC | | 4 |

AGU994149 Deck Lift Mounts

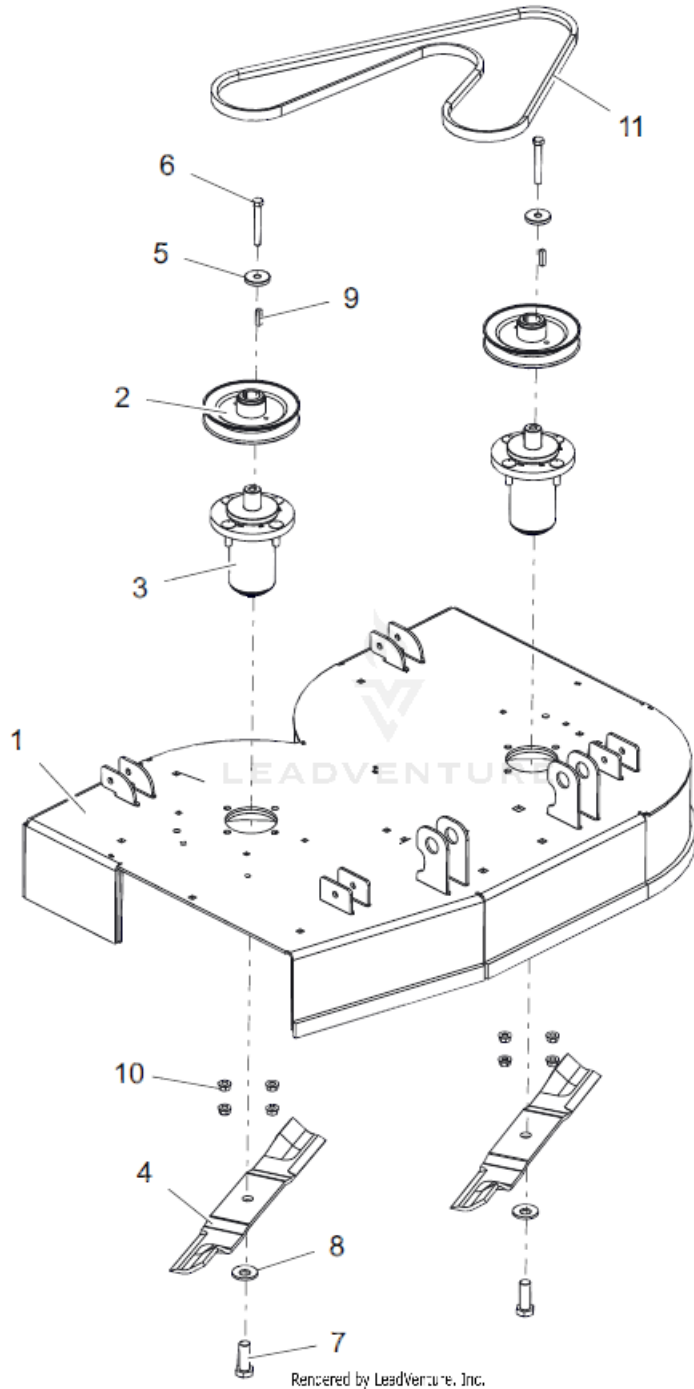


Rendered by LeadVenture, Inc.

AGU994149 Deck Lift Mounts

| Ref Number | Part Number | Part Description | Context Notes | Quantity |
|-------------------|--------------------|---------------------------------|----------------------|-----------------|
| 1 | AGP07500414 | ASM-BUSHING, DECK LIFT | | 4 |
| 2 | AGP06200311 | BLT, RHSSN.31-18X2.25 G5 ZCC | | 8 |
| 3 | AGP06500840 | NUT,LK-CTR-FLG .31-18 GF ZCC | | 8 |
| 4 | AGP04766551 | PLATE, BEARING SUPPORT | | 4 |

AGU994149 Deck, Belts, Blades & Spindles - 36"

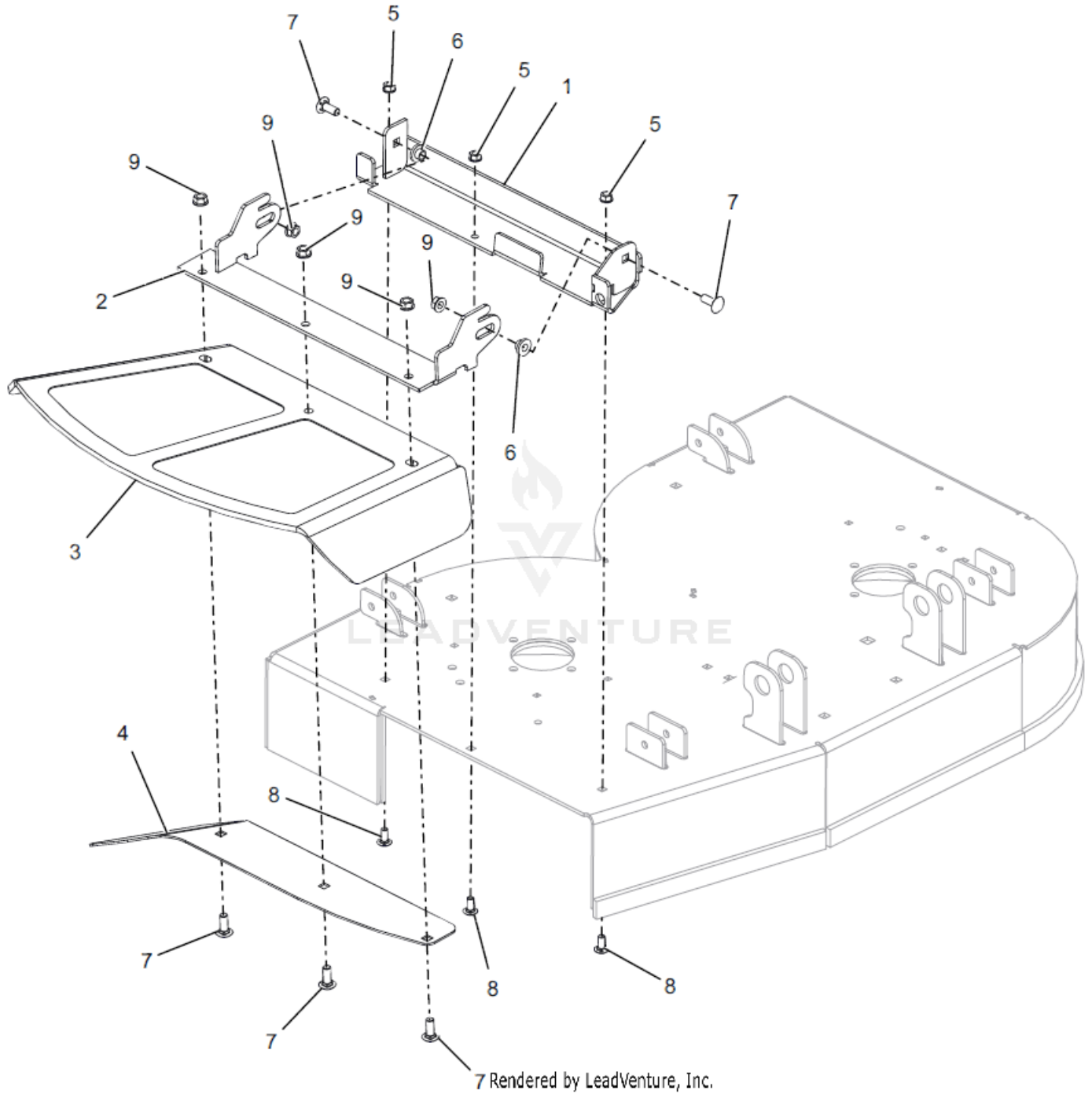


Rendered by LeadVenture, Inc.

AGU994149 Deck, Belts, Blades & Spindles - 36"

| Ref Number | Part Number | Part Description | Context Notes | Quantity |
|-------------------|--------------------|----------------------------------|----------------------|-----------------|
| 1 | AGP05269653 | WLDMT, 36" PRO STANCE DECK (RED) | | 1 |
| 2 | AGP07329300 | PULLEY, V - 1.000 ID X 5.750 OD | | 2 |
| 3 | AGP58810800 | ASM, MAINT FREE ALUM SPINDLE | | 2 |
| 4 | AGP00450300 | BLADE, 18.00" MOWER (HI-LIFT) | | 2 |
| 5 | AGP04530500 | RETAINER, SHEAVE | | 2 |
| 6 | AGP05901813 | BLT, HEX .38-16X2.75 G8 ZCC | | 2 |
| 7 | AGP05901822 | BLT, HEX .62-18X1.75 G8 ZCC | | 2 |
| 8 | AGP06445700 | WSHR-BLVL .669X1.535X.138 | | 2 |
| 9 | AGP06611200 | KEY, SQ .25X.25X1.00 RC 40-50 | | 2 |
| 10 | AGP06500901 | NUT-LK-CTR-FLG .375-16 GF ZCC | | 8 |
| 11 | AGP07200832 | V-BELT, 5L RAW EDGE EPDM | | 1 |

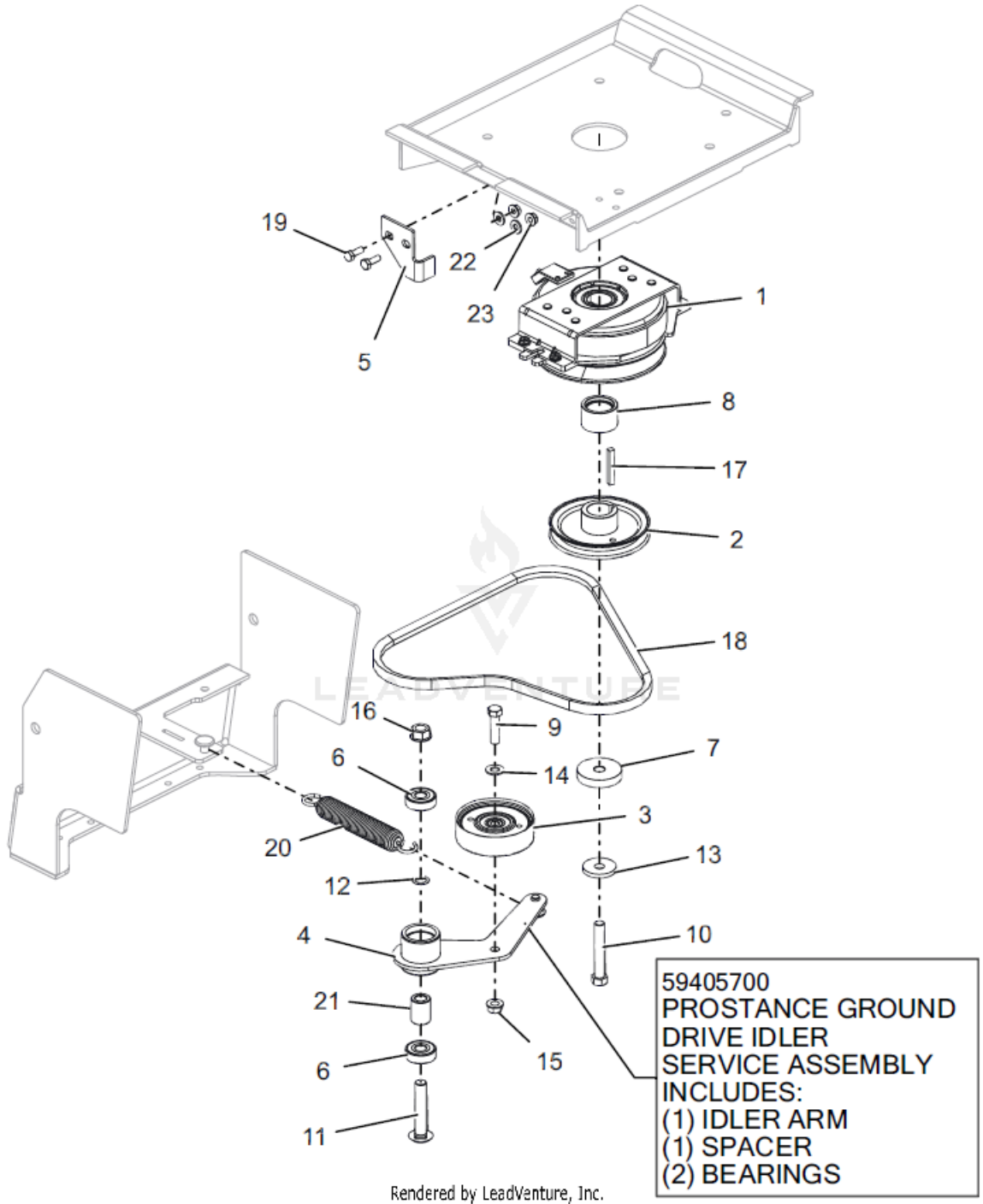
AGU994149 Discharge Chute



AGU994149 Discharge Chute

| Ref Number | Part Number | Part Description | Context Notes | Quantity |
|-------------------|--------------------|---|----------------------|-----------------|
| 1 | AGP05279753 | WLDMT, DISCHARGE CHUTE (RED) | | 1 |
| 2 | AGP05288753 | WLDMT, 36" CHUTE MTG BRKT (RED) | | 1 |
| 3 | AGP04881200 | CHUTE,48-60" FRMD RUBBER DISCH | | 1 |
| 4 | AGP09162451 | PLATE, 32-36" DISCH CHUTE CLAMP (BLACK) | | 1 |
| 5 | AGP06500840 | NUT,LK-CTR-FLG .31-18 GF ZCC | | 3 |
| 6 | AGP05500435 | BSHG-FLG .385X.500X.875X.406 | | 2 |
| 7 | AGP06200235 | BLT,RHSSN .38-16X1.00 G5 ZCC | | 5 |
| 8 | AGP06200309 | BLT, RHSSN.31-18X.750 G5 ZCC | | 3 |
| 9 | AGP06500901 | NUT-LK-CTR-FLG .375-16 GF ZCC | | 5 |

AGU994149 Drive Belt & Clutch

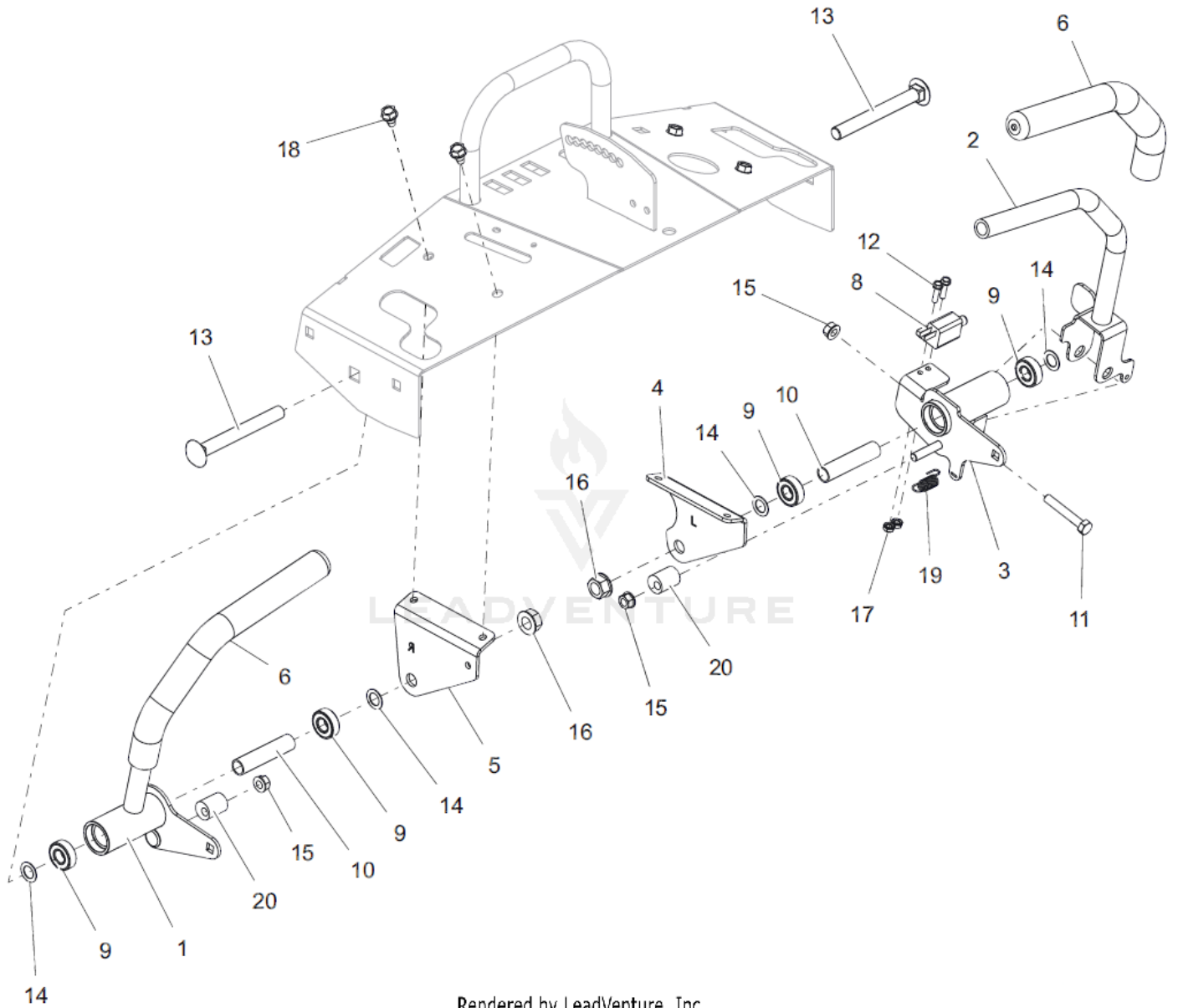


Rendered by LeadVenture, Inc.

AGU994149 Drive Belt & Clutch

| Ref Number | Part Number | Part Description | Context Notes | Quantity |
|------------|-------------|---|---------------|----------|
| 1 | AGP05143700 | CLUTCH, OGURA GT2.75-BBO1 | | 1 |
| 2 | AGP07349151 | SHEAVE, ENGINE 4.50 OD x 1.127 ID (BLACK) | | 1 |
| 3 | AGP07341100 | IDLER, FLAT 3.5" NO FLANGES | | 1 |
| 4 | AGP05252100 | WLDMT, IDLER ARM | | 1 |
| 5 | AGP09162351 | BRKT, CLUTCH STOP (BLACK) | | 1 |
| 6 | AGP05408000 | BRG-BALL .500X1.38X.437 | | 2 |
| 7 | AGP05501222 | SPACER, .450X2.00X.396 | | 1 |
| 8 | AGP05501405 | SPCR, CLUTCH | | 1 |
| 9 | AGP05901928 | BLT, HEX .38-16X1.50 G5 ZCC | | 1 |
| 10 | AGP05902013 | BLT, HEX 0.4375-20X2.75 G8 ZCC NT | | 1 |
| 11 | AGP06200433 | BLT, RHSSN .500-13 X 2.75 G5 ZCC | | 1 |
| 12 | AGP06400015 | WASHER, .500X.750X.020 THRUST | | 1 |
| 13 | AGP06400936 | WASHER, 7/16" SPRING DISK | | 1 |
| 14 | AGP06401013 | WSHR,FLT .406X.812X.065 ZCC | | 1 |
| 15 | AGP06500901 | NUT-LK-CTR-FLG .375-16 GF ZCC | | 1 |
| 16 | AGP06500902 | NUT-LK-CTR-FLG .500-13 GG ZCC | | 1 |
| 17 | AGP06601800 | KEY-STR .25X1.75X.25 | | 1 |
| 18 | AGP07200835 | V-BELT, A -RAW EDGED LAMINATED | | 1 |
| 19 | AGP05901716 | BLT, HEX .25-20X.75 G5 ZCC | | 2 |
| 20 | AGP08300513 | SPRING, EXTENSION 1.0 X 6.65 | | 1 |
| 21 | AGP09357700 | SPACER .510 X .75 X 1.1485 | | 1 |
| 22 | AGP06401001 | WSHR,FLT .281X.625X.065 ZCC | | 2 |
| 23 | AGP06500903 | NUT-LK-TOP-FLG .250-20 GF ZCC | | 2 |

AGU994149 Drive Controls

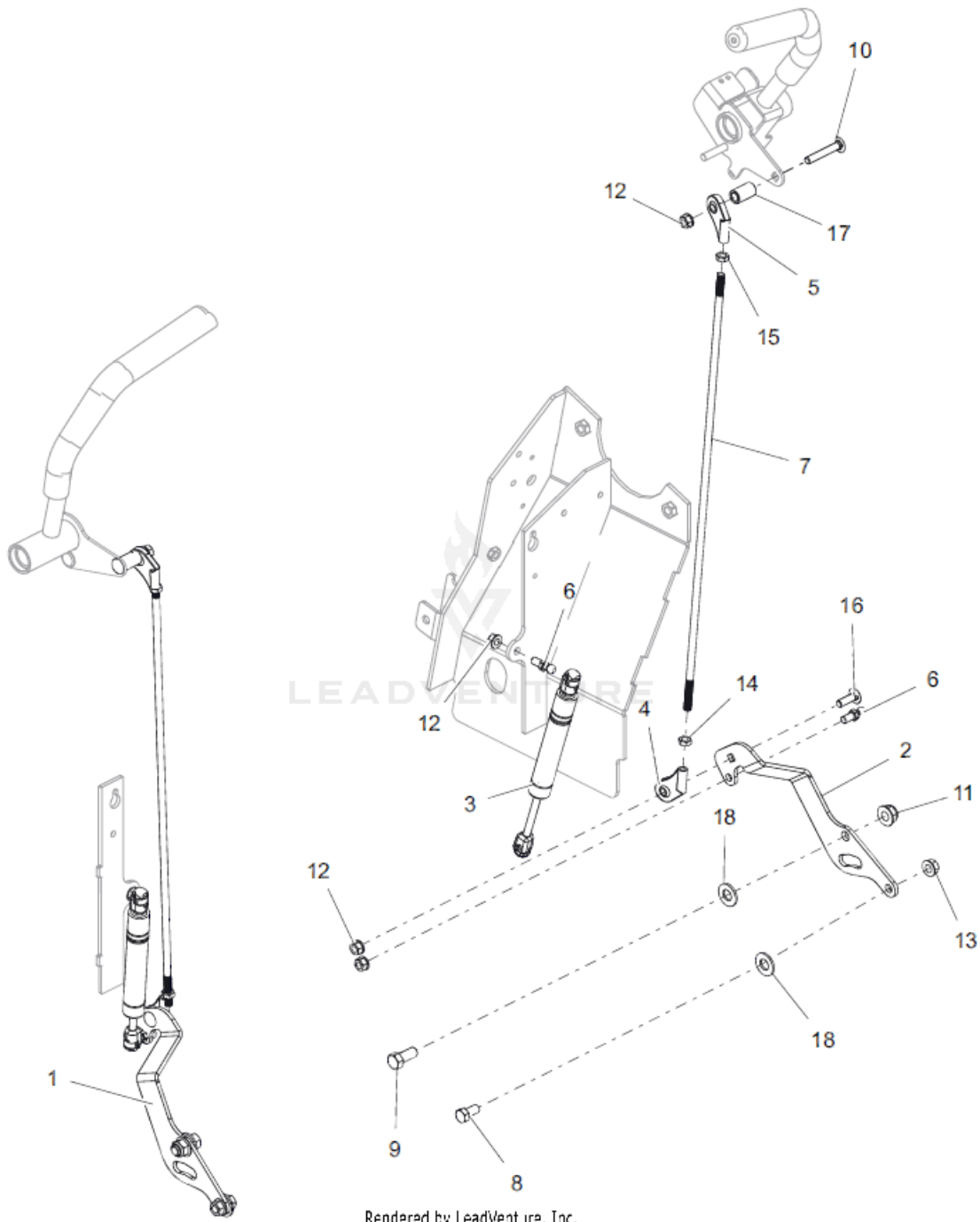


Rendered by LeadVenture, Inc.

AGU994149 Drive Controls

| Ref Number | Part Number | Part Description | Context Notes | Quantity |
|-------------------|--------------------|---------------------------------|----------------------|-----------------|
| 1 | AGP05190751 | WLDMT, RH DRIVE CONTROL (BLACK) | | 1 |
| 2 | AGP05190851 | WLDMT, LH HANDLE ASM (BLACK) | | 1 |
| 3 | AGP05190951 | WLDMT, LH DRIVE CONTROL (BLACK) | | 1 |
| 4 | AGP05194251 | BRKT, LH DRIVE CONTROL MTG | | 1 |
| 5 | AGP05194351 | BRKT, RH DRIVE CONTROL MTG | | 1 |
| 6 | AGP00675200 | GRIP, HANDLEBAR | | 2 |
| 8 | AGP03657100 | SWITCH- SINGLE POLE N.O. | | 1 |
| 9 | AGP05400007 | BEARING, .500X1.125X.375 | | 4 |
| 10 | AGP05501332 | SPCR, .510 X .625 X 2.75 | | 2 |
| 11 | AGP05901805 | BLT, HEX .31-18X2.00 G5 ZCC | | 1 |
| 12 | AGP05901837 | BLT, HWH #10-24X.75 ZCC | | 2 |
| 13 | AGP06200240 | BLT,RHSN .50-13X4.50 G5 ZCC | | 2 |
| 14 | AGP06401133 | WSHR-FL-STL 0.52X0.81X0.033 ZCC | | 4 |
| 15 | AGP06500840 | NUT,LK-CTR-FLG .31-18 GF ZCC | | 3 |
| 16 | AGP06500902 | NUT-LK-CTR-FLG .500-13 GG ZCC | | 2 |
| 17 | AGP06500934 | NUT-KEPS 10-24 | | 2 |
| 18 | AGP07400124 | SCR,TAP .312-18X.50 HWH TR ZCC | | 4 |
| 19 | AGP08300036 | SPRING, EXT. .043X.438X1.64 | | 1 |
| 20 | AGP09235700 | ECCENTRIC | | 2 |

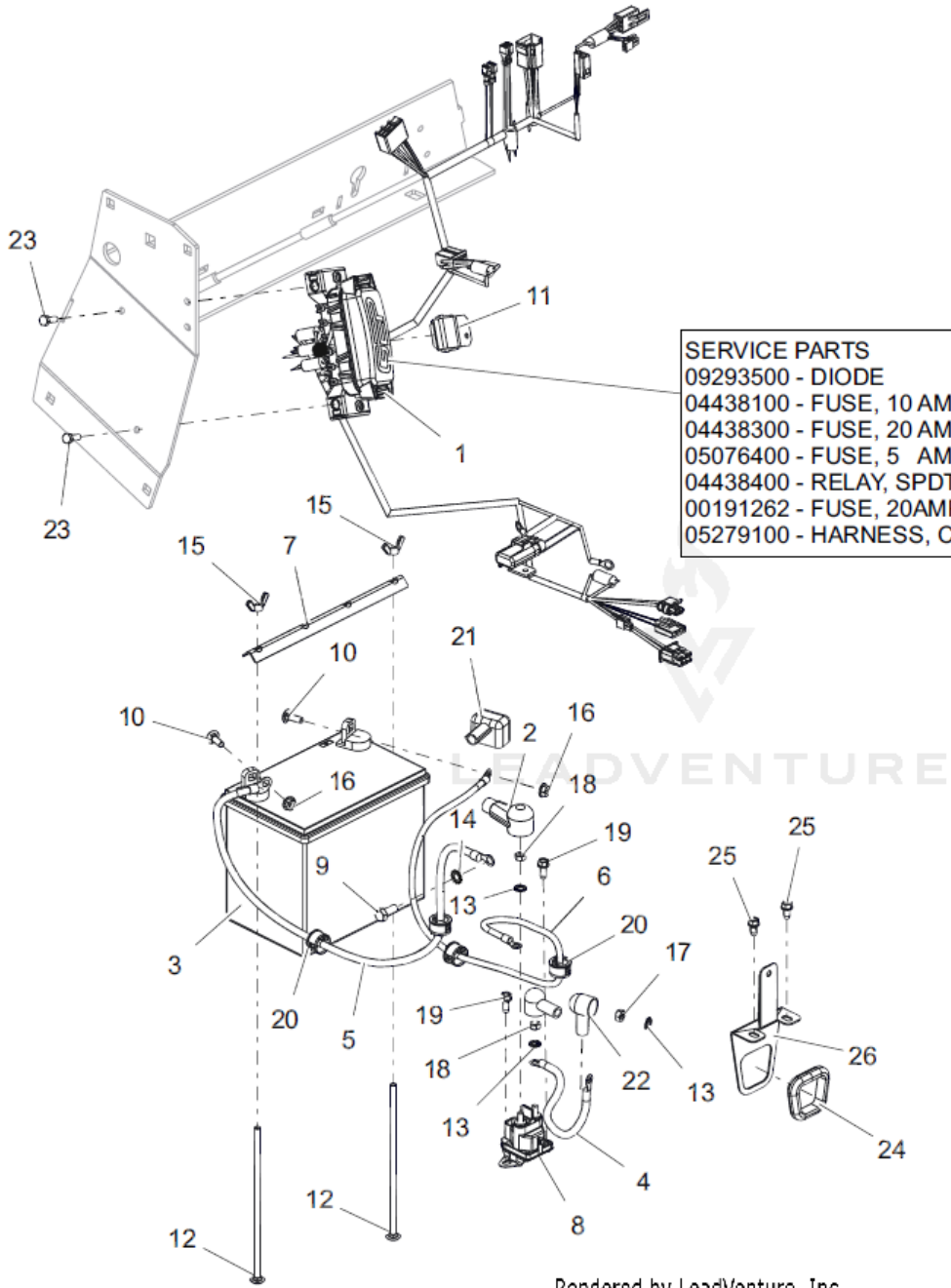
AGU994149 Drive Controls Continued



AGU994149 Drive Controls Continued

| Ref Number | Part Number | Part Description | Context Notes | Quantity |
|-------------------|--------------------|--------------------------------------|----------------------|-----------------|
| 1 | AGP05259451 | ARM, RH 32-36" DRIVE CONTROL (BLACK) | | 1 |
| 2 | AGP05259551 | ARM, LH 32-36" DRIVE CONTROL (BLACK) | | 1 |
| 3 | AGP03914100 | DAMPER, CONTROL | | 2 |
| 4 | AGP09158500 | END, ROD 5/16-24 RH | | 2 |
| 5 | AGP09158600 | END, ROD 5/16-24 LH | | 2 |
| 6 | AGP03652200 | STUD- BALL | | 4 |
| 7 | AGP05194700 | ROD, STEERING | | 2 |
| 8 | AGP05901702 | BLT,HEX .38-16X.75 G5 ZCC | | 2 |
| 9 | AGP05901913 | BLT, HEX 0.4375-14X1 GR5 ZCC | | 2 |
| 10 | AGP06200431 | BLT, RHSSN .31-18X2.00 G5 ZCC | | 2 |
| 11 | AGP06500811 | NUT,NYL-FLG .44-14 GF ZCC | | 2 |
| 12 | AGP06500840 | NUT,LK-CTR-FLG .31-18 GF ZCC | | 8 |
| 13 | AGP06500901 | NUT-LK-CTR-FLG .375-16 GF ZCC | | 2 |
| 14 | AGP06500923 | NUT-JAM .312-24 ZCC | | 2 |
| 15 | AGP06501002 | NUT, JAM-LH .312-24 ZCC | | 2 |
| 16 | AGP06200237 | BLT,RHSSN .31-18X1.00 G5 ZCC | | 2 |
| 17 | AGP05501325 | SPACER, .375 X .625 X 1.063 PM | | 2 |
| 18 | AGP06401015 | WSHR,FLT .531X1.062X.095 ZCC | | 4 |

AGU994149 Electrical



Rendered by LeadVenture, Inc.

AGU994149 Electrical

| Ref Number | Part Number | Part Description | Context Notes | Quantity |
|------------|-------------|-----------------------------------|---------------|----------|
| 1 | AGP05189700 | HARNESS, PROSTANCE | | 1 |
| 2 | AGP00525800 | BOOT, BATTERY TERMINAL-RED | | 1 |
| 3 | AGP01554800 | BATTERY, 300 CCA 10U1L | | 1 |
| 4 | AGP03286000 | CABLE-POSITIVE BATTERY 9.00" | | 1 |
| 5 | AGP03288100 | CABLE-NEGATIVE BATTERY 24.00" | | 1 |
| 6 | AGP03288400 | CABLE-POSITIVE BATTERY 26.00" | | 1 |
| 7 | AGP03494051 | HOLD DOWN | | 1 |
| 8 | AGP04781700 | SOLENOID, STARTER (SEALED) | | 1 |
| 9 | AGP05901628 | BLT, HEX M8-1.25X20 G8.8 ZCC | | 1 |
| 10 | AGP06200307 | BLT, RHSN .25-20X.750 G5 ZCC | | 2 |
| 11 | AGP09044200 | MODULE,INTERLOCK,DELAY, 1801 | | 1 |
| 12 | AGP06200424 | BTL,RHSN .250-20 X 7.5 G5 ZCC | | 2 |
| 13 | AGP06300118 | WSHR,LK-EXT.262X.502X.026 ZCC | | 3 |
| 14 | AGP06300125 | WSHR-LK-EXT 0.326X0.599X0.031 ZCC | | 1 |
| 15 | AGP06500805 | NUT, LK-WING .25-20 ZCC | | 2 |
| 16 | AGP06500824 | NUT-SPNLK-FLG .25-20 ZC120 | | 2 |
| 17 | AGP06500916 | NUT-STD .250-20 G2 ZCC | | 1 |
| 18 | AGP06500925 | NUT-STD M6-1.0 ZCC | | 2 |
| 19 | AGP07400135 | SCR,TAP .25-20X.625 HWH ZCC | | 2 |
| 20 | AGP07500126 | BUSH, PANEL SNAP .687X.875X.56 | | 4 |
| 21 | AGP07505700 | INSULATOR | | 1 |
| 22 | AGP07533200 | BOOT, EYELET TERMINAL | | 2 |

| Ref Number | Part Number | Part Description | Context Notes | Quantity |
|-------------------|--------------------|----------------------------------|---------------------------|-----------------|
| 23 | AGP05901610 | BLT, HEX M6-1.0 X 20 G8.8 ZCC | | 2 |
| 24 | AGP07500017 | GROMMET, 1.70 ID X 2.0 OD | | 1 |
| 25 | AGP07400122 | SCR-TAP .25-20X.50 HWH ZCC | | 2 |
| 26 | AGP30152253 | GUARD, CLUTCH HARNESS ROUTING | | 1 |
| 27 | AGP09293500 | DIODE, CONNECTOR SHELL | Service Component Part | 1 |
| 28 | AGP04438100 | FUSE,10 AMP MINI-ATC | Service Component Part | 1 |
| 29 | AGP04438300 | FUSE,20 AMP MINI ATC | Service Component Part | 1 |
| 30 | AGP05076400 | FUSE, 5 AMP MINI-ATC | Service Component Part | 1 |
| 31 | AGP04438400 | RELAY,MICRO5 TERML W/RESISTOR | Service Component Part | 1 |
| 32 | AGP00191262 | FUSE, 20 AMP BLADE S/O | Service Component Part | 1 |
| 33 | AGP05279100 | HARNESS, CLUTCH BREAKAWAY | Service Component Part | 1 |

AGU994149 Electrical Diagram

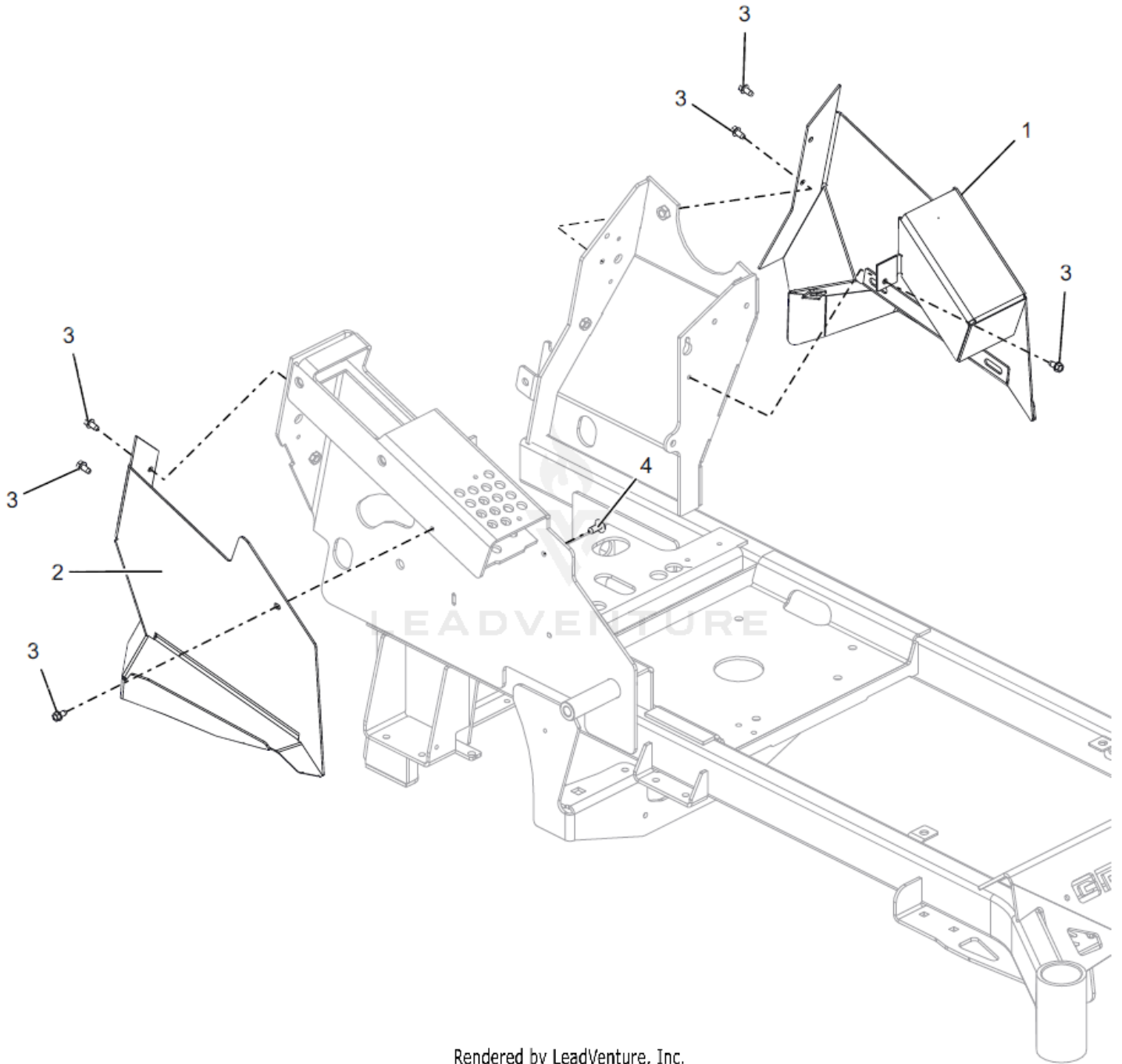
| Ref Number | Part Number | Part Description | Context Notes | Quantity |
|-------------------|--------------------|-------------------------|----------------------|-----------------|
|-------------------|--------------------|-------------------------|----------------------|-----------------|

AGU994149 Engine & Frame

| Ref Number | Part Number | Part Description | Context Notes | Quantity |
|-------------------|--------------------|------------------------------------|----------------------|-----------------|
| 1 | AGP08200921 | ENG. KAW FS600 | | 1 |
| 2 | AGP05246753 | WLDMT, PRO STANCE 36" FRAME | | 1 |
| 3 | AGP05192200 | MUFFLER, PROSTANCE | | 1 |
| 4 | AGP05258900 | MANIFOLD PRO STANCE 32-36" EXHAUST | | 1 |
| 5 | AGP05171751 | BACK, NAMEPLATE | | 1 |
| 6 | AGP05192851 | BRKT, MUFFLER MOUNT - FT730 | | 1 |
| 7 | AGP05901628 | BLT, HEX M8-1.25X20 G8.8 ZCC | | 3 |
| 8 | AGP05901808 | BLT, HEX .38-16X1.25 G5 ZCC NT | | 4 |
| 9 | AGP06200232 | BLT,RHSN .31-18X.75 G5 ZCC | | 2 |
| 10 | AGP06300119 | WSHR,LK-REG .312X.078 ZCC | | 2 |
| 11 | AGP06400927 | WASHER, 3/8" SPRING DISC | | 4 |
| 12 | AGP06500840 | NUT,LK-CTR-FLG .31-18 GF ZCC | | 2 |
| 13 | AGP06500919 | NUT-LK-TOP-FLG M8 ZCC | | 4 |
| 14 | AGP06900722 | CLAMP, MUFFLER - 1.438 | | 1 |
| 15 | AGP07400122 | SCR-TAP .25-20X.50 HWH ZCC | | 2 |
| 16 | AGP07001730 | HOSE, OIL DRAIN | | 1 |
| 17 | AGP07500432 | PLUG, RECT 1.575 x 2.362 | | 1 |
| 18 | AGP06916000 | J-CLAMP | | 3 |
| 19 | AGP07400122 | SCR-TAP .25-20X.50 HWH ZCC | | 1 |
| 20 | AGP00111910 | CABLE TIE, .15 X 8.50 | | 2 |
| 21 | AGP06401001 | WSHR,FLT .281X.625X.065 ZCC | | 1 |

| Ref Number | Part Number | Part Description | Context Notes | Quantity |
|-------------------|--------------------|-------------------------------|------------------------|-----------------|
| 22 | AGP07503100 | BUMPER GROMMET | | 4 |
| 23 | AGP05257100 | COVER, BELT (RED) | | 1 |
| 24 | AGP07000829 | NUT-CLIP RETAINER 5/16-18X.56 | | 2 |
| 25 | AGP07500008 | KNOB,WING STUD 5/16-18 X .75 | | 2 |
| 26 | AGP06401017 | WSHR,FLT .344X.688X.065 ZCC | | 1 |
| 27 | AGP21536100 | PLUG, SPARK | Service Component Part | 1 |
| 28 | AGP21548100 | OIL FILTER, KAWASAKI FR | Service Component Part | 1 |
| 29 | AGP21535800 | FILTER,OIL - KAW | Service Component Part | 1 |
| 30 | AGP21548101 | FUEL FILTER-KAWASAKI FR | Service Component Part | 1 |
| 31 | AGP21548000 | AIR FILTER, KAWASAKI FR | Service Component Part | 1 |
| 32 | AGP21565800 | PRE FILTER, KAWASAKI FS | Service Component Part | 1 |
| 33 | AGP00191627 | GASKET, MUFFLER S/O | Service Component Part | 1 |

AGU994149 Fenders

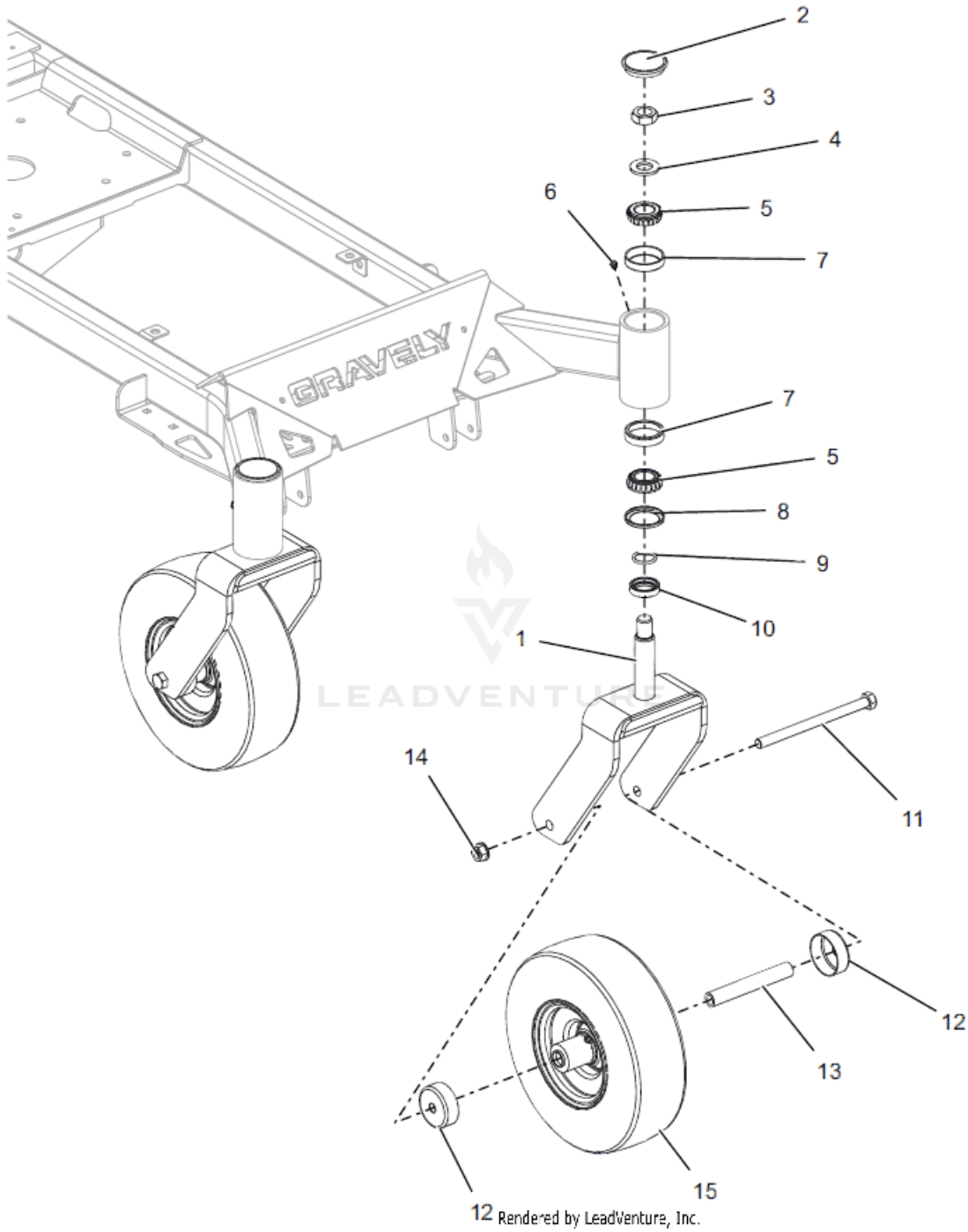


Rendered by LeadVenture, Inc.

AGU994149 Fenders

| Ref Number | Part Number | Part Description | Context Notes | Quantity |
|-------------------|--------------------|---------------------------------|----------------------|-----------------|
| 1 | AGP05265100 | WLDMT, LH FENDER (BLACK) | | 1 |
| 2 | AGP05265051 | WLDMT, RH 32-36" FENDER (BLACK) | | 1 |
| 3 | AGP07400122 | SCR-TAP .25-20X.50 HWH ZCC | | 6 |
| 4 | AGPP80-332-A | XMAS TREE FASTNER-BLACK | | 1 |

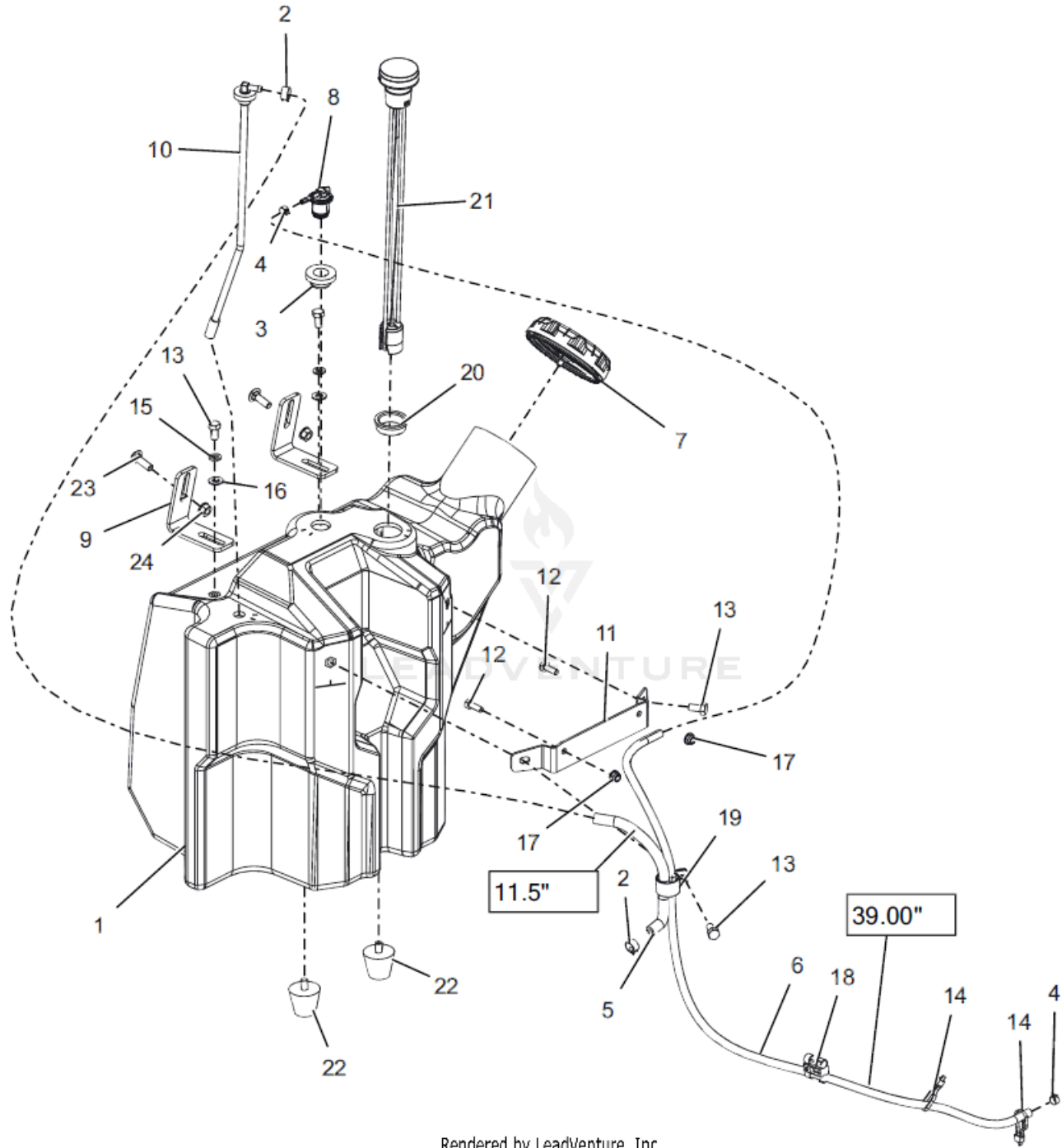
AGU994149 Front Casters



AGU994149 Front Casters

| Ref Number | Part Number | Part Description | Context Notes | Quantity |
|-------------------|--------------------|--------------------------------------|----------------------|-----------------|
| 1 | AGP05257000 | WLDMT, CASTER FORK | | 2 |
| 2 | AGP00456800 | CAP, DUST | | 2 |
| 3 | AGP06500933 | NUT, JAM-TOPLOCK .750-16 ZCC | | 2 |
| 4 | AGP06401140 | WSHR-FL-STL 0.812X1.469X0.134 ZCC | | 2 |
| 5 | AGP05406900 | BRG-CONE 1.0X.58 | | 4 |
| 6 | AGP07001727 | FTG, .25-28 FLUSH MNT GREASE | | 2 |
| 7 | AGP05407000 | BRG-CUP1.980X.420 | | 4 |
| 8 | AGP00531400 | BEARING SEAL 1.5 X 2 X .18 | | 2 |
| 9 | AGP05610000 | O-RING 1.000X1.250X | | 2 |
| 10 | AGP04720200 | SPCR, CASTER FORK (1.00) | | 2 |
| 11 | AGP05901917 | BLT, HEX 0.5-13X7 GR5 ZCC | | 2 |
| 12 | AGP09357800 | SHIELD, WHEEL BEARING | | 4 |
| 13 | AGP00278500 | SPACER, ROLLED WHEEL | | 2 |
| 14 | AGP06500902 | NUT-LK-CTR-FLG .500-13 GG ZCC | | 2 |
| 15 | AGP07101233 | ASM, WHL/TIRE 11X4.00-5 | | 2 |

AGU994149 Fuel System



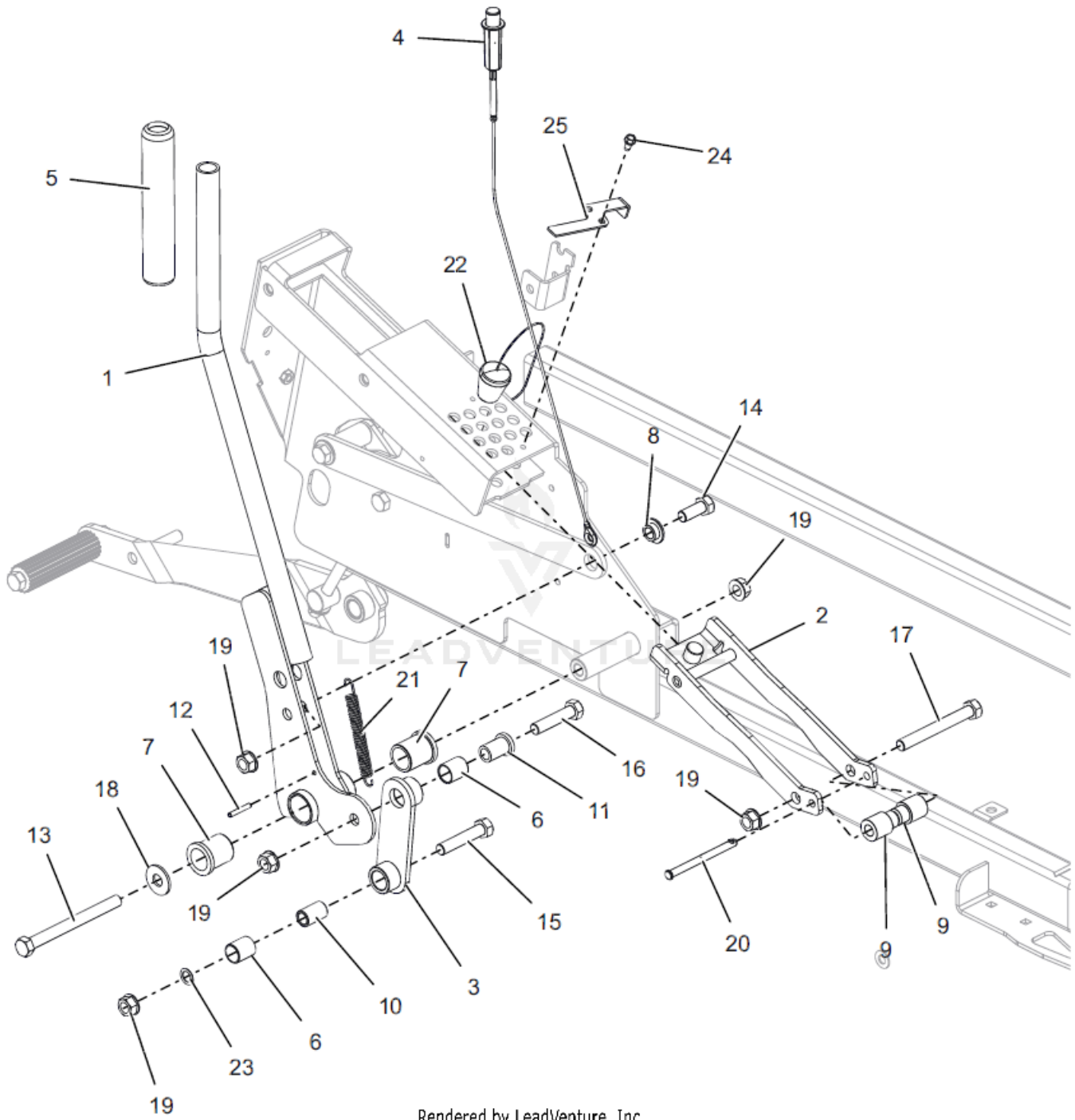
Rendered by LeadVenture, Inc.

AGU994149 Fuel System

| Ref Number | Part Number | Part Description | Context Notes | Quantity |
|-------------------|--------------------|---------------------------------------|----------------------|-----------------|
| 1 | AGP05269100 | ASM, 32-36" PROSTANCE FUEL TANK | | 1 |
| 2 | AGP03278800 | CLAMP, FUEL LINE | | 2 |
| 3 | AGP04082700 | GROMMET, REMOTE VENT NITRILE | | 1 |
| 4 | AGP04097700 | CLAMP-HOSE, SPRING .188 | | 2 |
| 5 | AGP03278100 | 1 INCH OF HOSE, .25 LOW-PERM BULK GAS | | 1 |
| 6 | AGP03375900 | HOSE, .188 LOW-PERM BULK GAS | | 1 |
| 7 | AGP04558000 | CAP, FUEL VENTIN AUTOLOCK | | 1 |
| 8 | AGP05185600 | VALVE, COMBINATION VENT 3/16 | | 1 |
| 9 | AGP05192553 | BRKT, TANK HOLDDOWN | | 2 |
| 10 | AGP05248300 | ASM, PROSTANCE FUEL LINE PICK-UP | | 1 |
| 11 | AGP05276951 | BRKT, OVERFLOW MTG (BLACK) | | 1 |
| 12 | AGP05901716 | BLT, HEX .25-20X.75 G5 ZCC | | 2 |
| 13 | AGP05901832 | BLT, HEX .31-18X.625 G5 ZCC | | 4 |
| 14 | AGP00111910 | CABLE TIE, .15 X 8.50 | | 2 |
| 15 | AGP06300119 | WSHR,LK-REG .312X.078 ZCC | | 2 |
| 16 | AGP06401017 | WSHR,FLT .344X.688X.065 ZCC | | 2 |
| 17 | AGP06500813 | NUT,NYL-FLG .25-20 GF ZCC | | 2 |
| 18 | AGP07001712 | CLIP, T, .38-.50 | | 1 |
| 19 | AGP06917900 | CLAMP, COUSHIONED STEEL REV | | 1 |
| 20 | AGP07500221 | GROMMET, FUEL GAUGE | | 1 |
| 21 | AGP07500311 | GAUGE, REMOTE FUEL SEALED 15" | | 1 |

| Ref Number | Part Number | Part Description | Context Notes | Quantity |
|-------------------|--------------------|-------------------------------------|----------------------|-----------------|
| 22 | AGP07500428 | BUMPER, STUD MOUNTED CONE SHAPED | | 2 |
| 23 | AGP06200231 | BLT,RHSN .31-18X1.00 G5 ZCC | | 2 |
| 24 | AGP06500840 | NUT,LK-CTR-FLG .31-18 GF ZCC | | 2 |

AGU994149 Height of Cut



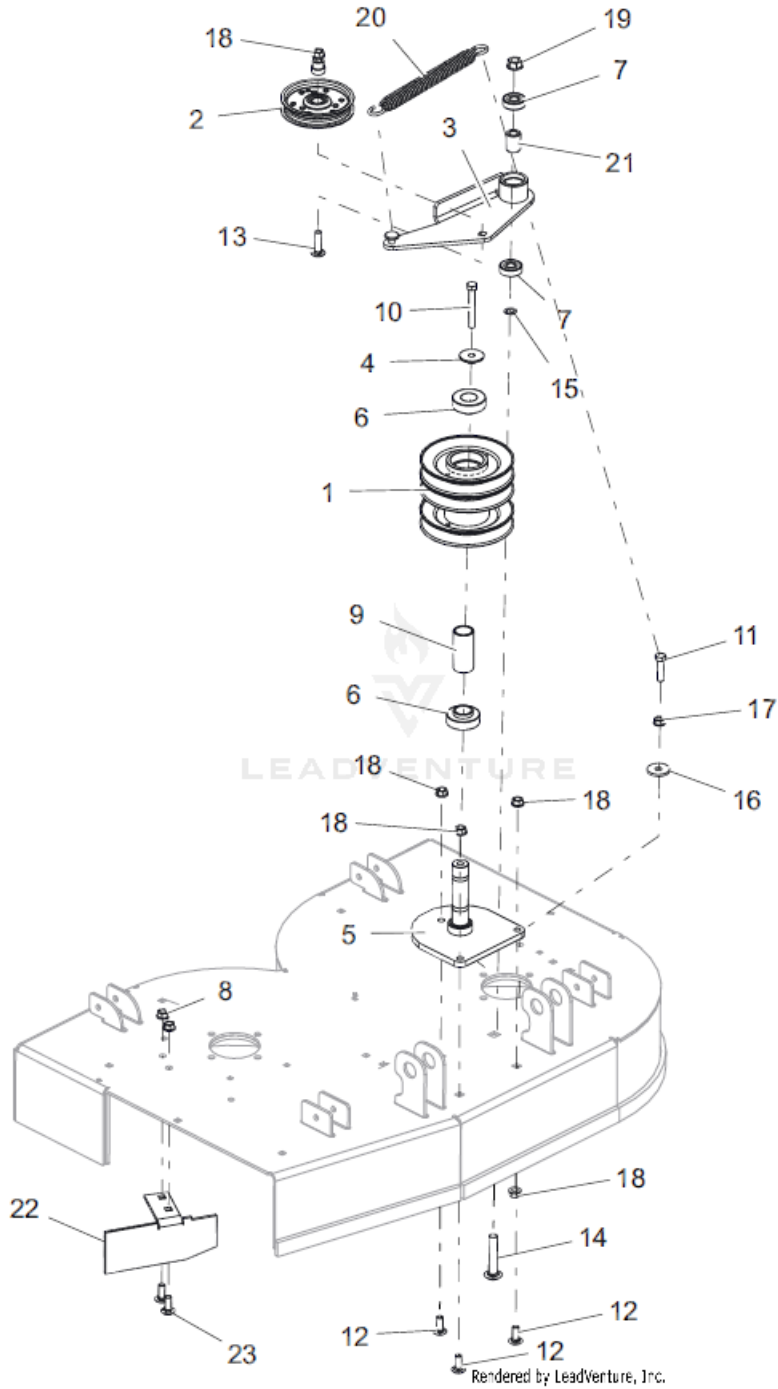
Rendered by LeadVenture, Inc.

AGU994149 Height of Cut

| Ref Number | Part Number | Part Description | Context Notes | Quantity |
|------------|-------------|-----------------------------------|---------------|----------|
| 1 | AGP05190551 | WLDMT, HOC LEVER | | 1 |
| 2 | AGP05193951 | WLDMT, HOC BRACKET | | 1 |
| 3 | AGP05198851 | LINK, HOC LEVER | | 1 |
| 4 | AGP06900718 | CABLE, HOC PUSH CONTROL | | 1 |
| 5 | AGP05242500 | GRIP, DECK LIFT | | 1 |
| 6 | AGP05400729 | BRG, .750 X .875 X 1.000 | | 2 |
| 7 | AGP05500934 | BSHG-FLG 1.00X1.25X1.50X1.50 | | 2 |
| 8 | AGP05501135 | BSHG, FLG .515X.750X.360X1.12 | | 1 |
| 9 | AGP05501333 | BSHG,FLG | | 2 |
| 10 | AGP05501338 | SPCR, SLV .532 X .750 X 1.150 | | 1 |
| 11 | AGP05527200 | BSHG-FLG .515X.746X1.290X1.000 | | 1 |
| 12 | AGP05800300 | PIN-ROLL .188X1.25 | | 1 |
| 13 | AGP05901632 | BLT,HEX .50-13X5.50 G5 ZCC | | 1 |
| 14 | AGP05901637 | BLT,HEX .50-13X1.25 G5 ZCC | | 1 |
| 15 | AGP05901712 | BLT, HEX .50-13X2.50 G5 ZCC | | 1 |
| 16 | AGP05901835 | BLT, HEX .50-13X2.25 G5 ZCC | | 1 |
| 17 | AGP05901906 | BLT, HEX 0.5-13X4.25 GR5 ZCC | | 1 |
| 18 | AGP06401012 | WSHR,FLT .563X1.375X.109 ZCC | | 1 |
| 19 | AGP06500902 | NUT-LK-CTR-FLG .500-13 GG ZCC | | 5 |
| 20 | AGP06800203 | PIN, MAGNETIC .50X2.50 | | 1 |
| 21 | AGP08300516 | SPRING,EXT,.061X.50X3.0 | | 1 |
| 22 | AGP06800203 | PIN, MAGNETIC .50X2.50 | | 1 |

| Ref Number | Part Number | Part Description | Context Notes | Quantity |
|-------------------|--------------------|-------------------------------|----------------------|-----------------|
| 23 | AGP06400015 | WASHER, .500X.750X.020 THRUST | | 1 |
| 24 | AGP07400122 | SCR-TAP .25-20X.50 HWH ZCC | | 1 |
| 25 | AGP09165251 | BLOCK, HOC SELECTION (BLACK) | | 1 |

AGU994149 Idlers & Sheaves



Rendered by LeadVenture, Inc.

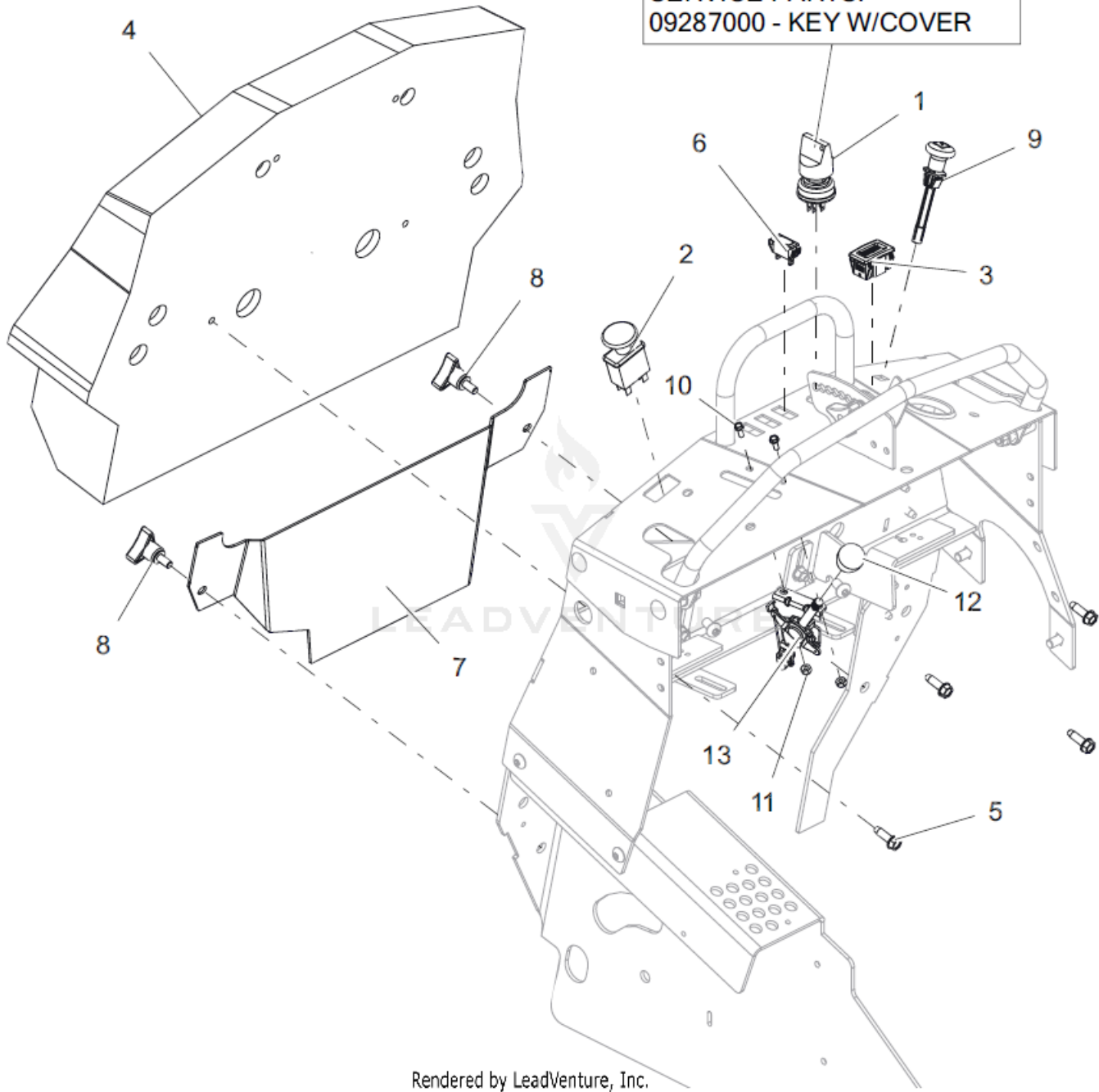
AGU994149 Idlers & Sheaves

| Ref Number | Part Number | Part Description | Context Notes | Quantity |
|-------------------|--------------------|-----------------------------------|----------------------|-----------------|
| 1 | AGP07349800 | WLDMT, JACKSHAFT HOUSING | | 1 |
| 2 | AGP07300101 | ASM, 4" IDLER (.75 WIDE) | | 1 |
| 3 | AGP30124200 | WLDMT, DECK IDLER ARM | | 1 |
| 4 | AGP04656000 | RETAINER, JACKSHAFT SPINDLE | | 1 |
| 5 | AGP05276551 | WLDMT, JACKSHAFT BASE (BLACK) | | 1 |
| 6 | AGP05400730 | BEARING, RG 1.000 X 2.0467 X .591 | | 2 |
| 7 | AGP05408000 | BRG-BALL .500X1.38X.437 | | 2 |
| 8 | AGP06500901 | NUT-LK-CTR-FLG .375-16 GF ZCC | | 2 |
| 9 | AGP05501406 | SPCR, SLV 1.010 X 1.250 X 2.661 | | 1 |
| 10 | AGP05901813 | BLT, HEX .38-16X2.75 G8 ZCC | | 1 |
| 11 | AGP05902104 | BLT, HEX 0.375-16X1.5 GR8 ZCC | | 1 |
| 12 | AGP06200235 | BLT,RHSSN .38-16X1.00 G5 ZCC | | 3 |
| 13 | AGP06200328 | BLT, RHSSN .38-16X1.50 G5 ZCC | | 1 |
| 14 | AGP06200433 | BLT, RHSSN .500-13 X 2.75 G5 ZCC | | 1 |
| 15 | AGP06400015 | WASHER, .500X.750X.020 THRUST | | 1 |
| 16 | AGP06401121 | WSHR,FLT .406X1.375X.135 ZCC | | 1 |
| 17 | AGP06500735 | NUT, SPNLK-FLG .38-16 G5 ZCC | | 1 |
| 18 | AGP06500901 | NUT-LK-CTR-FLG .375-16 GF ZCC | | 5 |
| 19 | AGP06500902 | NUT-LK-CTR-FLG .500-13 GG ZCC | | 1 |

| Ref Number | Part Number | Part Description | Context Notes | Quantity |
|-------------------|--------------------|----------------------------------|----------------------|-----------------|
| 20 | AGP08300728 | SPRING- EXTENSION | | 1 |
| 21 | AGP09357700 | SPACER .510 X .75 X 1.1485 | | 1 |
| 22 | AGP05270453 | BAFFLE, 36" SIDE DISCHARGE (RED) | | 1 |
| 23 | AGP06200235 | BLT,RHSSN .38-16X1.00 G5 ZCC | | 2 |

AGU994149 Operator Pad & Switches

SERVICE PARTS:
09287000 - KEY W/COVER

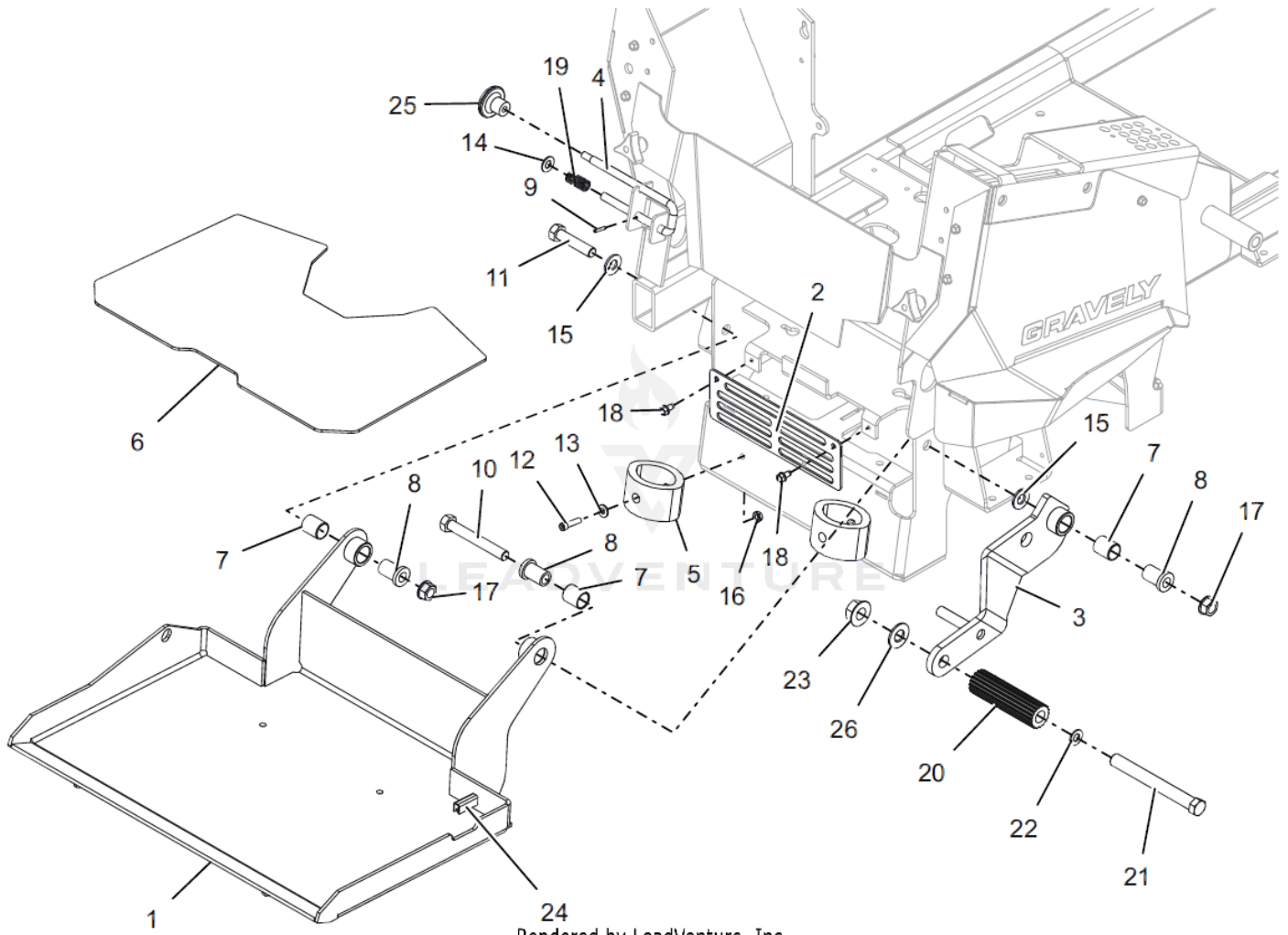


Rendered by LeadVenture, Inc.

AGU994149 Operator Pad & Switches

| Ref Number | Part Number | Part Description | Context Notes | Quantity |
|-------------------|--------------------|-----------------------------------|---------------------------|-----------------|
| 1 | AGP04331600 | SWITCH, IGNITION | | 1 |
| 2 | AGP01545600 | SWITCH, CLUTCH | | 1 |
| 3 | AGP09497400 | METER, HOUR - NO PRINT | | 1 |
| 4 | AGP05259100 | PAD, OPERATOR - PROSTANCE | | 1 |
| 5 | AGP07400202 | SCR-TAP .312-18X1.00 HWH ZCC | | 4 |
| 6 | AGP05128700 | LIGHT, INDICATOR (RED) | | 1 |
| 7 | AGP05265851 | COVER, REAR TOWER (BLACK) | | 1 |
| 8 | AGP07500008 | KNOB,WING STUD 5/16- 18 X .75 | | 2 |
| 9 | AGP06900408 | CABLE, CHOKE (SNAP IN) | | 1 |
| 10 | AGP05901825 | BLT, HWH #10-24X.50 ZCC | | 2 |
| 11 | AGP06500915 | NUT-LK-NYL #10-24 G2 ZCC | | 2 |
| 12 | AGP07500132 | KNOB-CONTROL-BLACK .38-16X.50 | | 1 |
| 13 | AGP06900717 | CABLE, PROSTANCE - CONTROL 43" | | 1 |
| 14 | AGP09287000 | KEY, W/ SHIELD | Service Component Part | 1 |

AGU994149 Operator Platform

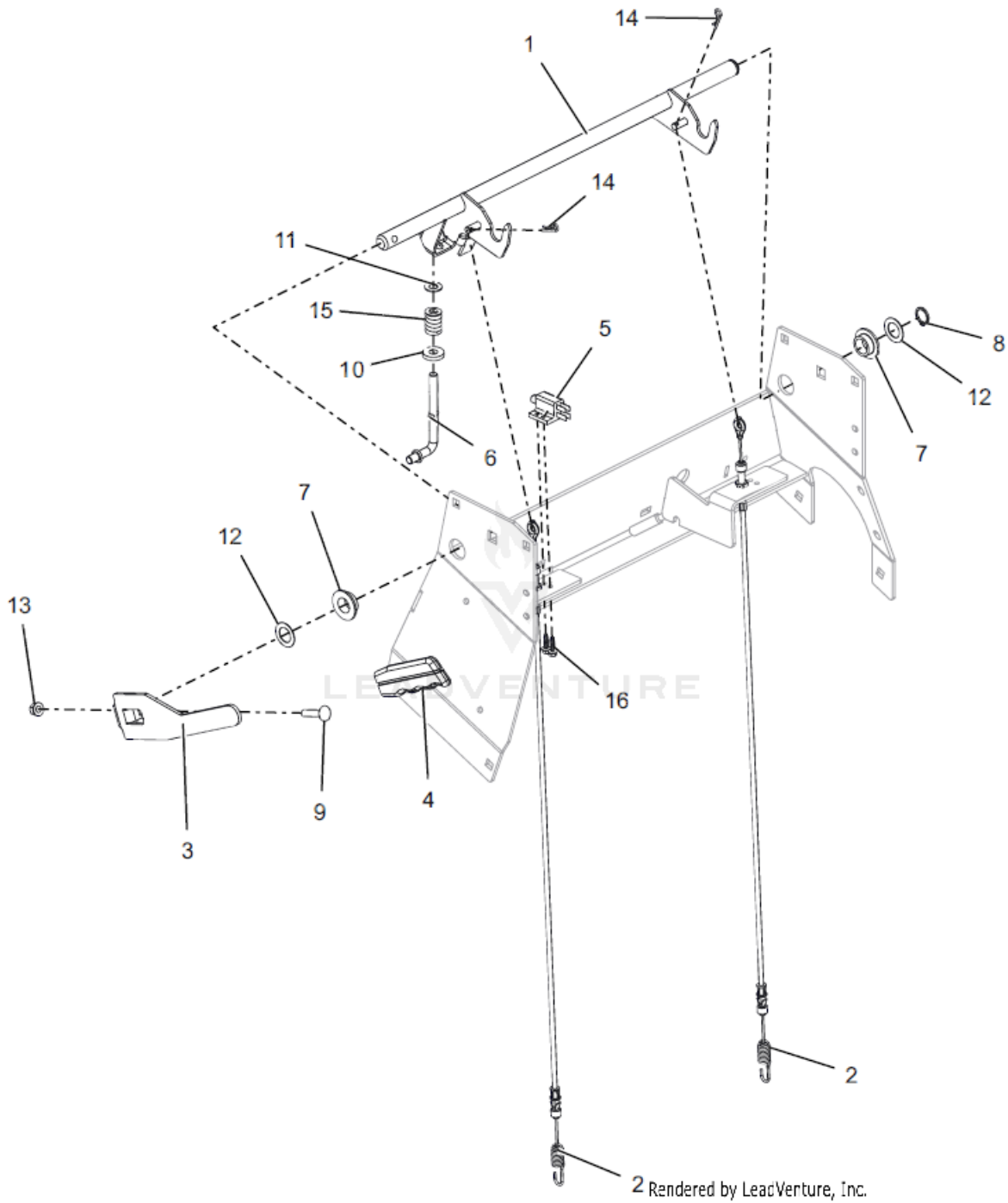


24
Rendered by LeadVenture, Inc.

AGU994149 Operator Platform

| Ref Number | Part Number | Part Description | Context Notes | Quantity |
|-------------------|--------------------|--------------------------------------|----------------------|-----------------|
| 1 | AGP05260151 | PLATFORM, 32-36" OPERATOR (BLACK) | | 1 |
| 2 | AGP05268553 | GUARD, FOOT (RED) | | 1 |
| 3 | AGP05272600 | WLDMT, DECK LIFT FOOT ASSIST (BLACK) | | 1 |
| 4 | AGP05266400 | PIN, PLATFORM LOCK | | 1 |
| 5 | AGP05255200 | BUMPER, PLATFORM | | 2 |
| 6 | AGP05255200 | BUMPER, PLATFORM | | 1 |
| 7 | AGP05435900 | BRG, .750 X .875 X 1.000 | | 3 |
| 8 | AGP05527200 | BSHG-FLG .515X.746X1.290X1.000 | | 3 |
| 9 | AGP05803400 | PIN-ROLL .125X.75 | | 1 |
| 10 | AGP05901703 | BLT,HEX .50-13X3.75 G5 ZCC | | 1 |
| 11 | AGP05901835 | BLT, HEX .50-13X2.25 G5 ZCC | | 1 |
| 12 | AGP05902033 | SCR, SKH .25-20X1.00 | | 2 |
| 13 | AGP06401001 | WSHR,FLT .281X.625X.065 ZCC | | 2 |
| 14 | AGP06401129 | WSHR-FL-STL 0.406X0.812X0.055 HRD | | 1 |
| 15 | AGP06401015 | WSHR,FLT .531X1.062X.095 ZCC | | 2 |
| 16 | AGP06500921 | NUT-KEPS .250-20 ZCC | | 2 |
| 17 | AGP06500902 | NUT-LK-CTR-FLG .500-13 GG ZCC | | 2 |
| 18 | AGP07400122 | SCR-TAP .25-20X.50 HWH ZCC | | 2 |
| 19 | AGP08300028 | SPRING, COMPRESSION | | 1 |
| 20 | AGP05120951 | ROD, FOOT PEDAL (BLACK) | | 1 |
| 21 | AGP05901730 | BLT, HEX .62-11X5.50 G5 FBP | | 1 |
| 22 | AGP06401013 | WSHR,FLT .406X.812X.065 ZCC | | 1 |
| 23 | AGP06500835 | NUT,FLG-TOP LK .625-11 FBP | | 1 |
| 24 | AGP00918200 | STRIP, COWL | | 1 |
| 25 | AGP07539900 | KNOB, PUSH-PULL .312-18 | | 1 |
| 26 | AGP06401039 | WSHRFLT 5/8SAE CARBHARD FBP | | 1 |

AGU994149 Parking Brake

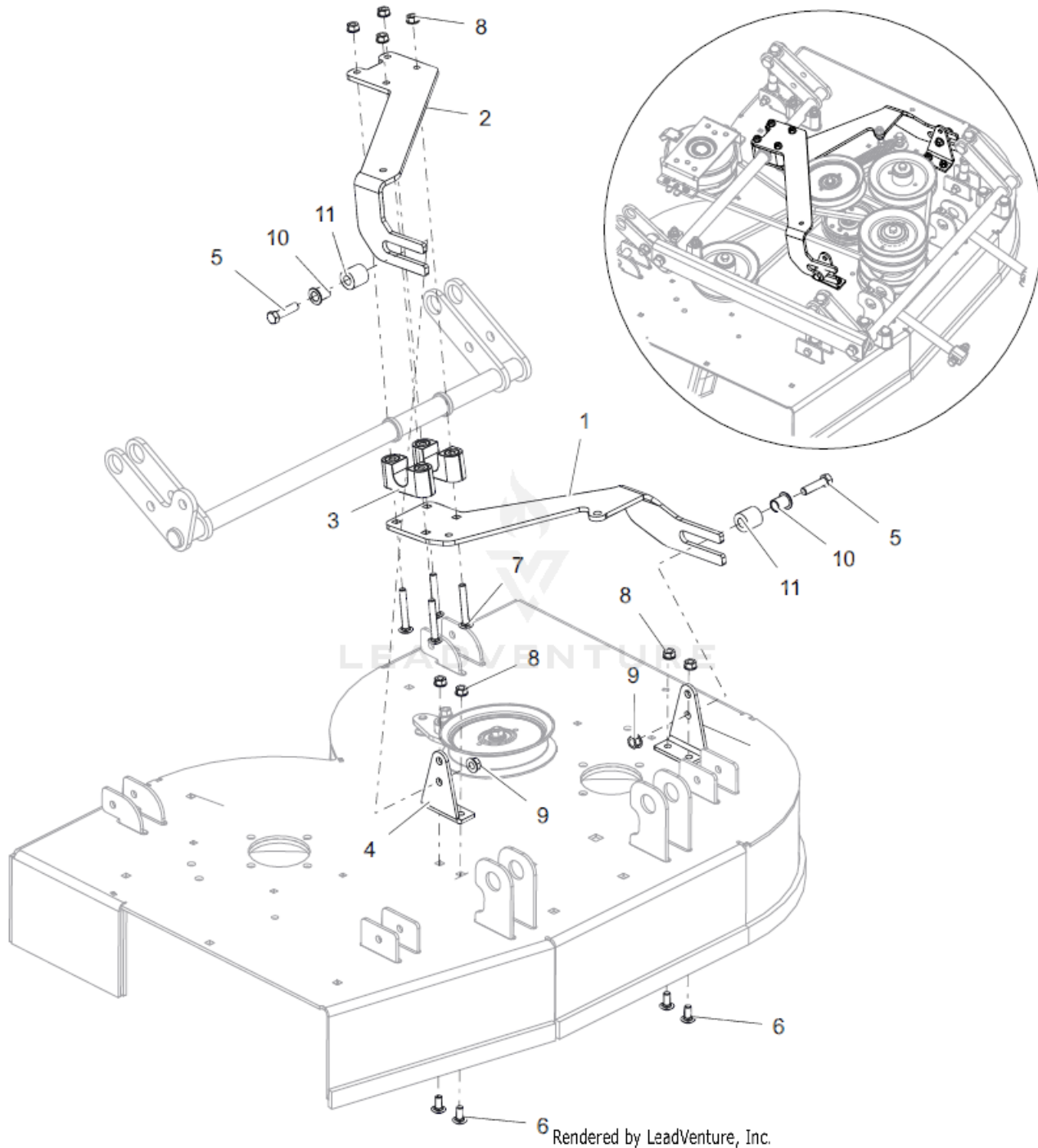


2 Rendered by LeadVenture, Inc.

AGU994149 Parking Brake

| Ref Number | Part Number | Part Description | Context Notes | Quantity |
|-------------------|--------------------|------------------------------------|----------------------|-----------------|
| 1 | AGP05190451 | WLDMT, PARKING BRAKE SHAFT (BLACK) | | 1 |
| 2 | AGP06900719 | CABLE, BREAK - PROSTANCE | | 2 |
| 3 | AGP05259951 | HANDLE, PARK BRAKE (BLACK) | | 1 |
| 4 | AGP03826900 | GRIP, PARKING BRAKE (YELLOW) | | 1 |
| 5 | AGP03606600 | SWITCH- DOUBLE POLE N.O./N.O. | | 1 |
| 6 | AGP05166900 | LINK, OVER CENTER BRAKE | | 1 |
| 7 | AGP05525200 | BSHG-FLG .762X1.48X.44 NYL | | 2 |
| 8 | AGP05714600 | RG-RTNG-EXT .689X.078 | | 1 |
| 9 | AGP06200233 | BLT,RHSN .31-18X1.50 G5 ZCC | | 1 |
| 10 | AGP06401108 | WSHR, FLT .406X1.00X.188 ZCC | | 1 |
| 11 | AGP06401129 | WSHR-FL-STL 0.406X0.812X0.055 HRD | | 1 |
| 12 | AGP06401136 | WSHR-FL-STL 0.76X1.225X0.032 ZCC | | 2 |
| 13 | AGP06500840 | NUT,LK-CTR-FLG .31-18 GF ZCC | | 1 |
| 14 | AGP06700222 | PIN, HAIR #213 .08X1.19 ZCC | | 2 |
| 15 | AGP08320900 | SG-COMP .187X.56X1.62 | | 1 |
| 16 | AGP06100232 | SCR, PLASTITE-HWH 0.2 X 0.75 ZC120 | | 2 |

AGU994149 Pivoting Idler



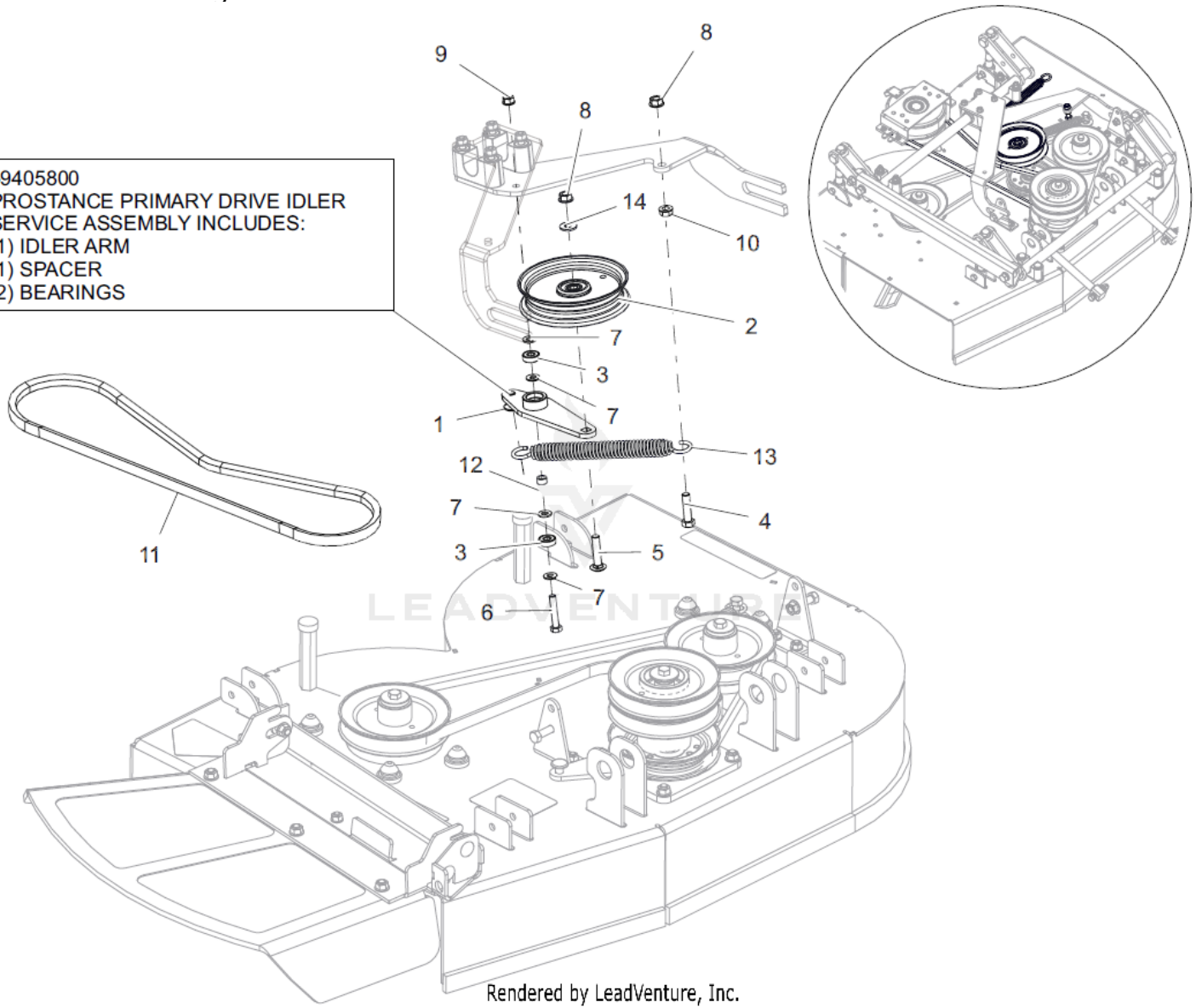
Rendered by LeadVenture, Inc.

AGU994149 Pivoting Idler

| Ref Number | Part Number | Part Description | Context Notes | Quantity |
|-------------------|--------------------|------------------------------------|----------------------|-----------------|
| 1 | AGP05266651 | BRKT, PIVOTING IDLER (BLACK) | | 1 |
| 2 | AGP05266751 | BRKT, UPPER PIVOTING IDLER (BLACK) | | 1 |
| 3 | AGP07500414 | ASM-BUSHING, DECK LIFT | | 2 |
| 4 | AGP05266951 | BRKT, IDLER PIVOT (BLACK) | | 2 |
| 5 | AGP05901928 | BLT, HEX .38-16X1.50 G5 ZCC | | 2 |
| 6 | AGP06200309 | BLT, RHSSN.31-18X.750 G5 ZCC | | 4 |
| 7 | AGP06200311 | BLT, RHSSN.31-18X2.25 G5 ZCC | | 4 |
| 8 | AGP06500840 | NUT,LK-CTR-FLG .31-18 GF ZCC | | 8 |
| 9 | AGP06500901 | NUT-LK-CTR-FLG .375-16 GF ZCC | | 2 |
| 10 | AGP05501419 | BSHG- FLANGE .5X.625X.75X.062 | | 2 |
| 11 | AGP05501418 | SPCR- SLV .385 X .500 X .750 | | 2 |

AGU994149 Pivoting Idler Continued

59405800
PROSTANCE PRIMARY DRIVE IDLER
SERVICE ASSEMBLY INCLUDES:
(1) IDLER ARM
(1) SPACER
(2) BEARINGS

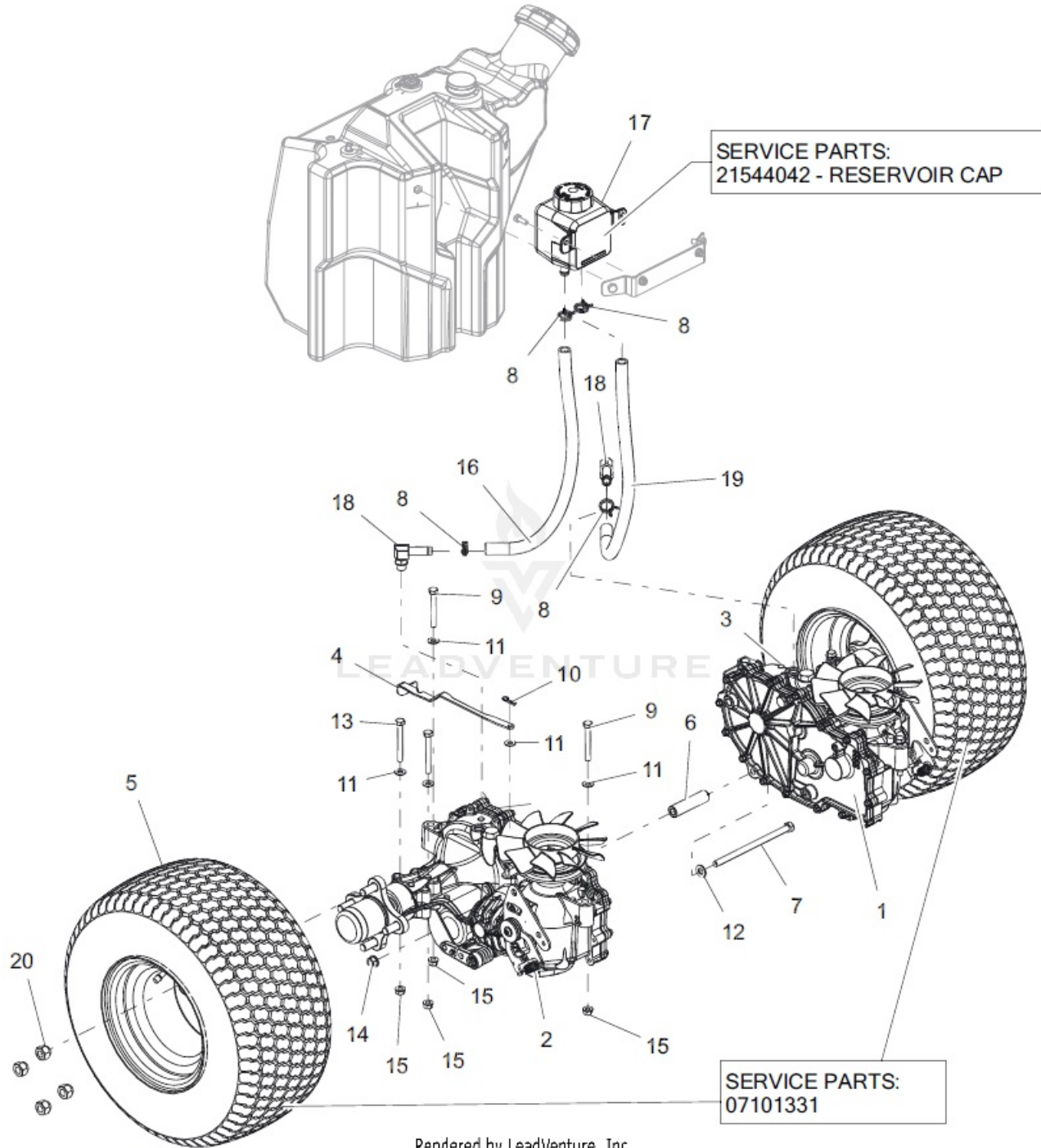


Rendered by LeadVenture, Inc.

AGU994149 Pivoting Idler Continued

| Ref Number | Part Number | Part Description | Context Notes | Quantity |
|-------------------|--------------------|------------------------------------|---------------------------|-----------------|
| 1 | AGP05266800 | WLDMT, IDLER ARM | | 1 |
| 2 | AGP07351200 | IDLER- FLAT - 5.00" X .75" | | 1 |
| 3 | AGP05400719 | BRG-BALL .315X.866X.276(608) | | 2 |
| 4 | AGP05901928 | BLT, HEX .38-16X1.50 G5 ZCC | | 1 |
| 5 | AGP06200329 | BTL,RHSSN .375-16 X 1.75 G5 ZCC | | 1 |
| 6 | AGP05901804 | BLT, HEX .31-18X1.75 G5 ZCC | | 1 |
| 7 | AGP06401113 | WSHR, HRDN 0.344X0.688X0.065 | | 4 |
| 8 | AGP06500901 | NUT-LK-CTR-FLG .375-16 GF ZCC | | 2 |
| 9 | AGP06500840 | NUT,LK-CTR-FLG .31-18 GF ZCC | | 1 |
| 10 | AGP06500735 | NUT, SPNLK-FLG .38-16 G5 ZCC | | 1 |
| 11 | AGP07200831 | V-BELT, 5L RAW EDGE EPDM | | 1 |
| 12 | AGP05501408 | SPCR- SLV .344 X .500 X .283 | | 1 |
| 13 | AGP08300728 | SPRING- EXTENSION | | 1 |
| 14 | AGP06401023 | WSHR,FLT .375X.875X.083 ZCC | | 1 |
| 15 | AGP59405800 | PROSTANCE PRIMARY DRIVE IDLER | Service Component Part | 1 |

AGU994149 Rear Tires & Transaxles - 36"



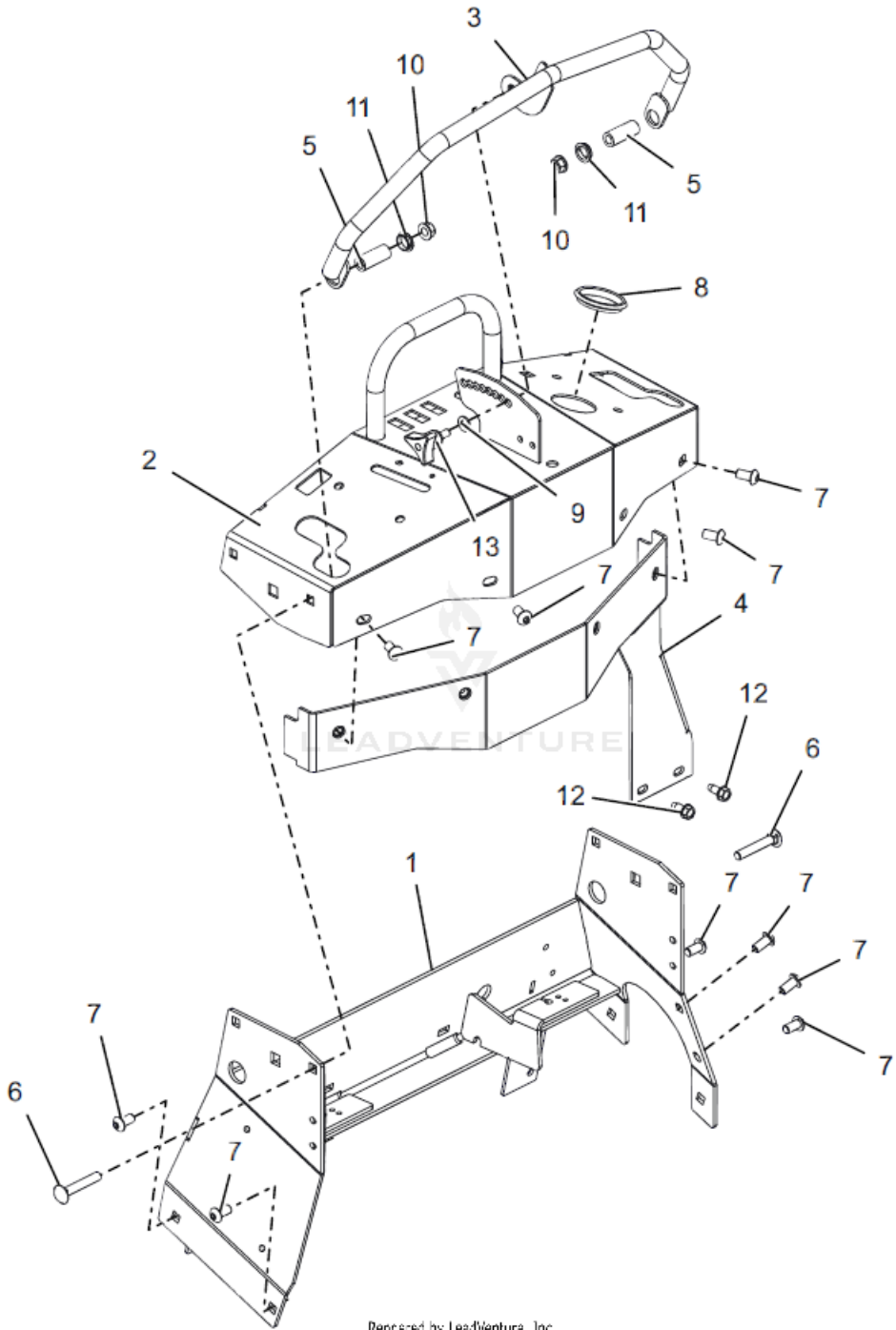
Rendered by LeadVenture, Inc.

AGU994149 Rear Tires & Transaxles - 36"

| Ref Number | Part Number | Part Description | Context Notes | Quantity |
|-------------------|--------------------|---------------------------------|----------------------|-----------------|
| 1 | AGP09159700 | TRANSAXLE, LH ZT3100 | | 1 |
| 2 | AGP09159800 | TRANSAXLE, RH ZT3100 | | 1 |
| 3 | AGP05192951 | BRKT, HYDRO DUMP - LEFT | | 1 |
| 4 | AGP05193051 | BRKT, HYDRO DUMP - RIGHT | | 1 |
| 5 | AGP07101330 | ASSM TIRE\WHEEL, 18 X 8.50 - R8 | | 2 |
| 6 | AGP04672400 | SHAFT, CROSS BRACE | | 1 |
| 7 | AGP05902029 | BLT, HEX .38-16X6.50 G5 ZCC | | 1 |
| 8 | AGP06900634 | 3/4 WIRE HOSE CLMP ZC | | 4 |
| 9 | AGP05901912 | BLT, HEX 0.3125-18X2.5 GR5 ZCC | | 4 |
| 10 | AGP06700222 | PIN, HAIR #213 .08X1.19 ZCC | | 2 |
| 11 | AGP06401017 | WSHR,FLT .344X.688X.065 ZCC | | 10 |
| 12 | AGP06401013 | WSHR,FLT .406X.812X.065 ZCC | | 1 |
| 13 | AGP05901807 | BLT, HEX .31-18X2.75 G5 ZCC | | 4 |
| 14 | AGP06500901 | NUT-LK-CTR-FLG .375-16 GF ZCC | | 1 |
| 15 | AGP06500840 | NUT,LK-CTR-FLG .31-18 GF ZCC | | 8 |
| 16 | AGP09369700 | HOSE, OVERFLOW 19" | | 1 |
| 17 | AGP04894600 | TANK, HYDRO OVERFLOW 700 ML | | 1 |
| 18 | AGP07001528 | FITTING, HYD (90 DEG) | | 2 |
| 19 | AGP09369800 | HOSE, OVERFLOW 20" | | 1 |
| 20 | AGP06500926 | NUT, WHEEL .50-20 ZCC | | 8 |

| Ref Number | Part Number | Part Description | Context Notes | Quantity |
|-------------------|--------------------|------------------------------|------------------------|-----------------|
| 21 | AGP21544042 | CAP, HYDRO RESERVOIR REPLAC. | Service Component Part | 1 |
| 22 | AGP07101331 | TYRE, 18X8.50-R8 | Service Component Part | 2 |

AGU994149 Tower & Dash

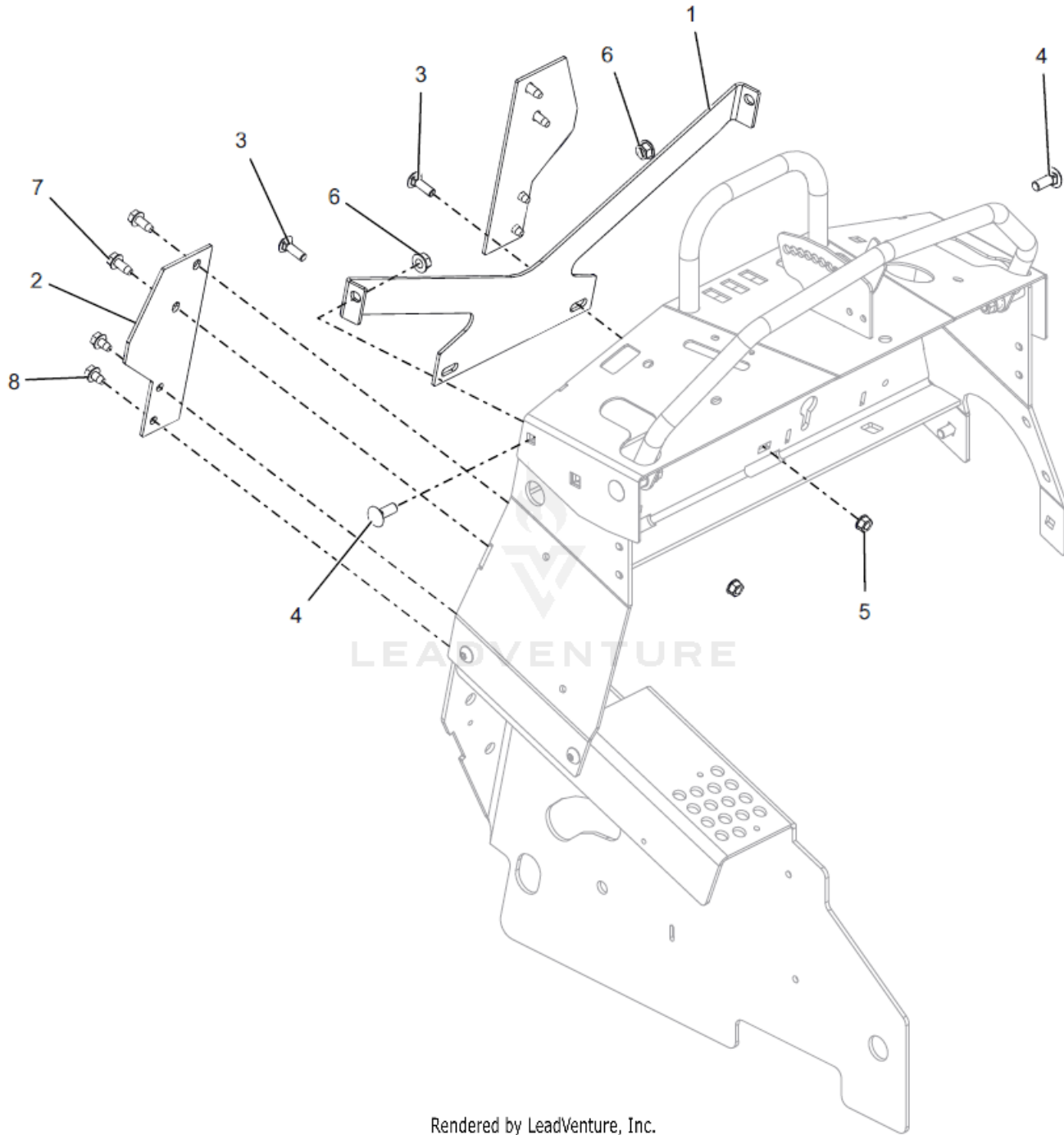


Rendered by LeadVenture, Inc.

AGU994149 Tower & Dash

| Ref Number | Part Number | Part Description | Context Notes | Quantity |
|-------------------|--------------------|--------------------------------|----------------------|-----------------|
| 1 | AGP09165900 | WLDMT, TOWER (RED) | | 1 |
| 2 | AGP09166000 | WLDMT, DASH (RED) | | 1 |
| 3 | AGP05190651 | WLDMT, CRUISE BAR | | 1 |
| 4 | AGP09165551 | WLDMT, DASH ACCENT (BLACK) | | 1 |
| 5 | AGP03954800 | SPACER, .375 X .625 X 1.54 | | 2 |
| 6 | AGP06200301 | BLT,RHSN .38-16X2.25 G5 ZCC | | 2 |
| 7 | AGP06100238 | SCR,BTNHD .375-16X.75 ZCC | | 10 |
| 8 | AGP07500433 | GROMMET, RUBBER 1.89 ID | | 1 |
| 9 | AGP06401017 | WSHR,FLT .344X.688X.065 ZCC | | 1 |
| 10 | AGP06500901 | NUT-LK-CTR-FLG .375-16 GF ZCC | | 2 |
| 11 | AGP05500021 | BUSHING, POLYLINER-.63 SNAPIN | | 2 |
| 12 | AGP07400127 | SCR,TAP .312-18X.75 HWH TR ZCC | | 2 |
| 13 | AGP07500008 | KNOB,WING STUD 5/16-18 X .75 | | 1 |

AGU994149 Tower & Dash Continued

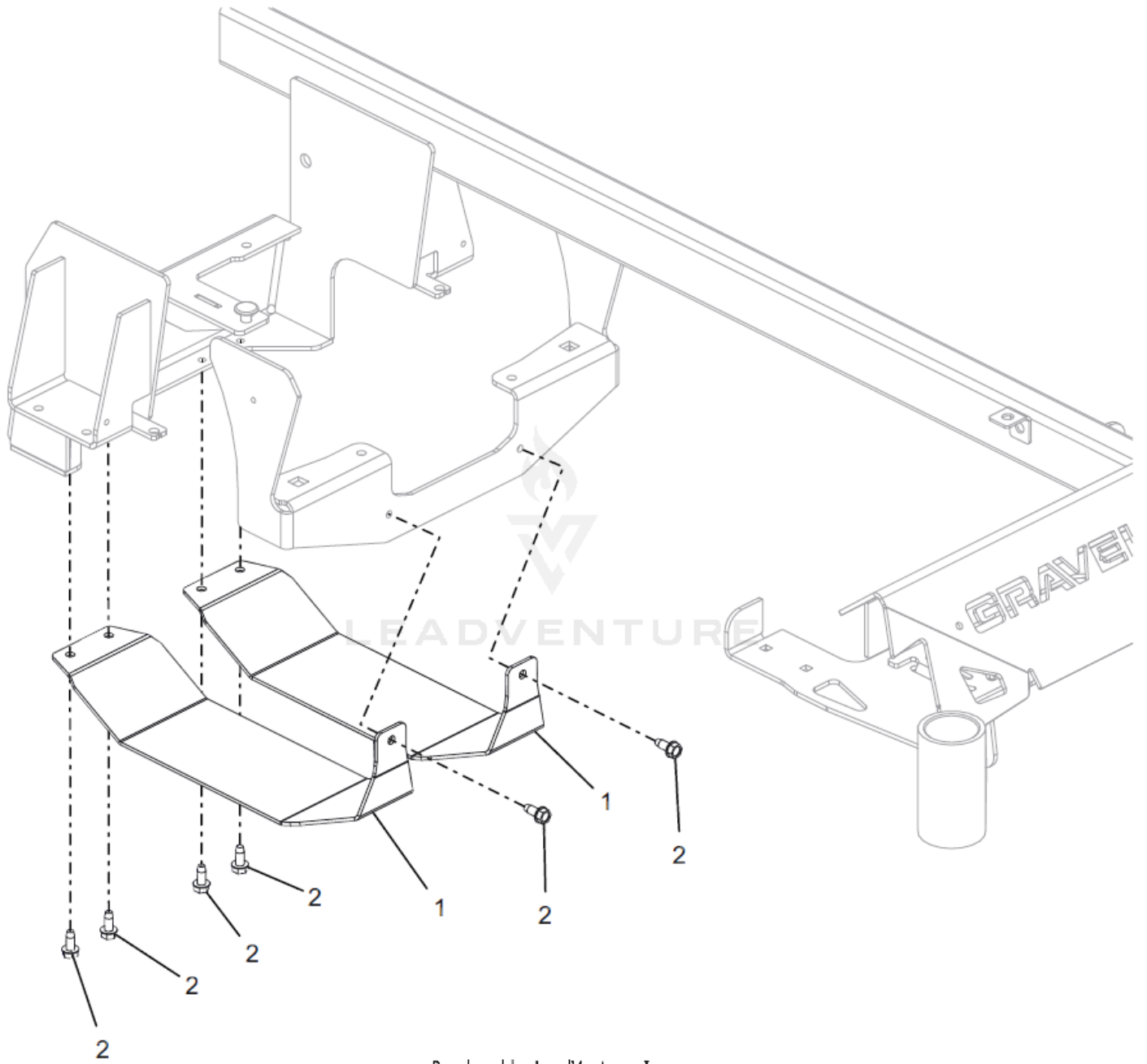


Rendered by LeadVenture, Inc.

AGU994149 Tower & Dash Continued

| Ref Number | Part Number | Part Description | Context Notes | Quantity |
|-------------------|--------------------|---------------------------------|----------------------|-----------------|
| 1 | AGP09165453 | BRKT, UPPER REAR SUPPORT (RED) | | 1 |
| 2 | AGP09165353 | PLATE, LOWER REAR SUPPORT (RED) | | 2 |
| 3 | AGP06200231 | BLT,RHSN .31-18X1.00 G5 ZCC | | 2 |
| 4 | AGP06200313 | BLT, RHSN .38-16X1.00 G5 ZCC | | 2 |
| 5 | AGP06500840 | NUT,LK-CTR-FLG .31-18 GF ZCC | | 2 |
| 6 | AGP06500901 | NUT-LK-CTR-FLG .375-16 GF ZCC | | 2 |
| 7 | AGP07400127 | SCR,TAP .312-18X.75 HWH TR ZCC | | 4 |
| 8 | AGP07400124 | SCR,TAP .312-18X.50 HWH TR ZCC | | 4 |

AGU994149 Transaxle Guards



Rendered by LeadVenture, Inc.

AGU994149 Transaxle Guards

| Ref Number | Part Number | Part Description | Context Notes | Quantity |
|-------------------|--------------------|-----------------------------------|----------------------|-----------------|
| 1 | AGP05252251 | PLATE, SKID (BLACK) | | 2 |
| 2 | AGP07400127 | SCR,TAP .312-18X.75 HWH TR ZCC | | 6 |