

Pro-Stance 48 [AGU994161]
(000500+)

TABLE OF CONTENTS

AGU994161 Unit	3
AGU994161 Belt Covers	5
AGU994161 Front Casters	7
AGU994161 Electrical Diagram	10
AGU994161 Continuity Diagram	12
AGU994161 Electrical	14
AGU994161 Rear Tires & Transaxles	17
AGU994161 Transaxle Guards	20
AGU994161 Fenders	22
AGU994161 Fuel System	24
AGU994161 Deck Lift Linkage	26
AGU994161 Deck Lift Mounts	28
AGU994161 Deck Lift	30
AGU994161 Height of Cut	32
AGU994161 Deck Lift Foot Assist	35
AGU994161 Discharge Chute	37
AGU994161 Parking Brake	39
AGU994161 Drive Controls (Continued)	41
AGU994161 Drive Controls	43
AGU994161 Drive Belt & Clutch	45
AGU994161 Muffler	48
AGU994161 Operator Pad & Switches	50
AGU994161 Tower & Dash	52
AGU994161 Engine & Frame	54
AGU994161 Decals - Safety	57
AGU994161 Anti-Scalp Wheels & Baffles - 48"	59
AGU994161 Idlers & Sheaves - 48"	61
AGU994161 Deck, Belt, Blades, & Spindles - 48"	64
AGU994161 Decals Style - 48"	66
AGU994161 Operator Platform	68

AGU994161 Unit

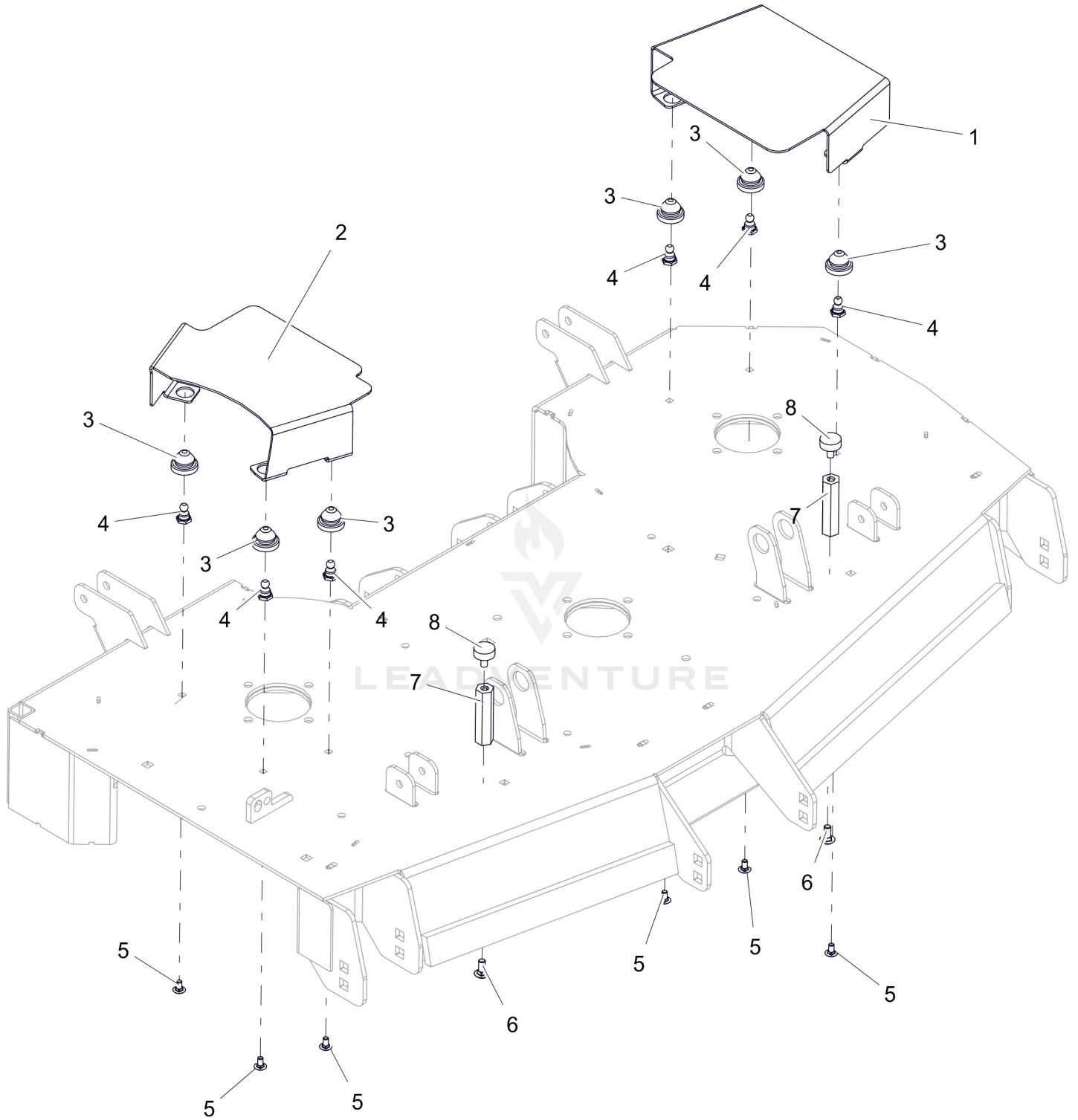


Rendered by LeadVenture, Inc.

AGU994161 Unit

Ref Number	Part Number	Part Description	Context Notes	Quantity
1	AGU994161	PRO-STANCE 48FL - 23.5HP KAWASAKI FX691V, ZT3400 TRANSAXLES		1

AGU994161 Belt Covers

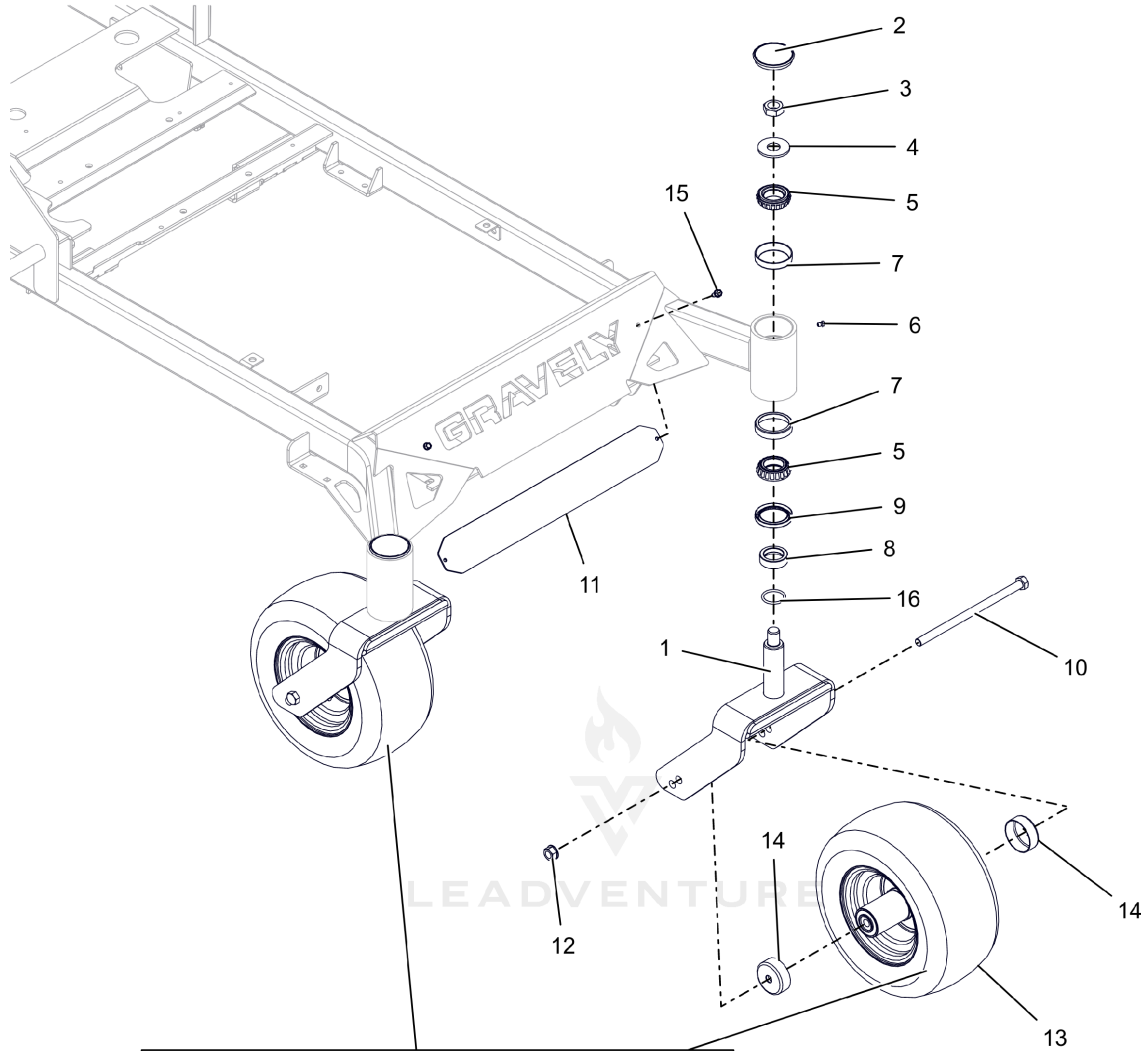


Rendered by LeadVenture, Inc.

AGU994161 Belt Covers

Ref Number	Part Number	Part Description	Context Notes	Quantity
1	AGP05276053	GUARD, LH DECK BELT (RED)		1
2	AGP05276153	GUARD, RH DECK BELT (RED)		1
3	AGP07500429	COUPLING, RUBBER PUSH-IN		6
4	AGP05275900	STUD, BALL FEMALE .250-20 THREAD		6
5	AGP06200305	BLT, RHSSN.25-20X.500 G5 ZCC		6
6	AGP06200425	BTL,RHSN .313-18 X 0.75 G5 ZCC LT		2
7	AGP07000027	NUT, COUPLING .31-18 X 3.00		2
8	AGP07533600	BUMPER, RUBBER		2

AGU994161 Front Casters



SERVICE PARTS:
05404400 - 1.780 X .475 BEARING CUP
05404500 - 750 X .610 BEARING CONE
05600517 - 1.125 X 1.781 X .469 SEAL
05501238 - .505 ID X .750 OD X 7.38 LG SPANNER
05501239 - 1.125 ID X .750 LG SPACER
07001008 - 1/4-28 EXTENDED GREASE FITTING

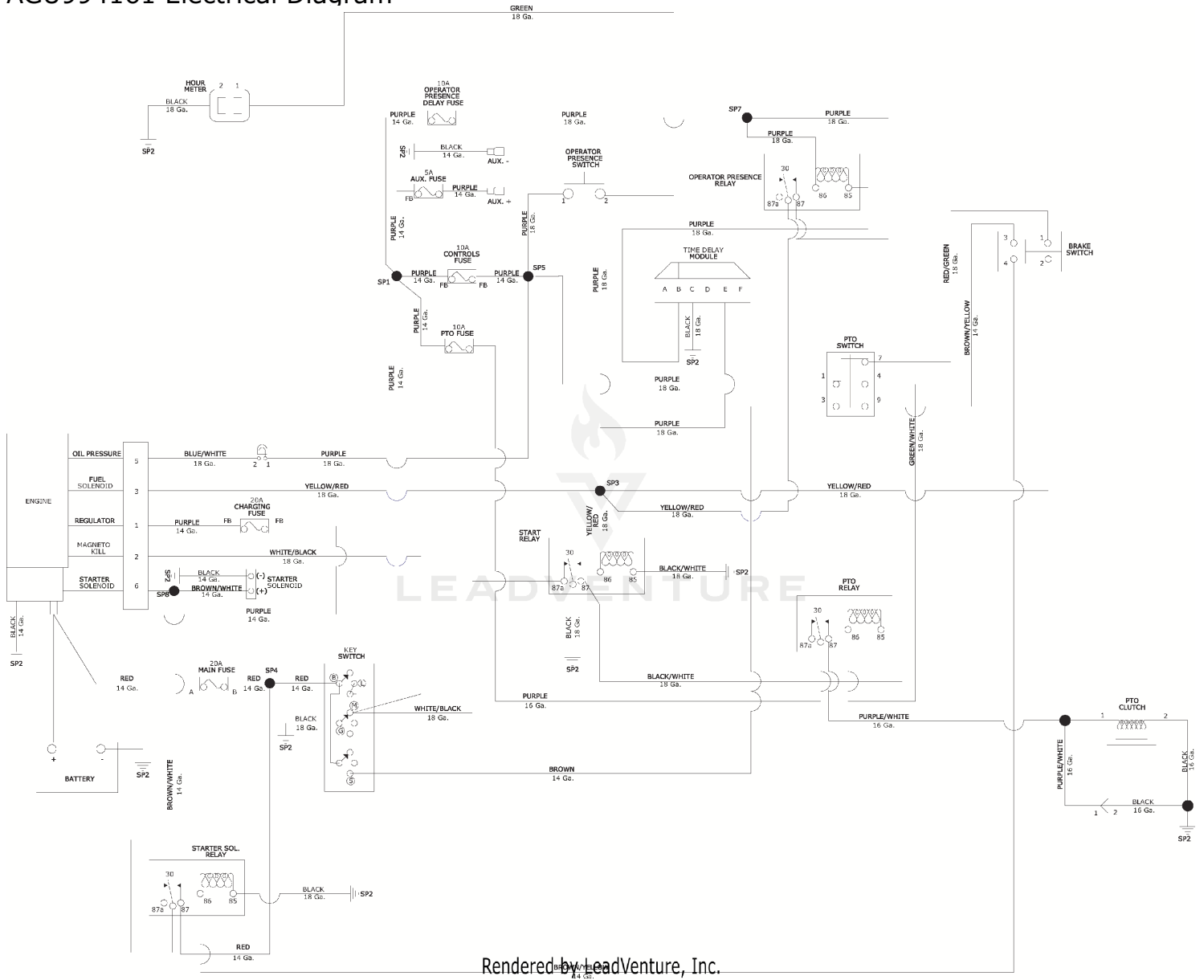
Rendered by LeadVenture, Inc.

AGU994161 Front Casters

Ref Number	Part Number	Part Description	Context Notes	Quantity
1	AGP03924453	CASTER FORK WMT - RED		2
2	AGP03925900	CAP, DUST		2
3	AGP06500933	NUT, JAM-TOPLOCK .750-16 ZCC		2
4	AGP06401201	WSHR-FL-STL 0.812X2X0.148 ZCC		2
5	AGP05404700	BRG-CONE 1.25X.66		4
6	AGP07001727	FTG, .25-28 FLUSH MNT GREASE		2
7	AGP05404600	BRG-CUP 2.328X.465		4
8	AGP04861500	SPCR, FRONT CASTER FORK		2
9	AGP05600432	SEAL, OIL 1.75 X 2.332 X .312		2
10	AGP05901930	BLT, HEX .50-13X9.00 G5 ZCC		2
11	AGP04386551	BUMPER LOGO BACKING PLATE -BLK		1
12	AGP06500907	NUT-LK-TOP-FLG .500-13 GF ZCC		2
13	AGP07101308	ASM, WHL/TIRE 13X6.50-6 SEMI-PNEUMATIC		2
14	AGP09357800	SHIELD, WHEEL BEARING		4
15	AGP07400122	SCR-TAP .25-20X.50 HWH ZCC		2
16	AGP05600515	O-RING,		2
17	AGP05404400	BRG-CUP 1.781X.475	Component Service Part	2
18	AGP05404500	BRG-CONE .750X.61	Component Service Part	2
19	AGP05600517	SEAL, 1.125 X 1.781 X .469	Component Service Part	2
20	AGP05501238	SPANNER, .505ID X.750OD X7.38LG	Component Service Part	2

Ref Number	Part Number	Part Description	Context Notes	Quantity
21	AGP05501239	SPACER, 1.125 ID X .750 LG	Component Service Part	2
22	AGP07001008	GREASE FITTING 1/4-28 EXTENDED	Component Service Part	2

AGU994161 Electrical Diagram



Rendered by LeadVenture, Inc.

AGU994161 Electrical Diagram

Ref Number	Part Number	Part Description	Context Notes	Quantity
-------------------	--------------------	-------------------------	----------------------	-----------------

AGU994161 Continuity Diagram

The diagrams below show the various states of connection for electrical components.

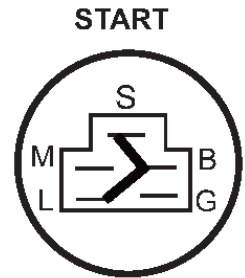
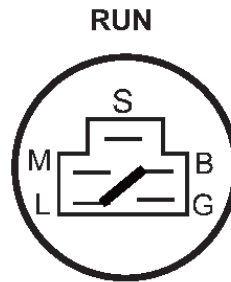
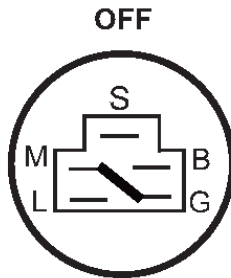
The solid lines on switches show continuity.

NOTE: All switches are viewed from the rear.

Key Switch

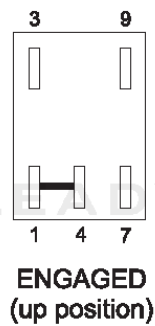
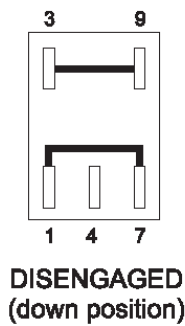
(04331600)

POSITION	CIRCUIT
1. OFF	G + M
2. RUN	B + L
3. START	B + L + S



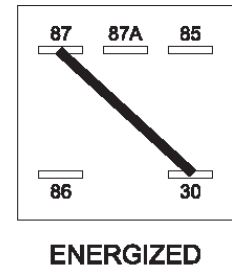
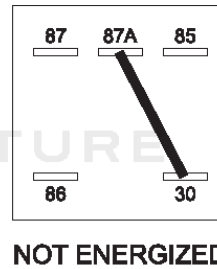
PTO Switch

(01545600)



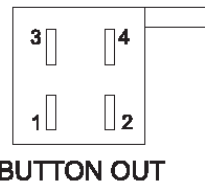
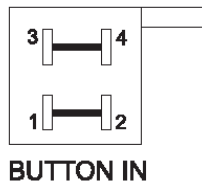
Relay

(04438400)



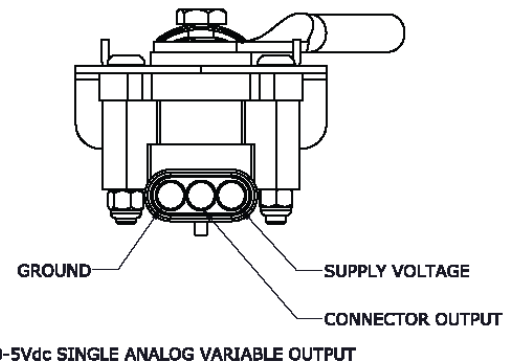
Brake Switch

(03834300)



Throttle Control EFI

(06900711)



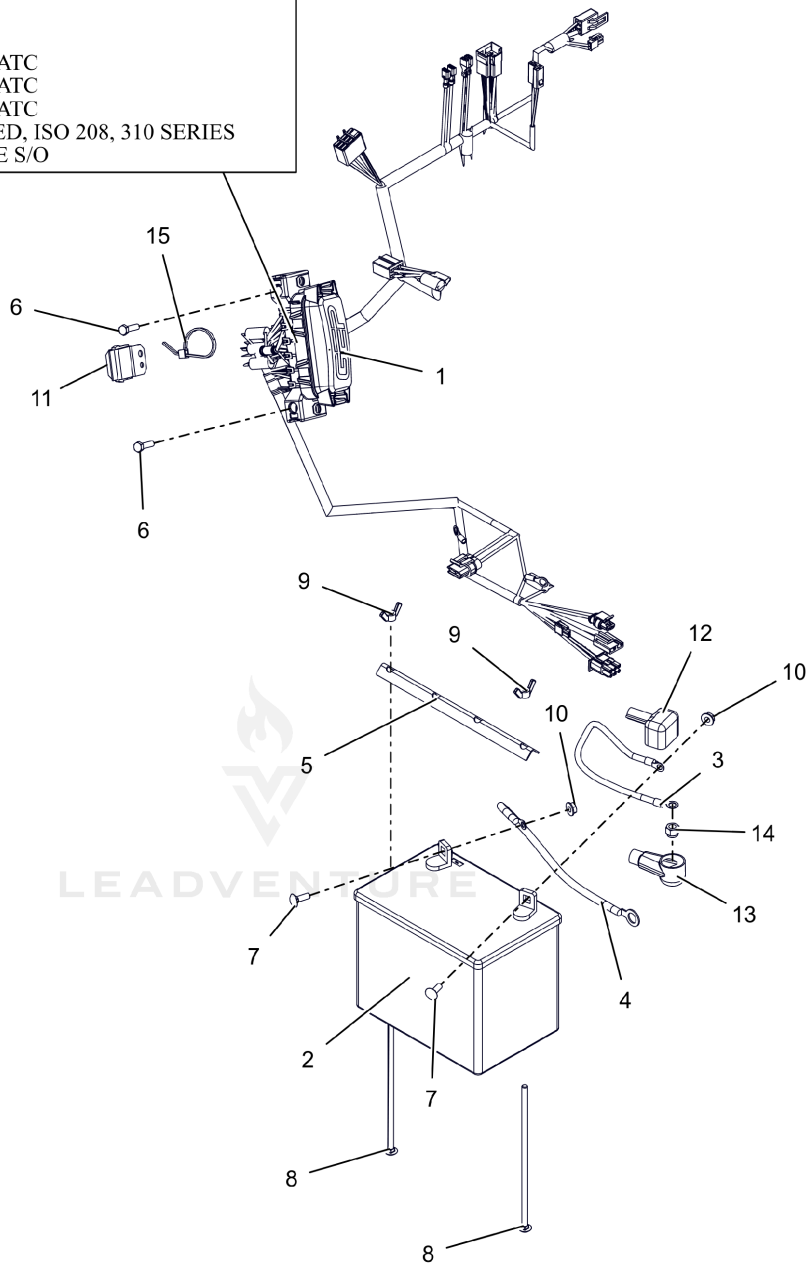
Rendered by LeadVenture, Inc.

AGU994161 Continuity Diagram

Ref Number	Part Number	Part Description	Context Notes	Quantity
-------------------	--------------------	-------------------------	----------------------	-----------------

AGU994161 Electrical

SERVICE PARTS
09293500 - DIODE
04438100 - FUSE, 10 AMP MINI ATC
04438300 - FUSE, 20 AMP MINI ATC
05076400 - FUSE, 5 AMP MINI ATC
04438400 - RELAY, SPDT, SEALED, ISO 208, 310 SERIES
00191262 - FUSE, 20AMP BLADE S/O



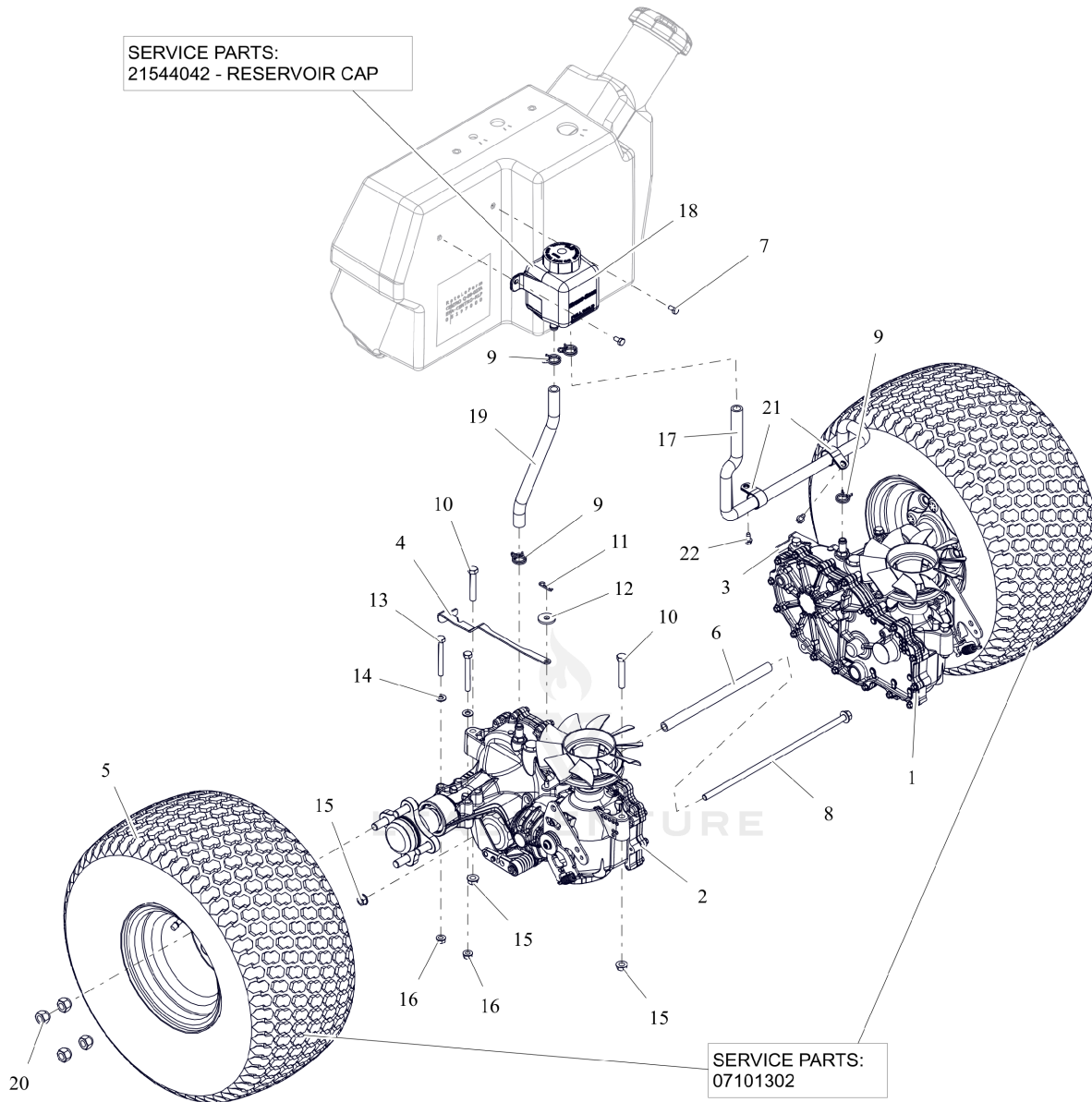
Rendered by LeadVenture, Inc.

AGU994161 Electrical

Ref Number	Part Number	Part Description	Context Notes	Quantity
1	AGP05189700	HARNESS, PROSTANCE		1
2	AGP01554800	BATTERY, 300 CCA 10U1L		1
3	AGP02727201	CABLE, STARTER 13.00"		1
4	AGP03287100	CABLE-GROUND .25 X 13.00 X .31		1
5	AGP03494051	HOLD DOWN		1
6	AGP05901609	BLT, HEX M6-1.0 X 25 G8.8 ZCC		2
7	AGP06200307	BLT, RHSN .25-20X.750 G5 ZCC		2
8	AGP06200424	BTL,RHSN .250-20 X 7.5 G5 ZCC		2
9	AGP06500805	NUT, LK-WING .25-20 ZCC		2
10	AGP06500824	NUT-SPNLK-FLG .25-20 ZC120		2
11	AGP09044200	MODULE,INTERLOCK,DELAY, 1801		1
12	AGP07505700	INSULATOR		1
13	AGP00525800	BOOT, BATTERY TERMINAL- RED		1
14	AGP06500817	NUT,NYL M8-1.25 G8.8 ZCC		1
15	AGP00111910	CABLE TIE, .15 X 8.50		1
16	AGP09293500	DIODE, CONNECTOR SHELL	Component Service Part	1
17	AGP04438100	FUSE,10 AMP MINI-ATC	Component Service Part	1
18	AGP04438300	FUSE,20 AMP MINI ATC	Component Service Part	1
19	AGP05076400	FUSE, 5 AMP MINI-ATC	Component Service Part	1
20	AGP04438400	RELAY,MICRO5 TERML W/RESISTOR	Component Service Part	1

Ref Number	Part Number	Part Description	Context Notes	Quantity
21	AGP00191262	FUSE, 20 AMP BLADE S/O	Component Service Part	1

AGU994161 Rear Tires & Transaxles



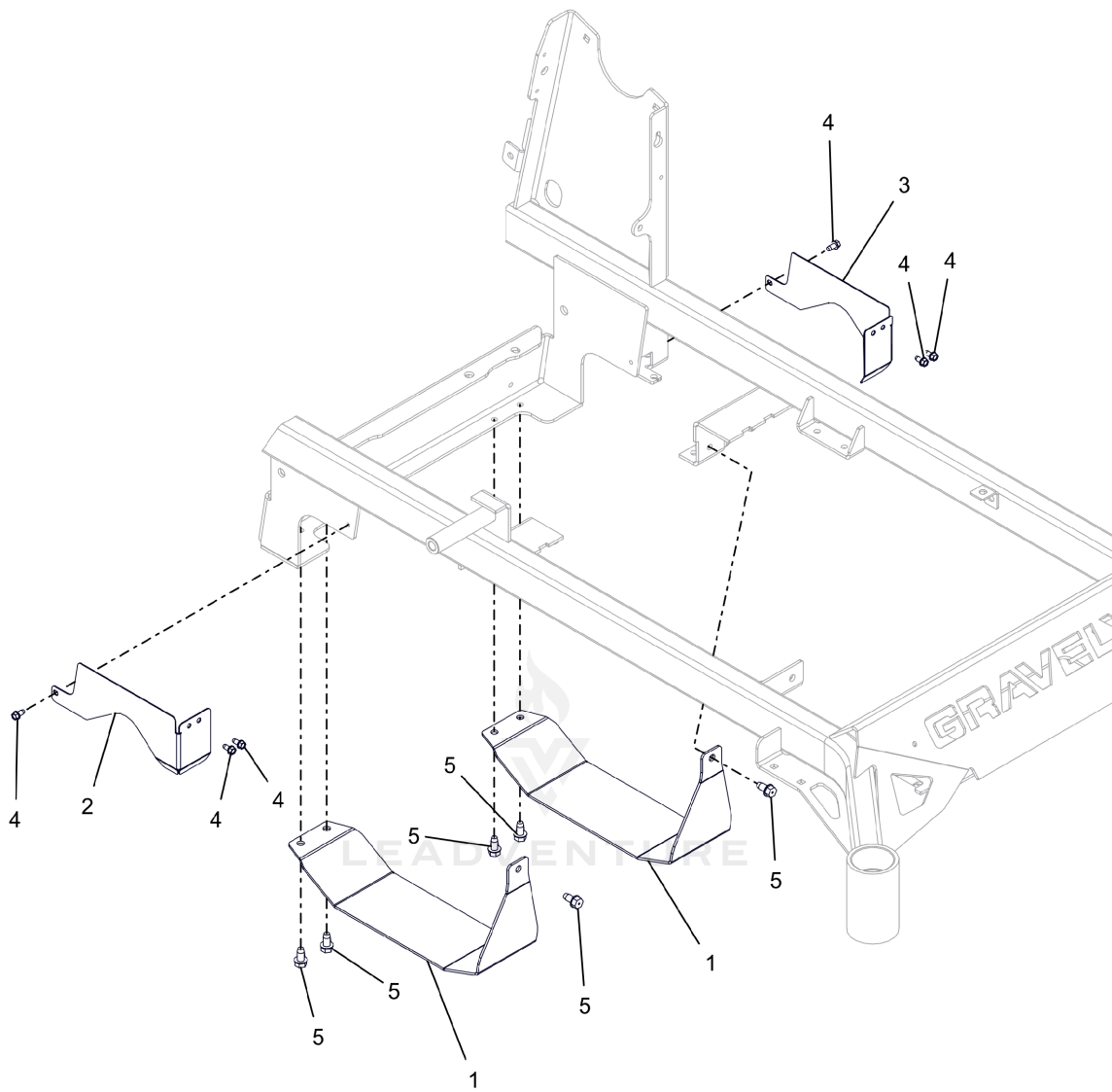
Rendered by LeadVenture, Inc.

AGU994161 Rear Tires & Transaxles

Ref Number	Part Number	Part Description	Context Notes	Quantity
1	AGP09159500	TRANSAXLE- ZT3400 - LH		1
2	AGP09159600	TRANSAXLE- ZT3400 - RH		1
3	AGP05192951	BRKT, HYDRO DUMP - LEFT		1
4	AGP05193051	BRKT, HYDRO DUMP - RIGHT		1
5	AGP07101321	ASSM TIRE/WHEEL 20 X 10.50 - 8		2
6	AGP05198600	SPCR,TRANSAXLE		1
7	AGP05901705	BLT,HEX .25-20X.50 G5 ZCC		2
8	AGP05901903	BLT, HEX-FLG 0.375-16X13 GR5 ZC120		1
9	AGP06900634	3/4 WIRE HOSE CLMP ZC		4
10	AGP05901640	BLT,HEX .38-16X2.25 G5 ZCC		4
11	AGP06700222	PIN, HAIR #213 .08X1.19 ZCC		2
12	AGP06401104	WSHR, FLT .340X1.125X.135 ZCC		2
13	AGP05901807	BLT, HEX .31-18X2.75 G5 ZCC		4
14	AGP06401017	WSHR,FLT .344X.688X.065 ZCC		4
15	AGP06500901	NUT-LK-CTR-FLG .375-16 GF ZCC		5
16	AGP06500840	NUT,LK-CTR-FLG .31-18 GF ZCC		4
17	AGP05193700	HOSE, PROSTANCE-OVERFLOW LEFT		1
18	AGP04894600	TANK, HYDRO OVERFLOW 700 ML		1
19	AGP05193800	HOSE, PROSTANCE-OVERFLOW RIGHT		1

Ref Number	Part Number	Part Description	Context Notes	Quantity
20	AGP06500926	NUT, WHEEL .50-20 ZCC		8
21	AGP06917900	CLAMP, COUSHIONED STEEL REV		2
22	AGP07400122	SCR-TAP .25-20X.50 HWH ZCC		2
23	AGP21544042	CAP, HYDRO RESERVOIR REPLAC.	Component Service Part	1
24	AGP07101302	TIRE, 20 X 10.5-8 4 PLY RADIAL	Component Service Part	1

AGU994161 Transaxle Guards

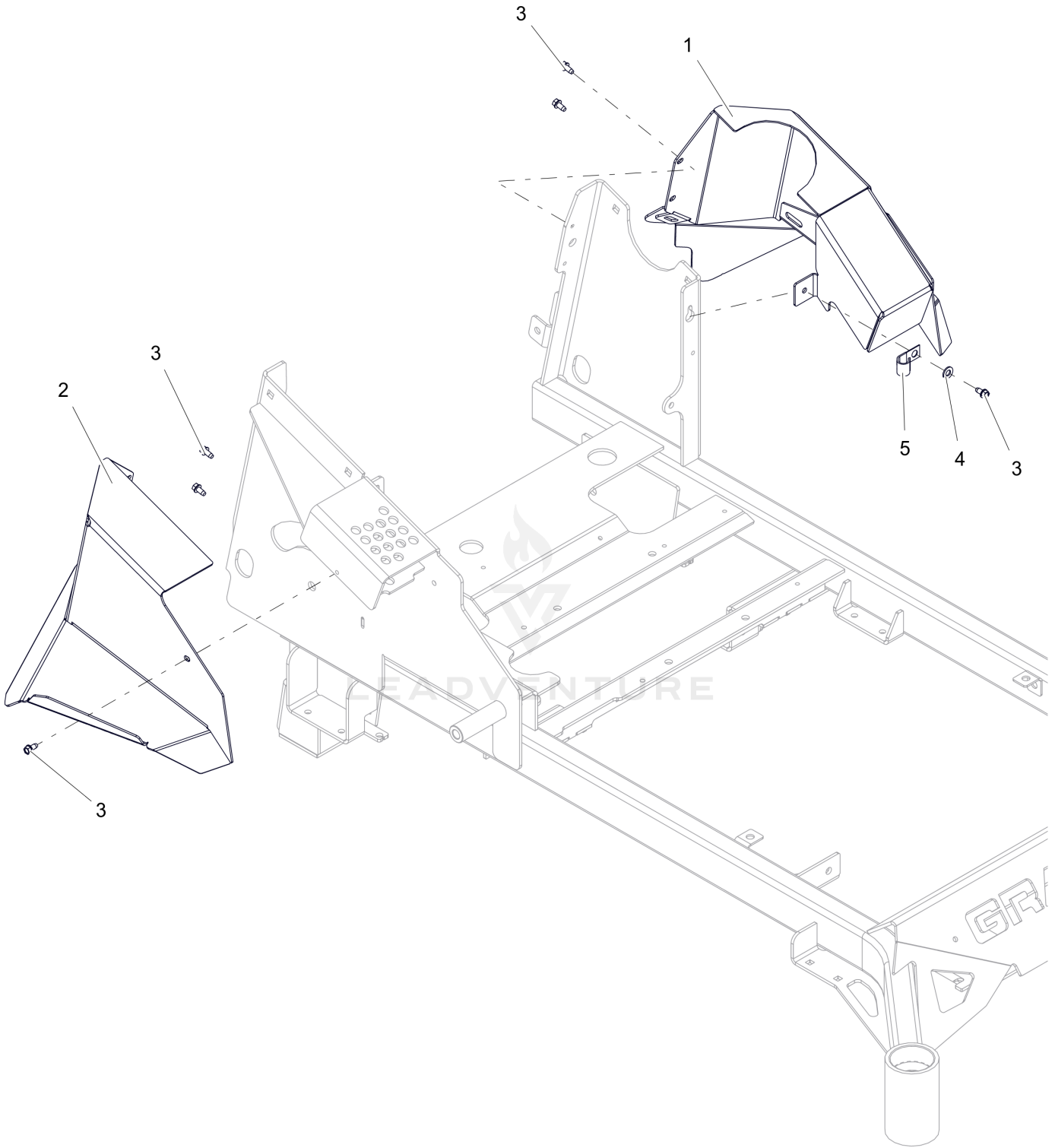


Rendered by LeadVenture, Inc.

AGU994161 Transaxle Guards

Ref Number	Part Number	Part Description	Context Notes	Quantity
1	AGP05198751	BRKT, SKID PLATE		2
2	AGP05276351	BRKT, RH TRANSAXLE GUARD (BLACK)		1
3	AGP05276451	BRKT, LH TRANSAXLE GUARD (BLACK)		1
4	AGP07400122	SCR-TAP .25-20X.50 HWH ZCC		6
5	AGP07400129	SCR,TAP .375-16X.75 HWH TR ZCC		6

AGU994161 Fenders

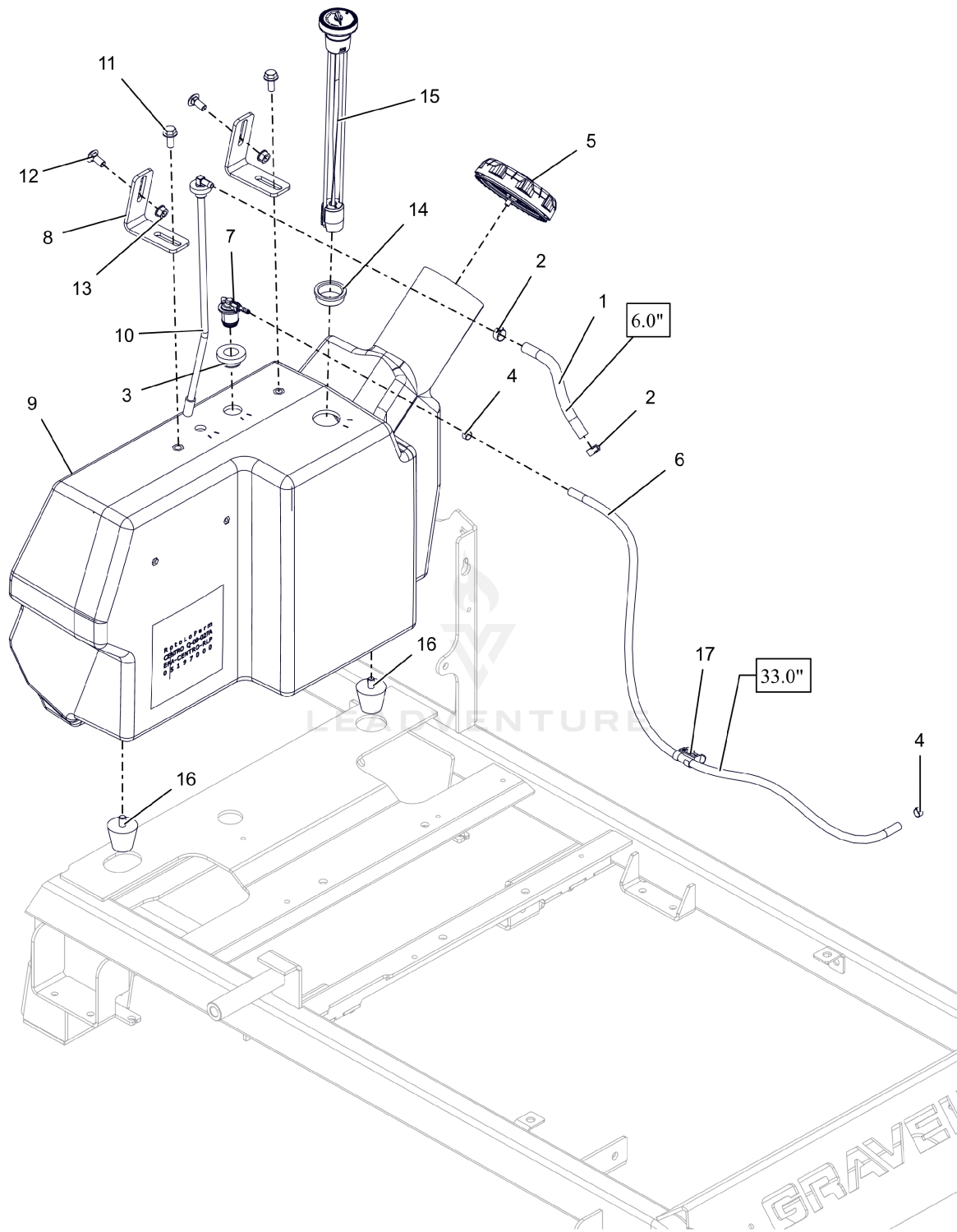


Rendered by LeadVenture, Inc.

AGU994161 Fenders

Ref Number	Part Number	Part Description	Context Notes	Quantity
1	AGP09193151	WLDMT- LH FENDER		1
2	AGP09193251	WLDMT- RH FENDER		1
3	AGP07400122	SCR-TAP .25-20X.50 HWH ZCC		6
4	AGP06401017	WSHR,FLT .344X.688X.065 ZCC		1
5	AGP06916000	J-CLAMP		1

AGU994161 Fuel System

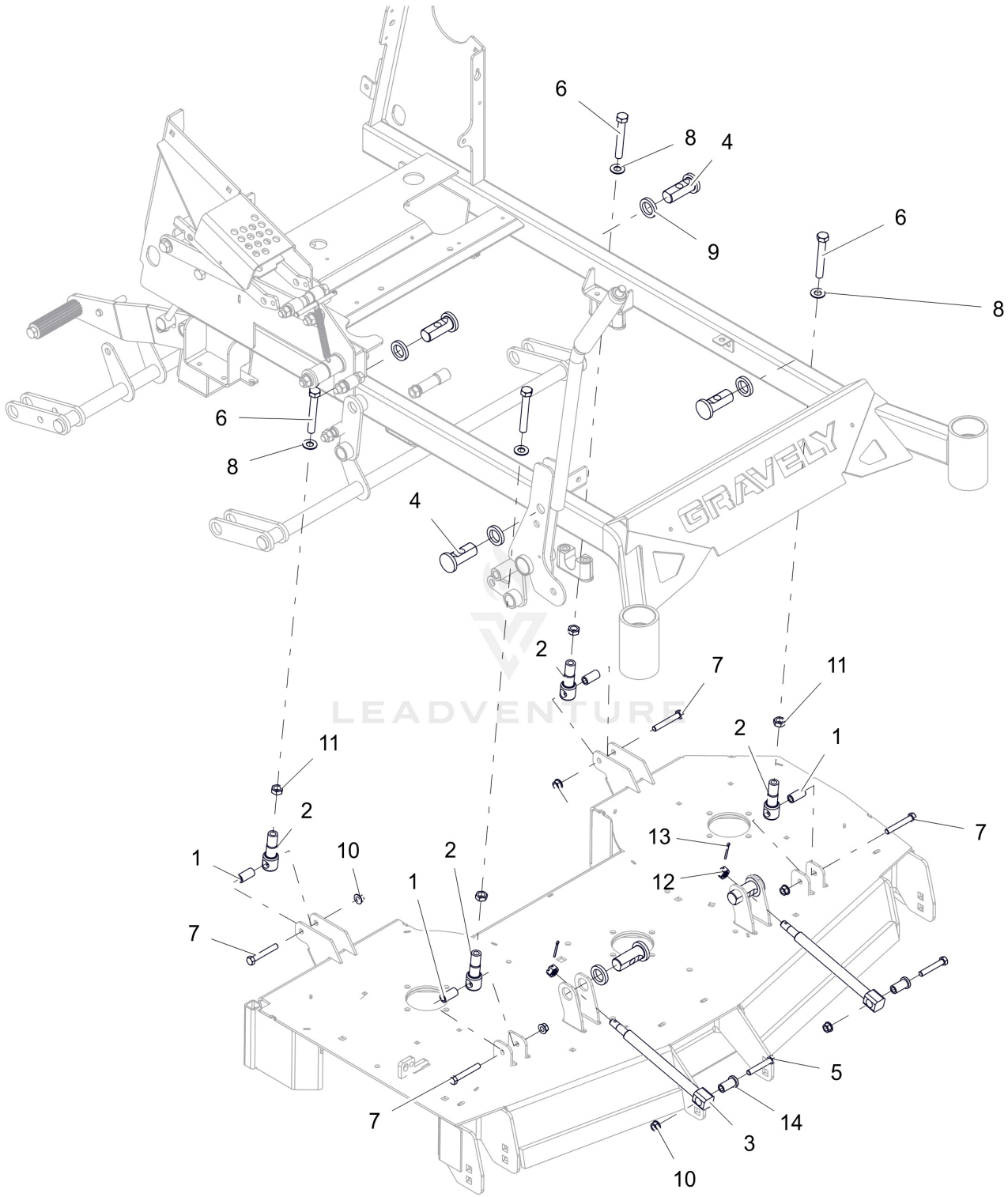


Rendered by LeadVenture, Inc.

AGU994161 Fuel System

Ref Number	Part Number	Part Description	Context Notes	Quantity
1	AGP03278100	1 INCH OF HOSE, .25 LOW-PERM BULK GAS		1
2	AGP03278800	CLAMP, FUEL LINE		2
3	AGP04082700	GROMMET, REMOTE VENT NITRILE		1
4	AGP04097700	CLAMP-HOSE, SPRING .188		2
5	AGP04558000	CAP, FUEL VENTIN AUTOLOCK		1
6	AGP04745900	HOSE, .188 30R7 BULK		1
7	AGP05185600	VALVE, COMBINATION VENT 3/16		1
8	AGP05192553	BRKT, TANK HOLDDOWN		2
9	AGP05197000	ASSY,48-60 PROSTANCE FUEL TANK		1
10	AGP05248300	ASM, PROSTANCE FUEL LINE PICK-UP		1
11	AGP07001820	BLT, SERHFWH 0.312-18X0.75 GR5 ZCC		2
12	AGP06200232	BLT,RHSN .31-18X.75 G5 ZCC		2
13	AGP06500840	NUT,LK-CTR-FLG .31-18 GF ZCC		2
14	AGP07500221	GROMMET, FUEL GAUGE		1
15	AGP07500310	GAUGE, REMOTE FUEL SEALED 12"		1
16	AGP07500428	BUMPER, STUD MOUNTED CONE SHAPED		2
17	AGP07001712	CLIP, T, .38-.50		1

AGU994161 Deck Lift Linkage

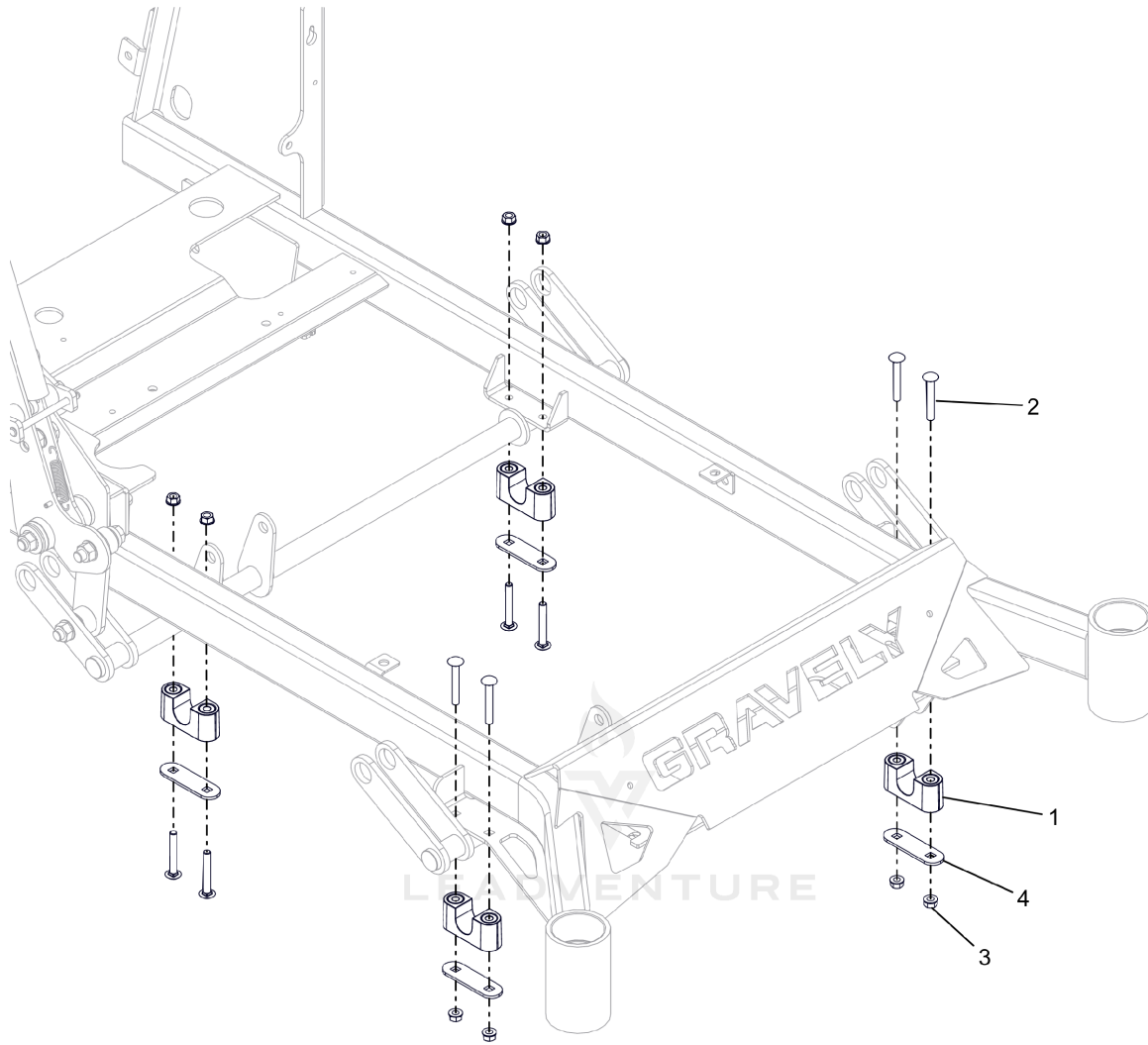


Rendered by LeadVenture, Inc.

AGU994161 Deck Lift Linkage

Ref Number	Part Number	Part Description	Context Notes	Quantity
1	AGP04895200	SPACER, DECK LEVELING		4
2	AGP05081400	LINK, DECK LIFT FORMED		4
3	AGP05126700	DRAG, LINK-HD		2
4	AGP05264200	PIN, DECK LIFT		6
5	AGP05901640	BLT, HEX .38-16X2.25 G5 ZCC		2
6	AGP05901735	BLT, HEX 0.5-13X3.5F GR5 ZCC		4
7	AGP05901811	BLT, HEX .38-16X2.50 G8 ZCC		4
8	AGP06401116	WSHR, FLT .557X1.040X.102 ZCC		4
9	AGP06425600	WSHR-FL-STL 1.0X1.50X.25		6
10	AGP06500901	NUT-LK-CTR-FLG .375-16 GF ZCC		6
11	AGP06500911	NUT-JAM .500-13 G2 ZCC		4
12	AGP06505000	NUT-SL .50-13		2
13	AGP06700212	PIN, CTR.12X1.25EXTPRSQCT ZC120		2
14	AGP09158400	SPCR, DRAG LINK		2

AGU994161 Deck Lift Mounts

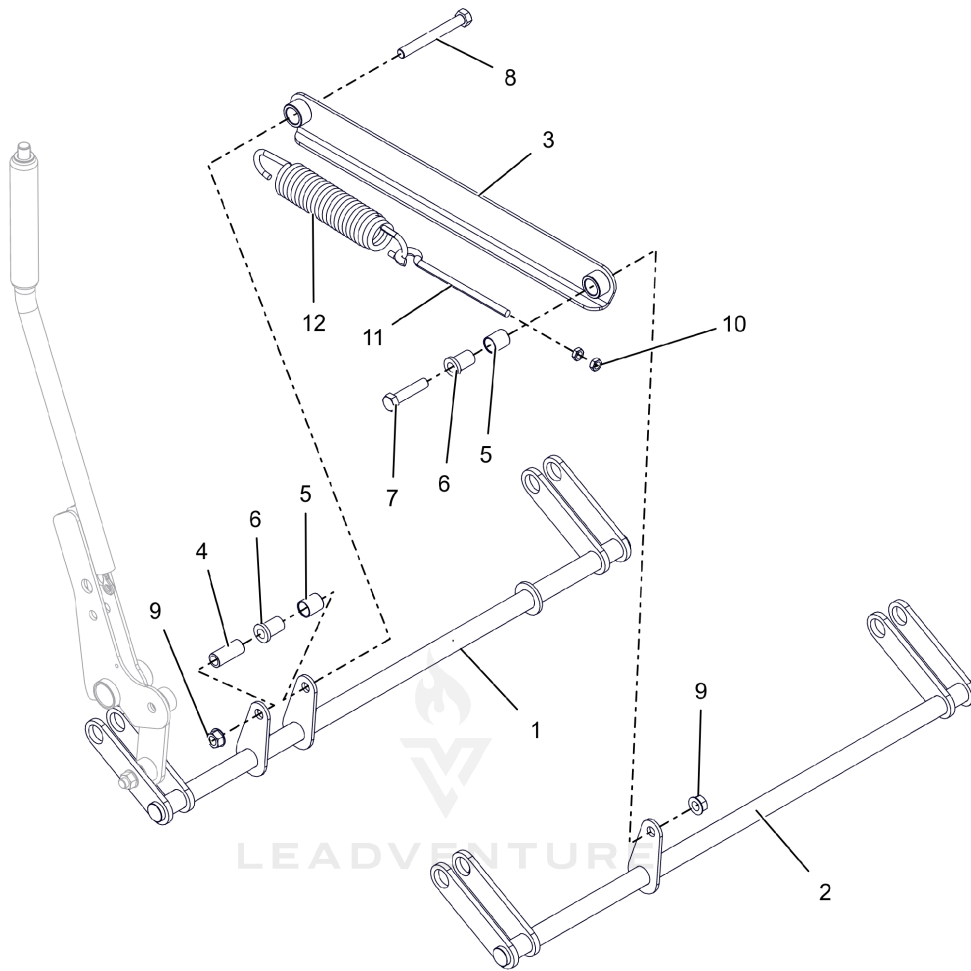


Rendered by LeadVenture, Inc.

AGU994161 Deck Lift Mounts

Ref Number	Part Number	Part Description	Context Notes	Quantity
1	AGP07500414	ASM-BUSHING, DECK LIFT		4
2	AGP06200311	BLT, RHSSN.31-18X2.25 G5 ZCC		8
3	AGP06500840	NUT,LK-CTR-FLG .31-18 GF ZCC		8
4	AGP04766551	PLATE, BEARING SUPPORT		4

AGU994161 Deck Lift

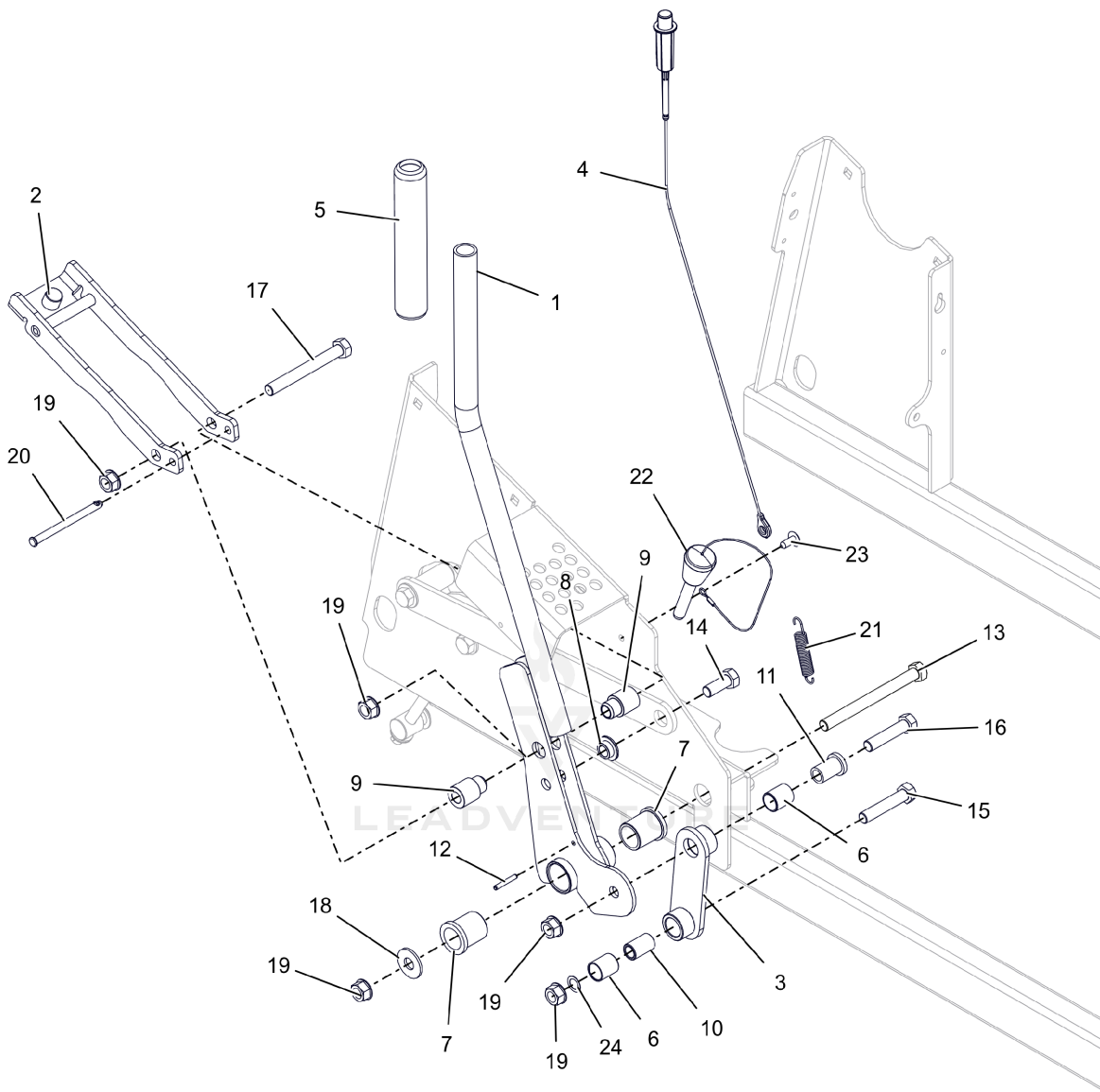


Rendered by LeadVenture, Inc.

AGU994161 Deck Lift

Ref Number	Part Number	Part Description	Context Notes	Quantity
1	AGP05198051	WLDMT, DECK LIFT		1
2	AGP05250051	WLDMT, FRONT DECK LIFT (BLACK)		1
3	AGP05198551	LINK, DECK LIFT		1
4	AGP05264100	BSHG, FLANGE .515 X .750 X 1.544 X 1.000		1
5	AGP05400729	BRG, .750 X .875 X 1.000		2
6	AGP05527200	BSHG-FLG .515X.746X1.290X1.000		2
7	AGP05901835	BLT, HEX .50-13X2.25 G5 ZCC		1
8	AGP05901906	BLT, HEX 0.5-13X4.25 GR5 ZCC		1
9	AGP06500902	NUT-LK-CTR-FLG .500-13 GG ZCC		2
10	AGP06500910	NUT-JAM .375-16 G2 ZCC		2
11	AGP07001604	BOLT, .38-16X6.00 .62 DIA EYE		1
12	AGP08300715	SPRG, EXTENSION - .273X1.853X.10.125		1

AGU994161 Height of Cut



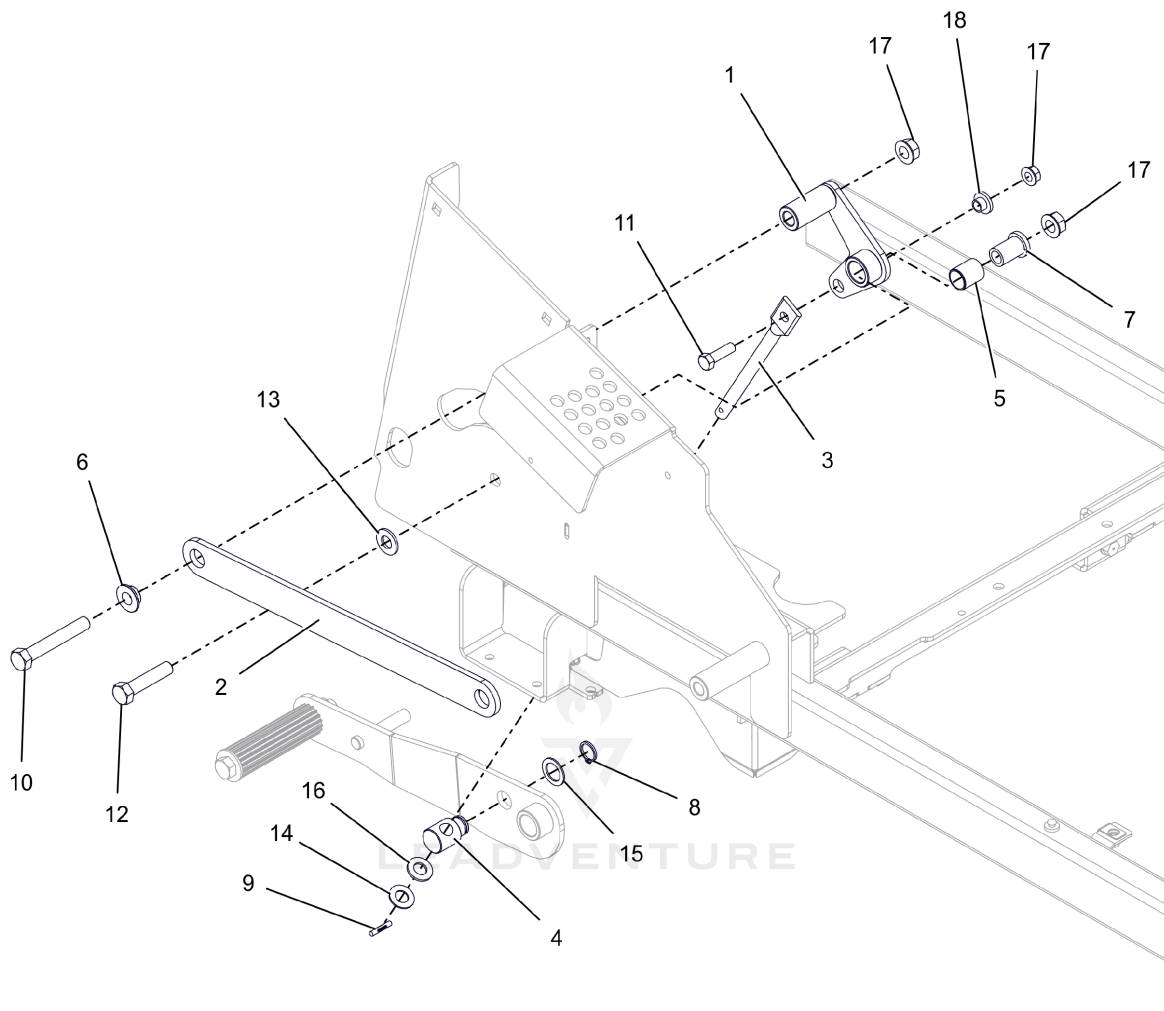
Rendered by LeadVenture, Inc.

AGU994161 Height of Cut

Ref Number	Part Number	Part Description	Context Notes	Quantity
1	AGP05190551	WLDMT, HOC LEVER		1
2	AGP05193951	WLDMT, HOC BRACKET		1
3	AGP05198851	LINK, HOC LEVER		1
4	AGP06900718	CABLE, HOC PUSH CONTROL		1
5	AGP05242500	GRIP, DECK LIFT		1
6	AGP05400729	BRG, .750 X .875 X 1.000		2
7	AGP05500934	BSHG-FLG 1.00X1.25X1.50X1.50		2
8	AGP05501135	BSHG, FLG .515X.750X.360X1.12		1
9	AGP05501333	BSHG,FLG		2
10	AGP05501338	SPCR, SLV .532 X .750 X 1.150		1
11	AGP05527200	BSHG-FLG .515X.746X1.290X1.000		1
12	AGP05800300	PIN-ROLL .188X1.25		1
13	AGP05901632	BLT,HEX .50-13X5.50 G5 ZCC		1
14	AGP05901637	BLT,HEX .50-13X1.25 G5 ZCC		1
15	AGP05901712	BLT, HEX .50-13X2.50 G5 ZCC		1
16	AGP05901835	BLT, HEX .50-13X2.25 G5 ZCC		1
17	AGP05901906	BLT, HEX 0.5-13X4.25 GR5 ZCC		1
18	AGP06401012	WSHR,FLT .563X1.375X.109 ZCC		1
19	AGP06500902	NUT-LK-CTR-FLG .500-13 GG ZCC		5
20	AGP06800204	PIN, SLIC- .3125X4.015X3.625 -ZCC		1
21	AGP08300516	SPRING,EXT,.061X.50X3.0		1
22	AGP06800203	PIN, MAGNETIC .50X2.50		1

Ref Number	Part Number	Part Description	Context Notes	Quantity
23	AGPP80-332-A	XMAS TREE FASTNER-BLACK		1
24	AGP06400015	WASHER, .500X.750X.020 THRUST		1

AGU994161 Deck Lift Foot Assist

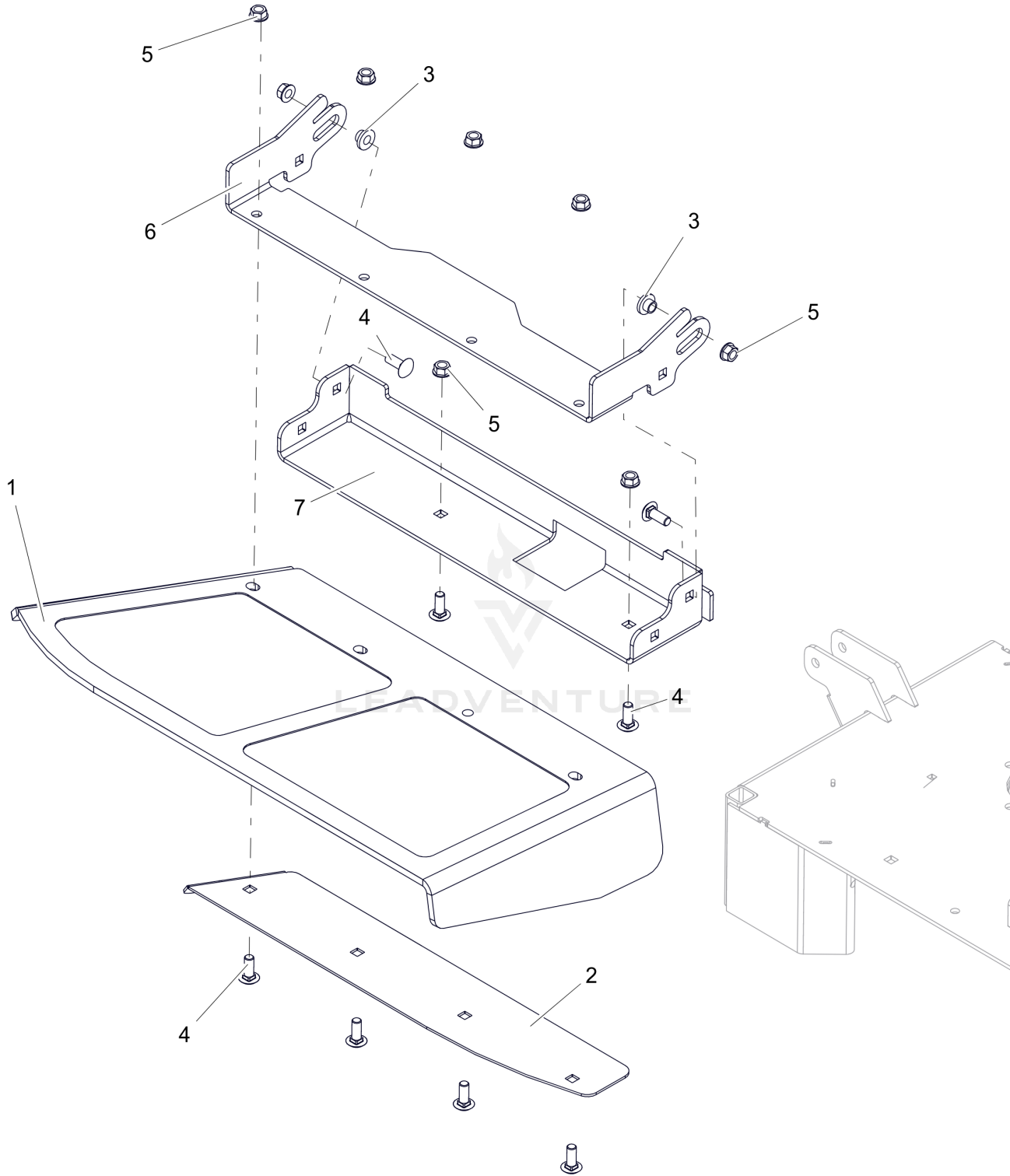


Rendered by LeadVenture, Inc.

AGU994161 Deck Lift Foot Assist

Ref Number	Part Number	Part Description	Context Notes	Quantity
1	AGP05199651	WLDMT, PIVOT BRKT		1
2	AGP05199251	LINK,DECK LIFT FOOT ASSIST		1
3	AGP05199300	LINK, HOC FOOT		1
4	AGP05199400	TRUNNION,DECK LIFT FOOT ASSIST		1
5	AGP05435900	BRG, .750 X .875 X 1.000		1
6	AGP05501135	BSHG, FLG .515X.750X.360X1.12		1
7	AGP05527200	BSHG-FLG .515X.746X1.290X1.000		1
8	AGP05714600	RG-RTNG-EXT .689X.078		1
9	AGP05807200	PIN-GRV .188X1.00 TP E		1
10	AGP05901634	BLT,HEX .50-13X3.25 G5 ZCC		1
11	AGP05901724	BLT, HEX .38-16X1.25 G5 ZCC		1
12	AGP05901835	BLT, HEX .50-13X2.25 G5 ZCC		1
13	AGP06401015	WSHR,FLT .531X1.062X.095 ZCC		1
14	AGP06401115	WSHR, FLT .531X1.00X.063 ZCC		1
15	AGP06401119	WSHR, FLT .754X1.125X.062 ZCC		1
16	AGP06401209	WSHR, RUBBER .332X1.000X.094		1
17	AGP06500908	NUT-JAM .250-20 G2 ZCC		3
18	AGP05500435	BSHG-FLG .385X.500X.875X.406		1

AGU994161 Discharge Chute

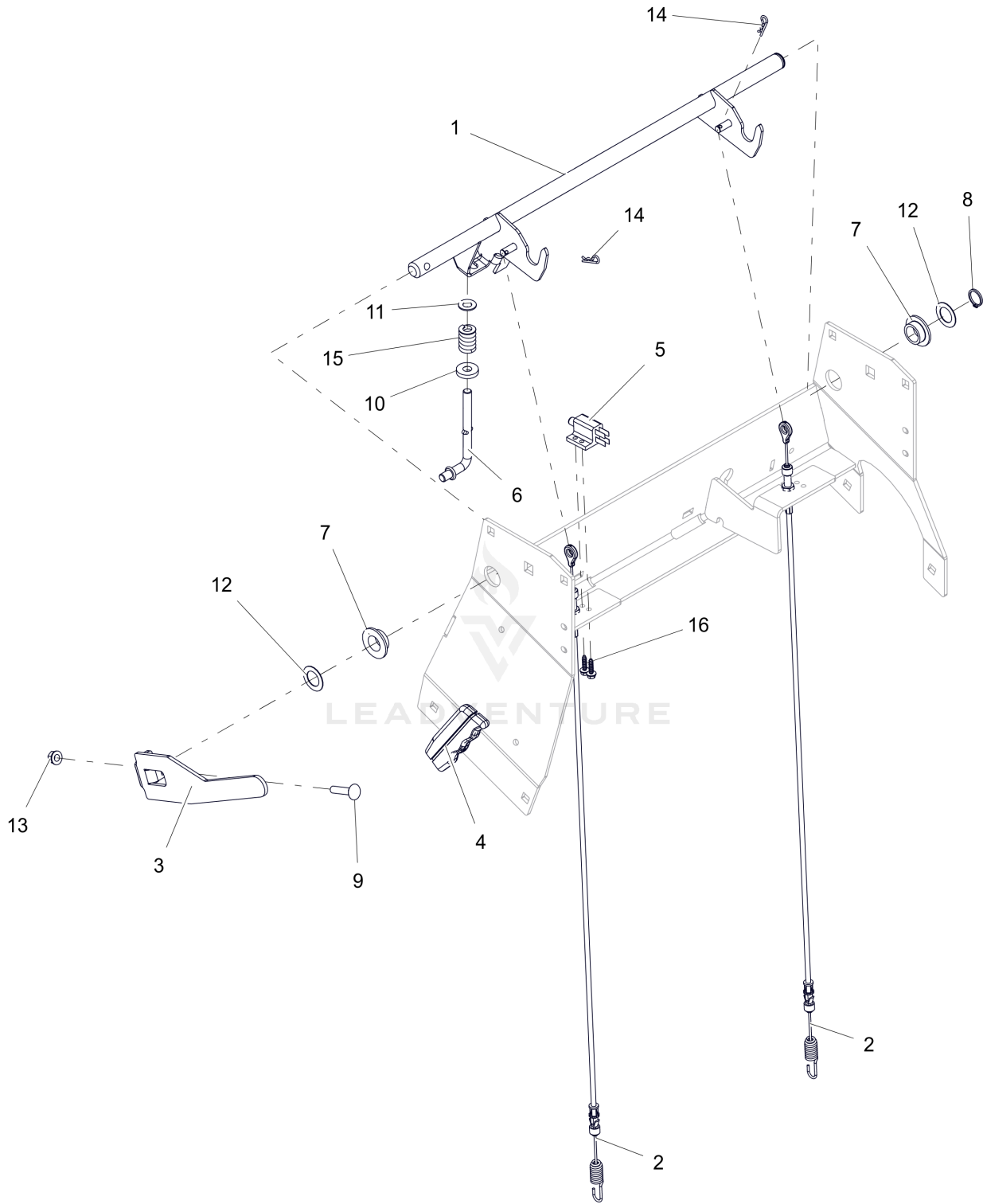


Rendered by LeadVenture, Inc.

AGU994161 Discharge Chute

Ref Number	Part Number	Part Description	Context Notes	Quantity
1	AGP04880900	CHUTE, 72" FORMED RUBBER DISCH		1
2	AGP04976153	72" DISCH CHUTE CLAMP PLT - RED		1
3	AGP05500435	BSHG-FLG .385X.500X.875X.406		2
4	AGP06200235	BLT,RHSSN .38-16X1.00 G5 ZCC		8
5	AGP06500901	NUT-LK-CTR-FLG .375-16 GF ZCC		8
6	AGP09374253	BRKT, CHUTE MTG (RED)		1
7	AGP59229900	BASE, DISCHARGE CHUTE MTG (RED) W/ SAFETY DECALS		1

AGU994161 Parking Brake

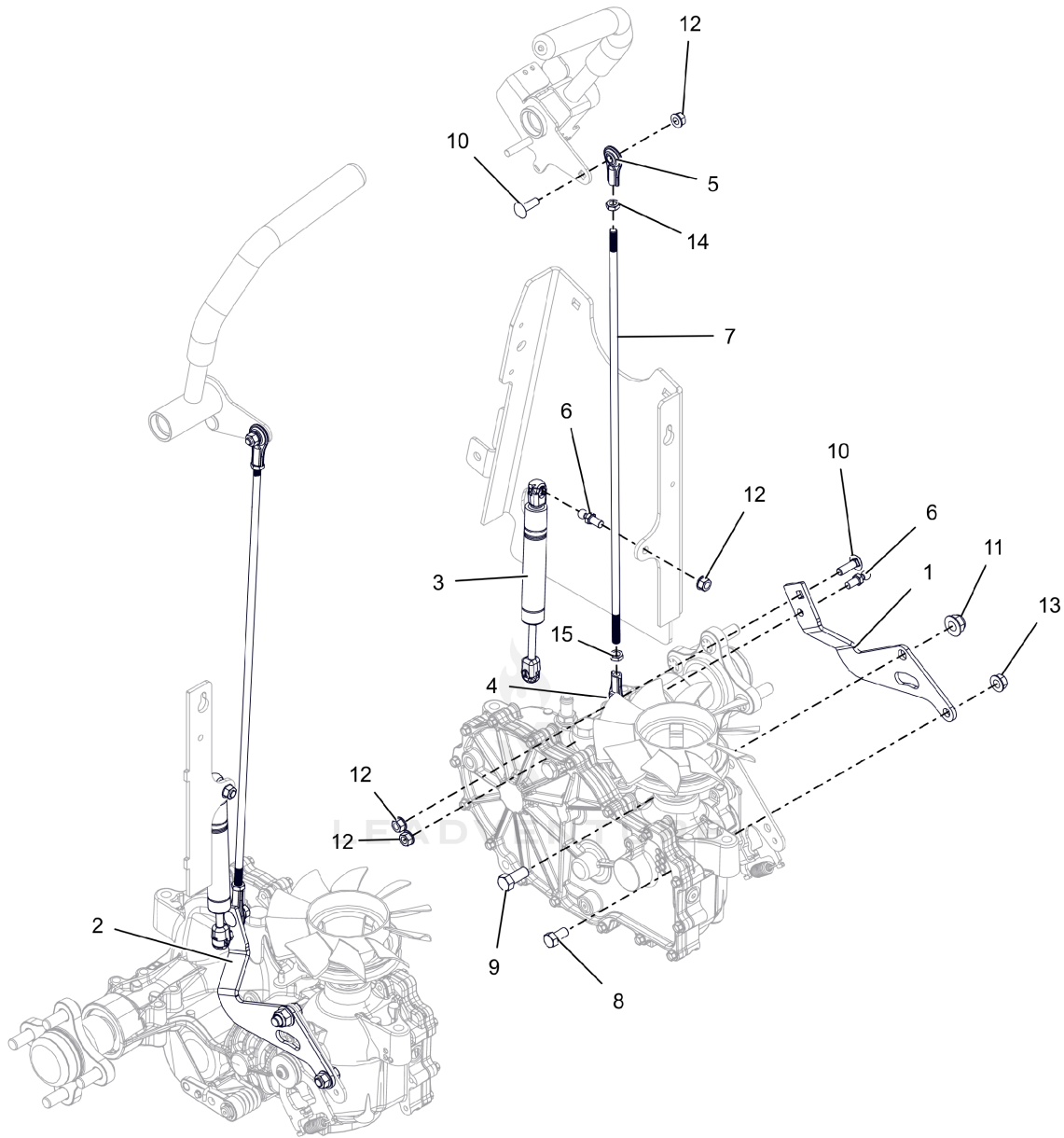


Rendered by LeadVenture, Inc.

AGU994161 Parking Brake

Ref Number	Part Number	Part Description	Context Notes	Quantity
1	AGP05190451	WLDMT, PARKING BRAKE SHAFT (BLACK)		1
2	AGP06900719	CABLE, BREAK - PROSTANCE		2
3	AGP05259951	HANDLE, PARK BRAKE (BLACK)		1
4	AGP05097200	GRIP, PARKING		1
5	AGP03606600	SWITCH- DOUBLE POLE N.O./N.O.		1
6	AGP05166900	LINK, OVER CENTER BRAKE		1
7	AGP05525200	BSHG-FLG .762X1.48X.44 NYL		2
8	AGP05714600	RG-RTNG-EXT .689X.078		1
9	AGP06200233	BLT,RHSN .31-18X1.50 G5 ZCC		1
10	AGP06401108	WSHR, FLT .406X1.00X.188 ZCC		1
11	AGP06401129	WSHR-FL-STL 0.406X0.812X0.055 HRD		1
12	AGP06401136	WSHR-FL-STL 0.76X1.225X0.032 ZCC		2
13	AGP06500840	NUT,LK-CTR-FLG .31-18 GF ZCC		1
14	AGP06700222	PIN, HAIR #213 .08X1.19 ZCC		2
15	AGP08320900	SG-COMP .187X.56X1.62		1
16	AGP06100232	SCR, PLASTITE-HWH 0.2 X 0.75 ZC120		2

AGU994161 Drive Controls (Continued)

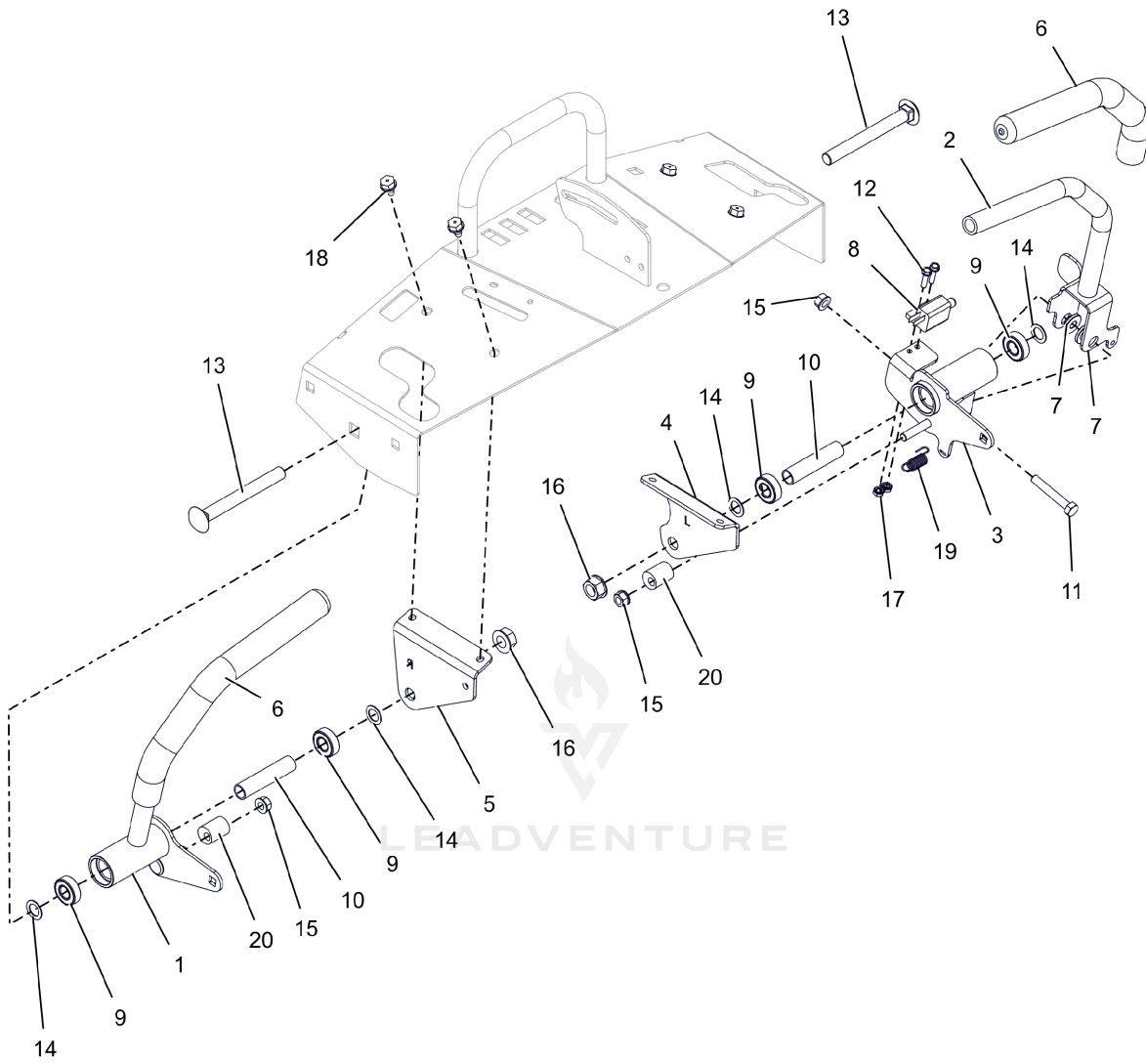


Rendered by LeadVenture, Inc.

AGU994161 Drive Controls (Continued)

Ref Number	Part Number	Part Description	Context Notes	Quantity
1	AGP05193151	ARM, LH DRIVE CONTROL		1
2	AGP05193251	ARM, RH DRIVE CONTROL		1
3	AGP03914100	DAMPER, CONTROL		2
4	AGP03787100	ALIGNABALL, 5/16 RH THREAD		2
5	AGP03787200	ALIGNABALL, 5/16 LH THREAD		2
6	AGP03652200	STUD- BALL		4
7	AGP05194700	ROD, STEERING		2
8	AGP05901702	BLT,HEX .38-16X.75 G5 ZCC		2
9	AGP05901913	BLT, HEX 0.4375-14X1 GR5 ZCC		2
10	AGP06200237	BLT,RHSSN .31-18X1.00 G5 ZCC		4
11	AGP06500811	NUT,NYL-FLG .44-14 GF ZCC		2
12	AGP06500840	NUT,LK-CTR-FLG .31-18 GF ZCC		8
13	AGP06500901	NUT-LK-CTR-FLG .375-16 GF ZCC		2
14	AGP06501002	NUT, JAM-LH .312-24 ZCC		2
15	AGP06500923	NUT-JAM .312-24 ZCC		2

AGU994161 Drive Controls



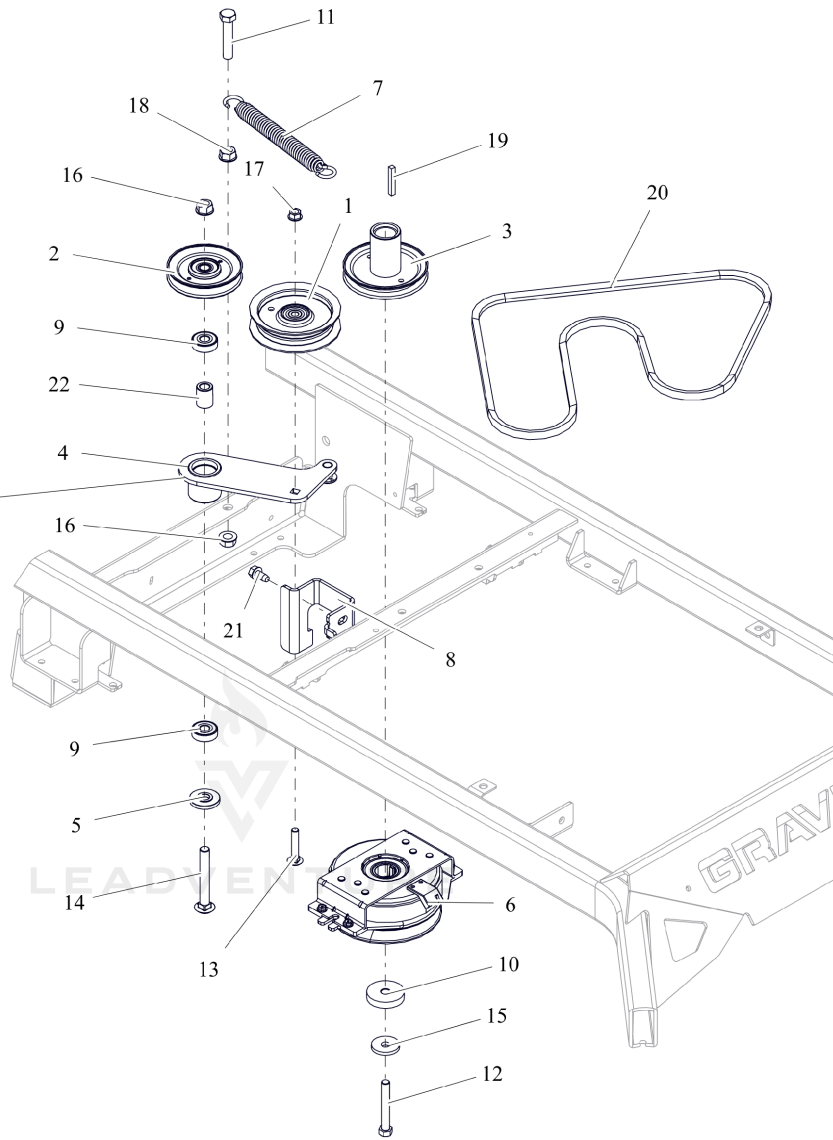
Rendered by LeadVenture, Inc.

AGU994161 Drive Controls

Ref Number	Part Number	Part Description	Context Notes	Quantity
1	AGP05190751	WLDMT, RH DRIVE CONTROL (BLACK)		1
2	AGP05190851	WLDMT, LH HANDLE ASM (BLACK)		1
3	AGP05190951	WLDMT, LH DRIVE CONTROL (BLACK)		1
4	AGP05194251	BRKT, LH DRIVE CONTROL MTG		1
5	AGP05194351	BRKT, RH DRIVE CONTROL MTG		1
6	AGP00675200	GRIP, HANDLEBAR		2
7	AGP01305900	BSHG, FLG .325X.499X.26X.88		2
8	AGP03657100	SWITCH- SINGLE POLE N.O.		1
9	AGP05400007	BEARING, .500X1.125X.375		4
10	AGP05501332	SPCR, .510 X .625 X 2.75		2
11	AGP05901805	BLT, HEX .31-18X2.00 G5 ZCC		1
12	AGP05901837	BLT, HWH #10-24X.75 ZCC		2
13	AGP06200240	BLT,RHSN .50-13X4.50 G5 ZCC		2
14	AGP06401133	WSHR-FL-STL 0.52X0.81X0.033 ZCC		4
15	AGP06500840	NUT,LK-CTR-FLG .31-18 GF ZCC		3
16	AGP06500902	NUT-LK-CTR-FLG .500-13 GG ZCC		2
17	AGP06500934	NUT-KEPS 10-24		2
18	AGP07400124	SCR,TAP .312-18X.50 HWH TR ZCC		4
19	AGP08300036	SPRING, EXT. .043X.438X1.64		1
20	AGP09235700	ECCENTRIC		2

AGU994161 Drive Belt & Clutch

59405500
PRO STANCE GROUND
DRIVE IDLER
SERVICE ASSEMBLY
INCLUDES:
(1) IDLER ARM
(1) SPACER
(2) BEARINGS



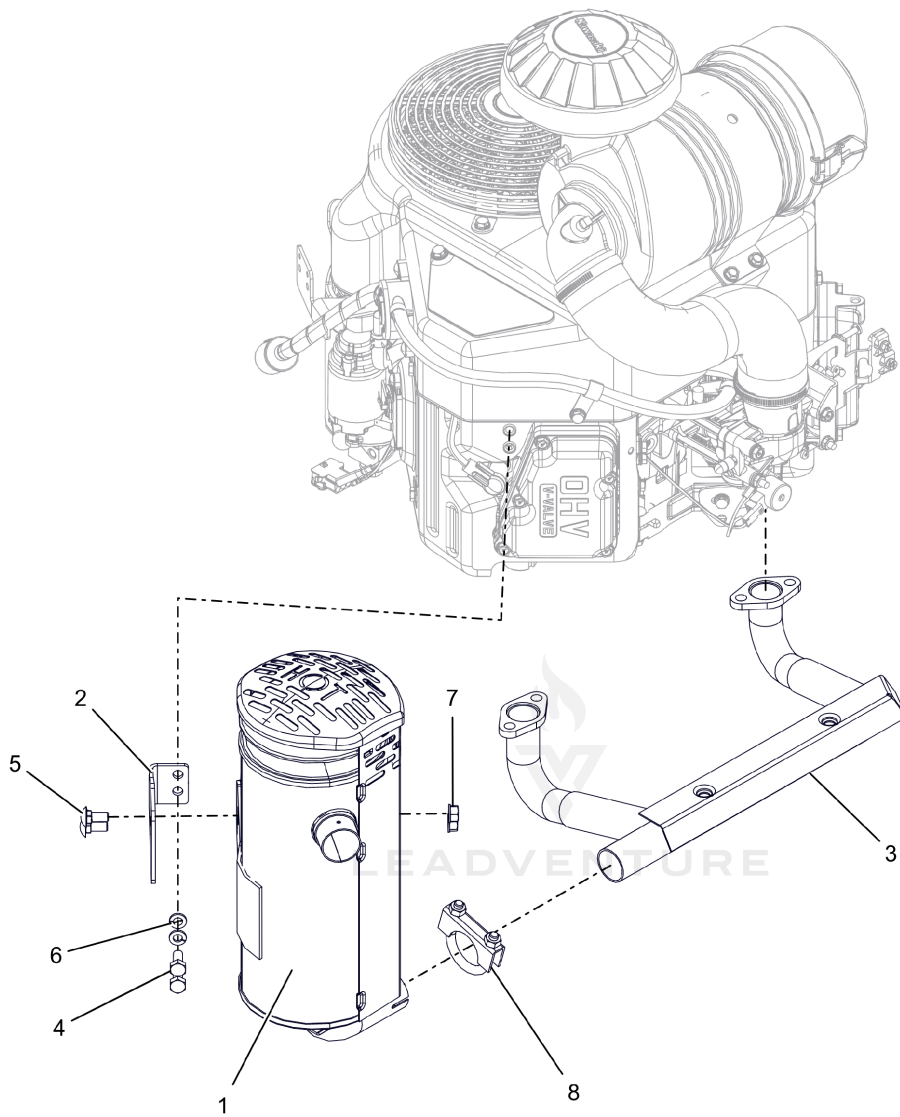
Rendered by LeadVenture, Inc.

AGU994161 Drive Belt & Clutch

Ref Number	Part Number	Part Description	Context Notes	Quantity
1	AGP07350100	IDLER, FLAT - 4.06" X .75"		1
2	AGP07344400	SHV, .50"ID X 4.00"OD V-IDLER		1
3	AGP07352551	SHEAVE- ENGINE 4.50 X 1.127 ID		1
4	AGP05195100	WELDMT, IDLER ARM		1
5	AGP04714600	SPACER, IDLER ARM		1
6	AGP05143700	CLUTCH, OGURA GT2.75-BBO1		1
7	AGP08300728	SPRING- EXTENSION		1
8	AGP05254351	BRKT, CLUTCH STOP (BLACK)		1
9	AGP05408000	BRG-BALL .500X1.38X.437		2
10	AGP05501222	SPACER, .450X2.00X.396		1
11	AGP05901712	BLT, HEX .50-13X2.50 G5 ZCC		1
12	AGP05901819	BLT, HEX 0.4375-20X3 G8 ZCC NT		1
13	AGP06200314	BLT, RHSN .38-16X2.00 G5 ZCC		1
14	AGP06200332	BTL,RHSN .500-13 X 3.75 G5 ZCC		1
15	AGP06400936	WASHER, 7/16" SPRING DISK		1
16	AGP06500902	NUT-LK-CTR-FLG .500-13 GG ZCC		2
17	AGP06500901	NUT-LK-CTR-FLG .375-16 GF ZCC		1
18	AGP06500928	NUT, SPNLK-FLG .50-13 G5 ZCC		1
19	AGP06601800	KEY-STR .25X1.75X.25		1

Ref Number	Part Number	Part Description	Context Notes	Quantity
20	AGP07200727	V-BELT		1
21	AGP07400129	SCR,TAP .375-16X.75 HWH TR ZCC		1
22	AGP09357700	SPACER .510 X .75 X 1.1485		1
23	AGP59405500	GROUND DRIVE IDLER ASSEMBLY	Component Service Assembly	1

AGU994161 Muffler

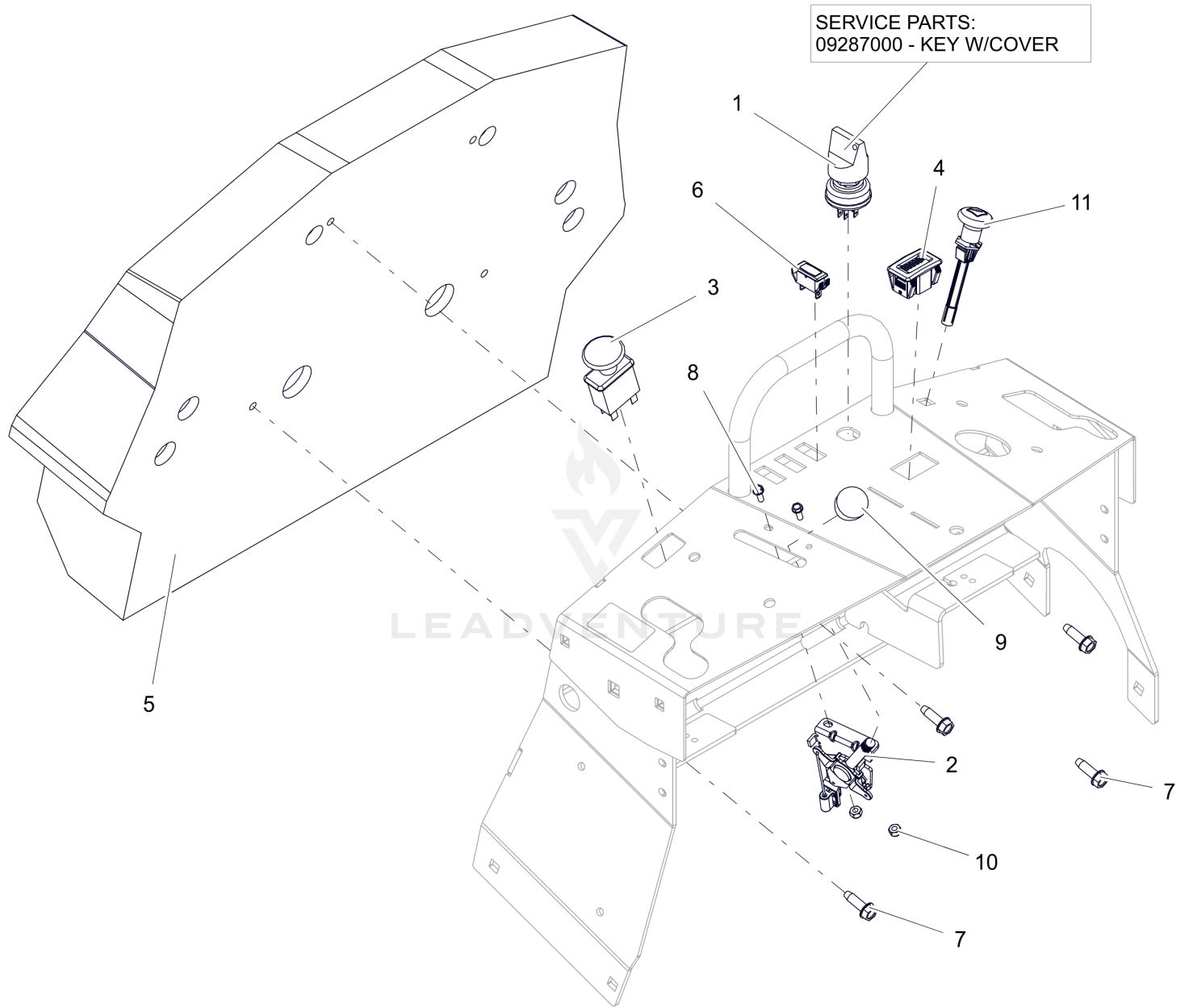


Rendered by LeadVenture, Inc.

AGU994161 Muffler

Ref Number	Part Number	Part Description	Context Notes	Quantity
1	AGP05192200	MUFFLER, PROSTANCE		1
2	AGP05192851	BRKT, MUFFLER MOUNT - FT730		1
3	AGP05258800	MANIFOLD, PROSTANCE EXHAUST		1
4	AGP05901628	BLT, HEX M8-1.25X20 G8.8 ZCC		2
5	AGP06200232	BLT,RHSN .31-18X.75 G5 ZCC		2
6	AGP06300119	WSHR,LK-REG .312X.078 ZCC		2
7	AGP06500840	NUT,LK-CTR-FLG .31-18 GF ZCC		2
8	AGP06900722	CLAMP, MUFFLER - 1.438		1

AGU994161 Operator Pad & Switches

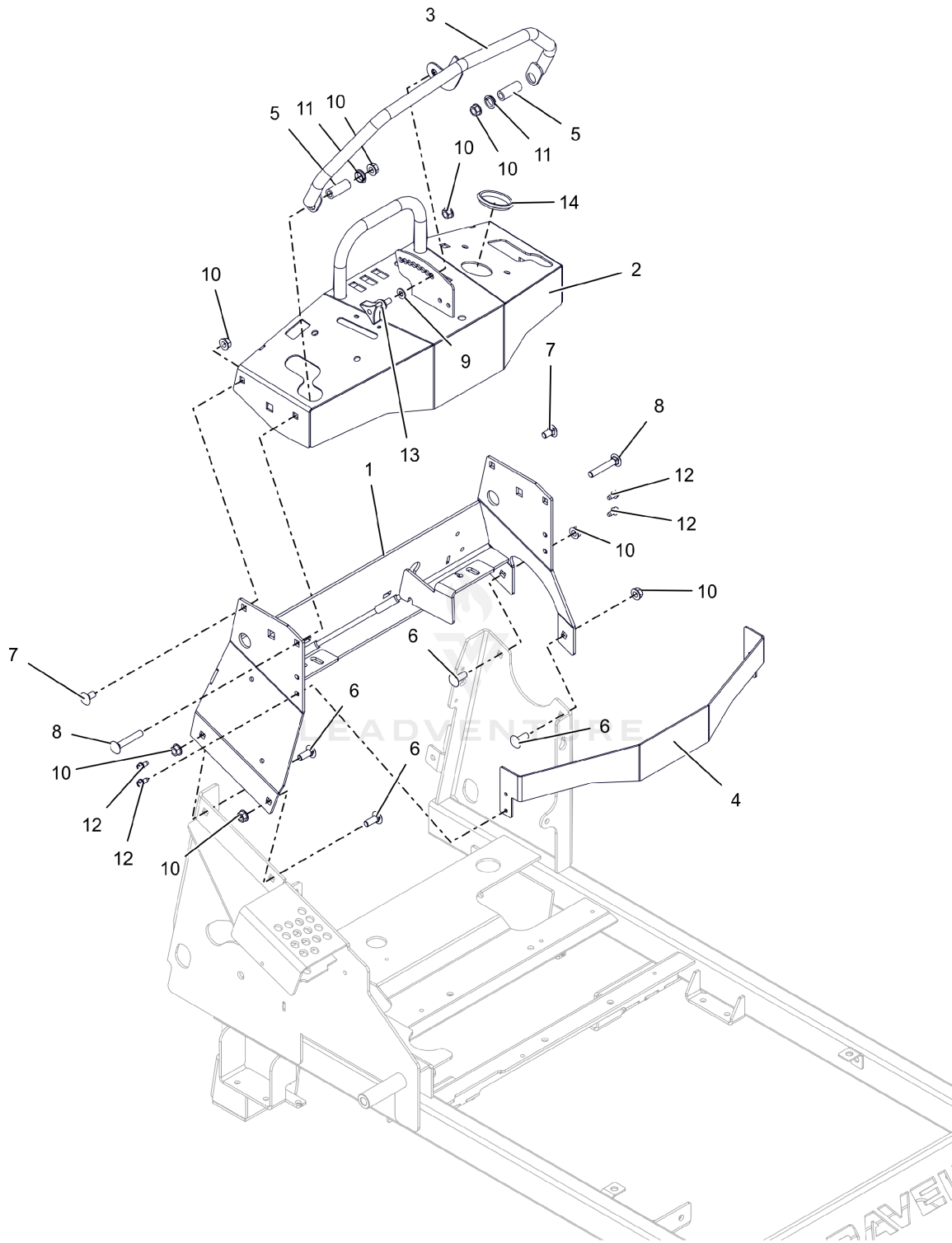


Rendered by LeadVenture, Inc.

AGU994161 Operator Pad & Switches

Ref Number	Part Number	Part Description	Context Notes	Quantity
1	AGP04331600	SWITCH, IGNITION		1
2	AGP06900717	CABLE, PROSTANCE - CONTROL 43"		1
3	AGP01545600	SWITCH, CLUTCH		1
4	AGP09497400	METER, HOUR - NO PRINT		1
5	AGP05259100	PAD, OPERATOR - PROSTANCE		1
6	AGP05128700	LIGHT, INDICATOR (RED)		1
7	AGP07400202	SCR-TAP .312-18X1.00 HWH ZCC		4
8	AGP05901825	BLT, HWH #10-24X.50 ZCC		2
9	AGP07500132	KNOB-CONTROL-BLACK .38-16X.50		1
10	AGP06500915	NUT-LK-NYL #10-24 G2 ZCC		2
11	AGP06900408	CABLE, CHOKE (SNAP IN)		1
12	AGP09287000	KEY, W/ SHIELD	Service Component Part	1

AGU994161 Tower & Dash



Rendered by LeadVenture, Inc.

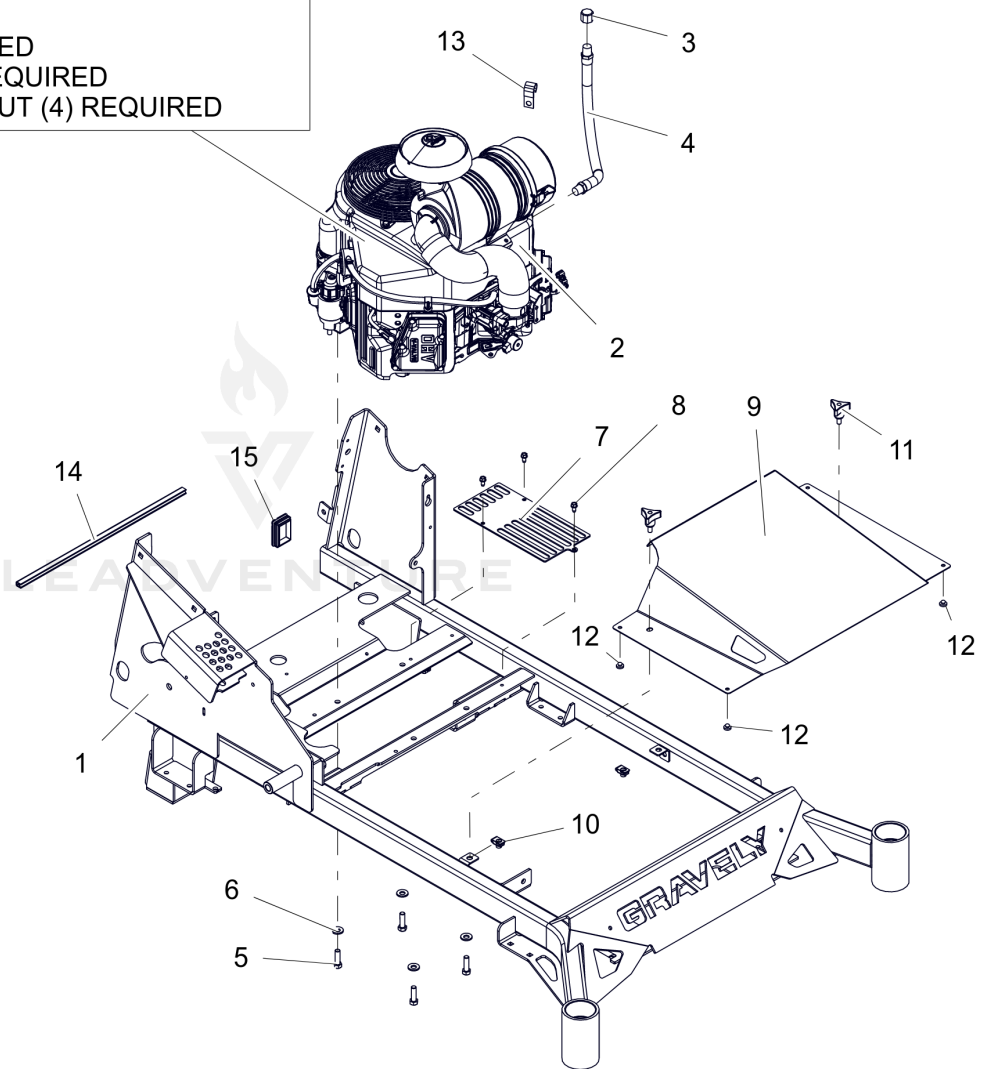
AGU994161 Tower & Dash

Ref Number	Part Number	Part Description	Context Notes	Quantity
1	AGP59404900	KIT,PROSTANCE TOWER WITH DECAL		1
2	AGP59404700	WLDMT, DASH (RED)		1
3	AGP05190651	WLDMT, CRUISE BAR		1
4	AGP05259251	PLATE, DASH - ACCENT (BLACK)		1
5	AGP03954800	SPACER, .375 X .625 X 1.54		2
6	AGP06200235	BLT,RHSSN .38-16X1.00 G5 ZCC		4
7	AGP06200312	BLT, RHSN .38-16X.750 G5 ZCC		2
8	AGP06200301	BLT,RHSN .38-16X2.25 G5 ZCC		2
9	AGP06401017	WSHR,FLT .344X.688X.065 ZCC		1
10	AGP06500901	NUT-LK-CTR-FLG .375-16 GF ZCC		8
11	AGP05500021	BUSHING, POLYLINER-.63 SNAPIN		2
12	AGP07400122	SCR-TAP .25-20X.50 HWH ZCC		4
13	AGP07500008	KNOB,WING STUD 5/16-18 X .75		1
14	AGP07500433	GROMMET, RUBBER 1.89 ID		1

AGU994161 Engine & Frame

SERVICE PARTS:

- 04088900 - AIR CLEANER RAIN CAP
- 06900426 - CAP HOSE CLAMP
- 03286700 - STARTER SOLENOID LEAD
- 21548800 - AIR FILTER OUTER PRIMARY ELEMENT
- 21548700 - AIR FILTER INNER SAFETY ELEMENT
- 21535800 - OIL FILTER
- 21548101 - FUEL FILTER
- 21536100 - SPARK PLUG (2) REQUIRED
- 00191627 - MUFFLER GASKET (2) REQUIRED
- 06500919 - M8 TOP LOCK FLANGE NUT (4) REQUIRED



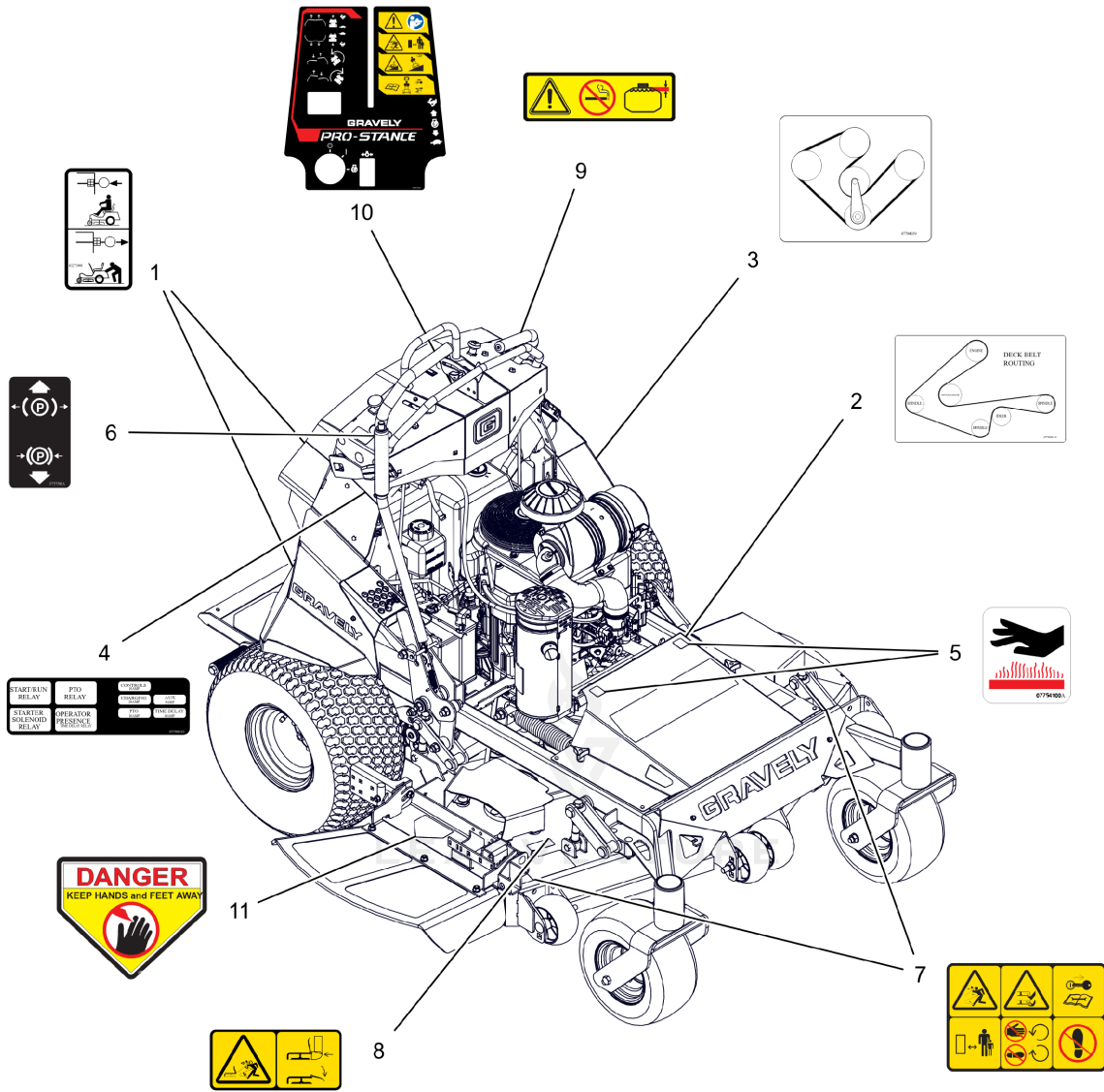
Rendered by LeadVenture, Inc.

AGU994161 Engine & Frame

Ref Number	Part Number	Part Description	Context Notes	Quantity
1	AGP09657553	WLDMT, PROSTANCE MAIN FRAME (RED)		1
2	AGP08200722	ENGINE, KAWASAKI FX730		1
3	AGP03873200	PIPE CAP 3/8 NPT FEMALE		1
4	AGP04271700	DRAIN, M20 OIL		1
5	AGP05901808	BLT, HEX .38-16X1.25 G5 ZCC NT		4
6	AGP06400927	WASHER, 3/8" SPRING DISC		4
7	AGP05254153	GUARD, TRANSAXLE FAN (RED)		1
8	AGP07400122	SCR-TAP .25-20X.50 HWH ZCC		3
9	AGP05192353	COVER, BELT		1
10	AGP07000829	NUT-CLIP RETAINER 5/16-18X.56		2
11	AGP07500008	KNOB,WING STUD 5/16-18 X .75		2
12	AGP07503100	BUMPER GROMMET		4
13	AGP06916000	J-CLAMP		1
14	AGP00918200	STRIP, COWL		1
15	AGP07500432	PLUG, RECT 1.575 x 2.362		1
16	AGP04088900	CAP, KAW 11065-7025	Component Service Part	1
17	AGP06900426	CLAMP, HOSE #36 SS 1.813-2.75	Component Service Part	1
18	AGP03286700	LEAD - STARTER SOLENOID	Component Service Part	1
19	AGP21548800	FILTER, OUTER	Component Service Part	1
20	AGP21548700	FILTER, INNER - KAW	Component Service Part	1
21	AGP21535800	FILTER,OIL - KAW	Component Service Part	1
22	AGP21548101	FUEL FILTER-KAWASAKI FR	Component Service Part	1

Ref Number	Part Number	Part Description	Context Notes	Quantity
23	AGP21536100	PLUG, SPARK	Component Service Part	2
24	AGP00191627	GASKET, MUFFLER S/O	Component Service Part	2
25	AGP06500919	NUT-LK-TOP-FLG M8 ZCC	Component Service Part	4

AGU994161 Decals - Safety

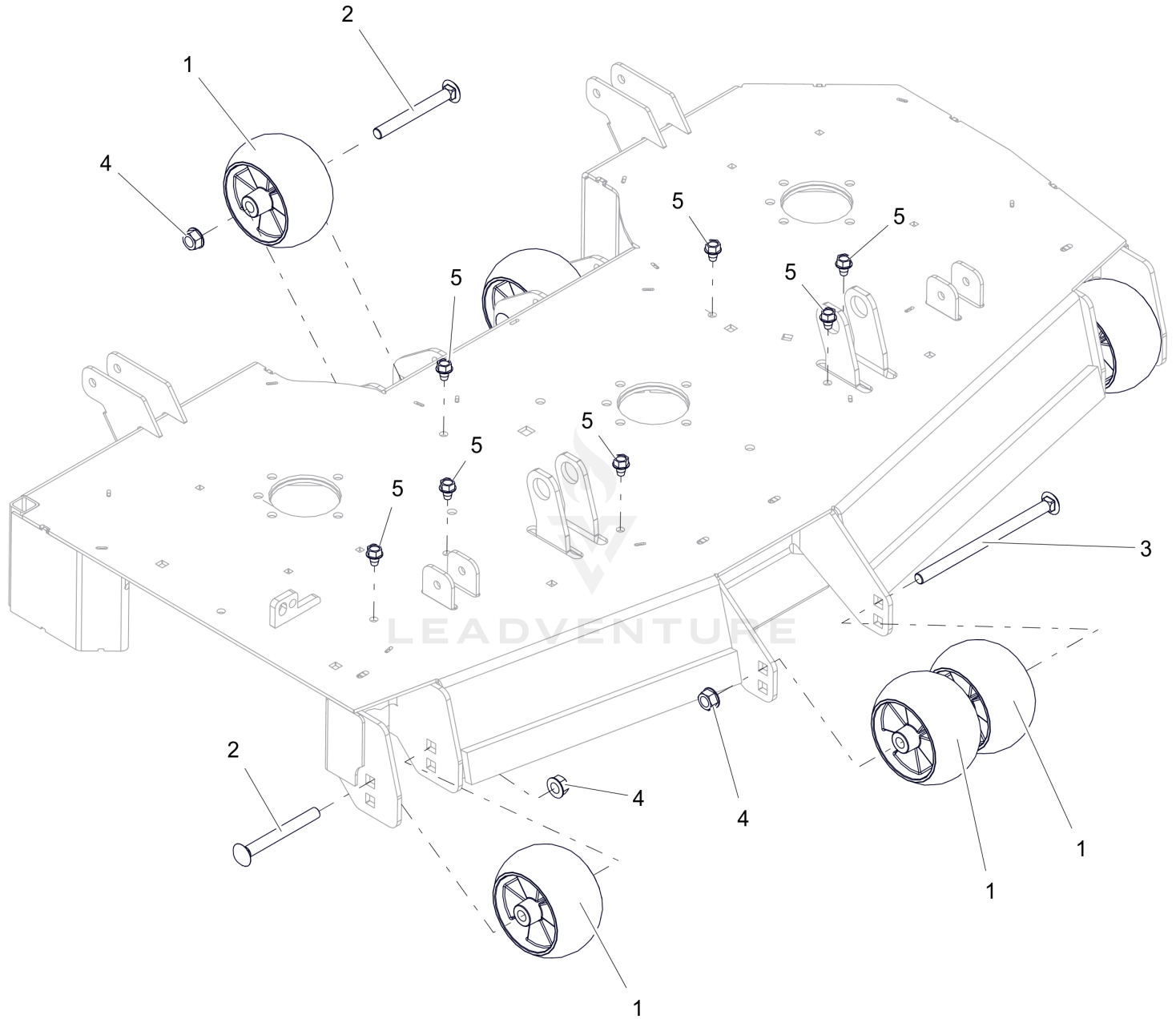


Rendered by LeadVenture, Inc.

AGU994161 Decals - Safety

Ref Number	Part Number	Part Description	Context Notes	Quantity
1	AGP03271900	DECAL, TRANSMISSION DISCONNECT		2
2	AGP07700010	DECAL, BELT ROUTING 48/52		1
3	AGP07700039	DECAL, PROSTANCE HYD BELT ROUT		1
4	AGP07700221	DECAL, FUSE BOX		1
5	AGP07754100	DECAL, HOT SURFACE		2
6	AGP07757500	DECAL, PARKING BRAKE LEVER		1
7	AGP07800340	DECAL, SAFETY - MOWER DECK		2
8	AGP07800402	DECAL, SAFETY - DECK GUARDING		1
9	AGP07800820	DECAL, FUEL WARNING		1
10	AGP07801005	DECAL, DASH - PROSTANCE		1
11	AGP02988100	DECAL, DANGER		1

AGU994161 Anti-Scalp Wheels & Baffles - 48"



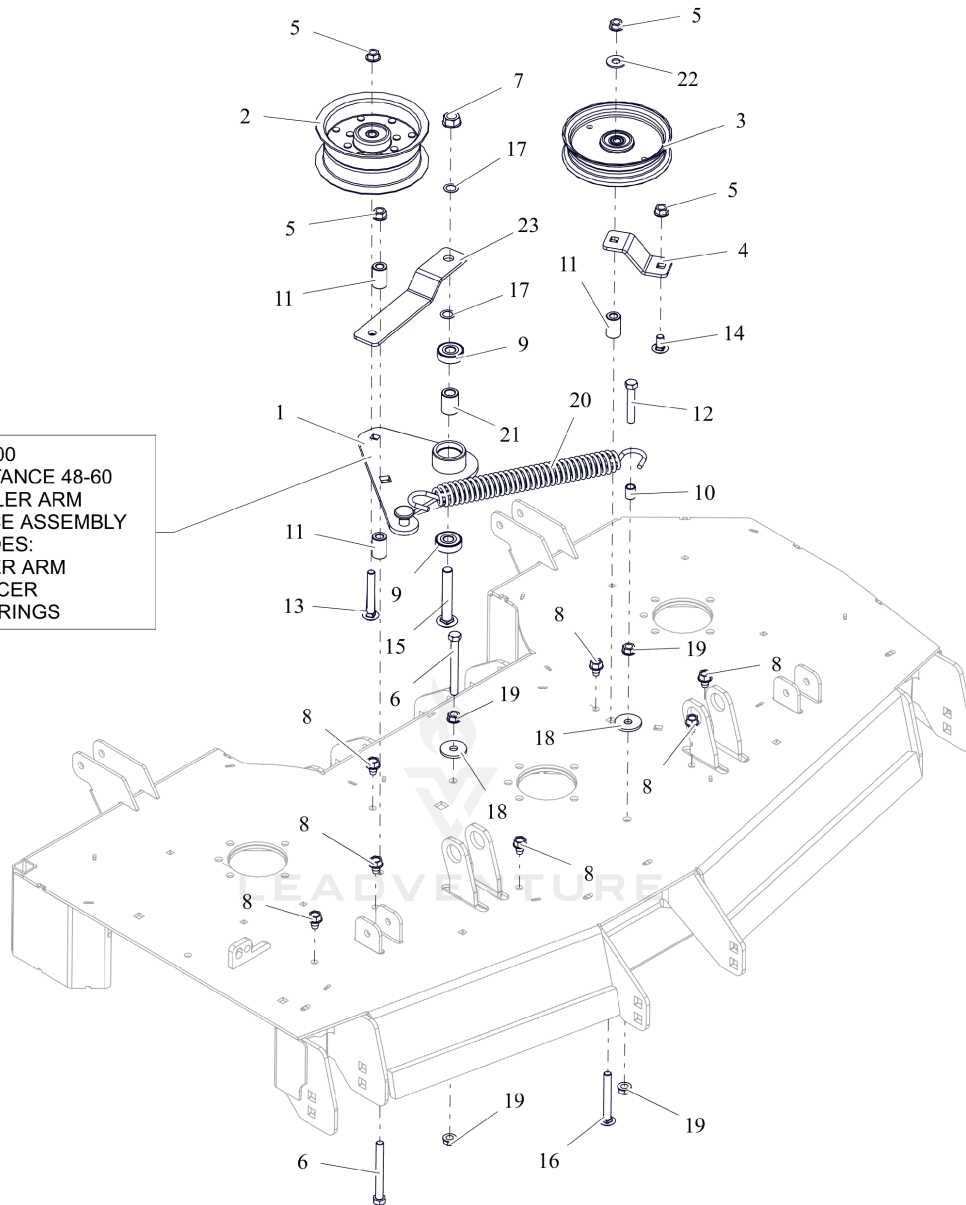
Rendered by LeadVenture, Inc.

AGU994161 Anti-Scalp Wheels & Baffles - 48"

Ref Number	Part Number	Part Description	Context Notes	Quantity
1	AGP05268800	WHEEL, ANTI SCALP - 5X3 CTR W/RIBS		6
2	AGP06200505	BLT,RHNS .50-13X4.50 G5 ZCC NS		4
3	AGP06200506	BLT,RHSN .50-13X8.00 G5 ZCC NS		1
4	AGP06500902	NUT-LK-CTR-FLG .500-13 GG ZCC		5
5	AGP07400126	SCR,TAP .375-16X.50 HWH TR ZCC		7

AGU994161 Idlers & Sheaves - 48"

59405600
PRO STANCE 48-60
PTO IDLER ARM
SERVICE ASSEMBLY
INCLUDES:
(1) IDLER ARM
(1) SPACER
(1) BEARINGS



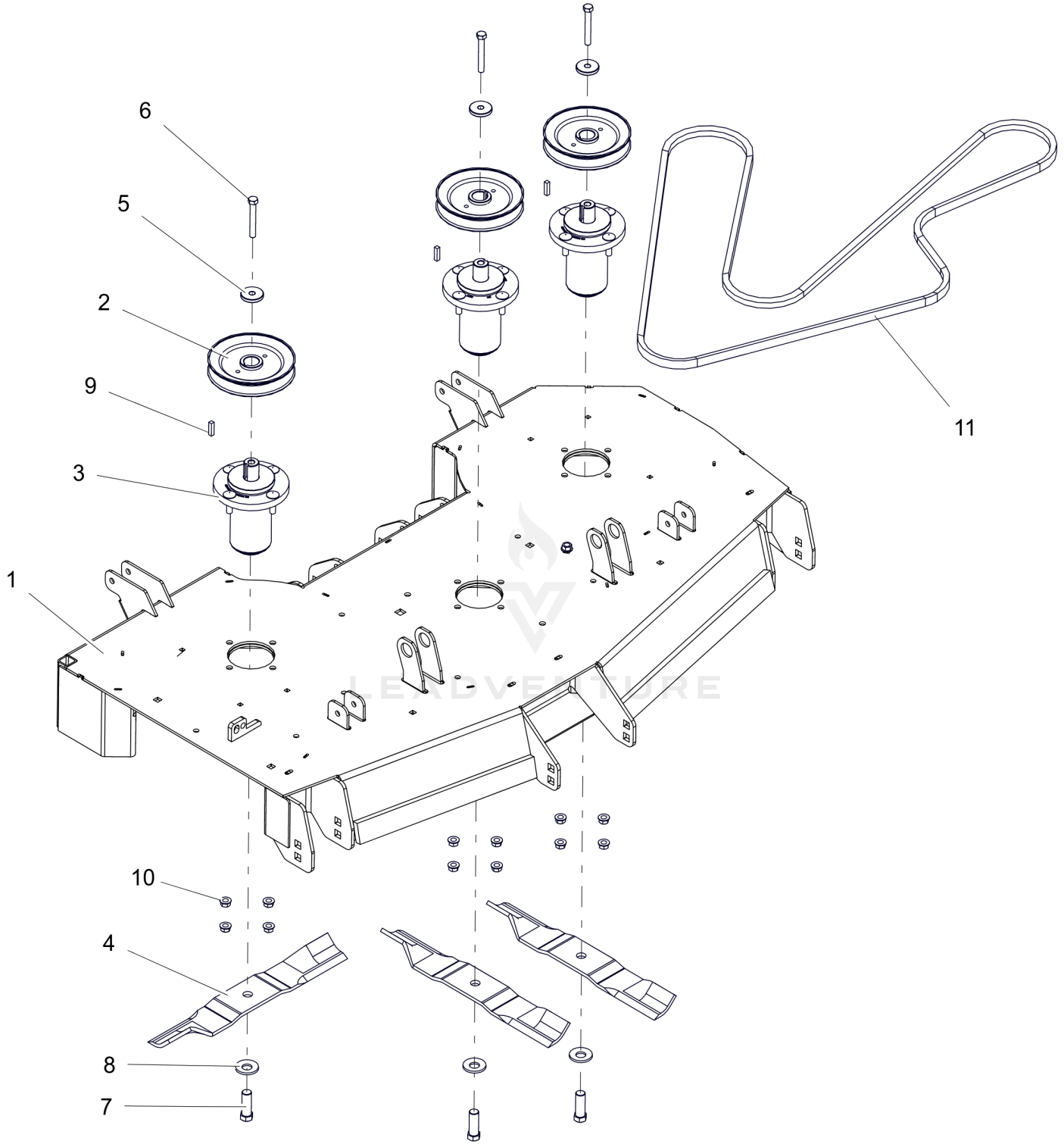
Rendered by LeadVenture, Inc.

AGU994161 Idlers & Sheaves - 48"

Ref Number	Part Number	Part Description	Context Notes	Quantity
1	AGP05189400	WLDMT, PTO IDLER ARM		1
2	AGP07300532	PULLEY, FLAT 5.00X2.36X.375		1
3	AGP07351200	IDLER- FLAT - 5.00" X .75"		1
4	AGP04981853	PTO FIXED IDLER MTG BRKT -RED		1
5	AGP06500901	NUT-LK-CTR-FLG .375-16 GF ZCC		4
6	AGP05901818	BLT, HEX .38-16X3.50 G5 ZCC		2
7	AGP06500902	NUT-LK-CTR-FLG .500-13 GG ZCC		1
8	AGP07400126	SCR,TAP .375-16X.50 HWH TR ZCC		7
9	AGP05408000	BRG-BALL .500X1.38X.437		2
10	AGP05501226	SPCR, SLV .385X.500X.652		1
11	AGP05501308	BUSHING, SLV .380X.750X1.190		3
12	AGP05901640	BLT,HEX .38-16X2.25 G5 ZCC		1
13	AGP06200316	BLT, RHSN .38-16X2.75 G5 ZCC		1
14	AGP06200432	BTL,RHSSN .375-16 X 0.75 G5 FPB		1
15	AGP06200339	BTL,RHSSN .500-13 X 3.25 G5 ZCC		1
16	AGP06200434	BTL,RHSSN .375-16 X 3 G5 ZCC		1
17	AGP06400015	WASHER, .500X.750X.020 THRUST		2
18	AGP06401121	WSHR,FLT .406X1.375X.135 ZCC		2

Ref Number	Part Number	Part Description	Context Notes	Quantity
19	AGP06500735	NUT, SPNLK-FLG .38-16 G5 ZCC		4
20	AGP08300708	SPRING, EXTENSION		1
21	AGP09357700	SPACER .510 X .75 X 1.1485		1
22	AGP06401008	WSHR,FLT .438X1.00X.083 ZCC		1
23	AGP30141853	BRKT, PROSTANCE PTO IDLER (RED)		1
24	AGP59405600	PTO IDLER ASSEMBLY	Service Component Part	1

AGU994161 Deck, Belt, Blades, & Spindles - 48"

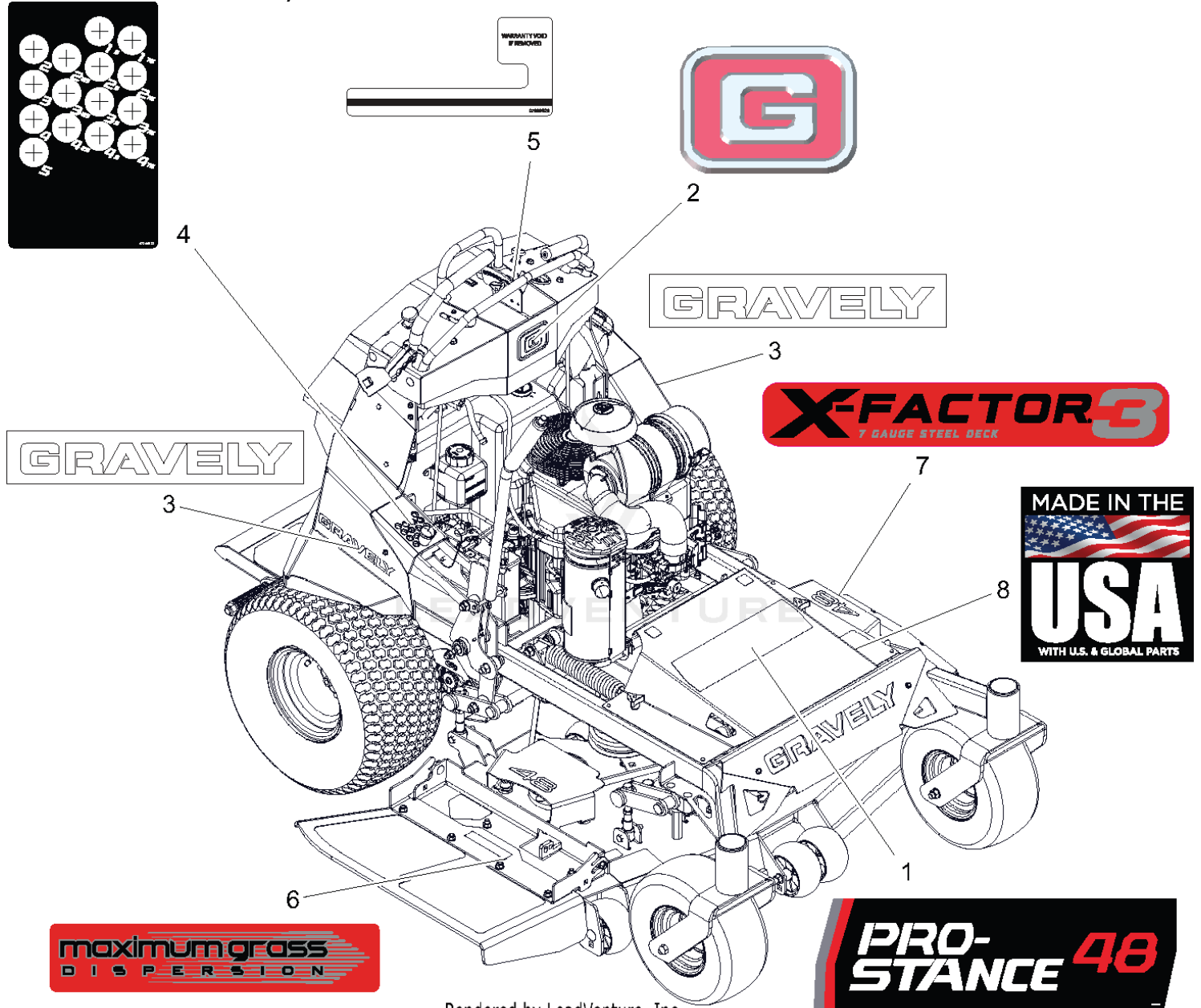


Rendered by LeadVenture, Inc.

AGU994161 Deck, Belt, Blades, & Spindles - 48"

Ref Number	Part Number	Part Description	Context Notes	Quantity
1	AGP59406300	KIT-SVC 48" DECK WITH DECALS		1
2	AGP07349651	PULLEY, V-1.00 ID X 5.75 OD (BLACK)		3
3	AGP58810800	ASM, MAINT FREE ALUM SPINDLE		3
4	AGP05261100	BLADE, MOWER - 16.19"		3
5	AGP04530500	RETAINER, SHEAVE		3
6	AGP05901813	BLT, HEX .38-16X2.75 G8 ZCC		3
7	AGP05901822	BLT, HEX .62-18X1.75 G8 ZCC		3
8	AGP06445700	WSHR-BLVL .669X1.535X.138		3
9	AGP06611200	KEY, SQ .25X.25X1.00 RC 40-50		3
10	AGP06500901	NUT-LK-CTR-FLG .375-16 GF ZCC		12
11	AGP07200706	BELT, B-SECTION EPDM RAW EDGE		1

AGU994161 Decals Style - 48"

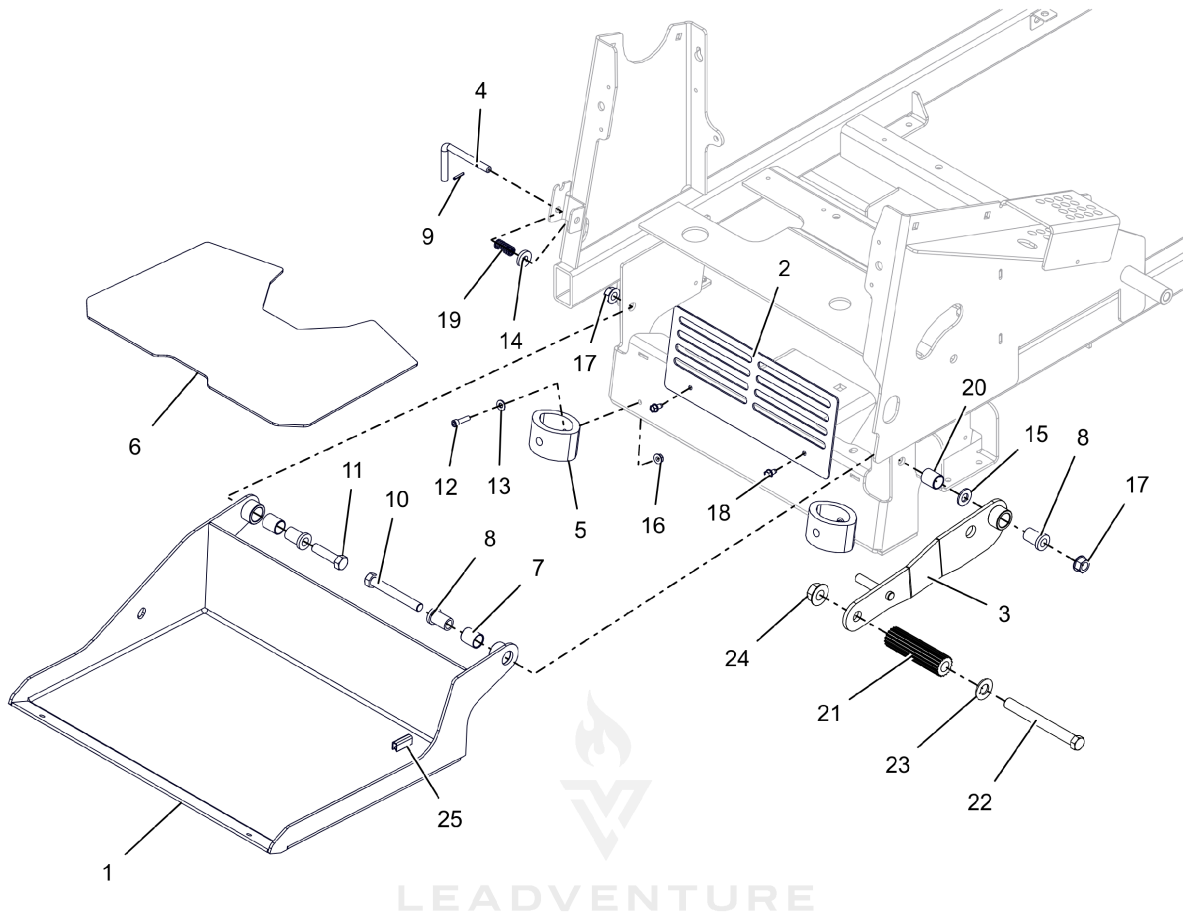


Rendered by LeadVenture, Inc.

AGU994161 Decals Style - 48"

Ref Number	Part Number	Part Description	Context Notes	Quantity
1	AGP07700137	DECAL, PROSTANCE 48		1
2	AGP07800534	DECAL, GRAVELY BRAND		1
3	AGP07800618	DECAL, 9.5" GRAVELY LOGO		2
4	AGP07800922	DECAL, DECK - HEIGHT ADJUST		1
5	AGP07800928	DECAL, HOURMETER - SECURITY		1
6	AGP07801229	DECAL, DECK - MAX GRASS		1
7	AGP07801232	DECAL, DECK - X-FACTOR 3		1
8	AGP08001038	DECAL, MADE IN USA		1

AGU994161 Operator Platform



Rendered by LeadVenture, Inc.

AGU994161 Operator Platform

Ref Number	Part Number	Part Description	Context Notes	Quantity
1	AGP05192451	PLATFORM, OPERATOR		1
2	AGP05254253	GUARD, FOOT (RED)		1
3	AGP05199551	BRKT, DECK LIFT FOOT PEDDLE		1
4	AGP05254400	PIN, PLATFORM LOCK		1
5	AGP05255200	BUMPER, PLATFORM		2
6	AGP05258700	TAPE, OPERATOR PLATFORM GRIP		1
7	AGP05435900	BRG, .750 X .875 X 1.000		2
8	AGP05527200	BSHG-FLG .515X.746X1.290X1.000		3
9	AGP05803400	PIN-ROLL .125X.75		1
10	AGP05901703	BLT,HEX .50-13X3.75 G5 ZCC		1
11	AGP05901929	BLT, HEX .50-13X2.00 G5 ZCC		1
12	AGP05902033	SCR, SKH .25-20X1.00		2
13	AGP06401001	WSHR,FLT .281X.625X.065 ZCC		2
14	AGP06401108	WSHR, FLT .406X1.00X.188 ZCC		1
15	AGP06401015	WSHR,FLT .531X1.062X.095 ZCC		1
16	AGP06500821	NUT-LK-CTR-FLG .25-20 ZC120		2
17	AGP06500902	NUT-LK-CTR-FLG .500-13 GG ZCC		2
18	AGP07400122	SCR-TAP .25-20X.50 HWH ZCC		2
19	AGP08300028	SPRING, COMPRESSION		1
20	AGP05435900	BRG, .750 X .875 X 1.000		1
21	AGP05120951	ROD, FOOT PEDAL (BLACK)		1

Ref Number	Part Number	Part Description	Context Notes	Quantity
22	AGP05901730	BLT, HEX .62-11X5.50 G5 FBP		1
23	AGP06401039	WSHRFLT 5/8SAE CARBHARD FBP		1
24	AGP06500835	NUT,FLG-TOP LK .625-11 FBP		1
25	AGP00918200	STRIP, COWL		1