

Pro-Turn 660 [AGU992501]
(004000+)

TABLE OF CONTENTS

AGU992501 Unit	3
AGU992501 Accessories	5
AGU992501 Anti-Scalp Wheels & Deck Stops - 52" & 60"	7
AGU992501 Casters & Drive Wheels	9
AGU992501 Continuity Diagram	12
AGU992501 Control Panel - Kawasaki FX1000	14
AGU992501 Decals - Safety	16
AGU992501 Decals - Style - 60"	18
AGU992501 Deck Drive Idlers - 52" & 60"	20
AGU992501 Deck Lift - 52" & 60"	23
AGU992501 Deck Lift - Height Of Cut	26
AGU992501 Deck Stabilizer Arms & Belt Guards - 52" & 60"	29
AGU992501 Deck, Belts, Blades & Spindles - 60"	31
AGU992501 Discharge Chute	33
AGU992501 Electrical - Kawasaki Non EFI	35
AGU992501 Engine - Kawasaki FX1000	38
AGU992501 Frame, Front Bumper & Battery Tray - 52" & 60"	41
AGU992501 Fuel Tanks - Kawasaki Non-EFI	43
AGU992501 Park Brake - Lower	45
AGU992501 Park Brake - Upper	47
AGU992501 Quick Reference Service Parts	50
AGU992501 Rear Bumper	53
AGU992501 ROPS	55
AGU992501 Seat - Footrest	57
AGU992501 Seat - Lower Shock	59
AGU992501 Seat - Upper Shock	62
AGU992501 Steering Controls	65
AGU992501 Transaxle Drive	68
AGU992501 Transaxles	70
AGU992501 Wiring Diagram	72

AGU992501 Unit



Rendered by LeadVenture, Inc.

AGU992501 Unit

Ref Number	Part Number	Part Description	Context Notes	Quantity
1	AGU992501	PRO-TURN 660 - 35HP KAWASAKI FX1000 V-TWIN W/ 60" DECK, HTG PARKER TRANSAXLES		1



LEADVENTURE

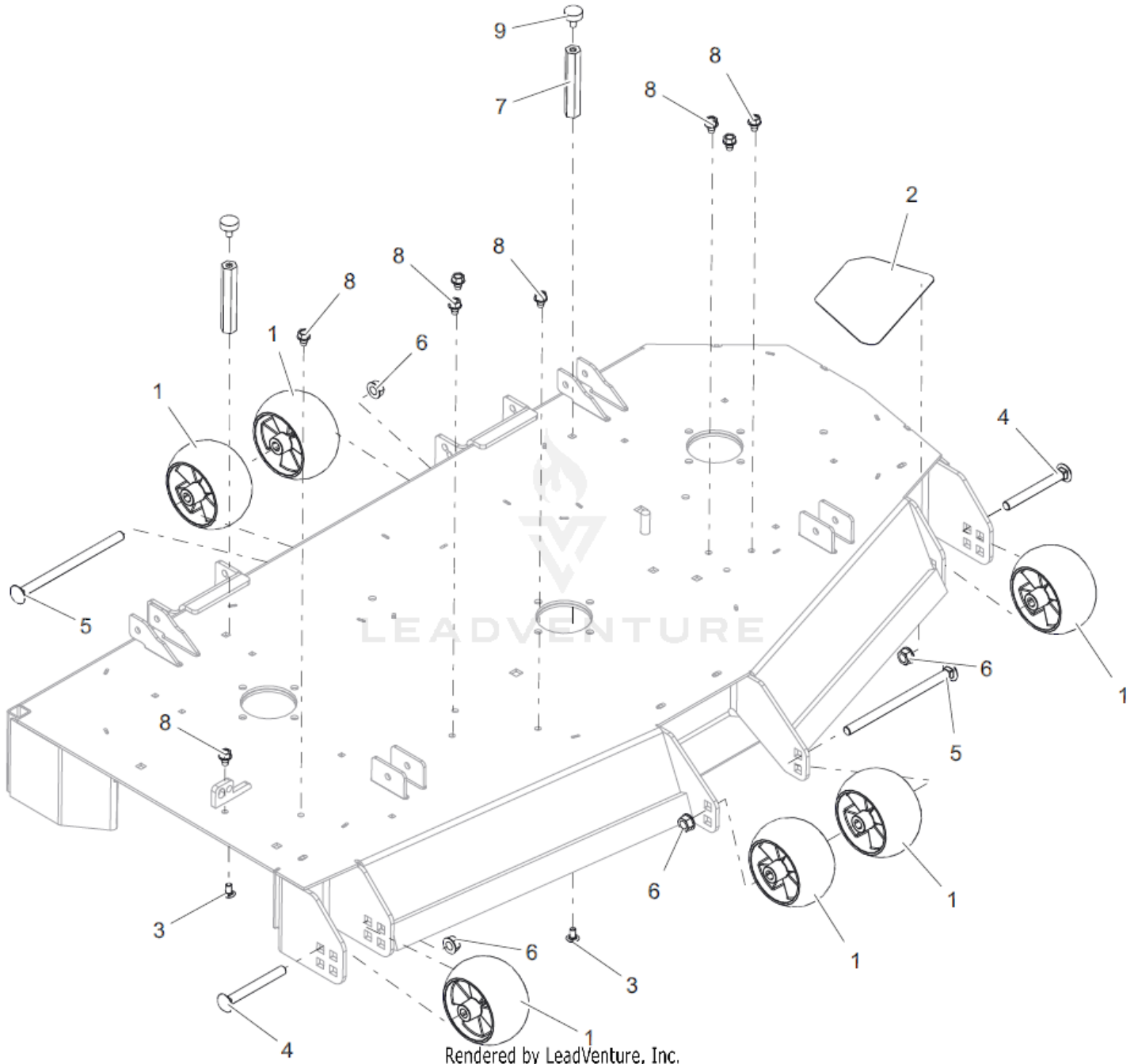
ACCESSORIES

Rendered by LeadVenture, Inc.

AGU992501 Accessories

Ref Number	Part Number	Part Description	Context Notes	Quantity
	AGP89205300	3-BIN BAGGER	Requires item number 2	
	AGA792213	60" BAGGER COMPLETION KIT	Required for installation of bagger, item number 1	
	AGA792203	60" GRASS MULCHING KIT (w/BLADES)		
	AGA792216	OPERATOR CONTROLLED DISCHARGE BAFFLE		
	AGA792158	TRAILER HITCH		
	AGA792209	LED HEADLIGHT KIT		
	AGA792218	KIT- 44-72 STRIPING		
	AGA792205	TWEEL KIT 26X12.00-12 - FITS PRO-TURN 600 MODELS		
	AGP71515300	COVER- ZERO TURN- GRAVELY		
	AGA792194	KIT, 3PK 20.5" LE BLADE 60"		
	AGA792200	KIT, LASEREDGE MULCH BLADES (3PK)		
	AGA707216	KIT- TUNE UP-KAWASAKI	Engine Maintenance Kit, Includes 2 Quarts of Gravely 10W40 Oil, OEM Oil Filter, OEM Fuel Filter, OEM Inner Air Filter, OEM Outer Air Filter, 2 Spark Plugs	
	AGA715174	KIT, DBL WHEEL ANTI-SCALP 5X3	Double wheel anti-scalp wheel kit includes two anti-scalp wheels and the necessary hardware	

AGU992501 Anti-Scalp Wheels & Deck Stops - 52" & 60"



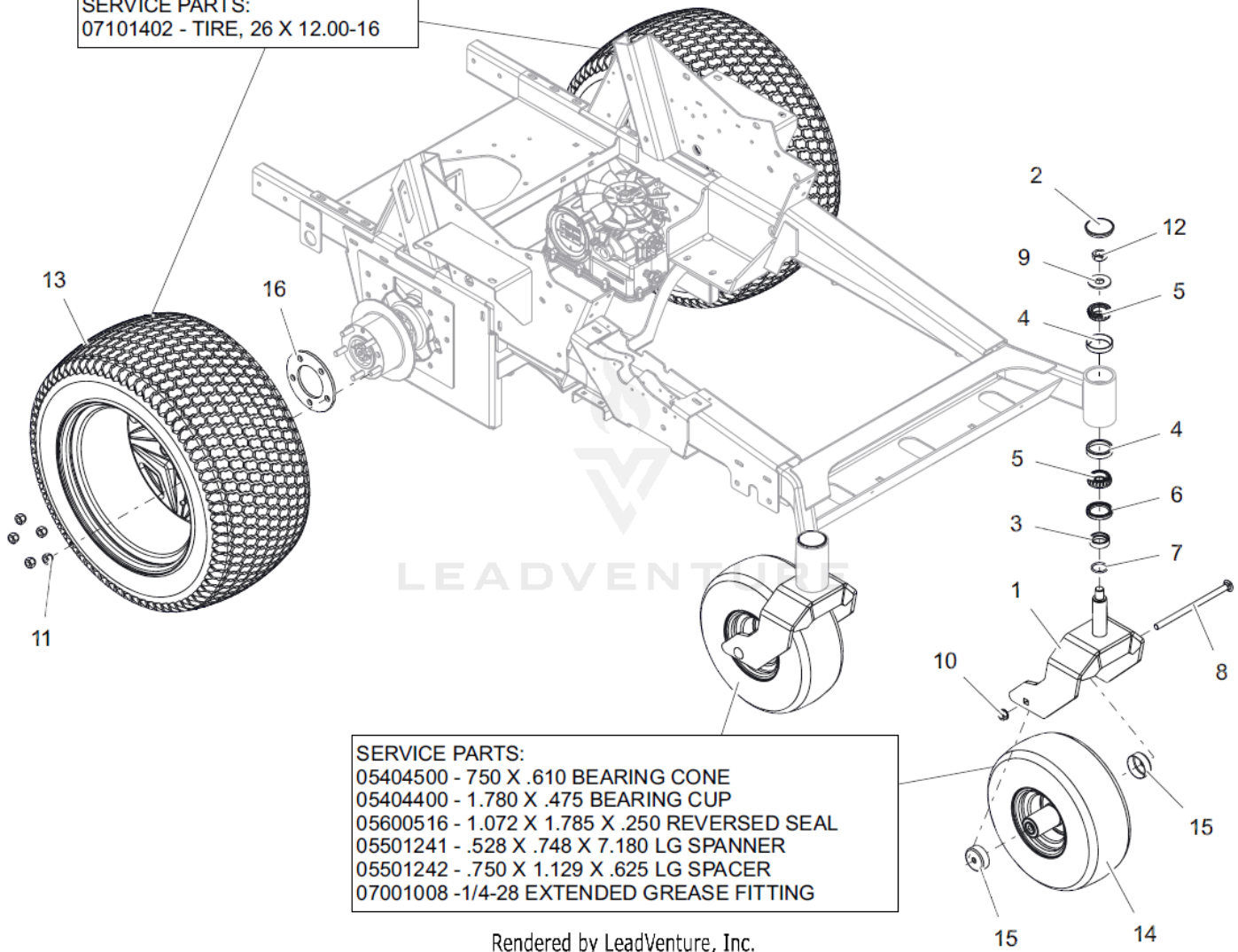
Rendered by LeadVenture, Inc.

AGU992501 Anti-Scalp Wheels & Deck Stops - 52" & 60"

Ref Number	Part Number	Part Description	Context Notes	Quantity
1	AGP05268800	WHEEL, ANTI SCALP - 5X3 CTR W/RIBS		6
2	AGP05291700	PRO TURN ANTI SKID TAPE KIT		1
3	AGP06200304	BTL,RHSSN .313-18 X 0.625 G5 ZCC		2
4	AGP06200240	BLT,RHSN .50-13X4.50 G5 ZCC		2
5	AGP06200506	BLT,RHSN .50-13X8.00 G5 ZCC NS		2
6	AGP06500902	NUT-LK-CTR-FLG .500-13 GG ZCC		4
7	AGP07001915	NUT, COUPLING .312-18 X 4.295		2
8	AGP07400126	SCR,TAP .375-16X.50 HWH TR ZCC		8
9	AGP07533600	BUMPER, RUBBER		2

AGU992501 Casters & Drive Wheels

SERVICE PARTS:
07101402 - TIRE, 26 X 12.00-16



Rendered by LeadVenture, Inc.

AGU992501 Casters & Drive Wheels

Ref Number	Part Number	Part Description	Context Notes	Quantity
1	AGP09372353	WLDMT, CASTER FORK (RED)		2
2	AGP03925900	CAP, DUST		2
3	AGP04861500	SPCR, FRONT CASTER FORK		2
4	AGP05404600	BRG-CUP 2.328X.465		4
5	AGP05404700	BRG-CONE 1.25X.66		4
6	AGP05600432	SEAL, OIL 1.75 X 2.332 X .312		2
7	AGP05600515	O-RING,		2
8	AGP06200322	BTL,RHSN .500-13 X 9 G5 ZCC		2
9	AGP06401201	WSHR-FL-STL 0.812X2X0.148 ZCC		2
10	AGP06500902	NUT-LK-CTR-FLG .500-13 GG ZCC		2
11	AGP06500926	NUT, WHEEL .50-20 ZCC		10
12	AGP06500933	NUT, JAM-TOPLOCK .750-16 ZCC		2
13	AGP07101401	ASM, WHEEL /TIRE 26 X 12.00-16		2
14	AGP07101406	ASM, TIRE/WHEEL 15 X 6.00-6 SEMI		2
15	AGP09357800	SHIELD, WHEEL BEARING		4
16	AGP09425251	SPCR, PT600 WHEEL (BLACK)		2
17	AGP07101402	TIRE, 26 X 12.00-16	Component Service Part	2
18	AGP05404500	BRG-CONE .750X.61	Component Service Part	2
19	AGP05404400	BRG-CUP 1.781X.475	Component Service Part	2
20	AGP05600516	SEAL,1.072X1.785X.250 REVERSED	Component Service Part	2
21	AGP05501241	SPANNER, .528X.748X7.18 LG	Component Service Part	2
22	AGP05501242	SPACER, .750X1.129X.625 LG	Component Service Part	2

Ref Number	Part Number	Part Description	Context Notes	Quantity
23	AGP07001008	GREASE FITTING 1/4-28 EXTENDED	Component Service Part	2

AGU992501 Continuity Diagram

The diagrams below show the various states of connection for electrical components.

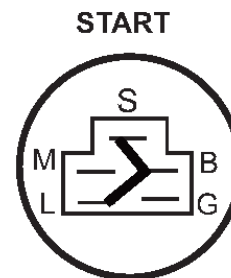
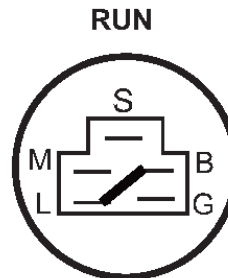
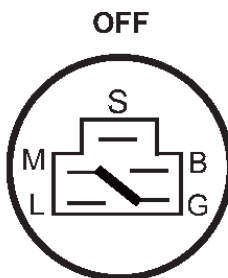
The solid lines on switches show continuity.

NOTE: All switches are viewed from the rear.

Key Switch

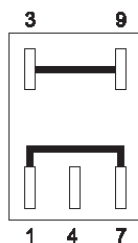
(04331600)

POSITION	CIRCUIT
1. OFF	G + M
2. RUN	B + L
3. START	B + L + S

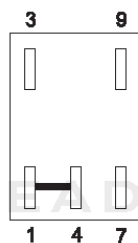


PTO Switch

(01545600)



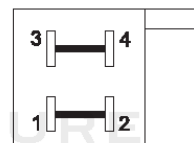
DISENGAGED
(down position)



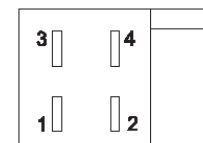
ENGAGED
(up position)

Brake Switch

(03606600)



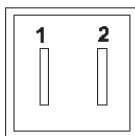
BUTTON IN



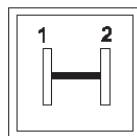
BUTTON OUT

Seat Switch

(02754100)



OPERATOR
OFF SEAT



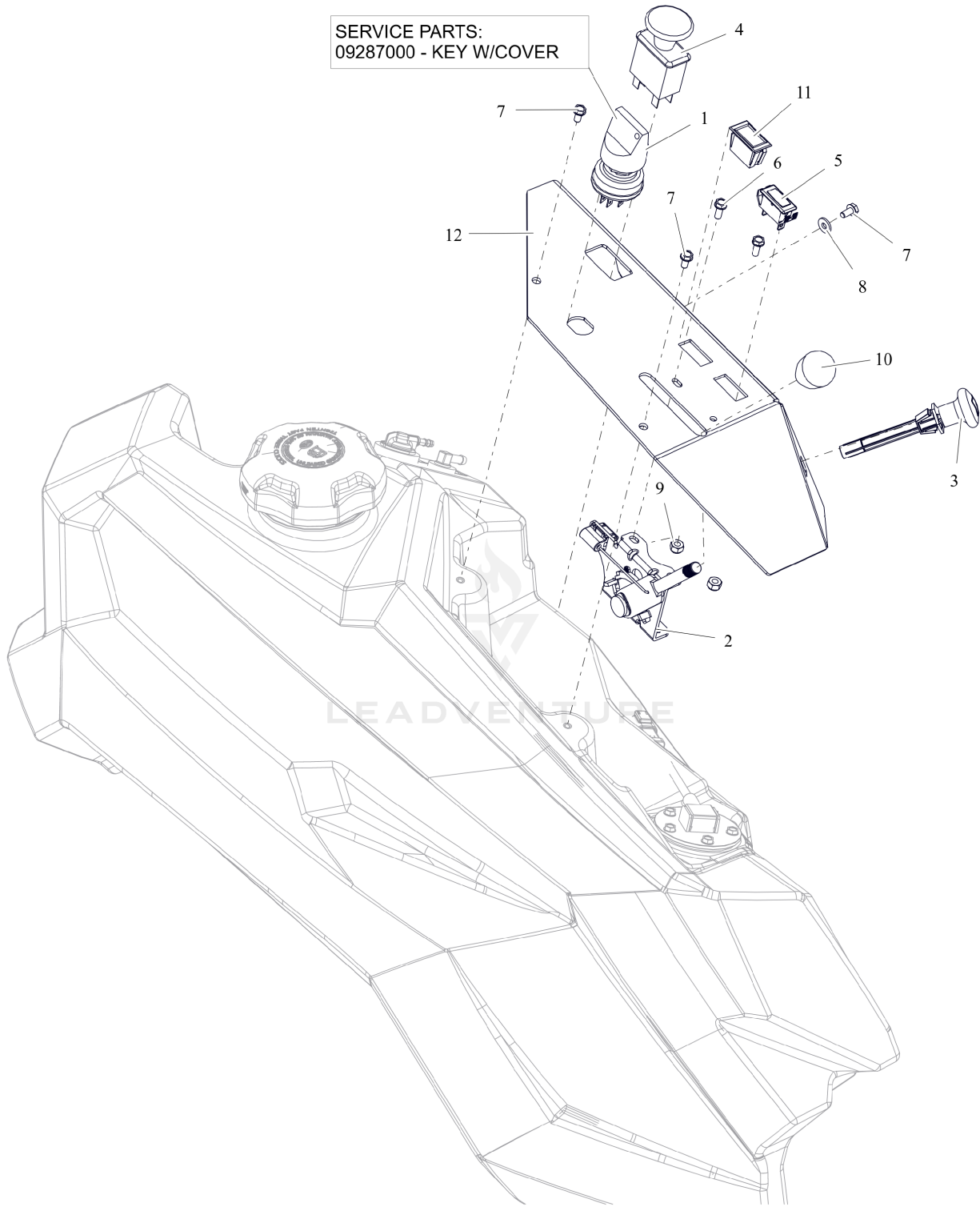
OPERATOR
ON SEAT

Rendered by LeadVenture, Inc.

AGU992501 Continuity Diagram

Ref Number	Part Number	Part Description	Context Notes	Quantity
-------------------	--------------------	-------------------------	----------------------	-----------------

AGU992501 Control Panel - Kawasaki FX1000



Rendered by LeadVenture, Inc.

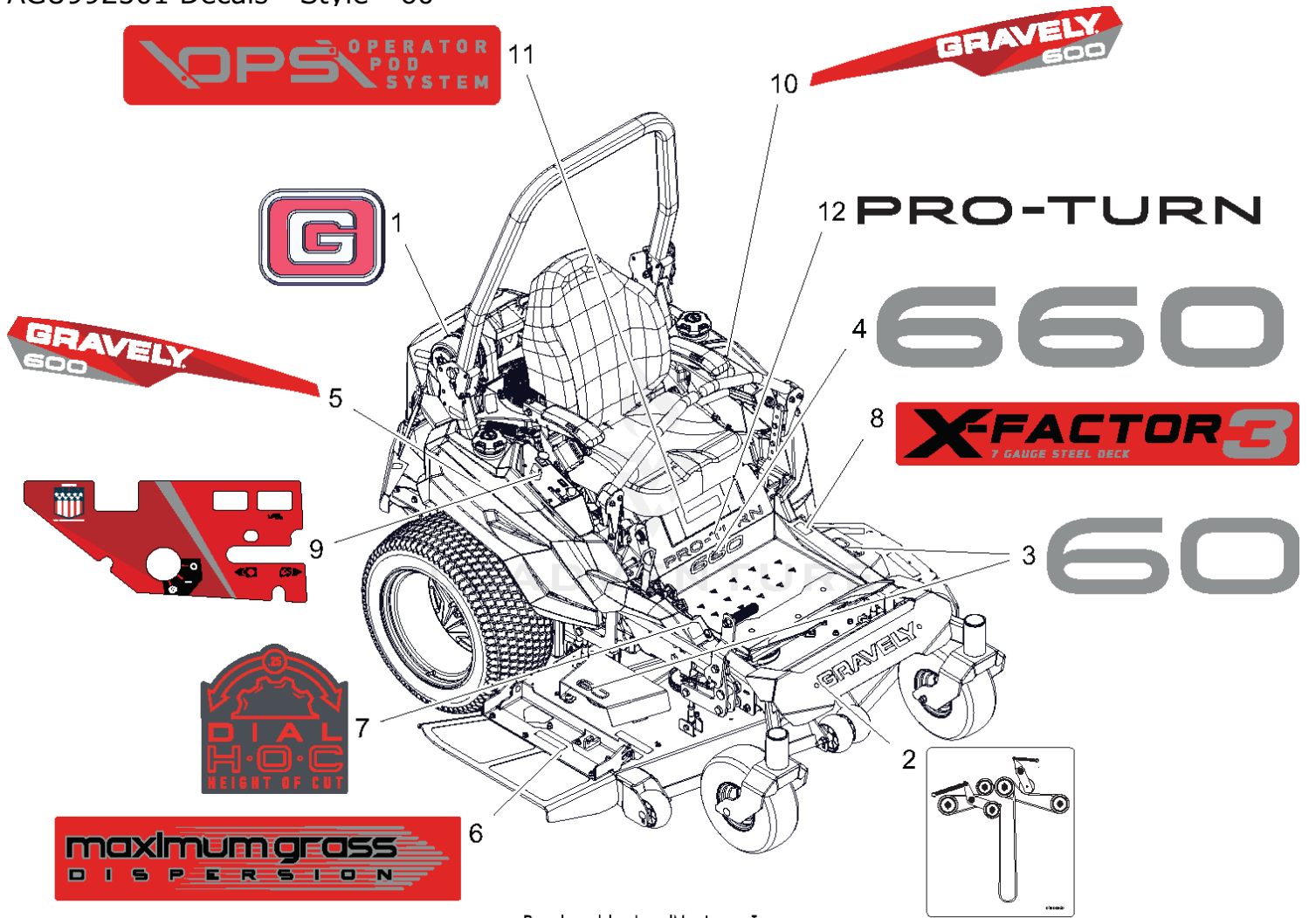
AGU992501 Control Panel - Kawasaki FX1000

Ref Number	Part Number	Part Description	Context Notes	Quantity
1	AGP04331600	SWITCH, IGNITION		1
2	AGP06900630	CABLE, PRO-CTRL 53.00"		1
3	AGP06900729	CABLE, CHOKE (SNAP IN)		1
4	AGP01545600	SWITCH, CLUTCH		1
5	AGP05128700	LIGHT, INDICATOR (RED)		1
6	AGP05901825	BLT, HWH #10-24X.50 ZCC		2
7	AGP06100211	SCR-MCH 10-24X.38 HWHSTAINLESS		3
8	AGP06401029	WSHR-FL-STL .196X.50X.06 ZC120		1
9	AGP06500915	NUT-LK-NYL #10-24 G2 ZCC		2
10	AGP07500132	KNOB-CONTROL-BLACK .38-16X.50		1
11	AGP09003300	SWITCH,BLANK		1
12	AGP09376453	PANEL, RH CONTROL (RED)		1
13	AGP09287000	KEY, W/ SHIELD	Component Service Part	1

AGU992501 Decals - Safety

Ref Number	Part Number	Part Description	Context Notes	Quantity
1	AGP02988100	DECAL, DANGER		1
2	AGP07754100	DECAL, HOT SURFACE		2
3	AGP07756000	DECAL, DANGER FAN		1
4	AGP07757500	DECAL, PARKING BRAKE LEVER		1
5	AGP07800401	DECAL, SAFETY - GUARDING		2
6	AGP07800402	DECAL, SAFETY - DECK GUARDING		1
7	AGP07800410	DECAL, DECK SAFETY		2
8	AGP07800654	DECAL, INSTR SAFETY		1
9	AGP07800820	DECAL, FUEL WARNING		2
10	AGP07801237	DECAL, FUEL VALVE		1
11	AGP07801240	DECAL, FUSE BOX - PT600		1

AGU992501 Decals - Style - 60"



Rendered by LeadVenture, Inc.

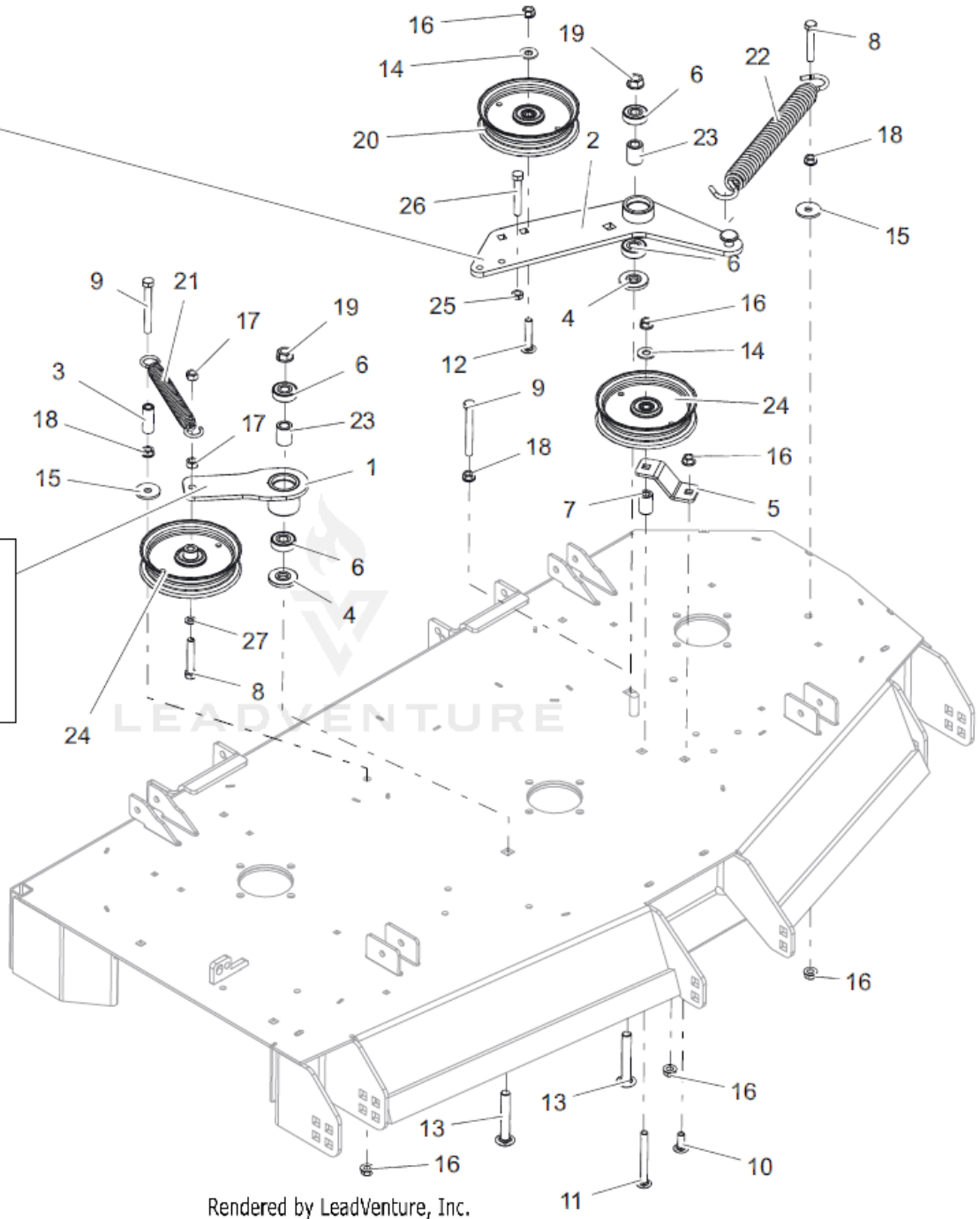
AGU992501 Decals - Style - 60"

Ref Number	Part Number	Part Description	Context Notes	Quantity
1	AGP07800534	DECAL, GRAVELY BRAND		1
2	AGP07800620	DCL,BELT ROUTE-RH BK-SIDE IDLR		1
3	AGP07801125	DECAL, DECK - 60		2
4	AGP07801226	DECAL, PT660		1
5	AGP07801228	DECAL, GRAVELY TANK - RH		1
6	AGP07801229	DECAL, DECK - MAX GRASS		1
7	AGP07801230	DECAL, COVER - HOC		1
8	AGP07801232	DECAL, DECK - X-FACTOR 3		1
9	AGP07801233	DECAL, CONTROL PANEL		1
10	AGP07801234	DECAL, GRAVELY TANK - LH		1
11	AGP07801235	DECAL, OPS		1
12	AGP07801236	DECAL, PRO TURN		1

AGU992501 Deck Drive Idlers - 52" & 60"

58813900
PTO IDLER ARM
SERVICE ASSEMBLY
09374700 - IDLER ARM
09357700 - SPACER
05408000 - BEARINGS

59230200
RH IDLER ARM
SERVICE ASSEMBLY
INCLUDES:
(1) 09363600 - IDLER ARM
(1) 09357700 - SPACER
(2) 05408000 - BEARING



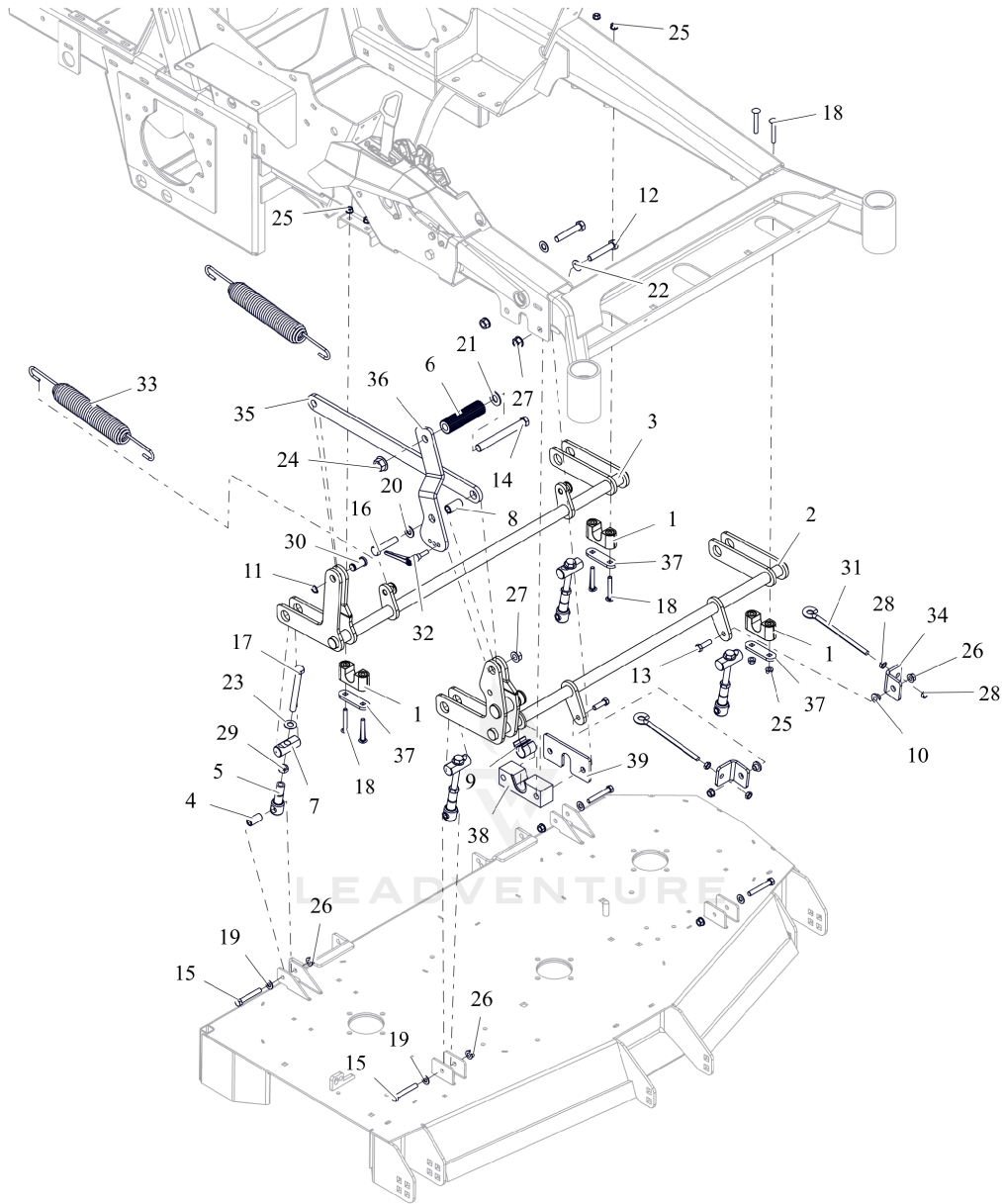
Rendered by LeadVenture, Inc.

AGU992501 Deck Drive Idlers - 52" & 60"

Ref Number	Part Number	Part Description	Context Notes	Quantity
1	AGP09363600	WLDMT, DECK RH IDLER ARM		1
2	AGP09374700	WLDMT, IDLER ARM PT660		1
3	AGP03763400	SPACER, .375IDX.625ODX1.66 PM		1
4	AGP04714600	SPACER, IDLER ARM		2
5	AGP04981853	PTO FIXED IDLER MTG BRKT -RED		1
6	AGP05408000	BRG-BALL .500X1.38X.437		4
7	AGP05501308	BUSHING, SLV .380X.750X1.190		1
8	AGP05901640	BLT,HEX .38-16X2.25 G5 ZCC		2
9	AGP05901817	BLT, HEX .38-16X3.25 G5 ZCC		2
10	AGP06200235	BLT,RHSSN .38-16X1.00 G5 ZCC		1
11	AGP06200238	BLT,RHSSN .38-16X3.50 G5 ZCC		1
12	AGP06200323	BLT,RHSSN.375-16X2.00 G5 ZCC		1
13	AGP06200339	BTL,RHSSN .500-13 X 3.25 G5 ZCC		2
14	AGP06401008	WSHR,FLT .438X1.00X.083 ZCC		2
15	AGP06401121	WSHR,FLT .406X1.375X.135 ZCC		2
16	AGP06500901	NUT-LK-CTR-FLG .375-16 GF ZCC		6
17	AGP06500825	NUT-LK-CTR .38-16 ZC120		2
18	AGP06500735	NUT, SPNLK-FLG .38-16 G5 ZCC		3
19	AGP06500902	NUT-LK-CTR-FLG .500-13 GG ZCC		2
20	AGP07351100	PULLEY, FLAT IDLER .500 X .375 W/BRG		1

Ref Number	Part Number	Part Description	Context Notes	Quantity
21	AGP08300728	SPRING- EXTENSION		1
22	AGP08300708	SPRING, EXTENSION		1
23	AGP09357700	SPACER .510 X .75 X 1.1485		2
24	AGP07351200	IDLER- FLAT - 5.00" X .75"		2
25	AGP06500910	NUT-JAM .375-16 G2 ZCC		1
26	AGP05901812	BLT, HEX .38-16X2.50 G5 ZCC		1
27	AGP06401002	WSHR,FLT .323X.625X.062 ZCC		1
28	AGP58813900	PTO IDLER ARM	Component Service Part	1
29	AGP09374700	WLDMT, IDLER ARM PT660	Component Service Part	1
30	AGP09357700	SPACER .510 X .75 X 1.1485	Component Service Part	1
31	AGP05408000	BRG-BALL .500X1.38X.437	Component Service Part	1
32	AGP59230200	RH IDLER ARM	Component Service Part	1
33	AGP09363600	WLDMT, DECK RH IDLER ARM	Component Service Part	1
34	AGP09357700	SPACER .510 X .75 X 1.1485	Component Service Part	1
35	AGP05408000	BRG-BALL .500X1.38X.437	Component Service Part	1

AGU992501 Deck Lift - 52" & 60"



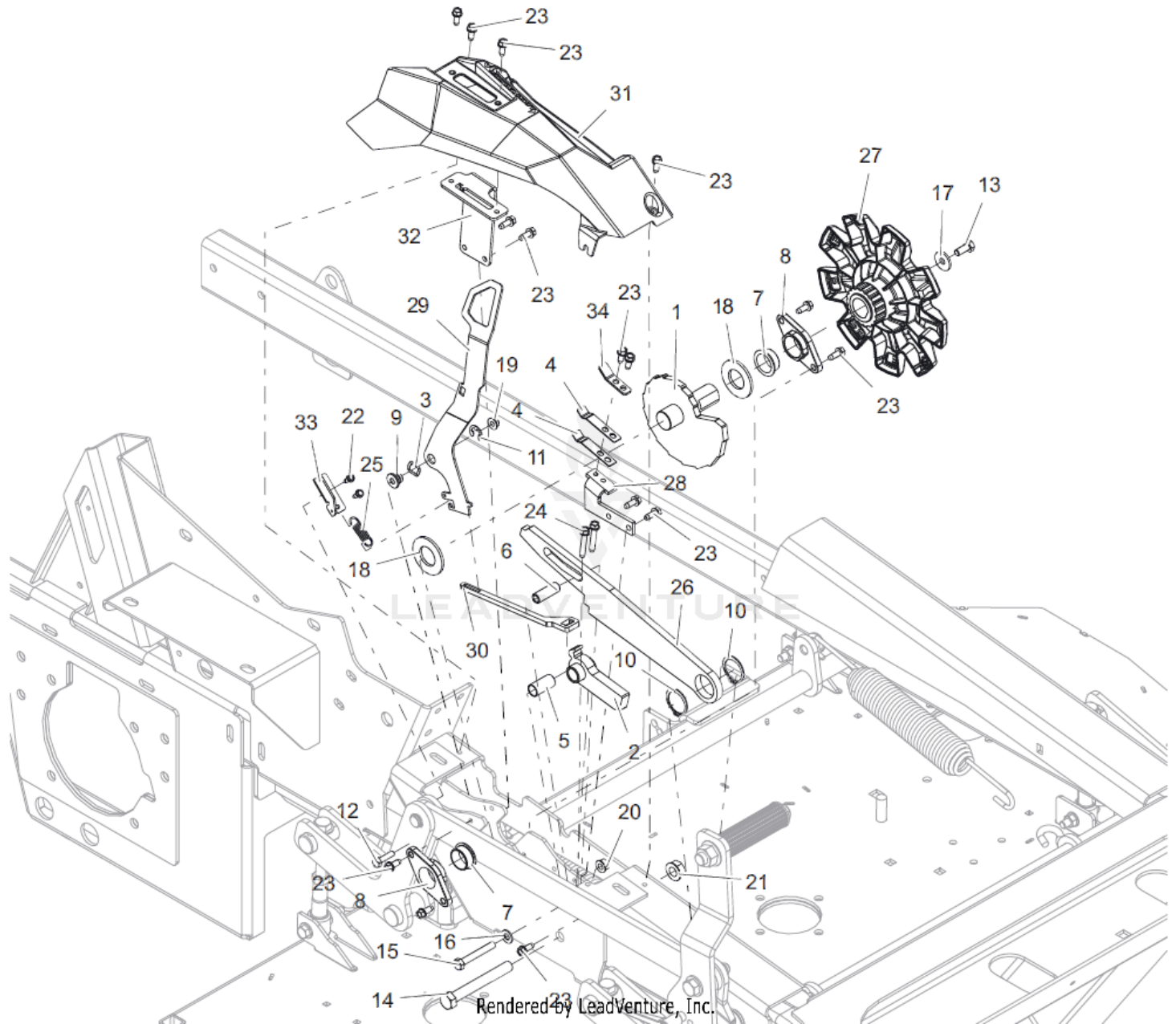
Rendered by LeadVenture, Inc.

AGU992501 Deck Lift - 52" & 60"

Ref Number	Part Number	Part Description	Context Notes	Quantity
1	AGP07500414	ASM-BUSHING, DECK LIFT		3
2	AGP09367751	WLDMT, FRONT DECK LIFT (BLACK)		1
3	AGP09367851	WLDMT, REAR DECK LIFT (BLACK)		1
4	AGP04895200	SPACER, DECK LEVELING		4
5	AGP05081400	LINK, DECK LIFT FORMED		4
6	AGP05120951	ROD, FOOT PEDAL (BLACK)		1
7	AGP05149500	PIN, DECK LIFT		4
8	AGP05400732	SPCR, SLV .531x.75x1.449		1
9	AGP05400736	BUSHING, SHAFT		1
10	AGP05500435	BSHG-FLG .385X.500X.875X.406		2
11	AGP05709200	RG-RTNG-EXT .625X.050		1
12	AGP05901720	BLT,HEX .50-13X2.75 G5 ZCC		2
13	AGP05901724	BLT, HEX .38-16X1.25 G5 ZCC		2
14	AGP05901730	BLT, HEX .62-11X5.50 G5 FBP		1
15	AGP05901811	BLT, HEX .38-16X2.50 G8 ZCC		4
16	AGP05901835	BLT, HEX .50-13X2.25 G5 ZCC		1
17	AGP05902111	BLT, HEX 0.5-13X4.5S GR5 ZCC		4
18	AGP06200311	BLT, RHSSN.31-18X2.25 G5 ZCC		6
19	AGP06401013	WSHR,FLT .406X.812X.065 ZCC		4
20	AGP06401015	WSHR,FLT .531X1.062X.095 ZCC		1
21	AGP06401039	WSHRFLT 5/8SAE CARBHARD FBP		1
22	AGP06401115	WSHR, FLT .531X1.00X.063 ZCC		2

Ref Number	Part Number	Part Description	Context Notes	Quantity
23	AGP06401116	WSHR, FLT .557X1.040X.102 ZCC		4
24	AGP06500835	NUT,FLG-TOP LK .625-11 FBP		1
25	AGP06500840	NUT,LK-CTR-FLG .31-18 GF ZCC		6
26	AGP06500901	NUT-LK-CTR-FLG .375-16 GF ZCC		6
27	AGP06500902	NUT-LK-CTR-FLG .500-13 GG ZCC		3
28	AGP06500910	NUT-JAM .375-16 G2 ZCC		4
29	AGP06500911	NUT-JAM .500-13 G2 ZCC		4
30	AGP06800207	PIN, CLEVIS .625 SNAP RING		1
31	AGP07001604	BOLT, .38-16X6.00 .62 DIA EYE		2
32	AGP07500502	HANDLE, CLAMPING		1
33	AGP08300722	SPRG, DECK LIFT		2
34	AGP09368751	BRKT, SPRING ANCHOR (BLACK)		2
35	AGP09368851	LINK, DECK LIFT (BLACK)		1
36	AGP09378251	ARM, ADJUSTABLE FOOT PEDAL (BLACK)		1
37	AGP09382951	PLATE, PT600 BEARING SUPPORT (BLACK)		3
38	AGP09394900	BUSHING, DECK LIFT		1
39	AGP09439153	PLATE, SHAFT RETAINER (RED)		1

AGU992501 Deck Lift - Height Of Cut



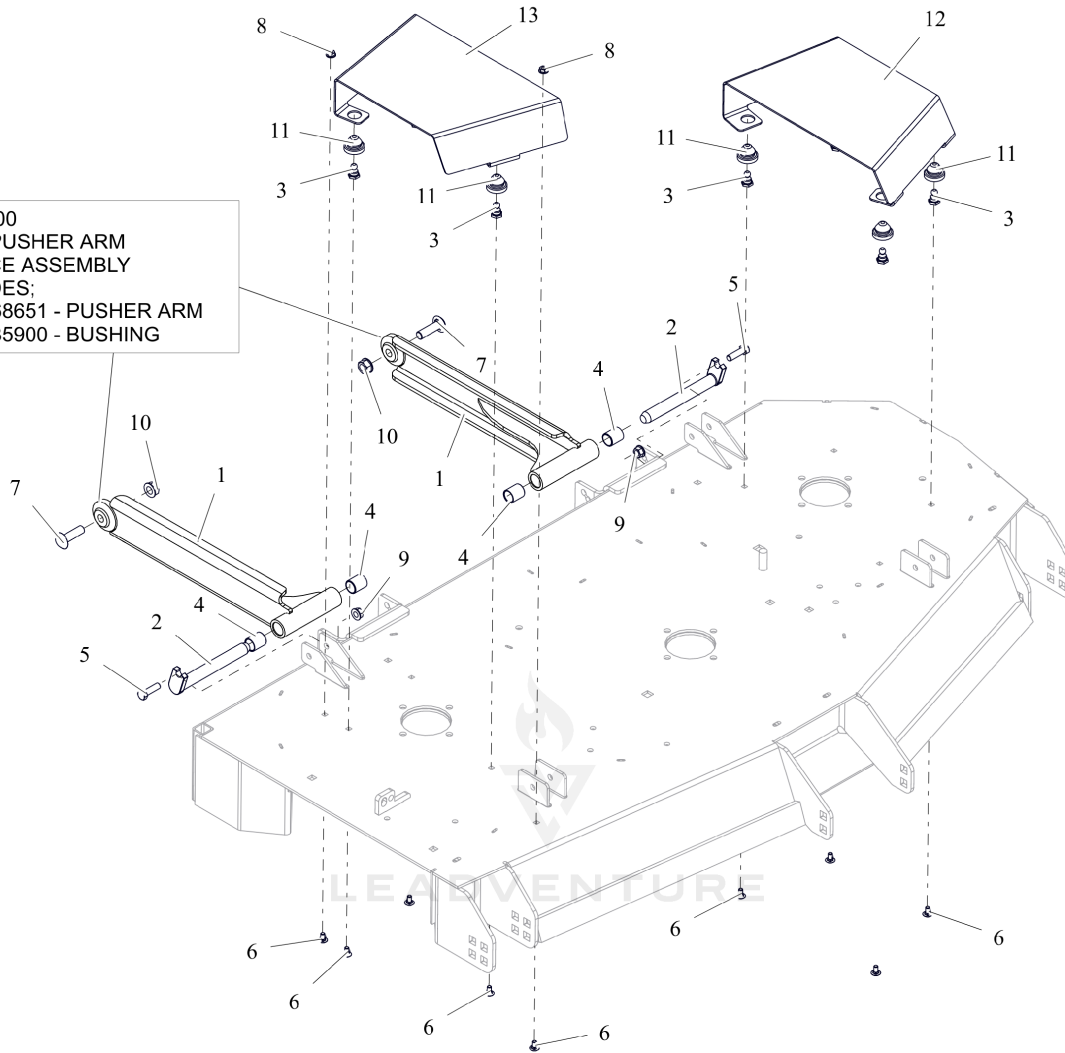
AGU992501 Deck Lift - Height Of Cut

Ref Number	Part Number	Part Description	Context Notes	Quantity
1	AGP09368000	WLDMT, HOC		1
2	AGP09369151	WLDMT, TRANSPORT LOCK PAWL (BLACK)		1
3	AGP00325400	WAVE WASHER .531X.781X.125FH		1
4	AGP04742100	ARM, HOC DETENT		2
5	AGP05400731	SPCR-SLV .531 X .625 X 1.25		1
6	AGP05400733	SPCR, SLV .328 X .439 X 1.381		1
7	AGP05501124	BSHG-FLG 1.0X1.125X.50X1.375 R		2
8	AGP05501420	BSHG, 1.000X1.375X.650		2
9	AGP05501423	BSHG FLANGED .270 X .500 X .468 X .75		1
10	AGP05700213	RG-RET-EXT 1.25 X .050		2
11	AGP05710200	RG-RTNG-EXT .500X.042 (E)		1
12	AGP05901639	BLT,HEX .25-20X1.00 G5 ZCC		1
13	AGP05901704	BLT,HEX .31-18X.75 G5 ZCC		1
14	AGP05901734	BLT, HEX .50-13X4.00 G5 ZCC		1
15	AGP05901806	BLT, HEX .31-18X2.25 G5 ZCC		1
16	AGP06401017	WSHR,FLT .344X.688X.065 ZCC		1
17	AGP06401027	WSHR,FLT .328X1.00X.094 ZCC		1
18	AGP06401203	WSHR-FL-STL 1.062X2X0.134 ZCC		2
19	AGP06500821	NUT-LK-CTR-FLG .25-20 ZC120		1
20	AGP06500840	NUT,LK-CTR-FLG .31-18 GF ZCC		1
21	AGP06500902	NUT-LK-CTR-FLG .500-13 GG ZCC		1
22	AGP07400130	SCR,TAP #10-24X.50 HWH TR ZCC		2
23	AGP07400135	SCR,TAP .25-20X.625 HWH ZCC		5
24	AGP07400140	SCR-TAP .25-20X1.50 HWH ZCC		2
25	AGP08314100	SG-TENS .063X.44X1.56		1
26	AGP09367951	ARM, HOC LINK (BLACK)		1
27	AGP09368100	WHEEL, HOC INDEX		1
28	AGP09368951	BRKT, HOC DETENT MTG (BLACK)		1

Ref Number	Part Number	Part Description	Context Notes	Quantity
29	AGP09369051	LEVER, TRANSPORT LOCK (BLACK)		1
30	AGP09369251	ARM, TRANSPORT LOCK (BLACK)		1
31	AGP09369300	COVER, TRANSPORT LOCK		1
32	AGP09369451	PLATE, TRANSPORT LOCK POSITION (BLACK)		1
33	AGP09369551	BRKT, SPRG (BLACK)		1
34	AGP09429751	TAB, REINFORCING (BLACK)		1

AGU992501 Deck Stabilizer Arms & Belt Guards - 52" & 60"

59230100
DECK PUSHER ARM
SERVICE ASSEMBLY
INCLUDES:
(1) 09368651 - PUSHER ARM
(2) 05435900 - BUSHING

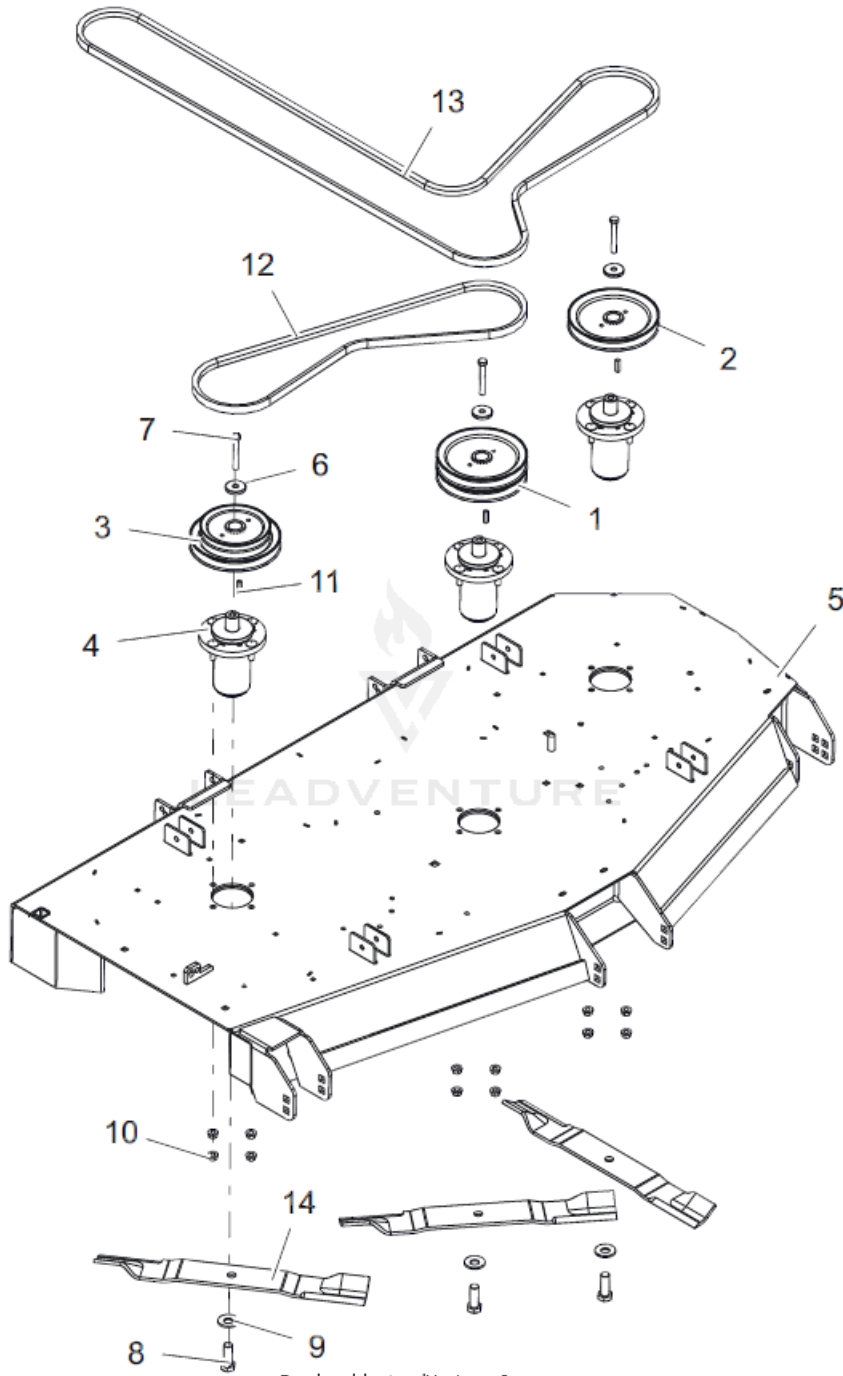


Rendered by LeadVenture, Inc.

AGU992501 Deck Stabilizer Arms & Belt Guards - 52" & 60"

Ref Number	Part Number	Part Description	Context Notes	Quantity
1	AGP09368651	WLDMT, DECK STABILIZER ARM (BLACK)		2
2	AGP05157900	PIN, MOWER MTG		2
3	AGP05275900	STUD, BALL FEMALE .250-20 THREAD		7
4	AGP05435900	BRG, .750 X .875 X 1.000		4
5	AGP05901724	BLT, HEX .38-16X1.25 G5 ZCC		2
6	AGP06200305	BLT, RHSSN.25-20X.500 G5 ZCC		9
7	AGP06200439	BTL,RHSSN .500-13 X 1.75 G5 ZCC		2
8	AGP06500821	NUT-LK-CTR-FLG .25-20 ZC120		2
9	AGP06500901	NUT-LK-CTR-FLG .375-16 GF ZCC		2
10	AGP06500902	NUT-LK-CTR-FLG .500-13 GG ZCC		2
11	AGP07500429	COUPLING, RUBBER PUSH-IN		7
12	AGP09373453	GUARD, LH DECK BELT (RED)		1
13	AGP09373553	GUARD, RH DECK BELT (RED)		1
14	AGP59230100	DECK PUSHER ARM SERVICE ASSEMBLY	Component Service Assembly	2
15	AGP09368651	WLDMT, DECK STABILIZER ARM (BLACK)	Component Service Assembly	2
16	AGP05435900	BRG, .750 X .875 X 1.000	Component Service Assembly	2

AGU992501 Deck, Belts, Blades & Spindles - 60"

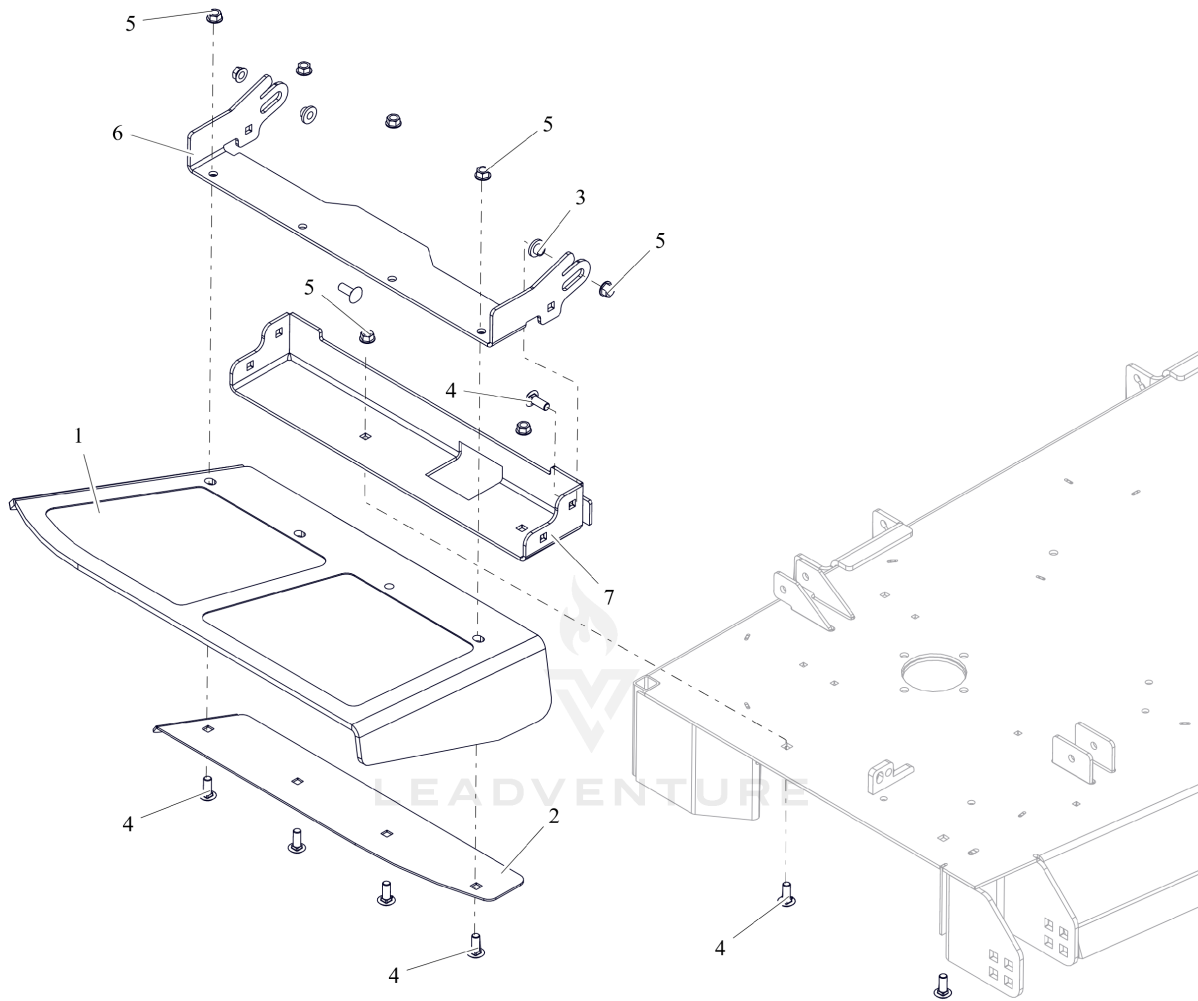


Rendered by LeadVenture, Inc.

AGU992501 Deck, Belts, Blades & Spindles - 60"

Ref Number	Part Number	Part Description	Context Notes	Quantity
1	AGP59211500	KIT-07328867 PULLEY REPLACEMENT		1
2	AGP59211600	KIT-07328967 PULLEY REPLACEMENT		1
3	AGP07340400	PULLEY, DBL-1"IDX6.75"&5.25"OD		1
4	AGP58810800	ASM, MAINT FREE ALUM SPINDLE		3
5	AGP59229700	WLDMT, 60" SIDE DISCH DECK (RED) W/ SAFETY DECALS		1
6	AGP04530500	RETAINER, SHEAVE		3
7	AGP05901813	BLT, HEX .38-16X2.75 G8 ZCC		3
8	AGP05901822	BLT, HEX .62-18X1.75 G8 ZCC		3
9	AGP06445700	WSHR-BLVL .669X1.535X.138		3
10	AGP06500901	NUT-LK-CTR-FLG .375-16 GF ZCC		1
11	AGP06611200	KEY, SQ .25X.25X1.00 RC 40-50		3
12	AGP07200038	V-BELT, B-COGGED		1
13	AGP07200712	BELT, B-SECTION EPDM RAW EDGE		1
14	AGP09081200	BLADE, MOWER (20.50")		3

AGU992501 Discharge Chute



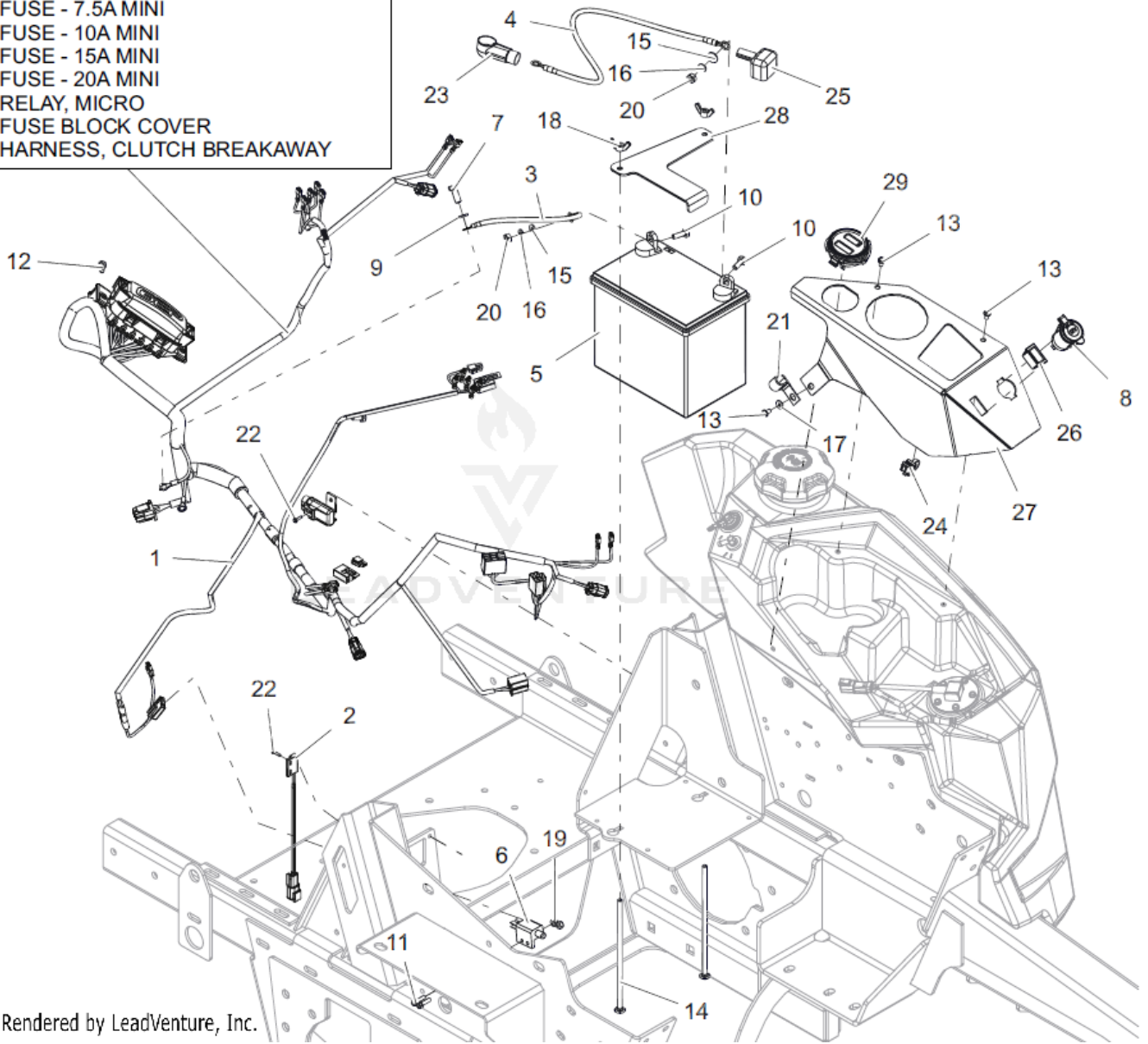
Rendered by LeadVenture, Inc.

AGU992501 Discharge Chute

Ref Number	Part Number	Part Description	Context Notes	Quantity
1	AGP04880900	CHUTE, 72" FORMED RUBBER DISCH		1
2	AGP04976153	72" DISCH CHUTE CLAMP PLT - RED		1
3	AGP05500435	BSHG-FLG .385X.500X.875X.406		2
4	AGP06200235	BLT,RHSSN .38-16X1.00 G5 ZCC		8
5	AGP06500901	NUT-LK-CTR-FLG .375-16 GF ZCC		8
6	AGP09374253	BRKT, CHUTE MTG (RED)		1
7	AGP59229900	BASE, DISCHARGE CHUTE MTG (RED) W/ SAFETY DECALS		1

AGU992501 Electrical - Kawasaki Non EFI

- SERVICE PARTS;**
09293501 - DIODE
04954200 - FUSE - 7.5A MINI
04438100 - FUSE - 10A MINI
04438200 - FUSE - 15A MINI
04438300 - FUSE - 20A MINI
04438400 - RELAY, MICRO
04504200 - FUSE BLOCK COVER
05279100 - HARNESS, CLUTCH BREAKAWAY



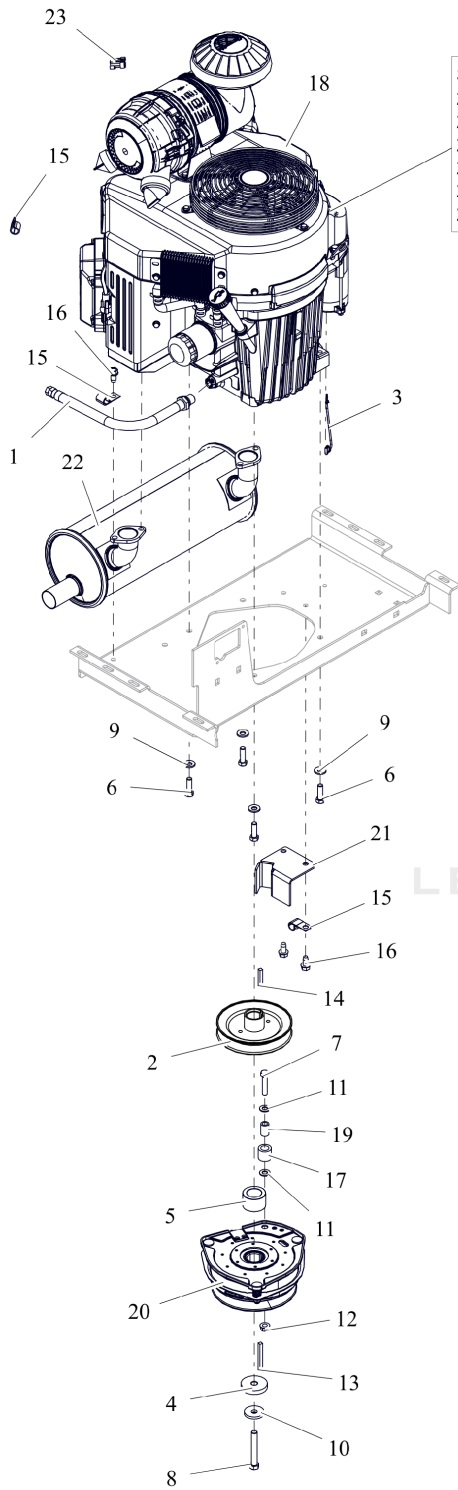
Rendered by LeadVenture, Inc.

AGU992501 Electrical - Kawasaki Non EFI

Ref Number	Part Number	Part Description	Context Notes	Quantity
1	AGP09192800	HARNESS, ELECTRICAL 421		1
2	AGP09197300	SWITCH, MAGNETIC		1
3	AGP09377300	CABLE, NEGATIVE BATTERY 11.5 LNG		1
4	AGP09377400	CABLE, POS W/(2) .312 RING 16.0 LG		1
5	AGP01554800	BATTERY, 300 CCA 10U1L		1
6	AGP03606600	SWITCH- DOUBLE POLE N.O./N.O.		1
7	AGP05901628	BLT, HEX M8-1.25X20 G8.8 ZCC		1
8	AGP04782900	PORT, 12 VOLT POWER		1
9	AGP06300119	WSHR,LK-REG .312X.078 ZCC		1
10	AGP05901716	BLT, HEX .25-20X.75 G5 ZCC		2
11	AGP05901837	BLT, HWH #10-24X.75 ZCC		2
12	AGP05902026	BLT, HEX M6-1X16 G8.8 ZCC		2
13	AGP06100211	SCR-MCH 10-24X.38 HWHSTAINLESS		3
14	AGP06200424	BTL,RHSN .250-20 X 7.5 G5 ZCC		2
15	AGP06401001	WSHR,FLT .281X.625X.065 ZCC		2
16	AGP06401009	WSHR,LK-REG .250X.062 ZCC		2
17	AGP06401029	WSHR-FL-STL .196X.50X.06 ZC120		1
18	AGP06500805	NUT, LK-WING .25-20 ZCC		2
19	AGP06500915	NUT-LK-NYL #10-24 G2 ZCC		2
20	AGP06500916	NUT-STD .250-20 G2 ZCC		2
21	AGP06916000	J-CLAMP		1
22	AGP07400205	SCR-TAP #4-40X.50 HWH ZCC		2
23	AGP07500401	BOOT, .65ID POS		1
24	AGP07500509	TIE, EC23 MOUNT W CABLE		1
25	AGP07505700	INSULATOR		1
26	AGP09003300	SWITCH,BLANK		1

Ref Number	Part Number	Part Description	Context Notes	Quantity
27	AGP09376353	PANEL, LH CONTROL (RED)		1
28	AGP09376651	HOLDDOWN, BATTERY (BLACK)		1
29	AGP09377100	DUAL METER		1
30	AGP09293501	DIODE, CONNECTOR SHELL		1
31	AGP04954200	FUSE, 7.5 AMP MINI-ATC		1
32	AGP04438100	FUSE,10 AMP MINI-ATC		1
33	AGP04438200	FUSE,15 AMP MINI-ATC		1
34	AGP04438300	FUSE,20 AMP MINI ATC		1
35	AGP04438400	RELAY,MICRO5 TERML W/RESISTOR		1
36	AGP04504200	COVER, HARNESS FUSE/RELAY MOD		1
37	AGP05279100	HARNESS, CLUTCH BREAKAWAY		1

AGU992501 Engine - Kawasaki FX1000



- SERVICE PARTS:
21548800 - AIR FILTER OUTER
21548700 - AIR FILTER INNER
21535800 - OIL FILTER
21538400 - FUEL FILTER
21536100 - SPARK PLUG (2) REQ'D
21550337 - EXHAUST GASKET (2) REQ'D



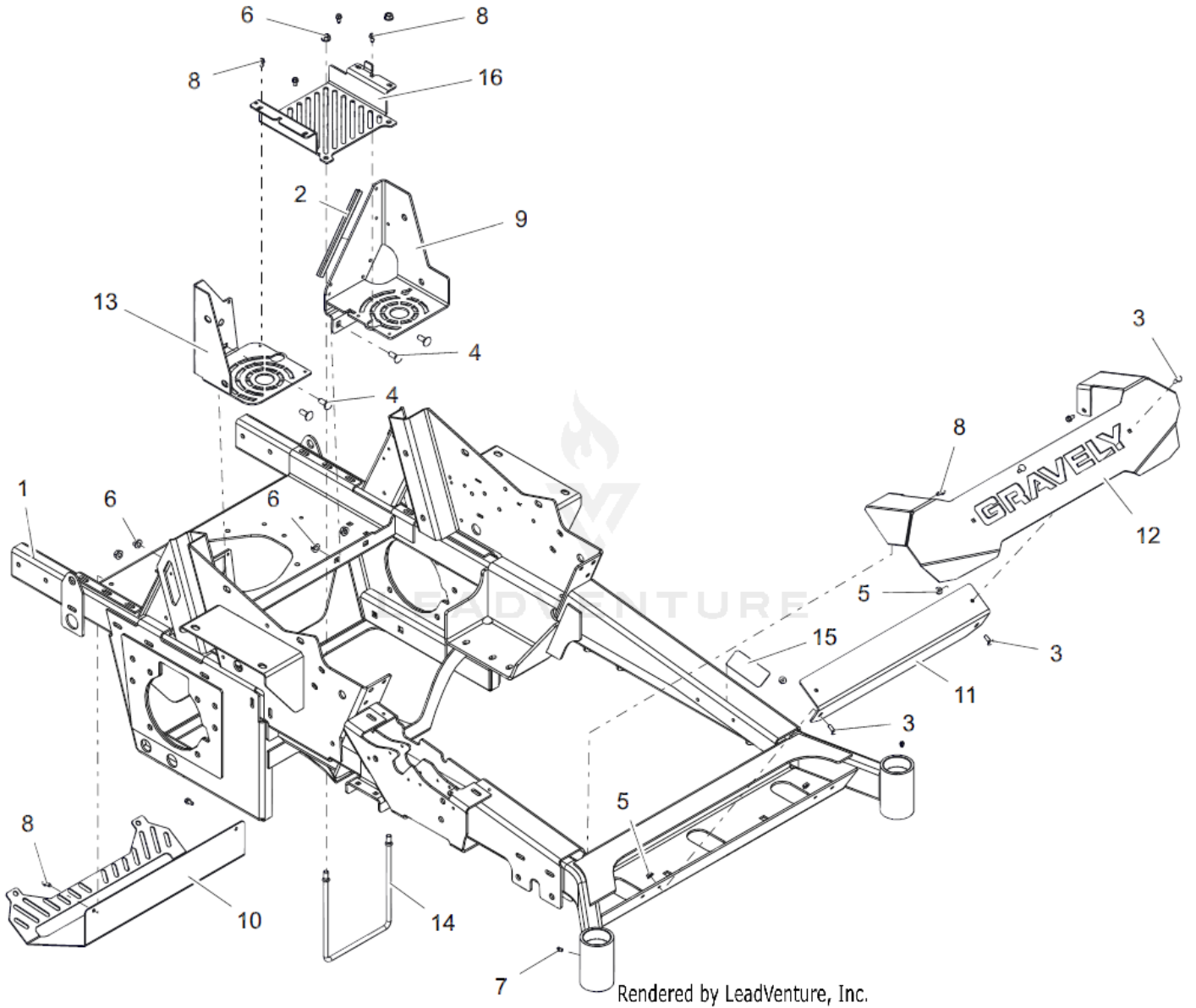
Rendered by LeadVenture, Inc.

AGU992501 Engine - Kawasaki FX1000

Ref Number	Part Number	Part Description	Context Notes	Quantity
1	AGP07001731	HOSE, OIL DRAIN		1
2	AGP09374300	WLDMT, TRANSAXLE DRIVE PULLEY		1
3	AGP03286700	LEAD - STARTER SOLENOID		1
4	AGP05501240	SPACER, .474/.459X2.00X.350		1
5	AGP05501427	SPCR, 1.125 x 1.750 x 1.147		1
6	AGP05901808	BLT, HEX .38-16X1.25 G5 ZCC NT		4
7	AGP05901809	BLT, HEX .38-16X1.75 G5 ZCC		1
8	AGP05901819	BLT, HEX 0.4375-20X3 G8 ZCC NT		1
9	AGP06400927	WASHER, 3/8" SPRING DISC		4
10	AGP06400936	WASHER, 7/16" SPRING DISK		1
11	AGP06401013	WSHR,FLT .406X.812X.065 ZCC		2
12	AGP06500901	NUT-LK-CTR-FLG .375-16 GF ZCC		1
13	AGP06602600	KEY-SQ .25 X 2.50 X .25 SAE		1
14	AGP06604300	KEY-SQ .25 X 1.50 X .25 SAE		1
15	AGP06916000	J-CLAMP		3
16	AGP07400129	SCR,TAP .375-16X.75 HWH TR ZCC		3
17	AGP07500007	BUMPER,RUBBER .62X1.0X.88 LG		1
18	AGP08201002	ENGINE - KAWASAKI FX1000		1

Ref Number	Part Number	Part Description	Context Notes	Quantity
19	AGP08833400	BUSH.,S.391X.622X.950 ST		1
20	AGP09153900	CLUTCH, OGURA GT3.5- AR04		1
21	AGP09377051	WLDMT, CLUTCH STOP (BLACK)		1
22	AGP04263000	MUFFLER - 34HP KAWASAKI VERT.		1
23	AGP07001712	CLIP, T, .38-.50		1
24	AGP21548800	FILTER, OUTER	Component Service Part	1
25	AGP21548700	FILTER, INNER - KAW	Component Service Part	1
26	AGP21535800	FILTER,OIL - KAW	Component Service Part	1
27	AGP21538400	FUEL FILTER - KAWASAKI	Component Service Part	1
28	AGP21536100	PLUG, SPARK	Component Service Part	2
29	AGP21550337	GASKET, EXHAUST (11061-7061)	Component Service Part	2

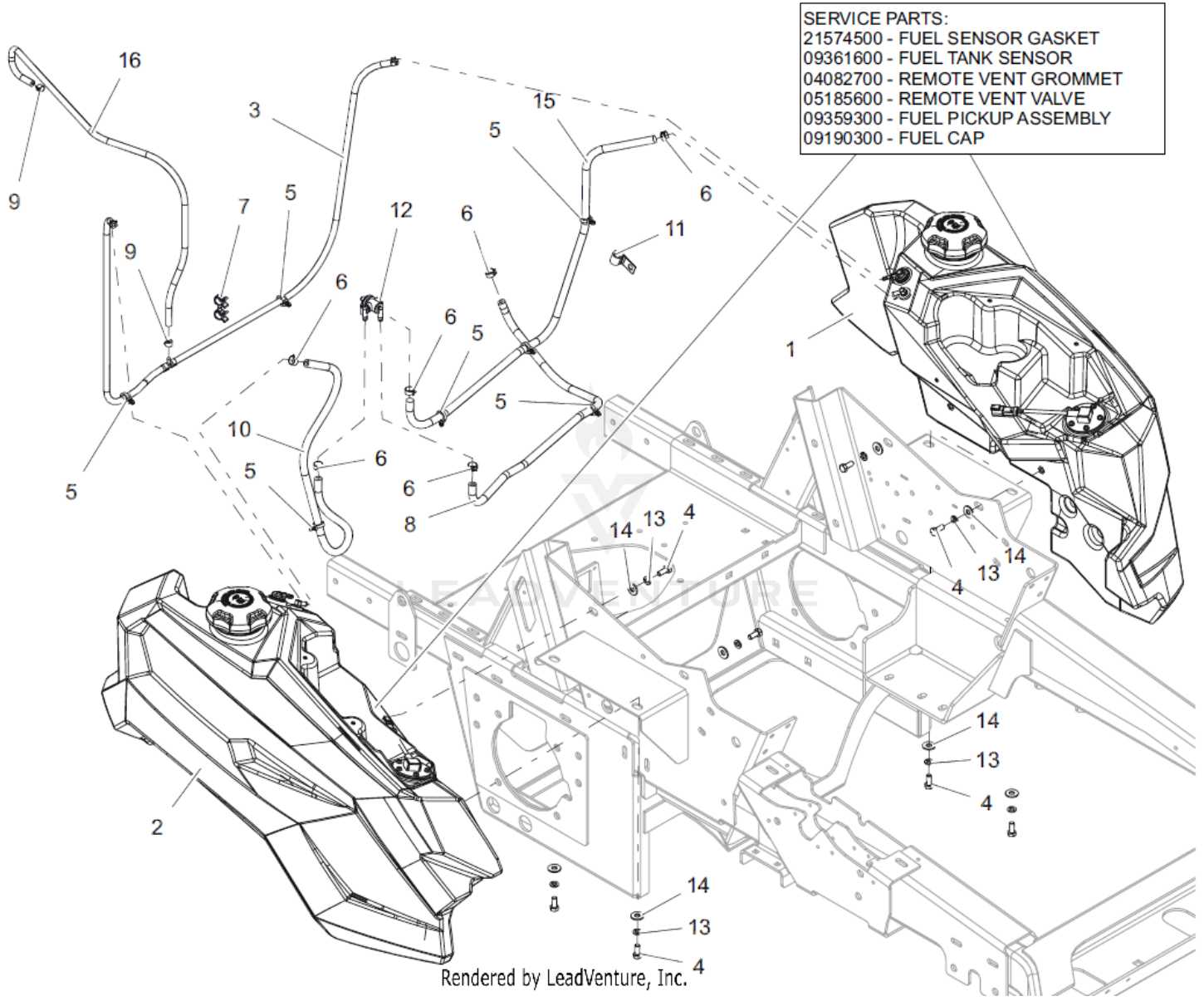
AGU992501 Frame, Front Bumper & Battery Tray - 52" & 60"



AGU992501 Frame, Front Bumper & Battery Tray - 52" & 60"

Ref Number	Part Number	Part Description	Context Notes	Quantity
1	AGP09363853	WLDMT, 48", 52", 60" FRAME (RED)		1
2	AGP09182000	MOTOR, SPINDLE-CW		1
3	AGP06200307	BLT, RHSN .25-20X.750 G5 ZCC		4
4	AGP06200313	BLT, RHSN .38-16X1.00 G5 ZCC		4
5	AGP06500821	NUT-LK-CTR-FLG .25-20 ZC120		4
6	AGP06500901	NUT-LK-CTR-FLG .375-16 GF ZCC		6
7	AGP07001727	FTG, .25-28 FLUSH MNT GREASE		2
8	AGP07400122	SCR-TAP .25-20X.50 HWH ZCC		8
9	AGP09670753	GUSSET, LH BATTERY TRAY/ROPS (RED)		1
10	AGP09375151	GUARD, MUFFLER (BLACK)		1
11	AGP09375251	BRKT, FRONT BUMPER MTG/BACKER (BLACK)		1
12	AGP09375353	BMPR, 48" 52" 60" FRONT (RED)		1
13	AGP09670853	GUSSET, RH FAN GUARD/ROPS (RED)		1
14	AGP03975800	ROD, BRAKE MTG		1
15	AGP09390700	ANTI-SKID, FRAME STEP		1
16	AGP09494753	TRAY, BATTERY (RED)		1

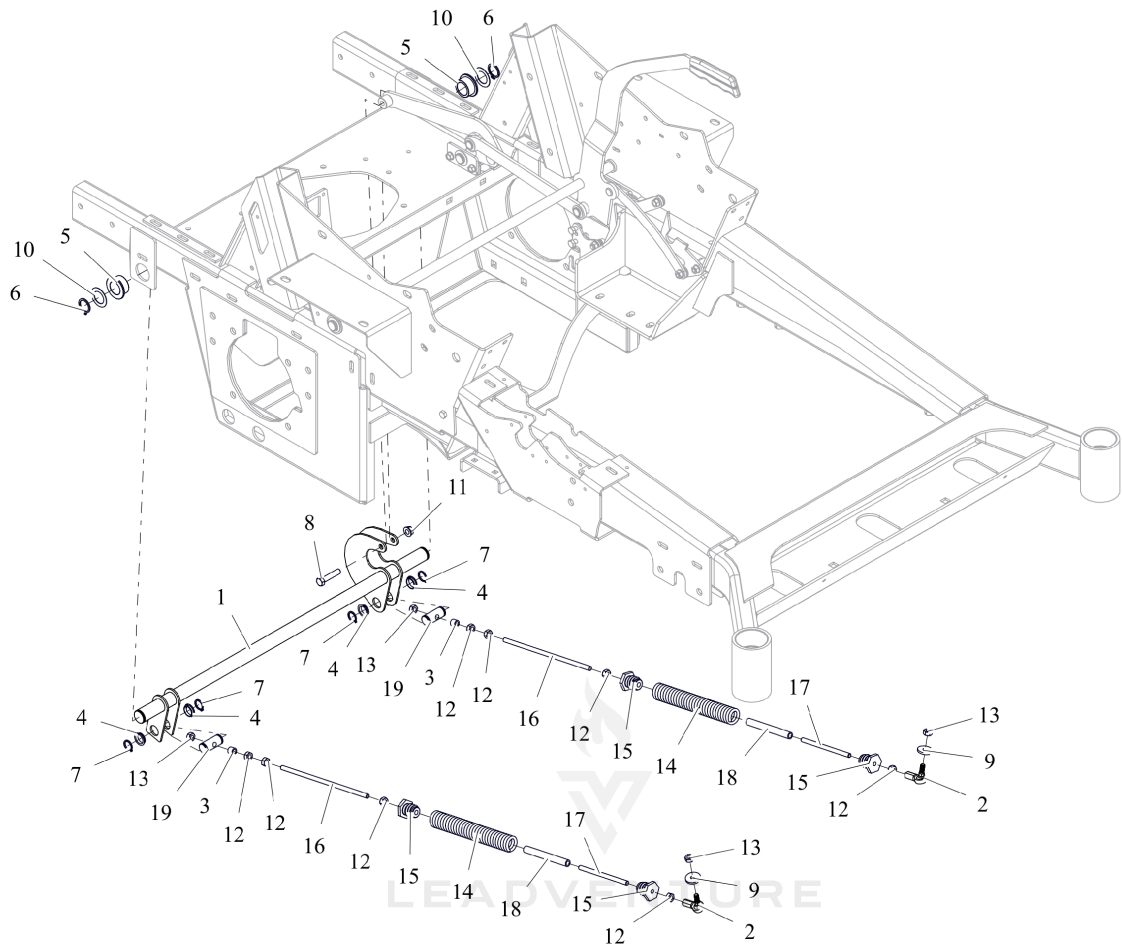
AGU992501 Fuel Tanks - Kawasaki Non-EFI



AGU992501 Fuel Tanks - Kawasaki Non-EFI

Ref Number	Part Number	Part Description	Context Notes	Quantity
1	AGP09359400	ASM, LH FUEL TANK		1
2	AGP09359500	ASM, RH 421 FUEL TANK		1
3	AGP09683500	ASM, PT300/500/600 VENT LINE		1
4	AGP05901704	BLT,HEX .31-18X.75 G5 ZCC		8
5	AGP07500515	CLIP, PUSH-IN X-MAS TREE CABLE		7
6	AGP03278800	CLAMP, FUEL LINE		6
7	AGP07500516	CLIP, 360 DEGREE SWIVEL .500 DIA HOSE		1
8	AGP03278100	1 INCH OF HOSE, .25 LOW-PERM BULK GAS		1
9	AGP04097700	CLAMP-HOSE, SPRING .188		2
10	AGP03278100	1 INCH OF HOSE, .25 LOW-PERM BULK GAS		1
11	AGP06916000	J-CLAMP		1
12	AGP09389900	VALVE, FUEL - WITH MAGNET		1
13	AGP06300119	WSHR,LK-REG .312X.078 ZCC		8
14	AGP06401023	WSHR,FLT .375X.875X.083 ZCC		8
15	AGP03278100	1 INCH OF HOSE, .25 LOW-PERM BULK GAS		1
16	AGP04745900	HOSE, .188 30R7 BULK		1
17	AGP21574500	FUEL TANK SENSOR GASKET		1
18	AGP09361600	FUEL TANK SENSOR		1
19	AGP04082700	GROMMET, REMOTE VENT NITRILE		1
20	AGP05185600	VALVE, COMBINATION VENT 3/16		1
21	AGP09359300	FUEL PICKUP ASSEMBLY		1
22	AGP09190300	CAP, FUEL - 3.50 RATCHET INLET VENT		1

AGU992501 Park Brake - Lower

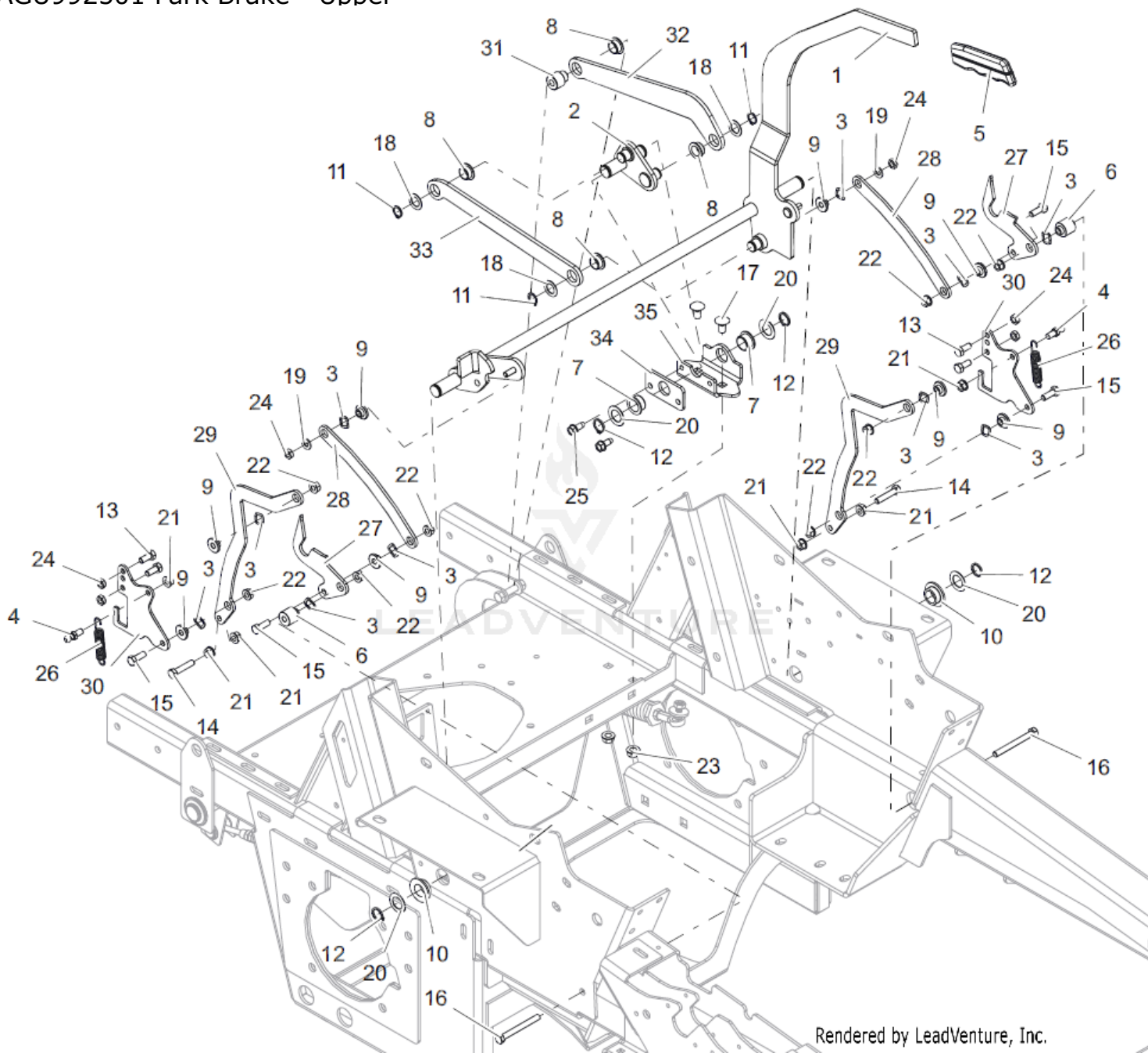


Rendered by LeadVenture, Inc.

AGU992501 Park Brake - Lower

Ref Number	Part Number	Part Description	Context Notes	Quantity
1	AGP09427400	WLDMT, BRAKE REAR PIVOT SHAFT		1
2	AGP09427800	LINKAGE, BALL JOINT .312-24 UNF RH STUD		2
3	AGP01103100	SPACER .50 X .32 X .42		2
4	AGP05500027	BSHG, POLYLINER- .75 SNAP-IN		4
5	AGP05520100	BSHG- FLG1.020X1.385X.75X1.75NY		2
6	AGP05707300	RG-RTNG-EXT 1.00X.078		2
7	AGP05714600	RG-RTNG-EXT .689X.078		4
8	AGP05901612	BLT, HEX .38-16X1.75F G5 ZCC		1
9	AGP06401104	WSHR, FLT .340X1.125X.135 ZCC		2
10	AGP06435300	WSHR-HDND-THRUST 1.00X1.55X.03		2
11	AGP06500901	NUT-LK-CTR-FLG .375-16 GF ZCC		1
12	AGP06500939	NUT, HEX-JAM .3125-24 ZCC		8
13	AGP06537000	NUT-CTRLK .31-24 YWZC		4
14	AGP08300724	SPRG, EXTENSION .063 X .653 X 2.755		2
15	AGP09426700	PLUG, SPRG		4
16	AGP09426800	ROD, TRUNNION END THREADED		2
17	AGP09426900	ROD, BALL END THREADED		2
18	AGP09427000	TUBE, GUIDE		2
19	AGP09427100	TRUNNION, BRAKE PIVOT		2

AGU992501 Park Brake - Upper



Rendered by LeadVenture, Inc.

AGU992501 Park Brake - Upper

Ref Number	Part Number	Part Description	Context Notes	Quantity
1	AGP09372267	WLDMT, PARKING BRAKE ARM (BLACK)		1
2	AGP09435100	WLDMT, BRAKE ACTIVATION PIVOT		1
3	AGP00325400	WAVE WASHER .531X.781X.125FH		10
4	AGP03652200	STUD- BALL		2
5	AGP05097200	GRIP, PARKING		1
6	AGP05501415	BUSHING FLANGED - .318X.500X.972X.875		2
7	AGP05501436	BSHG, FLANGE .750 X .875 X .5000 X 1.125		2
8	AGP05501437	BSHG, FLANGE .625 X .750 X .375 X 1.000		4
9	AGP05514800	BSHG-FLG .32X.500X.344X.880		8
10	AGP05525200	BSHG-FLG .762X1.48X.44 NYL		2
11	AGP05709200	RG-RTNG-EXT .625X.050		3
12	AGP05714600	RG-RTNG-EXT .689X.078		4
13	AGP05901704	BLT,HEX .31-18X.75 G5 ZCC		4
14	AGP05901710	BLT, HEX .31-18X1.50 G5 ZCC		2
15	AGP05901801	BLT, HEX .31-18X.875 G5 ZCC		4
16	AGP05901933	BLT, HEX .31-18X3.00 G5 ZCC		2
17	AGP06200312	BLT, RHSN .38-16X.750 G5 ZCC		2
18	AGP06400009	WSHR-THRST .625 X 1.0 X .03		3
19	AGP06401017	WSHR,FLT .344X.688X.065 ZCC		2
20	AGP06413400	WSHR-HDND-THRST .758X1.23X.031		4
21	AGP06500815	NUT,SPNLK-FLG .31-18 G5 ZCC		6
22	AGP06500840	NUT,LK-CTR-FLG .31-18 GF ZCC		8
23	AGP06500901	NUT-LK-CTR-FLG .375-16 GF ZCC		2
24	AGP06500913	NUT-LK-CTR-JAM .312-18 GB ZCC		6
25	AGP07400127	SCR,TAP .312-18X.75 HWH TR ZCC		2

Ref Number	Part Number	Part Description	Context Notes	Quantity
26	AGP08300516	SPRING,EXT,.061X.50X3.0		2
27	AGP09372951	BRKT, BRAKE - RTN (BLACK)		2
28	AGP09373051	BRKT, LINK - BREAK RTN (BLACK)		2
29	AGP09373151	BRKT, LINK - SPEED CONTROL HTG		2
30	AGP09373251	BRKT, SPEED - HTG (BLACK)		2
31	AGP09429800	SPCR,		1
32	AGP09429900	LINK, BRAKE ACTIVATION REAR		1
33	AGP09435000	LINK, BRAKE ACTIVATING FRONT		1
34	AGP09435200	PLATE, BSHG MOUNTING		1
35	AGP09435300	BRKT, BSHG MTG		1

AGU992501 Quick Reference Service Parts



LEADVENTURE

GENUINE

OEM PARTS

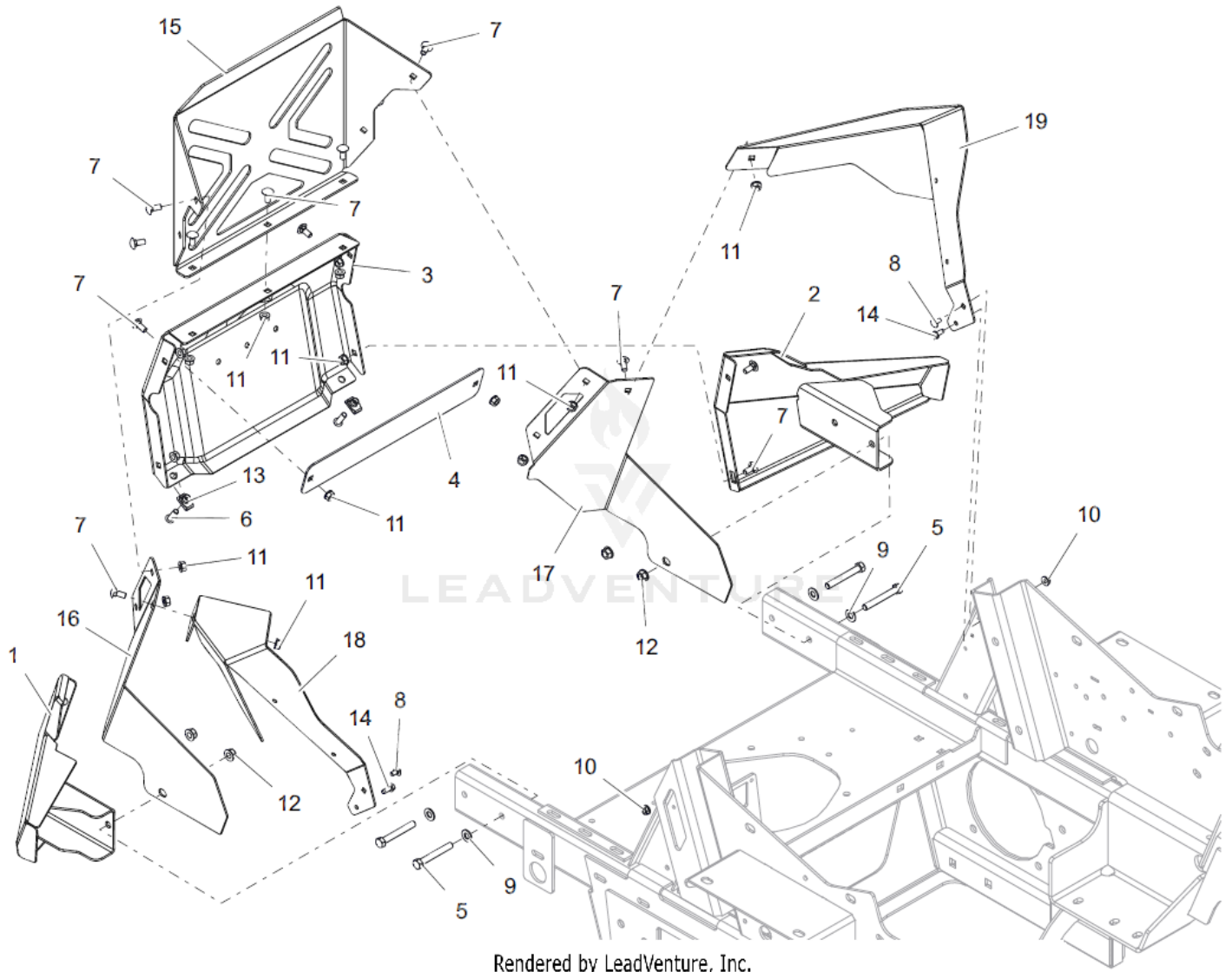
Rendered by LeadVenture, Inc.

AGU992501 Quick Reference Service Parts

Ref Number	Part Number	Part Description	Context Notes	Quantity
	AGA707216	KIT- TUNE UP-KAWASAKI	Engine Maintenance Kit, Includes 2 Quarts of Gravelly 10W40 Oil, OEM Oil Filter, OEM Fuel Filter, OEM Inner Air Filter, OEM Outer Air Filter, 2 Spark Plugs	1
	AGP21535800	FILTER,OIL - KAW	Engine Oil Filter	1
	AGP21548800	FILTER, OUTER	Air Filter	1
	AGP21548101	FUEL FILTER-KAWASAKI FR	Fuel Filter	1
	AGP21536100	PLUG, SPARK	Spark Plug	2
	AGP09287000	KEY, W/ SHIELD	Ignition Key	1
	AGP04730300	ETHANOL TREATMENT-4 OZ-GRAVELY	Fuel Treatment	1
	AGP00076900	OIL, 32OZ BOTTLE GRAVELY 10W30	Engine Oil (32 OZ Bottle)	2
	AGP00099700	OIL- BOTTLE-GRAVELY 10W40 32OZ	Engine Oil (32 OZ Bottle)	2
	AGP00058300	OIL- GRAVELY 20W50 ENGINE BLND	Engine Oil (32 OZ Bottle) For Use In Warmer Temperatures	2
	AGP06900630	CABLE, PRO-CTRL 53.00"	Throttle Cable	1
	AGP06900729	CABLE, CHOKE (SNAP IN)	Choke Cable	1
	AGA707241	KIT, HTG TRANSAXLE OIL/FILTERS	Transmission Kit, Includes 2 Oil Filters, 2 Gallons of Oil, 2 Crushed Washers, and 2 Drain Plugs	1
	AGP21545028	TRANSMISSION OIL FILTER	Transmission Oil Filter	1
	AGP00058500	OIL, PARKER, HT-1000 QUART	Transmission Fluid (1 Quart)	8
	AGP00058400	OIL- PARKER-HT-1000 GALLON	Transmission Fluid (1 Gallon)	2

Ref Number	Part Number	Part Description	Context Notes	Quantity
	AGP07200901	V-BELT, HB RAW COGGED	Transaxle Belt (Engine Pulley to Transaxles)	1
	AGP07200712	BELT, B- SECTION EPDM RAW EDGE	PTO Belt (Clutch to Spindle Pulleys)	1
	AGP07200038	V-BELT, B- COGGED	Deck Belt (Center Spindle Pulley to Right Spindle Pulley)	1
	AGP58810800	ASM, MAINT FREE ALUM SPINDLE	Deck Spindle	3
	AGP09081200	BLADE, MOWER (20.50")	Standard Blade	3
	AGP04887700	BLADE, 60" MULCH	Mulching Blade	3
	AGP09652900	BLADE- 20.5" .25" THK TOOTHED	Toothed Gator Blade	3
	AGA715174	KIT, DBL WHEEL ANTI- SCALP 5X3	Double wheel anti-scalp wheel kit includes two anti-scalp wheels and the necessary hardware	1
	AGP07100905	TYRE, 15X6-6 SMOOTH	Front Tire	2
	AGP07140200	TUBE 15X6-6	Front Tire Tube	2
	AGP07101402	TIRE, 26 X 12.00-16	Rear Tire	2
	AGP07101528	TUBE, 26X12- 16 TIRE	Rear Tire Tube	2
	AGP05139700	PAINT- TOUCH UP - P47 CHARCOAL	Touch up Paint	1
	AGP00026600	PAINT - GRAVELY RED - TOUCH UP	Touch up Paint	1
	AGP05139600	PAINT- SPRAY - P47 CHARCOAL	Spray Paint	1
	AGP00008700	GRAVELY RED SPRAY PAINT ENAMEL	Spray Paint	1

AGU992501 Rear Bumper

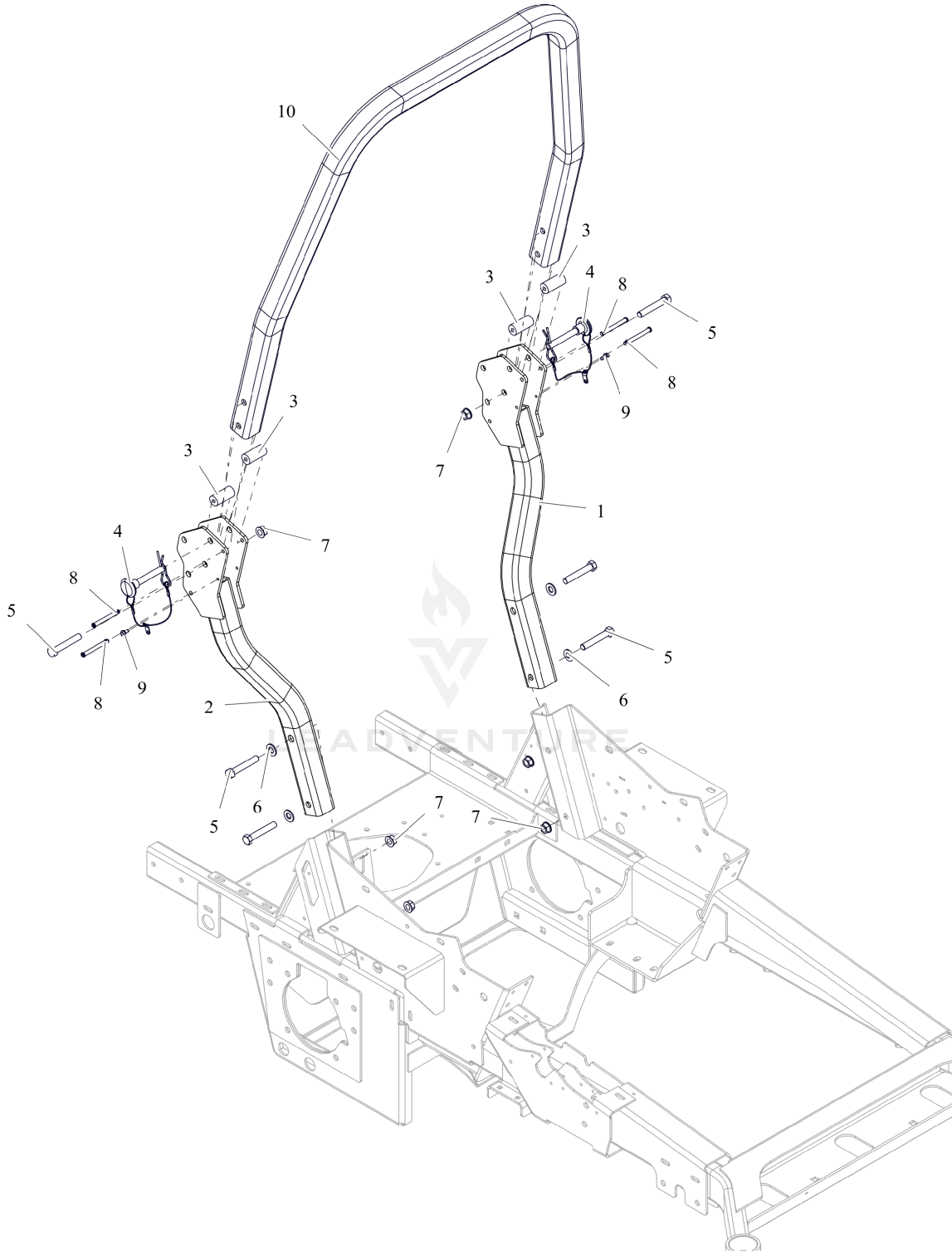


Rendered by LeadVenture, Inc.

AGU992501 Rear Bumper

Ref Number	Part Number	Part Description	Context Notes	Quantity
1	AGP59229200	WLDMT, RIGHT REAR BUMPER WING (RED) W/ SAFETY DECALS		1
2	AGP59229300	WLDMT, LEFT REAR BUMPER WING (RED) W/ SAFETY DECALS		1
3	AGP04863453	BUMPER, COMMERCIAL REAR		1
4	AGP04894851	PLATE, BACKER (BLACK)		1
5	AGP05901611	BLT, HEX .38-16X2.75 G5 ZCC		4
6	AGP05901840	BLT,SHCS-BTN .31-18X1.00 ZCC		2
7	AGP06200232	BLT,RHSN .31-18X.75 G5 ZCC		1
8	AGP06200305	BLT, RHSSN.25-20X.500 G5 ZCC		2
9	AGP06401013	WSHR,FLT .406X.812X.065 ZCC		4
10	AGP06500821	NUT-LK-CTR-FLG .25-20 ZC120		2
11	AGP06500840	NUT,LK-CTR-FLG .31-18 GF ZCC		1
12	AGP06500901	NUT-LK-CTR-FLG .375-16 GF ZCC		4
13	AGP07000829	NUT-CLIP RETAINER 5/16-18X.56		2
14	AGP07400135	SCR,TAP .25-20X.625 HWH ZCC		2
15	AGP09367251	WRAP, REAR - CENTER (BLACK)		1
16	AGP09367353	WRAP, REAR - RH (RED)		1
17	AGP09367453	WRAP, REAR LH (RED)		1
18	AGP09367553	WRAP, SIDE - RH (RED)		1
19	AGP09367653	WRAP, SIDE - LH (RED)		1

AGU992501 ROPS

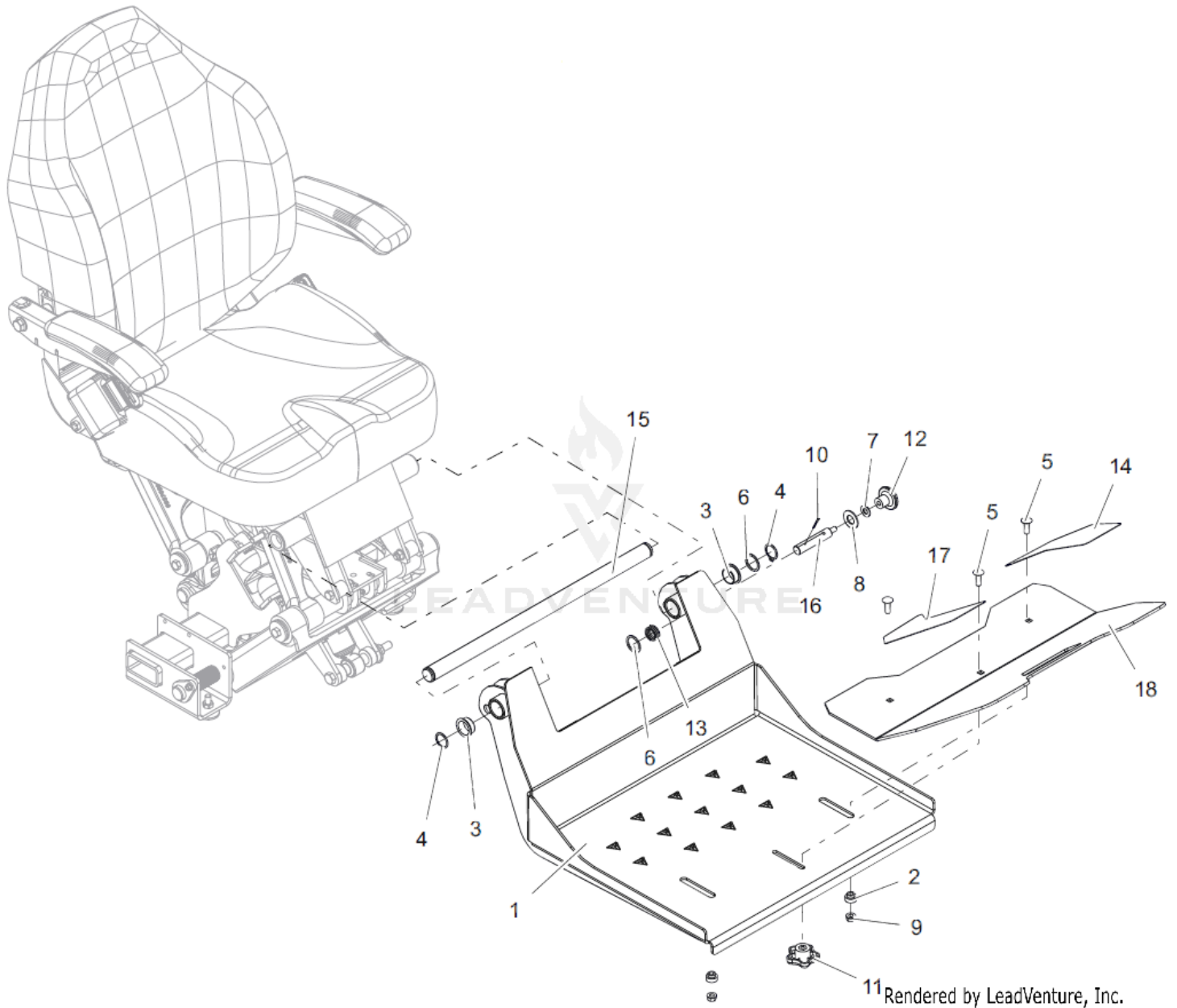


Rendered by LeadVenture, Inc.

AGU992501 ROPS

Ref Number	Part Number	Part Description	Context Notes	Quantity
1	AGP59229400	WLDMT, LH ROPS MOUNTING W/ SAFETY DECAL		1
2	AGP59229500	WLDMT, RH ROPS POST W/ SAFETY DECAL		1
3	AGP04884200	BUMPER, ROPS ANTI-VIBRATION		4
4	AGP04898200	PIN, ROPS W/LANYARD		2
5	AGP05901737	BLT, HEX .50-13X3.00 G5 ZCC		6
6	AGP06401015	WSHR,FLT .531X1.062X.095 ZCC		4
7	AGP06500902	NUT-LK-CTR-FLG .500-13 GG ZCC		6
8	AGP07001826	PIN, SLIC .312 X 2.570		4
9	AGP07400122	SCR-TAP .25-20X.50 HWH ZCC		2
10	AGP09186900	HOOP, ROPS		1

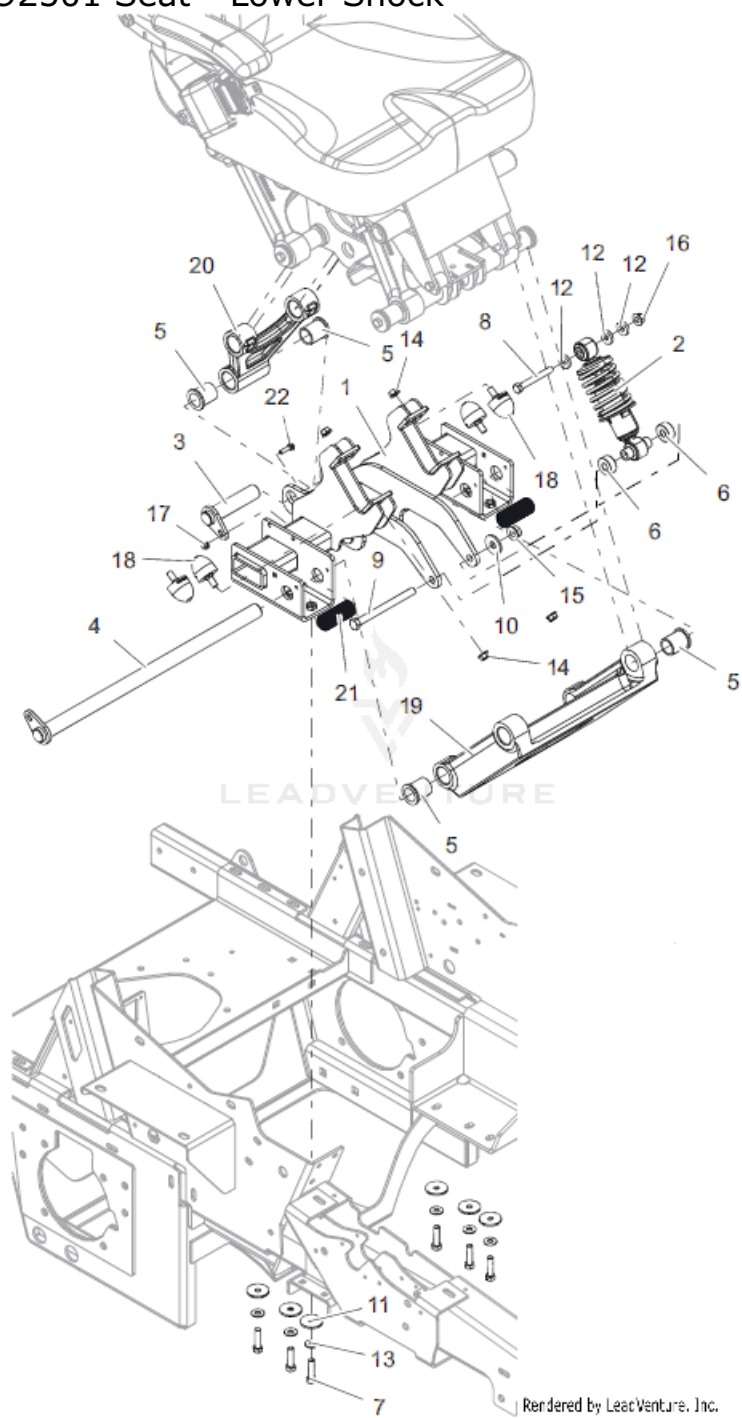
AGU992501 Seat - Footrest



AGU992501 Seat - Footrest

Ref Number	Part Number	Part Description	Context Notes	Quantity
1	AGP59230300	WLDMT, FOOTREST W/ SAFETY		1
2	AGP05501114	SPCR, BRG .315X.500X.481X.281		2
3	AGP05501124	BSHG-FLG 1.0X1.125X.50X1.375 R		2
4	AGP05706200	RG-RTNG-EXT 1.00X.042		2
5	AGP06200237	BLT,RHSSN .31-18X1.00 G5 ZCC		3
6	AGP06401134	WSHR-FL-STL 1.01X1.25X0.068 ZCC		2
7	AGP06401013	WSHR,FLT .406X.812X.065 ZCC		1
8	AGP06401006	WSHR-FL-STL 0.649X1.305X0.074 Raw		1
9	AGP06500840	NUT,LK-CTR-FLG .31-18 GF ZCC		2
10	AGP06700200	PIN-COTR .09X1.0 PL		1
11	AGP07500240	KNOB, LOCKING 5/16-18 UNC		1
12	AGP07539900	KNOB, PUSH-PULL .312-18		1
13	AGP08329100	SG-COMP .085X.80X1.00 WLD36		1
14	AGP09370900	ANTI-SKID, LH FOOTREST		1
15	AGP09376500	SHAFT, PIVOT		1
16	AGP09385400	PIN, FOOTREST LOCK-UP		1
17	AGP09390700	ANTI-SKID, FRAME STEP		1
18	AGP09229000	FOOTREST, ADJUSTABLE (RED) W/ SAFETY DECAL		1

AGU992501 Seat - Lower Shock



Rendered by Leadventure, Inc.

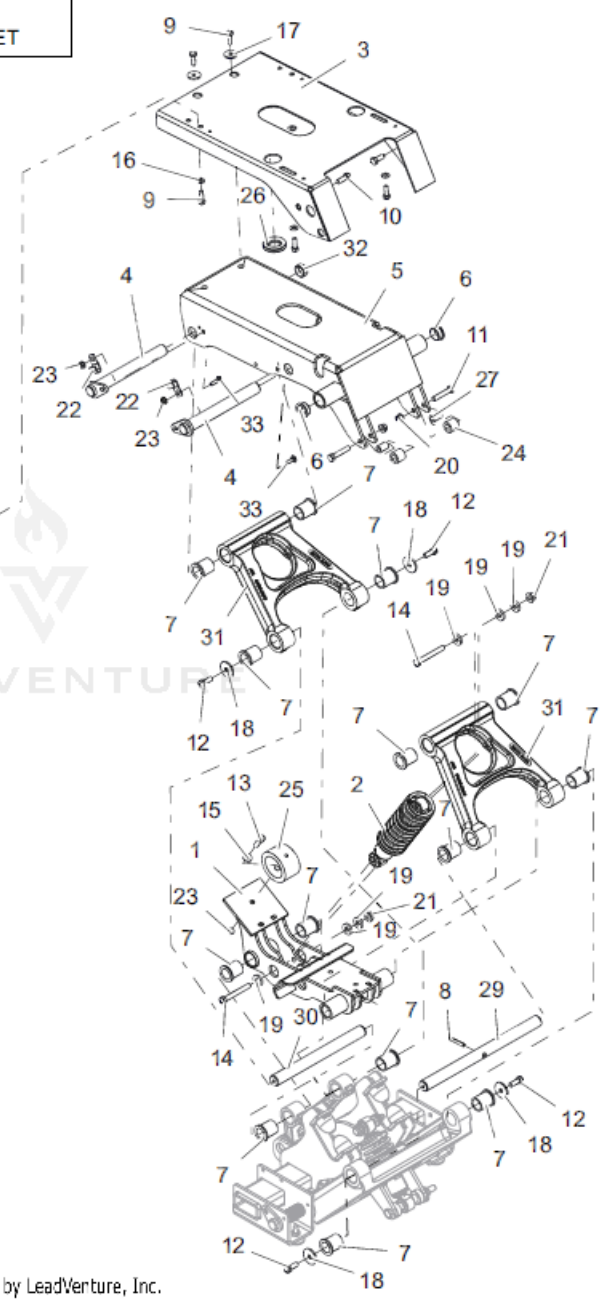
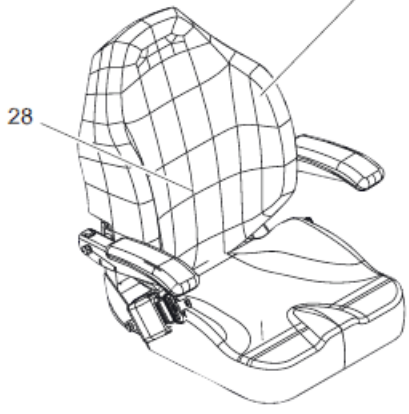
AGU992501 Seat - Lower Shock

Ref Number	Part Number	Part Description	Context Notes	Quantity
1	AGP09375053	WLDMT, SUSPENSION MTG (RED)		1
2	AGP09376000	SHOCK, LOWER - TENNECO		1
3	AGP09461453	WLDMT, LOWER REAR PIVOT SHAFT (RED)		1
4	AGP09461553	WLDMT, LOWER FRONT PIVOT SHAFT (RED)		1
5	AGP05501424	BEARING, SINTERED BRONZE FLANGE		4
6	AGP05501425	SPCR, .400 x 1.250 x .513		2
7	AGP05902104	BLT, HEX 0.375-16X1.5 GR8 ZCC		6
8	AGP05902110	BLT,HEX M10-1.5X80 G10.9 ZCC		1
9	AGP05902113	BLT,HEX M12-1.75X140 G10.9 ZCC		1
10	AGP06401022	WSHR-FL-STL.511X1.44X.125ZC120		1
11	AGP06401106	WSHR, FLT .380X1.50X.125 ZCC		6
12	AGP06401108	WSHR, FLT .406X1.00X.188 ZCC		3
13	AGP06401138	WSHR, HDND 0.375X0.875X0.064 ZCC		6
14	AGP06500901	NUT-LK-CTR-FLG .375-16 GF ZCC		4
15	AGP06501010	NUT, FLG-CTR LK M12-1.75 ZCC		1
16	AGP06501011	NUT, FLG-CTR LK M10-1.50 ZCC		1
17	AGP06500821	NUT-LK-CTR-FLG .25-20 ZC120		1
18	AGP07500436	BUMPER, CONICAL		4
19	AGP09376700	MACHINED, FRONT LOWER LINK		1

Ref Number	Part Number	Part Description	Context Notes	Quantity
20	AGP09376900	MACHINED, REAR LOWER LINK		1
21	AGP09449600	SLEEVE, SHAFT		2
22	AGP06200402	BLT, RHSN .25-20X1.00 G5 ZCC		1

AGU992501 Seat - Upper Shock

SERVICE PARTS:
02754100 - SEAT SWITCH
21552000 - LH ARMREST PAD
21560900 - RH ARMREST PAD
21558000 - RH ARMREST ASM
21558100 - LH ARM REST ASM
21558200 - RH & LH ARMREST ASM SET



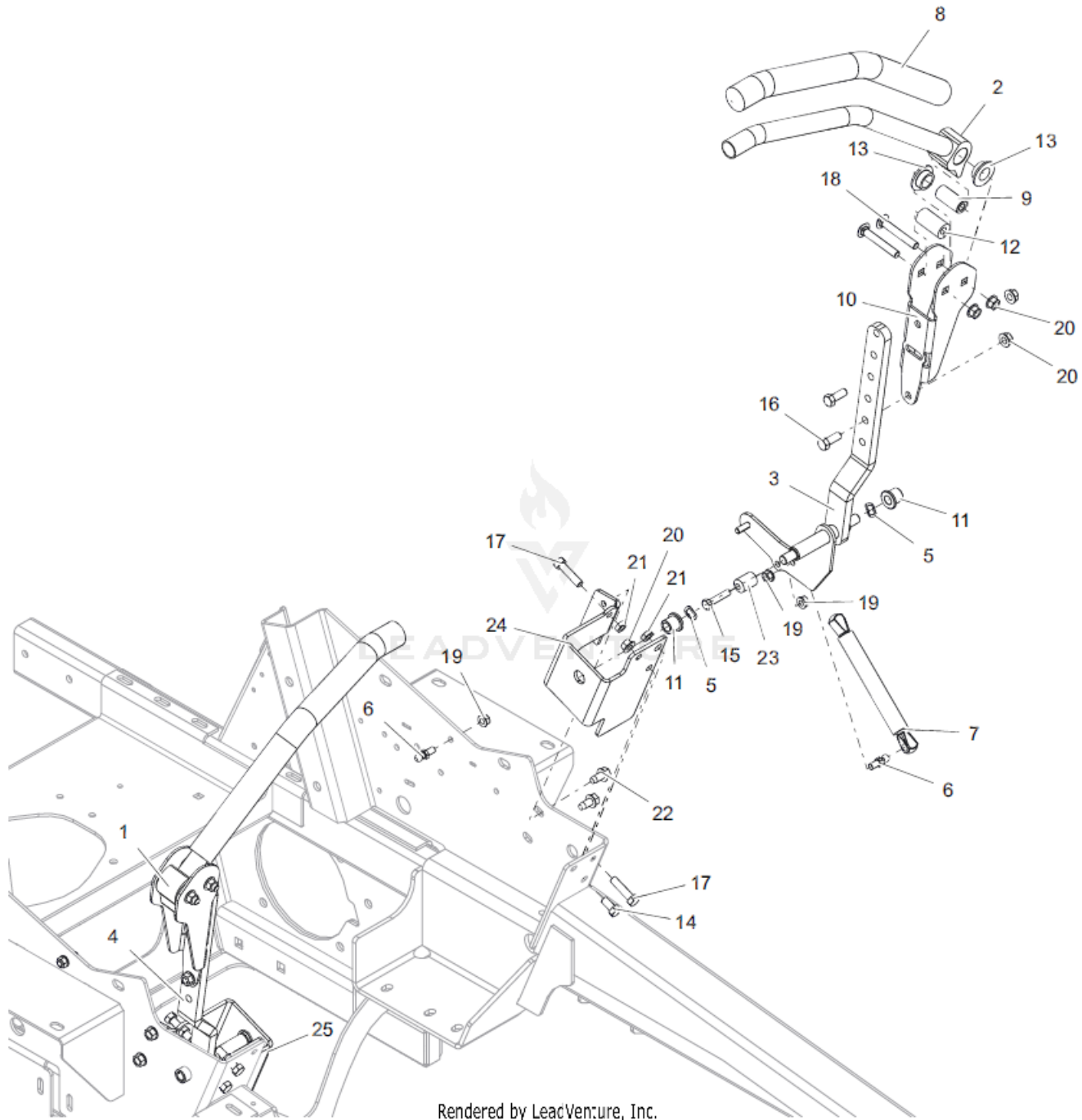
Rendered by LeadVenture, Inc.

AGU992501 Seat - Upper Shock

Ref Number	Part Number	Part Description	Context Notes	Quantity
1	AGP09372451	MACHINED, SUSPENSION MID LINK (BLACK)		1
2	AGP09375900	SHOCK, UPPER - TENNECO		1
3	AGP09671953	WLDMT, SEAT MOUNT (RED)		1
4	AGP09461653	WLDMT, UPPER PIVOT SHAFT (RED)		2
5	AGP59228900	WLDMT, SEAT MOUNTING SUPPORT (RED) W/ SAFETY DECALS		1
6	AGP05501124	BSHG-FLG 1.0X1.125X.50X1.375 R		2
7	AGP05501424	BEARING, SINTERED BRONZE FLANGE		14
8	AGP05803700	PIN-ROLL .250X1.75		1
9	AGP05901701	BLT,HEX .31-18X1.00 G5 ZCC		6
10	AGP05901711	BLT,HEX .375-16X1 GR5 ZC120		2
11	AGP05901718	BLT,HEX .38-16X2.00 G5 ZCC		2
12	AGP05901721	BLT, HEX .38-16X1.00 G8ZCCEP30		4
13	AGP05901724	BLT, HEX .38-16X1.25 G5 ZCC		1
14	AGP05902110	BLT,HEX M10-1.5X80 G10.9 ZCC		2
15	AGP06401013	WSHR,FLT .406X.812X.065 ZCC		1
16	AGP06401017	WSHR,FLT .344X.688X.065 ZCC		4
17	AGP06401104	WSHR, FLT .340X1.125X.135 ZCC		2
18	AGP06401106	WSHR, FLT .380X1.50X.125 ZCC		4
19	AGP06401108	WSHR, FLT .406X1.00X.188 ZCC		6
20	AGP06500901	NUT-LK-CTR-FLG .375-16 GF ZCC		2

Ref Number	Part Number	Part Description	Context Notes	Quantity
21	AGP06501011	NUT, FLG-CTR LK M10-1.50 ZCC		2
22	AGP06909400	J-CLAMP		2
23	AGP06500821	NUT-LK-CTR-FLG .25-20 ZC120		3
24	AGP07500007	BUMPER,RUBBER .62X1.0X.88 LG		2
25	AGP07500435	BUMPER, RADIAL (GBR)		1
26	AGP07536800	GROMMET 1.25ID X 1.5OD		1
27	AGP08833400	BUSH.,S.391X.622X.950 ST		2
28	AGP09364200	SEAT, PT600		1
29	AGP09375700	SHAFT, PIVOT		1
30	AGP09375800	SHAFT, PIVOT		1
31	AGP09376800	MACHINED, UPPER LINK		2
32	AGP09385200	CAP, 1.000 ID X .375 DEEP		1
33	AGP06200402	BLT, RHSN .25-20X1.00 G5 ZCC		2
34	AGP02754100	SWITCH- SNAP MTG N.O.	Component Service Part	1
35	AGP21552000	PAD, ARMREST	Component Service Part	1
36	AGP21560900	PAD, ARMREST (HARD)	Component Service Part	1
37	AGP21558000	ARMREST, RH ASSEMBLY	Component Service Part	1
38	AGP21558100	ARMREST, LH ASSEMBLY	Component Service Part	1
39	AGP21558200	SET, RH & LH ARMREST ASSEMBLY	Component Service Part	1

AGU992501 Steering Controls



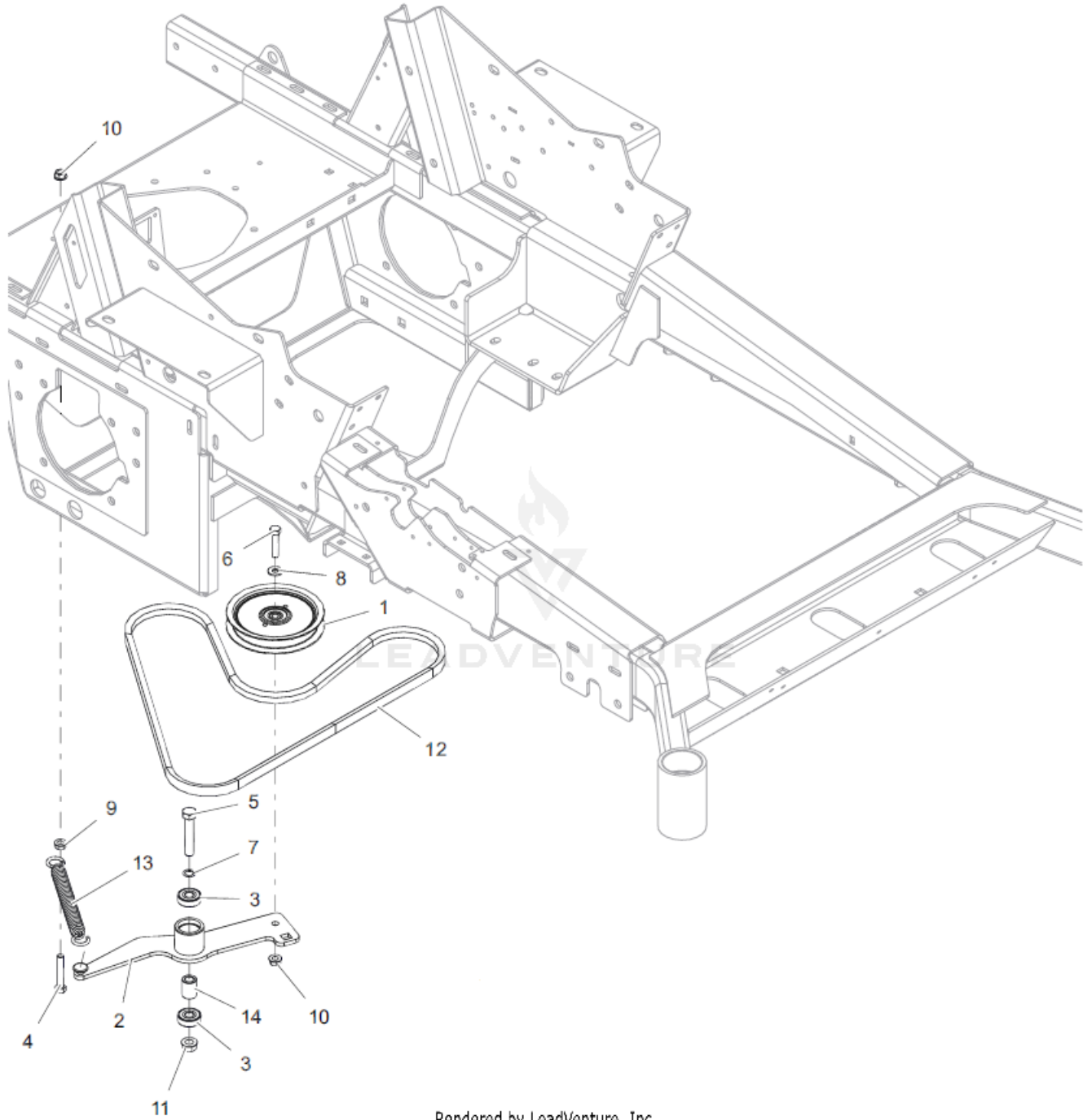
Rendered by Leadventure, Inc.

AGU992501 Steering Controls

Ref Number	Part Number	Part Description	Context Notes	Quantity
1	AGP05261853	WLDMT, CONTROL HANDLE (RED)		1
2	AGP05262153	WLDMT, CONTROL HANDLE (RED)		1
3	AGP09371853	WLDMT, LH LOWER CONTROL ARM (RED)		1
4	AGP09371953	WLDMT, RH LOWER CONTROL ARM (RED)		1
5	AGP00325400	WAVE WASHER .531X.781X.125FH		4
6	AGP03652200	STUD- BALL		4
7	AGP03769800	DAMPER		2
8	AGP04383600	GRIP, HANDLEBAR		2
9	AGP04413600	SPACER, STEERING ARM		2
10	AGP05068753	BRKT, ADJ UPPER CONTROL ARM (RED)		2
11	AGP05501001	BHSG-FLG .500X.750X.750X.125		4
12	AGP05501223	BSHG, ECCENTRIC.406X.875X1.625		2
13	AGP05525200	BSHG-FLG .762X1.48X.44 NYL		4
14	AGP05901702	BLT,HEX .38-16X.75 G5 ZCC		2
15	AGP05901710	BLT, HEX .31-18X1.50 G5 ZCC		2
16	AGP05901711	BLT,HEX .375-16X1 GR5 ZC120		4
17	AGP05902114	BLT, HEX 0.375-16X1.5FULL G5 ZCC		4
18	AGP06200315	BLT, RHSSN.38-16X2.50 G5 ZCC		4
19	AGP06500840	NUT,LK-CTR-FLG .31-18 GF ZCC		6
20	AGP06500901	NUT-LK-CTR-FLG .375-16 GF ZCC		10
21	AGP06500910	NUT-JAM .375-16 G2 ZCC		4

Ref Number	Part Number	Part Description	Context Notes	Quantity
22	AGP07400129	SCR,TAP .375-16X.75 HWH TR ZCC		4
23	AGP09235700	ECCENTRIC		2
24	AGP09372653	BRKT, CONTROL ARM - LEFT (RED)		1
25	AGP09372753	BRKT, CONTROL ARM - RIGHT (RED)		1

AGU992501 Transaxle Drive

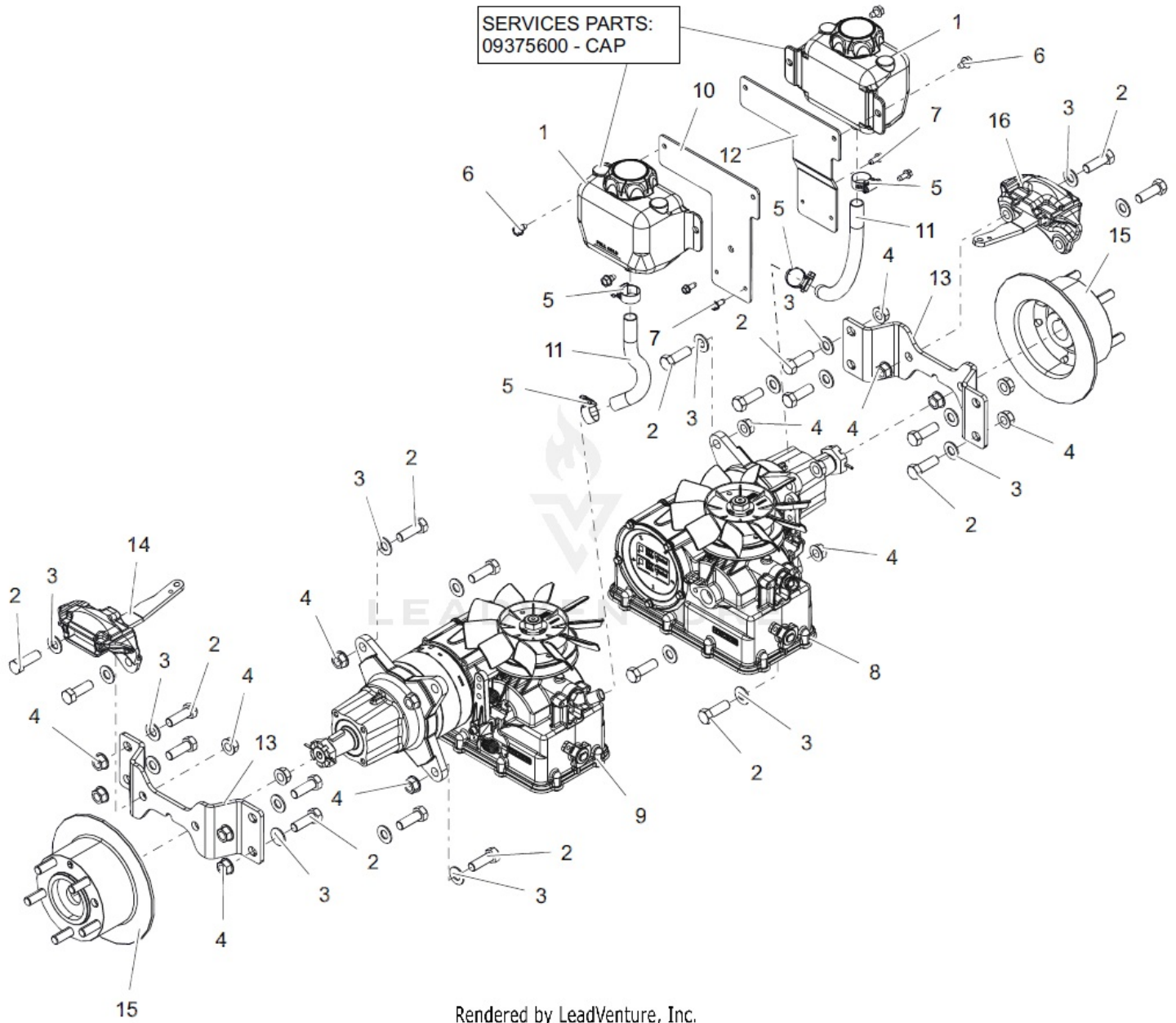


Rendered by LeadVenture, Inc.

AGU992501 Transaxle Drive

Ref Number	Part Number	Part Description	Context Notes	Quantity
1	AGP07334500	IDLER, FLAT-5.00X.75		1
2	AGP09374500	WLDMT, TRANSAXLE DRIVE IDLER ARM		1
3	AGP05408000	BRG-BALL .500X1.38X.437		2
4	AGP05901640	BLT,HEX .38-16X2.25 G5 ZCC		1
5	AGP05901720	BLT,HEX .50-13X2.75 G5 ZCC		1
6	AGP05901809	BLT, HEX .38-16X1.75 G5 ZCC		1
7	AGP06400015	WASHER, .500X.750X.020 THRUST		1
8	AGP06401023	WSHR,FLT .375X.875X.083 ZCC		1
9	AGP06500735	NUT, SPNLK-FLG .38-16 G5 ZCC		1
10	AGP06500901	NUT-LK-CTR-FLG .375-16 GF ZCC		2
11	AGP06500902	NUT-LK-CTR-FLG .500-13 GG ZCC		1
12	AGP07200901	V-BELT, HB RAW COGGED		1
13	AGP08300728	SPRING- EXTENSION		1
14	AGP09357700	SPACER .510 X .75 X 1.1485		1

AGU992501 Transaxles

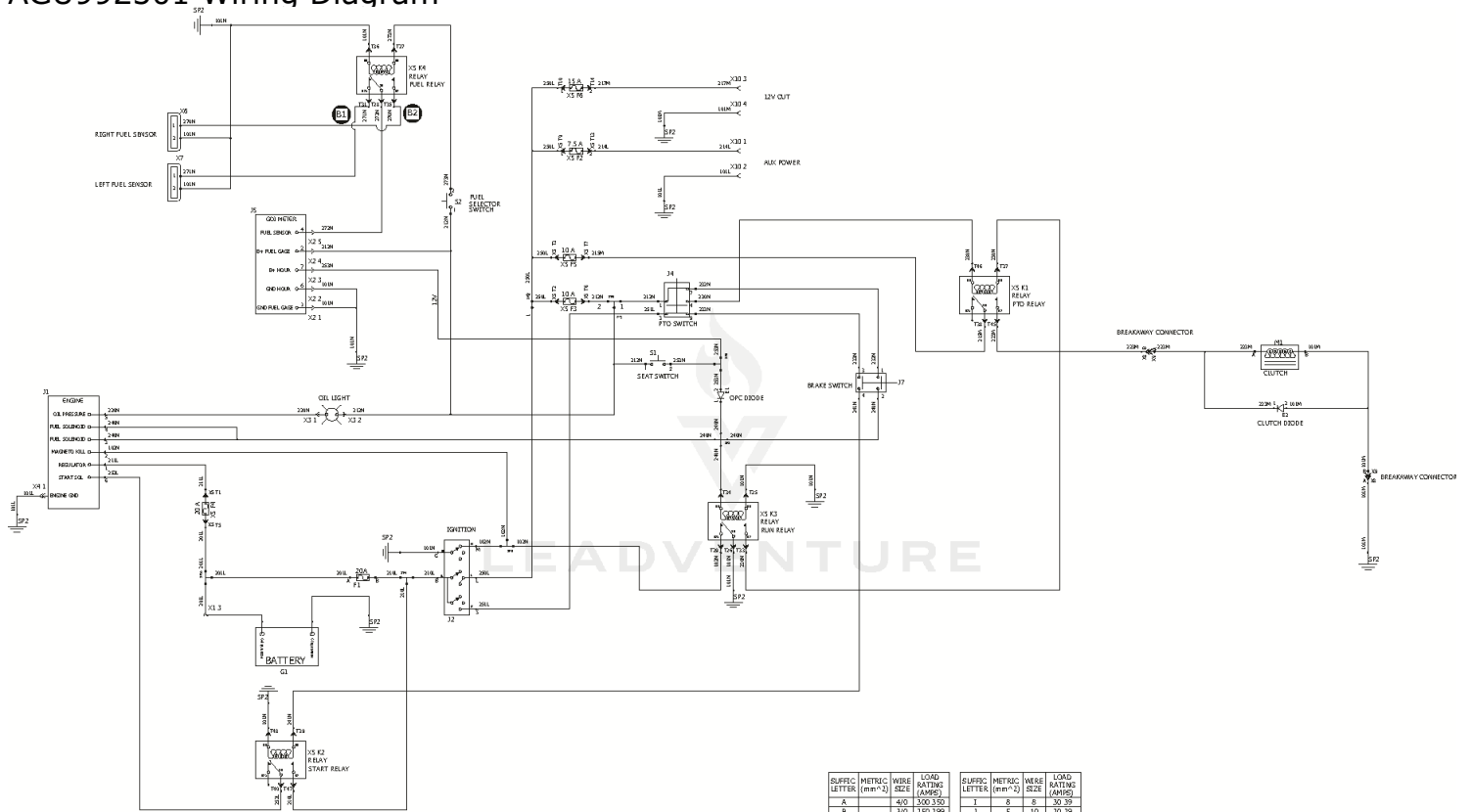


Rendered by LeadVenture, Inc.

AGU992501 Transaxles

Ref Number	Part Number	Part Description	Context Notes	Quantity
1	AGP09186600	TANK, TRANSAXLE OVERFLOW - 1 QT		2
2	AGP05902034	BLT, HEX 0.5-13X1.5 GR8 ZCC		2
3	AGP06401116	WSHR, FLT .557X1.040X.102 ZCC		2
4	AGP06501005	NUT, FLG-CTR LK .500-13 GG ZCC		2
5	AGP06923500	CLAMP,.88 DIA. HOSE		4
6	AGP07400124	SCR,TAP .312-18X.50 HWH TR ZCC		4
7	AGP07400135	SCR,TAP .25-20X.625 HWH ZCC		4
8	AGP09162900	TRANSAXLE, LH PARKER HTG13/30		1
9	AGP09163000	TRANSAXLE, RH PARKER HTG13/130		1
10	AGP09377951	BRKT, RH OVERFLOW TANK MTG (BLACK)		1
11	AGP09385500	HOSE, PT600 TRANSAXLE OVERFLOW		2
12	AGP09392151	BRKT, LH OVERFLOW TANK MTG (BLACK)		1
13	AGP09427553	BRKT, CALIPER MTG (RED)		2
14	AGP09427600	BRAKE, CALIPER RH		1
15	AGP09427700	ROTOR, BRAKE W/STUDS		2
16	AGP09427900	BRAKE, CALIPER LH		1
17	AGP09375600	CAP		1

AGU992501 Wiring Diagram



SIEMENS LETTER	METRIC (mm ²)	WIRE SIZE	LOAD RATINGS (AMPS)	SIEMENS LETTER	METRIC (mm ²)	WIRE SIZE	LOAD RATINGS (AMPS)
A	4/0	300	350	J	8	8	30-39
B	3/0	250	299	K	5	10	10-29
C	2/0	200	249	L	2	14	10-14
D	3/8	150	199	M	1	16	5-9
E	3/16	100	149	N	0.8	18	3-4
F	3/32	75	99	O	0.5	20	1-2
G	1/8	50	74	P	0.35	22	0-1
H	1/16	30	49				

Rendered by LeadVenture, Inc.

AGU992501 Wiring Diagram

Ref Number	Part Number	Part Description	Context Notes	Quantity
------------	-------------	------------------	---------------	----------