

Pro-Turn ZX 60" [AGU991290]
(000101+)

TABLE OF CONTENTS

AGU991290 Unit	3
AGU991290 Accessories	5
AGU991290 Anti-Scalp Wheels - 52" & 60"	8
AGU991290 Belt Covers - 60"	10
AGU991290 Clutch	12
AGU991290 Control Panel	14
AGU991290 Controls	16
AGU991290 Decals - Safety	19
AGU991290 Decals - Style - 60"	21
AGU991290 Deck Lift - LH	23
AGU991290 Deck Lift - RH	25
AGU991290 Deck, Belts, Blades & Spindles – 60"	28
AGU991290 Discharge Chute - 52" & 60"	30
AGU991290 Electrical	32
AGU991290 Engine - Kawasaki FX730	35
AGU991290 Engine Guard & Covers	38
AGU991290 Frame - 60"	41
AGU991290 Front Caster Wheels	43
AGU991290 Fuel System	45
AGU991290 Heat Shield	47
AGU991290 Idlers & Sheaves - 52" & 60"	49
AGU991290 Parking Brake	52
AGU991290 Quick Reference Service Parts	55
AGU991290 Rear Tires & Transaxles - 60"	59
AGU991290 ROPS	61
AGU991290 Seat	63
AGU991290 Seat Latch	65
AGU991290 Transaxle Drive	67
AGU991290 Wiring Diagram - 05155300	69
AGU991290 ZT 3200 Series - 09360900	71
AGU991290 ZT 3200 Series - 09361000	74

AGU991290 Unit



Rendered by LeadVenture, Inc.

AGU991290 Unit

Ref Number	Part Number	Part Description	Context Notes	Quantity
1	AGU991291	PRO-TURN ZX 60" FX730V W/ 7 GAUGE X-FACTOR 3 DECK		1

AGU991290 Accessories



LEADVENTURE

ACCESSORIES

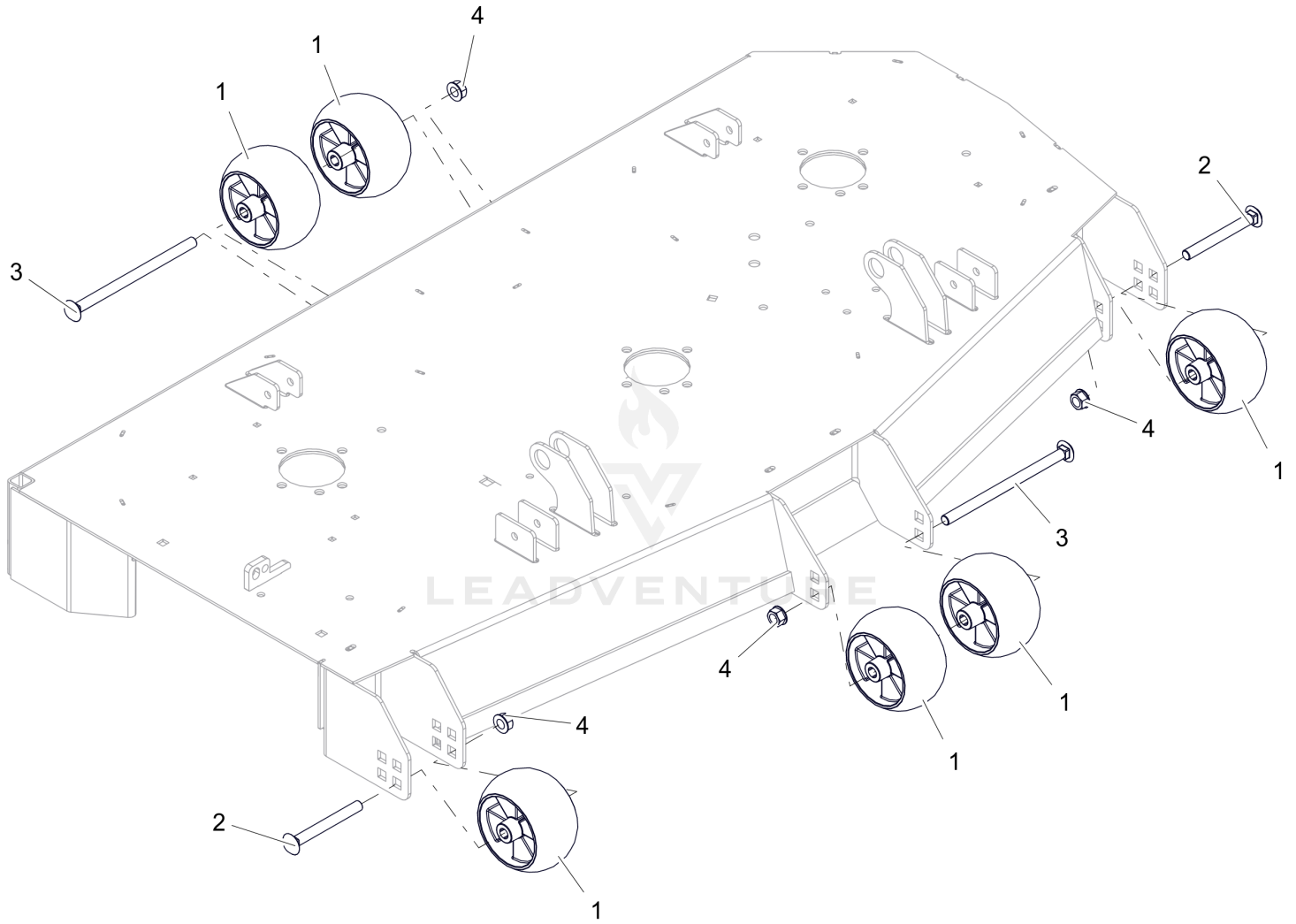
Rendered by LeadVenture, Inc.

AGU991290 Accessories

Ref Number	Part Number	Part Description	Context Notes	Quantity
	AGP89100800	2-BIN BAGGER		
	AGA791094	60" BAGGER MOUNT KIT		
	AGA791098	60" GRASS MULCHING KIT - W/ BLADES		
	AGA791102	KIT- 20.5" LE BLADE		
	AGA792198	KIT, LASEREDGE MULCH BLADES (3PK)		
	AGA792216	OPERATOR CONTROLLED DISCHARGE BAFFLE		
	AGA791086	LED HEADLIGHT KIT		
	AGA791085	TRAILER HITCH		
	AGA797029	KIT- 22" REAR TWEEL HEAVY DUTY		
	AGA792218	KIT- 44-72 STRIPING		
	AGA707219	KIT- TUNE UP-KAWISAKI FX		
	AGP59402700	KIT, HYDRO OIL AND FILTERS		
	AGA791089	TYRE KIT- AGGRESSIVE TREAD(2)		
	AGP79210600	6" WHEEL COVERS, SET(2)		
	AGP79102100	HUB CAP SET(2),GRAVELY 12"		
	AGA791052	KIT-13" SEMI-PNEUMATIC TYRE		
	AGP71515300	COVER- ZERO TURN-GRAVELY		

Ref Number	Part Number	Part Description	Context Notes	Quantity
	AGP71515500	COVER- SEAT - W/ GRAVELY LOGO		
	AGP71515100	COVER- SEAT- CAMO		
	AGA715174	KIT, DBL WHEEL ANTI-SCALP 5X3	Double wheel anti-scalp wheel kit includes two anti-scalp wheels and the necessary hardware	

AGU991290 Anti-Scalp Wheels - 52" & 60"

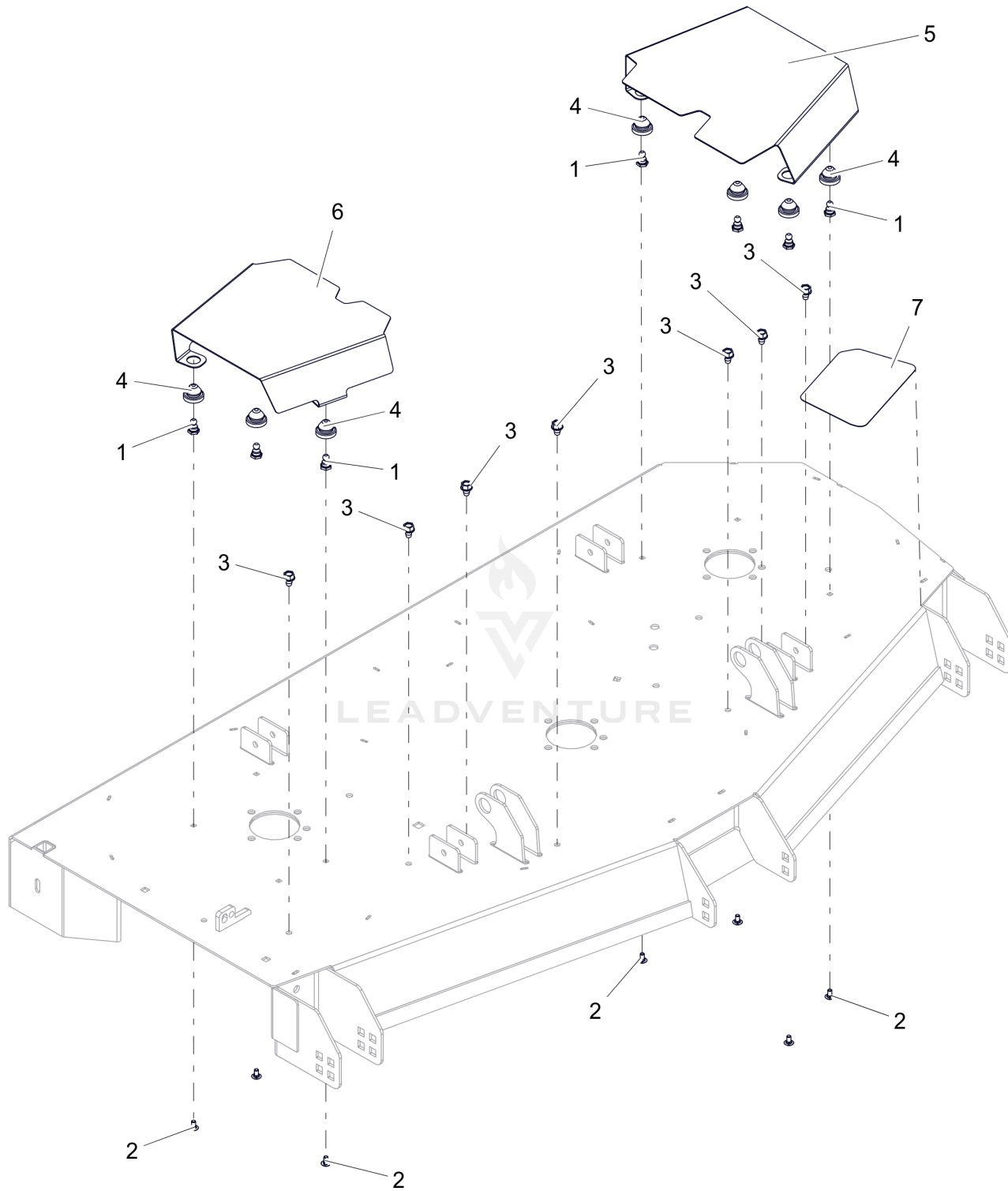


Rendered by LeadVenture, Inc.

AGU991290 Anti-Scalp Wheels - 52" & 60"

Ref Number	Part Number	Part Description	Context Notes	Quantity
1	AGP05268800	WHEEL, ANTI SCALP - 5X3 CTR W/RIBS		6
2	AGP06200240	BLT,RHSN .50-13X4.50 G5 ZCC		2
3	AGP06200506	BLT,RHSN .50-13X8.00 G5 ZCC NS		2
4	AGP06500902	NUT-LK-CTR-FLG .500-13 GG ZCC		4

AGU991290 Belt Covers - 60"

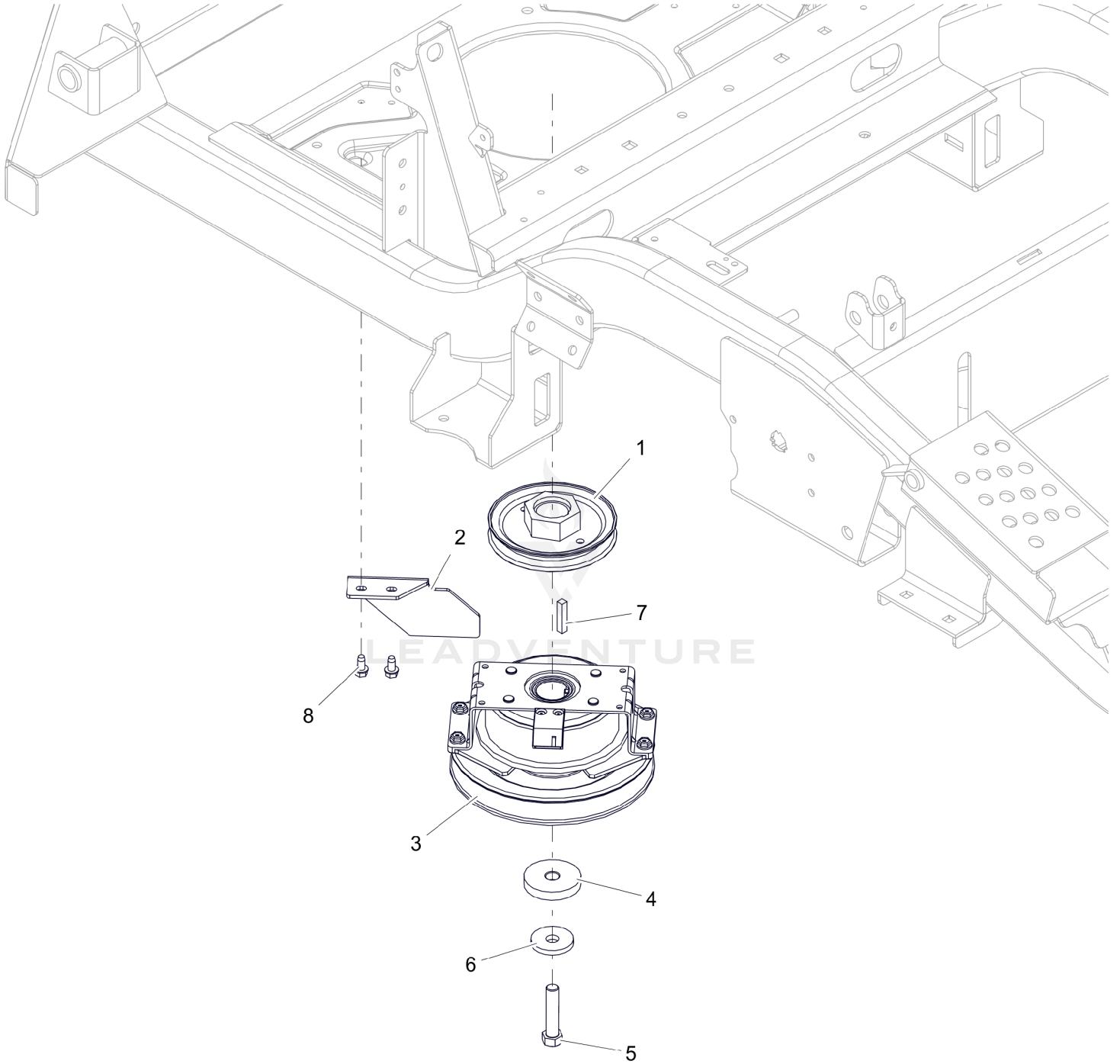


Rendered by LeadVenture, Inc.

AGU991290 Belt Covers - 60"

Ref Number	Part Number	Part Description	Context Notes	Quantity
1	AGP05275900	STUD, BALL FEMALE .250-20 THREAD		7
2	AGP06200305	BLT, RHSSN.25-20X.500 G5 ZCC		7
3	AGP07400126	SCR,TAP .375-16X.50 HWH TR ZCC		7
4	AGP07500429	COUPLING, RUBBER PUSH-IN		7
5	AGP09459053	COVER- BELT 60" LEFT		1
6	AGP09459153	COVER- BELT 60" RIGHT		1
7	AGP09461300	GRIP, STEP ANTI SKID HD XF3		1

AGU991290 Clutch

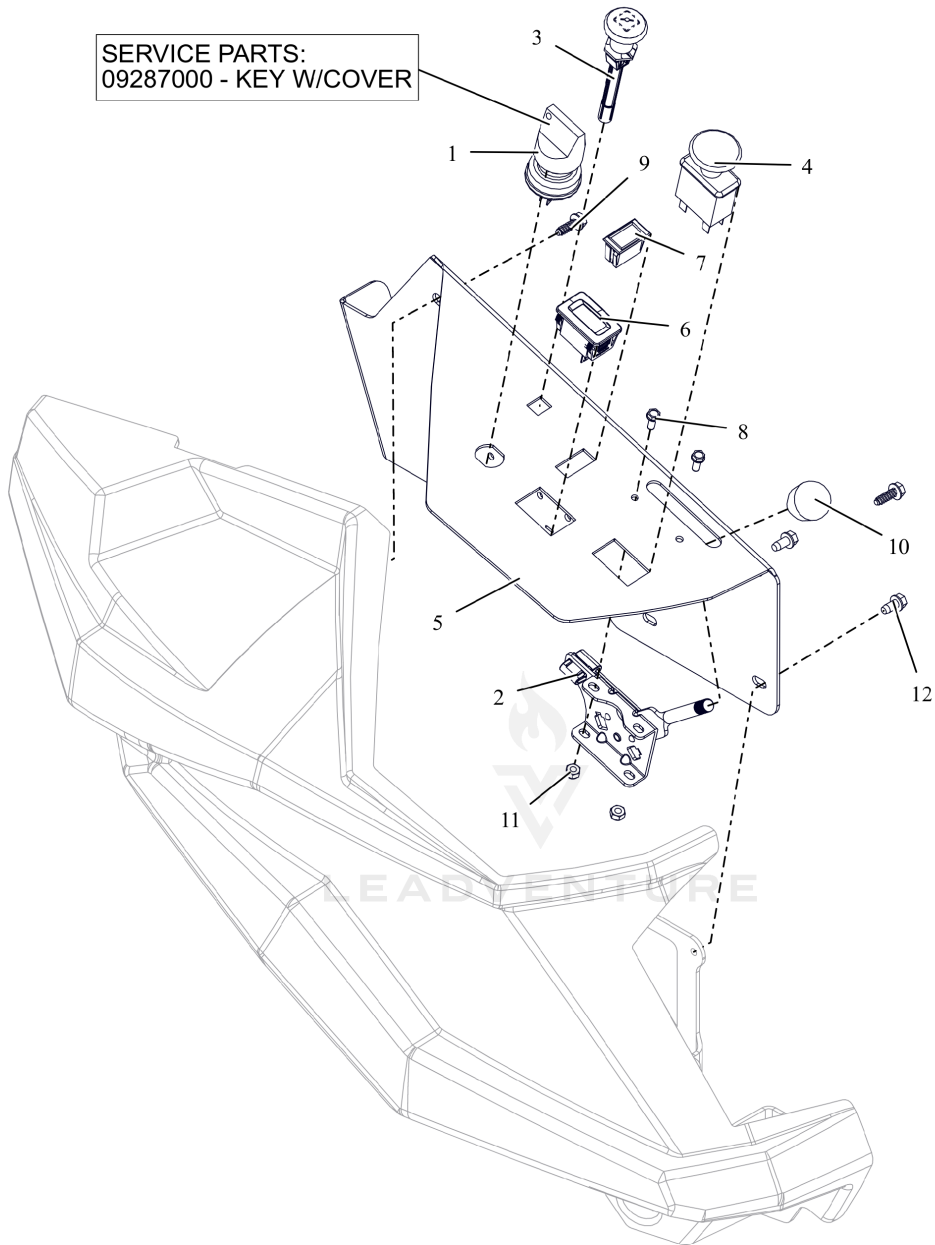


Rendered by LeadVenture, Inc.

AGU991290 Clutch

Ref Number	Part Number	Part Description	Context Notes	Quantity
1	AGP07348700	WLDMT,PULLEY-4.50ODX1.127		1
2	AGP05016151	BRKT, CLUTCH STOP HD		1
3	AGP59118600	ELECTRIC CLUTCH KIT		1
4	AGP05501240	SPACER, .474/.459X2.00X.350		1
5	AGP05901916	BLT, HEX 0.4375-20X2 G8 ZCC NT		1
6	AGP06400936	WASHER, 7/16" SPRING DISK		1
7	AGP06603400	KEY-SQ .25 X 1.25 X .25 SAE		1
8	AGP07400122	SCR-TAP .25-20X.50 HWH ZCC		2

AGU991290 Control Panel

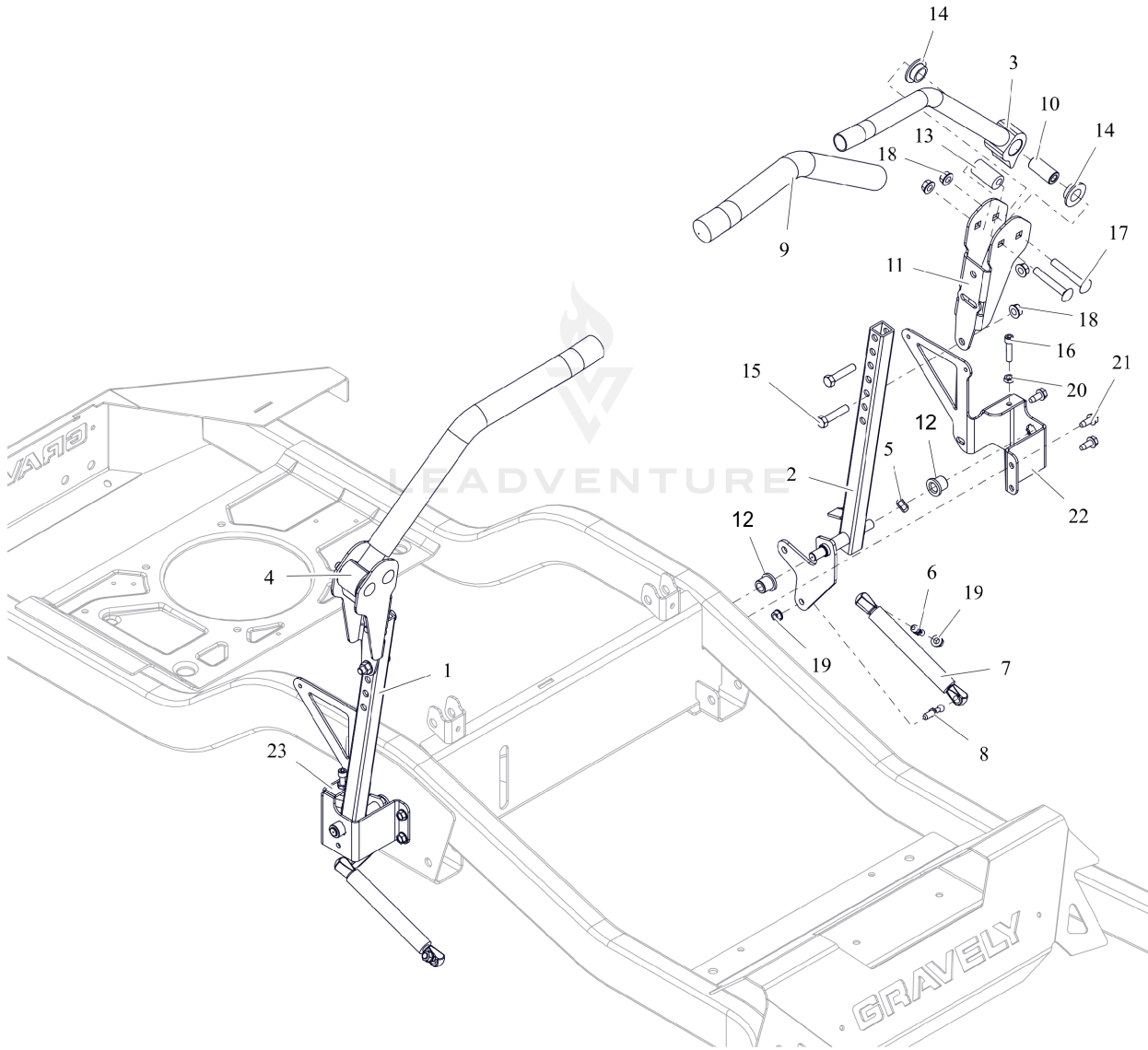


Rendered by LeadVenture, Inc.

AGU991290 Control Panel

Ref Number	Part Number	Part Description	Context Notes	Quantity
1	AGP04331600	SWITCH, IGNITION		1
2	AGP06900619	CABLE, PRO THROTTLE CONTROL		1
3	AGP06900621	CABLE - CHOKE, SNAP-IN		1
4	AGP01545600	SWITCH, CLUTCH		1
5	AGP09189053	PANEL, HD CONTROL (RED)		1
6	AGP05254800	HOUR METER		1
7	AGP09003300	SWITCH,BLANK		1
8	AGP05901825	BLT, HWH #10-24X.50 ZCC		2
9	AGP06100231	SCR, PLASTITE-HWH 0.25 X 0.75 ZC120		2
10	AGP07500132	KNOB-CONTROL-BLACK .38-16X.50		1
11	AGP06500915	NUT-LK-NYL #10-24 G2 ZCC		2
12	AGP07400122	SCR-TAP .25-20X.50 HWH ZCC		2
13	AGP09287000	KEY, W/ SHIELD	Component Service Part	1

AGU991290 Controls



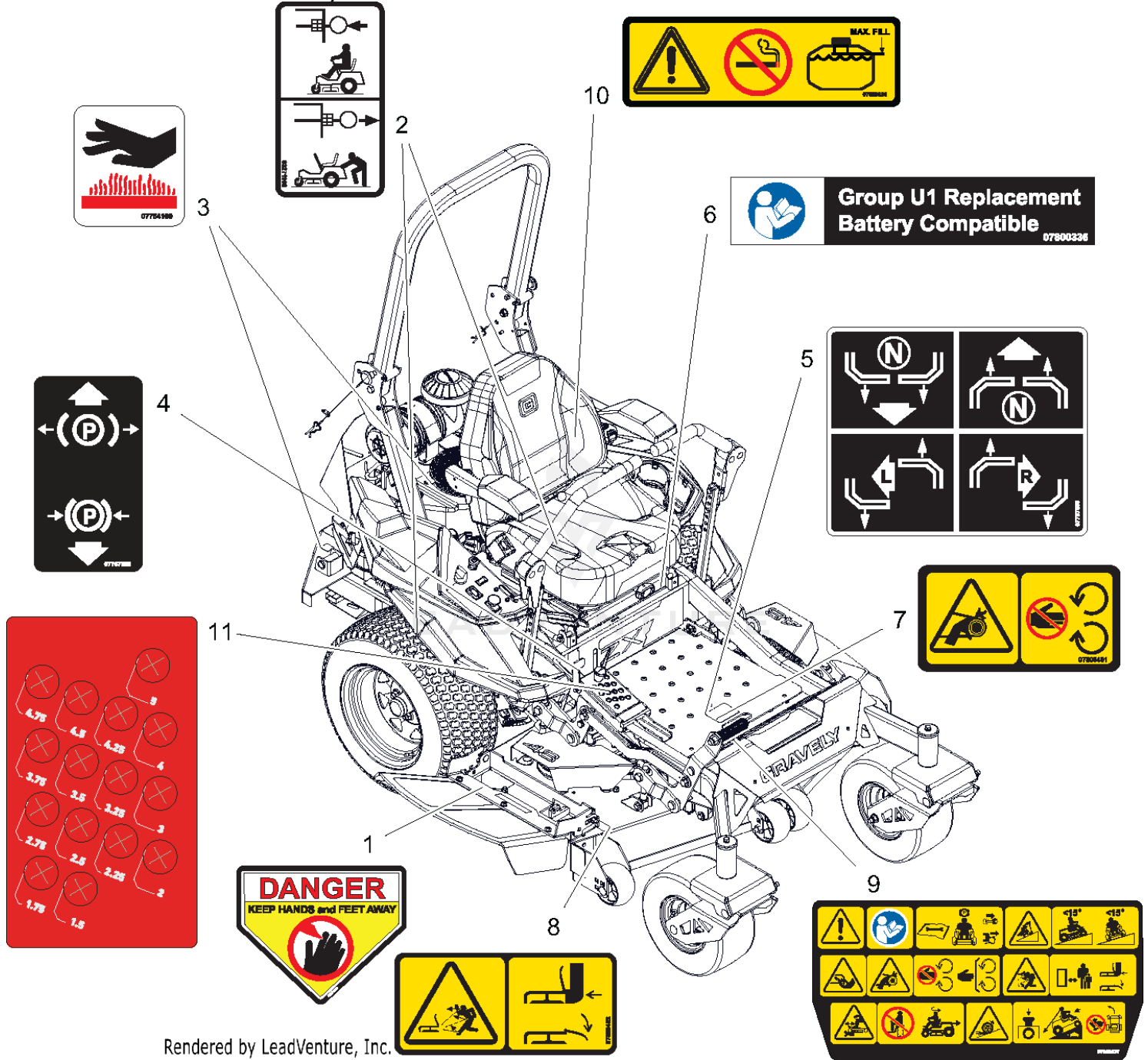
Rendered by LeadVenture, Inc.

AGU991290 Controls

Ref Number	Part Number	Part Description	Context Notes	Quantity
1	AGP05243953	WLDMT, STEERING RH (RED)		1
2	AGP05244053	WLDMT, STEERING -LH (RED)		1
3	AGP05261853	WLDMT, CONTROL HANDLE (RED)		1
4	AGP05262153	WLDMT, CONTROL HANDLE (RED)		1
5	AGP00325400	WAVE WASHER .531X.781X.125FH		2
6	AGP03652200	STUD- BALL		2
7	AGP03769800	DAMPER		2
8	AGP04097100	STUD-BALL-THREADED		2
9	AGP04383600	GRIP, HANDLEBAR		2
10	AGP04413600	SPACER, STEERING ARM		2
11	AGP05068753	BRKT, ADJ UPPER CONTROL ARM (RED)		2
12	AGP05501001	BHSG-FLG .500X.750X.750X.125		4
13	AGP05501223	BSHG, ECCENTRIC.406X.875X1.625		2
14	AGP05525200	BSHG-FLG .762X1.48X.44 NYL		4
15	AGP05901809	BLT, HEX .38-16X1.75 G5 ZCC		4
16	AGP05901826	SCR, SKH .312-18X1.25 GR8 ZC120		2
17	AGP06200315	BLT, RHSSN.38-16X2.50 G5 ZCC		4
18	AGP06500822	NUT-LK-TOP-FLG .38-16 ZC120		8
19	AGP06500840	NUT,LK-CTR-FLG .31-18 GF ZCC		4
20	AGP06500909	NUT-JAM .312-18 G2 ZCC		2
21	AGP07400127	SCR,TAP .312-18X.75 HWH TR ZCC		6
22	AGP09189953	BRKT, STEERING ARM MOUNTING -LH (RED)		1

Ref Number	Part Number	Part Description	Context Notes	Quantity
23	AGP09190053	BRKT, STEERING ARM MOUNTING- RH (RED)		1

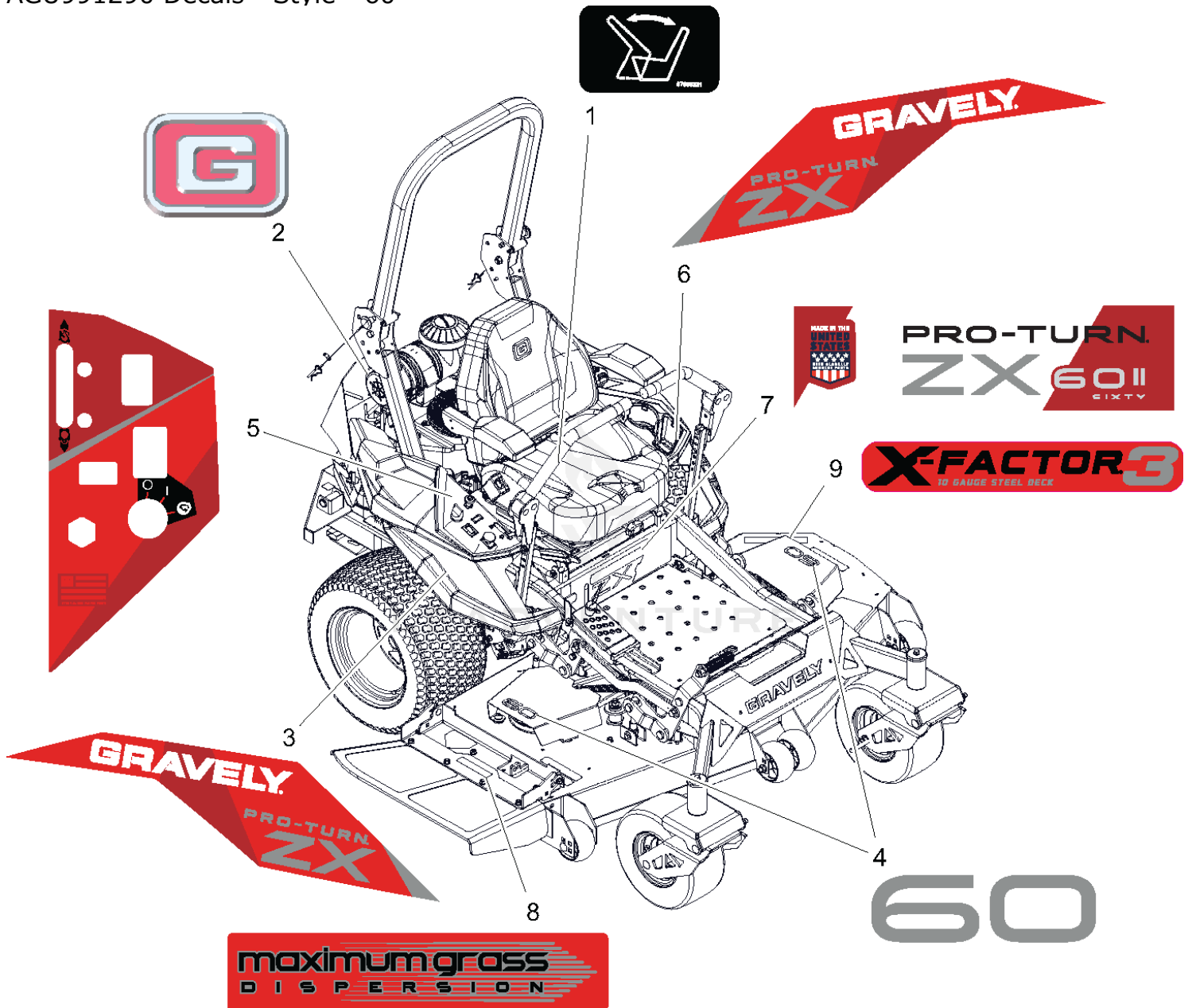
AGU991290 Decals - Safety



AGU991290 Decals - Safety

Ref Number	Part Number	Part Description	Context Notes	Quantity
1	AGP02988100	DECAL, DANGER		1
2	AGP03271900	DECAL, TRANSMISSION DISCONNECT		2
3	AGP07754100	DECAL, HOT SURFACE		2
4	AGP07757500	DECAL, PARKING BRAKE LEVER		1
5	AGP07757600	DECAL, INSTRUCTIONAL-STEERING		1
6	AGP07800336	DECAL, U1 BATTERY REPLACEMENT		1
7	AGP07800401	DECAL, SAFETY - GUARDING		1
8	AGP07800402	DECAL, SAFETY - DECK GUARDING		1
9	AGP07800537	DECAL, MAIN SAFETY		1
10	AGP07800820	DECAL, FUEL WARNING		1
11	AGP07801210	DECAL, HEIGHT OF CUT		1

AGU991290 Decals - Style - 60"

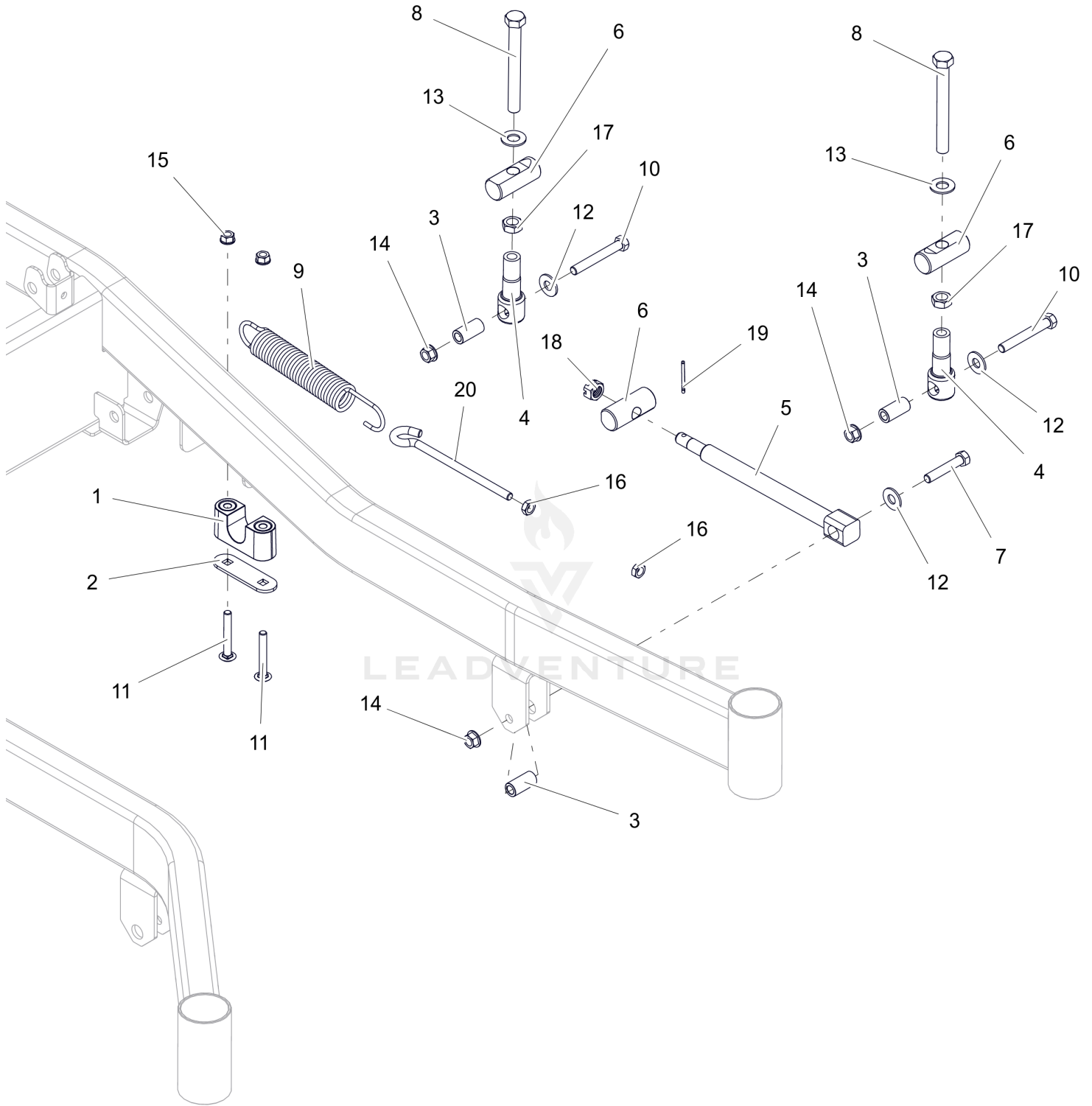


Rendered by LeadVenture, Inc.

AGU991290 Decals - Style - 60"

Ref Number	Part Number	Part Description	Context Notes	Quantity
1	AGP07800221	DECAL - SEAT RELEASE		1
2	AGP07800534	DECAL, GRAVELY BRAND		1
3	AGP07801214	DECAL, FENDER RH - PTZX		1
4	AGP07801125	DECAL, DECK - 60		2
5	AGP07801126	DECAL, CONTROL PANEL		1
6	AGP07801213	DECAL, FENDER LH - PTZX		1
7	AGP07801117	DECAL, PTZX - 60		1
8	AGP07801229	DECAL, DECK - MAX GRASS		1
9	AGP07801609	DECAL, X-FACTOR 3		1

AGU991290 Deck Lift - LH

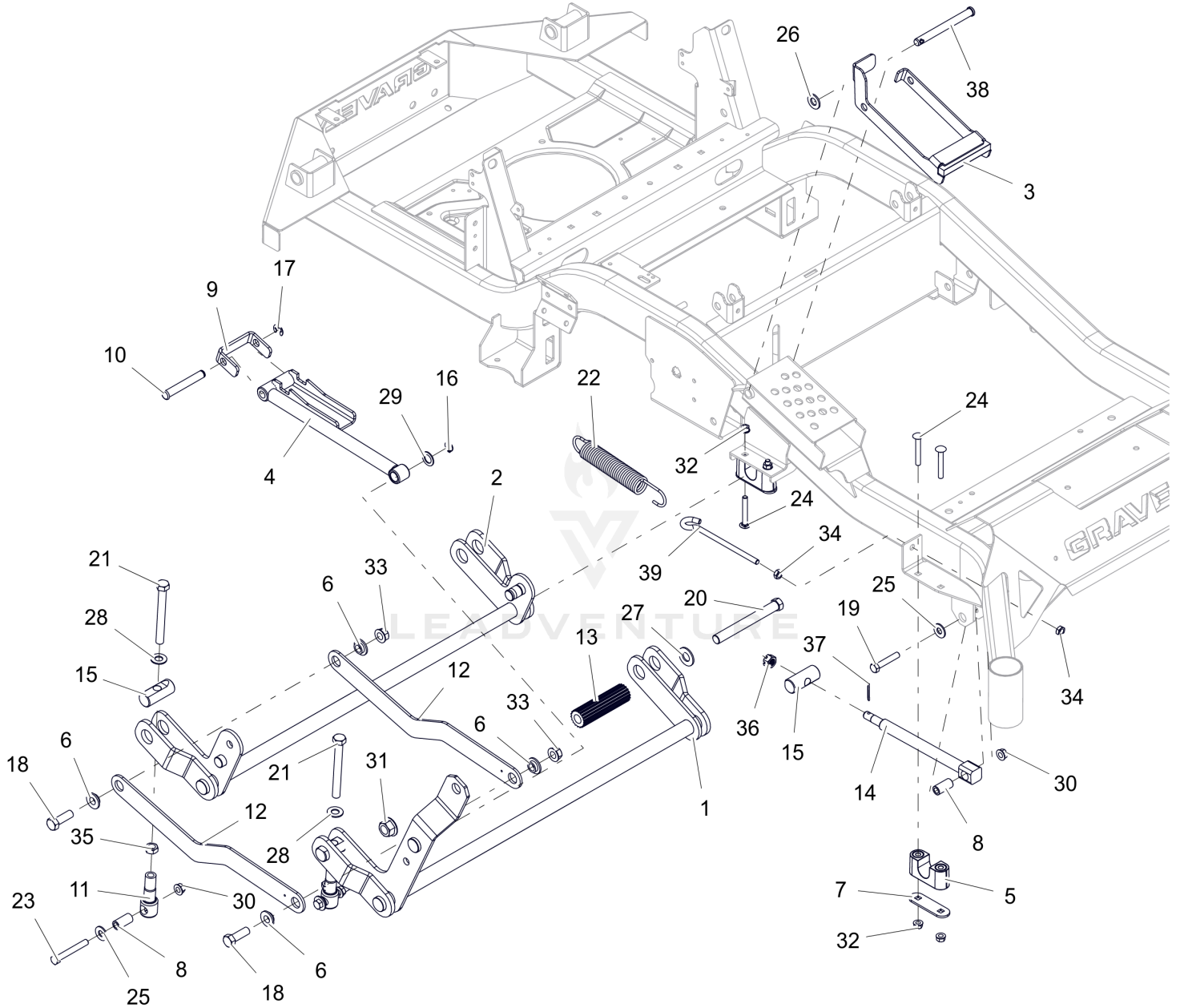


Rendered by LeadVenture, Inc.

AGU991290 Deck Lift - LH

Ref Number	Part Number	Part Description	Context Notes	Quantity
1	AGP07500414	ASM-BUSHING, DECK LIFT		2
2	AGP04766551	PLATE, BEARING SUPPORT		2
3	AGP04895200	SPACER, DECK LEVELING		3
4	AGP05081400	LINK, DECK LIFT FORMED		2
5	AGP05126700	DRAG, LINK-HD		1
6	AGP05149500	PIN, DECK LIFT		3
7	AGP05901718	BLT, HEX .38-16X2.00 G5 ZCC		1
8	AGP05901736	BLT, HEX .50-13X4.50F G8 ZCC		2
9	AGP08319000	SG-TENS .162X1.25X8.25 WLD 25		1
10	AGP05901813	BLT, HEX .38-16X2.75 G8 ZCC		2
11	AGP06200311	BLT, RHSSN.31-18X2.25 G5 ZCC		4
12	AGP06401008	WSHR, FLT .438X1.00X.083 ZCC		3
13	AGP06401116	WSHR, FLT .557X1.040X.102 ZCC		2
14	AGP06500822	NUT-LK-TOP-FLG .38-16 ZC120		3
15	AGP06500840	NUT, LK-CTR-FLG .31-18 GF ZCC		4
16	AGP06500910	NUT-JAM .375-16 G2 ZCC		2
17	AGP06500911	NUT-JAM .500-13 G2 ZCC		2
18	AGP06505000	NUT-SL .50-13		1
19	AGP06700212	PIN, CTR.12X1.25EXTPRSQCT ZC120		1
20	AGP07001814	BOLT, .38-16 X 5.25-.62 DIA EYE		1

AGU991290 Deck Lift - RH



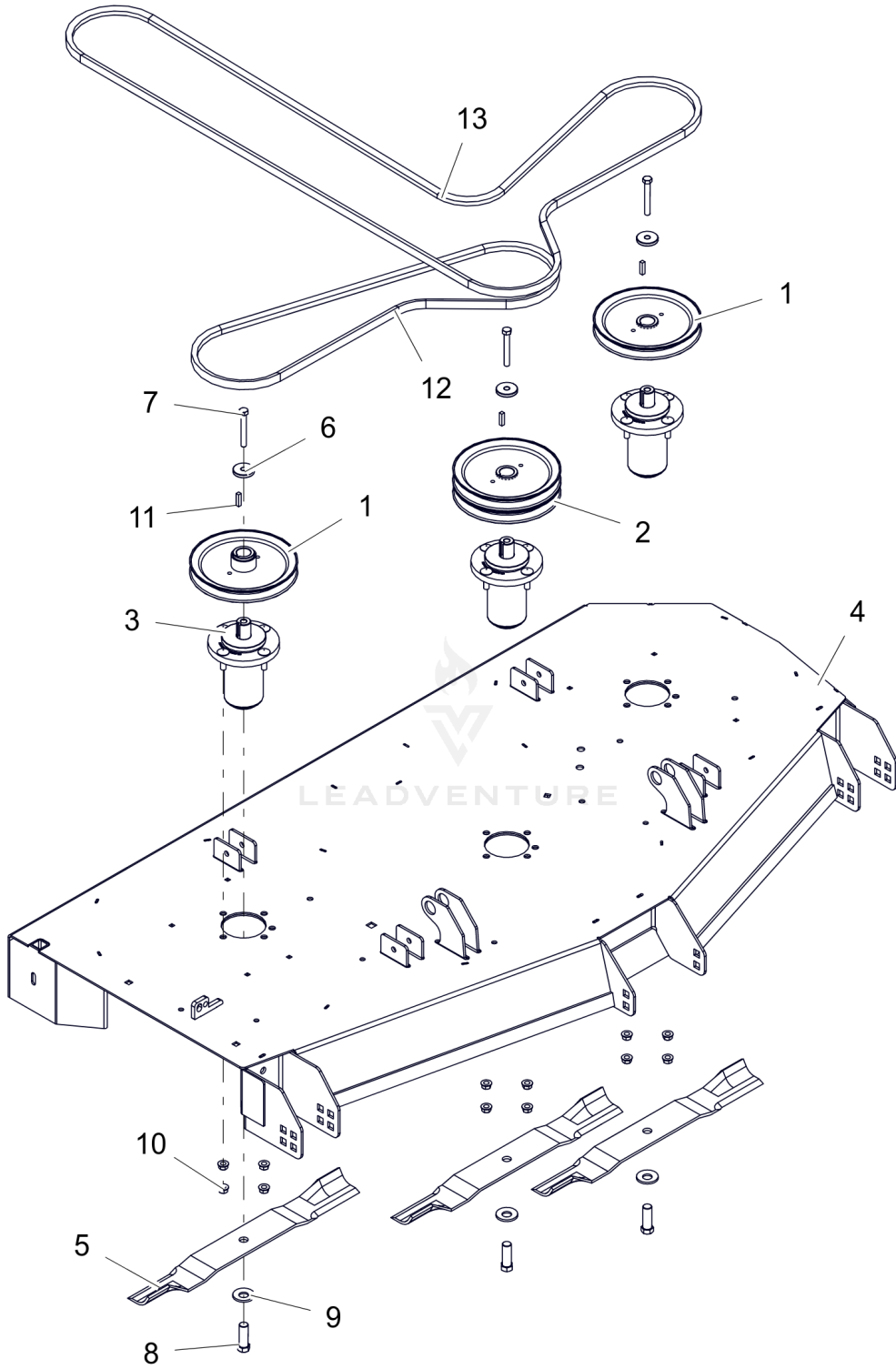
Rendered by LeadVenture, Inc.

AGU991290 Deck Lift - RH

Ref Number	Part Number	Part Description	Context Notes	Quantity
1	AGP05019651	WLDMT, FRONT DECK LIFT PIVOT		1
2	AGP05019751	WLDMT, REAR DECK LIFT PIVOT		1
3	AGP05025251	WLDMT, HOC TRANSFER LOCK (BLACK)		1
4	AGP05186351	WLDMT, HOC LIFT ARM (BLACK)		1
5	AGP07500414	ASM-BUSHING, DECK LIFT		2
6	AGP03989100	BSHG-FLG .515X.750X.310X1.120		4
7	AGP04766551	PLATE, BEARING SUPPORT		2
8	AGP04895200	SPACER, DECK LEVELING		3
9	AGP05077551	BRKT, HOC LINE		1
10	AGP05800210	PIN, .499/.494 x 3.385 CLEVIS		1
11	AGP05081400	LINK, DECK LIFT FORMED		2
12	AGP05083951	LINK, DECK		2
13	AGP05120951	ROD, FOOT PEDAL (BLACK)		1
14	AGP05126700	DRAG, LINK-HD		1
15	AGP05149500	PIN, DECK LIFT		3
16	AGP05709200	RG-RTNG-EXT .625X.050		1
17	AGP05710200	RG-RTNG-EXT .500X.042 (E)		1
18	AGP05901631	BLT, HEX .50-13X1.50 G5 ZCC		2
19	AGP05901718	BLT, HEX .38-16X2.00 G5 ZCC		1
20	AGP05901730	BLT, HEX .62-11X5.50 G5 FBP		1
21	AGP05901736	BLT, HEX .50-13X4.50F G8 ZCC		2
22	AGP08319000	SG-TENS .162X1.25X8.25 WLD 25		1
23	AGP05901813	BLT, HEX .38-16X2.75 G8 ZCC		2
24	AGP06200311	BLT, RHSSN.31-18X2.25 G5 ZCC		4
25	AGP06401008	WSHR, FLT .438X1.00X.083 ZCC		3
26	AGP06401015	WSHR, FLT .531X1.062X.095 ZCC		1
27	AGP06401039	WSHRFLT 5/8SAE CARBHARD FBP		1
28	AGP06401116	WSHR, FLT .557X1.040X.102 ZCC		2

Ref Number	Part Number	Part Description	Context Notes	Quantity
29	AGP06401117	WSHR, FLT .630X1.005X.062 ZCC		1
30	AGP06500822	NUT-LK-TOP-FLG .38-16 ZC120		3
31	AGP06500835	NUT,FLG-TOP LK .625-11 FBP		1
32	AGP06500840	NUT,LK-CTR-FLG .31-18 GF ZCC		4
33	AGP06500907	NUT-LK-TOP-FLG .500-13 GF ZCC		2
34	AGP06500910	NUT-JAM .375-16 G2 ZCC		2
35	AGP06500911	NUT-JAM .500-13 G2 ZCC		2
36	AGP06505000	NUT-SL .50-13		1
37	AGP06700212	PIN,CTR.12X1.25EXTPRSQCT ZC120		1
38	AGP06800201	PIN, SLIC-.500X4.97X4.55 -ZC		1
39	AGP07001814	BOLT,.38-16 X 5.25-.62 DIA EYE		1

AGU991290 Deck, Belts, Blades & Spindles - 60"

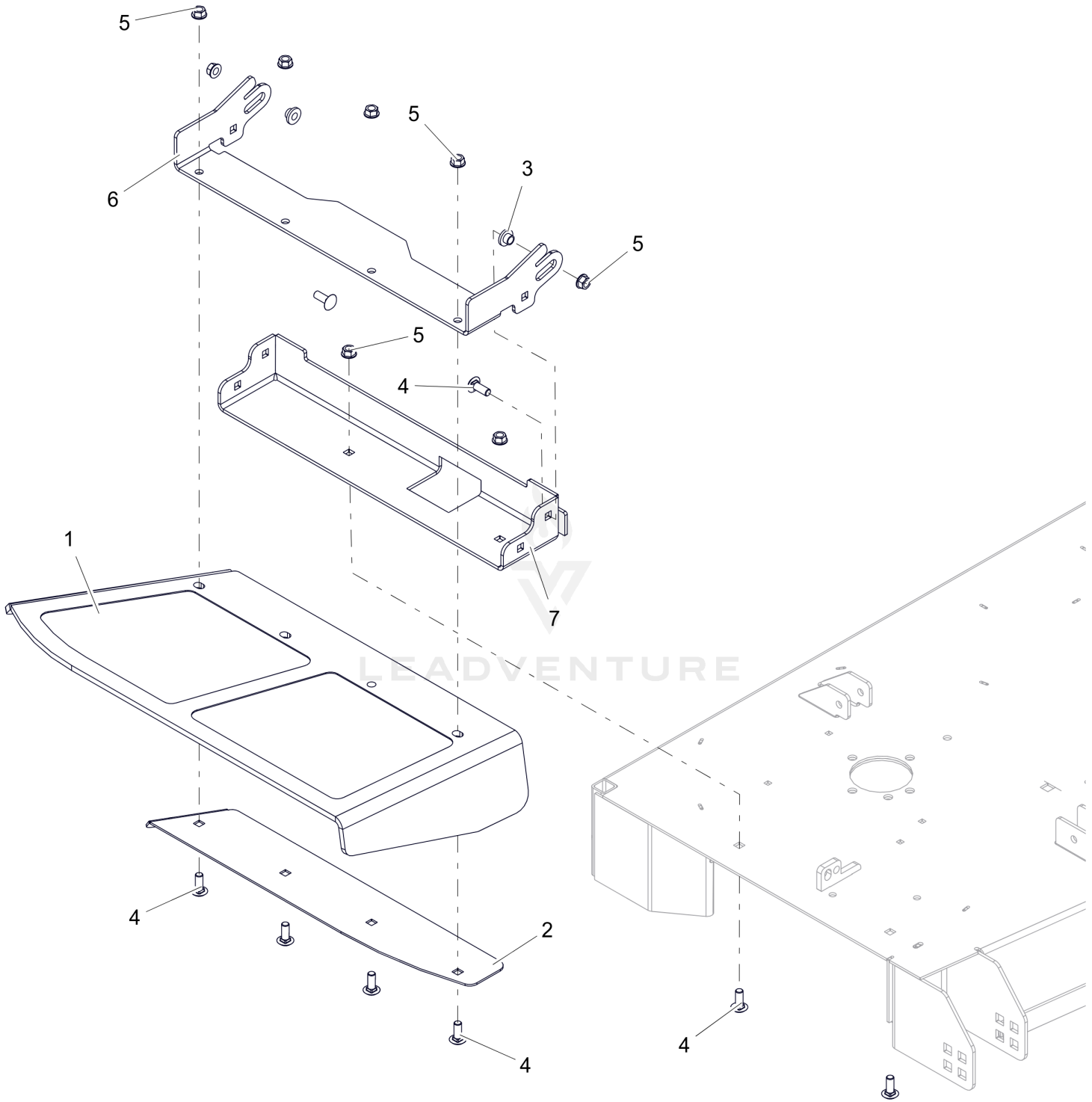


Rendered by LeadVenture, Inc.

AGU991290 Deck, Belts, Blades & Spindles – 60"

Ref Number	Part Number	Part Description	Context Notes	Quantity
1	AGP07345967	PULLEY, V-7.50 OD X 1"ID		2
2	AGP07346667	PULLEY, DOUBLE 1"X7.50"&7.50" (BLACK)		1
3	AGP58810800	ASM, MAINT FREE ALUM SPINDLE		3
4	AGP59118300	KIT, DECK - 60 W/DECALS - XF3		1
5	AGP03253900	BLADE, 20.5"		3
6	AGP04530500	RETAINER, SHEAVE		3
7	AGP05901813	BLT, HEX .38-16X2.75 G8 ZCC		3
8	AGP05901822	BLT, HEX .62-18X1.75 G8 ZCC		3
9	AGP06445700	WSHR-BLVL .669X1.535X.138		3
10	AGP06500901	NUT-LK-CTR-FLG .375-16 GF ZCC		12
11	AGP06611200	KEY, SQ .25X.25X1.00 RC 40- 50		3
12	AGP07200807	V-BELT, B-COGGED		1
13	AGP07200817	V-BELT, HB SECTION		1

AGU991290 Discharge Chute - 52" & 60"



Rendered by LeadVenture, Inc.

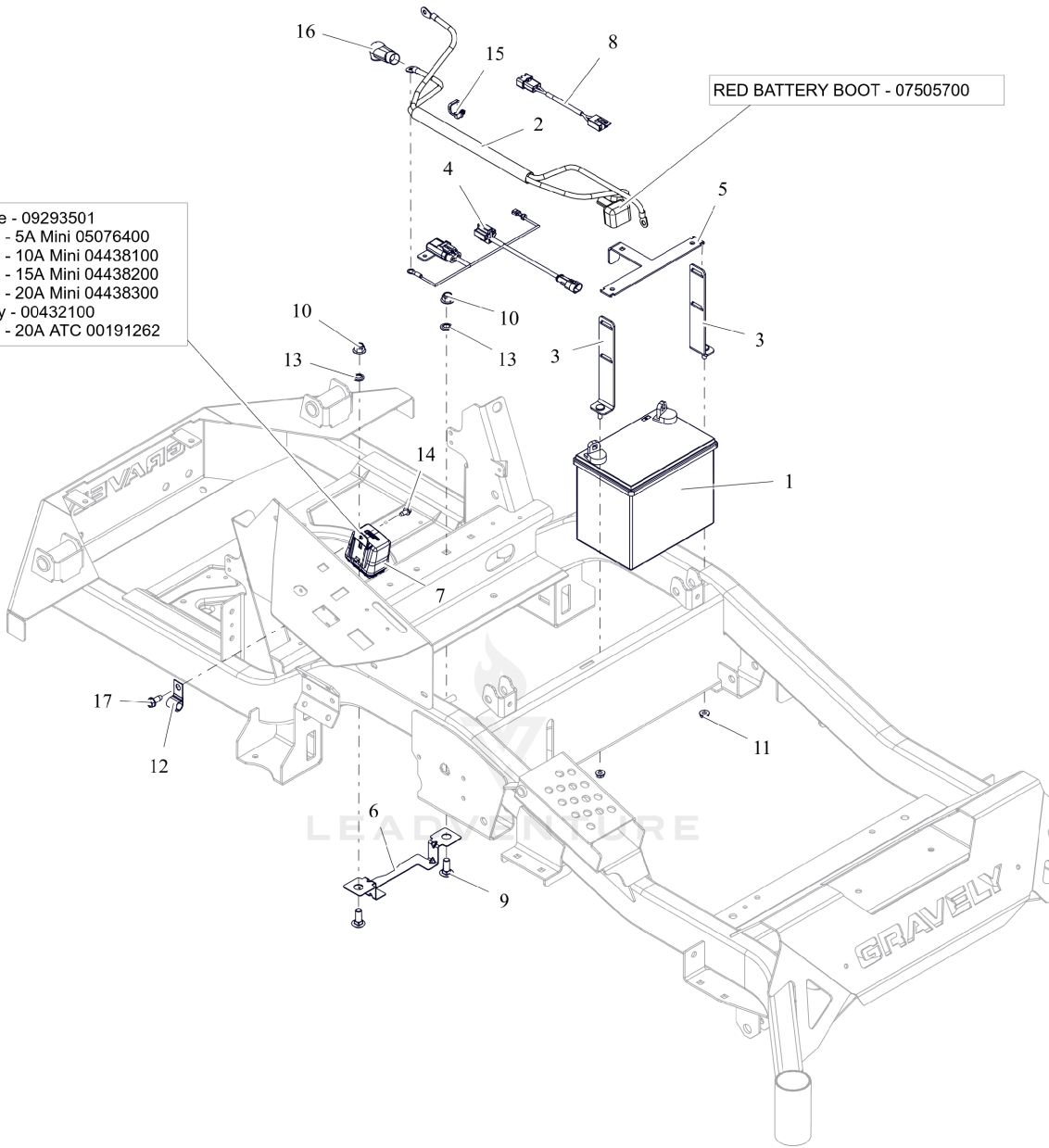
AGU991290 Discharge Chute - 52" & 60"

Ref Number	Part Number	Part Description	Context Notes	Quantity
1	AGP04880900	CHUTE, 72" FORMED RUBBER DISCH		1
2	AGP04976153	72" DISCH CHUTE CLAMP PLT - RED		1
3	AGP05500435	BSHG-FLG .385X.500X.875X.406		2
4	AGP06200235	BLT,RHSSN .38-16X1.00 G5 ZCC		8
5	AGP06500901	NUT-LK-CTR-FLG .375-16 GF ZCC		8
6	AGP09374253	BRKT, CHUTE MTG (RED)		1
7	AGP59229900	BASE, DISCHARGE CHUTE MTG (RED) W/ SAFETY DECALS		1

AGU991290 Electrical

- Diode - 09293501
- Fuse - 5A Mini 05076400
- Fuse - 10A Mini 04438100
- Fuse - 15A Mini 04438200
- Fuse - 20A Mini 04438300
- Relay - 00432100
- Fuse - 20A ATC 00191262

RED BATTERY BOOT - 07505700



Rendered by LeadVenture, Inc.

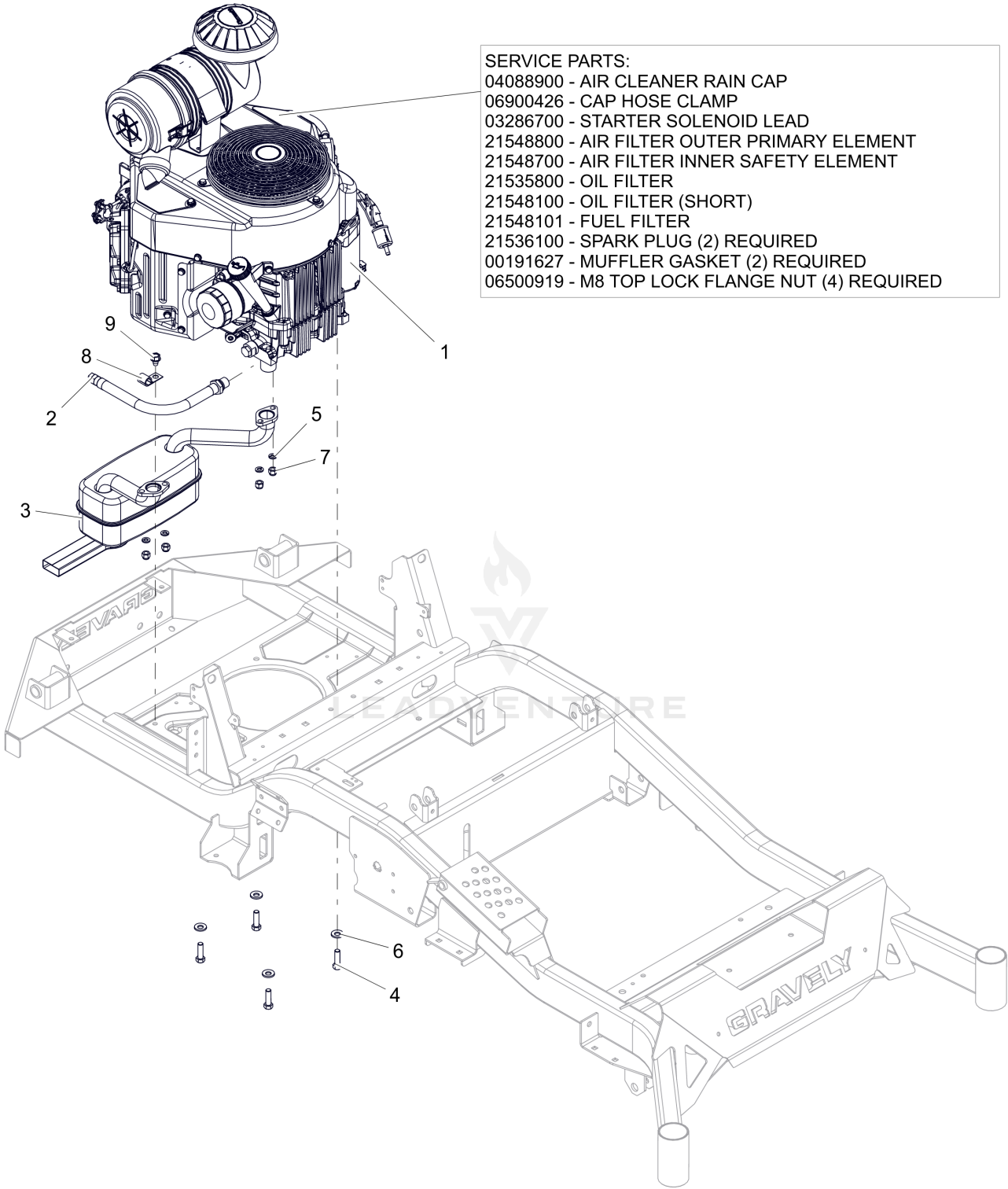
AGU991290 Electrical

Ref Number	Part Number	Part Description	Context Notes	Quantity
1	AGP01554800	BATTERY, 300 CCA 10U1L		1
2	AGP05074100	HARNESS, BATTERY HD		1
3	AGP05107451	WMT,BATTERY MOUNT HOLD DOWN		2
4	AGP05189800	HARNESS, STARTER ADAPTER		1
5	AGP05031551	BRKT, BATTERY TIE DOWN		1
6	AGP05111451	GUARD, ELECTRICAL HARNESS		1
7	AGP05155300	HARNESS, WIRE		1
8	AGP09383900	HARNESS-EXTENSION		1
9	AGP06200313	BLT, RHSN .38-16X1.00 G5 ZCC		2
10	AGP06500726	NUT,NYL-FLG .38-16 GF ZCC		2
11	AGP06500903	NUT-LK-TOP-FLG .250-20 GF ZCC		2
12	AGP06916000	J-CLAMP		1
13	AGP07009900	NUT-PUSH .38 DIA. PAL ZINC		2
14	AGP07400122	SCR-TAP .25-20X.50 HWH ZCC		1
15	AGP07500040	CABLE TIE W/ TREE (.25 HOLE)		1
16	AGP07500401	BOOT, .65ID POS		1
17	AGP07400127	SCR,TAP .312-18X.75 HWH TR ZCC		1

Ref Number	Part Number	Part Description	Context Notes	Quantity
18	AGP07505700	INSULATOR	Component Service Part	1
19	AGP09293501	DIODE, CONNECTOR SHELL	Component Service Part	1
20	AGP05076400	FUSE, 5 AMP MINI-ATC	Component Service Part	1
21	AGP04438100	FUSE, 10 AMP MINI-ATC	Component Service Part	1
22	AGP04438200	FUSE, 15 AMP MINI-ATC	Component Service Part	1
23	AGP04438300	FUSE, 20 AMP MINI ATC	Component Service Part	1
24	AGP04438400	RELAY, MICRO5 TERML W/RESISTOR	Component Service Part (part number on image is incorrect)	1
25	AGP00191262	FUSE, 20 AMP BLADE S/O	Component Service Part	1

AGU991290 Engine - Kawasaki FX730

- SERVICE PARTS:
- 04088900 - AIR CLEANER RAIN CAP
 - 06900426 - CAP HOSE CLAMP
 - 03286700 - STARTER SOLENOID LEAD
 - 21548800 - AIR FILTER OUTER PRIMARY ELEMENT
 - 21548700 - AIR FILTER INNER SAFETY ELEMENT
 - 21535800 - OIL FILTER
 - 21548100 - OIL FILTER (SHORT)
 - 21548101 - FUEL FILTER
 - 21536100 - SPARK PLUG (2) REQUIRED
 - 00191627 - MUFFLER GASKET (2) REQUIRED
 - 06500919 - M8 TOP LOCK FLANGE NUT (4) REQUIRED



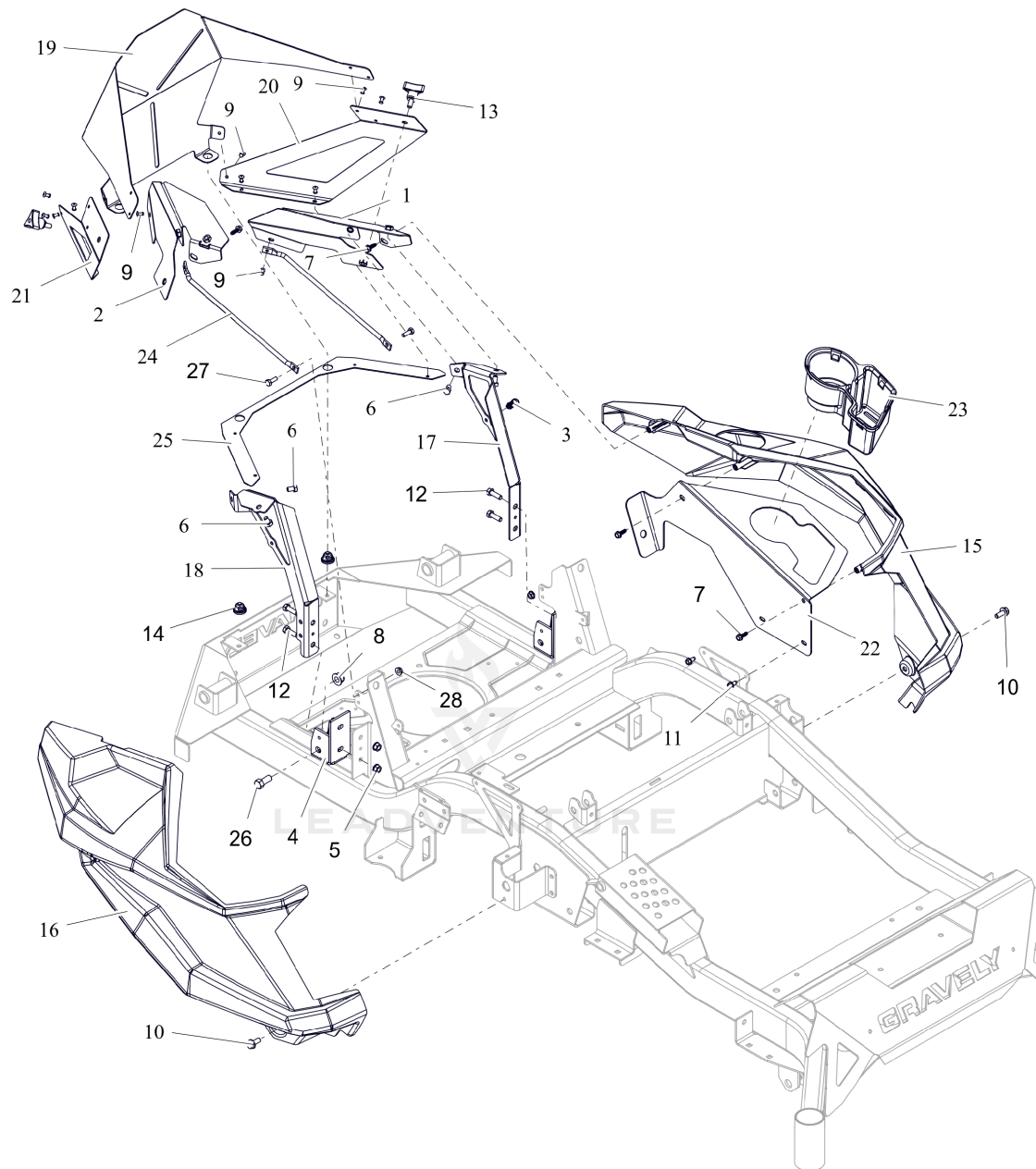
Rendered by LeadVenture, Inc.

AGU991290 Engine - Kawasaki FX730

Ref Number	Part Number	Part Description	Context Notes	Quantity
1	AGP08200722	ENGINE, KAWASAKI FX730		1
2	AGP07001730	HOSE, OIL DRAIN		1
3	AGP04754300	MUFFLER, KAWASAKI		1
4	AGP05901808	BLT, HEX .38-16X1.25 G5 ZCC NT		4
5	AGP06300119	WSHR,LK-REG .312X.078 ZCC		4
6	AGP06400927	WASHER, 3/8" SPRING DISC		4
7	AGP06500817	NUT,NYL M8-1.25 G8.8 ZCC		4
8	AGP06916000	J-CLAMP		1
9	AGP07400126	SCR,TAP .375-16X.50 HWH TR ZCC		1
10	AGP04088900	CAP, KAW 11065-7025	Component Service Part	1
11	AGP06900426	CLAMP, HOSE #36 SS 1.813-2.75	Component Service Part	1
12	AGP03286700	LEAD - STARTER SOLENOID	Component Service Part	1
13	AGP21548800	FILTER, OUTER	Component Service Part	1
14	AGP21548700	FILTER, INNER - KAW	Component Service Part	1
15	AGP21535800	FILTER,OIL - KAW	Component Service Part	1
16	AGP21548100	OIL FILTER, KAWASAKI FR	Component Service Part	1
17	AGP21548101	FUEL FILTER-KAWASAKI FR	Component Service Part	1
18	AGP21536100	PLUG, SPARK	Component Service Part	2
19	AGP00191627	GASKET, MUFFLER S/O	Component Service Part	2

Ref Number	Part Number	Part Description	Context Notes	Quantity
20	AGP06500919	NUT-LK-TOP-FLG M8 ZCC	Component Service Part	4

AGU991290 Engine Guard & Covers



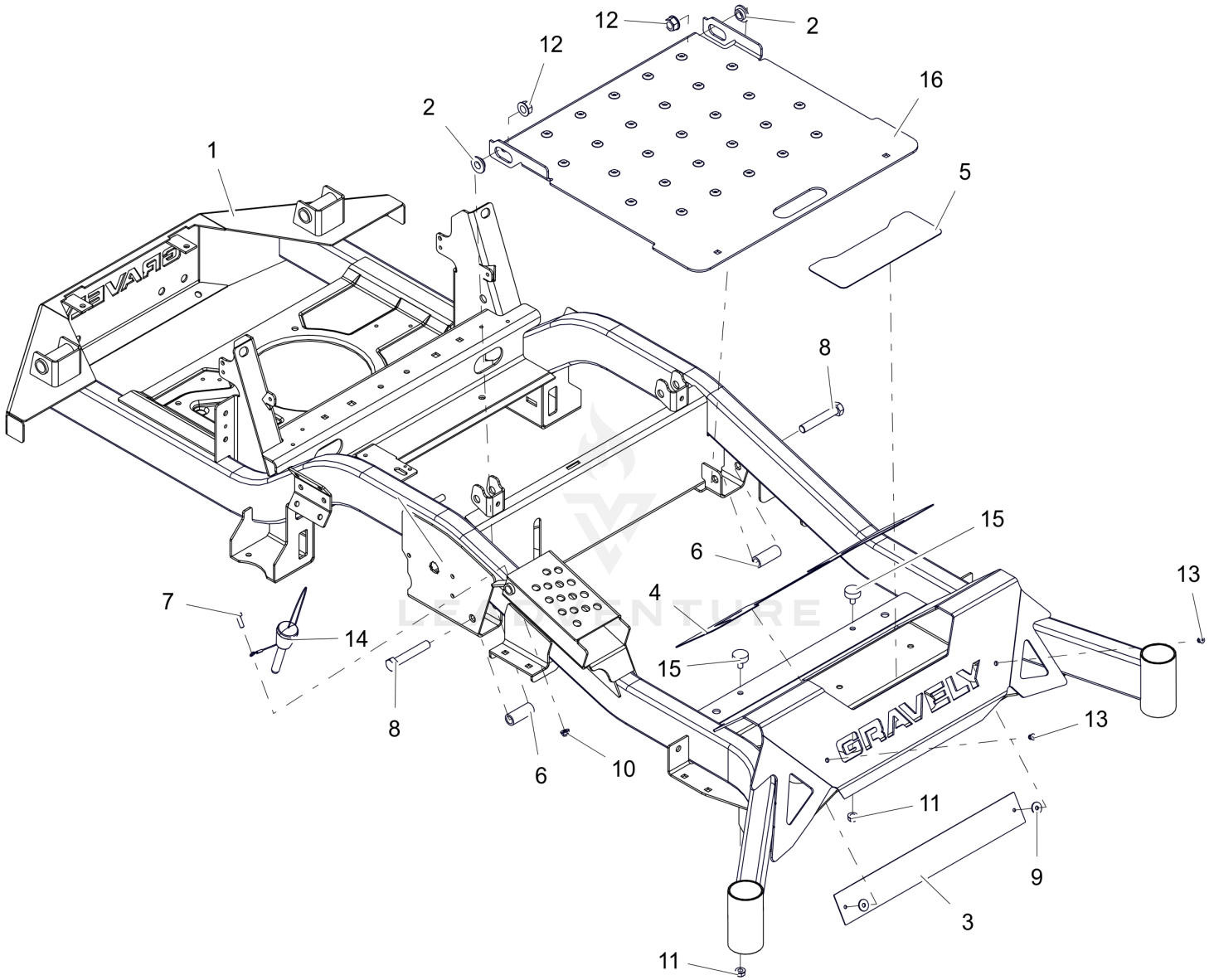
Rendered by LeadVenture, Inc.

AGU991290 Engine Guard & Covers

Ref Number	Part Number	Part Description	Context Notes	Quantity
1	AGP09188853	PANEL, LH (RED)		1
2	AGP09188953	PANEL, RH (RED)		1
3	AGP04451600	CLIP, CABLE GUIDE		1
4	AGP05248051	BRKT, ROPS SUPPORT		2
5	AGP06500840	NUT,LK-CTR-FLG .31-18 GF ZCC		4
6	AGP05901904	BLT, HEX .31-18X.50 GR5 ZCC		4
7	AGP06100231	SCR, PLASTITE-HWH 0.25 X 0.75 ZC120		4
8	AGP06500811	NUT,NYL-FLG .44-14 GF ZCC		2
9	AGP06800107	RIVET, #66 STEEL POP PD BLACK		12
10	AGP07001820	BLT, SERHFWH 0.312-18X0.75 GR5 ZCC		2
11	AGP07400122	SCR-TAP .25-20X.50 HWH ZCC		2
12	AGP05901802	BLT, HEX .31-18X1.00 G8 ZCC		4
13	AGP07500008	KNOB,WING STUD 5/16-18 X .75		2
14	AGP07500407	GROMMET, 10MM BOLLHOFF		2
15	AGP09188100	FENDER, LH		1
16	AGP09188200	FENDER, RH		1
17	AGP09188353	BRKT, LH FENDER MTG (RED)		1
18	AGP09188453	BRKT, RH FENDER MTG (RED)		1
19	AGP09188551	WRAP, REAR (BLACK)		1
20	AGP09188653	WRAP, REAR - LH (RED)		1
21	AGP09188753	WRAP, REAR - RH (RED)		1
22	AGP09189153	PANEL, HD CUPHOLDER (RED)		1
23	AGP09190800	HOLDER, CUP		1
24	AGP09362700	ROD, STIFFENER		2

Ref Number	Part Number	Part Description	Context Notes	Quantity
25	AGP09363253	STIFFENER, BACK WRAP (RED)		1
26	AGP05901913	BLT, HEX 0.4375-14X1 GR5 ZCC		2
27	AGP05901716	BLT, HEX .25-20X.75 G5 ZCC		2
28	AGP06500821	NUT-LK-CTR-FLG .25-20 ZC120		2

AGU991290 Frame - 60"

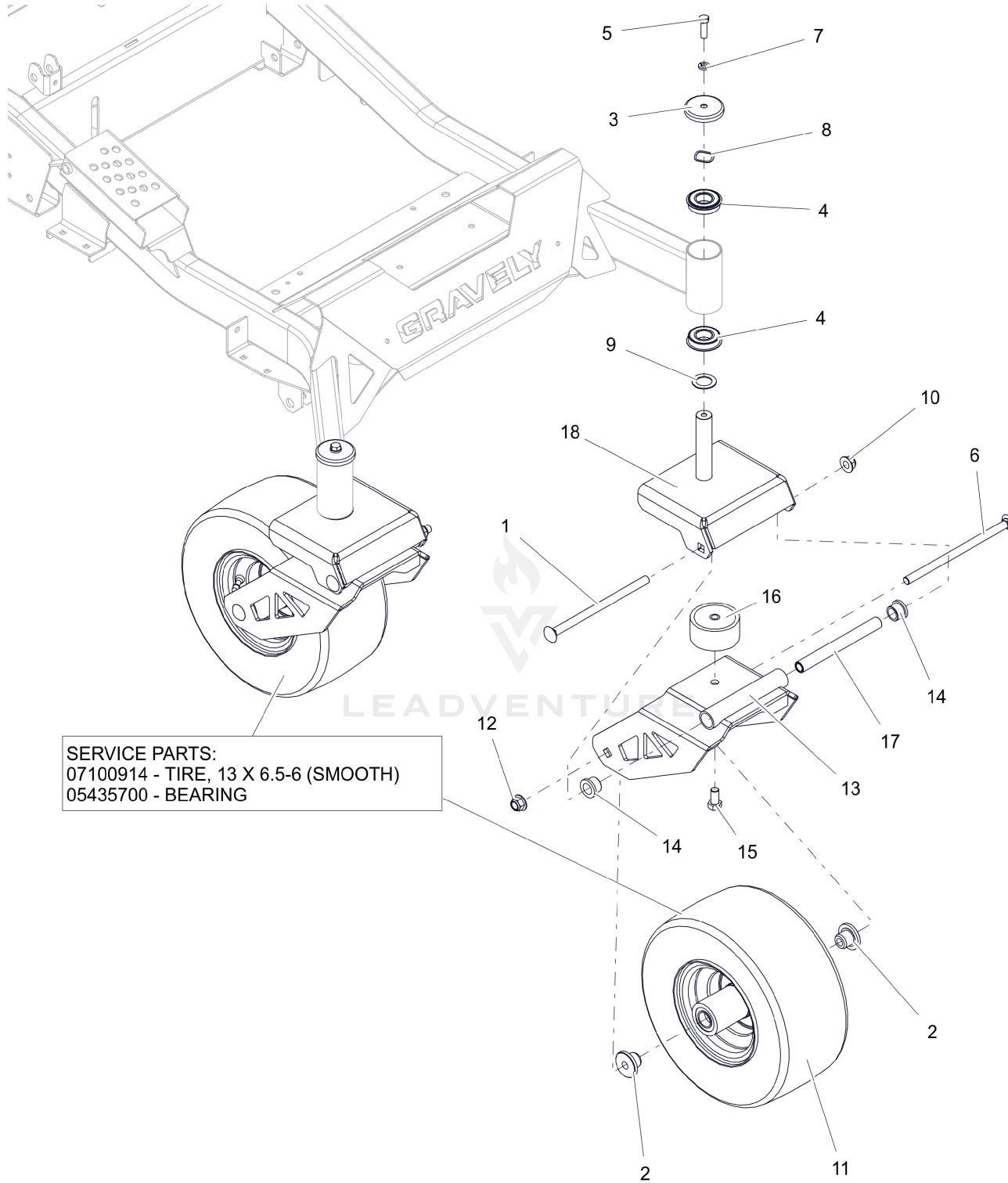


Rendered by LeadVenture, Inc.

AGU991290 Frame - 60"

Ref Number	Part Number	Part Description	Context Notes	Quantity
1	AGP59117400	WLDMT, MAIN FRAME -HD 60 (RED)		1
2	AGP03989100	BSHG-FLG .515X.750X.310X1.120		2
3	AGP04718451	PLATE, BACK FOOT-REST XL		1
4	AGP05104800	GRIP, FRONT		1
5	AGP05109100	GRIP, STEP		1
6	AGP05501319	SPACER, .515X.75X1.83		2
7	AGP05901716	BLT, HEX .25-20X.75 G5 ZCC		1
8	AGP05901737	BLT, HEX .50-13X3.00 G5 ZCC		2
9	AGP06401214	WSHR, RBR W/ADHESIVE .25X.75X.06		2
10	AGP06500813	NUT,NYL-FLG .25-20 GF ZCC		1
11	AGP06500815	NUT,SPNLK-FLG .31-18 G5 ZCC		2
12	AGP06500907	NUT-LK-TOP-FLG .500-13 GF ZCC		2
13	AGP06800120	RIVET, .1875 AL/AL .126-.250		2
14	AGP06800203	PIN, MAGNETIC .50X2.50		1
15	AGP07533600	BUMPER, RUBBER		2
16	AGP59113500	KIT,ACCESS PANEL W/DECALS-RED		1

AGU991290 Front Caster Wheels



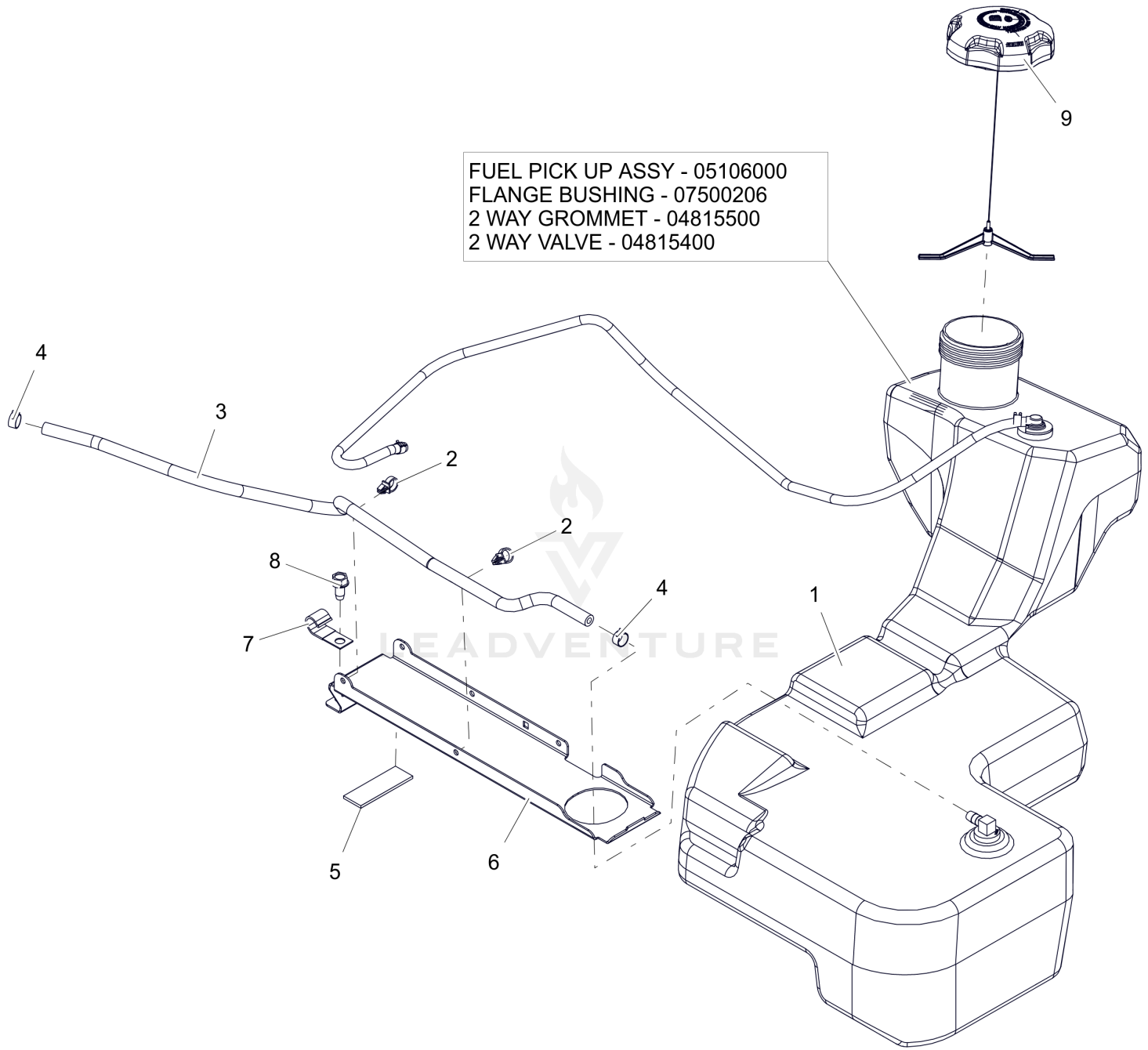
Rendered by LeadVenture, Inc.

AGU991290 Front Caster Wheels

Ref Number	Part Number	Part Description	Context Notes	Quantity
1	AGP06200321	BLT, RHSN .50-13X8.50 G5 ZCC		2
2	AGP00675300	SPACER, FRONT WHEEL		4
3	AGP05198400	SHIELD, AXLE BEARING		2
4	AGP05400728	BEARING, BALL -2.000 OD X 1.000 ID X .5625 W/RING		4
5	AGP05901724	BLT, HEX .38-16X1.25 G5 ZCC		2
6	AGP06200322	BTL,RHSN .500-13 X 9 G5 ZCC		2
7	AGP06300120	WSHR, LK-HVY .375X.115 ZCC		2
8	AGP06401030	WSHR-WAVE 1.0X1.25X.028 .145FH		2
9	AGP06416600	WSHR-HRD-THRS 1.007X1.542X.062		2
10	AGP06500810	NUT,NYL-FLG .50-13 GF ZCC		2
11	AGP07101226	ASM, WHL/TIRE 13X6.50-6		2
11	AGP07101508	TIRE TUBE 13X6.5-6	Component Service Part	2
12	AGP06500810	NUT,NYL-FLG .50-13 GF ZCC		2
13	AGP09360553	WLDMT, LOWER SUSPENSION (RED)		2
14	AGP03985500	BUSHING, FLANGE .75X.75X1.0		4
15	AGP05901715	BLT, HEX .50-13X1.00 G5 ZCC		2
16	AGP09361200	SPCR, RUBBER SUSPENSION		2
17	AGP09361100	ROD, FORK PIVOT		2
18	AGP09498253	WLDMT- UPPER SUSPENSION FORK		2
19	AGP07100914	TYRE, 13X6.50-6 SMOOTH	Component Service Part	2
20	AGP05435700	BRG, 25MM ID X 52MM OD X 15MM	Component Service Part	4

AGU991290 Fuel System

FUEL PICK UP ASSY - 05106000
FLANGE BUSHING - 07500206
2 WAY GROMMET - 04815500
2 WAY VALVE - 04815400

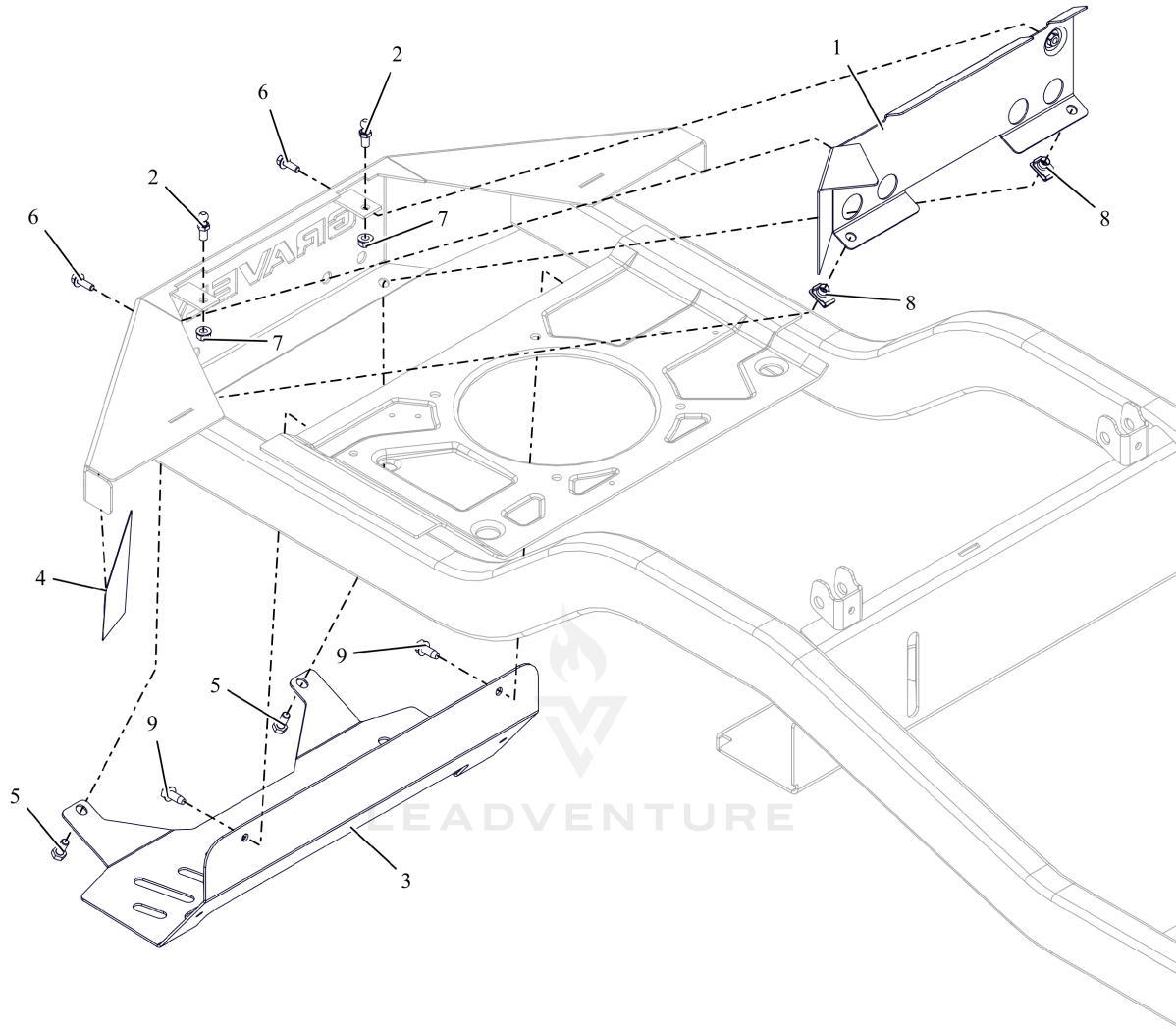


Rendered by LeadVenture, Inc.

AGU991290 Fuel System

Ref Number	Part Number	Part Description	Context Notes	Quantity
1	AGP09167300	ASM, FUEL TANK-HD		1
2	AGP00367900	ROUTING CLIP (1/2" ID)		2
3	AGP03278100	1 INCH OF HOSE, .25 LOW-PERM BULK GAS		1
4	AGP03278800	CLAMP, FUEL LINE		2
5	AGP04850000	PAD,RBR 1.0"X3.0" W/ADHESIVE		1
6	AGP05024151	BRKT, FUEL TANK HOLD DOWN		1
7	AGP06916000	J-CLAMP		1
8	AGP07400129	SCR,TAP .375-16X.75 HWH TR ZCC		1
9	AGP09190300	CAP, FUEL - 3.50 RATCHET INLET VENT		1
10	AGP051060000	FUEL PICK UP ASSEMBLY	Component Service Part	1
11	AGP07500206	BSHG-FLG .375X1.062X.625 NITR	Component Service Part	1
12	AGP04815500	GROMMET, 2-WAY	Component Service Part	1
13	AGP04815400	VALVE, 2-WAY	Component Service Part	1

AGU991290 Heat Shield

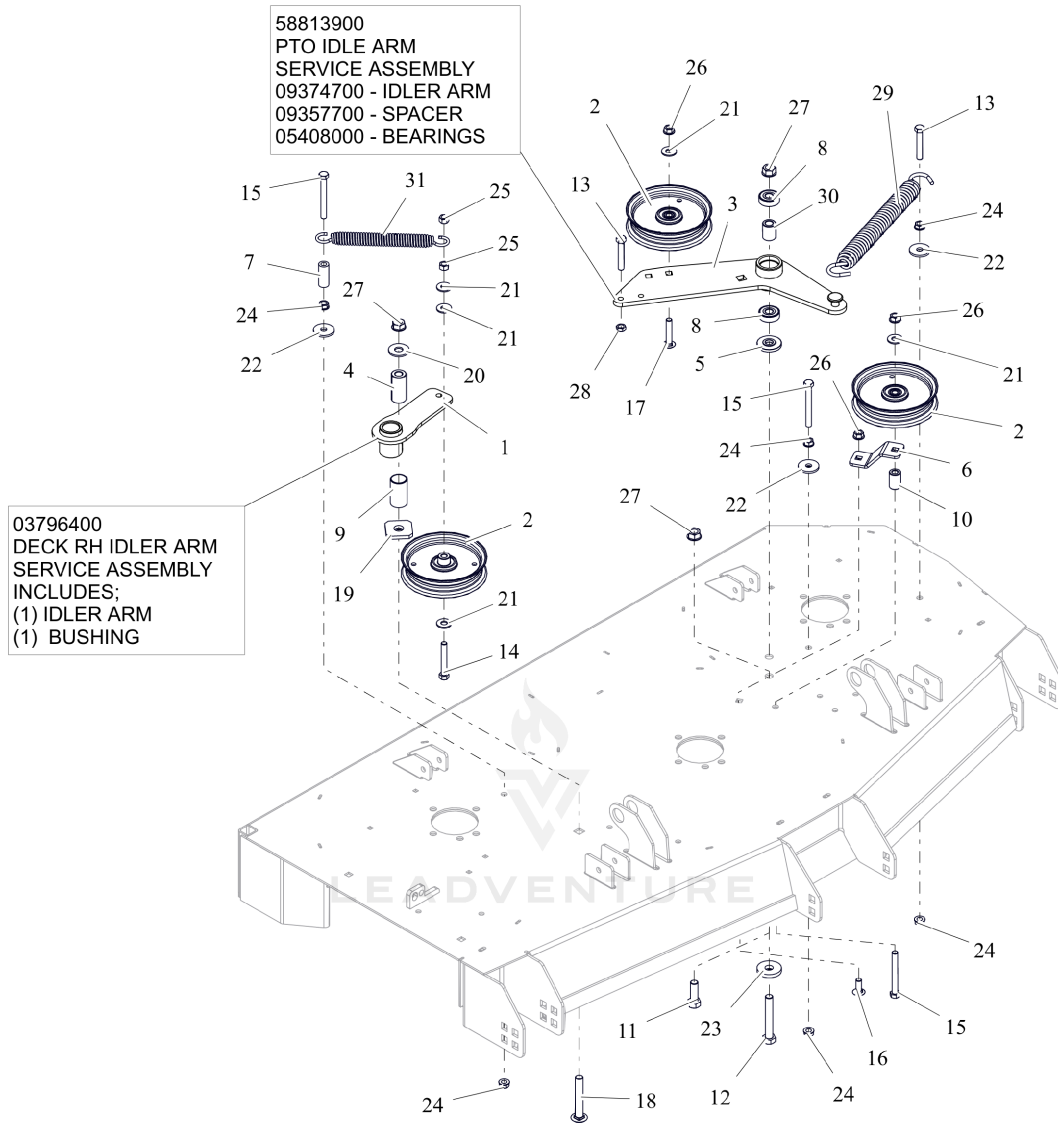


Rendered by LeadVenture, Inc.

AGU991290 Heat Shield

Ref Number	Part Number	Part Description	Context Notes	Quantity
1	AGP05116751	WMT, HEAT BAFFLE		1
2	AGP03652200	STUD- BALL		2
3	AGP05082851	SHIELD, HEAT (HD)		1
4	AGP05116800	TAPE, HEAT DEFLECTOR		1
5	AGP05901704	BLT,HEX .31-18X.75 G5 ZCC		2
6	AGP05901731	BLT,HEX-FLG .25-20X.75 G5 BFP		2
7	AGP06500840	NUT,LK-CTR-FLG .31-18 GF ZCC		2
8	AGP07000829	NUT-CLIP RETAINER 5/16-18X.56		2
9	AGP07400127	SCR,TAP .312-18X.75 HWH TR ZCC		2

AGU991290 Idlers & Sheaves - 52" & 60"



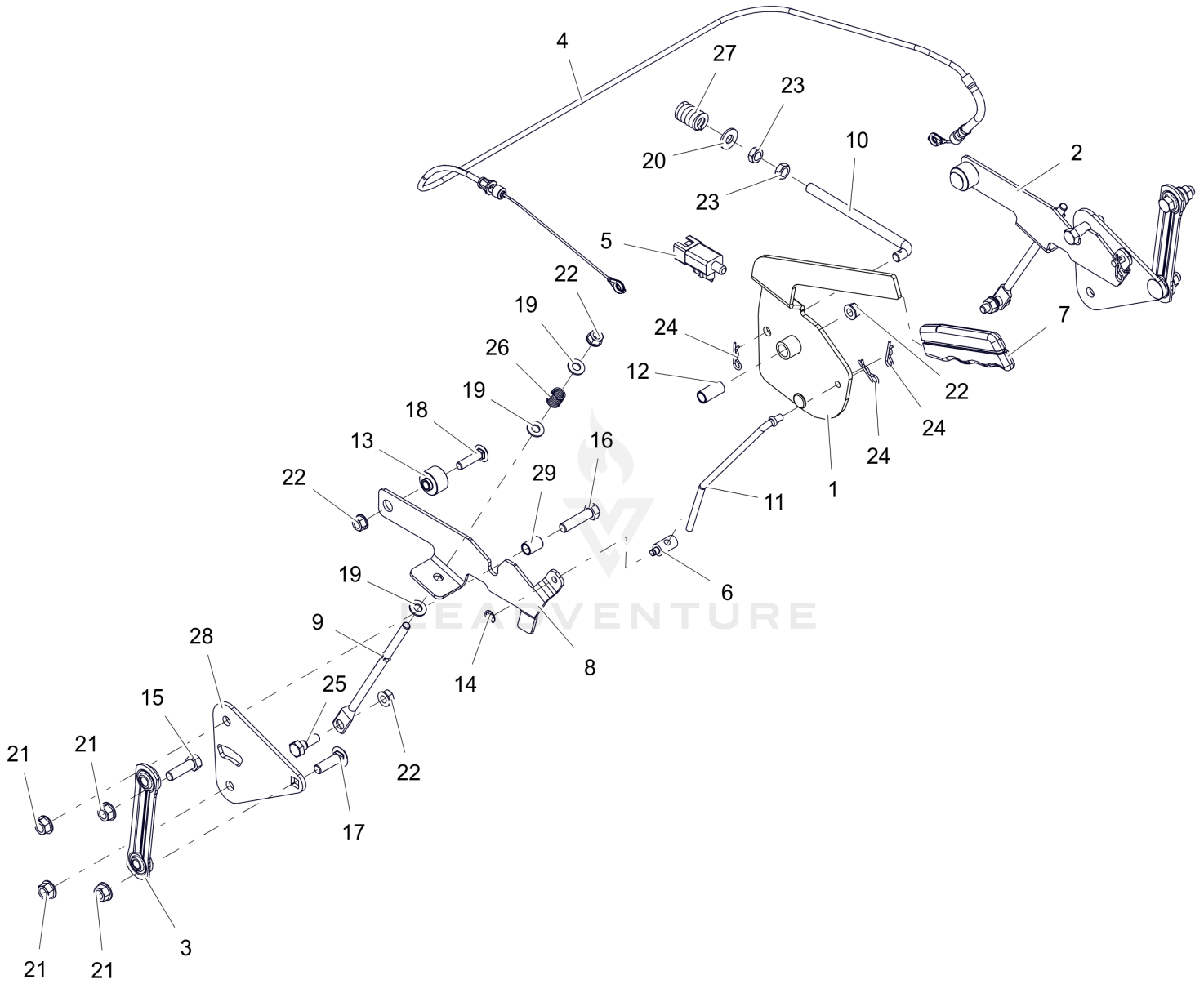
Rendered by LeadVenture, Inc.

AGU991290 Idlers & Sheaves - 52" & 60"

Ref Number	Part Number	Part Description	Context Notes	Quantity
1	AGP03774151	WMT, IDLER ARM - BLACK		1
2	AGP07351200	IDLER- FLAT - 5.00" X .75"		3
3	AGP09374700	WLDMT, IDLER ARM PT660		1
4	AGP01581700	BSHG, SPCR .502X.997X2.03 PM		1
5	AGP04714600	SPACER, IDLER ARM		1
6	AGP04981853	PTO FIXED IDLER MTG BRKT -RED		1
7	AGP05278000	HOSE, .38 X 1.65		1
8	AGP05408000	BRG-BALL .500X1.38X.437		2
9	AGP05501234	BSHG, 1.00X1.125X1.937		1
10	AGP05501308	BUSHING, SLV .380X.750X1.190		1
11	AGP05901631	BLT,HEX .50-13X1.50 G5 ZCC		1
12	AGP05901634	BLT,HEX .50-13X3.25 G5 ZCC		1
13	AGP05901640	BLT,HEX .38-16X2.25 G5 ZCC		2
14	AGP05901812	BLT, HEX .38-16X2.50 G5 ZCC		1
15	AGP05901817	BLT, HEX .38-16X3.25 G5 ZCC		3
16	AGP06200235	BLT,RHSSN .38-16X1.00 G5 ZCC		1
17	AGP06200323	BLT,RHSSN.375-16X2.00 G5 ZCC		1
18	AGP06200339	BTL,RHSSN .500-13 X 3.25 G5 ZCC		1

Ref Number	Part Number	Part Description	Context Notes	Quantity
19	AGP06400829	WSHR-FLT .640X1.75X.250		1
20	AGP06401012	WSHR,FLT .563X1.375X.109 ZCC		1
21	AGP06401008	WSHR,FLT .438X1.00X.083 ZCC		5
22	AGP06401121	WSHR,FLT .406X1.375X.135 ZCC		3
23	AGP06401213	WSHR-FL-STL 0.557X1.625X0.25 ZCC		1
24	AGP06500735	NUT, SPNLK-FLG .38-16 G5 ZCC		6
25	AGP06500825	NUT-LK-CTR .38-16 ZC120		2
26	AGP06500901	NUT-LK-CTR-FLG .375- 16 GF ZCC		3
27	AGP06500902	NUT-LK-CTR-FLG .500- 13 GG ZCC		3
28	AGP06500910	NUT-JAM .375-16 G2 ZCC		1
29	AGP08300708	SPRING, EXTENSION		1
30	AGP09357700	SPACER .510 X .75 X 1.1485		1
31	AGP08300728	SPRING- EXTENSION		1
32	AGP58813900	PTO IDLER ARM	Component Service Assembly	1
33	AGP09374700	WLDMT, IDLER ARM PT660	Component Service Part	1
34	AGP09357700	SPACER .510 X .75 X 1.1485	Component Service Part	1
35	AGP05408000	BRG-BALL .500X1.38X.437	Component Service Part	1
36	AGP03796400	ASM, IDLER ARM (DECK)	Component Service Assembly	1

AGU991290 Parking Brake



Rendered by LeadVenture, Inc.

AGU991290 Parking Brake

Ref Number	Part Number	Part Description	Context Notes	Quantity
1	AGP04998551	LEVER, PARKING BRAKE		1
2	AGP04998600	ARM, BRAKE - LH (W/PIN)		1
3	AGP05199700	LINK, STAMPED STEERING		2
4	AGP06900706	CABLE, BRAKE - PARKING		1
5	AGP03834300	SWITCH, SNAP IN - N.O./N.O.		1
6	AGP03764800	TRUNION, 1/4-20		1
7	AGP05097200	GRIP, PARKING		1
8	AGP09389500	ARM, BRAKE - RH		1
9	AGP04999000	ROD, LINK - TRANSMISSION BRAKE		2
10	AGP04999100	ROD, OVER CENTER		1
11	AGP05000600	ROD, BRAKE LINK		1
12	AGP05500106	BSHG-SLV .385X.500X1.045		1
13	AGP05501315	SPCR, FLANGE		2
14	AGP05700125	RG-RTNG-EXT .250X.025		1
15	AGP05901724	BLT, HEX .38-16X1.25 G5 ZCC		2
16	AGP05901928	BLT, HEX .38-16X1.50 G5 ZCC		2
17	AGP06200236	BLT,RHSSN .38-16X1.25 G5 ZCC		2
18	AGP06200310	BTL,RHSSN .313-18 X 1.25 G5 ZCC		2
19	AGP06401017	WSHR,FLT .344X.688X.065 ZCC		6
20	AGP06401023	WSHR,FLT .375X.875X.083 ZCC		1
21	AGP06500822	NUT-LK-TOP-FLG .38-16 ZC120		8
22	AGP06500904	NUT-LK-TOP-FLG .312-18 GF ZCC		7
23	AGP06500910	NUT-JAM .375-16 G2 ZCC		2
24	AGP06700222	PIN, HAIR #213 .08X1.19 ZCC		4
25	AGP07001734	BOLT,SHLDR .38X.25 -.31-18X.75		2
26	AGP08300028	SPRING, COMPRESSION		2
27	AGP08320900	SG-COMP .187X.56X1.62		1

Ref Number	Part Number	Part Description	Context Notes	Quantity
28	AGP09191051	PLATE, TRANSAXLE (BLACK)		2
29	AGP09374800	SPCR SLEEVED .385X.500X.718		2

AGU991290 Quick Reference Service Parts



LEADVENTURE
GENUINE

OEM PARTS

Rendered by LeadVenture, Inc.

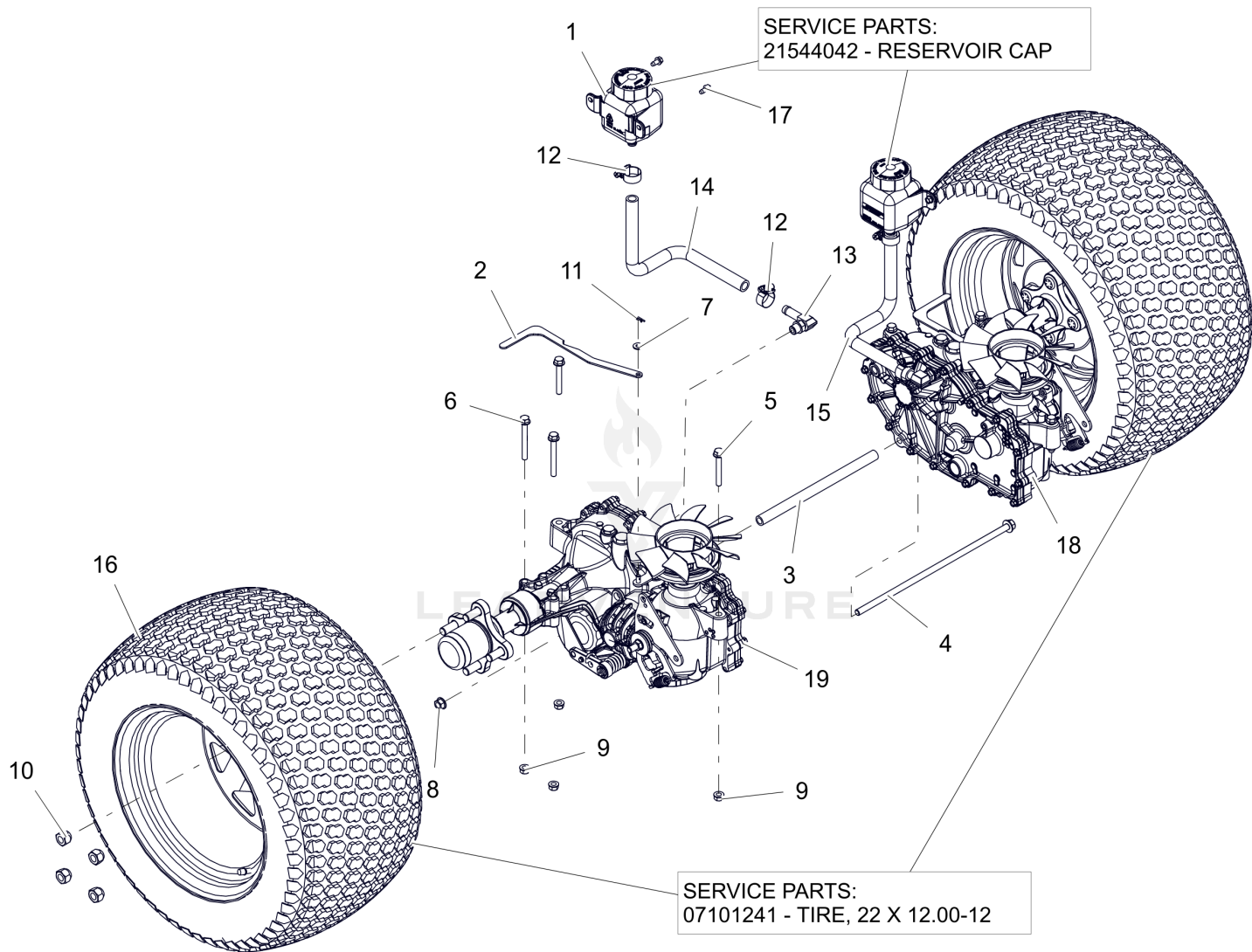
AGU991290 Quick Reference Service Parts

Ref Number	Part Number	Part Description	Context Notes	Quantity
	AGA707219	KIT- TUNE UP-KAWISAKI FX	Engine Maintenance Kit, Includes 2 Quarts of Gravely 10W40 Oil, OEM Oil Filter, OEM Fuel Filter, OEM Inner Air Filter, OEM Outer Air Filter, 2 Spark Plugs	1
	AGP21548100	OIL FILTER, KAWASAKI FR	Oil Filter	1
	AGP00076900	OIL, 32OZ BOTTLE GRAVELY 10W30	Engine Oil (32 OZ Bottle)	3
	AGP00099700	OIL- BOTTLE-GRAVELY 10W40 32OZ	Engine Oil (32 OZ Bottle)	3
	AGP21548800	FILTER, OUTER	Air Filter (Primary)	1
	AGP21548700	FILTER, INNER - KAW	Air Filter (Secondary)	1
	AGP21548101	FUEL FILTER-KAWASAKI FR	Fuel filter	1
	AGP21536100	PLUG, SPARK	Spark Plug	2
	AGP09287000	KEY, W/ SHIELD	Replacement Ignition Key	1
	AGP04730300	ETHANOL TREATMENT-4 OZ-GRAVELY	Ethanol Fuel Treatment	1
	AGP06900619	CABLE, PRO THROTTLE CONTROL	Throttle Cable	1
	AGP06900621	CABLE - CHOKE, SNAP-IN	Choke Cable	1
	AGP59402700	KIT, HYDRO OIL AND FILTERS	Transmission Kit, Includes 5 Quarts of Hydro Fluid and 2 Transmission Oil Filters	1
	AGP21544900	FILTER, HYDRO-GEAR 2800 TRANS	Transmission Filter	1

Ref Number	Part Number	Part Description	Context Notes	Quantity
	AGP00057100	FLUID, HYDRO 15W50 QT	Hydraulic Transmission Oil used to service the Transmission	5
	AGP00058200	FLUID- HYDRO 15W50 GAL SYNTH	Hydraulic Transmission Oil used to service the Transmission	2
	AGP07225600	V-BELT, 4L-WRAPPED	Transaxle Belt (Engine Pulley to Transaxles)	1
	AGP07200817	V-BELT, HB SECTION	PTO Belt (Clutch to Spindle Pulley(s))	1
	AGP07200807	V-BELT, B-COGGED	Deck Belt (Center Spindle Pulley to Right Spindle Pulley)	1
	AGP58810800	ASM, MAINT FREE ALUM SPINDLE	Deck Spindle	3
	AGP03253900	BLADE, 20.5"	Standard Blade	3
	AGP04887700	BLADE, 60" MULCH	Mulching Blade	3
	AGP09652900	BLADE- 20.5" .25" THK TOOTHED	Toothed Gator Blade	3
	AGA715174	KIT, DBL WHEEL ANTI-SCALP 5X3	Double wheel anti-scalp wheel kit includes two anti-scalp wheels and the necessary hardware	1
	AGP07100914	TYRE, 13X6.50-6 SMOOTH	Front Tire	2
	AGP07101508	TIRE TUBE 13X6.5-6	Front Tire Tube	2
	AGP07101241	TIRE, 22X12.00-12	Rear Tire	2
	AGP07140500	TUBE 22,23&24X8.50/9.50/10.00/10.50/12.00-12	Rear Tire Tube	2

Ref Number	Part Number	Part Description	Context Notes	Quantity
	AGP05139700	PAINT- TOUCH UP - P47 CHARCOAL	Charcoal Touch up Paint	1
	AGP00026600	PAINT - GRAVELY RED - TOUCH UP	Red Touch up Paint	1
	AGP05139600	PAINT- SPRAY - P47 CHARCOAL	Charcoal Spray Paint	1
	AGP00008700	GRAVELY RED SPRAY PAINT ENAMEL	Red Spray Paint	1

AGU991290 Rear Tires & Transaxles - 60"

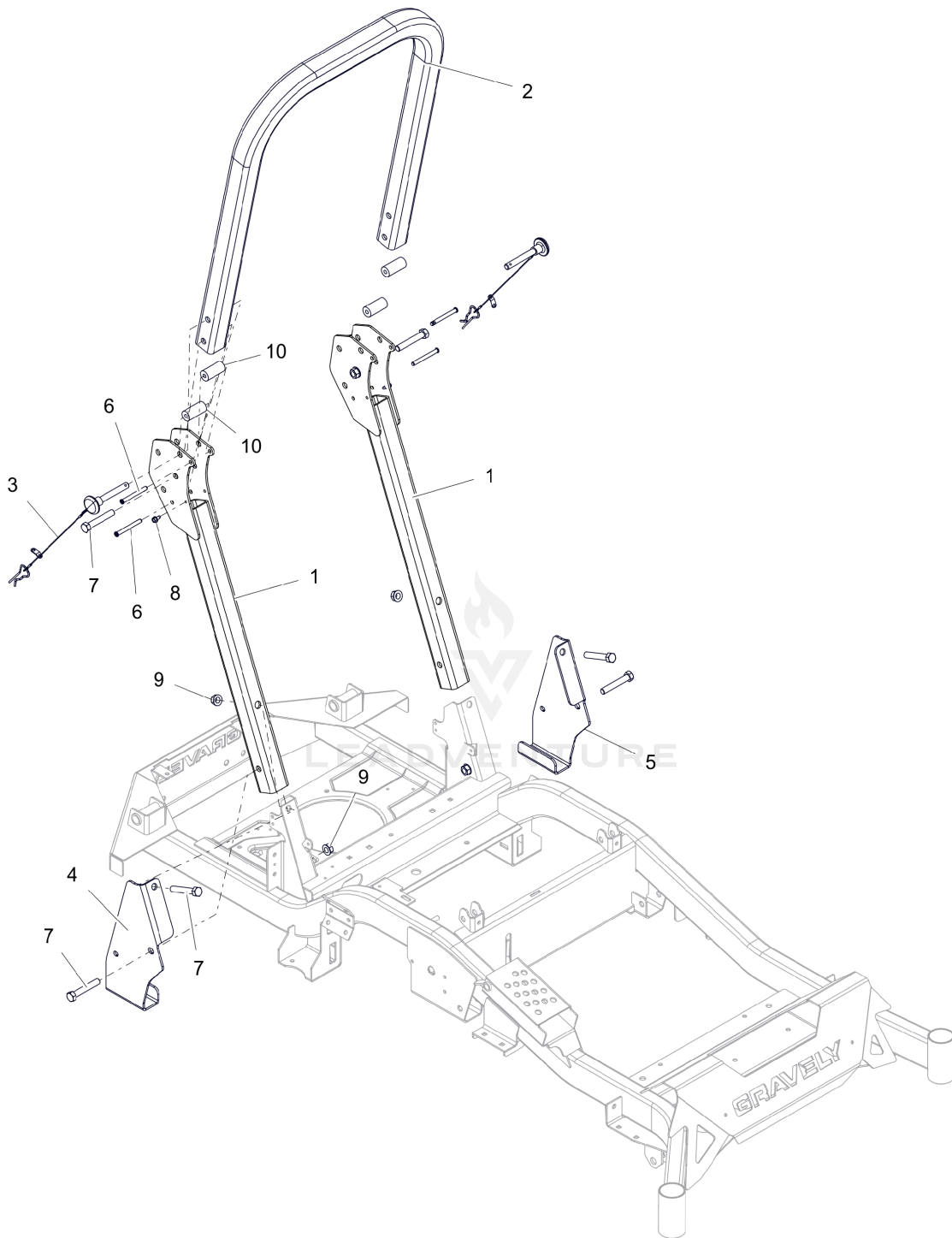


Rendered by LeadVenture, Inc.

AGU991290 Rear Tires & Transaxles - 60"

Ref Number	Part Number	Part Description	Context Notes	Quantity
1	AGP02970200	TANK, EXPANSION		2
2	AGP05076751	BRKT, VALVE DUM		2
3	AGP05196451	SPCR, TRANSAXLE .406 ID X .630 OD X 9.95LG (BLACK)		1
4	AGP05901903	BLT, HEX-FLG 0.375-16X13 GR5 ZC120		1
5	AGP05901910	BLT,HEX-FLG .31-18X2.25 G5 ZCC		4
6	AGP05901911	BLT,HEX-FLG .31-18X2.75 G5 ZCC		4
7	AGP06401001	WSHR,FLT .281X.625X.065 ZCC		2
8	AGP06500822	NUT-LK-TOP-FLG .38-16 ZC120		1
9	AGP06500840	NUT,LK-CTR-FLG .31-18 GF ZCC		8
10	AGP06500926	NUT, WHEEL .50-20 ZCC		8
11	AGP06700223	PIN, HAIR #225 .072X1.09		2
12	AGP06923500	CLAMP,.88 DIA. HOSE		4
13	AGP07001528	FITTING, HYD (90 DEG)		2
14	AGP07001803	HOSE, FORMED EXPANSION -HD RH		1
15	AGP07001804	HOSE, FORMED EXPANSION -HD LH		1
16	AGP07101227	ASM, WHL/TIRE 22X12.00-12 K500		2
16	AGP07140500	TUBE 22,23&24X8.50/9.50/10.00/10.50/12.00-12	Component Service Part	2
17	AGP07400122	SCR-TAP .25-20X.50 HWH ZCC		4
18	AGP09360900	TRANSAXLE, ZT3200 - LH		1
19	AGP09361000	TRANSAXLE, ZT3200 - RH		1
20	AGP21544042	CAP, HYDRO RESERVOIR REPLAC.	Component Service Part	2
21	AGP07101241	TIRE, 22X12.00-12	Component Service Part	2

AGU991290 ROPS



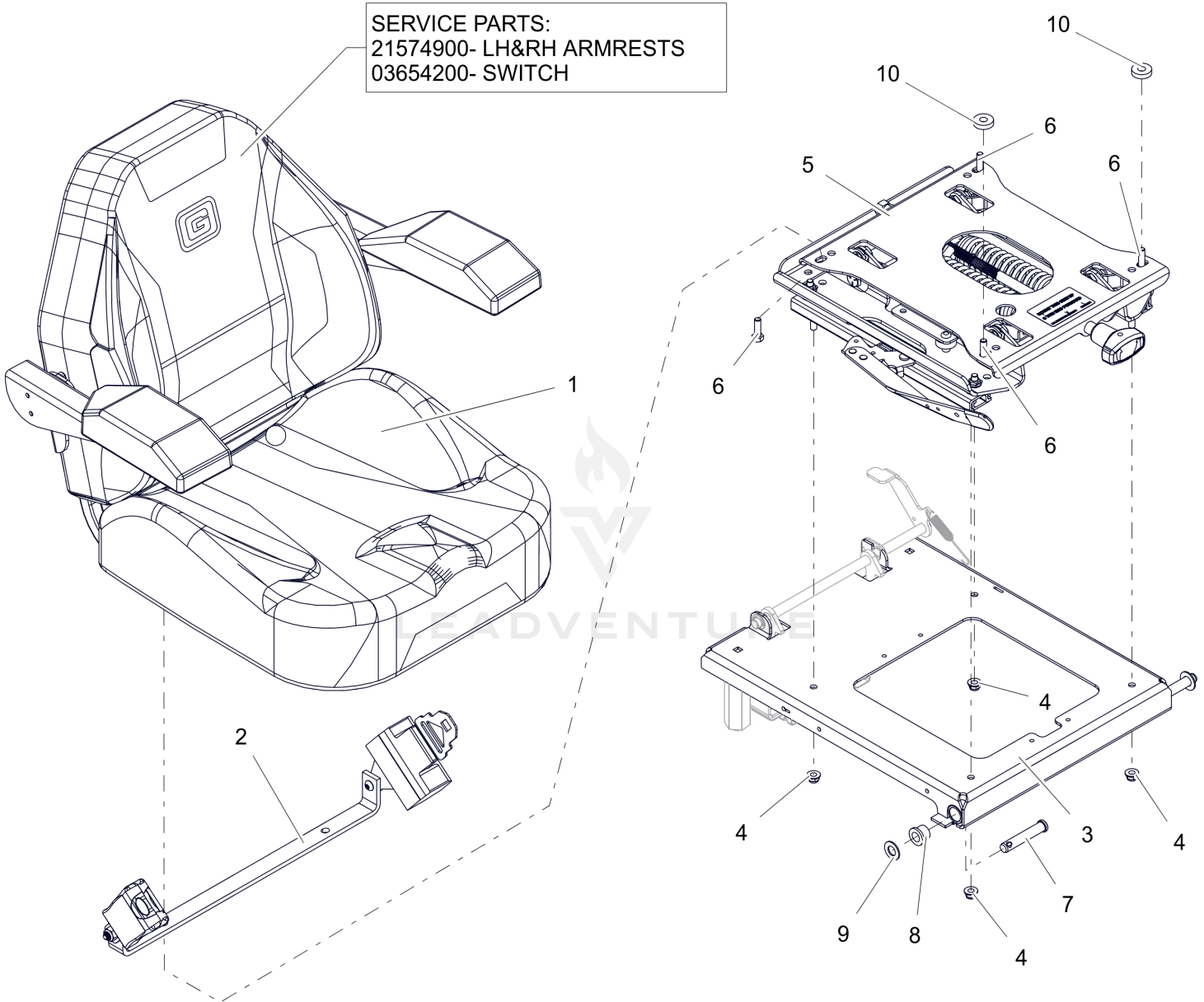
Rendered by LeadVenture, Inc.

AGU991290 ROPS

Ref Number	Part Number	Part Description	Context Notes	Quantity
1	AGP59113900	ROPS, REPLACEMENT		2
2	AGP05022300	HOOP, PT Z & ZX ROPS		1
3	AGP04898200	PIN, ROPS W/LANYARD		2
4	AGP05116451	BRKT, ROPS SUPPORT - RH		1
5	AGP05116551	BRKT, ROPS SUPPORT -LH		1
6	AGP07001826	PIN, SLIC .312 X 2.570		4
7	AGP05901737	BLT, HEX .50-13X3.00 G5 ZCC		6
8	AGP07400122	SCR-TAP .25-20X.50 HWH ZCC		2
9	AGP06500902	NUT-LK-CTR-FLG .500-13 GG ZCC		6
10	AGP04884200	BUMPER, ROPS ANTI- VIBRATION		4

AGU991290 Seat

SERVICE PARTS:
21574900- LH&RH ARMRESTS
03654200- SWITCH

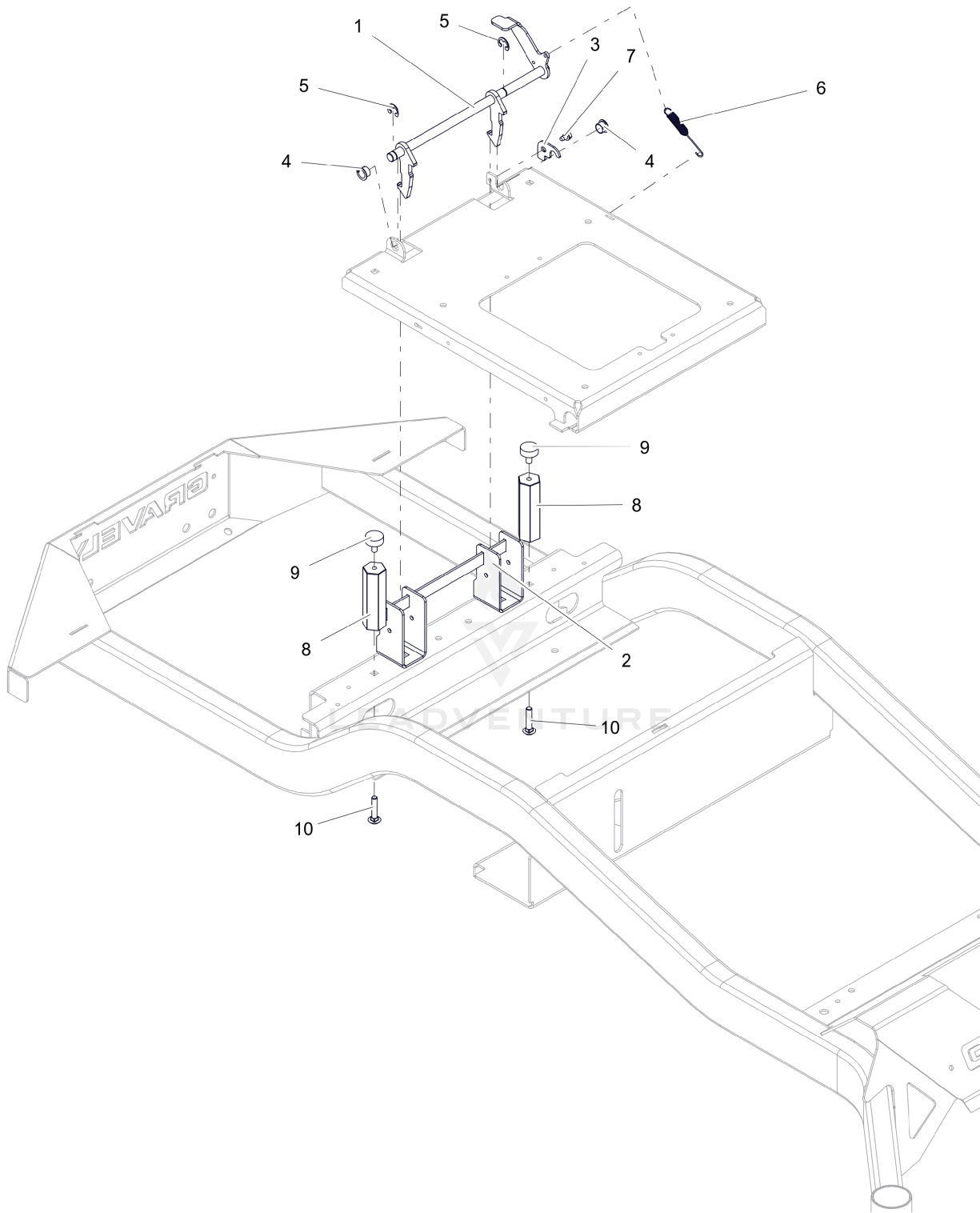


Rendered by LeadVenture, Inc.

AGU991290 Seat

Ref Number	Part Number	Part Description	Context Notes	Quantity
1	AGP09190900	SEAT, HD		1
2	AGP59110000	KIT, SEAT BELT W/ HDWR		1
3	AGP05255751	WLDMT, SEAT PLATE (BLACK)		1
4	AGP06500809	NUT,NYL-FLG .31-18 GF ZCC		4
5	AGP09380900	SUSPENSION, ULTRA LOW W/ SLIDES		1
6	AGP05901701	BLT,HEX .31-18X1.00 G5 ZCC		4
7	AGP06800202	PIN, SLIC-.500X42.70X2.31 - ZC		2
8	AGP05500901	BSHG, FLG .516X.750X.625X.937		2
9	AGP06401115	WSHR, FLT .531X1.00X.063 ZCC		2
10	AGP06401125	WSHR, FLT .390X1.00X.250 ZCC		2
11	AGP21574900	LH&RH ARMRESTS	Component Service Part	1
12	AGP03654200	SWITCH- SEAT	Component Service Part	1

AGU991290 Seat Latch

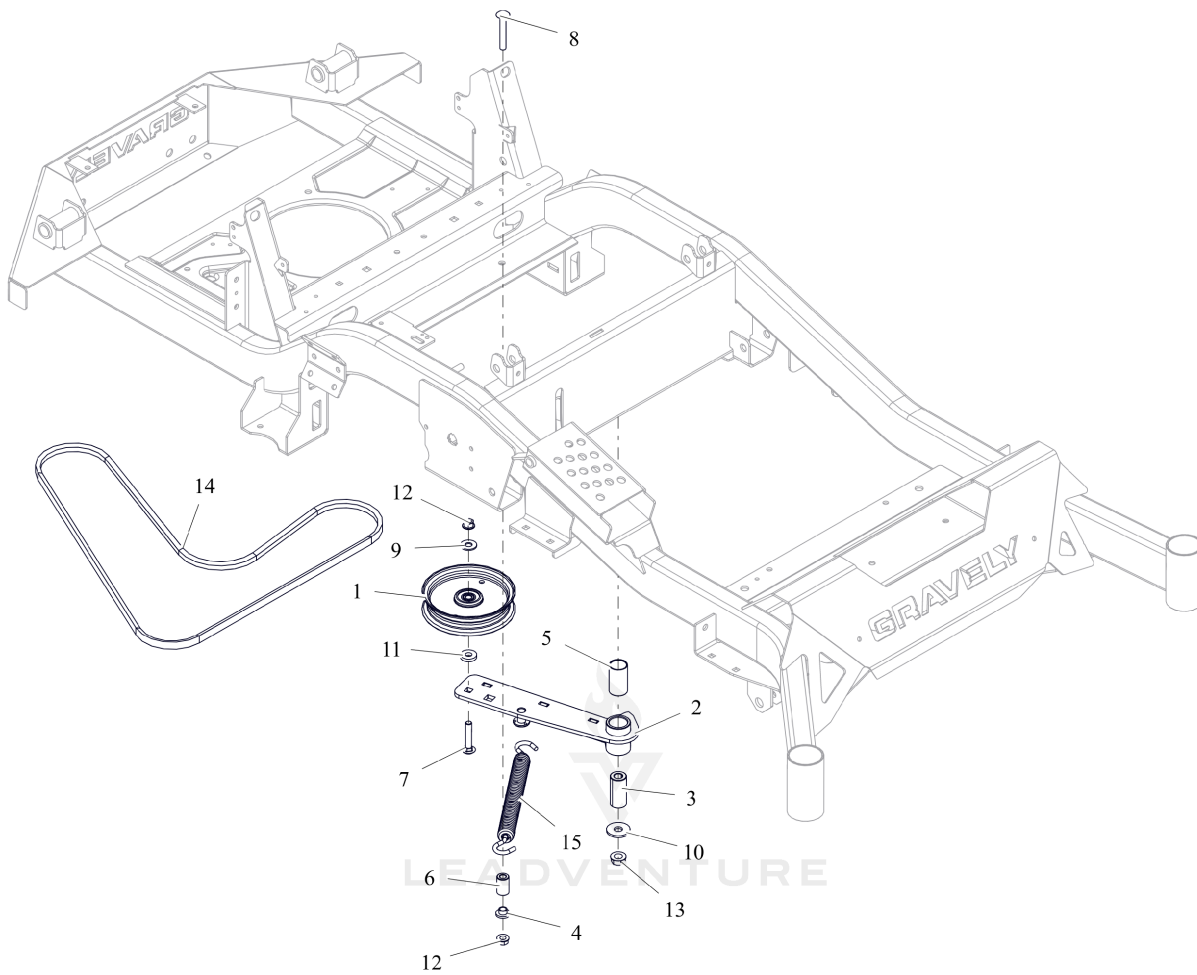


Rendered by LeadVenture, Inc.

AGU991290 Seat Latch

Ref Number	Part Number	Part Description	Context Notes	Quantity
1	AGP05255851	WLDMT, SEAT LATCH (BLACK)		1
2	AGP05118451	WLDMT, LATCH RECEIVER		1
3	AGP05255951	BRKT, ROD KEEPER (BLACK)		1
4	AGP05500026	BUSHING, POLYLINER-.50 SPLIT		2
5	AGP05710200	RG-RTNG-EXT .500X.042 (E)		2
6	AGP08321100	SG-TENS .043X.44X3.31 WLD 5.8		1
7	AGP07400125	SCR,TAP .25-20X.375 HWH TR ZCC		1
8	AGP06553300	NUT, COUPLER 5/16-18 X 1.125X 3.8		2
9	AGP07533600	BUMPER, RUBBER		2
10	AGP06200233	BLT,RHSN .31-18X1.50 G5 ZCC		2

AGU991290 Transaxle Drive

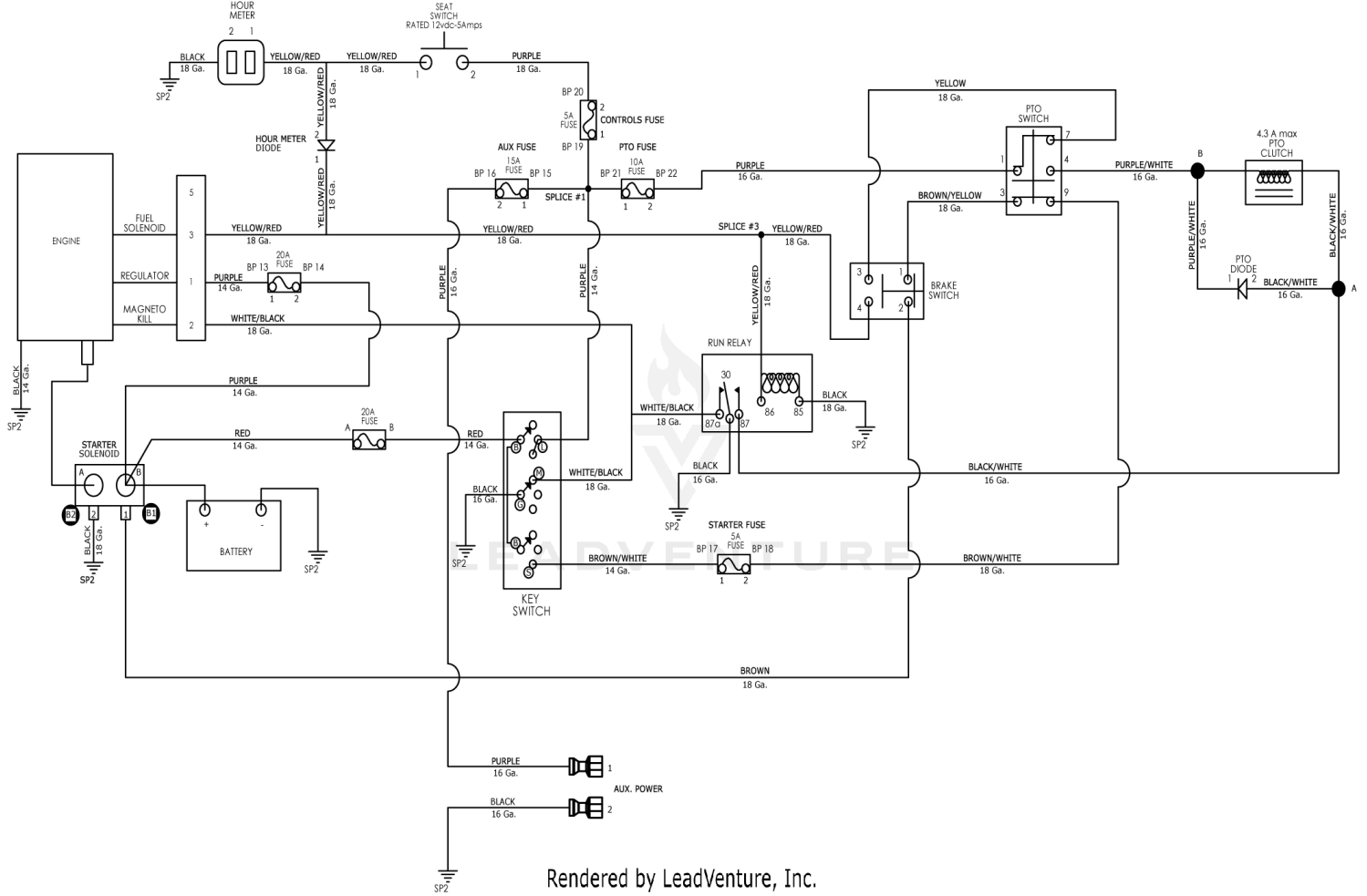


Rendered by LeadVenture, Inc.

AGU991290 Transaxle Drive

Ref Number	Part Number	Part Description	Context Notes	Quantity
1	AGP07351200	IDLER- FLAT - 5.00" X .75"		1
2	AGP59116700	WLDMT, HYDRO DRIVE IDLER ARM (BLACK)		1
3	AGP01581700	BSHG, SPCR .502X.997X2.03 PM		1
4	AGP05500435	BSHG-FLG .385X.500X.875X.406		1
5	AGP05501234	BSHG, 1.00X1.125X1.937		1
6	AGP05501308	BUSHING, SLV .380X.750X1.190		1
7	AGP06200314	BLT, RHSN .38-16X2.00 G5 ZCC		1
8	AGP06200315	BLT, RHSSN.38-16X2.50 G5 ZCC		1
9	AGP06401008	WSHR,FLT .438X1.00X.083 ZCC		1
10	AGP06401022	WSHR-FL- STL.511X1.44X.125ZC120		1
11	AGP06401108	WSHR, FLT .406X1.00X.188 ZCC		1
12	AGP06500822	NUT-LK-TOP-FLG .38-16 ZC120		2
13	AGP06500907	NUT-LK-TOP-FLG .500-13 GF ZCC		1
14	AGP07225600	V-BELT, 4L-WRAPPED		1
15	AGP08300711	SPRING, EXTENSION		1

AGU991290 Wiring Diagram - 05155300



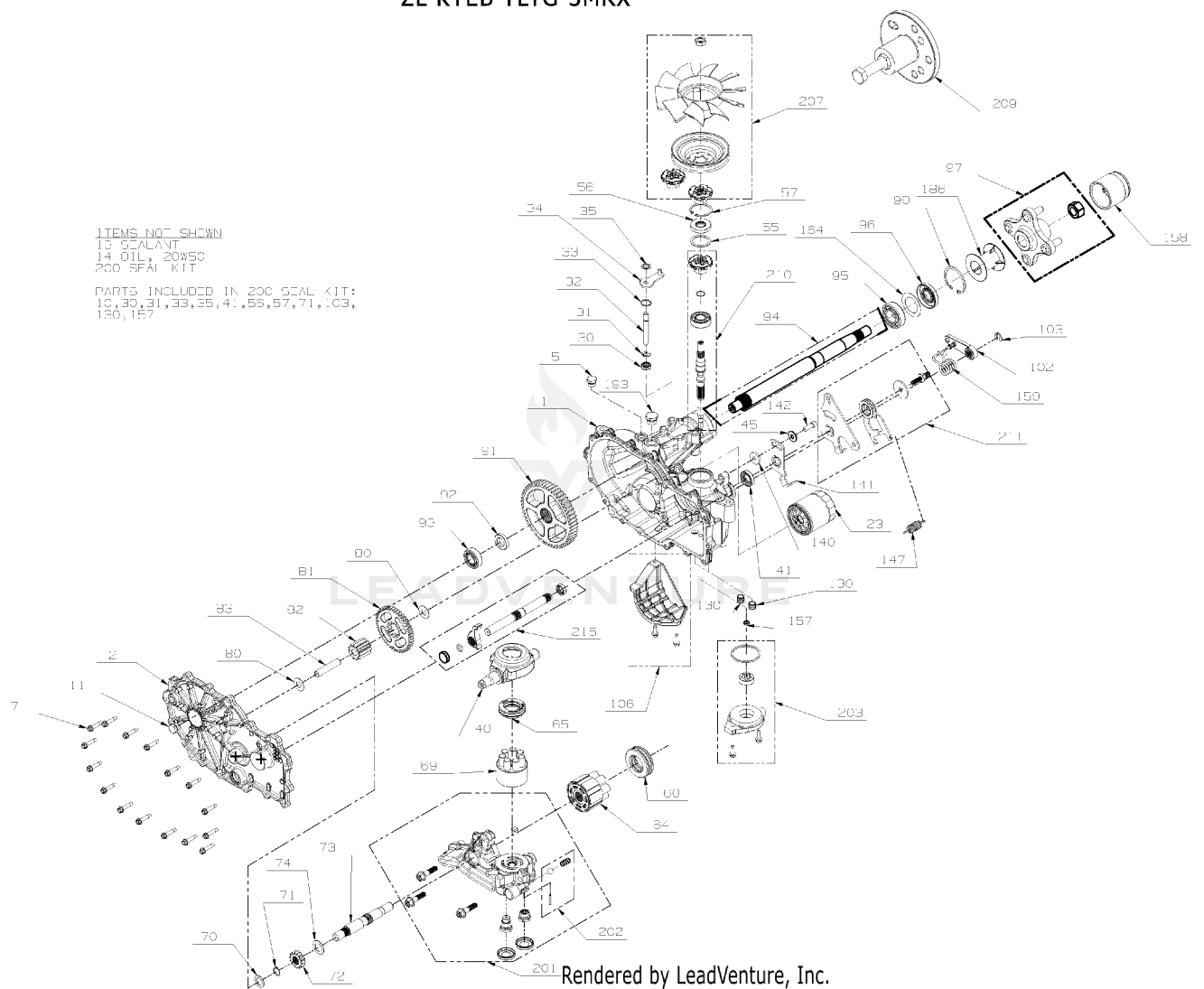
Rendered by LeadVenture, Inc.

AGU991290 Wiring Diagram - 05155300

Ref Number	Part Number	Part Description	Context Notes	Quantity
-------------------	--------------------	-------------------------	----------------------	-----------------

AGU991290 ZT 3200 Series - 09360900

ZL-KTEB-TLYG-3MRX



AGU991290 ZT 3200 Series - 09360900

Ref Number	Part Number	Part Description	Context Notes	Quantity
5	AGP21500049	PLUG EXT HEX VENT 9/16 18		1
7	AGP27105900	SCREW,HEX WASHER 1/4-20X1.125		16
11	AGP21500049	PLUG EXT HEX VENT 9/16 18		1
13	AGP21543771	SEALANT TUBE 10.1OZ.		1
14	AGP00058100	FLUID, HYDRO 20W50 QT	Reccomended Oil Approximatley 72 oz	2
14	AGP00057100	FLUID, HYDRO 15W50 QT	Optional Oil Approximatley 72 oz	2
23	AGP21544900	FILTER, HYDRO-GEAR 2800 TRANS		1
30	AGP21500013	Seal, lip .375 x 375 x 325		1
31	AGP08622500	RING. RETAINING		1
34	AGP21548901	HG BYPASS ARM (52370)		1
35	AGP21543848	RING, RTNG .		1
40	AGP21543783	TRUNNION, SWASHPLATE		1
41	AGP21543809	SEAL, LIP 18X32X7		1
45	AGP08611200	WASHER		1
55	AGP21543773	WASHER 1.23X1.56X.04		1
56	AGP21543816	SEAL, LIP 17X40X7		1
57	AGP21543741	RING, RET 1.56 INT		1
60	AGP21548902	HG THRUST BEARING (51462)		1
64	AGP21548904	HG 16CC CYLINDER BLOCK (71579)		1
65	AGP08609100	BEARING. THRUST 30 X 52 X 13		1
69	AGP21543921	ASSY, BLOCK 7 PISTON		1
70	AGP21543708	WASHER .63X1.0X.05		1
71	AGP21543704	RING, RET 62 EXT		1

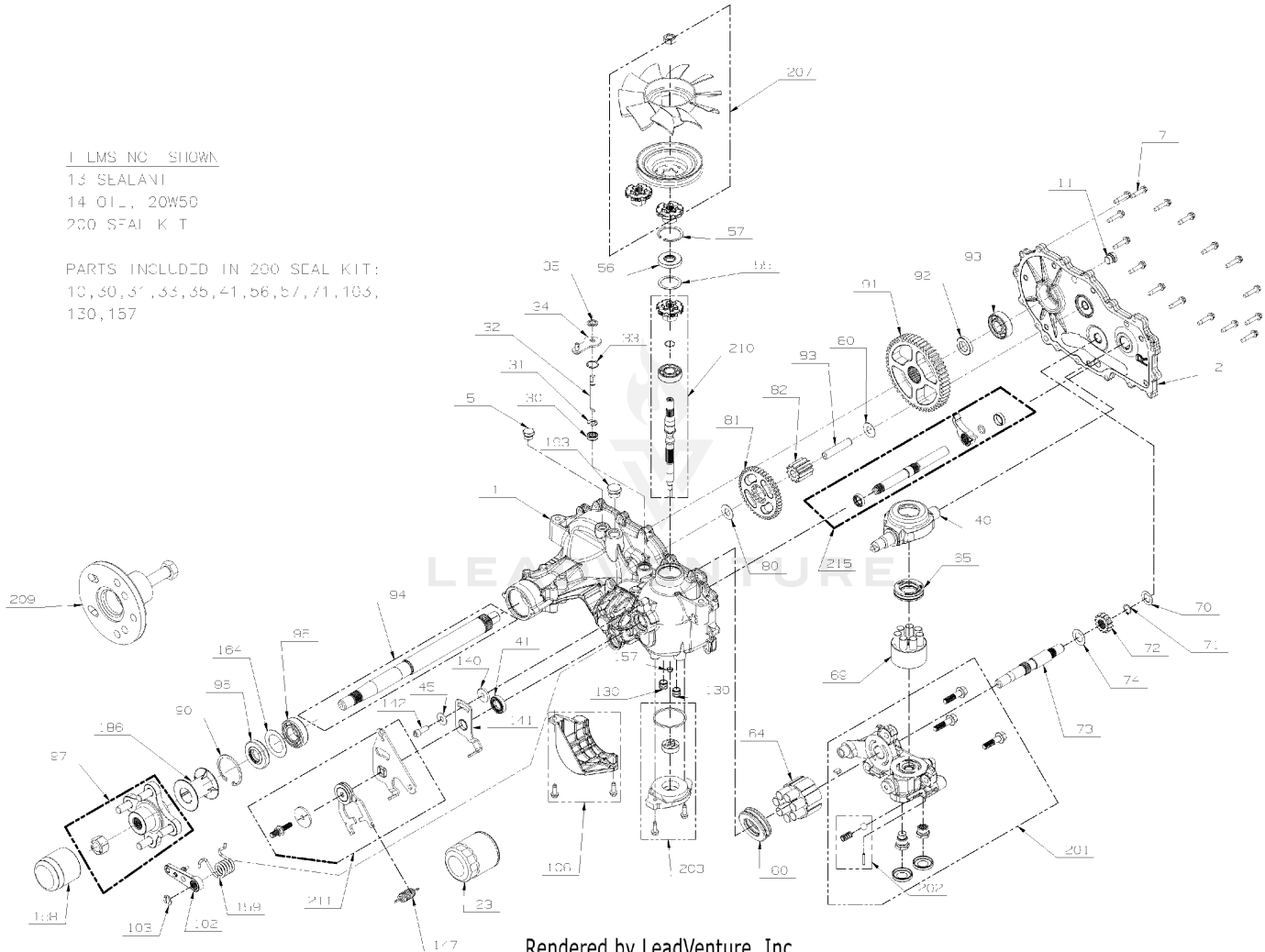
Ref Number	Part Number	Part Description	Context Notes	Quantity
80	AGP21543724	WASHER .5X1.0X.032		1
90	AGP08616500	RING, RETAINING		1
95	AGP08614000	BEARING, BALL 25.4 X 52 X 15		1
96	AGP08614300	SEAL, LIP		1
97	AGP21544061	KIT, HUB 4 BOLT		1
102	AGP21548906	HG ACTUATING KIT HANDLE		1
103	AGP21544007	CLIP,BRAKE ARM HYDROGEAR 52027		1
141	AGP21543867	ARM, NEUTRAL LEFT		1
142	AGP21543843	SHCS 5/16-24X1 PATCH		1
147	AGP21544041	RTN SPRING HG 51605		1
159	AGP21500036	SPRING, TORSION, CW		1
200	AGP21543999	KIT, SEAL	HG 73107	1
203	AGP21544060	KIT, CHARGE	HG72274	1
207	AGP21500024	KIT, FAN / PULLEY		1
209	AGP21544008	HUB PULLER 5 BLT	Optional Service Tool	1

AGU991290 ZT 3200 Series - 09361000

ZL-GTEB-TLYF-2MRX

1 LMS NOT SHOWN
13 SEALANT
14 OIL, 20W50
200 SEAL KIT

PARTS INCLUDED IN 200 SEAL KIT:
10, 30, 31, 33, 35, 41, 56, 57, 71, 103,
130, 157



Rendered by LeadVenture, Inc.

AGU991290 ZT 3200 Series - 09361000

Ref Number	Part Number	Part Description	Context Notes	Quantity
5	AGP21500049	PLUG EXT HEX VENT 9/16 18		1
7	AGP27105900	SCREW,HEX WASHER 1/4-20X1.125		16
11	AGP21500049	PLUG EXT HEX VENT 9/16 18		1
13	AGP21543771	SEALANT TUBE 10.1OZ.		1
14	AGP00058100	FLUID, HYDRO 20W50 QT	Recomended Oil Approximatley 72 oz	2
14	AGP00057100	FLUID, HYDRO 15W50 QT	Optional Oil Approximatley 72 oz	2
23	AGP21544900	FILTER, HYDRO-GEAR 2800 TRANS		1
30	AGP21500013	Seal, lip .375 x 375 x 325		1
31	AGP08622500	RING. RETAINING		1
33	AGP21543846	RING, RET .750		1
34	AGP21544046	ARM, BYPASS		1
35	AGP21543848	RING, RTNG .		1
40	AGP21543783	TRUNNION, SWASHPLATE		1
41	AGP21543809	SEAL, LIP 18X32X7		1
45	AGP08611200	WASHER		1
55	AGP21543773	WASHER 1.23X1.56X.04		1
56	AGP21543816	SEAL, LIP 17X40X7		1
57	AGP21543741	RING, RET 1.56 INT		1
60	AGP21548902	HG THRUST BEARING (51462)		1
64	AGP21548904	HG 16CC CYLINDER BLOCK (71579)		1
65	AGP08609100	BEARING. THRUST 30 X 52 X 13		1
69	AGP21543921	ASSY, BLOCK 7 PISTON		1
70	AGP21543708	WASHER .63X1.0X.05		1

Ref Number	Part Number	Part Description	Context Notes	Quantity
71	AGP21543704	RING, RET 62 EXT		1
74	AGP21543788	WASHER .71 X 1.16 X .04		1
80	AGP21543724	WASHER .5X1.0X.032		2
83	AGP21543793	JACK SHAFT (PIN)		1
90	AGP08616500	RING, RETAINING		1
91	AGP21500035	GEAR, 54T		1
93	AGP21500082	KIT, BEARING		1
94	AGP21500039	SHAFT, AXLE		1
95	AGP08614000	BEARING, BALL 25.4 X 52 X 15		1
96	AGP08614300	SEAL, LIP		1
97	AGP21544061	KIT, HUB 4 BOLT		1
102	AGP21544037	BRAKE ARM HG 71957		1
103	AGP21544007	CLIP,BRAKE ARM HYDROGEAR 52027		1
140	AGP21543870	SPACER		1
141	AGP21543866	ARM, NEUTRAL RIGHT		1
142	AGP21543843	SHCS 5/16-24X1 PATCH		1
147	AGP21544041	RTN SPRING HG 51605		1
158	AGP21500038	CAP, AXLE		1
159	AGP21544052	SPRING, TORSION CCW		1
186	AGP21500037	TUBE, AXLE 2.03		1
200	AGP21543999	KIT, SEAL	HG 73107	1
201	AGP21500075	KIT, CENTER SECTION RH, CHARGE		1
203	AGP21544060	KIT, CHARGE		1
207	AGP21500024	KIT, FAN / PULLEY		1
209	AGP21544008	HUB PULLER 5 BLT	Optional Service Tool	1