

Masport®

DOMESTIC ROTARY MOWERS

SERIES 19

Part Number
567797

Model
700 ST 2'n1 E/S

Engine
B&S Series 650iS

Month and Year of First Manufacture - July 2017
Starting Serial Number - 8167836



Issue A.0
ECN 03497
Aug 2017 PB
REF # 767797S

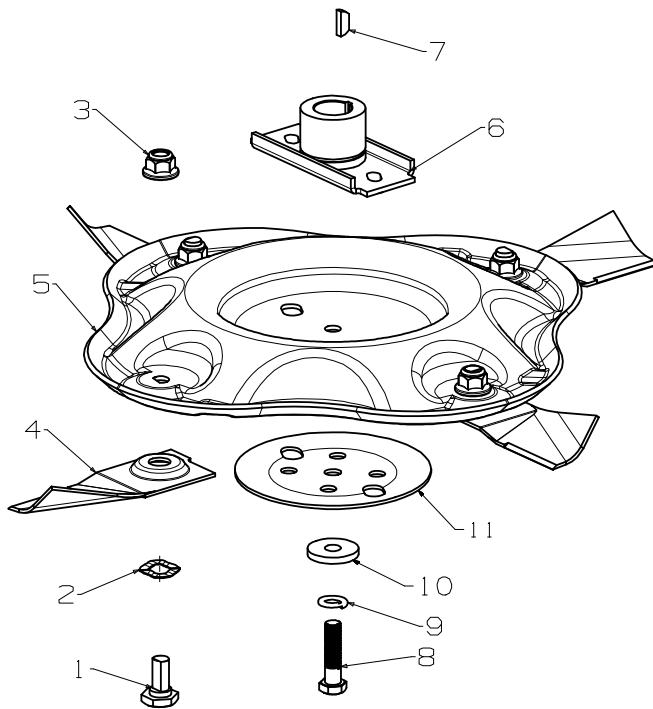


S19 700 ST 2'n1 E/S

Masport

Issue A.0
ECN 03497
Aug 2017 PB
REF # 767797S

485mm Disc Blade- Wavy

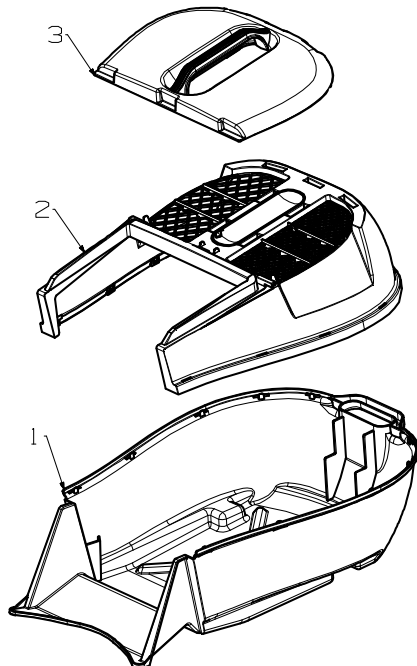


Item	Part No	Description	Qty
1	581707	Bolt-Pivot M10 x 22	4
2	580693	Washer, Wavy 13.4 x 24.2	4
3	503672	Nut, M10 Hex Nyloc Flanged	4
4	983310	Blade, Quick Cut - 485mm	4
5	783314	KIT-Disc Blade Wavy (Includes items: 8, 9, 10, 11)	1
6	014173	Driver Assy-Blade, 7/8"	1
7	500636	Key, Woodruff - 5/8" x 5/32" x 1/4"	1
8	503543	Bolt; Hex NF 3/8" x 1.5 NYG8	1
9	500204	Washer, Spring 3/8"	1
10	503855	Washer, Flat 9.75 x 30 x 4.0	1
11	567332	Plate- Stiffener, Disc Blade Assy	1

Blade & Bolt Sets

- 783692 **Bolt Set (4)**
Includes Items: 1, 2, 3
- 783310 **Blade-Quick Cut (4) 485mm**
Includes Items: 1, 2, 3, 4
- 769449 **Disc Assy-Wavy (4 Blade) 485mm**
Includes Items: 1, 2, 3, 4, 5, 8, 9, 10, 11

19" Catcher Assembly, Plastic



Item	Part No	Description	Qty
1	567010	Catcher- Bottom 19" Brand Grey	1
2	579051	Catcher- Top, 19"	1
3	579050	Catcher- Lid, 19"	1

Replacement Catcher Assembly Options

779344 Catcher Assy Black 19" with Unbranded Base

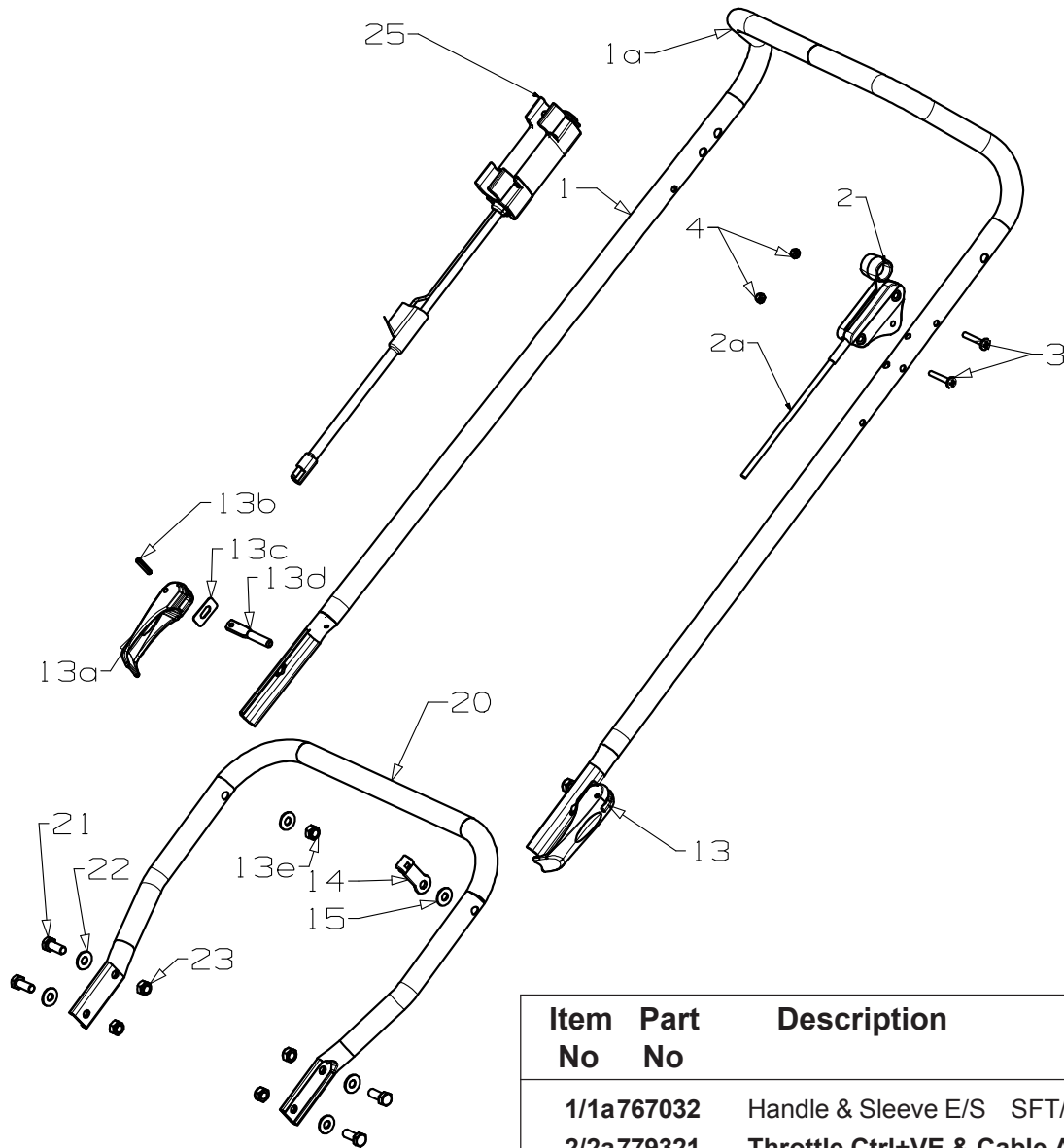
783404 Catcher Assy (Unbranded) 19" with "Grass Full Indicator" & Black Base

When ordering PLEASE QUOTE PART NUMBER & Description, NOT Illustration No.
Determine right or left hand side from standing in operating position (standing at handle).

Bold Text = Assemblies, **Bulleted Text *** = Items included in the Assemblies & may not be available as a spares item.



S19 700 ST 2'n1 E/S



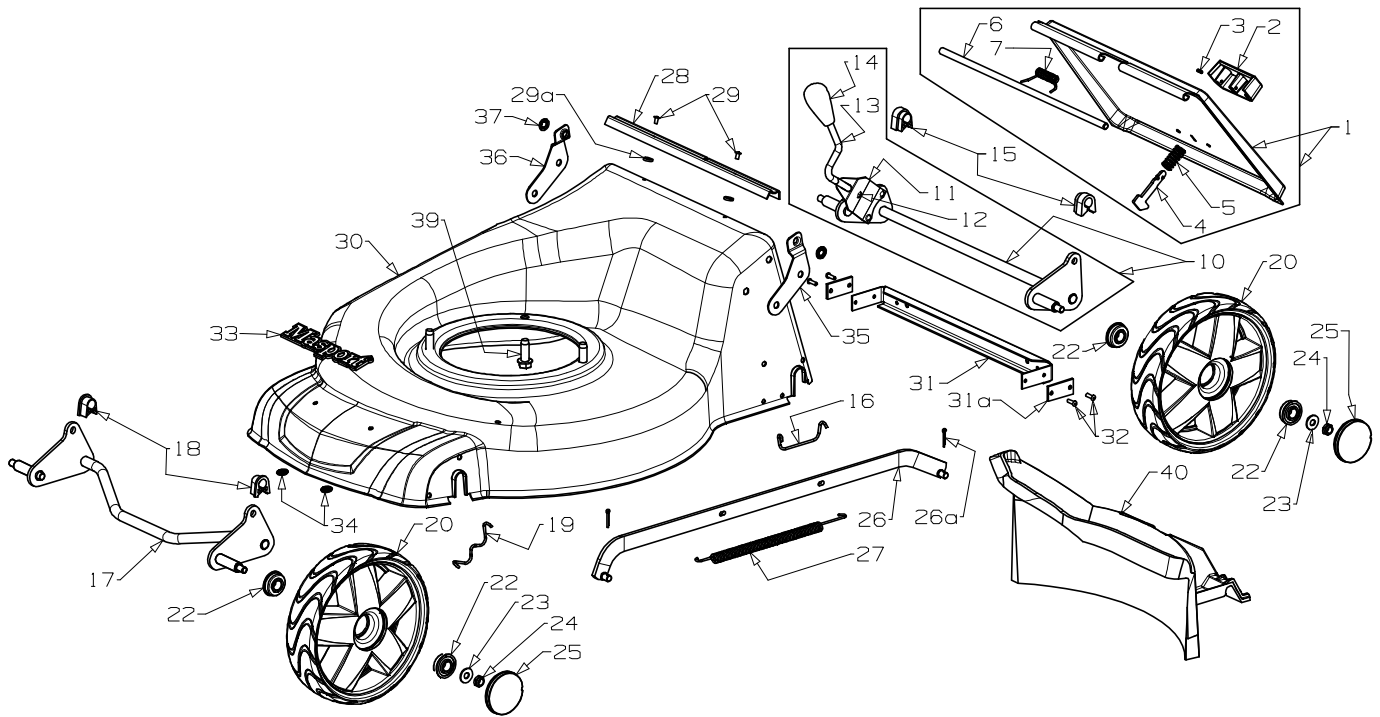
NOT ILLUSTRATED

502244	Decal, Engine Trim W22INS383101	1
502246	Trim-Cowl-Eng, SR W22Instart Red	1
503054	Tie- Nylon Cable, Black	4
564643	Decal, Hsg S19 700	1
574151	Charger- Battery, 594501 INS NZ	1
574152	Battery-Instart, 593560 NZ/EU	1
574439	Instruct Sheet, E/S Instart	1
582049	Decal, Flap Caution	1
582062	Decal, Height Combo	1
583152	Owner Manual	1
583344	Decal, Catcher Instruction	1

Item No	Part No	Description	Qty
	1/1a767032	Handle & Sleeve E/S SFT/BLK	1
	2/2a779321	Throttle Ctrl+VE & Cable Assy	1
	3	*503700 Screw, Pan M5 x 35	2
	4	*503511 Nut, Nyloc M5	2
	10	574155 Switch - Eng Instart push	1
	13	779755 Cam Lock Assembly (1 per)	2
	13a	582419 *Lever- Handle Locking	1
	13b	503369 *Pin, Tension 5.0 x 22	1
	13c	016777 *Washer- Slipper	1
	13d	583041 *Stud- Handle Lock, 61mm	1
	13e	501793 *Nut, M8 Hex Nyloc x 8mm thick	1
	14	581527 Retainer- Clutch, Cable	1
	15	501606 Washer, Flat 8x19x1.6	2
	20	973125 Handle-Lower, 19" Black	1
	21	501597 Set Screw, M8 x 20	4
	22	501606 Washer, Flat 8 x 19 x 1.6	4
	23	501793 Nut, M8 Hex Nyloc x 8mm thick	4

When ordering PLEASE QUOTE PART NUMBER & Description, NOT Illustration No.
Determine right or left hand side from standing in operating position (standing at handle).

Bold Text = Assemblies, Bulleted Text * = Items included in the Assemblies & may not be available as a spares item.



Item No	Part No	Description	Qty	Item No	Part No	Description	Qty
1	973862	Flap Assy-Steel, Black	1	26	571034	Rod Assy-Connecting, 19"	1
2	580602	*Handle-Flap	1	26a	501056	Pin, Cotter 2.3Dx16	2
3	502019	*Pin, Tension 3.0 x 8	1	27	581463	Spring-Counter Balance	1
4	981650	*Latch-Flap, Barbed	1	28	579211	Seal- Flap, Dust	1
5	581106	*Spring- Flap Latch	1	29	581369	Rivet-Pop, 4.0 x 3.2	2
6	583312	*Wire-Flap Pivot 8mm x 325mm	1	29a	502170	Washer, Nylon 5 x 12 x 2.0	2
7	579213	*Spring-Flap, 19" STL	1	30	773641	HSG-Stl 19" XFQ TTNM	1
10	773440	Axle Assy- Rear, Complete 19"	1	31	583512	*Brace-Rear, 19" EU & Local	1
11	580649	*Spring- Leaf	1	31a	574532	*Plate- Rear Brace Spacer	2
12	503373	*Rivet- F/HD 3/16x27/64"	3	32	503028	Rivet-Pop, 4.0 x 7.9 73SS5-5	4
13	573439	*Rod- Height Selector, 19" Stl	1	33	581240	Nameplate MASPORT	1
14	581729	*Knob-Height Lever	1	34	503150	Clip- Starlock 5mm dia	2
15	580668	Bush-Pivot, Axle Rear	2	35	579209	Bracket- Flap, LH	1
16	579292	Retainer-Axle, Rear, Stl Deck	2	36	579210	Bracket- Flap, RH	1
17	983281	Axle Assy- Front, 200mm	1	37	501365	Clip- Starlock, 5/16"	2
18	580030	Bush-Pivot, Axle	2	39	580453	Screw, S/T 3/8"x1-1/8" UNC	3
19	529674	Retainer-Axle, Front "W"	2	40	579218	Insert- Mulching, 19" XF	1
20	579197	Wheel Assy-200mm Mag Black (Includes 2 x 551212 per wheel)	4				
22	551212	Bearing- Wheel	8				
23	501606	Washer, Flat 8 x 19 x 1.6	4				
24	503831	Nut, M8 Hex Nyloc x 6mm thick	4				
25	579198	Hub Cap- Button, Spkd Silver	4				

When ordering PLEASE QUOTE PART NUMBER & Description, NOT Illustration No.
Determine right or left hand side from standing in operating position (standing at handle).

Bold Text = Assemblies, Bulleted Text * = Items included in the Assemblies & may not be available as a spares item.