

STIHL

STIHL FSA 135 R

Instruction Manual



Contents

1	Introduction	2
2	Guide to Using this Manual	2
2.1	Applicable Documentation	2
2.2	Symbols used with warnings in the text	3
2.3	Symbols in Text	3
3	Overview	3
3.1	Brushcutter and Battery	3
3.2	Deflectors and Cutting Attachments	4
3.3	Icons	5
4	Safety Precautions	5
4.1	Warning Signs	5
4.2	Intended Use	7
4.3	The Operator	7
4.4	Clothing and equipment	8
4.5	Work Area and Surroundings	9
4.6	Safe Condition	9
4.7	Working	11
4.8	Reactive Forces	12
4.9	Transporting	13
4.10	Storing	13
4.11	Cleaning, Maintenance and Repair	14
5	Preparing Trimmer for Operation	15
5.1	Preparing the Brushcutter for Operation	15
6	Charging the Battery, LEDs	15
6.1	Charging the Battery	15
6.2	Displaying State of Charge	15
6.3	LEDs on Battery	15
7	Assembling the Trimmer	16
7.1	Mounting the Loop Handle	16
7.2	Mounting the Barrier Bar	16
7.3	Mounting and Removing the Deflector	16
7.4	Fitting and Removing the Skirt	17
7.5	Mounting and Removing the Mowing Head	17
7.6	Removing and Installing Metal Cutting Attachment	18
8	Adjusting Trimmer for User	19
8.1	Fitting and Adjusting the Carrying System	19
8.2	Adjusting and Setting the Loop Handle	19
8.3	Balancing the Brushcutter	19
9	Removing and Fitting the Battery	20
9.1	Inserting the Battery	20
9.2	Removing the Battery	20
10	Switching the Trimmer On/Off	21
10.1	Switching the Brushcutter on	21
10.2	Switching Off	21
11	Testing the Trimmer and Battery	21
11.1	Checking the controls	21
11.2	Testing the Battery	22
12	Operating the Trimmer	22
12.1	Holding and Controlling the Brushcutter	22
12.2	Setting the performance level	22
12.3	Mowing	23
12.4	Adjusting Nylon Line	23
13	After Finishing Work	24
13.1	When Work is Finished	24
14	Transporting	24
14.1	Transporting the brushcutter	24
14.2	Transporting the Battery	24
15	Storing	24
15.1	Storing the Brushcutter	24
15.2	Storing the Battery	25
16	Cleaning	25
16.1	Cleaning the Brushcutter	25
16.2	Cleaning the Deflector and Cutting Attachment	25
16.3	Cleaning the Air Filter	25
16.4	Cleaning the Battery	25

STIHL

This instruction manual is protected by copyright. All rights reserved, especially the rights to reproduce, translate and process with electronic systems.

17 Maintenance	25
17.1 Maintenance intervals	25
17.2 Lubricating the Gearbox	26
17.3 Sharpening and Balancing a Metal Cutting Attachment	26
18 Repairing	26
18.1 Repairing the Trimmer and Cutting Attachment	26
18.2 Servicing and Repairing the Battery	26
19 Troubleshooting	27
19.1 Troubleshooting Brushcutter or Battery	27
20 Specifications	29
20.1 STIHL FSA 135 R Brushcutters	29
20.2 STIHL AP battery	29
20.3 Sound Values and Vibration Values	29
20.4 REACH	29
21 Combinations of Cutting Attachments, Deflectors and Carrying Systems	31
21.1 Combinations of Cutting Attachments, Deflectors and Carrying Systems	31
22 Spare Parts and Accessories	32
22.1 Spare parts and accessories	32
23 Disposal	32
23.1 Disposing of the Trimmer and Battery	32
24 EC Declaration of Conformity	32
24.1 STIHL FSA 135 R Brushcutter	32
25 UKCA Declaration of Conformity	33
25.1 STIHL FSA 135 R Brushcutter	33

1 Introduction

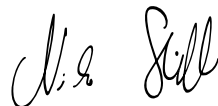
Dear Customer,

Thank you for choosing STIHL. We develop and manufacture our quality products to meet our customers' requirements. The products are designed for reliability even under extreme conditions.

STIHL also stands for premium service quality. Our dealers guarantee competent advice and instruction as well as comprehensive service support.

STIHL expressly commit themselves to a sustainable and responsible handling of natural resources. This user manual is intended to help you use your STIHL product safely and in an environmentally friendly manner over a long service life.

We thank you for your confidence in us and hope you will enjoy working with your STIHL product.



Dr. Nikolas Stihl

IMPORTANT! READ BEFORE USING AND KEEP IN A SAFE PLACE FOR REFERENCE.

2 Guide to Using this Manual

2.1 Applicable Documentation

Local safety regulations apply.

- ▶ Read, understand and save the following documents in addition to this instruction manual:
 - Instruction manual and packaging of the cutting attachment you are using
 - Instruction manual of the carrying system you are using

- User instructions for STIHL AR battery
- User instructions for AP belt bag with connecting cable
- Safety notes and precautions for STIHL AP battery
- Instruction manual for STIHL AL 101, 300, 500 chargers
- Safety information for STIHL batteries and products with built-in batteries: www.stihl.com/safety-data-sheets

2.2 Symbols used with warnings in the text

WARNING

This symbol indicates dangers that can cause serious injuries or death.

- ▶ The measures indicated can avoid serious injuries or death.

NOTICE

This symbol indicates dangers that can cause damage to property.

- ▶ The measures indicated can avoid damage to property.

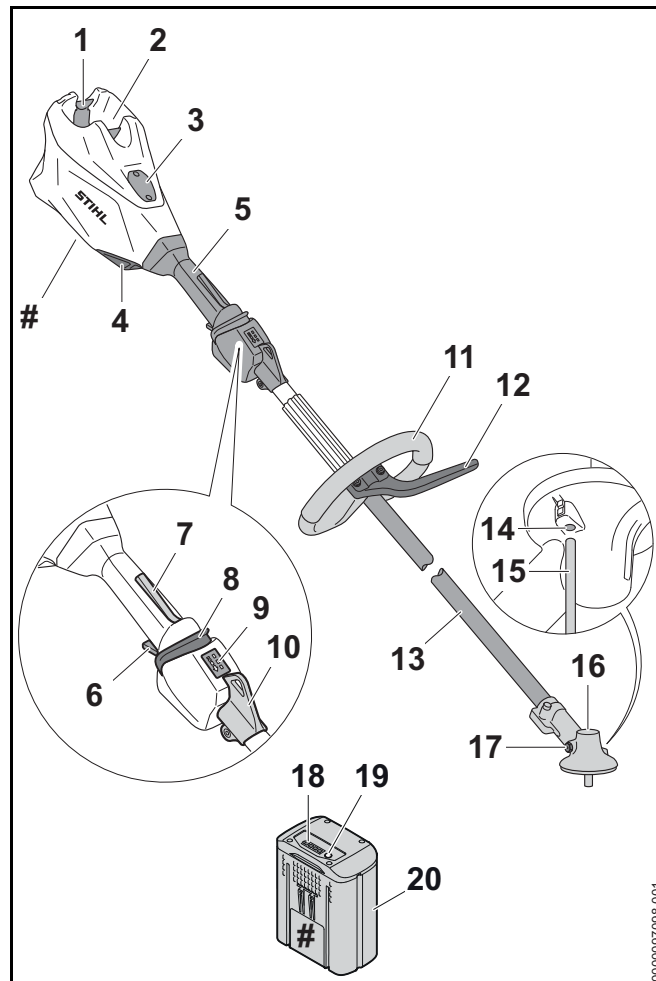
2.3 Symbols in Text



This symbol refers to a chapter in this instruction manual.

3 Overview

3.1 Brushcutter and Battery



1 Locking lever

The locking lever holds the battery in the battery compartment.

2 Battery compartment

The battery compartment holds the battery.

3 Cover¹

The cover is the placeholder for a Smart Connector 2 A.

4 Air filter

The air filter filters the air entering the engine.

5 Control handle

The control handle is used for operating, holding and controlling the brushcutter.

6 Trigger

The trigger switches the brushcutter on and off.

7 Trigger lockout

The trigger lockout unlocks the trigger.

8 Release slide

The release slide switches on the brushcutter and selects the power level.

9 LEDs

The LEDs indicate the selected power level.

10 Carrying ring

For attaching the carrying system to the brushcutter.

11 Loop handle

For holding and controlling the brushcutter.

12 Barrier bar

Maintains distance between operator's leg and a metal cutting attachment.

13 Shaft

The shaft connects all components.

14 Opening for stop pin

The opening for the stop pin accommodates the stop pin.

15 Stop pin

The stop pin blocks the shaft while a cutting attachment is being mounted.

- ¹ The cover is part of the motor housing. The cover should only be removed to install a Smart Connector 2 A, and it should be safely stored for later re-installation. Always use the brushcutter with the cover or Smart Connector 2 A installed.

16 Gear housing

The gear housing encloses the gearbox.

17 Screw plug

The screw plug closes the filler opening for STIHL gear grease.

18 LEDs

The LEDs indicate the state of charge of the battery and any faults.


19 Button

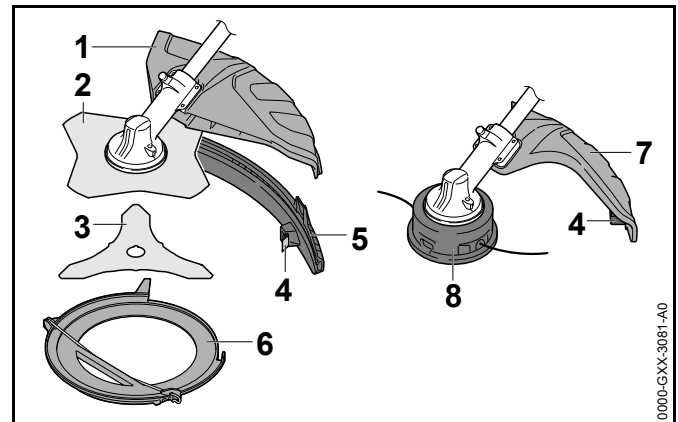
The button activates the LEDs on the battery.

20 Battery

The battery supplies power to the brushcutter.

Rating plate with machine number**3.2 Deflectors and Cutting Attachments**

The illustrations show examples of deflectors and cutting attachments. Approved combinations are listed in this instruction manual,  21.

**1 Universal Deflector**

Protects user from flying debris and contact with the cutting attachment.

2 Grass Cutting Blade

Cuts grass and weeds.

3 Brush knife

Cuts brushwood.

4 Line Limiting Blade

Trims surplus mowing line to correct length.

5 Skirt

Extends universal deflector for use with a mowing head.

6 Transport Guard

Helps protect user from contact with metal cutting attachments.

7 Deflector for mowing heads

Protects user from flying debris and contact with the mowing head.

8 Mowing Head

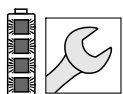
The mowing head contains the mowing line.

3.3 Icons

Meanings of icons that may be on the brushcutter, deflector and battery:



1 LED emits red light. The battery is too warm or too cold.



4 LEDs flashing red. There is a fault in the battery.



Push the release slide forward to switch the brushcutter on and set the power levels.



This icon marks the release slide.



This icon shows the direction of rotation of the cutting attachment.

max Ø XXX This icon shows the maximum diameter of the cutting attachment in millimeters.



This icon shows the rated speed of the cutting attachment.



Guaranteed sound power level in accordance with Directive 2000/14/EC in dB(A) for the purpose of comparing the sound emissions of products.



The information next to the symbol indicates the energy content of the battery according to the cell manufacturer's specification. The energy content available in operation is lower.



Do not dispose of the product with domestic waste.

4 Safety Precautions**4.1 Warning Signs****4.1.1 Warning Symbols**

Meanings of warning signs on the brushcutter and battery:



Observe safety notices and take the necessary precautions.



Read, understand and keep the instruction manual.



Wear safety glasses.



If objects are likely to fall while working: wear a hard hat.



Wear safety boots.



Wear work gloves.



Observe the safety notices on kickback and take the necessary precautions.



Observe the safety advice concerning flying objects and associated measures.



Maintain a safety distance.



Remove the battery during work stoppages, transport, storage, maintenance or repair.



Do not touch hot surface.



Protect battery from heat and fire.



Do not immerse battery in fluids.



Observe the permitted battery temperature range.

4.1.2 Deflector for mowing heads

Meanings of warning signs and labels on the deflector for mowing heads:



Use this deflector for mowing heads.



Do not use this deflector for grass cutting blades.



Do not use this deflector for brush knives.



Do not use this deflector for shredder blades.



Do not use this deflector for circular saw blades.

4.1.3 Universal Deflector and Skirt

Universal deflector

Meanings of warning signs on the universal deflector:



Do not use this deflector without skirt for mowing heads.



Use this deflector for grass cutting blades.



Use use this deflector for brush knives.



Use this deflector for shredder blades.



Do not use this deflector for circular saw blades.

Skirt

Meanings of warning signs on the skirt:



Use the universal deflector with skirt and line limiting blade for mowing heads.

4.2 Intended Use

The STIHL FSA 135 R brushcutter is designed for the following applications:

- with a mowing head: Mowing grass
- with a grass cutting blade: Mowing grass and weeds
- with a brush knife: Cutting brush with a stem diameter up to 20 mm

The brushcutter may be used in the rain.

The brushcutter is powered by a STIHL AP battery or a STIHL AR battery.

⚠ WARNING

- Batteries not explicitly approved for the brushcutter by STIHL may cause a fire or explosion. Persons may be seriously or fatally injured and property may be damaged.
 - ▶ Use the brushcutter with a STIHL AP battery or a STIHL AR battery.
- Using the brushcutter or the battery for purposes for which they were not designed may result in serious or fatal injuries and damage to property.
 - ▶ Use the brushcutter as described in this User Manual.
 - ▶ Use the battery as described in this User Manual or the User Manual for the STIHL AR battery.

4.3 The Operator

⚠ WARNING

- Users without adequate training or instruction cannot recognize or assess the risks involved in using the trimmer and battery. The user or other persons may sustain serious or fatal injuries.



- ▶ Read, understand and save the instruction manual.

- ▶ If the trimmer or battery are passed on to another person: Always give them the instruction manual.
- ▶ Make sure the user meets the following requirements:
 - The user must be rested.
 - The user must be in good physical condition and mental health to operate and work with the trimmer and battery. If the user's physical, sensory or mental

ability is restricted, he or she may work only under the supervision of or as instructed by a responsible person.

- The user is able to recognize and assess the risks involved in using the trimmer and battery.
 - The user must be of legal age or is being trained in a trade under supervision in accordance with national rules and regulations.
 - The user has received instruction from a STIHL servicing dealer or other experienced user before working with the trimmer for the first time.
 - The user must not be under the influence of alcohol, medication or drugs.
- ▶ If you have any queries: Contact a STIHL servicing dealer for assistance.

4.4 Clothing and equipment

⚠ WARNING

- Long hair can be drawn into the brushcutter during operation. This may result in serious injury to the user.
 - ▶ Tie up and confine long hair above your shoulders.
- Objects can be thrown at high speed during operation. This may result in injury to the user.
 - ▶ Wear close-fitting safety glasses. Suitable safety glasses are tested in accordance with EN 166 or national regulations and available commercially with the corresponding marking.
- ▶ Wear face protection.
- ▶ Wear long trousers made from resistant material.
- Falling objects can cause head injuries.



- ▶ If objects are likely to fall while working: wear a hard hat

- Dust can be whipped up during operation. Whipped up dust can damage the respiratory passages and cause allergic reactions.
 - ▶ If dust is generated: Wear a dust respirator mask.
- Inappropriate clothing can snag on wood, brush or the brushcutter. Users not wearing suitable clothing are at risk of serious injury.
 - ▶ Wear close-fitting clothing.
 - ▶ Remove scarves and jewelry.
- The user may come into contact with the rotating cutting attachment during operation. This may result in serious injury to the user.
 - ▶ Wear robust footwear.



- ▶ If you are using a metal cutting attachment: Wear steel-toed safety boots.

- ▶ Wear long trousers made from resistant material.
- There is a risk of the user coming into contact with the cutting attachment or the line limiting blade during cleaning and maintenance work and when the cutting attachment is mounted or removed. This may result in injury to the user.
 - ▶ Wear work gloves made from resistant material.
- Wearing unsuitable footwear may cause the user to slip. This may result in injury to the user.
 - ▶ Wear sturdy, closed-toed footwear with high-grip soles.



4.5 Work Area and Surroundings

4.5.1 Brushcutter

⚠ WARNING

- Bystanders, children and animals are not aware of the dangers of the brushcutter or flying debris. This may result in serious injury to bystanders, children and animals and damage to property.



- ▶ Do not allow bystanders, children or animals within 15 meters of the work area.

- ▶ Maintain a clearance of 15 meters from objects.
- ▶ Do not leave the brushcutter unattended.
- ▶ Make sure that children cannot play with the brushcutter.
- Electrical components of the brushcutter can produce sparks. Sparks may cause fires and explosions in highly flammable or explosive environments. Persons may be seriously or fatally injured and property may be damaged.
 - ▶ Do not work in a highly flammable or explosive environment.

4.5.2 Battery

⚠ WARNING

- Bystanding people, children and animals cannot recognise or evaluate the dangers posed by the battery. This may result in serious injury to bystanding people, children and animals.
 - ▶ Keep bystanding people, children and animals out of the way.
 - ▶ Do not leave the battery unattended.
 - ▶ Make sure that children cannot play with the battery.
- The battery is not protected against all ambient conditions. If exposed to certain ambient conditions, the battery may catch fire or explode. This may result in serious injury to people and damage to property.



- ▶ Protect the battery from heat and fire.
- ▶ Do not throw the battery into a fire.



- ▶ Use and store the battery at temperatures between - 10 °C and + 50 °C.



- ▶ Do not immerse the battery in liquids.

- ▶ Keep the battery away from metallic objects.
- ▶ Do not expose the battery to high pressure.
- ▶ Do not expose the battery to microwaves.
- ▶ Protect the battery from chemicals and salts.

4.6 Safe Condition

4.6.1 Brushcutter

The brushcutter is in a safe condition if the following points are observed:

- The brushcutter is not damaged.
- The brushcutter is clean.
- The controls function properly and have not been modified.
- A combination of cutting attachment and deflector recommended in this user manual is mounted.
- The cutting attachment and deflector are properly mounted.
- Genuine STIHL accessories for this brushcutter are fitted.
- The accessories are correctly attached.

⚠ WARNING

- If not in safe condition, components may no longer operate correctly and safety devices may be disabled. This may result in serious or fatal injury to people.
 - ▶ Work only with an undamaged brushcutter.
 - ▶ If the brushcutter is dirty: Clean the brushcutter.
 - ▶ Never attempt to modify your brushcutter. Exception: Mounting one of the combinations of cutting attachment and deflector recommended in this user manual.
 - ▶ If the controls do not function properly: Do not use your brushcutter.
 - ▶ Fit genuine STIHL accessories for this brushcutter.
 - ▶ Mount the cutting attachment and deflector as described in this user manual.
 - ▶ Attach accessories as described in this User Manual or in the User Manual for the accessories.
 - ▶ Never insert objects in the openings of the brushcutter.
 - ▶ Replace worn or damaged labels.
 - ▶ If you have any doubts, be sure to consult a STIHL dealer.

4.6.2 Deflector

The deflector is in a safe condition if the following points are observed:

- The deflector is not damaged.
- If you are using the line limiting blade and skirt: Line limiting blade and skirt are correctly fitted.

⚠ WARNING

- If components do not comply with safety requirements, they will no longer function properly and safety devices may be rendered inoperative. This can result in serious injuries.
 - ▶ Work only with an undamaged deflector.
 - ▶ If you are using the line limiting blade and skirt: Work with a correctly fitted line limiting blade and skirt.

- ▶ If you have any queries: Contact your STIHL servicing dealer.

4.6.3 Mowing Head

The mowing head is in a safe condition if the following points are observed:

- The mowing head is not damaged.
- The mowing head is not jammed.
- The mowing lines are properly installed.
- The wear limits are not exceeded.

⚠ WARNING

- If they are in an unsafe condition, parts of the mowing head or mowing lines may come off and be ejected at high speed. They may cause serious injury to persons.
 - ▶ Work only with an undamaged mowing head.
 - ▶ Never use metal objects in place of the nylon mowing lines.
 - ▶ Observe and remain inside the wear limits.
 - ▶ If you have any doubts, be sure to consult a STIHL dealer.

4.6.4 Metal cutting attachment

The metal cutting attachment is in a safe condition if the following points are observed:

- Metal cutting attachment and mounting hardware are undamaged.
- Metal cutting attachment is not warped.
- Metal cutting attachment is properly mounted.
- Metal cutting attachment is correctly sharpened.
- Cutting edges of the metal cutting attachment have no burrs.
- The wear limits are not exceeded.

- If a metal cutting attachment not manufactured by STIHL is used, it must not be heavier, thicker, of a different shape, of a lower quality, or larger in diameter than the largest metal cutting attachment approved by STIHL.

▲ WARNING

- If it is not in an safe condition, parts of the metal cutting attachment may come off and be thrown at high speed. They may cause serious injury to persons.
 - ▶ Never work with a damaged metal cutting attachment or damaged mounting hardware.
 - ▶ Sharpen the metal cutting attachment correctly.
 - ▶ Deburr the cutting edges with a file.
 - ▶ Have the metal cutting attachment balanced by a STIHL servicing dealer.
 - ▶ Observe and remain inside the wear limits.
 - ▶ Use a metal cutting attachment specified in these instructions for use.
 - ▶ If you have any doubts, be sure to consult a STIHL dealer.

4.6.5 Battery

The battery is in safe condition when the following conditions are met:

- The battery is not damaged.
- The battery is clean and dry.
- The battery is working and has not been modified.

▲ WARNING

- The battery cannot function safely if it is not in safe condition. There is a risk of serious injury to persons.
 - ▶ Use an undamaged and functioning battery.
 - ▶ Do not charge a damaged or defective battery.
 - ▶ If the battery is dirty or wet: clean the battery and allow it to dry.

- ▶ Do not modify the battery.
- ▶ Do not insert objects into the apertures in the battery.
- ▶ Never connect the battery terminals to metallic objects and cause a short circuit.
- ▶ Do not open the battery.
- ▶ Replace worn or damaged warning signs.
- Fluid may leak from a damaged battery. If the fluid contacts the skin or eyes, this may cause irritation.
 - ▶ Avoid contact with the fluid.
 - ▶ In the event of contact with the skin: wash the affected areas with plenty of soap and water.
 - ▶ In the event of contact with the eyes: rinse the eyes with plenty of water for at least 15 minutes and seek medical attention.
- A damaged or defective battery may emit an unusual odour, smoke or catch fire. This may result in serious or fatal injury to people and damage to property.
 - ▶ If the battery emits an unusual odour or smoke: do not use the battery and keep it away from flammable materials.
 - ▶ If the battery catches fire: try to extinguish the battery using a fire extinguisher or water.

4.7 Working

▲ WARNING

- In certain situations, the user may no longer be able to concentrate on their work. This may result in the user stumbling, falling and suffering serious injury.
 - ▶ Work calmly and in a considered manner.
 - ▶ If light and visibility are poor: Do not use your trimmer.
 - ▶ Operate the trimmer alone.
 - ▶ Keep the cutting attachment close to the ground.
 - ▶ Watch out for obstacles.
 - ▶ Work standing on the ground and keep your balance.
 - ▶ If you feel tired, take a break.

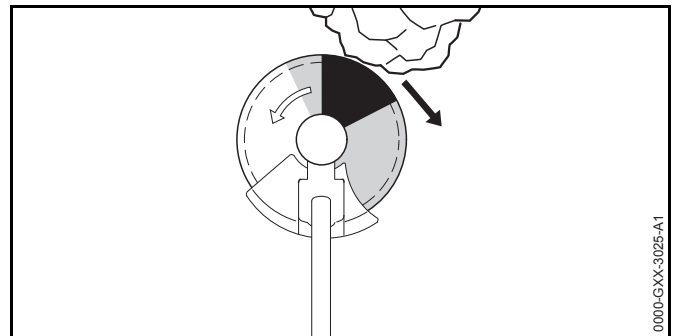
- The rotating cutting attachment can cut the user. This may result in serious injury to the user.
 - ▶ Do not touch the rotating cutting attachment.
 - ▶ If the cutting attachment is blocked by an object: Switch off the brushcutter and remove the battery. Only then should you remove the object.
- If the behavior of the trimmer changes during operation or feels unusual, it may no longer be in a safe condition. There is a risk of serious injury to people and damage to property.
 - ▶ Stop working, remove the battery and consult a STIHL dealer.
- Vibrations may occur during trimmer operation.
 - ▶ Wear gloves.



- ▶ Take breaks.
- ▶ If signs of a circulatory disturbance occur: Consult a doctor.
- If the cutting attachment makes contact with a foreign object during operation, the object or parts of it may be thrown at high speed. Persons may be injured or property damaged.
 - ▶ Remove foreign objects from the working area.
- If the rotating cutting attachment makes contact with a hard object, sparks may occur and the cutting attachment may be damaged. Sparks can cause fires in a flammable environment. Persons may be seriously or fatally injured and property may be damaged.
 - ▶ Do not use in a flammable environment.
 - ▶ Make sure the cutting attachment is in a safe condition.

- Note that the cutting attachment continues to rotate for a short period after you release the trigger. They may cause serious injury to persons.
 - ▶ Wait until the cutting attachment comes to a complete stop.
- In an emergency, the user may start to panic and forget to take off the carrying system. This may result in serious injury to the user.
 - ▶ Practice taking off the carrying system.

4.8 Reactive Forces



Kickout can be caused for the following reasons:

- The shaded area or the black area of the rotating metal cutting attachment comes into contact with a solid object and is suddenly braked.
- The rotating metal cutting attachment gets pinched in the cut.

The risk of kickout is greatest in the black area.

⚠ WARNING

- These situations can abruptly decelerate or stop rotation of the cutting attachment and cause the cutting attachment to be thrown to the right or in the direction of the user (black arrow). The user can lose control of the trimmer. This can result in serious or fatal injuries.
 - ▶ Hold the trimmer firmly with both hands.
 - ▶ Use the working techniques described in this instruction manual.
 - ▶ Do not use the black area for cutting.
 - ▶ Use a combination of cutting attachment, deflector and carrying system recommended in this instruction manual.
 - ▶ Sharpen the metal cutting attachment correctly.
 - ▶ Cut with the motor running at full speed.

4.9 Transporting

4.9.1 Brushcutter

⚠ WARNING

- The gear housing can get hot during operation. There is a risk of burn injuries.



- ▶ Do not touch a hot gear housing.

- The brushcutter may tilt over or shift during transport. Persons may be injured or property damaged.



- ▶ Remove the battery.

- ▶ If a metal cutting attachment is mounted: Fit the transport guard.
- ▶ Secure the brushcutter with lashing straps, belts or a net to prevent it turning over and moving.

4.9.2 Battery

⚠ WARNING

- The battery is not protected against all ambient conditions. The battery may be damaged if it is exposed to certain ambient conditions and damage to property may occur.
 - ▶ Never transport a damaged battery.
 - ▶ Store the battery in non-conductive packaging.
- The battery may turn over or shift during transport. This may result in personal injuries and damage to property.
 - ▶ Pack the battery in packaging in such a way that it cannot move.
 - ▶ Secure the packaging so that it cannot move.

4.10 Storing

4.10.1 Brushcutter

⚠ WARNING

- Children are not aware of and cannot assess the dangers of a brushcutter and can be seriously injured.



- ▶ Remove the battery.

- ▶ If a metal cutting attachment is mounted: Fit the transport guard.

- ▶ Store the brushcutter out of the reach of children.

- Dampness can corrode the electrical contacts on the brushcutter and metal components. This can damage the brushcutter.



- ▶ Remove the battery.

- ▶ Store the brushcutter in a clean and dry condition.

4.10.2 Battery

⚠ WARNING

- Children are not aware of and cannot assess the dangers of the battery and can be seriously injured.
 - ▶ Store the battery out of the reach of children.
- The battery is not protected against all ambient conditions. The battery may be damaged if it is exposed to certain ambient conditions.
 - ▶ Store the battery in a clean and dry condition.
 - ▶ Store the battery in a confined space.
 - ▶ Store the battery separately from the trimmer and charger.
 - ▶ Store the battery in non-conductive packaging.
 - ▶ Use and store the battery at temperatures between -10°C and +50°C.

4.11 Cleaning, Maintenance and Repair

⚠ WARNING

- The brushcutter may start up unintentionally if the battery is left in place during cleaning, maintenance or repair operations. This may result in serious injury to people and damage to property.



- ▶ Remove the battery.

- The gear housing can get hot during operation. There is a risk of burn injuries.



- ▶ Do not touch a hot gear housing.

- Aggressive cleaning agents, a water jet or pointed objects can damage the trimmer, deflector, cutting attachment or battery. If the brushcutter, deflector, cutting attachment or battery are not cleaned correctly, components may no

longer function properly or safety devices may be rendered inoperative. They may cause serious injury to persons.

- ▶ Clean the brushcutter, deflector, cutting attachment and battery as described in this User Manual.
- If the brushcutter, deflector, cutting attachment or battery are not serviced or repaired correctly, components may no longer function properly or safety devices may be rendered inoperative. This may result in serious or fatal injury to people.
 - ▶ Do not attempt to service or repair the brushcutter, deflector or battery yourself.
 - ▶ If the brushcutter, the deflector or the battery require servicing or repairs, contact your STIHL dealer for assistance.
 - ▶ Maintain the cutting attachment as described in the User Manual supplied with the cutting attachment being used or on the cutting attachment's packaging.
- The user can be cut by the sharp cutting edges while cleaning or maintaining cutting attachments. This may result in injury to the user.










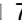










- ▶ Wear work gloves made from resistant material.

5 Preparing Trimmer for Operation

5.1 Preparing the Brushcutter for Operation

The following steps must be performed before commencing work:

- ▶ Ensure that the following components are in safe condition:
 - Brushcutter,  4.6.1.
 - Deflector,  4.6.2.
 - Mowing head or metal cutting attachment,  4.6.3 or  4.6.4.
 - Battery,  4.6.5.
- ▶ Check the battery,  11.2.
- ▶ Fully charge battery as described in the User Manual for chargers STIHL AL 101, 300, 500.
- ▶ Clean the brushcutter,  16.1.
- ▶ Mount the loop handle,  7.1.
- ▶ Select combination of cutting attachment, deflector and carrying system,  21.
- ▶ Mount the deflector,  7.3.1.
- ▶ If you are using a universal deflector together with a mowing head: Fit the skirt and line limiting blade,  7.4.1.
- ▶ If a metal cutting attachment is used: Mount the barrier bar,  7.2.
- ▶ Mount mowing head or metal cutting attachment,  7.5.1 or  7.6.1.
- ▶ Fit and adjust the carrying system,  8.1.
- ▶ Adjust the loop handle,  8.2.
- ▶ Balance the brushcutter,  8.3.
- ▶ Check the controls,  11.1.
- ▶ If you cannot carry out this work: Do not use your brushcutter and contact your STIHL dealer for assistance.

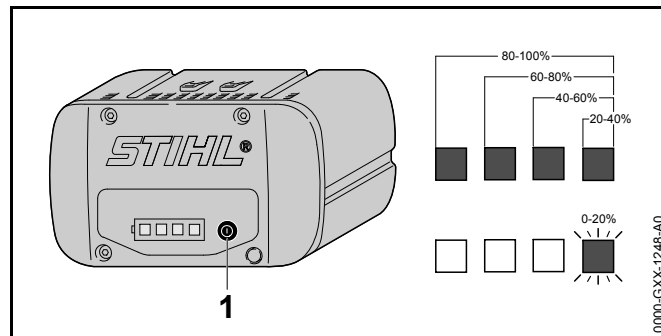
6 Charging the Battery, LEDs

6.1 Charging the Battery

The charging time depends on several factors, e.g. temperature of the battery or the ambient temperature. The actual charging time may differ from the specified charging time. For specified charging times see www.stihl.com/charging-times.

- ▶ Recharge the battery fully as described in the instruction manual for the STIHL AL 101, 300, 500 chargers.

6.2 Displaying State of Charge




- ▶ Press the button (1).
The LEDs (5) glow green for about 5 seconds and indicate the state of charge.
- ▶ If the LED on the right flashes green: Charge the battery.

6.3 LEDs on Battery

The LEDs can show the state of charge or malfunctions. The LEDs can glow or flash green or red.

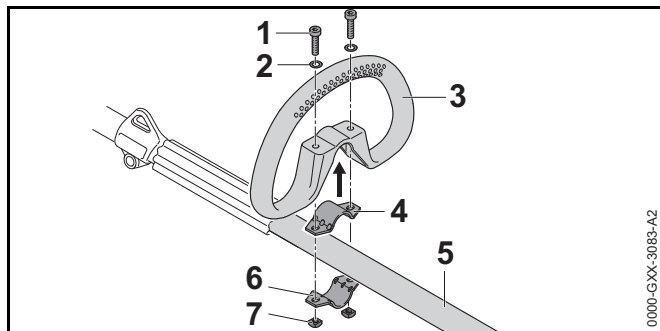
The state of charge is indicated when the LEDs glow or flash green.

- ▶ If the LEDs glow or flash red: Troubleshooting,  19. Malfunction in trimmer or battery.

7 Assembling the Trimmer

7.1 Mounting the Loop Handle

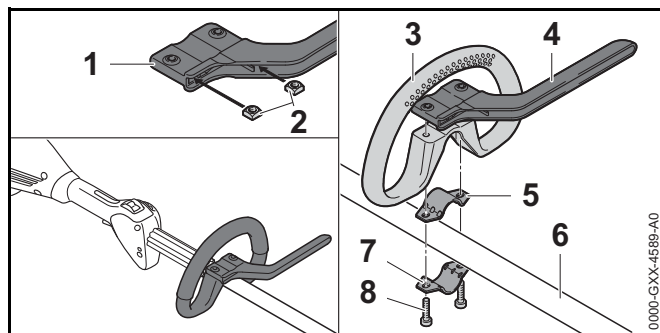
- ▶ Switch off the brushcutter and remove the battery.



- ▶ Fit the clamp (4) in the loop handle (3).
- ▶ Place the loop handle (3) with clamp (4) on the shaft (5).
- ▶ Fit the washers (2) on the screws (1).
- ▶ Press the clamp (6) against the shaft (5).
- ▶ Insert the screws (1) through holes in the loop handle (3) and clamps (4 and 6).
- ▶ Fit and tighten down the nuts (7) firmly.

7.2 Mounting the Barrier Bar

- ▶ Switch off the brushcutter and remove the battery.

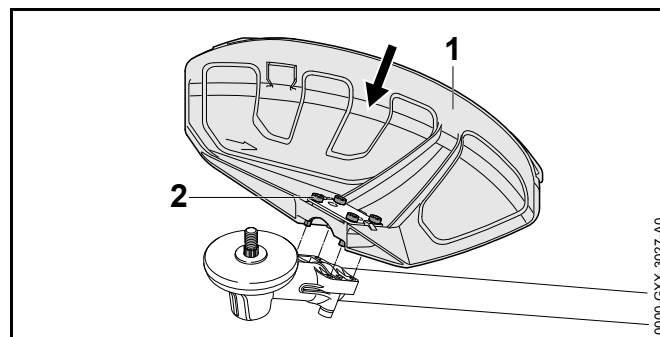


- ▶ Insert the nuts (2) in the barrier bar (1) so that the holes line up.
- ▶ Fit the clamp (5) in the loop handle (3).
- ▶ Place the loop handle (3) with clamp (5) and barrier bar (4) on the shaft (6).
- ▶ Press the clamp (7) against the shaft (6).
- ▶ Insert screws (8) and tighten.

7.3 Mounting and Removing the Deflector

7.3.1 Mounting the guard

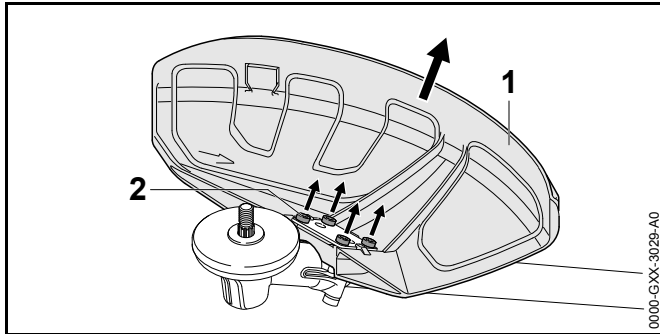
- ▶ Switch off the brushcutter and remove the battery.



- ▶ Push the deflector (1) into the guides on the gear housing up to the limit stop.
- ▶ Insert the screws (2) and tighten them firmly.

7.3.2 Removing the Deflector

- ▶ Switch off the brushcutter and remove the battery.

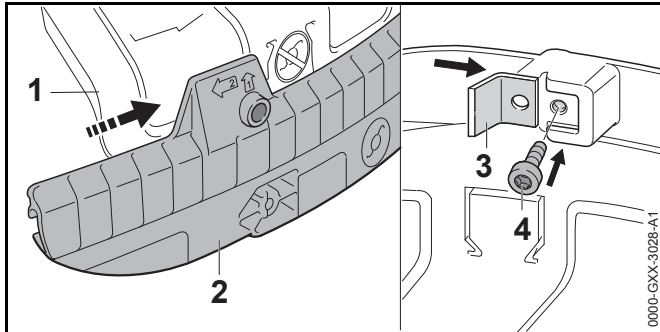


- ▶ Unscrew the screws (2).
- ▶ Pull off the deflector (1).

7.4 Fitting and Removing the Skirt

7.4.1 Fitting the Skirt

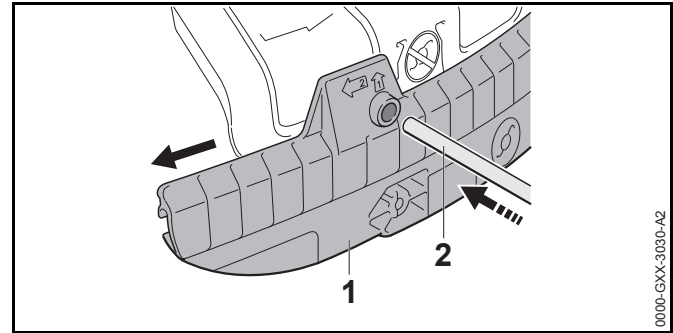
- ▶ Switch off the brushcutter and remove the battery.



- ▶ Slide the guide slot in the skirt (2) onto the universal deflector (1) – it must snap into position.
- ▶ Push the line limiting blade (3) into the slot in the skirt (2).
- ▶ Insert and tighten down the screw (4) firmly.

7.4.2 Removing the Skirt

- ▶ Switch off the brushcutter and remove the battery.

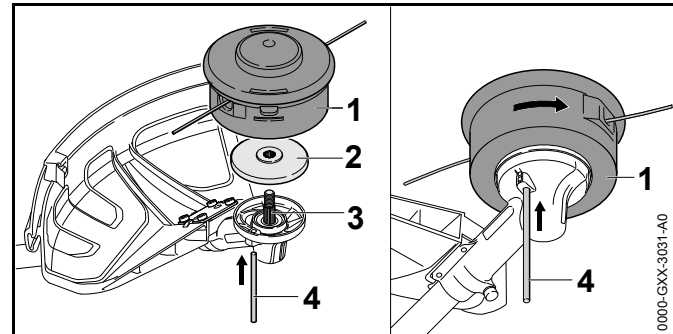


- ▶ Insert the stop pin (2) into the hole in the skirt (1).
 - ▶ Remove the skirt (1) with the stop pin (2).
- The line limiting blade (1) can be left on the skirt.

7.5 Mounting and Removing the Mowing Head

7.5.1 Mounting the Mowing Head

- ▶ Switch off the brushcutter and remove the battery.



- ▶ Place the thrust plate (2) on the shaft (3) so that its smaller diameter faces up.
- ▶ Fit the mowing head (1) on the shaft (3) and turn it counterclockwise by hand.
- ▶ Insert the stop pin (4) in the bore up to the limit stop and hold it depressed.
- ▶ Turn the mowing head (1) counterclockwise until the stop pin (4) engages in position. The shaft (3) is now blocked.

- ▶ Tighten down the mowing head (1) firmly by hand.
- ▶ Remove the stop pin (4).

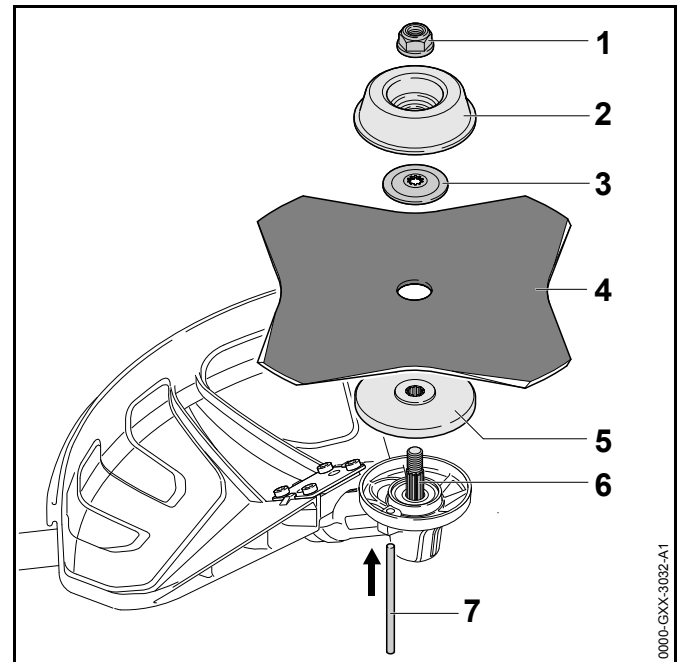
7.5.2 Removing the Mowing Head

- ▶ Switch off the brushcutter and remove the battery.
- ▶ Insert the stop pin in the bore up to the limit stop and hold it depressed.
- ▶ Rotate the mowing head until the stop pin engages in position.
The shaft is now blocked.
- ▶ Unscrew the mowing head clockwise.
- ▶ Remove the thrust plate.
- ▶ Remove the stop pin.

7.6 Removing and Installing Metal Cutting Attachment

7.6.1 Mounting the Metal Cutting Attachment

- ▶ Switch off the brushcutter and remove the battery.



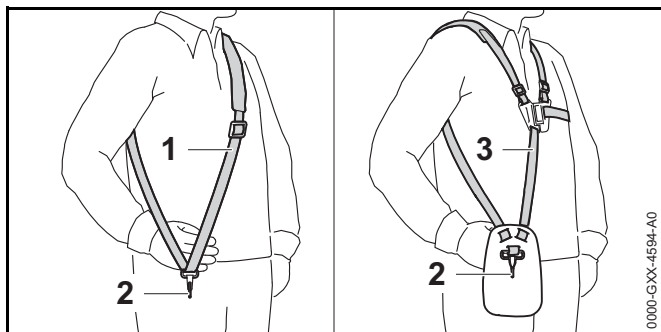
- ▶ Place the thrust plate (5) on the shaft (6) so that its smaller diameter faces up.
- ▶ Place the metal cutting attachment (4) on the thrust plate (5). If you are fitting a circular saw blade or a grass cutting blade with more than 4 cutting edges: Its cutting edges must face in the same direction as the arrow on the deflector.
- ▶ Place the thrust washer (3) on the metal cutting attachment (4) so that its raised side faces up.
- ▶ Place the rider plate (2) on the thrust washer (3) so that its closed side faces up.
- ▶ Insert the stop pin (7) in the bore up to the limit stop and hold it depressed.
- ▶ Rotate the metal cutting attachment (4) counterclockwise until the stop pin (7) engages in position.
The shaft (6) is now blocked.
- ▶ Fit the nut (1) counterclockwise and tighten it down firmly.
- ▶ Remove the stop pin (7).

7.6.2 Removing the metal cutting attachment

- ▶ Switch off the brushcutter and remove the battery.
- ▶ Insert the stop pin in the bore up to the limit stop and hold it depressed.
- ▶ Rotate the metal cutting attachment clockwise until the stop pin engages in position. The shaft is now blocked.
- ▶ Unscrew the mounting nut clockwise.
- ▶ Remove the rider plate, thrust washer, metal cutting attachment and thrust plate.
- ▶ Remove the stop pin.

8 Adjusting Trimmer for User

8.1 Fitting and Adjusting the Carrying System



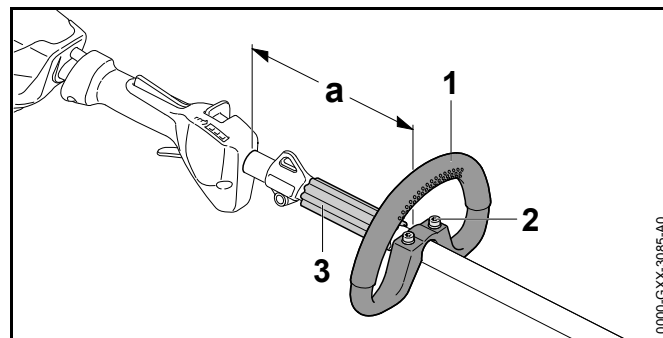
- ▶ Put on the shoulder strap (1) or full harness (3).
- ▶ Adjust the shoulder strap (1) or full harness (3) so that the carabiner (2) is about a hand's width below your right hip.

Other approved carrying systems are listed in this User Manual, 21.

8.2 Adjusting and Setting the Loop Handle

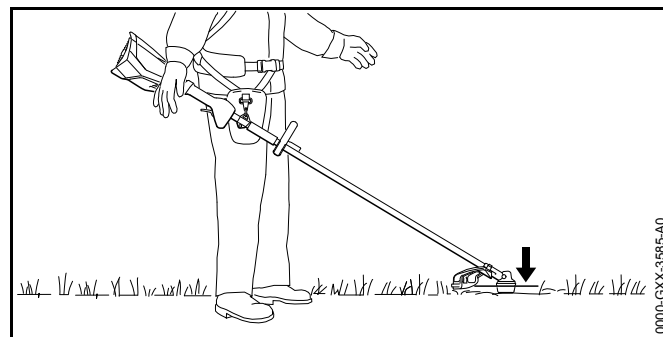
The loop handle can be set to different positions to suit the height and reach of the user.

- ▶ Switch off the brushcutter and remove the battery.



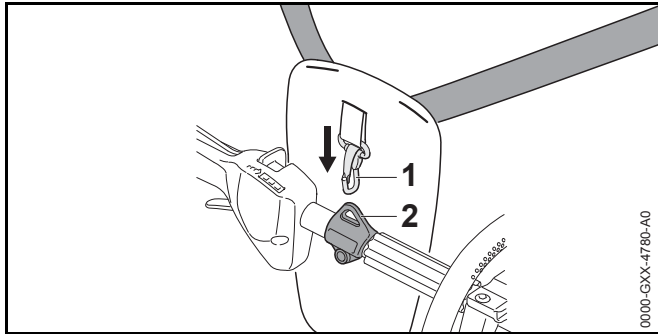
- ▶ Undo the screws (2).
- ▶ Move the loop handle (1) to the required position and check that the following conditions are met:
 - The bump guard (3) fits between the loop handle (1) and carrying ring.
 - If you are using a mowing head: a = no more than 30 cm
 - If you are using a metal cutting attachment: a = no more than 25 cm
- ▶ Tighten down the screws (2) so that the loop handle (1) cannot be rotated on the shaft.

8.3 Balancing the Brushcutter



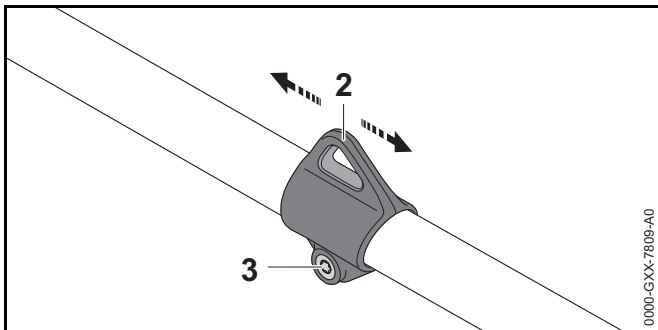
The cutting attachment should rest lightly on the ground.

- ▶ Switch off the brushcutter and remove the battery.



- ▶ Connect the carrying ring (2) to the carabiner (1).
- ▶ Wait for brushcutter to stop swinging.

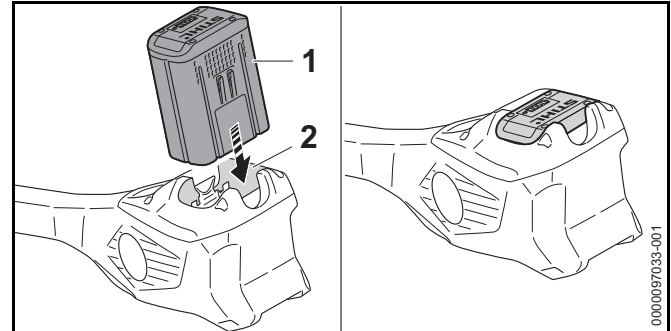
Check the position of cutting attachment. If it needs adjustment:



- ▶ Loosen the screw (3).
- ▶ Move the carrying ring (2) up or down the shaft until a correct balanced position is reached.
- ▶ Fully tighten the screw (3).

9 Removing and Fitting the Battery

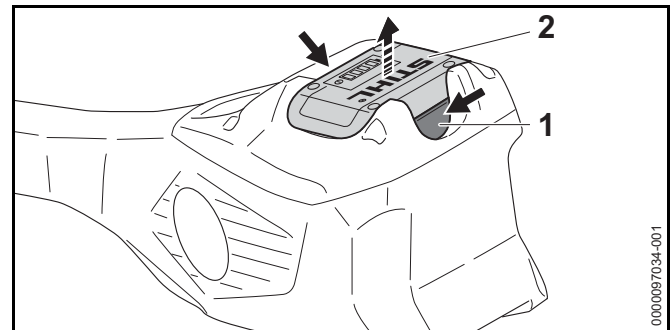
9.1 Inserting the Battery



- ▶ Insert the battery (1) up to the limit stop into the battery compartment (2).
- The battery (1) engages with a click and is now locked.

9.2 Removing the Battery

- ▶ Set the brushcutter on a level surface.

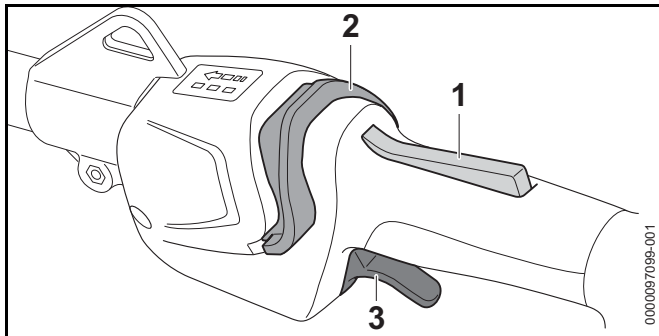


- ▶ Press both locking levers (1).
- The battery (2) is released and can be removed.

10 Switching the Trimmer On/Off

10.1 Switching the Brushcutter on

- ▶ Hold the brushcutter firmly with your right hand on the control handle – wrap your thumb around the handle.
- ▶ Hold the brushcutter with your left hand by the loop handle – wrap your thumb around the loop handle.



- ▶ Press the trigger lockout (1) with your hand and keep it pressed.
- ▶ Push the release slide (2) in the direction of the loop handle with your thumb and hold it there. The LEDs emit light to indicate the power level used last.
- ▶ Squeeze and hold the trigger (3) with your index finger. The brushcutter accelerates and the cutting attachment rotates.

The further the trigger (3) is depressed, the faster the rotation of the cutting attachment.

The brushcutter can also be switched on by first pressing the release slide (2) and pressing the trigger lockout (1) within 5 seconds (as long as the LEDs are flashing). The trigger (3) is now unlocked and the brushcutter is ready for use.

At power level 3, the brushcutter identifies the cutting attachment used and automatically sets the maximum speed.

The LEDs continue flashing for 5 seconds after the trigger (3) and trigger lockout (1) are released after switch-on. As long as the LEDs are flashing, the brushcutter can be switched on again without having to operate the release slide (2).

10.2 Switching Off

- ▶ Release the trigger and lockout lever at the same time.
- ▶ Wait for the cutting attachment to come to a standstill.
- ▶ If the cutting attachment continues to rotate: Remove the battery and contact your STIHL servicing dealer. The trimmer has a malfunction.

11 Testing the Trimmer and Battery

11.1 Checking the controls

Trigger lockout and trigger

- ▶ Remove the battery.
- ▶ Try pressing the trigger without pressing the trigger lockout.
- ▶ If you can press the trigger: Stop using your brushcutter and contact a STIHL dealer. The trigger lockout is faulty.
- ▶ Press and hold the trigger lockout.
- ▶ Squeeze and release the trigger.
- ▶ If the trigger or trigger lockout is stiff or does not spring back to the idle position: Do not use your brushcutter and contact your STIHL dealer for assistance. The trigger or the trigger lockout is defective.

Switching the Brushcutter on

- ▶ Insert battery.
- ▶ Press and hold the trigger lockout.
- ▶ Push the release slide in the direction of the loop handle with your thumb.

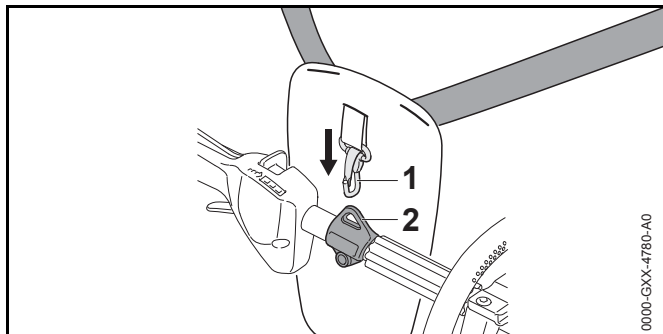
- ▶ Press and hold the trigger.
The cutting attachment rotates.
- ▶ If 3 LEDs on the battery flash red: Remove the battery and contact your STIHL dealer for assistance.
The brushcutter has a malfunction.
- ▶ Release the trigger.
The cutting attachment stops rotating after a brief delay.
- ▶ If the cutting attachment continues to rotate: Remove the battery and contact your STIHL dealer.
The brushcutter is defective.

11.2 Testing the Battery

- ▶ Press button on battery.
The LEDs glow or flash.
- ▶ If the LEDs do not glow or flash: Do not use the battery and contact your STIHL servicing dealer.
There is a malfunction in the battery.

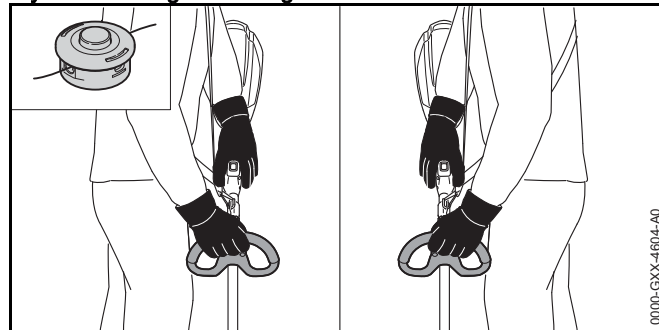
12 Operating the Trimmer

12.1 Holding and Controlling the Brushcutter



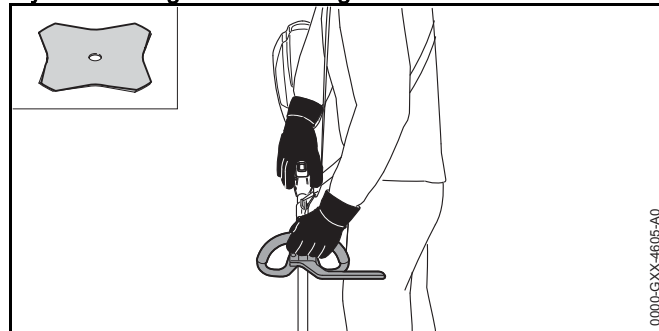
- ▶ Connect the carrying ring (2) to the carabiner (1).

If you are using a mowing head:



- ▶ Hold the brushcutter firmly with one hand on the control handle – wrap your thumb around the handle.
- ▶ Hold the brushcutter with your other hand on the loop handle – wrap your thumb around the loop handle.

If you are using a metal cutting attachment:

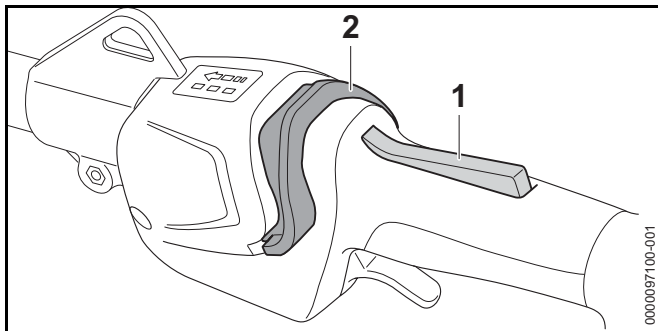


- ▶ Hold the brushcutter firmly with your right hand on the control handle – wrap your thumb around the handle.
- ▶ Hold the brushcutter with your left hand by the loop handle – wrap your thumb around the loop handle.

12.2 Setting the performance level

Depending on the application, 3 power levels can be set. The LEDs indicate the selected power level. The higher the power level, the faster the cutting attachment can run.

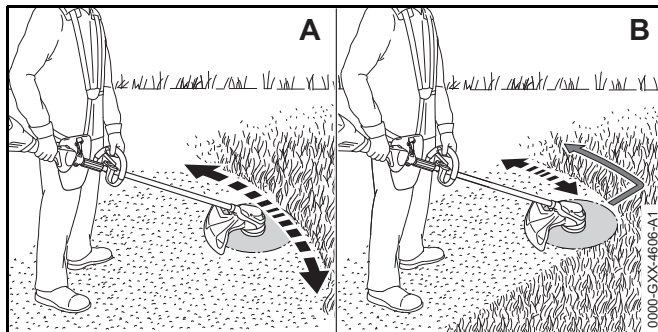
The selected power level affects the battery's runtime. The lower the power level, the longer the runtime.



- ▶ Depress the trigger lockout (1) and hold it in that position.
- ▶ Push the release slide (2) in the direction of the loop handle with your thumb and hold it there. The LEDs glow and show the power level selected.
- ▶ Push the release slide (2) forwards, hold it briefly in that position and allow it to spring back. This selects the next power level. After the third performance level, it starts again with the first performance level.
- ▶ Push the release slide (2) forwards and allow it to spring back as many times as necessary to select the required power level.

12.3 Mowing

The cutting height is determined by the distance of the cutting attachment from the ground.



Mowing with a mowing head (A)

- ▶ Swing the brushcutter steadily back and forth in an arc.
- ▶ Move forward slowly in a controlled manner.

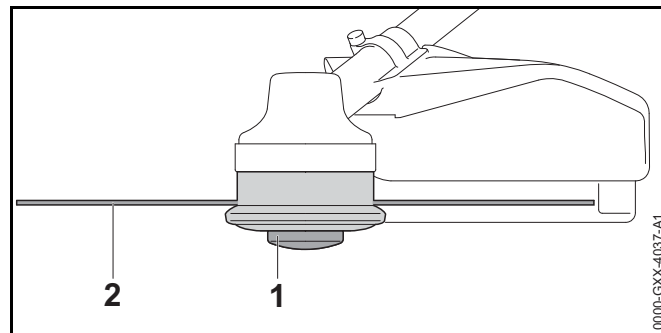
Mowing with a grass cutting blade or brush knife (B)

- ▶ Mow with the left-hand side on the metal cutting attachment.
- ▶ Move forward slowly in a controlled manner.

12.4 Adjusting Nylon Line

12.4.1 Line Feed on AutoCut Mowing Heads

- ▶ Briefly tap the rotating mowing head on the ground. About 30 mm of fresh nylon line is advanced. The line limiting blade in the deflector automatically cuts the mowing lines to the correct length.



Automatic feed will not take place if the mowing lines are shorter than 25 mm.

- ▶ Switch off the brushcutter and remove the battery.
- ▶ Depress the spool (1) on the mowing head and hold it depressed.
- ▶ Pull out the mowing lines (2) by hand.
- ▶ If the mowing lines (2) cannot be pulled out to the required length: Replace the spool (1) or the mowing lines (2). The spool is empty.

12.4.2 Line Feed on SuperCut Mowing Heads

Mowing lines are advanced automatically. The line limiting blade in the deflector automatically cuts the mowing lines to the correct length.

Automatic feed will not take place if the mowing lines are shorter than 40 mm.

- ▶ Switch off the brushcutter and remove the battery.
- ▶ Pull out the mowing lines by hand.
- ▶ If the mowing lines cannot be pulled out to required length: Replace the mowing lines. The spool is empty.

13 After Finishing Work

13.1 When Work is Finished

- ▶ Switch off the brushcutter and remove the battery.
- ▶ If the brushcutter is wet: Allow the brushcutter to dry.
- ▶ If the battery is wet: Allow the battery to dry.
- ▶ Clean the brushcutter.
- ▶ Clean the deflector.
- ▶ Clean the cutting attachment.
- ▶ Clean battery.
- ▶ If a metal cutting attachment is mounted: Fit the matching transport guard.

14 Transporting

14.1 Transporting the brushcutter

- ▶ Switch off the brushcutter and remove the battery.
- ▶ If a metal cutting attachment is mounted: Fit the matching transport guard.

Carrying the brushcutter

- ▶ Carry the brushcutter in one hand properly balanced by the shaft, with the cutting attachment behind you.

Transporting the brushcutter in the car

- ▶ Secure the brushcutter to prevent turnover and movement.

14.2 Transporting the Battery

- ▶ Switch off the trimmer and remove the battery.
- ▶ Make sure the battery is in a safe condition.
- ▶ Observe the following points when packing the battery:
 - The packaging must be non-conductive.
 - Make sure the battery cannot shift inside the packaging.
- ▶ Secure the packaging so that it cannot move.

The battery is subject to the requirements for the transport of dangerous goods. The battery is classified as UN 3480 (lithium-ion batteries) and has been tested in accordance with UN Manual of Tests and Criteria, Part III, sub-section 38.3.

For transport regulations see www.stihl.com/safety-data-sheets

15 Storing

15.1 Storing the Brushcutter

- ▶ Switch off the brushcutter and remove the battery.
- ▶ If a metal cutting attachment is mounted: Fit the matching transport guard.
- ▶ Ensure that the following conditions are met when storing the brushcutter:
 - The brushcutter is out of the reach of children.
 - The brushcutter is clean and dry.
- ▶ If you store the brushcutter for more than 3 months: Remove the cutting attachment.

15.2 Storing the Battery

STIHL recommends that you store the battery with a charge between 40 % and 60 % (2 LEDs glow green).

- ▶ Observe the following points when storing the battery:
 - Battery is out of the reach of children.
 - Battery is clean and dry.
 - Battery is in an enclosed space.
 - Store the battery separately from the trimmer and charger.
 - Battery is in non-conductive packaging.
 - Battery is in a temperature range between -10°C and +50°C.

16 Cleaning

16.1 Cleaning the Brushcutter

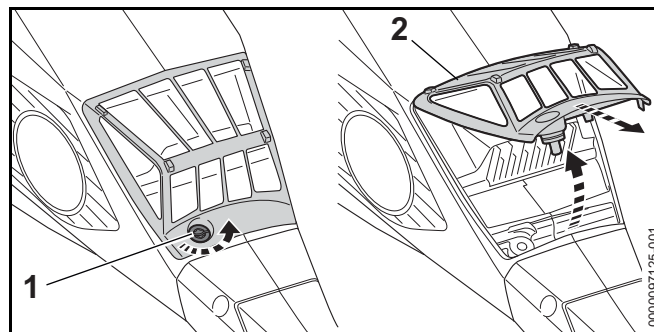
- ▶ Switch off the brushcutter and remove the battery.
- ▶ Clean the brushcutter with a damp cloth.
- ▶ Clean vents with a paintbrush.
- ▶ Remove foreign objects from the battery compartment and clean the battery compartment with a damp cloth.
- ▶ Clean the electrical contacts in the battery compartment with a paintbrush or soft brush.

16.2 Cleaning the Deflector and Cutting Attachment

- ▶ Switch off the trimmer and remove the battery.
- ▶ Clean the deflector and cutting attachment with a damp cloth or a soft brush.

16.3 Cleaning the Air Filter

- ▶ Switch off the brushcutter and remove the battery.



- ▶ Clean the area around the air filter (2) with a damp cloth or a soft brush.
- ▶ Turn the screw (1) counterclockwise until the air filter (2) can be removed.
- ▶ Swing the air filter (2) upwards and pull it off.
- ▶ Pass the air filter (2) under running water to rinse off coarse dirt from the outside.
- ▶ If the air filter (2) is damaged: Install a new air filter (2).
- ▶ Allow the air filter (2) to dry in the air.
- ▶ Install the air filter (2) in the housing and fold it down. The air filter (2) must sit flush in the housing at all sides.
- ▶ Insert and tighten down the screw (1) firmly.

16.4 Cleaning the Battery

- ▶ Clean the battery with a damp cloth.

17 Maintenance

17.1 Maintenance intervals

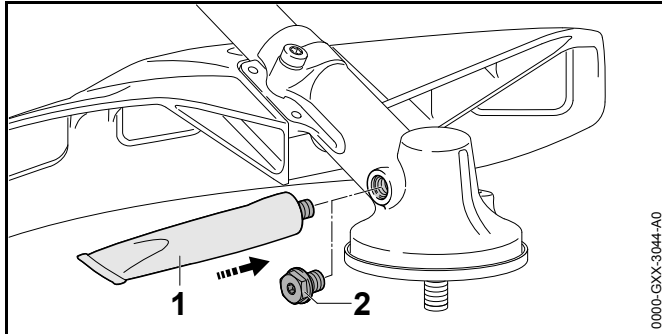
Maintenance intervals depend on the ambient conditions and the operating conditions. STIHL recommends the following maintenance intervals:

After every 50 hours of operation

- ▶ Lubricate the gearbox.
- ▶ Clean the air filter.

Annually

- ▶ Have the brushcutter checked by a STIHL dealer.

17.2 Lubricating the Gearbox

- ▶ Remove the screw plug (2).
- ▶ If no grease can be seen on the end of the screw plug (2):
 - ▶ Screw the tube (1) of STIHL gear grease into the filler hole.
 - ▶ Squeeze 5 g of STIHL gear grease into the gear housing.
 - ▶ Unscrew the tube (1) of STIHL gear grease.
 - ▶ Refit and tighten down the screw plug (2) firmly.
 - ▶ Run the trimmer for 1 minute.
STIHL gear grease is distributed evenly.

17.3 Sharpening and Balancing a Metal Cutting Attachment

Correctly sharpening and balancing metal cutting attachments requires a lot of practice.

STIHL recommends you have metal cutting attachments resharpened and balanced by a STIHL servicing dealer.

- ▶ Sharpen the metal cutting attachment as described in the instructions and on the packaging supplied with the cutting attachment you are using.

18 Repairing**18.1 Repairing the Trimmer and Cutting Attachment**

The trimmer and cutting attachment cannot be repaired by the user.

- ▶ If the trimmer or cutting attachment is damaged: Do not use your trimmer or cutting attachment and contact your STIHL servicing dealer.

18.2 Servicing and Repairing the Battery

The battery requires no servicing and cannot be repaired.

- ▶ If the battery has a malfunction or is damaged: Replace the battery.

19 Troubleshooting

19.1 Troubleshooting Brushcutter or Battery

Fault	LEDs on the battery	Cause	Remedy
The brushcutter does not start when switched on.	1 LED flashing green.	State of charge of the battery is too low.	▶ Recharge the battery fully as described in the User Manual for the STIHL AL 101, 300, 500 chargers.
	1 LED emits red light.	The battery is too warm or too cold.	▶ Remove the battery. ▶ Allow the battery to cool down or warm up.
	3 LEDs flash red.	The brushcutter has a malfunction.	▶ Remove the battery. ▶ Clean electrical contacts in the battery compartment. ▶ Insert battery. ▶ Switch on the brushcutter. ▶ If 3 LEDs continue to flash red: Do not use your brushcutter and contact your STIHL dealer for assistance.
	3 LEDs light up red.	Trimmer is too hot.	▶ Remove the battery. ▶ Allow trimmer to cool down.
	4 LEDs flash red.	There is a fault in the battery.	▶ Remove battery and reinsert it. ▶ Switch on the brushcutter. ▶ If 4 LEDs continue to flash red: Do not use the battery and contact your STIHL dealer for assistance.
		No electrical contact between brushcutter and battery.	▶ Remove the battery. ▶ Clean electrical contacts in the battery compartment. ▶ Insert battery.
		The brushcutter or battery is damp.	▶ Allow the brushcutter or battery to dry.
		Trigger depressed before operating the release slide.	▶ Switch on the brushcutter as described in this User Manual.
	The brushcutter cuts out during operation.	3 LEDs light up red.	Trimmer is too hot.

Fault	LEDs on the battery	Cause	Remedy
		There is an electrical fault.	<ul style="list-style-type: none"> ▶ Remove battery and reinsert it. ▶ Switch on the brushcutter.
The runtime of the brushcutter is too short.		The battery is not fully charged.	▶ Recharge the battery fully as described in the User Manual for the STIHL AL 101, 300, 500 chargers.
		The battery life has been exceeded.	▶ Replace battery.
The power levels cannot be set.		The trigger is depressed and the brushcutter switched on.	<ul style="list-style-type: none"> ▶ Release the trigger and hold only the trigger lockout depressed. ▶ Select the power level as described in this User Manual.

20 Specifications

20.1 STIHL FSA 135 R Brushcutters

- Permitted batteries:
 - STIHL AP
 - STIHL AR
- Weight without battery, cutting attachment and guard: 4.6 kg
- Length without cutting attachment: 1885 mm

The running time is shown at www.stihl.com/battery-life.

20.2 STIHL AP battery

- Battery Technology: Lithium-ion
- Voltage: 36 V
- Capacity in Ah: see rating label
- Energy content in Wh: see rating label
- Weight in kg: see rating label
- Permissible temperature range for operation and storage: -10°C to +50°C

20.3 Sound Values and Vibration Values

The K-value for sound pressure levels is 2 dB(A). K-value for sound power levels is 2 dB(A). The K-value for vibration level is 2 m/s².

STIHL recommends wearing ear defenders.

Using with a mowing head except PolyCut 28-2

- Sound pressure level L_{pA} measured as specified in EN 50636-2-91: 80 dB(A)
- Sound power level L_{WA} measured according to EN 50636-2-91: 92 dB(A)
- Vibration level a_{hv} measured according to EN 50636-2-91
 - Control handle: 1.8 m/s²

- Left handle: 3.7 m/s²

Using with a mowing head PolyCut 28-2

- Sound pressure level L_{pA} measured according to EN 50636-2-91: 84 dB(A)
- Sound power level L_{WA} measured according to EN 50636-2-91: 97 dB(A)
- Vibration level a_{hv} measured according to EN 50636-2-91
 - Control handle: 1.8 m/s²
 - Left handle: 3.7 m/s²

Using with a metal cutting attachment

- Sound pressure level L_{pA} measured as specified in EN 50636-2-91: 80 dB(A)
- Sound power level L_{WA} measured according to EN 50636-2-91: 92 dB(A)
- Vibration level a_{hv} measured according to EN 50636-2-91
 - Control handle: 2.9 m/s²
 - Left handle: 2.9 m/s²

The vibration levels indicated were measured according to a standardized test method and can be used as a basis for comparing electric power tools. The vibration levels actually occurring may vary from the values indicated, depending on the type of application. The vibration levels indicated can be used for an initial estimate of the vibration stress. The actual vibration stress has to be estimated. The times when the electric power tool is switched off and the times when it is switched on but running under no load can be taken into account in the estimate.

For information on compliance with Employers' Vibration Directive 2002/44/EC see www.stihl.com/vib.

20.4 REACH

REACH is an EC regulation and stands for the Registration, Evaluation, Authorisation and Restriction of Chemical substances.

For information on compliance with the REACH regulation
see www.stihl.com/reach.

21 Combinations of Cutting Attachments, Deflectors and Carrying Systems

21.1 Combinations of Cutting Attachments, Deflectors and Carrying Systems

Cutting attachment	Deflector	Barrier bar	Carrying system
<ul style="list-style-type: none"> – PolyCut 28-2 <p>Mowing head with 2.4 mm diameter “round, silent” mowing line:</p> <ul style="list-style-type: none"> – AutoCut 25-2 mowing head – AutoCut C 26-2 mowing head – DuroCut 20-2 mowing head – SuperCut mowing head 20-2 – FixCut 31-2 mowing head <p>Mowing head with 2.7 mm diameter “round, silent” mowing line:</p> <ul style="list-style-type: none"> – AutoCut 36-2 mowing head – Mowing head TrimCut C 32-2 	<ul style="list-style-type: none"> – Guard for mowing heads – Universal deflector with skirt and line limiting blade 	<ul style="list-style-type: none"> – optional 	<ul style="list-style-type: none"> – Shoulder strap – Full harness with quick release system – STIHL AR battery with the support cushion – Battery belt with attached “AP belt bag with connecting cable” together with the shoulder strap – Battery belt with strap and attached “AP belt bag with connecting cable” together with the support cushion – Carrying system with built-in “AP belt bag with connecting cable” together with the support cushion
<ul style="list-style-type: none"> – Grass cutting blade 230-2 (230 mm dia.) – Grass cutting blade 230-4 (230 mm dia.) – Grass cutting blade 230-8 (230 mm dia.) – Grass cutting blade 250-32 (250 mm dia.) – Grass cutting blade 260-2 (260 mm dia.) 	<ul style="list-style-type: none"> – Universal deflector without skirt 	<ul style="list-style-type: none"> – required 	
<ul style="list-style-type: none"> – Brush knife 250-3 (Ø 250 mm) 			

Description of the carrying systems



Shoulder strap



Full harness



STIHL AR battery together with the support cushion



Battery belt with attached "AP belt bag with connecting cable" together with the shoulder strap




Battery belt with strap and attached "AP belt bag with connecting cable" together with the support cushion



Carrying system with built-in "AP belt bag with connecting cable" together with the support cushion

22 Spare Parts and Accessories

22.1 Spare parts and accessories

STIHL  These symbols indicate original STIHL spare parts and original STIHL accessories.

STIHL recommends the use of original STIHL spare parts and accessories.

Despite ongoing market observation, STIHL is unable to judge the reliability, safety and suitability of other manufacturers' spare parts and accessories; accordingly, STIHL cannot warrant for the use of those parts.

Original STIHL spare parts and original STIHL accessories are available from STIHL dealers.

23 Disposal

23.1 Disposing of the Trimmer and Battery

Contact the local authorities or your STIHL dealer for information on disposal.

Improper disposal can be harmful to health and pollute the environment.

- ▶ Take STIHL products including packaging to a suitable collection point for recycling in accordance with local regulations.
- ▶ Do not dispose with domestic waste.

24 EC Declaration of Conformity

24.1 STIHL FSA 135 R Brushcutter

ANDREAS STIHL AG & Co. KG
Badstraße 115
D-71336 Waiblingen
Germany

declare under our sole responsibility that

- category: Cordless brushcutter
- Manufacturer's brand: STIHL
- model: FSA 135 R
- serial number: FA01

conforms to the relevant provisions of Directives 2011/65/EU, 2006/42/EC, 2014/30/EU and 2000/14/EC and has been developed and manufactured in compliance with the following standards in the versions valid on the date of production: EN 55014-1, EN 55014-2, EN 62233, EN 60335-1 and EN ISO 12100, taking account of standards EN 50636-2-91 and ISO 11806-1.

The measured and guaranteed sound power levels were determined according to Directive 2000/14/EC, Annex VI.

Participating notified body: VDE Prüf- u. Zertifizierungsinstitut, Merianstraße 28, 63069 Offenbach, Germany

- Measured sound power level: 92 dB(A)
- Guaranteed sound power level: 94 dB(A)


The technical documents are stored at ANDREAS STIHL AG & Co. KG Produktzulassung.

The year of manufacture, country of manufacture and serial number are shown on the rating plate of the brushcutter.

Done at Waiblingen, 15.07.2021

ANDREAS STIHL AG & Co. KG

pp



Dr. Jürgen Hoffmann, Director Product Certification & Regulatory Affairs

25 UKCA Declaration of Conformity

25.1 STIHL FSA 135 R Brushcutter



ANDREAS STIHL AG & Co. KG
Badstraße 115
D-71336 Waiblingen
Germany

declare under our sole responsibility that

- category: Cordless brushcutter
- Manufacturer's brand: STIHL

- model: FSA 135 R
- Serial identification number: FA01

complies with the relevant provisions of the UK regulations The Restriction of the Use of Certain Hazardous Substances in Electrical and Electronic Equipment Regulations 2012, Supply of Machinery (Safety) Regulations 2008, Electromagnetic Compatibility Regulations 2016 and Noise Emission in the Environment by Equipment for use Outdoors Regulations 2001 and has been developed and manufactured in compliance with the following standards in the versions valid on the date of production: EN 55014-1, EN 55014-2, EN 62233, EN 60335-1 and EN ISO 12100 taking into account standards EN 50636-2-91 and ISO 11806-1.

The measured and the guaranteed sound power level have been determined in accordance with UK regulation Noise Emission in the Environment by Equipment for use Outdoors Regulations 2001, Schedule 9..

Participating notified body: INTERTEK Testing & Certification Ltd, Academy Place, 1-9 Brook Street, Brentwood, Essex, CM14 5NQ, United Kingdom

- Measured sound power level: 92 dB(A)
- Guaranteed sound power level: 94 dB(A)

The technical documents are stored at ANDREAS STIHL AG & Co. KG Produktzulassung.

The year of manufacture, country of manufacture and serial number are shown on the rating plate of the brushcutter.

Done at Waiblingen, 15.07.2021

ANDREAS STIHL AG & Co. KG

pp



Dr. Jürgen Hoffmann, Director Product Certification & Regulatory Affairs

0458-662-0121-B

englisch



www.stihl.com



0458-662-0121-B