



OLYMPIC CYLINDER MOWERS 500 GOLF SERIES

<u>Mower</u>	<u>Model</u>	<u>Spec</u>	<u>Engine</u>	<u>Shaft Dia</u>	<u>Start Year</u>	<u>Serial #</u>
019052	500 - PRR	"A" Golf	Intek 60IC	19	Dec 2010	7353383
019111	500 - PRR	"B" Golf	B&S 163cc	19	Sep 2015	7923048

PRR = Cylinder Mowers fitted with a painted Rear Roller

Photo shows 019052



Photo shows 019111



"A" Approx Ground Speed 5.5Kph

Where assembled parts differ,
These are shown as "A"

"B" Approx Ground Speed 4.5Kph

Where assembled parts differ,
These are shown as "B"

Issue C.5
ECN 04085
Feb 2020 PB
REF # 719052S

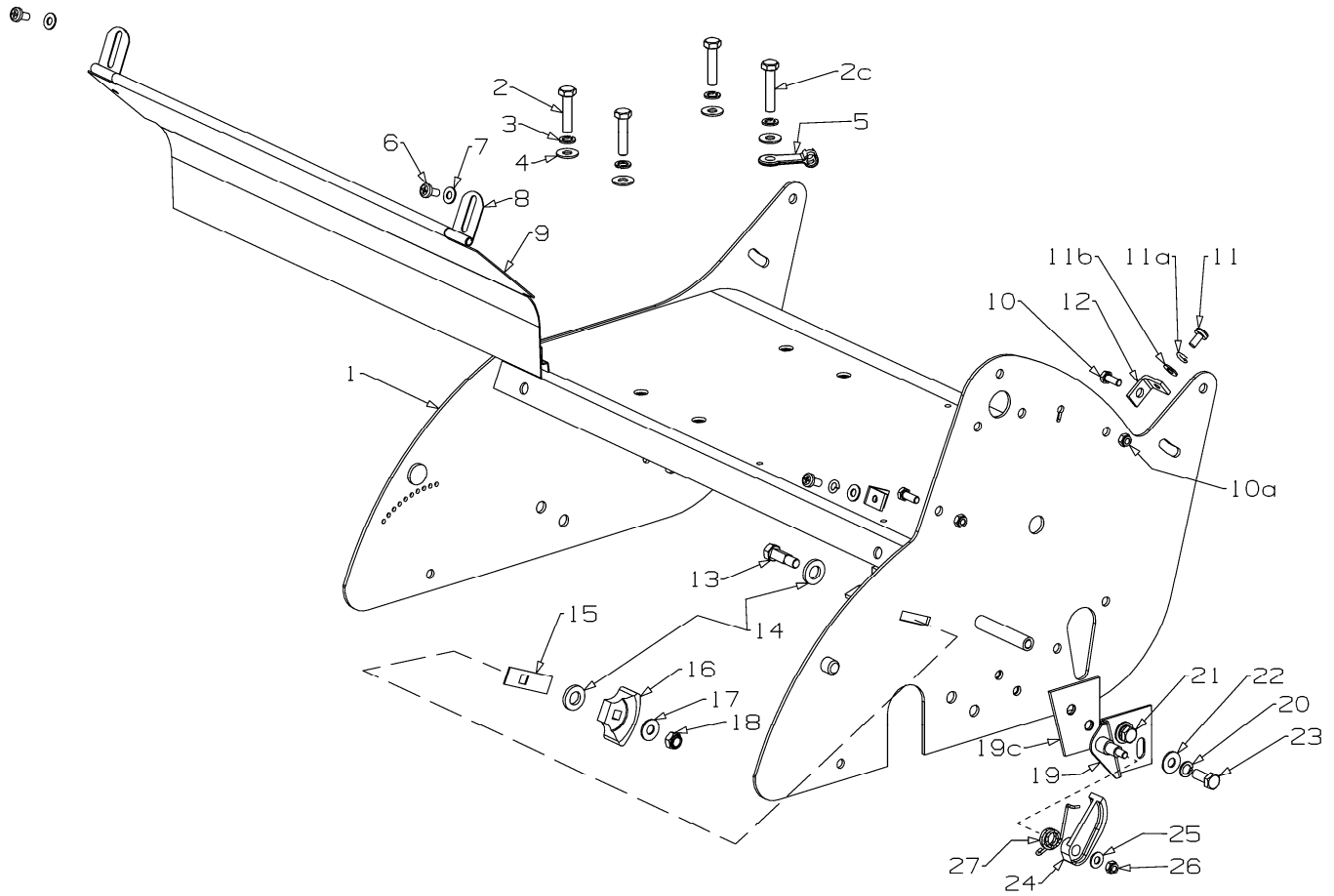
Not Illustrated		
031888	Decal, Caution S/N & dB 500	1
031891	Decal, Trans Cover 5/660	1
031894	Decal, G/Catcher 500	1
031900	Decal, Caution, Feet & Hands	1
031992	Owner Manual, Reel Mower	1
537967	Washer-Rear Axle (If required)	3

Part No	Description	Qty
731969	Catcher Assy, 500 Plastic- Green	1



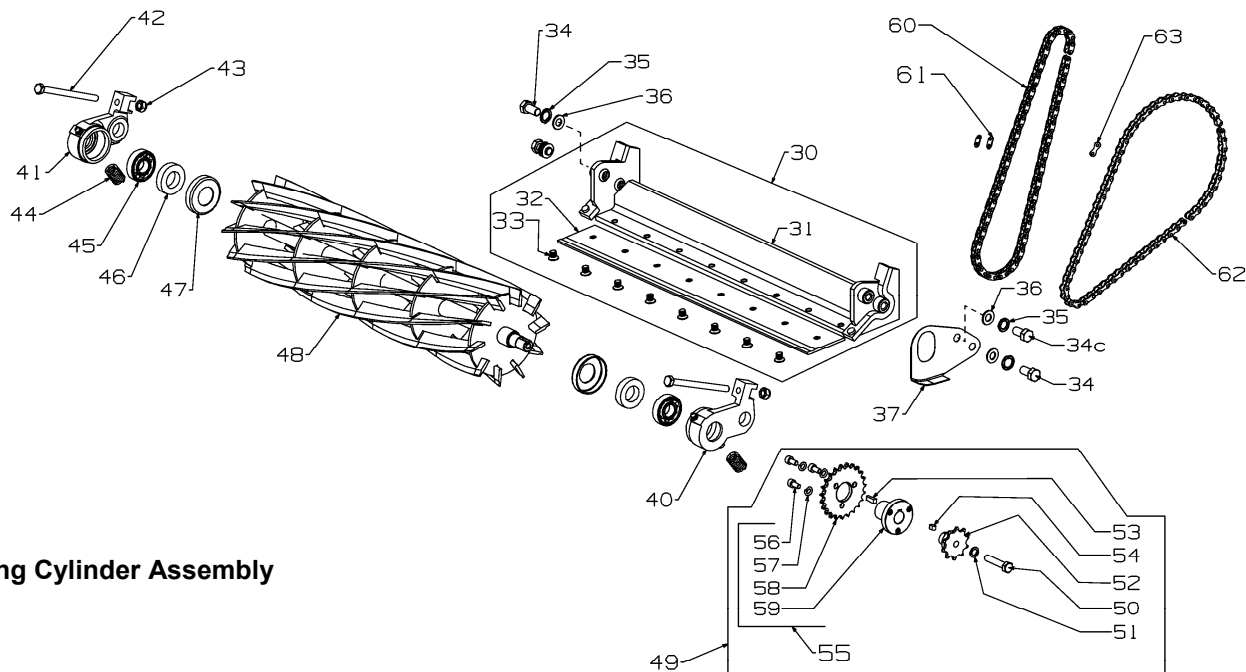
SPARES OPTIONS

732181	Slow Down Kit	1	Converts from A to B
732226	Speed Up Kit	1	Converts from B to A



Item	Part No	Description	Qty	Item	Part No	Description	Qty
1	031590	Chassis Assy- 500 Green	1	15	002845	Sealplate- Chain Adjuster	1
2	501716	Set Screw, M8 x 35 Hex HT	3	16	002844	Adjuster- Chain, Fixed Nylon	1
2c	501843	Set Screw, M8 x 40 Hex	1	17	501606	Washer, Flat 8 x 19 x 1.6	1
3	503747	Washer, Spg 8	4	18	501793	Nut, M8 Hex Nyloc x 8mm thick	1
4	501606	Washer, Flat 8 x 19 x 1.6	4	19	004942	Plate Assy, Mounting	1
5	581527	Retainer, Clutch Cable	1	19c	032250	Plate- Spacer, Chain Align	1
6	503591	Screw, Pan M6 x 12	2	20	503747	Washer Spg 8	2
7	501703	Washer, Flat 6 x 14 x 1.2	2	21	501571	Set Screw, M8 x 16 Hex	1
8	002589	Bracket, Grass Chute	2	22	501606	Washer, Flat 8 x 19 x 1.6	2
9	008901	Deflector, Grass- 500	1	23	501571	Set Screw, M8 x 16 Hex	1
10	501702	Set Screw, M6 x 16 Hex	2	24	004963	Adjuster- Chain, Tension Nylon	1
10a	501764	Nut, M6 Hex Nyloc x 6mm thick	2	25	501703	Washer, Flat 6 x 14 x 1.2	1
11	503591	Screw, Pan M6 x 12	2	26	501764	Nut, M6 Hex Nyloc x 6mm thick	1
11a	500201	Washer, Spg 6	2	27	004945	Spring	1
11b	501703	Washer, Flat 6 x 14 x 1.2	2				
12	031915	Bracket- Chain Cover	2				
13	002848	Bolt- Adjuster, Chain	1				
14	006028	Washer, Flat 12 x 22 x 3.0	2				

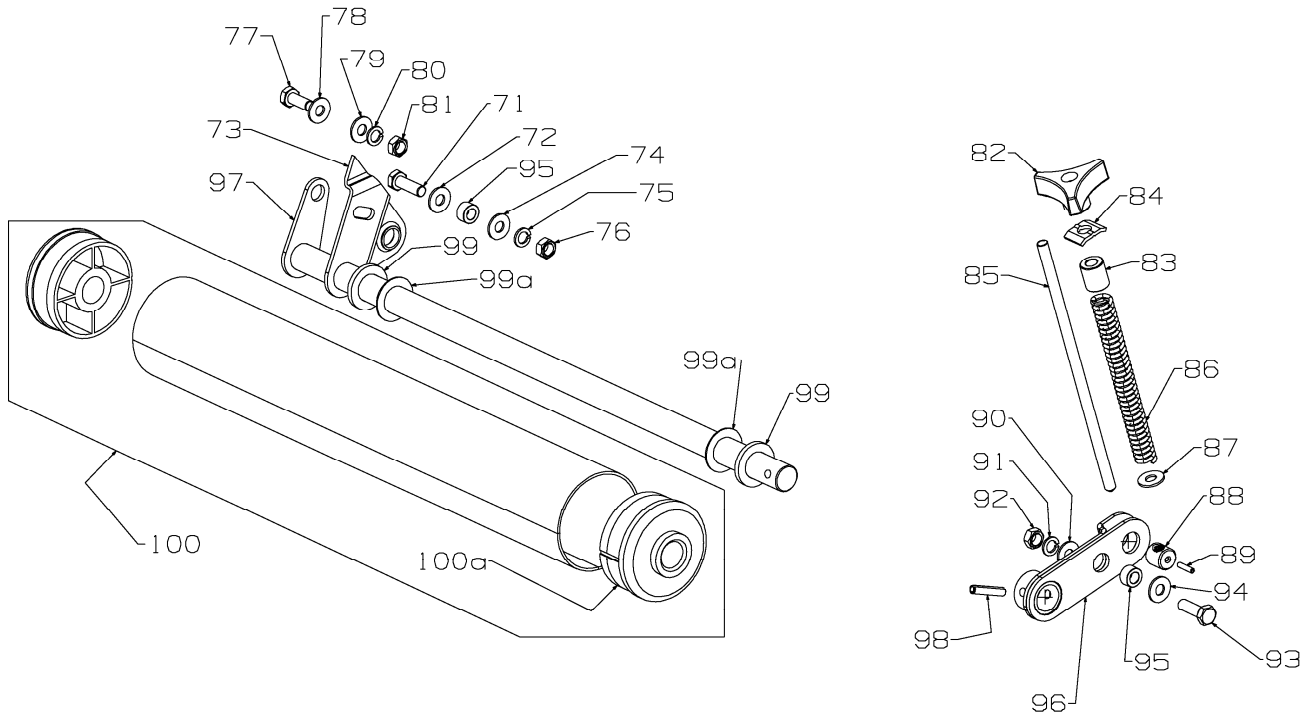
When ordering spares: PLEASE QUOTE PART NUMBER & Description, NOT illustrated number. Item Qty = 1 per part unless stated differently. **BOLD TEXT** = Assemblies. Text starting with * = items included in the assemblies & may not be available as a spares item. Determine the left hand or right hand sides by standing in the operating position (standing at the handle).



Cutting Cylinder Assembly

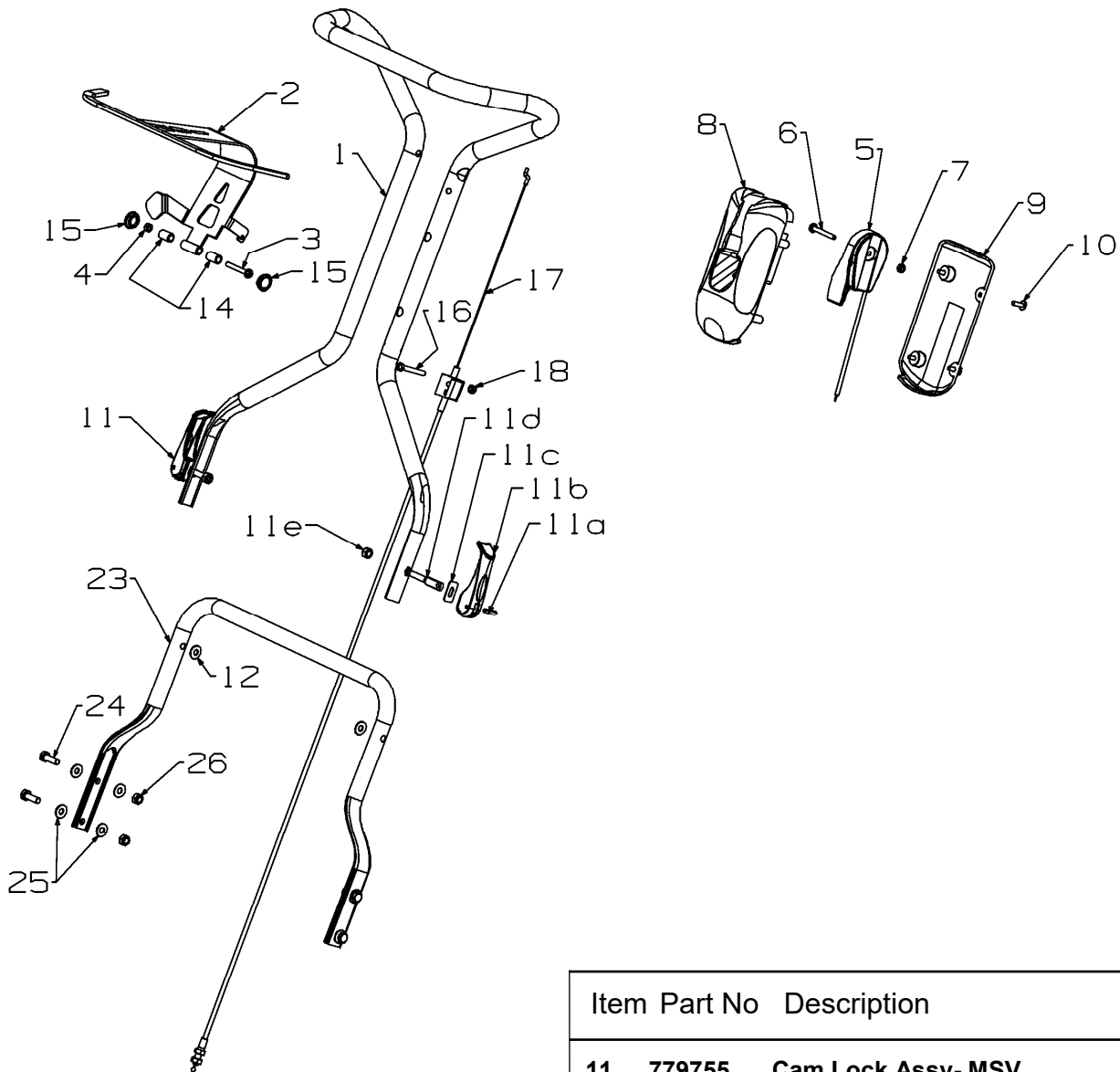
Item	Part No	Description	Qty	Item	Part No	Description	Qty
				53	*032005	Key 5 x 5 x 16	1
				54	*032004	Key 5 x 5 x 10	1
				55 A	*032045	Sprocket Assy - 23 Key (includes items 56,57,58A and 59)	1
				55 B	*032222	Sprocket Assy - 26 Key (includes items 56,57,58B and 59)	1
30	032035	Back Plate Brkt, Blade Assy 500G 1 (includes items,31,32,33)		56	*502004	Screw, Cap M6 x 12	3
31	*009862	Bracket Assy Back plate 500	1	57	*500201	Washer, Spg 6	3
32	*032021	Blade, Baseplate 500	1	58 A	*032003	Sprocket 23T	1
33	*008611	Screw, CSK M8 x 10 Allen Head	8	58 B	*032174	Sprocket 26T	1
34	501760	Set Screw, M10 x 20 Hex	3	59	*032001	Boss Sprocket Key	1
34c A	501760	Set Screw, M10 x 20 Hex	1	60 A	002835	Chain- 0.23xP 3/8", 75P	1
34c B	502207	Set Screw, M10 x 20 (Short Head)	1	61	*731972	Link- Chain 3/8"	1
35	503897	Washer, Spg 10	4	60 B	032187	Chain- 0.23xP 3/8", 77P	1
36	501704	Washer, Flt 10 x 19 x 1.6	4	61	*731972	Link- Chain 3/8"	1
37	002561	Plate- Seal, Chain case	1	62	004299	Chain- 0.205x P 1/2", 59P	1
40	032023	Housing- Assy Bearing, LH	1	63	*731971	Link- Chain 1/2"	1
41	032024	Housing- Assy Bearing, RH	1				
42	006282	Bolt, Set NF 5/16"x4" Hex	2				
43	007240	Nut, NF 5/16 Hex Nyloc Type "P"	2				
44	002581	Spring- Baseplate	2				
45	503273	Bearing, Ball 17x40x12 6203 2S	2				
46	002583	Seal- Felt	2				
47	005211	Cover- Dust, Cylinder Bearing	2				
48	032018	Cylinder Assy- Cut, Key, 500, Golf	1				
49 A	032006	Sprocket Assy-10/23 (includes items 50,51,52,53,54 and 55A)	1				
49 B	032223	Sprocket Assy-10/23 (includes items 50,51,52,53,54 and 55B)	1				
50	*301345	Set Screw, M8 x 45HT	1				
51	*503747	Washer Spg 8	1				
52	*032002	Sprocket 10T	1				

When ordering spares: PLEASE QUOTE PART NUMBER & Description, NOT illustrated number. Item Qty = 1 per part unless stated differently.
BOLD TEXT = Assemblies. Text starting with * = items included in the assemblies & may not be available as a spares item.
Determine the left hand or right hand sides by standing in the operating position (standing at the handle).



Item	Part No	Description	Qty	Item	Part No	Description	Qty
70	032026	Spindle & Brkt Assy Golf 500	1	87	*501606	Washer, Flat 8 x 19 x 1.6	1
71	*501598	Set Screw, M8 x 25 Hex	1	88	*004990	Spindle, Trunnion	1
72	*501606	Washer, Flat 8 x 19 x 1.6	1	89	*032087	Pin, Tension 3.0 x 16	1
73	*004983	Bracket- Front Roller, RH	1	90	*501606	Washer, Flat 8 x 19 x 1.6	1
74	*501606	Washer, Flat 8 x 19 x 1.6	1	91	*503747	Washer, Spg 8	1
75	*503747	Washer, Spg 8	1	92	*501602	Nut, M8 Hex	1
76	*501602	Nut, M8 Hex	1	93	*501598	Set Screw, M8 x 25 Hex	1
77	*501597	Set Screw, M8 x 20 Hex	1	94	*501606	Washer, Flat 8 x 19 x 1.6	1
78	*501606	Washer, Flat 8 x 19 x 1.6	1	95	*004991	Bush- Pivot, Front Roller	2
79	*501606	Washer, Flat 8 x 19 x 1.6	1	96	*004984	Bracket Assy- Adj, Front Roller	1
80	*503747	Washer, Spg 8	1	97	*004977	Spindle Assy Front 500	1
81	*501602	Nut, M8 Hex	1	98	*007496	Pin, Tension 6.0 x 30	1
82	*574230	Knob- Plastic, M8 Insert	1	99	*501432	Washer, Flat 20 x 33 x 4.0	2
83	*031910	Spacer- Knob	1	99a	*537967	Washer, Flat 20 x 33 x 1.0	2
84	*004973	Plate Slipper	1	100	*032029	Roller Assy-Front, 500 Golf	1
85	*004988	Spindle- Adj, Front Roller	1	100a	**005478	Cap- End 72.3	2
86	*004691	Spring- Height Adjust	1				

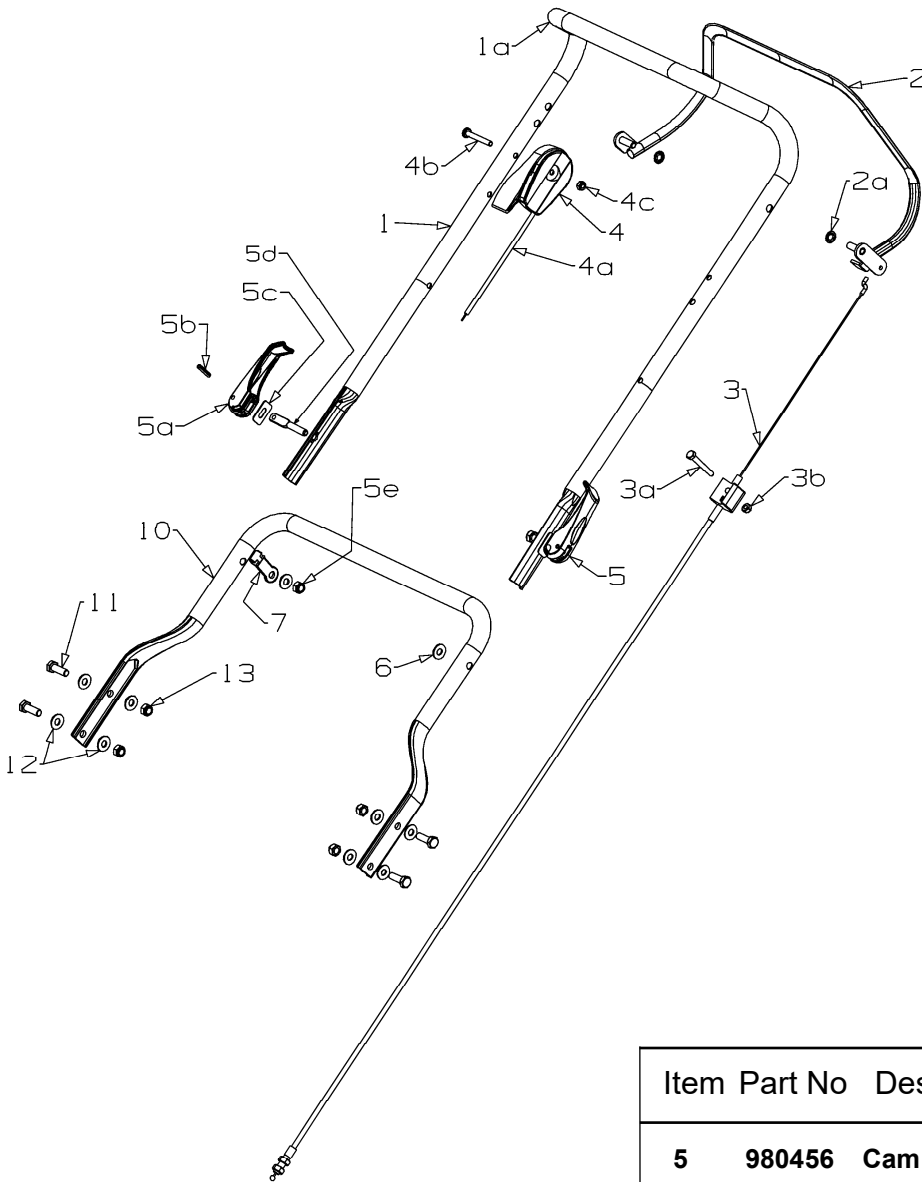
When ordering spares: PLEASE QUOTE PART NUMBER & Description, NOT illustrated number. Item Qty = 1 per part unless stated differently.
BOLD TEXT = Assemblies. Text starting with * = items included in the assemblies & may not be available as a spares item.
 Determine the left hand or right hand sides by standing in the operating position (standing at the handle).



Item	Part No	Description	Qty
11	779755	Cam Lock Assy- MSV	2
11a	503369	*Pin, Tension 5.0 x 22	1
11b	582419	*Lever Handle Locking	1
11c	016777	*Washer Slipper	1
11d	583041	*Stud Handle Lock 61mm	1
11e	501793	*Nut M8 Hex Nyloc x 8mm thick	1
12	501606	Washer, Flat 8 x 19 x 1.6	2
14	583504	Pivot- Bail Arm	2
15	503882	Grommet Blanking 3/4"(19mm)	2
16	580160	Screw-Set, M6 x 50	1
17	031990	Cable-Clutch, Reel Mower	1
18	501764	Nut, M6 Hex Nyloc x 6 thick	1
23	031849	Handle- Lower, 500	1
24	501597	Screw, Set M8 x 20	4
25	501606	Washer, Flat 8 x 19 x 1.6	8
26	501793	Nut, M8 Nyloc x 8mm thick	4

Item	Part No	Description	Qty
1	731847	Handle & Sleeve R/MWR	1
2	979279	Bail Arm Assy, SP MSV Red	1
3	503883	Bolt Hex M8 x 100	1
4	501793	Nut, M8 Hex Nyloc x 8mm thick	1
5	583458	Throttle Ctrl & Cable, Wescon	1
6	503604	*Screw, Pan M6x45	1
7	501764	*Nut, M6 Hex Nyloc x 6 thick	1
8	983351	Mount Throttle, Top Plain MSV	1
	583442	*Mount Throttle, Top Plain	1
9	583340	Cover Throttle Bottom	1
10	503650	Screw; S/T #12x11/16"	4

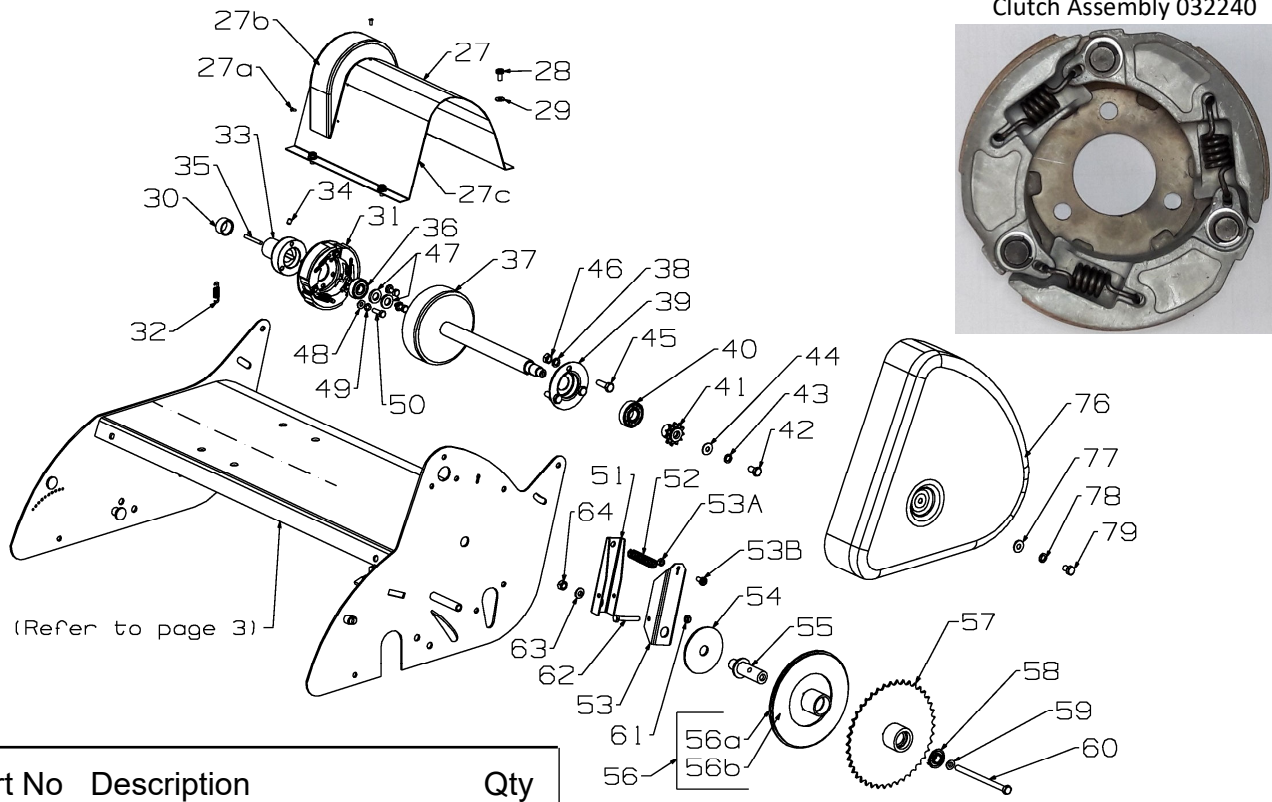
When ordering spares: PLEASE QUOTE PART NUMBER & Description, NOT illustrated number. Item Qty = 1 per part unless stated differently. **BOLD TEXT** = Assemblies. Text starting with * = items included in the assemblies & may not be available as a spares item. Determine the left hand or right hand sides by standing in the operating position (standing at the handle).



Item	Part No	Description	Qty
5	980456	Cam Lock Assembly (1 per)	2
5a	580313	*Lever- Handle Locking	1
5b	503369	*Pin, Tension 5.0 x 22	1
5c	016777	*Washer- Slipper S/S	1
5d	580690	*Stud- Handle Lock, 64mm	1
5e	501793	*Nut, M8 Hex Nyloc 8mm thick	1
6	501606	Washer, Flat 8 x 19 x 1.6	2
7	581527	Retainer- Clutch Cable	1
10	031849	Handle- Lower, Reel Mower 500	1
11	501597	Screw, Set M8 x 20 Hex	4
12	501606	Washer, Flat 8 x 19 x 1.6	4
13	501793	Nut, M8 Hex Nyloc 8mm thick	4

Item	Part No	Description	Qty
1/1a	773155	Handle- Upper, UPT OPC Short	1
2	982161	Bail Arm Assy, SP	1
2a	501365	Clip- Starlock, 5/16"	2
3	031990	Cable- Clutch, Reel Mower	1
3a	503604	Screw, Pan M6 x 45	1
3b	501764	Nut, M6 Hex Nyloc x 6mm thick	1
4/4a	583458	Throttle Ctrl & Cable Wescon	1
4b	503604	*Screw, Pan M6 x 45	1
4c	501764	*Nut, M6 Nyloc x 6mm thick	1

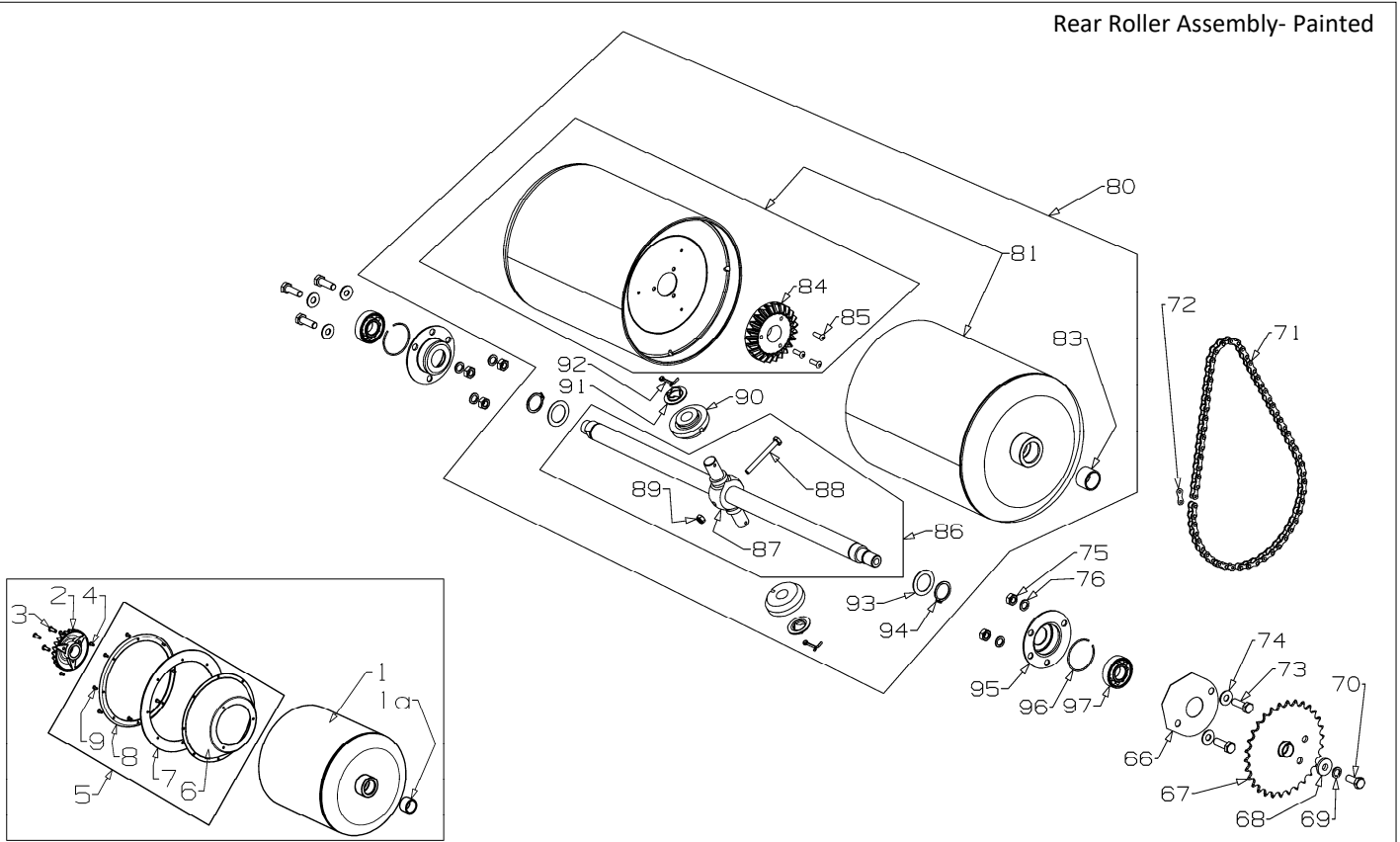
When ordering spares: PLEASE QUOTE PART NUMBER & Description, NOT illustrated number. Item Qty = 1 per part unless stated differently. **BOLD TEXT** = Assemblies. Text starting with * = items included in the assemblies & may not be available as a spares item. Determine the left hand or right hand sides by standing in the operating position (standing at the handle).



Item	Part No	Description	Qty	Item	Part No	Description	Qty
27	731589	Cover- Trans,500/660 GRN	1	49	500201	Washer, Spg 6	3
27a	503429	*Rivet Pop 3.2 x 4.8 73AS4-3	4	50	503223	Screw, Set M6 x 16 HT8.8	3
27b	031907	*Cover Trans Moulded	1	51	031831	Lever- Clutch	1
28	503591	Screw, Set M6 x 12	4	52	031845	Spring- Clutch	1
29	501703	Washer, Flat 6 x 14 x 1.2	4	53	031830	Lever Carrier- Clutch	1
30	031958	Spacer- Drive Shaft, 13mm	1	53a	501764	Nut, M6 Hex Nyloc x 6mm thick	1
31	032240	Clutch- Drive Assy V2	1	53b	503591	Screw- Pan M6 x 12	1
32	*005634	Clutch Spring	3	54	031843	Washer. Flat 16.5 x 75 x 3.0	1
33	032241	Boss- Clutch, 19 Dia (536012 Key)	1	55	031840	Post- Clutch	1
33	032242	Boss- Clutch, 20 Dia (536178 Key)	1	56	031988	Sprocket-11T, Clutch Disk	1
34	501719	Screw, Grub M6 x 8	2	56a	031986	*Sprocket- Clutch Plate Assy	1
35	536178	Key- Cutter 3/16" square x 24	1	56b	031987	*Liner- Clutch Face Cork	1
35	536012	Key- Engine 3/16" square x 38	1	57	031963	Sprocket- 42T, Plate & Boss Assy	1
36	501213	Bearing, Ball 12x32x10 6201 2RS	1	58	503901	Bearing, Ball 12x28x8 6001 2RSH	1
37	032236	Drum Assy, Clutch 500/660	17	59	031965	Washer- Centralizing Brass	1
38	503747	Washer, Spg 8	3	60	503938	Bolt, M8 x 120 Hex	1
39	002834	Housing- Bearing	1	61	501764	Nut, M6 Hex Nyloc x 6mm thick	1
40	503273	Bearing-Ball 17x40x12 6203 2S	1	62	580160	Screw, Set M6 x 50 Hex	1
41	002818	Sprocket- 11T, Drive	1	63	031842	Washer, Thrust	1
42	501715	Screw, Set M8 x 15 x 1mm Pitch	1	64	501793	Nut, M8 Hex Nyloc x 8mm thick	1
43	503747	Washer, Spg 8	1	76	031585	Cover - Chain Case, Green	1
44	501606	Washer, Flat 8 x 18 x 1.6	1	77	501606	Washer, Flat 8 x 19 x 1.6	1
45	501597	Screw, Set M8 x 20 Hex	3	78	503747	Washer, Spg 8	1
46	501602	Nut, M8 Hex	3	79	501863	Screw Set, M8 x 12	1
47	006028	Washer, Flat 12 x 22 x 3.0	2				
48	501703	Washer, Flat 6 x 14 x 1.2	3				

When ordering spares: PLEASE QUOTE PART NUMBER & Description, NOT illustrated number. Item Qty = 1 per part unless stated differently. **BOLD TEXT** = Assemblies. Text starting with * = items included in the assemblies & may not be available as a spares item. Determine the left hand or right hand sides by standing in the operating position (standing at the handle).

Rear Roller Assembly- Painted



Item	Part No	Description	Qty	Item	Part No	Description	Qty
66	002618	Plate- Seal, Bearing	1	90	*002708	Pinion-Bevel, 14T	2
67 A	002604	Sprocket & Boss Assy, Rear Roller	1	91	*008944	Collar	2
67 B	032188	Sprocket & Boss Assy, Rear Roller	1	92	*007473	Split Pin, 3.0dia x 30	2
68	503872	Washer, Flat 8 x 20 x 3.0	1	93	*002732	Washer-Flat, 22 x 40 x 2	2
69	503747	Washer, Spg 8	1	94	*007260	Circlip- 7/8" ext	2
70	501717	Screw, Set M8 x 20 x 1mm Pitch	1	95	000409	Housing-Bearing	2
71 A	004929	Chain, 3/16" x 1/2, 40P	1	96	004292	Ring- Bearing Housing	2
72	*731971	Link, Chain 1/2	1	97	503273	Bearing-Ball 17x40x12 6203 2S	2
71 B	032186	Chain, 3/16" x 1/2, 42P	1	031919 Roller- Rear, Half LH 500 Black			
72	*731971	Link, Chain 1/2	1	1	002701	Roller- Rear, Half 500 Plain	1
73	501597	Screw, Set M8 x 20	5	1a	007616	Bush- Rear Roller	1
74	501606	Washer, Flat 8 x 19 x 1.6	5	2	002707	Gear- Bevel, 24T	1
75	501602	Nut, M8 Hex	5	3	503399	Rivet- Pop 4.8 x 12.7 73SS6-8	3
76	503747	Washer, Spg 8	5	4	503429	Rivet- Pop 3.2 x 4.8 73AS4-3	3
80	031918	Roller- Rear, Assemble (Black)	1	5	002714	Rear Roller Seal Assembly	1
81	*031955	Roller- Rear, Half (Painted)	2	6	004845	*Carrier- Seal, Rear Roller	1
83	*007616	*Bush- Rear Roller	1	7	004847	*Seal- Rear Roller	1
84	*002707	*Gear-Bevel, 24t	1	8	004846	*Ring- Support, Rear Roller	1
85	*503399	*Rivet-Pop, 4.8 x 13 73 SS 6-8	3	9	503429	*Rivet- Pop 3.2 x 4.8 73AS4-3	8
86	*008947	Spindle-Rear Roller 500	1				
87	*008943	*Carrier- Bevel Pinion	1				
88	*567292	*Bolt-Hex M6 x 55 HT 8.8	1				
89	*501764	*Nut, M6 Hex Nyloc x 6mm thick	1				

When ordering spares: PLEASE QUOTE PART NUMBER & Description, NOT illustrated number. Item Qty = 1 per part unless stated differently. **BOLD TEXT** = Assemblies. Text starting with * = items included in the assemblies & may not be available as a spares item. Determine the left hand or right hand sides by standing in the operating position (standing at the handle).