

# Masport®

## OLYMPIC CYLINDER MOWERS

### 500 SERIES

Mower	Model	Spec	Engine	Shaft Dia	Start Year	From Serial #
019052	500 - PRR	"A" Golf	Intek 60IC	19	Dec 2010	7353383
019111	500 - PRR	"B" Golf	B&S 163cc	19	Sep 2015	7923048



Photo shows 019052



Photo shows 019111

Spares Version

Issue C.6  
Oct 2023 PB  
ECN # 04490  
IPL Ref # 719052

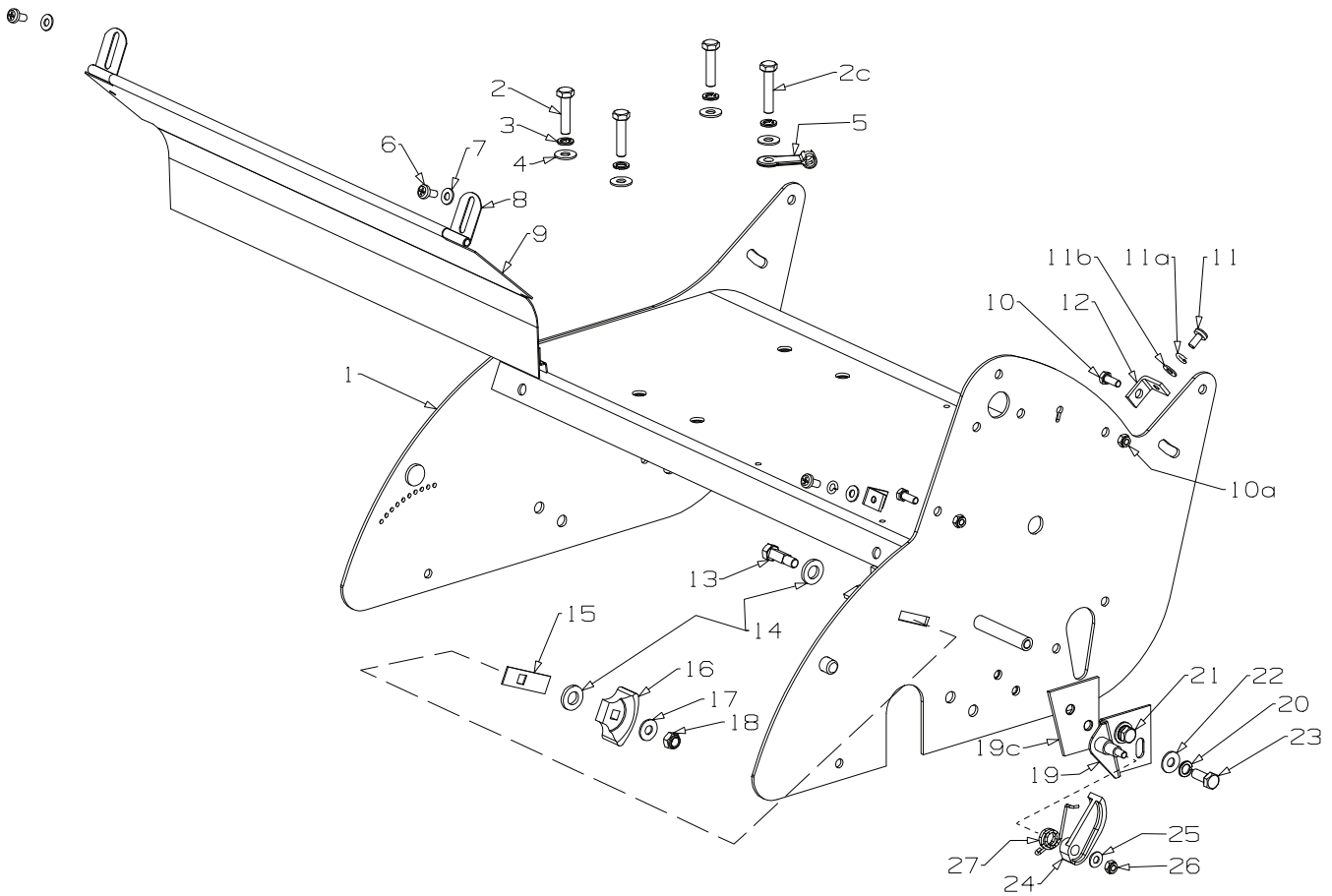
Not Illustrated		
031888	Decal, Caution S/N & dB 500	1
031891	Decal, Trans Cover 5/660	1
031894	Decal, G/Catcher 500	1
031900	Decal, Caution, Feet & Hands	1
031992	Owner Manual, Reel Mower	1
537967	Washer-Rear Axle (If required)	3

731969 Catcher Assembly- 500, R/M Green

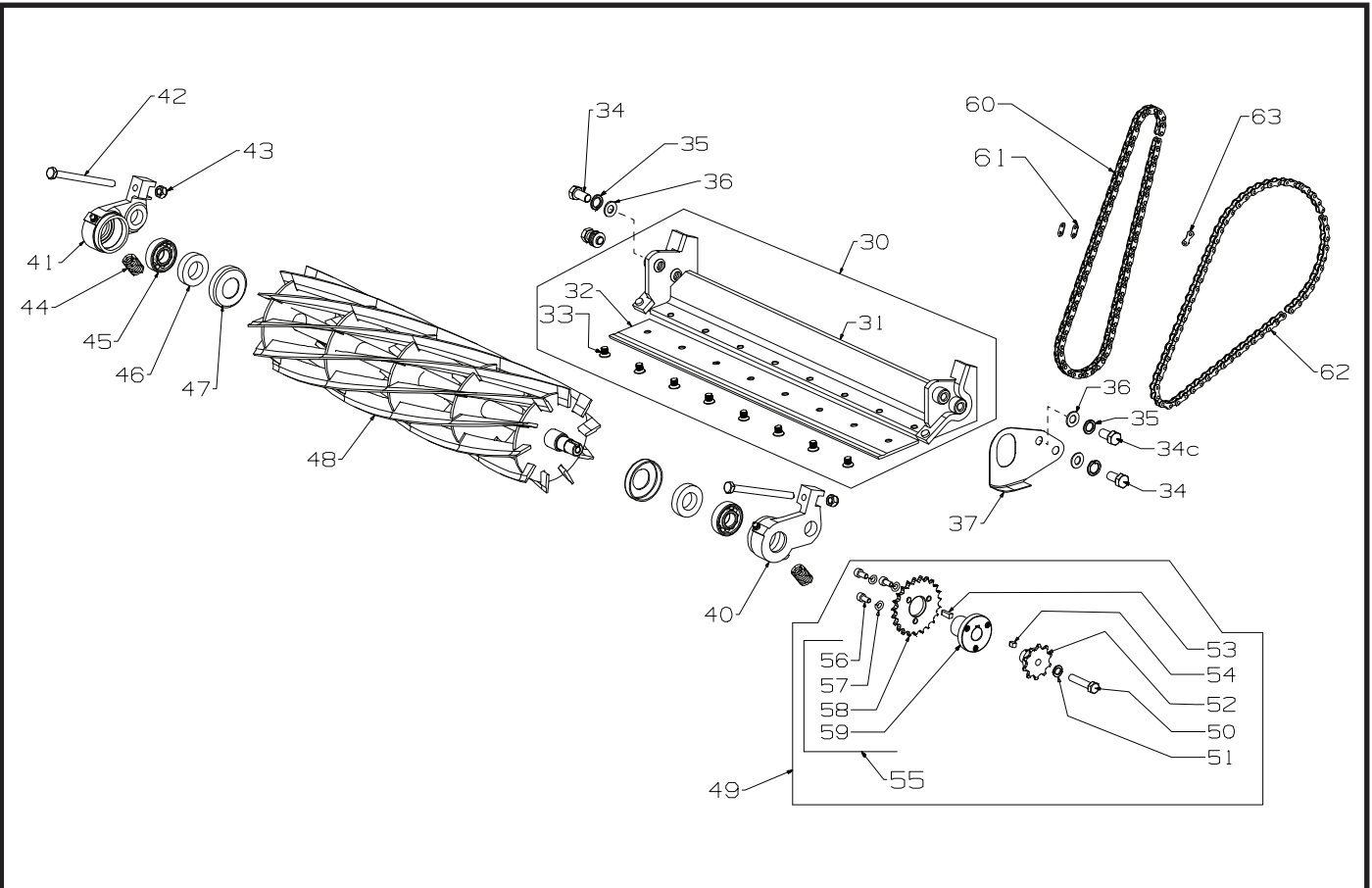


### Spares Option

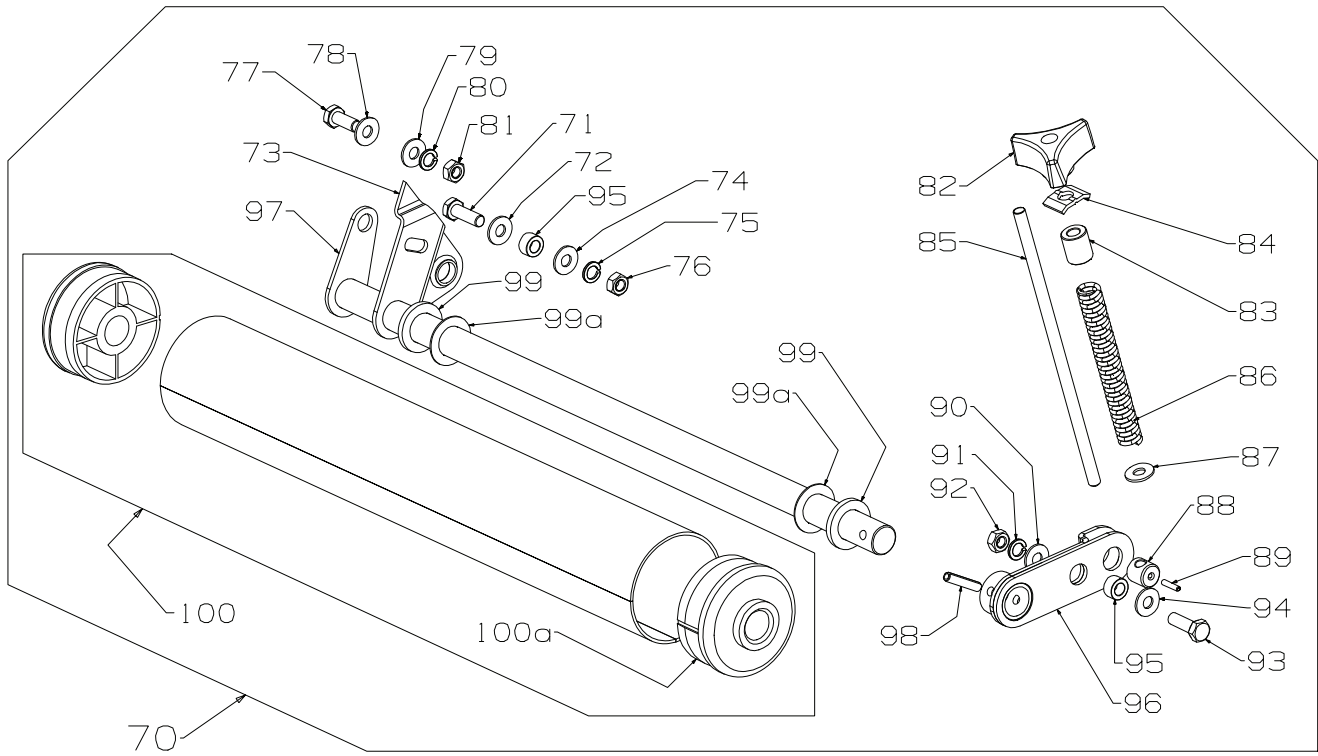
732181	R/Mower- Slow Down Kit	1 Converts from A to B
732226	R/Mower- Speed Up Kit	1 Converts from B to A



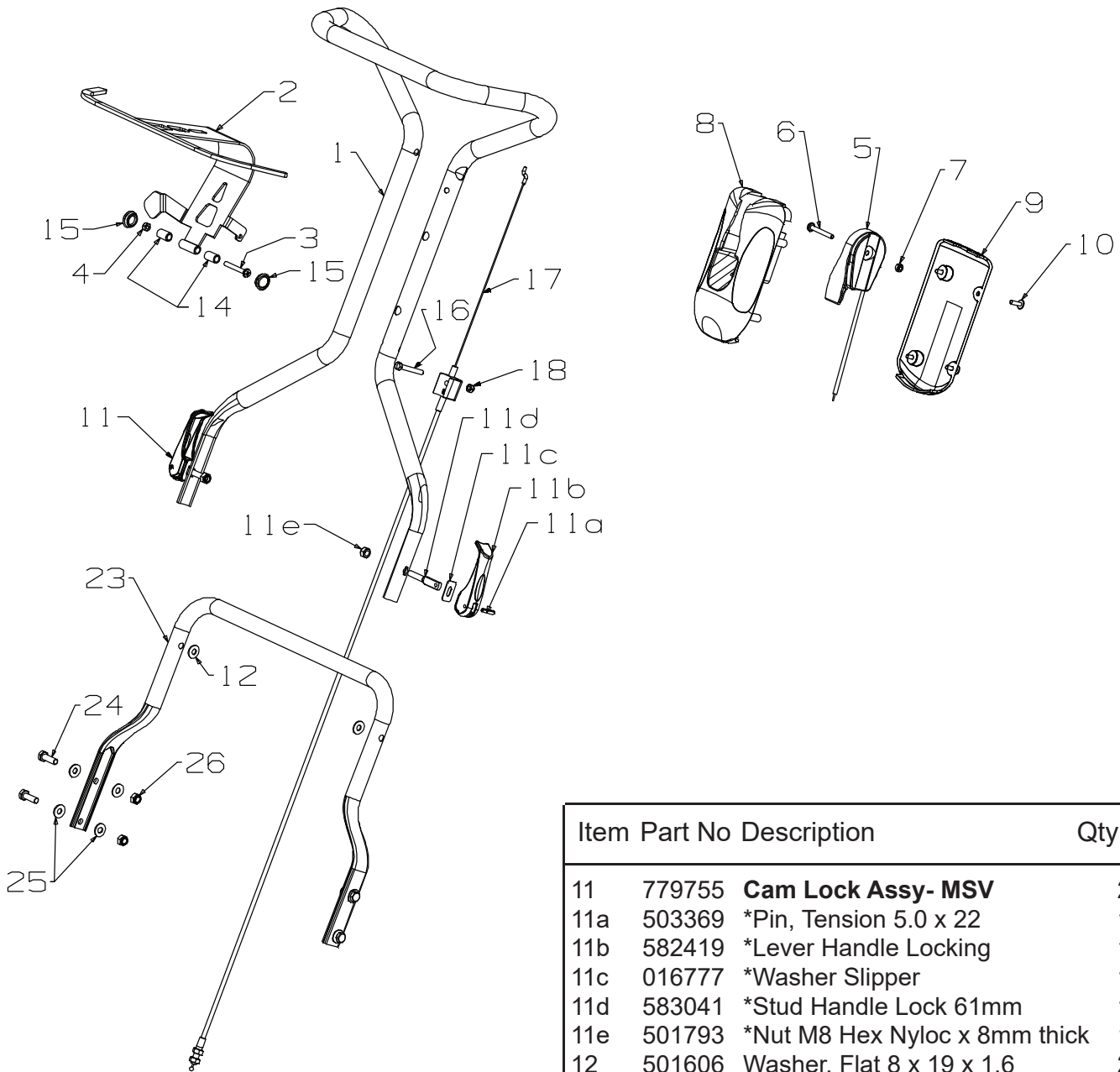
Item	Part No	Description	Qty	Item	Part No	Description	Qty
1	031590	Chassis Assy- 500 Green	1	14	006028	Washer, Flat 12 x 22 x 3.0	2
2	501716	Set Screw, M8 x 35 Hex HT	3	15	002845	Seal plate- Chain Adjuster	1
2c	501843	Set Screw, M8 x 40 Hex	1	16	002844	Adjuster- Chain, Fixed Nylon	1
3	503747	Washer, Spg 8	4	17	501606	Washer, Flat 8 x 19 x 1.6	1
4	501606	Washer, Flat 8 x 19 x 1.6	4	18	501793	Nut, M8 Hex Nyloc x 8mm thick	1
5	581527	Retainer, Clutch Cable	1	19	004942	Plate Assy, Mounting	1
6	503591	Screw, Pan M6 x 12	2	19c	032250	Plate- Spacer, Chain Align	1
7	501703	Washer, Flat 6 x 14 x 1.2	2	20	503747	Washer Spg 8	2
8	002589	Bracket, Grass Chute	2	21	501597	Set Screw, M8 x 20 Hex	1
9	008901	Deflector, Grass- 500	1	22	501606	Washer, Flat 8 x 19 x 1.6	2
10	501702	Set Screw, M6 x 16 Hex	2	23	501597	Set Screw, M8 x 20 Hex	1
10a	501764	Nut, M6 Hex Nyloc x 6mm thick	2	24	004963	Adjuster- Chain, Tension Nylon	1
11	503591	Screw, Pan M6 x 12	2	25	501703	Washer, Flat 6 x 14 x 1.2	1
11a	500201	Washer, Spg 6	2	26	501764	Nut, M6 Hex Nyloc x 6mm thick	1
11b	501703	Washer, Flat 6 x 14 x 1.2	2	27	004945	Spring	1
12	031915	Bracket- Chain Cover	2				
13	002848	Bolt- Adjuster, Chain	1				



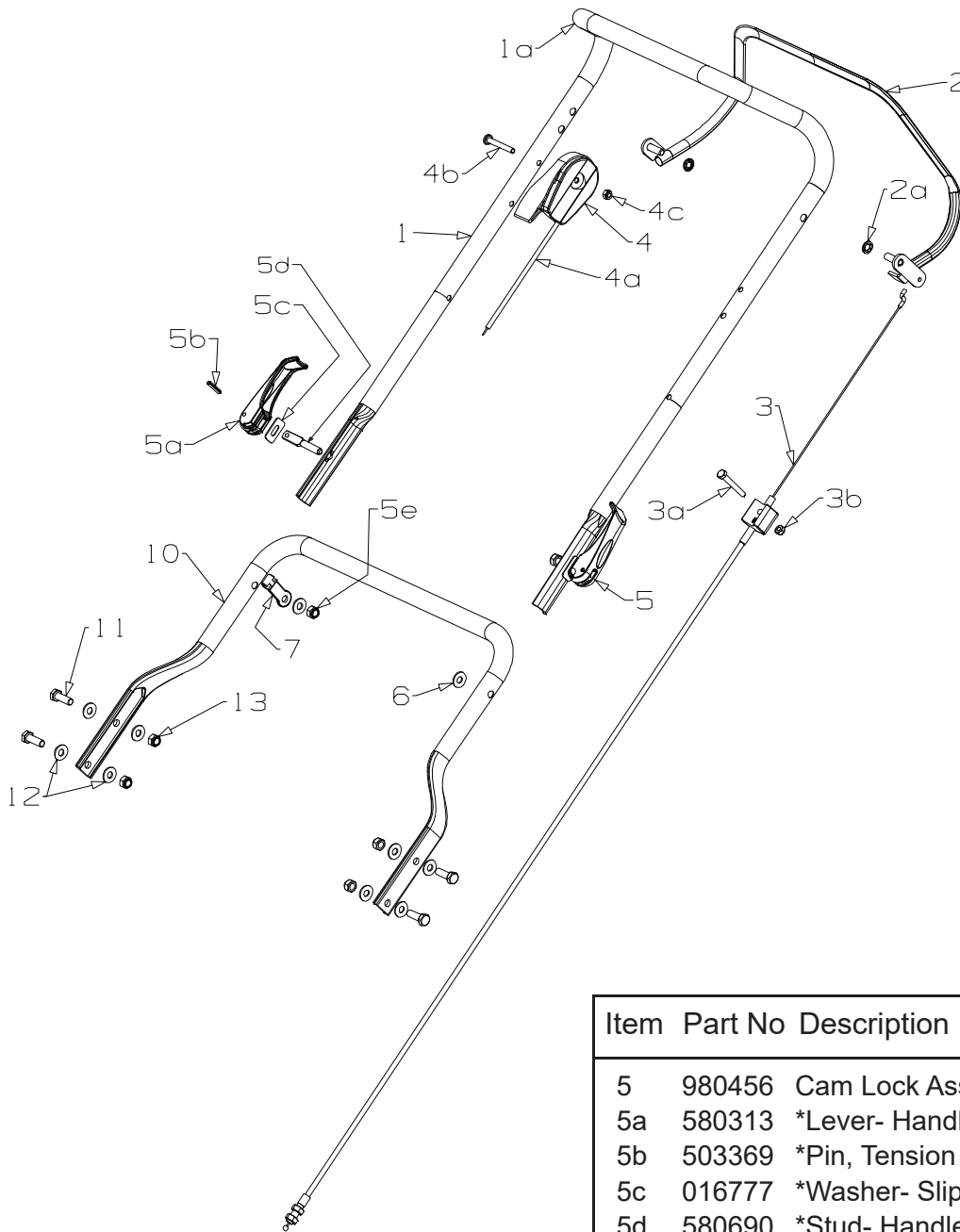
Item	Part No	Description	Qty	Item	Part No	Description	Qty
30	032035	Back Plate Brkt, Blade Assy 500G (includes items,31,32,33)	1	50	*301345	Set Screw, M8 x 45HT	1
31	*009862	Bracket Assy Back plate 500	1	51	*503747	Washer Spg 8	1
32	*032021	Blade, Baseplate 500	1	52	*032002	Sprocket 10T	1
33	*008611	Screw, CSK M8 x 10 Allen Head	8	53	*032005	Key 5 x 5 x 16	1
34	501760	Set Screw, M10 x 20 Hex	3	54	*032004	Key 5 x 5 x 10	1
34c A	501760	Set Screw, M10 x 20 Hex	1	55 A	*032045	Sprocket Assy - 23 Key (includes items 56,57,58A and 59)	1
34c B	502207	Set Screw, M10 x 20 (Short Head)	1	55 B	*032222	Sprocket Assy - 26 Key (includes items 56,57,58B and 59)	1
35	503897	Washer, Spg 10	4	56	*502004	Screw, Cap M6 x 12	3
36	501704	Washer, Flt 10 x 19 x 1.6	4	57	*500201	Washer, Spg 6	3
37	002561	Plate- Seal, Chain case	1	58 A	*032003	Sprocket 23T	1
40	032023	Housing- Assy Bearing, LH	1	58 B	*032174	Sprocket 26T	1
41	032024	Housing- Assy Bearing, RH	1	59	*032001	Boss Sprocket Key	1
42	006282	Bolt, Set NF 5/16"x4" Hex	2	60 A	002835	Chain- 0.23xP 3/8", 75P	1
43	007240	Nut, NF 5/16 Hex Nyloc Type "P"	2	61	*731972	Link- Chain 3/8"	1
44	002581	Spring- Baseplate	2	60 B	032187	Chain- 0.23xP 3/8", 77P	1
45	503273	Bearing, Ball 17x40x12 6203 2S	2	61	*731972	Link- Chain 3/8"	1
46	002583	Seal- Felt	2	62	004299	Chain- 0.205x P 1/2", 59P	1
47	005211	Cover- Dust, Cylinder Bearing	2	63	*731971	Link- Chain 1/2"	1
48	032018	Cylinder Assy- Cut, Key, 500, Golf	1				
49 A	032006	Sprocket Assy-10/23 (includes items 50,51,52,53,54 and 55A)	1				
49 B	032223	Sprocket Assy-10/23 (includes items 50,51,52,53,54 and 55B)	1				



Item	Part No	Description	Qty	Item	Part No	Description	Qty
70	032026	<b>Spindle &amp; Brkt Assy Golf 500</b>	1	91	503747	*Washer, Spg 8	1
71	501598	*Set Screw, M8 x 25 Hex	1	92	501602	*Nut, M8 Hex	1
72	501606	*Washer, Flat 8 x 19 x 1.6	1	93	501598	*Set Screw, M8 x 25 Hex	1
73	004983	*Bracket- Front Roller, RH	1	94	501606	*Washer, Flat 8 x 19 x 1.6	1
74	501606	*Washer, Flat 8 x 19 x 1.6	1	95	004991	*Bush- Pivot, Front Roller	2
75	503747	*Washer, Spg 8	1	96	004984	*Bracket Assy- Adj, Front Roller	1
76	501602	*Nut, M8 Hex	1	97	004977	*Spindle Assy Front 500	1
77	501597	*Set Screw, M8 x 20 Hex	1	98	007496	*Pin, Tension 6.0 x 30	1
78	501606	*Washer, Flat 8 x 19 x 1.6	1	99	501432	*Washer, Flat 20 x 33 x 4.0	2
79	501606	*Washer, Flat 8 x 19 x 1.6	1	99a	537967	*Washer, Flat 20 x 33 x 1.0	2
80	503747	*Washer, Spg 8	1	100	032029	*Roller Assy-Front, 500 Golf	1
81	501602	*Nut, M8 Hex	1	100a	005478	**Cap- End 72.3	2
82	574230	*Knob- Plastic, M8 Insert	1				
83	031910	*Spacer- Knob	1				
84	004973	*Plate Slipper	1				
85	004988	*Spindle- Adj, Front Roller	1				
86	004691	*Spring- Height Adjust	1				
87	501606	*Washer, Flat 8 x 19 x 1.6	1				
88	004990	*Spindle, Trunnion	1				
89	032087	*Pin, Tension 3.0 x 16	1				
90	501606	*Washer, Flat 8 x 19 x 1.6	1				



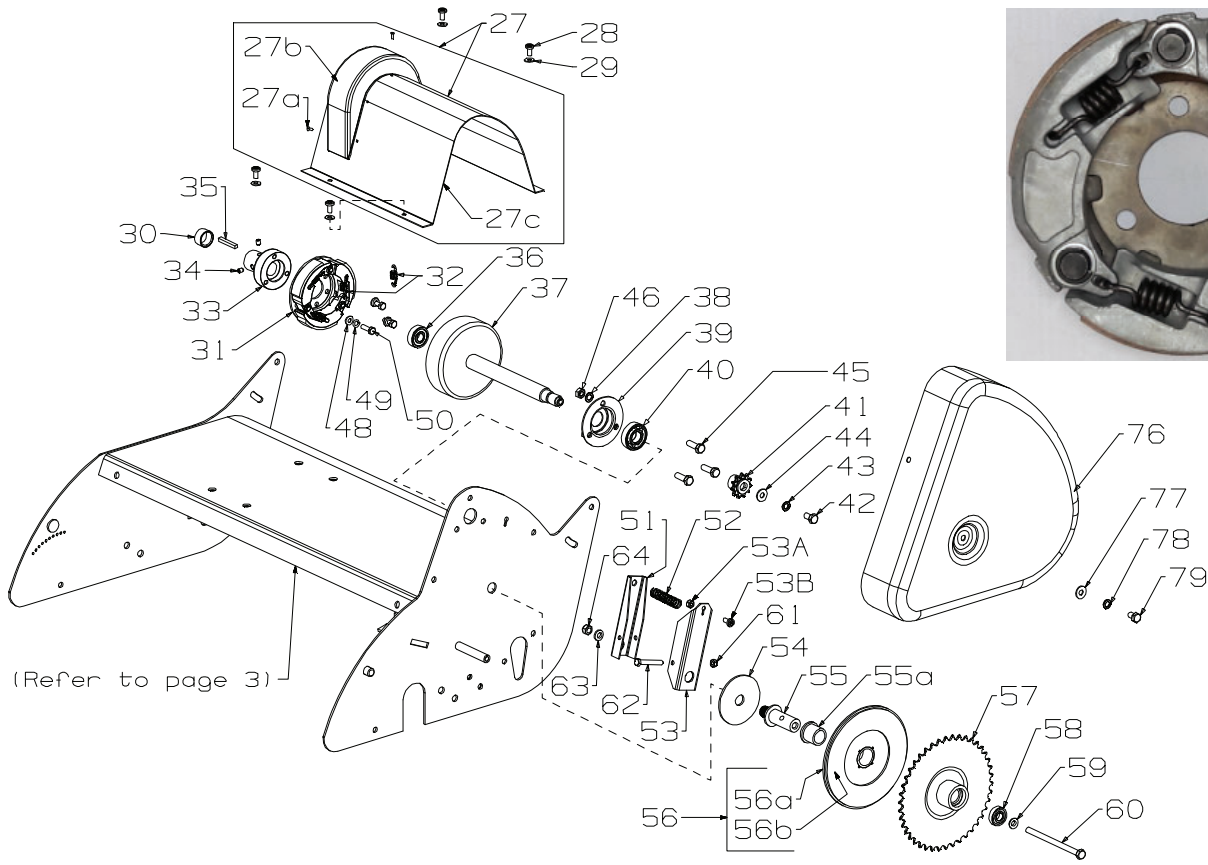
Item	Part No	Description	Qty
1	731847	Handle & Sleeve R/MWR	1
2	979279	Bail Arm Assy, SP MSV Red	1
3	503883	Bolt Hex M8 x 100	1
4	501793	Nut, M8 Hex Nyloc x 8mm thick	1
5	583458	<b>Throttle Ctrl &amp; Cable, Wescon</b>	1
6	503604	*Screw, Pan M6x45	1
7	501764	*Nut, M6 Hex Nyloc x 6 thick	1
8	983351	Mount Throttle, Top Plain MSV	1
9	583340	Cover Throttle Bottom	1
10	503650	Screw; S/T #12x11/16"	4
11	779755	<b>Cam Lock Assy- MSV</b>	2
11a	503369	*Pin, Tension 5.0 x 22	1
11b	582419	*Lever Handle Locking	1
11c	016777	*Washer Slipper	1
11d	583041	*Stud Handle Lock 61mm	1
11e	501793	*Nut M8 Hex Nyloc x 8mm thick	1
12	501606	Washer, Flat 8 x 19 x 1.6	2
14	583504	Pivot- Bail Arm	2
15	503882	Grommet Blanking 3/4"(19mm)	2
16	580160	Screw-Set, M6 x 50	1
17	031990	Cable-Clutch, Reel Mower	1
18	501764	Nut, M6 Hex Nyloc x 6 thick	1
23	031849	Handle- Lower, 500	1
24	501597	Screw, Set M8 x 20	4
25	501606	Washer, Flat 8 x 19 x 1.6	8
26	501793	Nut, M8 Nyloc x 8mm thick	4



Item	Part No	Description	Qty
1/1a	773155	Handle- Upper, UPT OPC Short	1
2	982161	Bail Arm Assy, SP	1
2a	501365	Clip- Starlock, 5/16"	2
3	031990	Cable- Clutch, Reel Mower	1
3a	503604	Screw, Pan M6 x 45	1
3b	501764	Nut, M6 Hex Nyloc x 6mm thick	1
4/4a	583458	Throttle Ctrl & Cable Wescon	1
4b	503604	*Screw, Pan M6 x 45	1
4c	501764	*Nut, M6 Nyloc x 6mm thick	1

Item	Part No	Description	Qty
5	980456	Cam Lock Assembly (1 per)	2
5a	580313	*Lever- Handle Locking	1
5b	503369	*Pin, Tension 5.0 x 22	1
5c	016777	*Washer- Slipper S/S	1
5d	580690	*Stud- Handle Lock, 64mm	1
5e	501793	*Nut, M8 Hex Nyloc 8mm thick	1
6	501606	Washer, Flat 8 x 19 x 1.6	2
7	581527	Retainer- Clutch Cable	1
10	031849	Handle- Lower, Reel Mower 500	1
11	501597	Screw, Set M8 x 20 Hex	4
12	501606	Washer, Flat 8 x 19 x 1.6	4
13	501793	Nut, M8 Hex Nyloc 8mm thick	4

## Clutch Assembly 032240

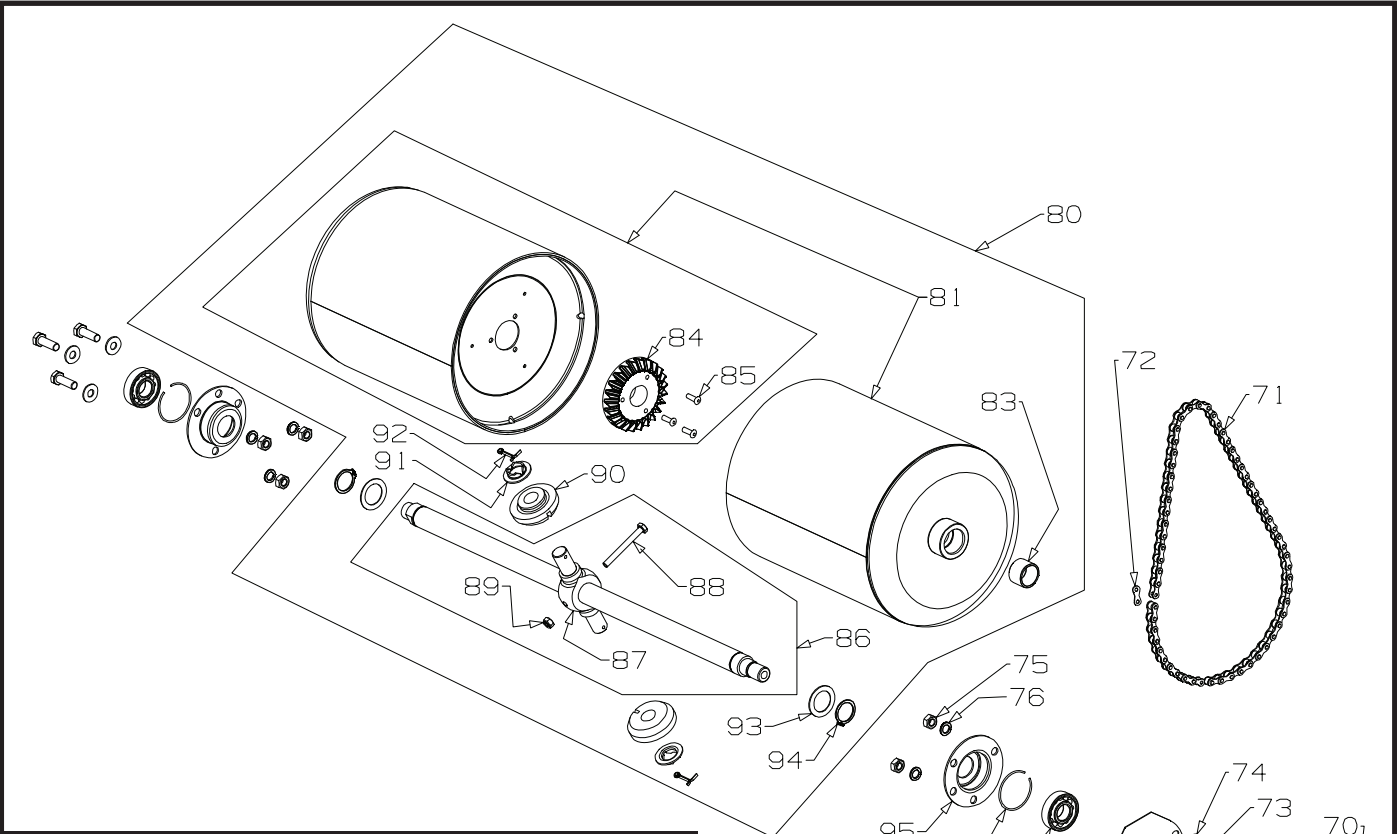


(Refer to page 3)

Item	Part No	Description	Qty	Item	Part No	Description	Qty
27	731589	<b>Cover- Trans,500/660 GRN</b>	1	50	503223	Screw, Set M6 x 16 HT8.8	3
27a	503429	*Rivet Pop 3.2 x 4.8 73AS4-3	4	51	031831	Lever- Clutch	1
27b	031907	*Cover Trans Moulded- Green	1	52	031845	Spring- Clutch	1
27c	031589	*Cover- Trans, 500/660 Green	1	53	031830	Lever Carrier- Clutch	1
28	503591	Screw, Set M6 x 12	4	53a	501764	Nut, M6 Hex Nyloc x 6mm thick	1
29	501703	Washer, Flat 6 x 14 x 1.2	4	53b	503591	Screw- Pan M6 x 12	1
30	031958	Spacer- Drive Shaft, 13mm	1	54	031843	Washer. Flat 16.5 x 75 x 3.0	1
31	032240	<b>Clutch- Drive Assy V2</b>	1	55	031840	Post- Clutch	1
32	*005634	Clutch Spring	3	55a	031833	Bush- Back Plate	1
33	032241	Boss- Clutch, 19 Dia (536012 Key)	1	56	031988	<b>Sprocket-11T, Clutch Disk</b>	1
33	032242	Boss- Clutch, 20 Dia (536178 Key)	1	56a	031986	*Sprocket- Clutch Plate Assy	1
34	501719	Screw, Grub M6 x 8	2	56b	031987	*Liner- Clutch Face Cork	1
35	536178	Key- Cutter 3/16" square x 24	1	57	031963	Sprocket- 42T, Plate & Boss Assy	1
35	536012	Key- Engine 3/16" square x 38	1	58	503901	Bearing, Ball 12x28x8 6001 2RSH	1
36	501213	Bearing, Ball 12x32x10 6201 2RS	1	59	031965	Washer- Centralizing Brass	1
37	032260	Drum Assy, Clutch 500/660 23	1	60	503938	Bolt, M8 x 120 Hex	1
38	503747	Washer, Spg 8	3	61	501764	Nut, M6 Hex Nyloc x 6mm thick	1
39	002834	Housing- Bearing	1	62	580160	Screw, Set M6 x 50 Hex	1
40	503273	Bearing-Ball 17x40x12 6203 2S	1	63	031842	Washer, Thrust	1
41	002818	Sprocket- 11T, Drive	1	64	501793	Nut, M8 Hex Nyloc x 8mm thick	1
42	501715	Screw, Set M8 x 15 x 1mm Pitch	1	76	031585	Cover - Chain Case, Green	1
43	503747	Washer, Spg 8	1	77	501606	Washer, Flat 8 x 19 x 1.6	1
44	501606	Washer, Flat 8 x 18 x 1.6	1	78	503747	Washer, Spg 8	1
45	501597	Screw, Set M8 x 20 Hex	3	79	501863	Screw Set, M8 x 12	1
46	501602	Nut, M8 Hex	3				
48	501703	Washer, Flat 6 x 14 x 1.2	3				
49	500201	Washer, Spg 6	3				

When ordering spares: PLEASE QUOTE PART NUMBER & DESCRIPTION, NOT illustrated number. Item Qty = 1 per part unless stated differently.  
**BOLD TEXT** = Assemblies. Descriptions starting with \* = items included in the assemblies & may not be available as a spares item.  
 Determine the left or right hand sides by standing in the operating position (standing at the handle).





Item	Part No	Description	Qty
66	002618	Plate- Seal, Bearing	1
67 A	002604	Sprocket & Boss Assy, Rear Roller	1
67 B	032188	Sprocket & Boss Assy, Rear Roller	1
68	503872	Washer, Flat 8 x 20 x 3.0	1
69	503747	Washer, Spg 8	1
70	501717	Screw, Set M8 x 20 x 1mm Pitch	1
71 A	004929	<b>Chain, 3/16" x 1/2, 40P</b>	1
72	*731971	Link, Chain 1/2	1
71 B	032186	<b>Chain, 3/16" x 1/2, 42P</b>	1
72	*731971	Link, Chain 1/2	1
73	501597	Screw, Set M8 x 20	5
74	501606	Washer, Flat 8 x 19 x 1.6	5
75	501602	Nut, M8 Hex	5
76	503747	Washer, Spg 8	5
80	031918	<b>Roller- Rear, Assemble (Black)</b>	1
81	*031955	<b>Roller- Rear, Half (Painted)</b>	2
83	*007616	*Bush- Rear Roller	1
84	*002707	*Gear-Bevel, 24t	1
85	*503399	*Rivet-Pop, 4.8 x 13 73 SS 6-8	3
86	*008947	<b>Spindle-Rear Roller 500</b>	1
87	*008943	*Carrier- Bevel Pinion	1
88	*567292	*Bolt-Hex M6 x 55 HT 8.8	1
89	*501764	*Nut, M6 Hex Nyloc x 6mm thick	1
90	*002708	Pinion-Bevel, 14T	2
91	*008944	Collar	2
92	*007473	Split Pin, 3.0dia x 30	2
93	*002732	Washer-Flat, 22 x 40 x 2	2
94	*007260	Circlip- 7/8" ext	2
95	000409	Housing-Bearing	2
96	004292	Ring- Bearing Housing	2
97	503273	Bearing-Ball 17x40x12 6203 2S	2

**031919 Roller- Rear, Half LH 500 Black**

1	002701	Roller- Rear, Half 500 Plain	1
1a	007616	Bush- Rear Roller	1
2	002707	Gear- Bevel, 24T	1
3	503399	Rivet- Pop 4.8 x 12.7 73SS6-8	3
4	503429	Rivet- Pop 3.2 x 4.8 73AS4-3	3
5	002714	<b>Rear Roller Seal Assembly</b>	1
6	004845	*Carrier- Seal, Rear Roller	1
7	004847	*Seal- Rear Roller	1
8	004846	*Ring- Support, Rear Roller	1
9	503429	*Rivet- Pop 3.2 x 4.8 73AS4-3	8

