

Masport®

DOMESTIC ROTARY MOWERS

SERIES 16

Part Number
565859

Model
60V 0.75kW 5AH

Motor
968766

Month and Year of First Manufacture: May 2021
From Serial Number: 8592232



Spares Version

Issue A.0
July 2021 PB
ECN # 04345
IPL Ref # 765859

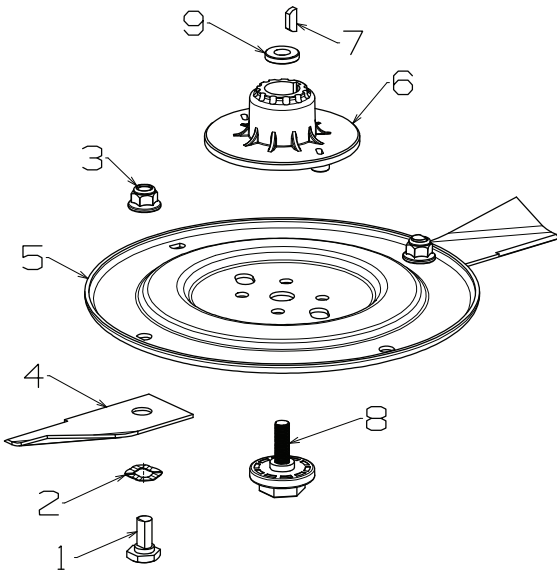


565859 Ser 16 Stl
0.75kW 60V 5AH
Spares Version



Issue A.0
July 2021 PB
ECN # 04345
IPL Ref # 765859

420mm Disc Blade (Flat)

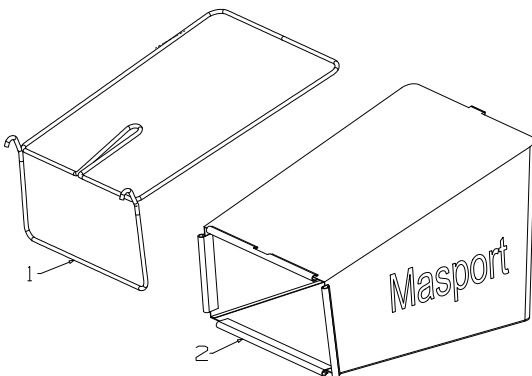


Item	Part No	Description	Qty
1	581707	Bolt- Pivot M10 x 22	2
2	580693	Washer, Wavy 13.4 x 24.2	2
3	503672	Nut, M10 Hex Nyloc Flange	2
4	574699	Blade- Swing Back, 420/460mm	2
5	564504	Disc Blade- Flat, 16"	1
6	565437	Driver- Blade, 22mm Nylon	1
7	500636	Key, Woodruff, 5/8 x 5/32 x 1/4	1
8	565438	Bolt; Hex NF 3/8 x 1.5 Insulate	1
9	573585	Spacer- Blade Driver 22 x 4	1

Blade & Bolt Sets (2 per 16")

- 783690 Bolt Set,
Inc Items 2 x 1, 2 & 3
- 774699 Blade- Swing Back, ELI (2per)
Includes Items: 2 x 1,2,3,4

774323 Fabric Catcher Assembly 16"



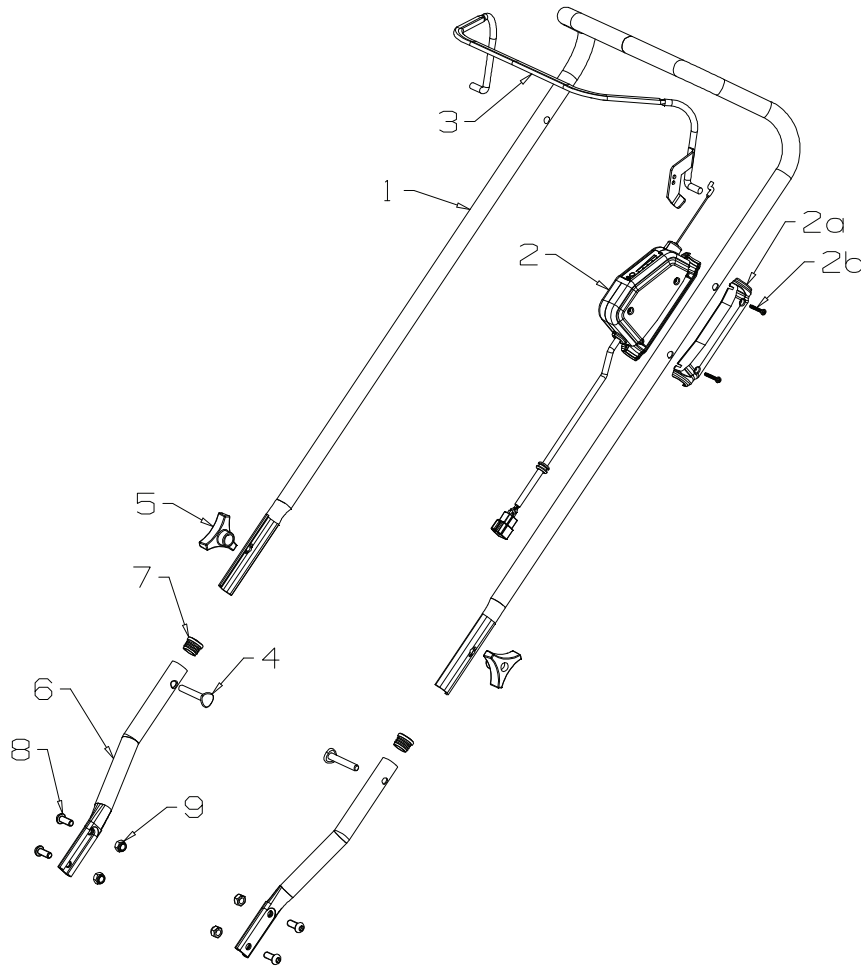
Item	Part No	Description	Qty
1	564496	Frame Assy- Catcher Fabric 16"	1
2	574323	Bag Assy- Catcher, 16" Masport	1



565859 Ser 16 Stl
0.75kW 60V 5AH
Spares Version

Masport®

Issue A.0
July 2021 PB
ECN # 04345
IPL Ref # 765859



Item	Part No	Description	Qty	Not Illustrated	
1	774886	Handle & Sleeve Batt SFT/BLK	1	503054	Tie- Nylon Cable, Black 2
2	774786	Switch- Eng, Assy Battery 58v	1	568757	Decal, Noise Masp 60V .75kW 1
2a	574795	*Cover- Switch OPC, Clamp LH	1	568758	Decal, HSG Aero Core 1
2b	502282	*Screw, S/T 4 x 25 POZ	2	568759	Owner Manual- Masport, Battery 1
3	981740	Bail Arm Assy, OPC	1	574696	Decal, HSG- Side B/Powered 1
4/5	774230	Knob Lock Assembly (2 per)	1	582049	Decal, Flap Caution 1
4	574218	*Bolt, SPH M8 x 53 x 35	2	974554	Key- Safety, Battery Engine, Red 1
5	574230	*Knob- Plastic, M8 Insert	2		
6	980692	Handle- Lower, Stub	2		
7	503319	Plug- 22mm Black	2		
8	502107	Screw, Set M8 x 20 Btn/Hd Blk	4		
9	501793	Nut, M8 Hex Nyloc x 8mm thick	4		

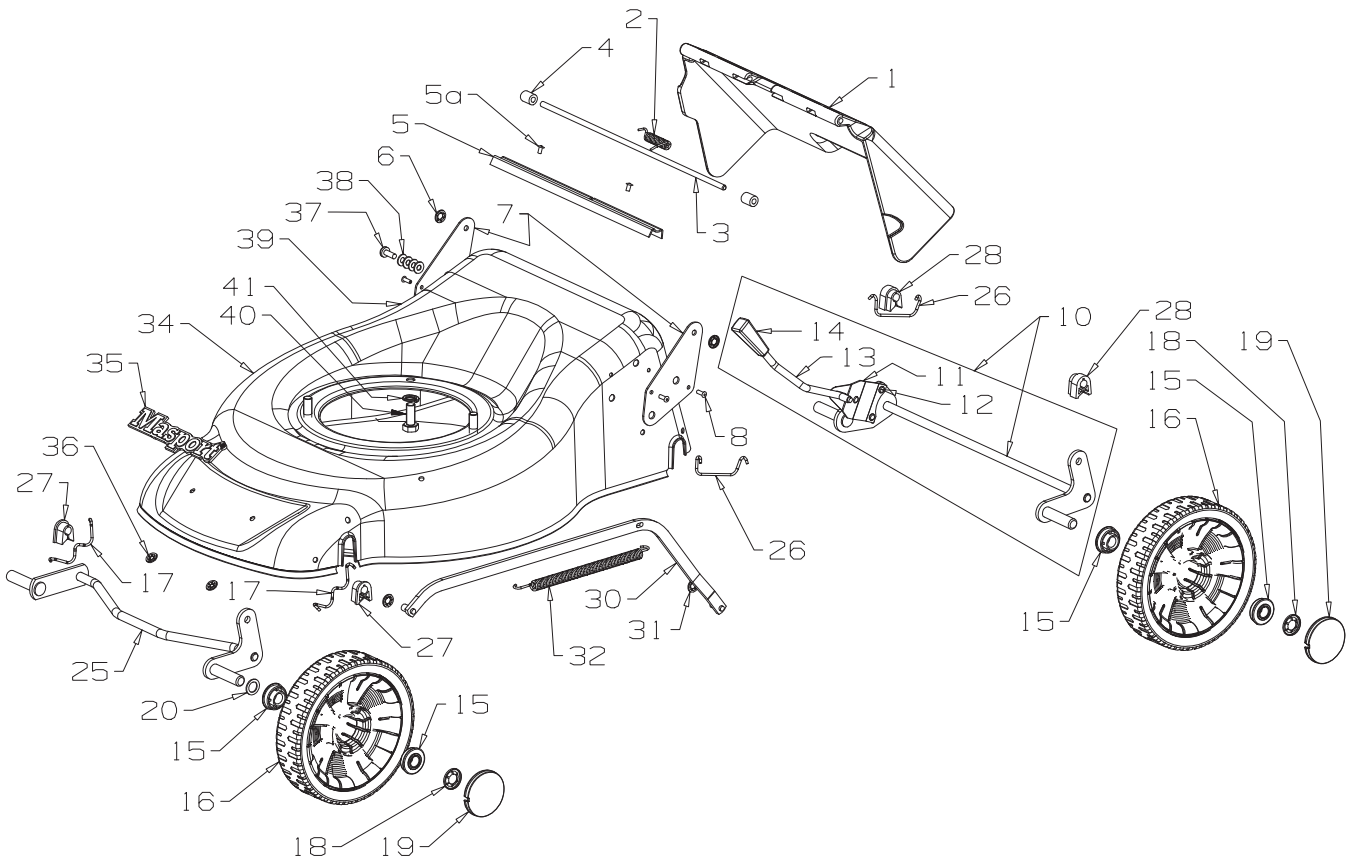
When ordering spares: PLEASE QUOTE PART NUMBER & DESCRIPTION, NOT illustrated number. Item Qty = 1 per part unless stated differently.
BOLD TEXT = Assemblies. Descriptions starting with * = items included in the assemblies & may not be available as a spares item.
 Determine the left or right hand sides by standing in the operating position (standing at the handle).



565859 Ser 16 Stl
0.75kW 60V 5AH
Spares Version

Masport®

Issue A.0
July 2021 PB
ECN # 04345
IPL Ref # 765859



Item	Part No	Description	Qty	Item	Part No	Description	Qty
1	564570	Flap- Mower, 16" Fab/Catcher Blk	1	28	564500	Bush- Pivot, Axle Rear S16	2
2	581349	Spring-Flap, 18" STL	1	30	564531	Rod Assy-Connecting, S16 x 7"W	1
3	564503	Wire-Flap Pivot 335mm x 6mm	1	31	501365	Clip-Starlock, 5/16"	2
4	579733	Spacer-Flap	2	32	573844	Spring-Counter Balance	1
5	579211	Seal- Flap, Dust Plastic 19"	1	34	764536	Hsg-Stl 16" Chisel Red	1
5a	581369	Rivet-Pop 4.0 dia x 3.2 73SS5-2	2	35	581240	*Nameplate-MASPORT	1
6	503574	Clip-Starlock, 6mm	2	36	503150	*Clip-Starlock, 5 dia	2
7	564517	Bracket- Flap S16 Fab/Catcher	2	37	503331	Screw, Pan M6 X 16	1
8	501303	Rivet-Pop 4.0 dia x 7.9 73AS5-5	4	38	501703	Washer, Flat 6 x 14 x 1.2	4
10	764664	Axle Assy-Rear,S16 7" Wheels	1	39	501764	Nut, M6 Hex (Inside housing)	1
11	580649	*Spring- Leaf	1	40	501846	Screw; Set M10 x 25HT	3
12	503373	*Rivet- F/HD 3/16 x 27/64"	3	41	503897	Washer, Spg 10	3
13	564498	*Rod- Height Selector, 16" STL	1	Spares Option			
14	580056	*Knob-Height Lever,7.9dia Sq Blk	1	564544	Insert- Mulching, 16"	1	
15	579694	Bearing- Wheel, Plastic	8	553156	Battery 5.0AH Aero Core 60V	1	
16	579495	Wheel Assy-175 Cobra Black (Includes 2 x 551212 Bearings per wheel)	4	553157	Charger- Battery, Aero Core 60V	1	
17	529674	Retainer- Axle, Front "W"	2	Not Illustrated- Refer to Motor IPL			
18	503236	Clip-Starlock,1/2"	4	968766	Motor Assy- Battery Engine, Red	1	
19	579202	Hub Cap- Button, Spoked Black	4				
20	503301	Washer, Flat 1/2 x 3/4 x 18g	1				
25	564515	Axle Assy-Front, S16 7" Wheel	1				
26	579292	Retainer-Axle, Rear, Stl Deck	2				
27	564499	Bush- Pivot, Axle Front S16	2				

When ordering spares: PLEASE QUOTE PART NUMBER & DESCRIPTION, NOT illustrated number. Item Qty = 1 per part unless stated differently.
BOLD TEXT = Assemblies. Descriptions starting with * = items included in the assemblies & may not be available as a spares item. Determine the left or right hand sides by standing in the operating position (standing at the handle). Page 4