

Masport®

DOMESTIC ROTARY MOWERS

SERIES 18

Part Number
565856

Model
60V 0.75kW 5AH

Motor
968766

Month and Year of First Manufacture: May 2021
From Serial Number: 8595670



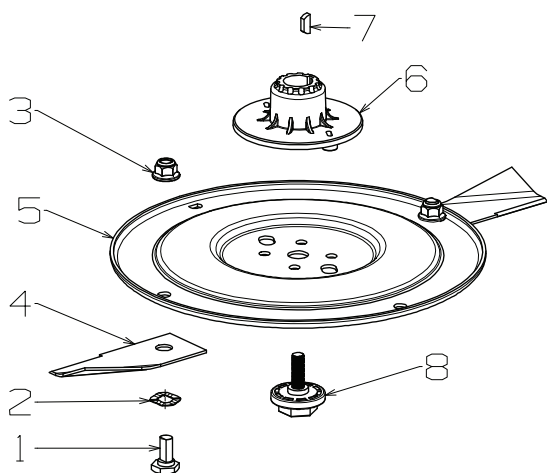


565856 Ser 18 Stl
0.75kW 60V
Spares Version

Masport®

Issue A.0
July 2021 PB
ECN # 04280
IPL Ref # 765856

460mm Disc Blade (Flat)



Item	Part No	Description	Qty
1	581707	Bolt- Pivot M10 x 22	2
2	580693	Washer, Wavy 13.4 x 24.2	2
3	503672	Nut, M10 Hex Nyloc Flange	2
4	574699	Blade- Swing Back, 420/460mm	2
5	580082	Disc Blade- Flat	1
6	565437	Driver- Blade, 22mm Nylon	1
7	500636	Key, Woodruff, 5/8 x 5/32 x 1/4	1
8	565438	Bolt; Hex NF 3/8 x 1.5 Insulate	1

Blade & Bolt Sets

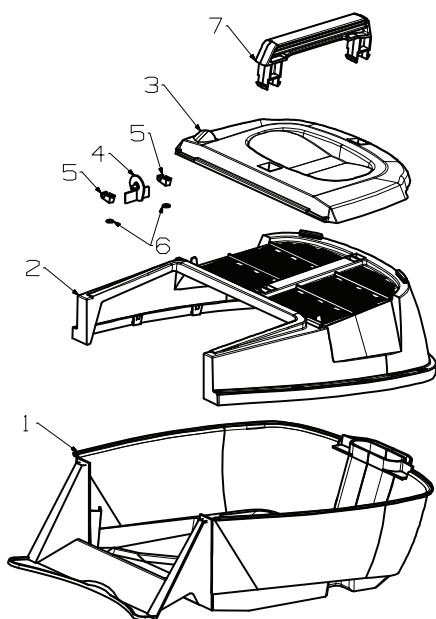
783690 Bolt Set (2)

Includes Items: 1, 2, 3

574699 Blade-Swing Back, 460 ELI (2)

Includes Items: 1, 2, 3, 4

774000 Catcher Assembly 18" (Ind) Masp Red



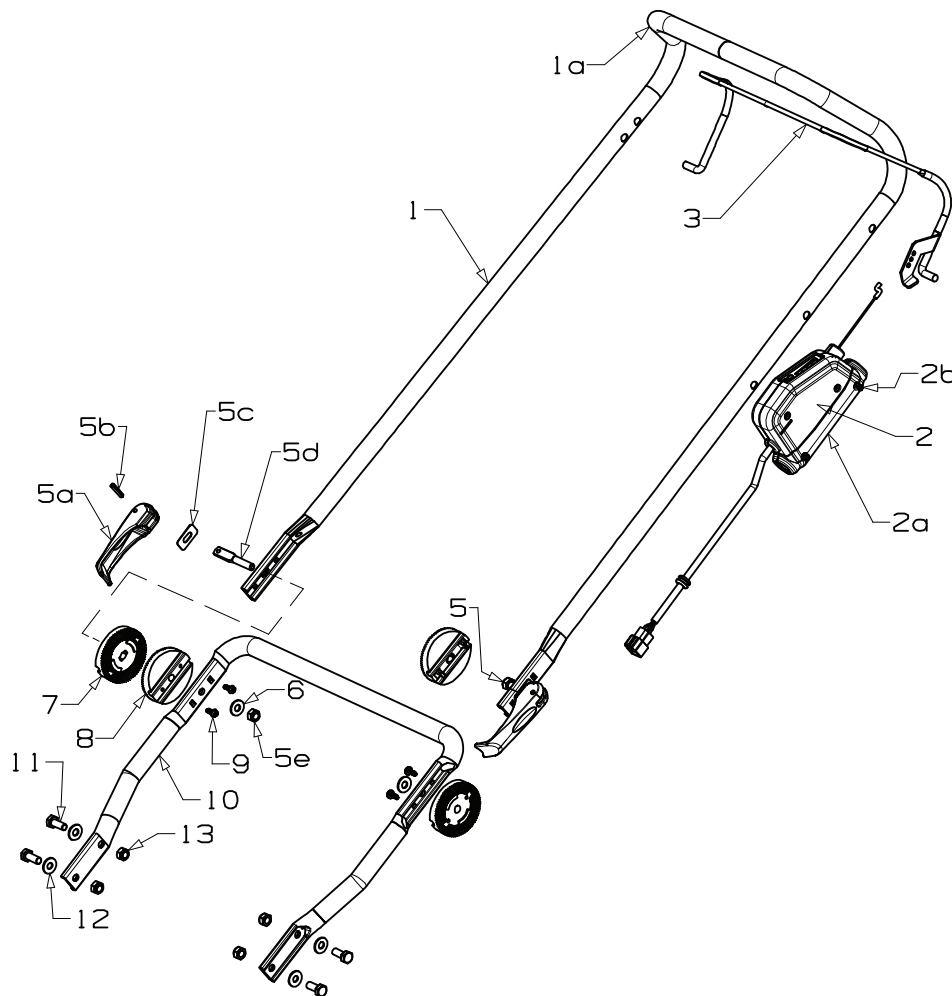
Item	Part No	Description	Qty
1	574000	Catcher- Bottom, 18" Brand Red	1
2	579117	Catcher- Top, 18" Black	1
3	582567	Catcher- Lid, 18" Indicator Black	1
4	582548	Indicator- Catcher	1
5	582550	Clamp- Indicator Retainer	2
6	503381	Clip- Starlock, 4 dia	2
7	580673	Catcher- Handle, Plastic	1
Not Illustrated			
	582568	Decal, Catcher Indicator	1



565856 Ser 18 Stl
0.75kW 60V
Spares Version

Masport®

Issue A.0
July 2021 PB
ECN # 04280
IPL Ref # 765856



Item	Part No	Description	Qty	Not Illustrated	
1/1a	768773	Handle & Sleeve, Adj Batt Black	1	503054	Tie- Nylon Cable, Black 2
2	774786	Switch- Eng, Assy Battery	1	564101	Decal, Flap- Smart Chute 1
2a	574795	*Cover- Switch OPC, Clamp LH	1	568757	Decal, Noise Masp 60V .75kW 1
2b	502282	*Screw, S/Tapping 4 x 25 POZ	2	568758	Decal, HSG Aero Core 1
3	981740	Bail Arm Assy, OPC Flat Red	1	568759	Owner Manual- Masport, Battery 1
5	769674	Cam Lock Assy- MSV (1 per)	2	574696	Decal, HSG- Side B/Powered 1
5a	565240	*Lever- Handle Locking, MSV RED	1	581180	Instruction- Catcher Assembly 1
5b	503369	*Pin, Tension 5.0 x 22	1	581208	Decal, Height Gen/Combo 1
5c	016777	*Washer- Slipper S/S	1		
5d	569674	*Stud- Handle Lock, 72mm	1	974554	Key- Safety, Battery Engine, Red 1
5e	501793	*Nut, M8 Hex Nyloc x 8mm thick	1	553156	Battery 5.0AH Aero Core 60V 1
6	501606	Washer, Flat 8 x 18 x 1.6	2	553157	Charger- Battery, Aero Core 60V 1
7	568784	Disc- Locking Outer Thick, Red	2		
8	568783	Disc- Locking Inner Thick, Red	2		
9	503099	Screw, S/Tapping M5 x 14 POZ	4		
10	981712	Handle- Lower, "U" Adj 18" Black	1		
11	501597	Screw, Set M8 x 20 Hex	4		
12	501606	Washer, Flat 8 x 18 x 1.6	4		
13	501793	Nut, M8 Hex Nyloc x 8mm thick	4		



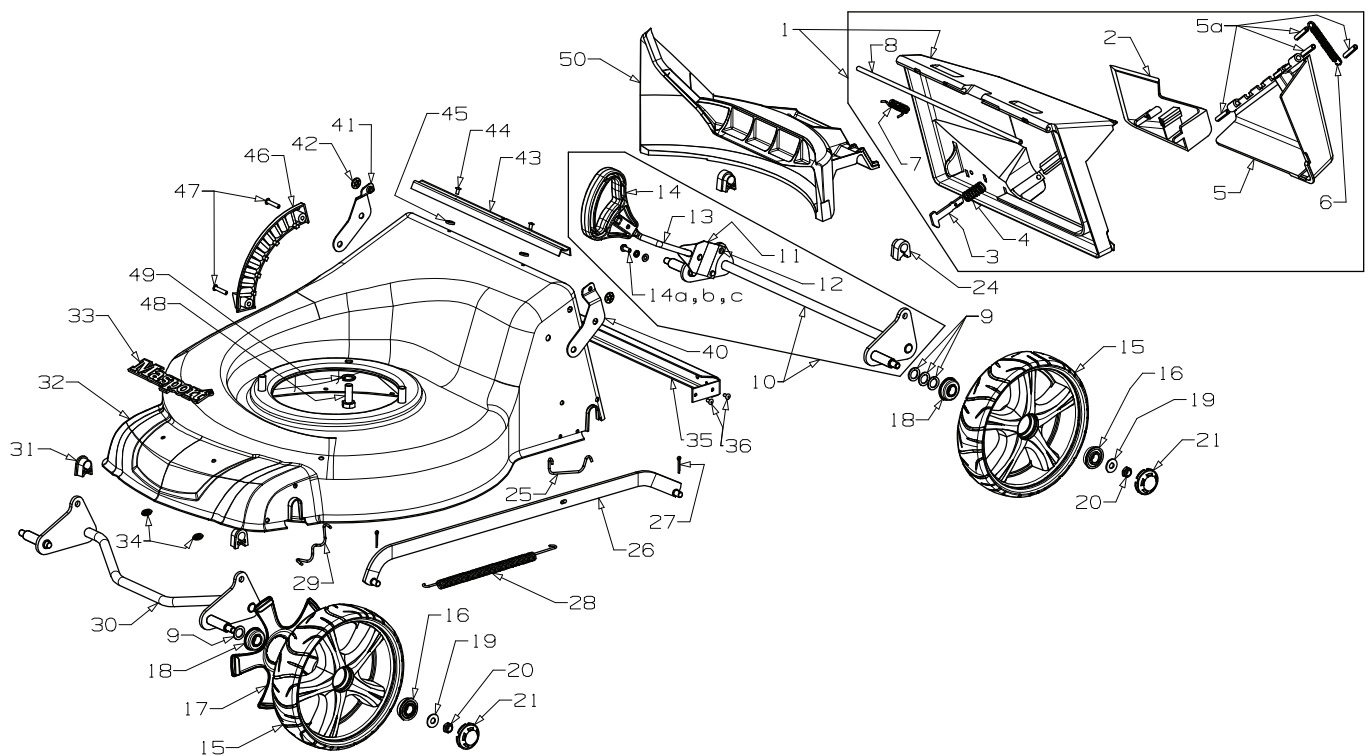
When ordering spares: PLEASE QUOTE PART NUMBER & DESCRIPTION, NOT illustrated number. Item Qty = 1 per part unless stated differently.
BOLD TEXT = Assemblies. Descriptions starting with * = items included in the assemblies & may not be available as a spares item.
 Determine the left or right hand sides by standing in the operating position (standing at the handle).



565856 Ser 18 Stl
0.75kW 60V
Spares Version

Masport®

Issue A.0
July 2021 PB
ECN # 04280
IPL Ref # 765856



Item	Part No	Description	Qty	Item	Part No	Description	Qty
1	981649	Flap Assy- Smart Chute, 18"	1	26	571030	Rod Assy Connecting 175mm	1
2	581647	*Handle-Flap,Side Discharge	1	27	501056	Pin, Cotter 2.3dia x 16	2
3	981650	*Latch- Flap, Barbed	1	28	581463	Spring-Counter Balance	1
4	581106	*Spring- Flap, Latch	1	29	529674	Retainer Axle Front "W"	2
5	571095	*Flap-Door Side, Red	1	30	983281	Axle Assy-Front,200mm	1
5a	581676	*Pin, Tension 6.0 x 35	4	31	580030	Bush-Pivot, Front Axle	2
6	581648	*Spring-Flap,Side Discharge	1	32	779340	Housing Stl 18" XF CO Red (Includes items 35 & 36)	1
7	581349	*Spring-Flap, 18" STL	1	33	581240	Nameplate,Masport Blk/White	1
8	581743	*Wire-Flap Pivot 6mm x 352mm	1	34	503150	Clip Starlock, 5dia	2
9	503301	Washer; Flat 1/2 x 3/4 x 18g	4	35	980608	Brace Rear, 3/4/600	1
10	783256	Axle Assy- Rear Complete, MSV	1	36	581369	Rivet pop 4.0X3.2 73SS5-2	4
14	581729	*Knob- Height Lever, MSV	1	40	579297	Bracket-Flap, LH	1
Above axle has been replaced by axle 768796				41	579298	Bracket-Flap, RH	1
10	768796	Axle Assy- Rear Complete, V2	1	42	503574	Clip- Starlock, 6mm dia	2
11	580649	*Spring- Leaf	1	43	583151	Dust Seal-Flap	1
12	503373	*Rivet- F/HD 3/16x27/64"	3	44	581369	Rivet-Pop 4.0 Dia x 3.2	2
13	568770	*Rod- Height Selector, 18" V2	1	45	502170	Washer, Nylon 5 x 12 x 2.0	2
14	568771	*Handle- Height Lever, Adjust V2	1	46	580025	Quadrant Height Selector	1
14a	501059	*Screw, Pan M5 x 12 Poz	1	47	503660	Rivet Pop 4.8X9.0 73AS6-6	2
14b	501765	*Washer, SPG 5	1	48	501846	Screw Set M10 x 25HT	3
14c	501330	*Washer, Flat 5 x 10 x 1.0	1	49	503897	Washer, Spring 10	3
15	573703	Wheel Assy-200mm Mag Black (Includes 2 x 551212 per wheel)	4	50	583173	Insert- Mulching, 18" STL	1
16	551212	Bearing- Wheel, Ball	4	Not Illustrated (Refer to Motor IPL)			
17	583398	Cover- Inner, Wheel Black	2	968766	Motor Assy- Battery Engine, Red	1	
18	579694	Bearing- Wheel, Plastic	4				
19	501606	Washer, Flat 8 x 19 x 1.6	4				
20	503831	Nut- Nyloc, M8	4				
21	583397	Hub Cap- Button Mag Black	4				
24	580668	Bush-Pivot, Rear Axle	2				
25	579292	Retainer- Axle Rear	2				

When ordering spares: PLEASE QUOTE PART NUMBER & DESCRIPTION, NOT illustrated number. Item Qty = 1 per part unless stated differently.
BOLD TEXT = Assemblies. Descriptions starting with * = items included in the assemblies & may not be available as a spares item.
 Determine the left or right hand sides by standing in the operating position (standing at the handle).