

# Masport®

## DOMESTIC ROTARY MOWERS

### SERIES 18

Part Number  
565858

Model  
ST SP 1.2kW 60V 5AH

Motor  
1.2kW 60V

Month and Year of First Manufacture: June 2021  
From Serial Number: 8610567

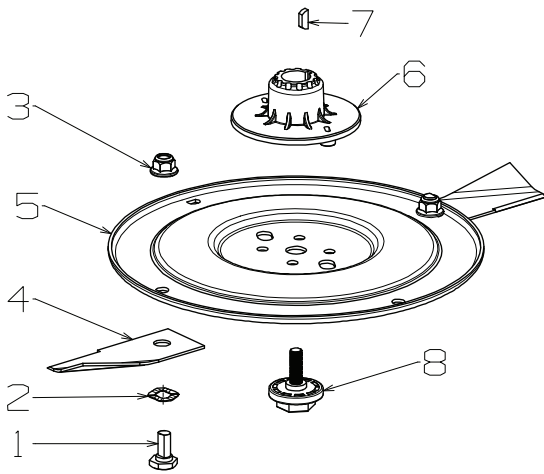


Spares Version

Issue A.0  
Oct 2021 PB  
ECN # 04327  
IPL Ref # 765858



## 460mm Disc Blade- Flat Assembly



Item	Part No	Description	Qty
1	581707	Bolt- Pivot M10 x 22	2
2	580693	Washer, Wavy 13.4 x 24.2	2
3	503672	Nut, M10 Hex Nyloc Flange	2
4	574699	Blade- Swing Back, 460mm ELI	2
5	980082	Disc Blade- Flat	1
6	565437	Driver- Blade, 22mm dia Nylon	1
7	500636	Key, Woodruff, 5/8 x 5/32 x 1/4	1
8	565438	Bolt; Hex NF 3/8 x 1.5 Insulate	1

### Blade & Bolt Sets

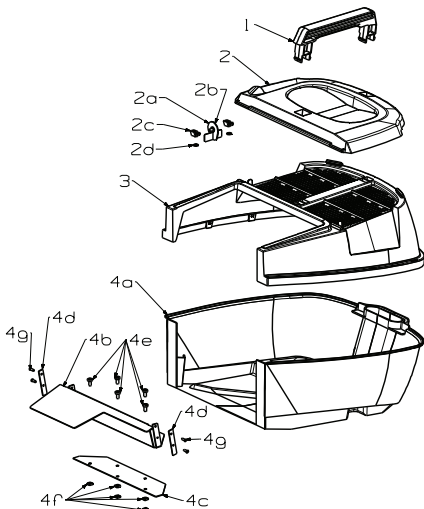
783690 Bolt Set (2)

Includes Items: 1, 2, 3

774699 Blade-Swing- Back, ELI (2)

Includes Items: 1, 2, 3, 4

## Catcher Assembly- 18" Masport Blk (Tunnel)



Item	Part No	Description	Qty
1	580673	Catcher- Handle, Plastic	1
2	582567	Catcher- Lid, 18" Indicator Blk	1
2a	582548	Indicator- Catcher	1
2b	582568	Decal, Catcher Indicator	1
2c	582550	Clamp- Indicator Retainer	2
2d	503381	Clip- Starlock, 4 dia	2
3	579117	Catcher- Top, 18" Black	1
4a	574072	Catcher-Btm, 18" SP Brand/Red	1
4b	573133	Lip- Catcher, 18" Tunnel	1
4c	582222	Lip- Catcher, Backing Plate	1
4d	982223	Plate- Rivet, Ctchr Backing	2
4e	503591	Screw, Pan M6 x 12	5
4f	502098	Nut, M6 Square, Pressed	5
4g	501303	Rivet- Pop 4.0 x 7.9 73AS5-5	4

Replacement Catcher Assembly Option (Red Base Assy Unavailable)

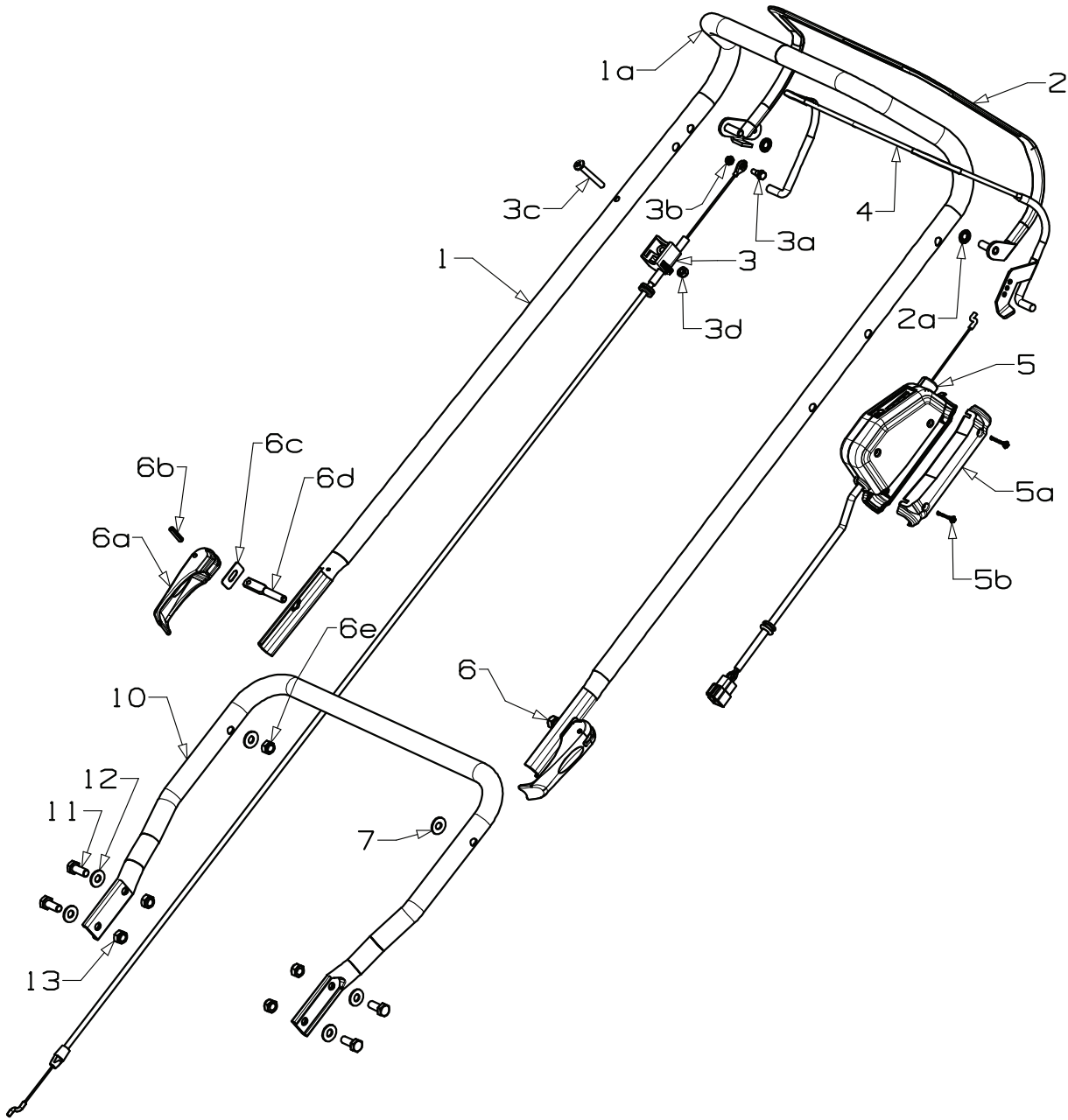
773896 Catcher Assy (Un-Branded Black Base-No Indicator)



565858 Ser 18  
ST SP 1.2kW 60V 5AH  
Spares Version

# Masport®

Issue A.0  
Oct 2021 PB  
ECN # 04327  
IPL Ref # 765858



Item	Part No	Description	Qty	Item	Part No	Description	Qty
1/1a	774886	Handle & Sleeve Batt SFT/BLK	1	6	765240	<b>Cam Lock Assembly Red (2 per)</b>	1
2	974175	Bail Arm Assy, SP RH Red	1	6a	565240	*Lever- Handle Locking, Red	2
2a	501365	Clip-Starlock, 5/16"	2	6b	503369	*Pin, Tension 5.0 x 22	2
3	568772	Cable- Clutch, Thumb Wheel, Batt	1	6c	016777	*Washer- Slipper	2
3a	502237	Bolt, Hex Fl/Head Shouldered M5	1	6d	580690	*Stud- Handle Lock, 64mm	2
3b	502238	Nut, M5 Hex Nyloc x 5mm thick	1	6e	501793	*Nut, M8 Hex Nyloc x 8mm thick	2
3c	503604	Screw, Pan M6 x 45	1	7	501606	Washer, Flat 8 x 19 x 1.6	2
3d	501764	Nut, M6 Hex Nyloc x 6mm thick	1	10	981257	Handle-Lower, "U" Black	1
4	981740	Bail Arm Assy, OPC RED	1	11	503643	Screw, Set M8 x 25 Button Head	4
5	774786	<b>Switch- Engine Assy, Battery</b>	1	12	501606	Washer, Flat 8 x 19 x 1.6	4
5a	574795	*Cover- Switch OPC, Clamp LH	1	13	501793	Nut, M8 Hex Nyloc x 8mm thick	4
5b	502282	*Screw, S/Tapping 4 x 25	2				

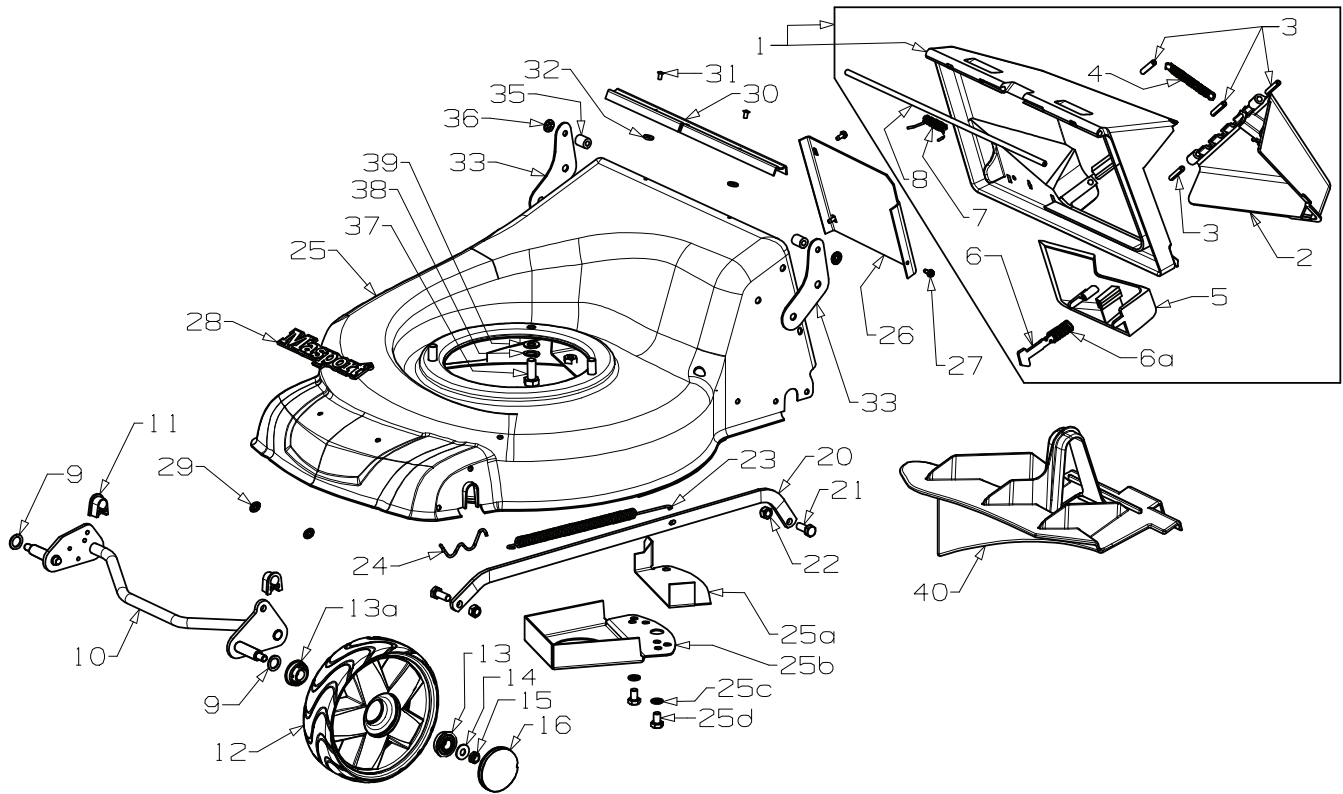
When ordering spares: PLEASE QUOTE PART NUMBER & DESCRIPTION, NOT illustrated number. Item Qty = 1 per part unless stated differently.  
**BOLD TEXT** = Assemblies. Descriptions starting with \* = items included in the assemblies & may not be available as a spares item.  
 Determine the left or right hand sides by standing in the operating position (standing at the handle).



565858 Ser 18  
ST SP 1.2kW 60V 5AH  
Spares Version

# Masport®

Issue A.0  
Oct 2021 PB  
ECN # 04327  
IPL Ref # 765858



Item	Part No	Description	Qty	Item	Part No	Description	Qty
1	981649	<b>Flap Assy- Smart Chute 18"</b>	1	25	764691	<b>Hsg- StIT 18" XFQ SP CO Red</b>	1
2	571095	*Flap-Door Side, Red	1	25a	565280	*Cover- Belt, SP 18" Stl Syncro	1
3	581676	*Pin, Tension 6.0 x 35	4	25b	567412	*Cover- Belt, SP 21" Syncro	1
4	581648	*Spring-Flap,Side Discharge	1	25c	503747	*Washer, Spg 8	2
5	581647	*Handle-Flap,Side Discharge	1	25d	501863	*Screw, Set M8 x 12 Hex	2
6	981650	*Latch- Flap, Barbed	1	26	573131	*Tunnel- G/Box Cover 18" ST	1
6a	581106	*Spring- Flap, Latch	1	27	503630	*Screw, S/Tapping 10 x 0.4	3
7	581349	*Spring-Flap, 18" STL	1	28	581240	*Nameplate MASPORT	1
8	779732	Wire-Flap Pivot 6mm x 377mm	1	29	503150	*Clip-Starlock, 5 dia	2
9	503301	Washer; Flat 1/2 x 3/4 x 18g	2	30	583151	Dust Seal- Flap	1
10	565495	Axle- Front, 18" SP	1	31	581369	Rivet- Pop 4.0 x 3.2 73SS5-2	2
11	580030	Bush- Pivot, Front Axle	2	32	502170	Washer, Nylon 5 x 12 x 2.0	2
12	579200	Wheel Assy-175mm Spoked Blk (Includes 2 x 551212 per wheel)	2	33	567585	Bracket- Flap, Black	2
13	551212	Bearing- Wheel, Ball	2	35	579733	Spacer- Flap	2
13a	579694	Bearing- Wheel	2	36	503574	Clip- Starlock, 6mm dia	2
14	501606	Washer, Flat 8 x 19 x 1.6	2	37	501846	Screw, Set M10 x 25HT	3
15	503831	Nut, M8 Hex Nyloc x 6mm thick	2	38	503897	Washer, SPG 10	3
16	579202	Hub Cap, Button, Spoked Black	2	39	501704	Washer, Flat 10 x 19 x 1.6	3
20	567574	Rod- Connecting, 18" SP	1	40	573278	Insert- Mulching, 18" T STL SP	1
21	501597	Screw, Set M8 x 20 Hex	2	Not Illustrated			
22	501793	Nut, M8 Hex Nyloc x 8mm thick	2	968737	Motor Assy- Batt 1.2kW 60V Red	1	
23	581463	Spring-Counter Balance, Non-SP	1	974554	Key- Safety	1	
24	529674	Retainer-Axle W, Front	2				

When ordering spares: PLEASE QUOTE PART NUMBER & DESCRIPTION, NOT illustrated number. Item Qty = 1 per part unless stated differently.  
**BOLD TEXT** = Assemblies. Descriptions starting with \* = items included in the assemblies & may not be available as a spares item.  
 Determine the left or right hand sides by standing in the operating position (standing at the handle).

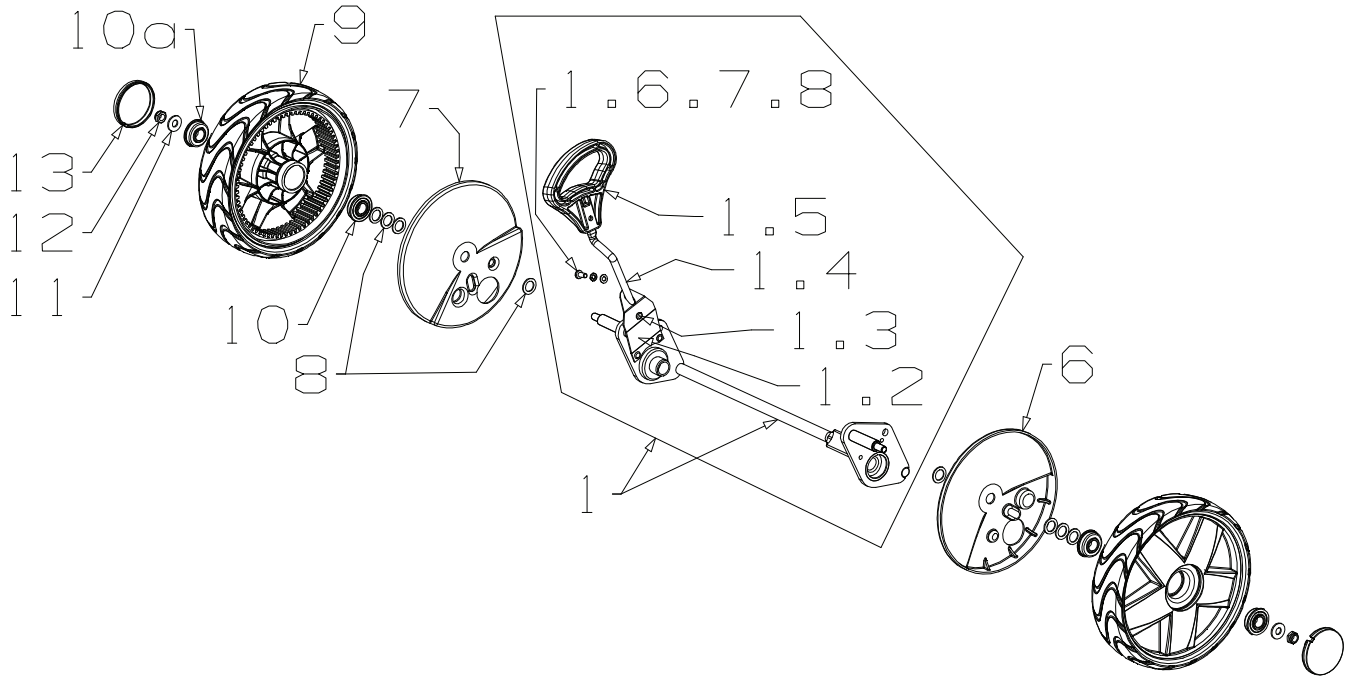




565858 Ser 18  
ST SP 1.2kW 60V 5AH  
Spares Version

# Masport®

Issue A.0  
Oct 2021 PB  
ECN # 04327  
IPL Ref # 765858



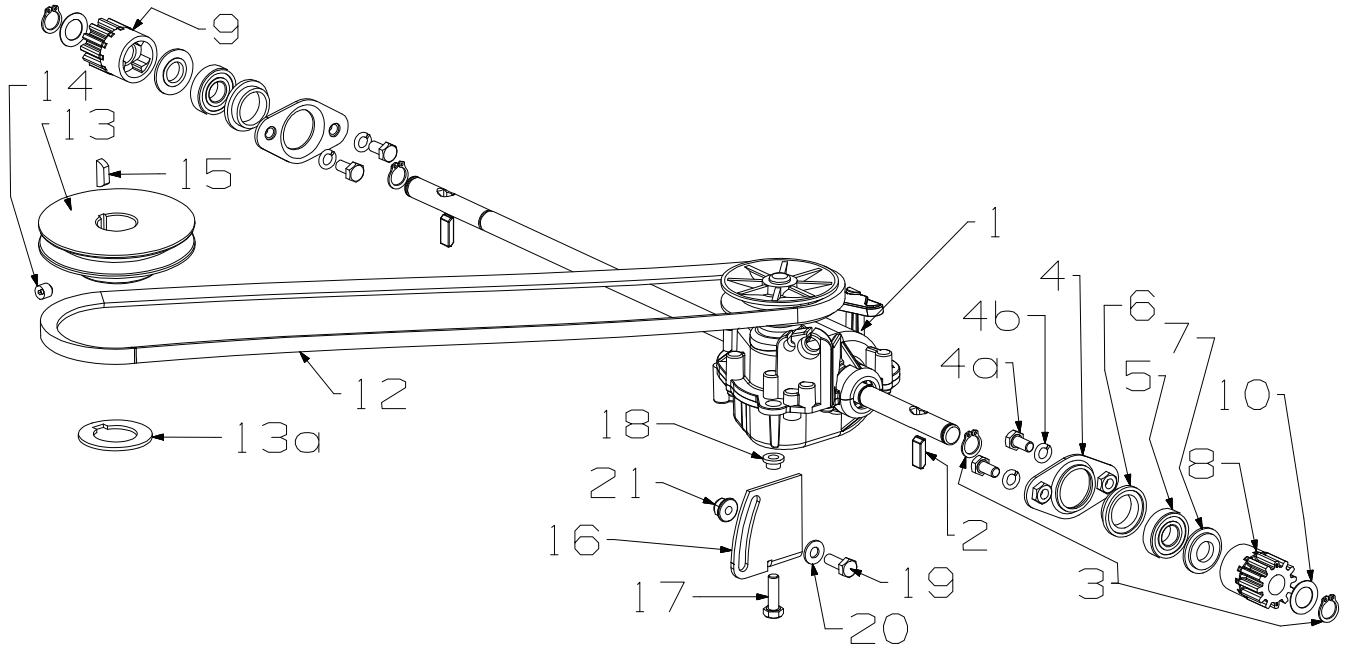
Item	Part No	Description	Qty	Item	Part No	Description	Qty
1	768788	<b>Axle Assy Rear Drive, 18"SP V2</b>	1	8	503301	Washer; Flat 1/2 x 3/4 x 18G	8
1.2	580649	*Spring Leaf	1	9	564077	Wheel Assy-200mm SP, Spoked Blk2 (Includes 2 x 551212 per wheel)	2
1.3	503373	*Rivet- F/HD 3/16" x 27/64"	3	10	579694	Bearing Wheel Plastic	2
1.4	568770	*Rod-Height Selector, 18"/21" V2	1	10a	551212	Bearing-Wheel,	2
1.5	568771	*Handle- Height Lever, Adjust V2	1	11	501606	Washer, Flat 8 x 19 x 1.6	2
1.6	501059	*Screw, Pan M5 x 12	1	12	503831	Nut, M8 Hex Nyloc x 6mm thick	2
1.7	501765	*Washer, Spg 5	1	13	579202	Hub Cap-Button Spoked Black	2
1.8	501330	*Washer, Flat 5 x 10 x 1.0	1				
6	567597	Cover Dust RH + LH 250 ST SP	1				
7	567597	Cover Dust RH + LH 250 ST SP	1				

Not Illustrated

503054	Tie- Nylon Cable, Black	5	553156	Battery 5.0AH Aero Core 60V	1
564101	Decal, Flap- Smart/Chute	1	553157	Charger- Battery, Aero Core 60V	1
568665	Decal, HSG "Easy-Drive"	1			
568751	Decal, Noise Masp 60V 1.2kW	1			
568758	Decal, HSG Aerocore	1			
568759	Owner Manual- Aerocore	1			
574696	Decal, HSG-Side Batt Powered	1			
581180	Catcher Assy Instructions	1			
581208	Decal, Height Gen/Combo	1			



When ordering spares: PLEASE QUOTE PART NUMBER & DESCRIPTION, NOT illustrated number. Item Qty = 1 per part unless stated differently.  
**BOLD TEXT** = Assemblies. Descriptions starting with \* = items included in the assemblies & may not be available as a spares item.  
 Determine the left or right hand sides by standing in the operating position (standing at the handle).



**Note,**  
due to the drive configuration, Pinion marked LH needs to go on the RH side  
and Pinion marked RH needs to go on the LH side.

Item	Part No	Description	Qty	Item	Part No	Description	Qty
1	567358	Gearbox- Single SP Synchro	1	13	568656	Pulley-Engine, 7/8"b x 89d x 26h	1
2	581092	Pawl Pinion, 950SP	2	13a	569552	Spacer- Pulley, 25 x 42 x 2	1
3	503759	Circlip, 12EXT DIN 471	4	14	503386	Screw, Grub M8 x 8	1
4	568601	Retainer Axle Rear 18" ST SP	2	15	500636	Key-W/Ruff 5/8 x 5/32 x 1/4	1
4a	501959	Screw, Set M6 x 12	4	16	557459	Mount-Gearbox 18" ST SP	1
4b	500201	Washer, SPG 6	4	17	501600	Screw, Set M6 x 20	1
5	503901	Bearing, Ball 12x28x8 6001-2RSH	2	18	564093	Bush-G/Box Mount, ST Synchro	1
6	568600	Bush- Pivot, Rear Axle	2	19	501702	Screw, Set M6 x 16	1
7	568603	Cap- Pinion, SP	2	20	501703	Washer, Flat 6 x 14 x 1.2	1
8	569179	Pinion - R/H, 12 Teeth	1	21	503973	Nut, M6 Hex Nyloc Flanged	1
9	569178	Pinion - L/H, 12 Teeth	1				
10	503102	Washer, Flat 12 x 20 x 0.4	2				
12	574401	Belt-V HC VXTRA XPZ 787 Gates	1				