

Masport®

DOMESTIC ROTARY MOWERS

SERIES 19

Part Number

565857

Model

60V 1.2kW 5AH

Motor

768737

Month and Year of First Manufacture: May 2021

From Serial Number: 8595950



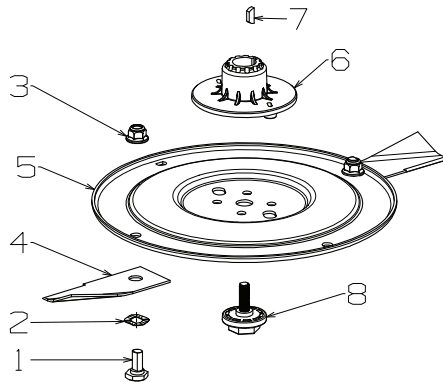


565857 Ser 19 Stl
1.2kW 60V 5AH
Spares Version

Masport®

Issue A.1
Jan 2023 PB
ECN # 04445
IPL Ref # 765857

485mm Disc Blade (Flat)



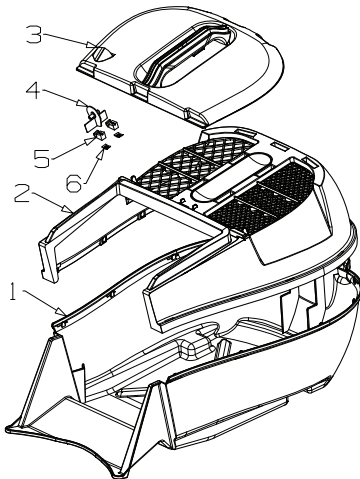
Item	Part No	Description	Qty
1	581707	Bolt- Pivot M10 x 22	2
2	580693	Washer, Wavy 13.4 x 24.2	2
3	503672	Nut, M10 Hex Nyloc Flange	2
4	565155	Blade- Swing Back, 485mm ELI	2
5	980082	Disc Blade- Flat	1
6	565437	Driver- Blade, 22mm Nylon	1
7	500636	Key, Woodruff, 5/8 x 5/32 x 1/4	1
8	565438	Bolt; Hex NF 3/8 x 1.5 Insulate	1

Blade & Bolt Sets

783690 Bolt Set, Includes Items 2 x 1, 2 & 3

773702 485mm Blade and Bolt Set Includes Items: 2 x 1,2,3,4

Catcher Assembly 19"



Item	Part No	Description	Qty
1	574001	Catcher- Bottom, 19" Brand Red	1
2	579051	Catcher- Top, 19" Black	1
3	579085	Catcher- Lid, 19" Indicator Black	1
4	582548	Indicator- Catcher	1
5	582550	Clamp- Indicator Retainer	2
6	503381	Clip- Starlock, 4 dia	2
Not Illustrated			
	582568	Decal, Catcher Indicator	1

Replacement Catcher Assembly

774001 Catcher Assembly- 19" (IND) Masport Red

Not Illustrated - Mower

503054	Tie- Nylon Cable, Black	2	574696	Decal, HSG- Side B/Powered	1
564101	Decal, Flap- Smart Chute	1	581208	Decal, Height Gen/Combo	1
564248	Hook- Lift Handle, Catcher	1	583344	Instruction- Catcher Assembly	1
568751	Decal, Noise Masp 60V 1.2kW	1	974554	Key- Safety, Battery Engine Red	1
568753	Decal, Eng 60V L/H Side	1			
568754	Decal, Eng 60V R/H Side	1			
568755	Decal, Eng Aerocore Top	1	553156	Battery 5.0AH Aero Core 60V	1
568756	Decal, Eng Batt Release 60V	1	553157	Charger- Battery, Aero Core 60V	1
568758	Decal, HSG Aero Core	1			
568759	Owner Manual- Masport, Battery	1			
568775	Label, LI-ION Warning 60V	1			
568776	Label, LI-ION MSDS 60V	1			
568808	Decal, Eng Aerocore Middle	1			
568809	Decal, Eng Aerocore Bottom	1			
569297	Decal, Date Noise Decal	1			



When ordering spares: PLEASE QUOTE PART NUMBER & DESCRIPTION, NOT illustrated number. Item Qty = 1 per part unless stated differently.

BOLD TEXT = Assemblies. Descriptions starting with * = items included in the assemblies & may not be available as a spares item.

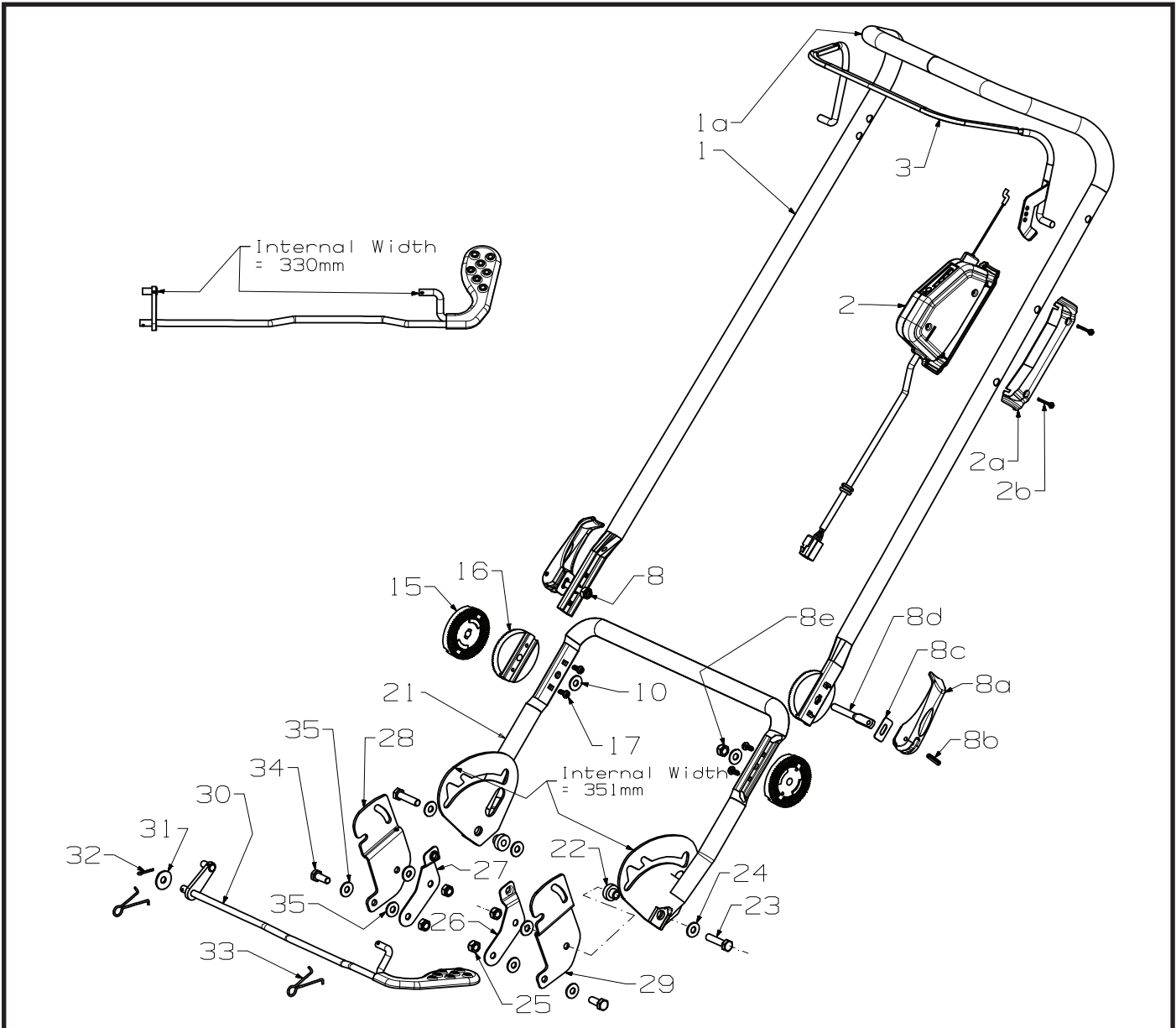
Determine the left or right hand sides by standing in the operating position (standing at the handle).



565857 Ser 19 Stl
1.2kW 60V 5AH
Spares Version

Masport®

Issue A.1
Jan 2023 PB
ECN # 04445
IPL Ref # 765857



Item	Part No	Description	Qty	Item	Part No	Description	Qty
1~1a	768773	Handle & Sleeve Batt/Adj S/Blk	1	21	967501	Handle Assy- Lower, LFTADJ19"	1
2~2b	774786	Switch- Eng, Assy Battery 58v	1	22	567382	Spacer- Handle, Lower Lift	2
2a	574795	*Cover- Switch OPC, Clamp LH	1	23	501716	Screw, Set M8 x 35 Hex	2
2b	502282	*Screw, S/Tapping 4 x 25 POZ	2	24	501606	Washer, Flat 8 x 19 x 1.6	3
3	981740	Bail Arm Assy, OPC Red	1	25	501793	Nut, M8 Hex Nyloc 8mm thick	4
8~8e	765240	Cam Lock Assy-MSV(2 per)Red	1	26	579209	Bracket- Flap, LH 19"	1
8a	565240	*Lever-Handle Locking,MSV Red	2	27	579210	Bracket- Flap, RH 19"	1
8b	503369	*Pin, Tension 5.0 x 22	2	28	567368	Plate- Mount, Handle RH	1
8c	016777	*Washer- Slipper S/S	2	29	567369	Plate- Mount, Handle LH	1
8d	569674	*Stud- Handle Lock, 72mm	2	30	967383	Rod Assy Adj- Lower Lift 19" ALI	1
8e	501793	*Nut, M8 Hex Nyloc x 8mm thick	2	31	502149	Washer- Dished 8 x 24 x 1.6	1
10	501606	Washer, Flat 8 x 19 x 1.6	2	32	501056	Pin, Cotter 2.3dia x 16	1
15	568784	Disc- Locking, Outer Thick, Red	2	33	567381	Spring- Ergo Lift	2
16	568783	Disc- Locking, Inner Thick, Red	2	34	501597	Screw, Set M8 x 20 Hex	2
17	503099	Screw, S/Tapping M5 x 14 POZ	4	35	501606	Washer, Flat 8 x 19 x 1.6	6

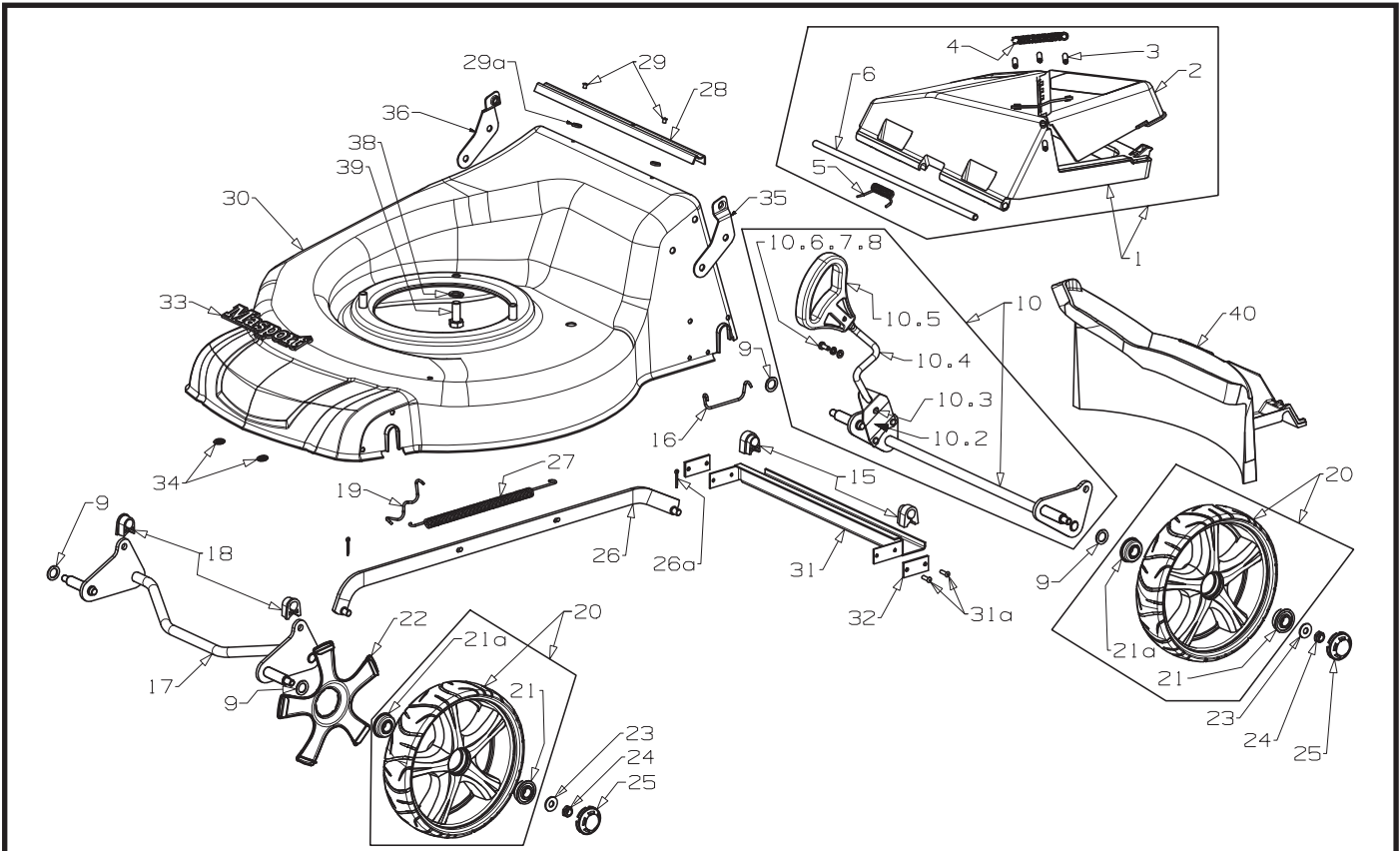
When ordering spares: PLEASE QUOTE PART NUMBER & DESCRIPTION, NOT illustrated number. Item Qty = 1 per part unless stated differently.
BOLD TEXT = Assemblies. Descriptions starting with * = items included in the assemblies & may not be available as a spares item.
 Determine the left or right hand sides by standing in the operating position (standing at the handle).



565857 Ser 19 Stl
1.2kW 60V 5AH
Spares Version

Masport®

Issue A.1
Jan 2023 PB
ECN # 04445
IPL Ref # 765857



Item	Part No	Description	Qty	Item	Part No	Description	Qty
1~6	782414	Flap Mower- Smart Chute, 19"	1	22	583398	Cover- Inner, Wheel Black	2
2	571095	*Flap-Door, Side Red	1	23	501606	Washer, Flat 8 x 19 x 1.6	4
3	581676	*Pin, Tension 6.0 x 35	4	24	503831	Nut, M8 Hex Nyloc x 6mm thick	4
4	581648	*Spring- Flap, Side Discharge	1	25	583397	Hub Cap, Button Mag Black	4
5	579213	*Spring-Flap, 19" STL	1	26	571034	Rod Assy-Connecting, 19"	1
6	583312	*Wire-Flap Pivot 8mmx325mm	1	26a	501056	Pin, Cotter 2.3dia x 16	2
9	503301	Washer; Flat 1/2 x 3/4 x 18g	4	27	581463	Spring-Counter Balance	1
10~10.8	768801	Axle Assy- Rear, Comp 19"V2	1	28	579211	Seal- Flap, Dust	1
10.2	580649	*Spring- Leaf	1	29	581369	Rivet-Pop, 4.0 x 3.2 73SS5-2	2
10.3	503373	*Rivet- F/HD 3/16x27/64"	3	29a	502170	Washer, Nylon 5 x 12 x 2.0	2
10.4	568769	*Rod- Height Selector, 19" V2	1	30~34	774231	HSG-Assy Stl 19" XFQ Red	1
10.5	568771	*Handle-Height Lever, Adj V2	1	31	583512	*Brace- Rear, 19"	1
10.6	501059	*Screw, Pan M5 x 12	1	31a	503028	*Rivet-Pop, 4.0 x 7.9 73SS5-5	4
10.7	501765	*Washer, SPG 5	1	32	574532	*Plate- Rear Brace Spacer	2
10.8	501330	*Washer, Flat 5 x 10 x 1.0	1	33	581240	*Nameplate MASPORT	1
15	580668	Bush-Pivot, Axle Rear	2	34	503150	*Clip- Starlock 5mm dia	2
16	579292	Retainer-Axle, Rear, Stl Deck	2	35	579209	Bracket- Flap, LH 19"	1
17	983281	Axle Assy- Front, 200mm	1	36	579210	Bracket- Flap, RH 19"	1
18	564104	Bush-Pivot, Axle Thick	2	38	501846	Screw, Set M10 x 25HT	3
19	529674	Retainer-Axle, Front "W"	2	39	503897	Washer, SPG 10	3
20~21a	573703	Wheel Assy-200mm Mag Blk	4	40	579218	Insert- Mulching, 19" XF	1
21	551212	*Bearing- Wheel, Ball	1				
21a	551212	*Bearing- Wheel, Ball	1				

When ordering spares: PLEASE QUOTE PART NUMBER & DESCRIPTION, NOT illustrated number. Item Qty = 1 per part unless stated differently.
BOLD TEXT = Assemblies. Descriptions starting with * = items included in the assemblies & may not be available as a spares item.
 Determine the left or right hand sides by standing in the operating position (standing at the handle).

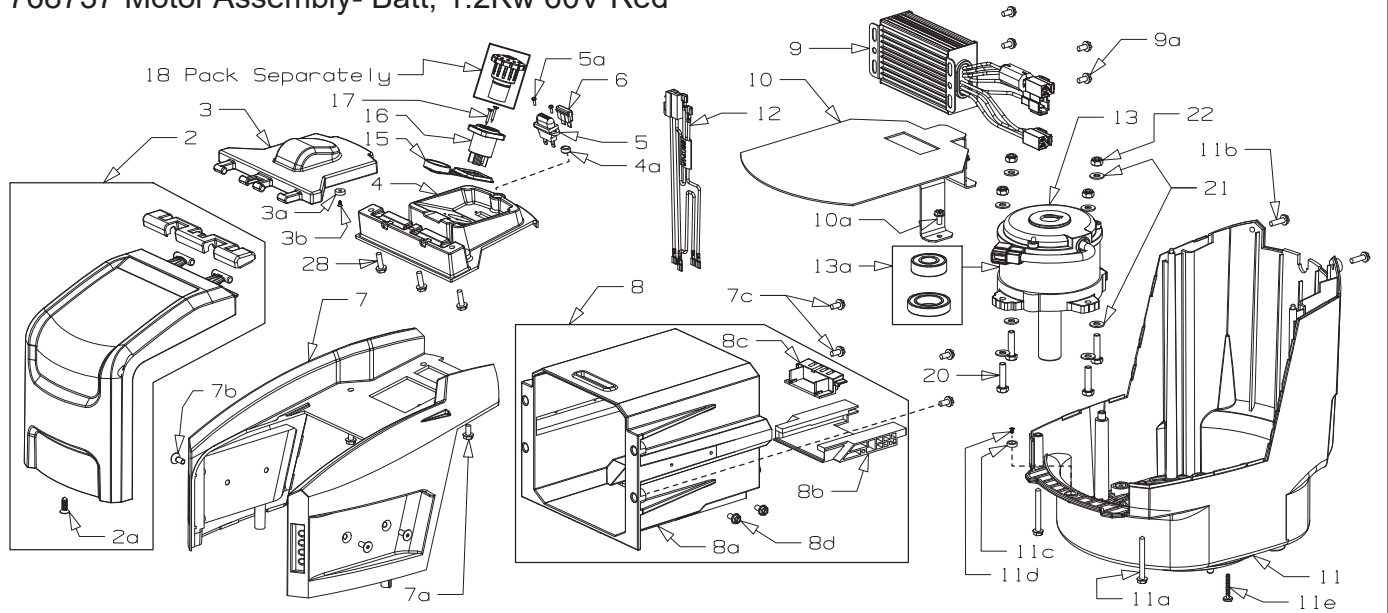


565857 Ser 19 Stl
1.2kW 60V 5AH
Spares Version

Masport®

Issue A.1
Jan 2023 PB
ECN # 04445
IPL Ref # 765857

768737 Motor Assembly- Batt, 1.2Kw 60V Red



Item	Part No	Description	Qty	Item	Part No	Description	Qty
1~28	768737	Motor Assy-Batt 1.2kW 60V Red	1	15	574697	Cover- Sealing	1
2~2a	768740	Cover- Top 60V Batt/Eng Red	1	16	574891	Connector- Chassis	1
2a	501611	*Screw; S/Tapping 4.8 x 16 C/Sink	1	17	502288	Screw, S/Tapping 3/16 C/Sink	2
3	574569	Cover- Lid Black	1	18	974554	Key- Safety, Battery Red	1
3a	568686	Magnet, Cover- Lid 10od x 3	1	20	502424	Screw, Set M6 x 30 W/Head	4
3b	502337	Screw; S/Tapping 2.6 x 6mm C/S	1	22	503973	Nut, M6 Hex Nyloc Flanged	4
4	574572	Panel- Control Black	1	28	502298	Screw, S/Tapping 4.8 x 16 Hex	3
4a	574826	Cylinder- Iron	1	Not Illustrated - Motor			
5	502285	Holder- Fuse, 58v	1	503054	Tie- Nylon Cable Black	2	
5a	502289	Screw, S/Tapping 3 x 6	2	503673	Foam- Poly Cell Aire	1	
6	502305	Fuse- Blade 25A	1	568753	Decal, Eng 60V L/H Side	1	
7	568739	Cover- Mid, 60v Black	1	568754	Decal, Eng 60V R/H Side	1	
7a	503630	Screw; S/Tapping 10 x .4 Type B	4	568755	Decal, Eng Aerocore Top	1	
7b	502158	Screw, S/Tapping 4.8 x 8 C/Sink	4	568756	Decal, Eng Batt Release 60V	1	
7c	503630	Screw; S/Tapping 10 x .4 Type B	4	568808	Decal, Eng Aerocore Middle	1	
8~8d	568741	Battery- Box, Chamber Assy, 60v	1	568809	Decal, Eng Aerocore Bottom	1	
8a	568742	*Battery- Box, Outer Cover	1	565108	Instruction Sheet, Motor Replace	1	
8b	568743	*Battery- Box, Battery Guide	1	Replacement Battery & Charger			
8c	568744	*Battery- Box, Terminal Holder	1				
8d	503630	*Screw; S/Tapping 10 x .4 Type B	4				
9~9a	768705	Controller- Batt Motor ALI 60V	1	553156	Battery 5.0AH Aero Core 60V	1	
9a	503630	*Screw; S/Tapping 10 x .4 Type B	4	553157	Charger- Battery, Aero Core 60V	1	
10	968747	Plate- Mount Assembly, 60v Black	1				
10a	503630	Screw; S/Tapping 10 x .4 Type B	3				
11	568738	Cover- Bottom, 60v	1				
11a	502331	Screw, S/Tapping 4.8 x 45	2				
11b	502298	Screw, S/Tapping 4.8 x 16 Hex	2				
11c	568686	Magnet, Cover- Lid 10 o/d x 3	1				
11d	502337	Screw; S/Tapping 2.6 x 6mm C/S	1				
11e	502273	Screw, S/Tapping 4.8 x 25 Poz	2				
12	568746	Loom- Wiring, Battery Motor 60v	1				
13~13a	768745	Motor- Brushless, Batt 1.2kw 58v	1				
13a	702489	*KIT- Bearing Replace, Batt Motor	1				

When ordering spares: PLEASE QUOTE PART NUMBER & DESCRIPTION, NOT illustrated number. Item Qty = 1 per part unless stated differently.
BOLD TEXT = Assemblies. Descriptions starting with * = items included in the assemblies & may not be available as a spares item.
 Determine the left or right hand sides by standing in the operating position (standing at the handle).