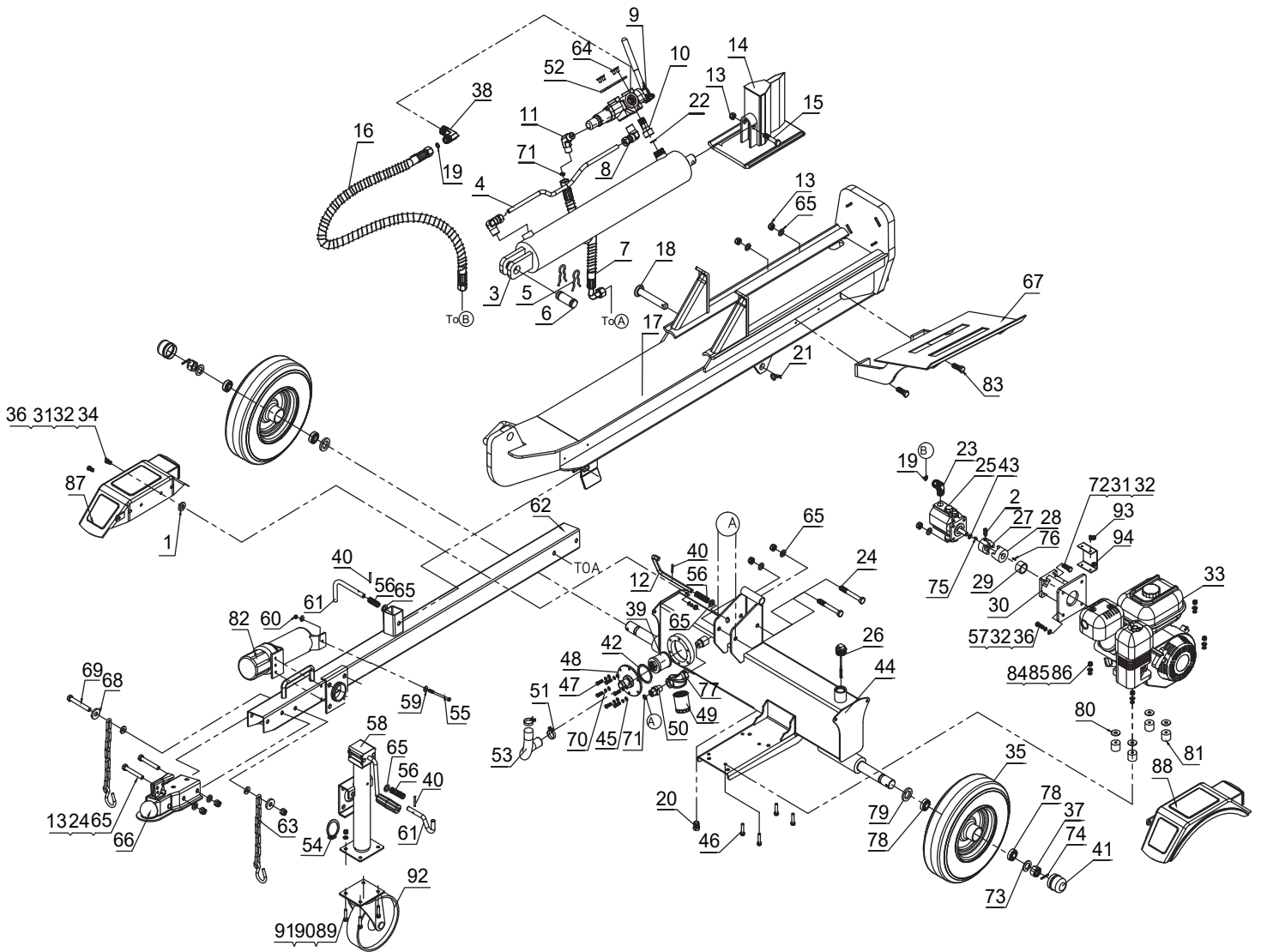


Parts Illustration List



Parts Illustration List

Ref #	Part No.	Description	Qty
1	BWMLS400001	Rubber Washer 2	4
2	BWMLS400002	Inner Hex Cone Point Set Screw M6x10	1
3	BWMLS400003	Cylinder	1
4	BWMLS400004	Metal Hydraulic Hose	1
5	BWMLS400005	R Pin	2
6	BWMLS400006	Cylinder Pin	1
7	BWMLS400007	Hydraulic Hose (Valve -Spin-on Filter)	1
8	BWMLS400008	Cutting Sleeve Connector	2
9	BWMLS400009	One-Way Single Handle Control Valve	1
10	BWMLS400010	Combination Connector	1
11	BWMLS400011	130° Joint	1
12	BWMLS400012	Safety Pin	1
13	BWMLS400013	Nylon Lock Nut M12	7
14	BWMLS400014	Wedge	1
15	BWMLS400015	Hex Bolt M14x80	1
16	BWMLS400016	Hydraulic Hose (Valve - Pump)	1
17	BWMLS400017	Beam Assembly	1
18	BWMLS400018	Hitch Pin	1
19	BWMLS400019	O Ring Ø14x2.5	2
20	BWMLS400020	Oil Plug	1
21	BWMLS400021	R Pin	1
22	BWMLS400022	O Ring Ø15x2.5	1
23	BWMLS400023	Pump Outlet Connector	1
24	BWMLS400024	Hex Bolt M12x100	4
25	BWMLS400025	Gear Pump 15/3.0	1
26	BWMLS400026	Oil Bolt	1
27	BWMLS400027	Gear Pump Coupler	1
28	BWMLS400028	Engine Coupler	1
29	BWMLS400029	Engine Bushing	1
30	BWMLS400030	Gear Pump Stand	1
31	BWMLS400031	Nylon Lock Nut M8	8
32	BWMLS400032	Lock Washer Ø8	12
33	BWMLS400033	Engine (Honda GX390, Briggs & Stratton 13.5HP or Loncin 420CC)	1
34	BWMLS400034	Hex Bolt M8x25	4
35	BWMLS400035	Wheel Assembly	2
36	BWMLS400036	Flat Washer Ø8	8
37	BWMLS400037	Thin Hex Slotted Nut M20	2

Ref #	Part No.	Description	Qty
38	BWMLS400038	Angle Connector	1
39	BWMLS400039	Oil Filter	1
40	BWMLS400040	Cotter Pin Ø3x30	3
41	BWMLS400041	Axle Cap	2
42	BWMLS400042	Rubber Washer	1
43	BWMLS400043	Wire Snap rings for shaft	1
44	BWMLS400044	Oil Tank	1
45	BWMLS400045	Flat Washer Ø6	6
46	BWMLS400046	Hex Bolt M10x70	4
47	BWMLS400047	Hex Bolt M6x20	6
48	BWMLS400048	Filter Mounting Plate	1
49	BWMLS400049	Spin-on Filter	1
50	BWMLS400050	Connector	1
51	BWMLS400051	Clamp	2
52	BWMLS400052	Plate	1
53	BWMLS400053	Oil Pipe	1
54	BWMLS400054	Wire Snap rings for shaft Ø62	1
55	BWMLS400055	Hex Bolt M6x90	3
56	BWMLS400056	Spring	3
57	BWMLS400057	Hex Bolt M8x25	4
58	BWMLS400058	Hand-cranked Support Leg	1
59	BWMLS400059	Large Flat Washer Ø6	6
60	BWMLS400060	Nylon Lock Nut M6	3
61	BWMLS400061	Safety Pin	2
62	BWMLS400062	Tow Bar Assembly	1
63	BWMLS400063	Chain Assembly	2
64	BWMLS400064	Cross Screw M8x10	4
65	BWMLS400065	Flat Washer Ø12	11
66	BWMLS400066	2" Coupler	1
67	BWMLS400067	Log Cradle	1
68	BWMLS400068	Thick Washer	2
69	BWMLS400069	Hex Bolt M12x110	1
70	BWMLS400070	Lock Washer Ø6	6
71	BWMLS400071	O Ring Ø17x2.5	2
72	BWMLS400072	Hex Bolt M8x30	4
73	BWMLS400073	Flat Washer Ø20	2
74	BWMLS400074	Cotter Pin Ø4x36	2
75	BWMLS400075	Gear Pump Flat Key	1

Ref #	Part No.	Description	Qty
76	BWMLS400076	Engine Flat Key	1
77	BWMLS400077	Aluminum Base	1
78	BWMLS400078	Conical Roller Bearing	4
79	BWMLS400079	Oil Seal	2
80	BWMLS400080	Large Flat Washer Ø10	4
81	BWMLS400081	Polyurethane Block	4
82	BWMLS400082	Manual Canister	1
83	BWMLS400083	Hex bolt M12x35	2
84	BWMLS400084	Nylon Lock Nut M10	4
85	BWMLS400085	Lock Washer Ø10	4
86	BWMLS400086	Flat Washer Ø10	4
87	BWMLS400087	Left Fender	1
88	BWMLS400088	Right Fender	1
89	BWMLS400089	Hex Bolt M10x25	4
90	BWMLS400090	Flat Washer Ø10	4
91	BWMLS400091	Nylon Lock Nut M10	4
92	BWMLS400092	Jockey Wheel	1
93	BWMLS400093	Hex Bolt M5x10	4
94	BWMLS400094	Coupler Cover	1