

# **VICTA**<sup>®</sup>

Not for  
Reproduction

**18V LITHIUM-ION  
JET BLOWER  
ASSEMBLY & OWNER'S MANUAL**



**WARNING!** Read this manual before operating your product.



# IMPORTANT NOTES

## Details

Thank you for purchasing your VICTA product. VICTA prides itself in the quality and performance of all its products.

This instruction manual will aid in the assembly, safe operation and maintenance of your product.

Please read the following warnings to ensure safety and the long life of your product.

### **WARNING**

Do not attempt to operate this product until you have read thoroughly and understood completely all instructions, safety rules, etc, contained in this manual. Failure to comply may result in accidents involving electric shock, fire, and/or serious personal injury.

### **INTENDED USE**

This blower is intended for the blowing and of leaves, grass clippings and other similar garden debris in domestic use. Do not use for stones, bark, fine abrasive and clogging aggregate such as saw dust or sand. Do not use as an air/gas extraction unit.

Do not use the product for any task, except for that which it is intended.

### **General safety**



**Warning!**



**Beware of electric shock hazard when charging.**



**Read the directions for use before operating the machine.**



**Read the directions before carrying out any maintenance work.**



**Wear safety goggles and ear protection that meet safety standards.**



**Wait for all components of the machine to completely stop & remove the battery.**



**Wear sturdy, non-slip footwear.**



**Should NOT be disposed of with house hold items.**



**Wear safety gloves.**



**Ambient temperature 40°C Max.**



**Do not use machine in wet conditions, protect the machine from rain and damp.**



**Do not throw into water.**



**Be careful of objects being thrown out! Ensure bystanders are kept at least 50" (15m) away & stop the machine if approached.**



**Keep away from heat and/or open flame.**










**Keep hands, loose hairs and loose clothing away from blower fan.**



**Batteries contain Li-ion. Do not dispose of waste batteries in domestic waste. Contact local authority to find out how to dispose of batteries appropriately.**



## Table of Contents

	Features & Supplied Items		
		Jet Blower	3
	Safety & Handling		
		General safety	4
	Assembly Procedures		
		Unpacking	5
		Assembly	5
		Removing the tube	5
		Installing & removing the battery	6
	Operating Instructions		
		Starting	6
		Operating	7
	Maintenance & Care		
		Cleaning	8
		Storage	8
		Product disposal	8
		Maintenance chart	9
		Emergency contact	9
		Service	9
	Troubleshooting		
		Troubleshooting	10
	Technical Specifications		
		Specifications	11

**NOTE: WARRANTY DETAILS ARE NOT WRITTEN WITHIN THIS OPERATOR'S MANUAL. REFER TO OTHER DOCUMENTS SUPPLIED WITH THIS MACHINE FOR WARRANTY DETAILS.**

**THE WARRANTY DOCUMENTS MAY INCLUDE TECHNICAL SPECIFICATIONS THAT ARE SPECIFIC TO EACH MODEL THAT ARE NOT WRITTEN WITHIN THIS OPERATOR'S MANUAL.**



# FEATURES & DEFINITIONS

## Features & Supplied Items

- 1 Blower Housing
  - 2 Blower Tube
  - 3 Variable speed knob
  - 4 Trigger
  - 5 Turbo button
  - 6 Air Inlet Grill (not included with all product)
  - 7 Battery Slot
  - 8 Battery Charger (may not be included)
  - 9 Battery (may not be included)
- Battery & Charger Instruction/Safety Manual (not shown)

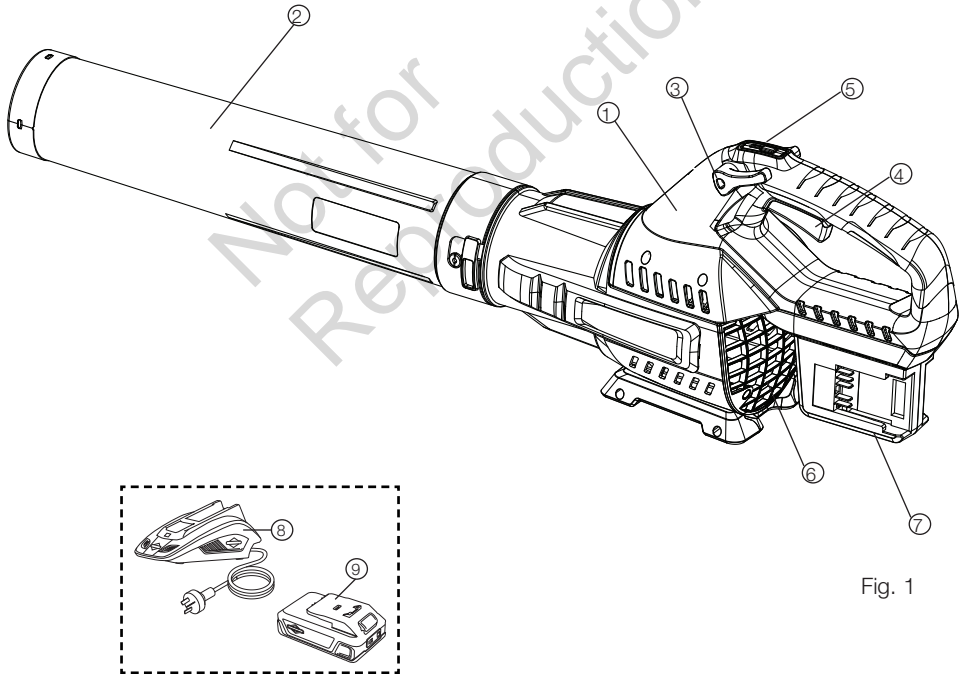


Fig. 1

### WARNING

Do not operate the product if any component is missing or damaged. Have any missing or damaged components repaired or replaced.



## General Safety

### WARNING

Read all safety warnings, instructions, illustrations and specifications provided with this power tool. Failure to follow instructions listed below may result in electric shock, fire and/or serious injury.

Save all warnings and instructions for future reference.

The term "power tool" in the warnings refers to your battery-operated (cordless) power tool.

## Work Area Safety

- **Keep work area clean and well lit.** Cluttered or dark areas invite accidents.
- **Do not operate power tools in explosive atmospheres, such as in the presence of flammable liquids, gases or dust.** Power tools create sparks which may ignite the dust or fumes.
- **Keep children and bystanders away while operating the power tool.** Distractions can cause you to lose control.
- **Thoroughly inspect the area where the machine is to be used. Remove all stones, sticks, wire, bones, toys, and other objects that could be tripped over or thrown by the cutting mechanism.** Thrown objects can cause serious personal injury.

## Electrical Safety

- **Avoid body contact with earthed or grounded surfaces such as pipes, radiators and refrigerators.** There is an increased risk of electric shock if your body is earthed or grounded.
- **Do not expose the power tool to rain or wet conditions.** Water entering the power tool will increase the risk of electric shocks.

## Personal Safety

- **Stay alert, watch what you are doing and use common sense when operating the power tool. Do not use the power tool while you are tired or under the influence of drugs, alcohol or medication.** Reduced concentration while operating the power tool may result in serious personal injury.
- **Use personal protective equipment. Always wear eye protection.** Protective equipment such as a dust mask, non-skid safety shoes, hard hat or hearing protection used for appropriate conditions will reduce personal injuries.
- **Prevent unintentional starting. Ensure the switch is in the off-position before inserting the battery pack, picking up or carrying the tool.** Carrying power tools with your finger on the switch may cause accidental starts.
- **Remove any adjusting key or wrench before turning the power tool on.** A wrench or key left attached to a rotating part of the power tool may result in personal injury.
- **Do not overreach. Keep proper footing and balance at all times.** This enables better control of the power tool in unexpected situations.
- **Do not wear loose clothing or jewellery. Keep your hair and clothing away from moving parts.** Loose clothes, jewellery or long hair can be caught in moving parts.
- **Do not operate this machine in bare feet, or while wearing sandals or lightweight (e.g. canvas shoes) Wear long trousers & heavy shoes.**
- **Do not let familiarity gained from frequent use of similar power tools allow you to become complacent and ignore safety principles.** A careless action can cause severe injury.



# SAFETY & HANDLING

- Do not use the machine indoors. Only store the machine indoors in a dry & secure location. Keep the machine out of reach of children.
- Do not use the machine in a rush. Always walk & never run with the machine.

## Power Tool Use and Care

- The power tool should be operated only with a genuine Briggs & Stratton 18V Lithium-ion battery. When using battery powered power tool, basic safety precaution should always be followed to reduce the risk of leaking batteries and personal injury.
- Do not force the power tool and always use the correct power tool for your application. The correct power tool will do the job better and safer if it was designed to do so.
- Do not use the power tool if the switch does not turn it on and off safely. Any power tool that cannot be controlled with the switch is dangerous and must be repaired before use.
- Remove the battery pack from the power tool before changing accessories, storing power tools or when not in use.
- Store idle power tools out of the reach of children and do not allow persons unfamiliar with the power tool or these instructions to operate the power tool. Power tools are dangerous in the hands of untrained users.
- Maintain power tools and accessories. Check for misalignment or binding of moving parts, breakage of parts and any other condition that may affect the power tool's operation. If damaged, repair the power tool before use.
- Use the power tool and accessories in accordance with these instructions, taking into account the working conditions and the work to be performed. Use of the power tool for operations different from what it is intended for may be hazardous.
- Keep handles and grasping surfaces dry, clean and free from oil and grease. Slippery handles and grasping surfaces do not allow for safe handling and control of the tool in unexpected situations.
- Become familiar with all controls and their proper operation before using the power tool. Know how to stop the power tool and how to disengage the power in an emergency.
- If the power tool starts to vibrate excessively, discontinue use until the machine has been inspected and assessed. Having a power tool assessed for vibration problems generally reduces the risk for injury or product failure.
- Do not point the power tool in the direction of people or pets.
- Power tool must be completely assembled before attempting to start operation.



## Battery Use and Care

- **Recharge only with the charger specified by the manufacturer.** A charger that is suitable for one type of battery pack may create a risk of fire when used with another battery pack.
- **Use power tools only with specifically designated battery packs.** Use of any other battery packs may create a risk of injury and fire.
- **When battery pack is not in use, keep it away from other metal objects, like paper clips, coins, keys, nails, screws, or other small metal objects that can make a connection from one terminal to another.** Shorting the battery terminals together may cause burns or a fire.
- **Under abusive conditions, liquid may be ejected from the battery. If this happens, avoid contact. If contact accidentally occurs, flush with water and if it comes in contact with eyes, seek medical help.** Liquid ejected from the battery may cause irritation or burns.
- **Do not use a battery pack or tool that is damaged or modified.** Damaged or modified batteries may exhibit unpredictable behaviour resulting in fire, explosion or risk of injury.
- **Do not expose a battery pack or tool to fire or excessive temperature.** Exposure to fire or temperature above 130°C may cause explosion.
- **Follow all charging instructions and do not charge the battery pack or tool outside the temperature range specified in the instructions.** Charging improperly or at temperatures outside the specified range may damage the battery and increase the risk of fire.

Not for  
Reproduction



# ASSEMBLY PROCEDURES

## Unpacking

The Blower is supplied with some components not assembled. Before assembly:

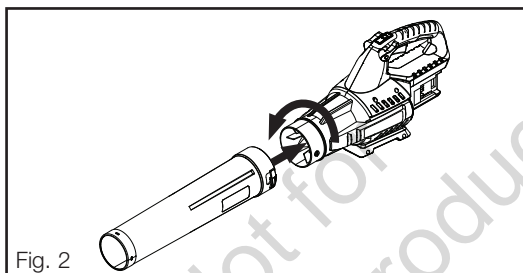
- Carefully remove the product and any accessories from the box. Make sure that all items listed on page 3 are included.
- Inspect the product carefully to make sure no breakage or damage occurred during shipping.

### **WARNING**

If any parts are damaged or missing do not operate this product until the parts are replaced. Using a product with damaged or missing parts could result in serious personal injury.

## Blower Assembly

**NOTE:** Refer to figure 2.



- Slide blower tube onto the blower housing while having the groove on the tube aligned with the locking tab on the housing
- Once inserted, while holding the housing, rotate the tube the securely tighten it in place (Fig 2).

## Removing the Tube

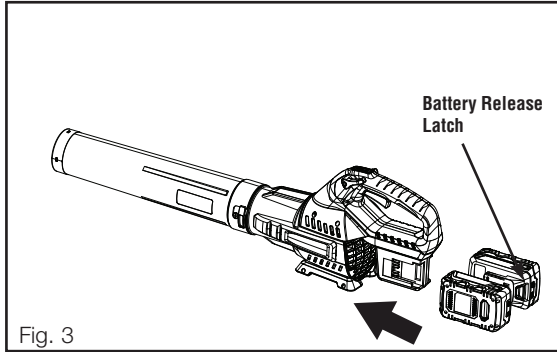
- Turn the blower off.
- Remove the battery.
- While holding the housing, turn the tube in the opposite direction.
- Pull the Tube away from the blower.





## Installing the Battery

**NOTE:** Refer to figure 3.



- Align raised rib on battery with grooves in the blower's battery port and insert the batteries (Fig 3).
- Make sure the latch on bottom of the battery snaps in place and that battery pack is secured in the blower before beginning operation.

## Removing the Battery

- Turn the blower off.
- Press and hold the release latch button at the bottom of the battery.
- Remove battery from the blower.

### **WARNING**

When inserting the battery, be sure the raised ribs on the battery align with the grooves in the top of the blower. Make sure the battery is fully seated, and it latches into place properly. Improper installation of the battery can cause damage to internal components and may fall from product whilst in use resulting in personal injury.

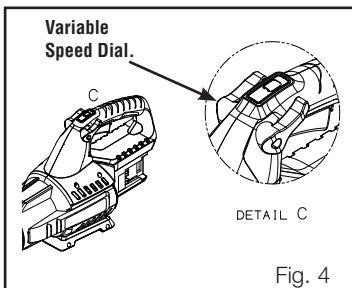
**Refer to the Briggs & Stratton 18V Battery & Charger instruction manual for further information relating to battery & charger use, servicing, storage and safety.**

# OPERATION INSTRUCTION



## Starting The Blower

**NOTE:** Refer to figure 4.



- Insert two batteries.
- Pull the trigger or push the variable speed knob downwards.
- To increase air speed, push either side of the knob downwards.

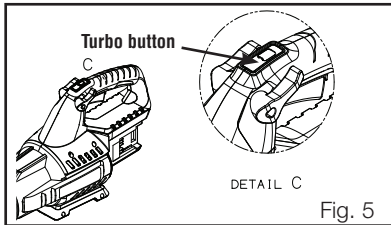
**NOTE:** The variable speed knob can be used to activate cruise control by pushing the knob downwards and releasing the trigger.



# OPERATION INSTRUCTION

## Turbo Mode

**NOTE: Refer to figure 5.**



- For maximum performance, push and hold the turbo button.
- Turbo mode will be deactivated once the turbo button is released.

## Stopping The Blower

**NOTE: Refer to figure 4**

- To decrease air speed or turn off the jet blower, push the variable speed knob upwards.
- Always remove the battery(s) when not in use to ensure the blower is not turned by accident.
- Remove batteries.

## Operating

- Ensure the unit is not directed at anybody or any loose debris before starting the unit.
- Verify that the unit is in good working condition. Make sure the tube is in place and secure.
- If possible, loosen debris before blowing.
- Be aware of your surrounding when operating the blower. Watch out for children, pets, open windows, freshly washed cars etc and blow debris safely away.

### OPERATING TIPS

Hold the blower firmly. Sweep from side to side with the nozzle 5-10cm above the ground or floor. Slowly advance the unit, keeping the accumulated pile of debris in front of you. Most dry blowing operations are better suited to low speeds, rather than high. High speed blowing is a better way to move heavier items like large debris or gravel.

### AIR VENTS

Never cover air vents. Keep them free from obstructions and debris. They must always remain clear for proper motor cooling and optimum performance.

### **WARNING**

To avoid serious personal injury, do not wear loose fitting clothing or articles such as scarves, strings, chains, ties, etc., that could get drawn into the air vents. To make sure long hair does not get drawn into the air vents, tie long hair back.



## Cleaning

### **WARNING**

To prevent serious personal injury remove the battery from the machine before servicing, cleaning, or removing debris.

- Clean the unit using a damp cloth with a mild detergent.
- Do not immerse the machine or any part of it in water.
- Moisture can cause a shock hazard. Wipe off any moisture with a soft dry cloth & ensure the machine is dry before replacing the battery.
- Use a small brush or vacuum cleaner to clean the air vents on the product
- Keep the air vents free of obstructions.

Do not use solvents, strong detergents, certain aromatic oils such as pine and lemon when cleaning plastic parts. Chemicals can damage, weaken or destroy plastic component which may result in serious personal injury.

## Storing

The following steps should be taken in order to prepare the machine for storage.

- Clean the machine as described in the previous section.
- Store the machine in a dry, clean location. Do not store it next to corrosive materials, such as fertilizer or fuel.
- Store the machine indoors, in a cool, dry place, out of the reach of children.
- Ensure battery is removed before storage.

## Product Disposal

### **CORRECT DISPOSAL OF THE PRODUCT**



Waste electrical products should not be disposed of with household waste. Please recycle where facilities exist. Check with your local authority or retailer for recycling advice. The battery contains material which is hazardous to you and the environment.

It must be removed and disposed of separately at a facility that accepts lithium-ion batteries.



**Refer to Briggs & Stratton 18V Battery & Charger manual for further information relating to battery and charger disposal.**

### **CORRECT DISPOSAL OF THE PACKAGING**



The packaging consists of cardboard and correspondingly marked plastics that can be recycled. Make these materials available for recycling.

Information about the residual risks that remain despite the inherit safe design measures, safeguarding and complementary protective measures adopted.

## Emergency Contact

In the rare case a battery is damaged & any of the contents leaks or comes into contact with a persons skin, eyes, or is ingested, follow the first aid instructions inside the battery & charger manual. Seek further medical attention immediately.



# MAINTENANCE & CARE

## Maintenance Chart

Refer to the following table for routine maintenance.

Features	Requirements	Before use	After use	Recharging	Monthly	Yearly	If damaged	As required
<b>Whole unit</b>	Visual inspection	●		●				
<b>Blower housing</b>	Check & clean		●					●
<b>Air inlet</b>	Check & clean		●					
<b>Tube</b>	Check & clean	●						●
<b>All accessible fasteners</b>	Check & re-tighten.	●						●

## Service

Servicing requires extreme care and knowledge and should be performed only by a qualified service technician. For service we suggest you return the product to your nearest authorized service centre for repair. When servicing, use only genuine replacement parts.

- Keep the machine dry, clean, and free of oil and grease.
- In order to reduce the risk of fire, keep the motor free of grass, leaves, and debris build-up.
- Keep all nuts, bolts, and screws tight in order to be sure that the equipment is in safe working condition.
- Never tamper with safety devices. Check them regularly for proper operation.
- Improper repairs may result in product malfunction. This endangers you and your environment

### **WARNING**

Never service damaged battery packs. Service of battery packs should only be performed by the manufacturer or authorized service providers.

**NOTE:** Refer to warranty card supplied with this product for service contact details.



## Troubleshooting

Problem	Possible Cause	User action
The unit will not start	<ol style="list-style-type: none"> <li>1. Battery is not inserted correctly</li> <li>2. Battery is not charged</li> </ol>	<ol style="list-style-type: none"> <li>1. Ensure that the battery is fully seated in the product and that the clip has fully engaged.</li> <li>2. Charge the battery fully.</li> </ol>
The variable speed knob is not working	<ol style="list-style-type: none"> <li>1. Variable speed knob is too loose or too tight.</li> </ol>	<ol style="list-style-type: none"> <li>1. Adjust the screw tension on the knob</li> </ol>
The unit will not blow	<ol style="list-style-type: none"> <li>1. Air inlet grill is blocked</li> <li>2. Tube is blocked</li> </ol>	<ol style="list-style-type: none"> <li>1. Clear the blockage following the procedure in the manual.</li> <li>2. Clear the blockage following the procedure in the manual.</li> </ol>

Not for  
Reproduction



# TECHNICAL SPECIFICATIONS

## Specifications

PRODUCT SPECIFICATION	18V JET BLOWER
Motor Type	Brushless Motor
Motor Specification	36V DC (2 x 18V)
Maximum Motor Speed	21950RPM
Maximum Air Volume	480 CFM
Product Weight (No Battery)	2.0 Kg
Sound Pressure Level	L <sub>pa</sub> :75.6 dB (A), K: 3 dB (A)
Sound Power Level (Measured)	L <sub>wa</sub> : 95.8 dB (A)
Sound Power Level (Guaranteed)	L <sub>wa</sub> : 99.0 dB (A)
Vibration Total Value (Max speed)	a <sub>h</sub> : 1.22 m/s <sup>2</sup> , K:1.5 m/s <sup>2</sup>

### A warning:

- That the declared vibration total value has been measured in accordance with a standard test method and may be used for comparing one tool with another;
- That the declared vibration total value may also be used in a preliminary assessment of exposure.
- That the vibration emission during actual use of the power tool can differ from the declared total value depending on the ways in which the tool is used and of the need to identify safety measures to protect the operator that are based on an estimation of exposure in the actual conditions of use (taking account of all parts of the operating cycle such as the times when the tool is switched off and when it is running idle in addition to the trigger time).



Not for  
Reproduction



# NOTES

---

---

---

---

---

---

---

---

---

---

---

---

---

---

---

---

---

---

---

---

---

---

---

---

---

---

---

Not for  
Reproduction





Not for  
Reproduction

Not for  
Reproduction

©2021 Briggs & Stratton LLC. All rights reserved.

VICTA is a trademark of Briggs & Stratton Australia Pty Ltd

No part of this booklet may be reproduced by any means without prior written permission.  
All information herein is subject to change without notice.