

VICTA[®]

Not for
Reproduction

18V LITHIUM-ION CORDLESS LAWNMOWER ASSEMBLY AND OWNER'S MANUAL



WARNING! Read this manual before operating your VICTA Lawnmower.



IMPORTANT INFORMATION

Details

Thank you for purchasing your VICTA product. VICTA prides itself in the quality and performance of all its products.

This instruction manual will aid in the assembly, safe operation and maintenance of your product.

Please read the following warnings to ensure safety and the long life of your product.

WARNING

Do not attempt to operate this product until you have read thoroughly and understood completely all instructions, safety rules, etc, contained in this manual. Failure to comply may result in accidents involving electric shock, fire, and/or serious personal injury.

INTENDED USE

This product is intended for domestic lawn mowing only. The cutting blade should rotate approximately parallel to the ground over which it is being wheeled. All four wheels should touch the ground while mowing. It is a pedestrian controlled walk behind mower.

NOTE: The mower should never be operated with the wheels off the ground, it should not be pulled or ridden on. It should not be used to cut anything other than domestic grass lawns.

Do not use the product for any task, except for that which it is intended.

General safety



Warning!



Read the directions for use before operating the machine.



Wear safety goggles and ear protection that meet safety standards.



Wear sturdy, non-slip footwear.



Wear safety gloves.



Do not use machine in wet conditions, protect the machine from rain and damp.



Be careful of objects being thrown out!



Ensure bystanders are kept at least 50' (15m) away & stop the machine if approached.



Keep away from heat and/or open flame.



Beware of electric shock hazard when charging.



Read the directions before carrying out any maintenance work.



Wait for all components of the machine to completely stop & remove the battery.



Keep hands and feet away from cutting area. Contact with the blades can amputate hands & feet.



Should NOT be disposed of with house hold items.



Never use the mower unless the grass catcher or guard is in position.



Ambient temperature 40°C Max.



Do Not immerse in water.



Table of Contents



Safety & Handling

General Safety	1
Product Disposal	3
Emergency Contact	3



Features & Definitions

Product Features	4
------------------	---

Assembly Procedures

Handle assembly parts	7
Attaching the lower handle	7
Installing Batteries	9
Removing Battery	10
Grasscatcher Asseby	10
Grasscatcher Asseby (Fabric)	11



Operating Instructions



Quick Set Up Guide	12
Starting and Stopping	13
Battery Capacity Indicator	13
Height Adjustment	14
Mowing Tips	14



Maintenance & Care

Emptying Grass Catcher	15
Cleaning	15
Storage	16
Blade Replacement	17
Battery	18
Service	18
Maintenance Chart	19
Troubleshooting	20
Secification	21

Warranty

NOTE - WARRANTY DETAILS ARE NOT WRITTEN WITHIN THIS OPERATOR'S MANUAL. REFER TO THE WARRANTY LEAFLET SUPPLIED WITH THE MACHINE FOR PRODUCT WARRANTY DETAILS.



SAFETY & HANDLING

General Safety

- Keep this manual in a safe place for future reference, and consult it regularly. Ensure other users read this manual and are aware of the product safety risks.
- The machine should be operated only with a genuine Briggs & Stratton Lithium-ion battery. When using battery operated machine basic safety precaution should always be followed to reduce the risk of leaking batteries and personal injury.
- Serious injury can occur as a result of the machine being pulled over the operator's foot during a fall caused by slipping or tripping.
- In the event of a trip or fall, release the handle bail immediately. Do not hold onto the machine handle bail during an accident.
- When needing to reverse with the machine, only do so once the machine has come to a complete stop and always look behind for hazards before moving.
- Do not operate the machine while under the influence of alcohol or drugs.
- Stay alert & do not operate the machine when you are tired. Pay attention to what you are doing and ensure others are aware of your task intentions before commencing.
- Before inspecting, adjusting, servicing or cleaning the machine, always stop & remove both the batteries & safety key.
- Stop the machine when crossing gravel driveways, walkways, or roads.
- If the machine starts to vibrate excessively, discontinue use until the machine has been inspected and assessed. Having a machine assessed for vibration problems generally reduces the risk for injury or product failure.
- Don't force the machine beyond its cutting capacity. The machine will perform better and safer if allowed to cut at the pace for which it is rated for.
- Do not use the machine indoors. Only store the machine indoors in a dry & secure location. Keep the machine out of reach of children.
- Use extreme care when approaching blind corners, doorways, shrubs, trees, or other objects that may obscure your view & the path of the machine.
- Do not operate the machine in any way which will allow the blades to be exposed and only use with all 4 wheels on the ground. Do not lift or carry the machine while operating.

Training

- Read the instructions carefully. Be familiar with the controls and the correct use of the machine.
- Never allow children or people unfamiliar with these instructions to use the machine. Local regulations can restrict the age of the operator.
- Never operate the machine while people, especially children, or pets are nearby.
- Keep in mind that the operator or user is responsible for accidents or hazards occurring to other people or their property.

Preparation

- While operating the machine always wear substantial footwear and long trousers. Do not operate the machine when barefoot or wearing open sandals. Avoid wearing clothing that is loose fitting or that has hanging cords or ties.
- Always wear a face mask or dust mask when operating the machine in a dusty environment.
- Thoroughly inspect the area where the machine is to be used and remove all objects which can be thrown by the machine.
- Before using, always visually inspect to see that the blade, blade bolt and the blade assembly are not worn or damaged. Replace worn or damaged components in sets to preserve balance. Replace damaged or unreadable labels.



Operation

- The machine can be powered only with a genuine Briggs & Stratton Lithium-ion battery. When using battery operated machine, basic safety precaution should always be followed to reduce the risk of leaking batteries and personal injury.
 - Operate the machine only in daylight or in good artificial light.
 - Avoid operating the machine in wet grass.
 - Always be sure of your footing on slopes.
 - Walk, never run.
 - Mow across the face of slopes, never up and down.
 - Exercise extreme caution when changing direction on slopes.
 - Do not mow excessively steep slopes.
 - Use extreme caution when reversing or pulling the machine towards you.
 - Stop the blade(s) if the machine has to be tilted for transportation when crossing surfaces other than grass, and when transporting the machine to and from the area to be used.
 - Never operate the machine with defective guards or shields, or without safety devices, for example deflectors and/or grass collector, in place.
 - Switch on the motor carefully according to instructions and with feet well away from the blade(s).
 - Do not start the machine when standing in front of the discharge opening.
 - Do not put hands or feet near or under rotating parts. Keep clear of the discharge opening at all times.
 - Do not transport the machine while the power source is running.
 - Stop the machine, and remove the safety key and battery. Make sure that all moving parts have come to a complete stop
 - whenever you leave the machine,
 - before clearing blockages or unclogging chute,
 - before checking, cleaning or working on the machine,
 - after striking a foreign object. Inspect the machine for damage and make repairs before restarting and operating the machine;
- If the machine starts to vibrate abnormally (check immediately)
- inspect for damage,
 - replace or repair any damaged parts,
 - check for and tighten any loose parts.

Maintenance and storage

- Keep all nuts, bolts and screws tight to be sure the machine is in safe working condition.
- Check the grass collector frequently for wear or deterioration.
- Be careful during adjustment of the machine to prevent entrapment of the fingers between moving blades and fixed parts or the machine.
- Always allow the machine to cool down before storing
- When servicing the blades be aware that, even though the power source is switched off, the blades can still be moved.
- Replace worn or damaged parts for safety. Use only genuine replacement parts and accessories.

Remove both the B&S 18V batteries from lawn mower prior storing or performing any maintenance activities.



SAFETY & HANDLING

Product Disposal

CORRECT DISPOSAL OF THE PRODUCT



Waste electrical products should not be disposed of with household waste. Please recycle where facilities exist. Check with your local authority or retailer for recycling advice. The battery contains material which is hazardous to you and the environment. It must be removed and disposed of separately at a facility that accepts lithium-ion batteries.



Refer to Briggs & Stratton 18V Battery & Charger manual for further information relating to battery and charger disposal.

CORRECT DISPOSAL OF THE PACKAGING



The packaging consists of cardboard and correspondingly marked plastics that can be recycled. Make these materials available for recycling.

Information about the residual risks that remain despite the inherit safe design measures, safeguarding and complementary protective measures adopted.

Emergency Contact

In the rare case a battery is damaged & any of the contents leaks or comes into contact with a persons skin, eyes, or is ingested, follow the first aid instructions inside the battery & charger manual. Seek further medical attention immediately.



WARNING

Do not store the batteries in the product. Remove them from product after use and place them in the charger.



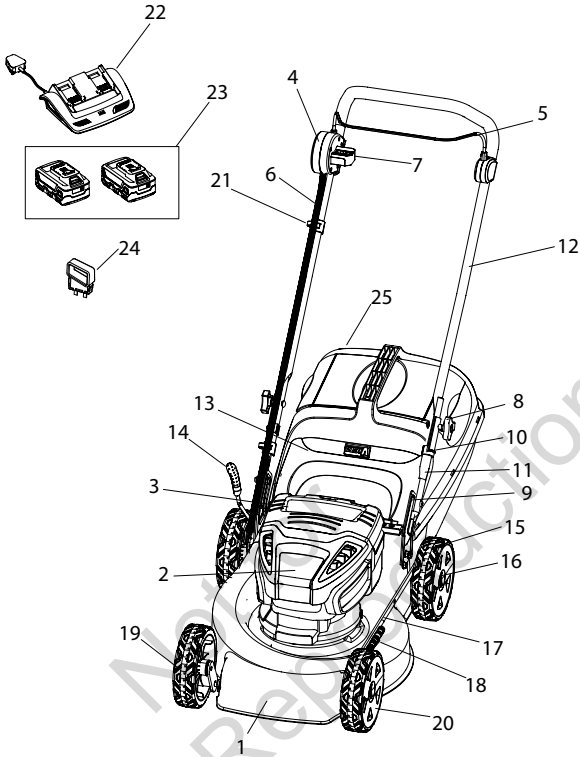
WARNING

Do not operate the product if any component is missing or damaged. Have the missing components and or products replaced.



Product Features

LAWN MOWER 18INCH 18V TWIN BATTERY



- | | |
|-------------------------------|-----------------------------|
| 1. Victa 18" Steel Lawn Mower | 13. Rear Flap |
| 2. 18V Twin Battery Powerhead | 14. Height Adjustment Lever |
| 3. Battery Cover | 15. Rear Wheel |
| 4. Control Panel | 16. Rear Wheel Hubcap |
| 5. Bail | 17. Conlink Rod |
| 6. Control Cable and Wiring | 18. Conlink Spring |
| 7. Battery Charge Indicator | 19. Front Wheel |
| 8. Handle Knob | 20. Front Wheel Hubcap |
| 9. Handle Bracket | 21. Cable Clamps x 2 |
| 10. Handle Insulation Bracket | 22. B&S 18V Twin Charger |
| 12. Upper Handle | 23. B&S 18V Batteries |
| | 24. Safety Key |
| | 25. Grass Catcher |

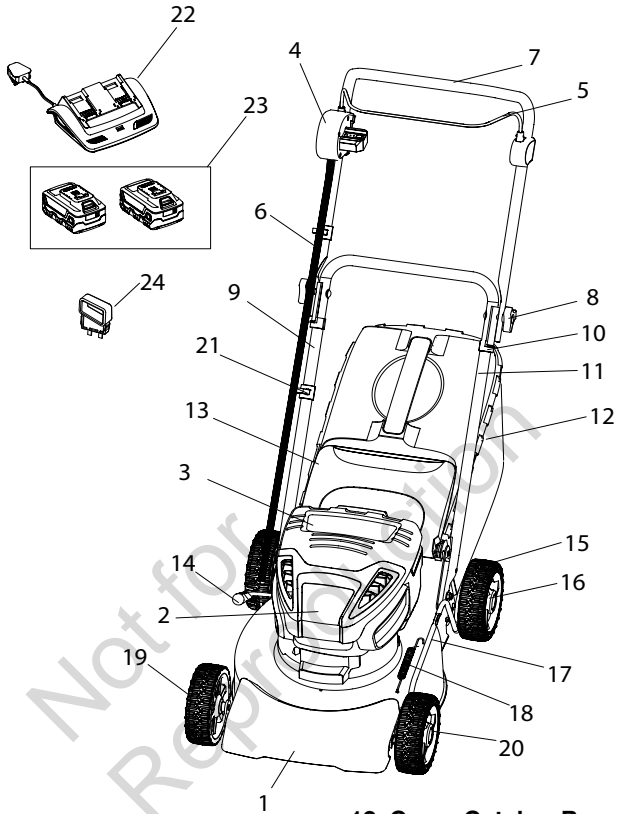
- Battery & Charger Instruction/Safety Manual (not shown)
- Mower Instruction/Safety Manual (not shown)



FEATURES & DEFINITIONS

Product Features

LAWN MOWER 16INCH 18V TWIN BATTERY



- | | |
|-------------------------------|-----------------------------|
| 1. Victa 18" Steel Lawn Mower | 12. Grass Catcher Bag |
| 2. 18V Twin Battery Powerhead | 13. Rear Flap |
| 3. Battery Cover | 14. Height Adjustment Lever |
| 4. Control Panel | 15. Rear Wheel |
| 5. Bail | 16. Rear Wheel Hubcap |
| 6. Control Cable and Wiring | 17. Conlink Rod |
| 7. Top Handle | 18. Conlink Spring |
| 8. Knob | 19. Front Wheel |
| 9. Lower Handle | 20. Front Wheel Hubcap |
| 10. Handle Insulation Bracket | 21. Cable Clamps x 2 |
| 11. Grass Catcher Top | 22. B&S 18V Twin Charger |
| | 23. B&S 18V Batteries |
| | 24. Safety Key |

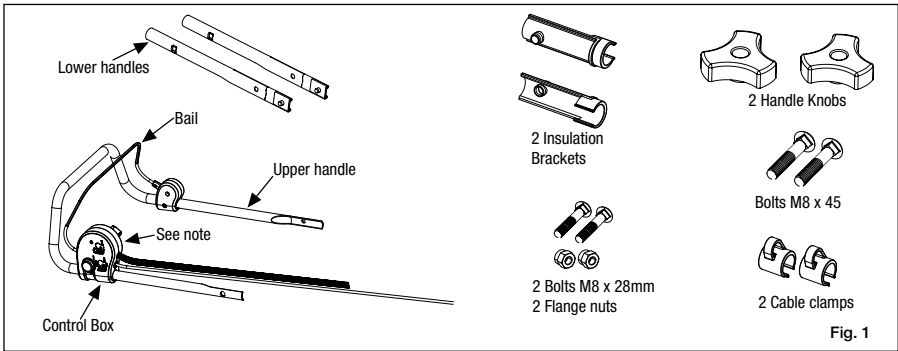
- Battery & Charger Instruction/Safety Manual (not shown)
- Mower Instruction/Safety Manual (not shown)

ASSEMBLY PROCEDURES



Handle assembly parts (18Inch Lawn Mower Models)

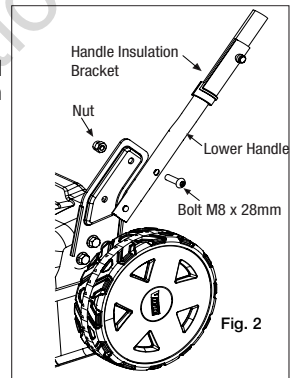
Your lawnmower should include a kit with the following parts.
Refer to the product feature pages for your lawn mower's final assembled view.



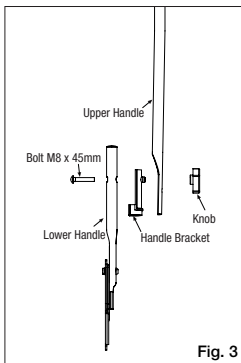
Note: The control box comes assembled to upper handle and wires connected to the power head motor on the lawn mower. Insulation brackets comes assembled on lower handle.

Attaching the lower handle (18Inch Lawn Mower Models)

1. Place lower pin through the mounting bracket, handle and saddle plate holes. Secure with the nut but do not fully tighten at this stage.
2. Repeat on other side and tighten all two nuts securely.



Attaching the upper handle (All Lawn Mower Models)



- Attach the upper handle to the lower handles using the knobs and bolts provided. The knobs should be on the outside.



Remove batteries or do not insert batteries when assembling components on lawn mower.



When folding or unfolding the handles, ensure that the cable is not caught or stretched, as that can damage the cable.



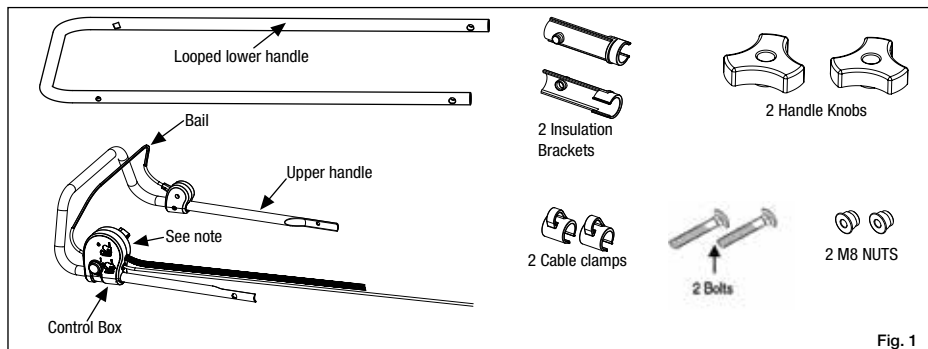
Ensure all cables and inside handles. Use the cable clamps provided.



ASSEMBLY PROCEDURES

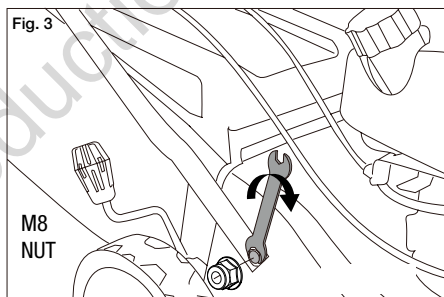
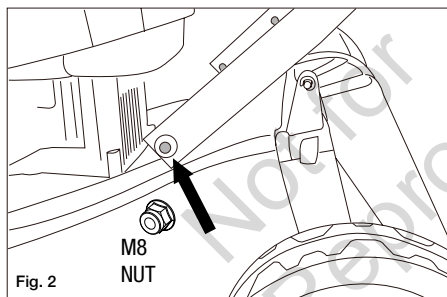
Handle assembly parts (16Inch Lawn Mower Models)

Your lawnmower should include a kit with the following parts. Refer to the product feature pages for your lawn mower's final assembled view.

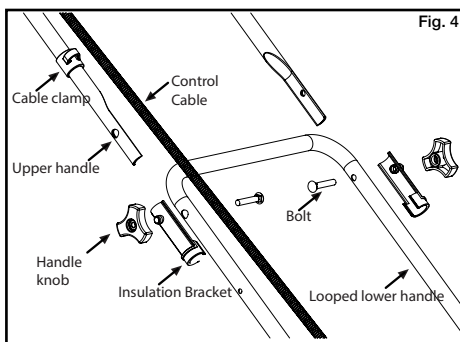


Note: The control box comes assembled to upper handle and wires connected to the power head motor on the lawn mower. Insulations brackets come assembled on lower handle.

Attaching the lower handle (16Inch Lawn Mower Models)



Attaching the lower handle (All Lawn Mower Models)



- Attach the upper handle to the lower handles using the knobs and bolts provided. The knobs should be on the outside.



Remove batteries or do not insert batteries when assembling components on lawn mower.



When folding or unfolding the handles, ensure that the cable is not caught or stretched, as that can damage the cable.



Ensure all cables and inside handles. Use the cable clamps provided.



Installing Batteries

Note: Refer to figure 1 & 2.

- Lift and hold up the battery cover.
- Place the batteries in the mower. Align guided ribs on battery with grooves in the product's battery port.
- Make sure the latch on bottom of the battery snaps in place and that the battery is fully seated (will "click" into place) and secure in the mower before beginning operation.
- Insert the safety key.
- If the machine is not going to be used immediately, do not insert the safety key.
- Close the battery cover gently to avoid damage.

Instructions for Twin Battery Lawn Mowers

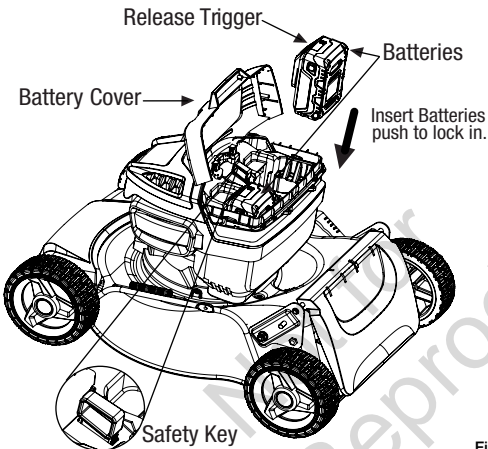


Fig. 1



Twin Battery Lawn Mower is a 36V system so it needs two B&S 18V Batteries to function.

Will not function with one battery. It is recommended that both batteries are equally charged for optimum performance.

Refer Battery Manual for further details on batteries and chargers.

Instructions for Single Battery Lawn Mowers

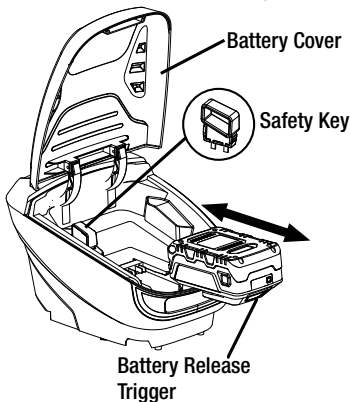


Fig. 2



Single Battery Lawn Mower is a 18V system so it needs one B&S 18V Battery to function.

Refer Battery Manual for further details on batteries and chargers.



ASSEMBLY PROCEDURES

Removing Batteries

- Release the bail to stop the product.
- Remove the safety key.
- Press and hold the battery release trigger button at the bottom of the battery.
- Slide outward to remove the battery from the product.



Do not insert any object into the battery recess other than the battery supplied.

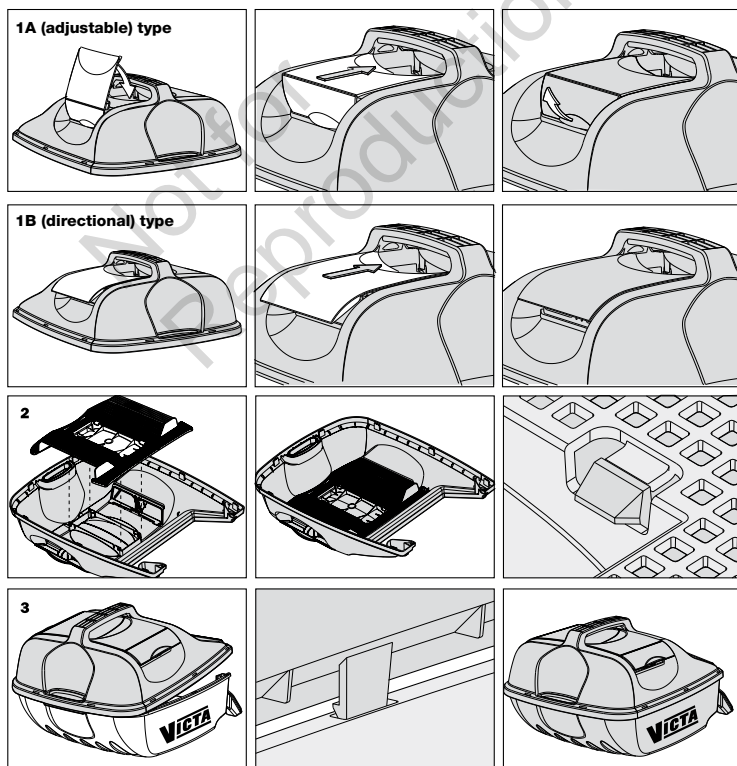
Do not force the battery. It should glide smoothly if inserted or released correctly.

Remove safety key if product has batteries installed.

Remove batteries in place in charger after use.

Do not store batteries in product.

Grasscatcher - hard/solid type





Grasscatcher - hard/solid type

Assembling the grasscatcher

- 1 Assemble the covers 1A or 1B to the top half of the grasscatcher.
- 2 Locate the centre protrusion of the mesh into the centre hole on the inside of the grasscatcher top, ensuring the curved edge of the mesh faces the rear handle. Firmly push the mesh into the top half of the grasscatcher, making sure that the four snap hooks engage securely.
- 3 Loosely locate the rear handle areas of the top and bottom grasscatcher halves then loosely locate the side edges. Check that all eight hooks from the top half are loosely located in the slots on the bottom half then firmly push the two halves together over each snap hook. Check that all of the snap hooks have engaged securely.
- 4 Tighten the two screws fitted to the front of the grasscatcher.

NOTE: Some models may have steps 1 to 3 already complete.

Grasscatcher Assembly 16Inch

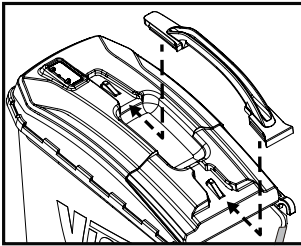


Fig. 1



Fig. 2



Fig. 3

Fitting the Hard Top Fabric Grasscatcher

- Fit and secure the catcher handle as shown in figure 1.
Note: Some models the catcher handle is not assembled.
- Raise the rear flap and hook the grasscatcher on the bar at the rear of the mower as shown in figures 2 & 3. Lower the rear flap to retain the grasscatcher.
- To remove the grasscatcher, lift the rear flap and grasp the handle on the grasscatcher and unhook from the rear bar.



STOP the motor before fitting or removing the grasscatcher.

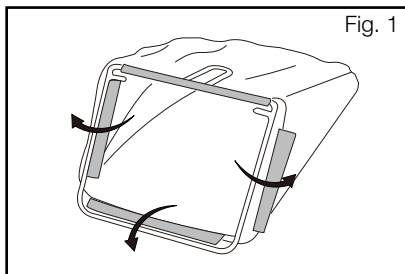
Ensure the catcher handle is securely fitted to the grasscatcher before use to prevent the grasscatcher from falling off which may cause injury or damage.

Never use the mower unless the rear flap is closed or the grasscatcher is correctly fitted.



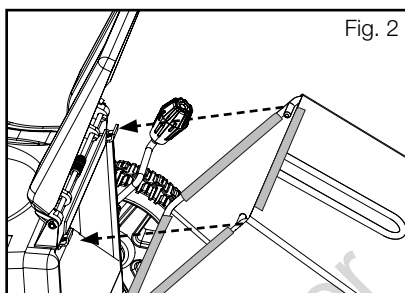
ASSEMBLY PROCEDURES

Grasscatcher - Fabric Catcher



Fitting the Fabric Grasscatcher

- Stop the engine.
- Attach the grasscatcher to the frame by fixing all plastic hooks as shown in figure 1.
- Raise the rear flap, and hook the grasscatcher onto the mower as shown in figure 2. Lower the rear flap to retain the grasscatcher.
- To remove the grasscatcher, lift the rear flap and grasp the handle on the grasscatcher and unhook from the mower.



STOP the motor before fitting or removing the grasscatcher.

Never use the mower unless the rear flap is closed or the grasscatcher is correctly fitted.



OPERATING INSTRUCTIONS

Load sensing technology

The Mower has built in load sensing technology. Under certain conditions the lawn mower detects excess load and increases the blade cutting speed. This feature takes less than second to work and will continually change speed to meet demand. This feature is provided for a seamless and smooth cut. It simulates the high torque and power feeling that the Victa petrol lawn mower is known for.

But this can also increase the motor temperature, draw excessive current from the battery and reduce the battery runtime.

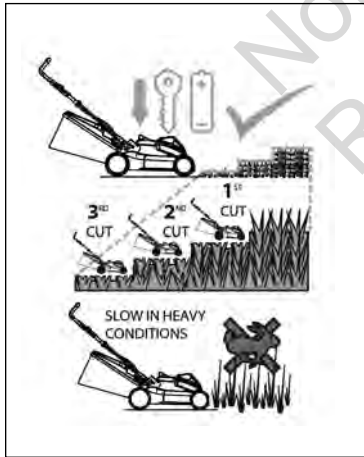
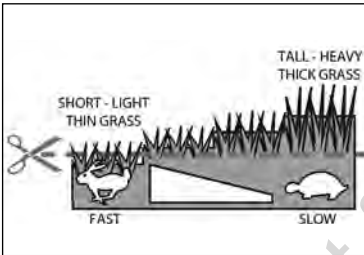
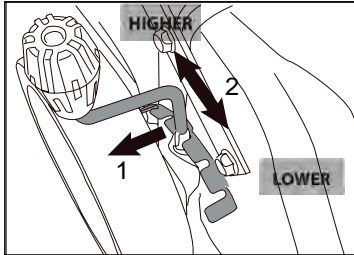
There is a high current cut off built into the lawn mower. This feature is provided to prevent burning or damaging the electric dc brushless motor. Load protection can activate the current cutoff resulting in the stalling of the lawn mower.

Avoid frequently over-loading the mower as this may increase battery temperatures & turn on the Battery Thermal Protection. The Battery Thermal Protection will require the machine to be rested sufficiently to cool.

OPERATING INSTRUCTIONS



Quick Setup Guide



1 - READY

- Remove battery or batteries & key
- Check if the grass is tall or thick
- Check catcher & deck are empty of grass
- Check the battery is fully charged

- ✗ **Don't** adjust the mower with battery or key inserted.
- ✓ Remove battery & key before adjusting the mower.
- ✗ **Don't** cut when catcher is full or if chute is blocked.
- ✓ Empty catcher prior to mowing.

2 - SET

- Increase cut height in tall or heavy grass
- Clean the catcher & deck of cut grass
- Push the mower slower in heavy grass

- ✗ **Don't** cut low in long, thick or wet grass.
- ✓ Adjust to cut higher in overgrown lawn.
- ✗ **Don't** force mower through thick lawn.
- ✓ Slow down if grass becomes thicker.

3 - GO

- Insert battery & key
- Try cutting grass at selected height
- Increase height & cut grass more frequently as required in long heavy grass
- If LOAD PROTECTION* stops the mower, repeat Step 1,2,3 by increasing the height pushing slower or clean grass from the catcher & deck.
- When mowing if catcher indicator flap is down, catcher is full.

- ✗ **Don't** continue cutting if mower frequently cuts out.
- ✓ Avoid frequent load protection cutouts.
- ✗ **Don't** continue if battery over heats.
- ✓ Allow the battery to cool if the battery thermal protection is activated.



Avoid frequently over-loading the mower as this may reduce runtime increase battery temperatures. This will result in the stalling of the lawnmower.



OPERATING INSTRUCTIONS

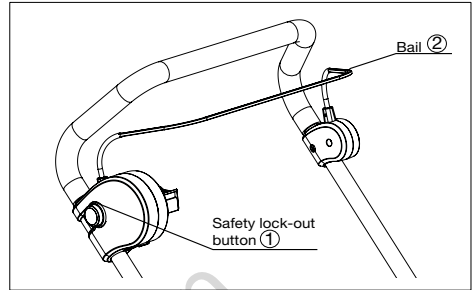
Starting & Stopping

To START the Mower:

- Open the battery cover and insert the safety key into the slot. (See Fig.)
- Press and hold the safety lock-out button (1). (See Fig.)
- Pull the bail (2) upward to the handle to start the mower and release the safety lock button with feet well away from blades.

To STOP the Mower:

- Release the bail.
- Wait for mower to completely stop, then remove safety key.



SOFT-START

This Mower is equipped with a “Soft-start” feature. When initially starting up, the mower will take approximately 3 seconds to get up to full speed. If the mower does not initially start: Remove the battery and check under the mower deck to ensure there is nothing obstructing the blade and that the blade can spin freely by hand. Even a small amount of grass on start up will prevent the “soft-start” from turning the mower on.

⚠ WARNING

Do not attempt to override the operation of E-Safety lock-out button or bail, do not lock the bail in any way.

Do not leave the mower running unattended.

Battery Capacity Indicator

NOTE: Refer individual battery for exact charge capacity percentage.

NOTE: Only available with twin battery lawn mowers.

Checking the battery capacity:

Press the battery capacity indicator (BCI) button located on the battery. The lights will illuminate according to the batteries capacity level. See chart below:

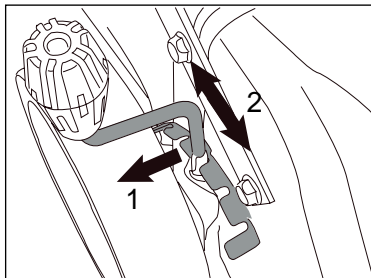
Battery Charge Display	
Press to display	
Lights	Capacity %
3 Green lights	100-60
2 Green lights	60-30
1 Green Light	30-0



NOTE: This feature is not available on all models. Only on applicable models.



Height Adjustment



- Height adjustment allows lawn to be cut at different lengths. Set cut height by adjusting the height lever.



STOP the motor before adjusting the cutting height.

Remove Safety key before adjusting the cutting height.

Mowing Tips

A sharp blade will greatly enhance the performance of the mower, especially when cutting high grass. Be sure to check the blade and to replace it at least once per year, as described in the Maintenance section.

- Verify that the lawn is free of stones, sticks, wires and other objects that could damage the blades or the motor. These objects could be accidentally thrown by the mower in any direction, and could cause serious personal injury to the operator and to others. In order to prevent electric shock, do not operate the mower in damp or wet conditions.
- When cutting thick grass, reduce walking speed in order to allow for a more effective cut and a proper discharge of the clippings.

WARNING

The mower is fitted with a current overload device, under heavy conditions the mower may cut out (or "stall") e.g. long, thick or moist lawns or some grass types. If this occurs, increase the cutting height in order to reduce the load or effort on the mower.

Mow across the face of slopes, never up & down. Exercise extreme caution when changing direction on slopes. Do not mow excessively steep slopes, always be sure of your footing on slopes.

- Set mower to the highest cutting height when mowing on uneven ground or in tall weeds.
- Walk at a steady pace. Overlap the cutting rows. Do not let the grass get too tall. If the grass gets too long, start at the highest cutting position and work down to the desired cutting height.



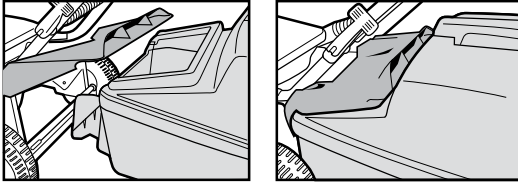
The Mower has built in load sensing technology. Under certain conditions the Mower may reset due to the LOAD PROTECTION* feature.

Avoid frequently over-loading the mower as this may increase battery temperatures & turn on the Battery Thermal Protection. The Battery Thermal Protection will require the machine to be rested sufficiently to cool.



OPERATING INSTRUCTIONS

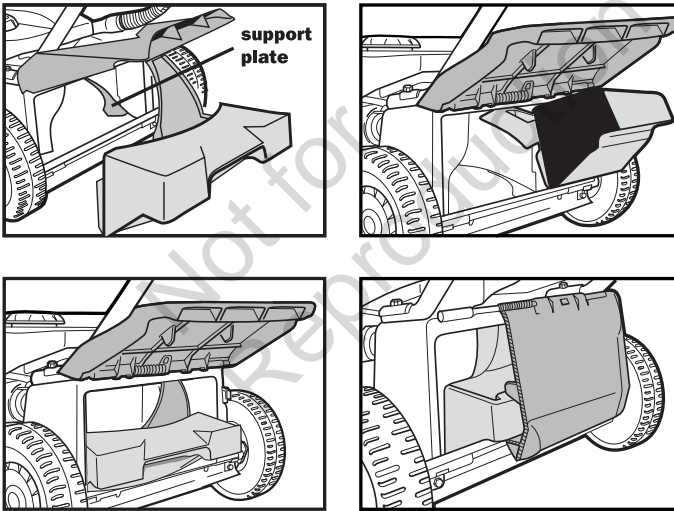
Grasscatcher - Fitting 18in & 19in models



Fitting the grasscatcher

- Stop the engine.
- Raise the rear flap. Locate the grasscatcher tongue over the rear axle and insert the grasscatcher under the rear flap.
- Lower the rear flap to retain the grasscatcher.

Mulching Plug - mulch Capable models only



- Stop the engine and set the mower height setting.
- Mulching is most effective between height settings 4 and 10.
- Lift the rear flap and identify the support plate as shown. Note the orientation of the mulching plug.
- Insert the mulching plug into the baseplate by first inserting the tongue to the right, then swinging the left side into position. The mulch plug should rest on the rear cross-member
- Ensure that the mulching plug is resting on the support plate and is positioned against the inside of the baseplate. Push the mulching plug down so that it rests flush against the rear cross member.
- Close the rear flap ensuring that it closes fully. The rear flap should rest on the mulching plug as shown in the sectional illustration.



Emptying the Grass Catcher

- Stop mower, allow blades to completely stop, and remove battery & safety key.
- Lift the rear flap.
- Lift the grass catcher by its handle to remove from mower.
- Empty grass clippings.
- Lift the rear flap and reinstall the grass catcher as described earlier in this manual.



- **Check grass catcher frequently & replace if grass catcher is worn or damaged.**
- **Do not store grass in catcher. Always empty after use.**
- **Do not use the catcher for other purposes than collecting grass.**
- **Do not mow over or collect hot materials, ashes or remains from camp fires or smouldering materials.**
- **Allow bag to dry in wet conditions.**

Cleaning

WARNING

To prevent serious personal injury remove the battery and key from the mower before servicing, cleaning, or removing debris.

The underside of the mower deck should be cleaned after each use, because grass clippings, leaves, dirt, and other debris will accumulate, which will cause rust and corrosion. Remove any build-up of grass and leaves on or around the motor cover. If debris builds up on the underside of the mower during use, stop the motor, remove the battery, and then tilt the mower forward or on its side, and scrap it clean using an appropriate tool.

- Clean the unit using a damp cloth with a mild detergent.
- Do not immerse the mower or any part of it in water.
- Moisture can cause a shock hazard. Wipe off any moisture with a soft dry cloth & ensure the machine is dry before replacing the battery & key.
- Use a small brush or vacuum cleaner to clean the air vents on the product
- Keep the air vents free of obstructions.

Do not use solvents, strong detergents, certain aromatic oils such as pine and lemon when cleaning plastic parts. Chemicals can damage, weaken or destroy plastic component which may result in serious personal injury.



MAINTENANCE & CARE

Storing the Lawn Mower

The following steps should be taken in order to prepare the machine for storage.

- Clean the machine as described in the previous section.
- Inspect the blade, and replace it or sharpen it, if required (refer to the Maintenance section).
- Store the mower in a dry, clean location. Do not store it next to corrosive materials, such as fertilizer or fuel.
- Store the mower indoors, in a cool, dry place, out of the reach of children. The handle may be folded away completely for storage.
- Release the handle locks on the sides of the handle to unlock, and fold the upper handle down.
- Release the lower handle locks to unlock and disengage the cams from the mounting bracket. Fold the lower handle forward. Make sure not to bend or kink the power cord.
- Remove the batteries and store it in a cool dry location.

WARNING

Refer to Briggs & Stratton 18V Battery & Charger manual for further information relating to battery and charger disposal.

WARNING

Do not operate the product if any component is missing or damaged. Have the missing components and or products replaced.

WARNING

Do not store the batteries in the product. Remove them from product after use and place them in the charger.



Blade Replacement 18in & 19in models

For Your Safety

- Before starting the mower check blades and bolts for damage or wear.
- Victa recommends that all maintenance, repair and inspection work be carried out by a Victa Authorised Service Centre.
- Work from the grasscatcher flap.

With the rear flap secured, in a raised position undo the blade nut, applying upward pressure to the bolt head into the blade disc. (the head of the bolt will not rotate due to the diamond shape in the underside of the head).

Assembly: Fit as per the drawing remembering to push the head of the bolt into the blade disc (this will stop the bolt head from turning). Ensure correct order of assembly.

- We recommend changing blades, bolts, nuts and washers as a set. Metal fatigue and damage may occur which may not be visible to the operator. Always replace all blades to ensure correct balance, reducing vibration and wear.
- **Always turn the nut to check tightness, not the bolt.**



Use only genuine replacement parts made and guaranteed by Victa. Insist on them from your parts and service dealer. Detailed fitting instructions are printed on genuine Victa blade packs. Use of non-genuine blades may void your warranty, and could result in damage or injury.

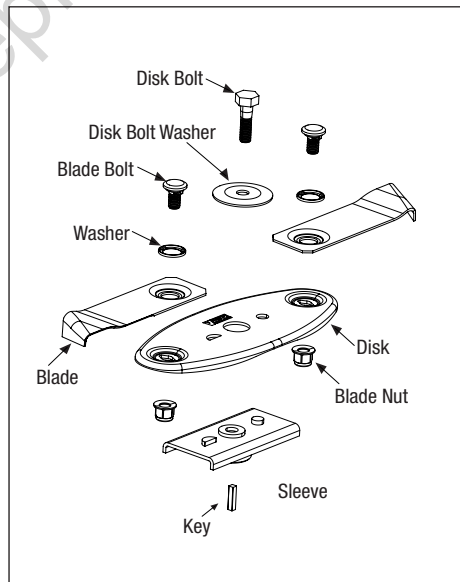


Refer to the Briggs & Stratton 18V Battery & Charger instruction manual for further information relating to battery & charger use, servicing, storage and safety.



Always protect hands by wearing heavy gloves and/or wrapping the cutting edges of the blade with rags and other material when performing blade maintenance. Contact with the blade could result in serious personal injury.

Never modify the blades or cutting system.





MAINTENANCE & CARE

Blade Replacement

For Your Safety

- Never use the mower unless the grasscatcher or the guards supplied by the manufacturer are in position.
- Before starting the mower check blades and bolts for damage or wear.
- If you strike an obstruction, stop the engine and check the blades for damage.

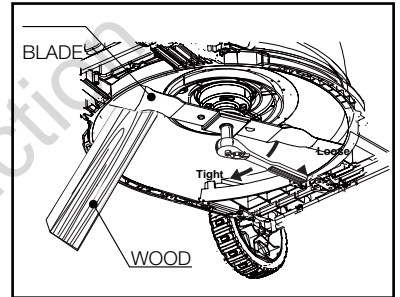
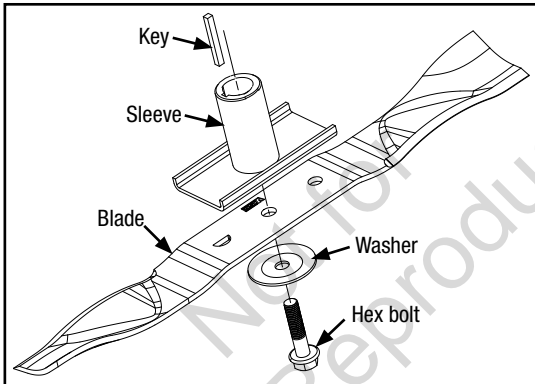


Worn and damaged blades are major hazards.

WARNING: Periodically inspect the blade adaptor for cracks, especially if you strike a foreign object. Replace when necessary.

Use only genuine replacement parts made and guaranteed by Briggs & Stratton. Insist on them from your parts and service dealer.

Detailed fitting instructions are printed on genuine Briggs & Stratton blade packs. Use of non-genuine blades may void your warranty, and could result in damage or injury.



- Before reassembling the blade and the blade adaptor to the unit, lubricate the engine crankshaft and the inner surface of the blade adaptor with light oil. Install the blade adaptor on the crankshaft. Refer to the figure above. Place the blade with the part number facing away from the adaptor. Align the washer over the blade, insert the hex bolt and securely tighten.

Note: Your service dealer will assist you with blade replacement to ensure correct assembly and is safely fitted by tightening to the correct torque value.



WARNING

Always protect hands by wearing heavy gloves and/or wrapping the cutting edges of the blade with rags and other material when performing blade maintenance. Contact with the blade could result in serious personal injury.

Never run mower without blades or with damaged blades.

Never modify the blades or cutting system.



Blade Bar Replacement Cont'd

NOTE: Check all fasteners often, always be sure mower is in safe operating condition. Only use VICTA genuine replacement blades. Replace worn or damaged blades and bolts in sets to preserve balance.

1. Stop the mower and allow the blade to come to a complete stop.
2. Remove the battery and safety key.
3. Turn the mower on its side.
4. Wedge a block of wood between the blade and mower deck to prevent the blade from turning (Refer to Fig).
5. Loosen the blade bolt by turning it counterclockwise (as viewed from bottom mower) using a wrench or socket (not provided).
6. Remove the blade bolt and blade (Refer to Fig).
7. To install the blade locate the two mounts on the shaft sleeve. These are marked in circles in Fig. Align the blade with these two mounts.
8. Install the blade on the shaft carefully. Blade must fit onto these two mounts properly. Make sure there is no gap. Refer to Fig.
9. Screw the blade bold and tighten to fix the blade.

Battery Replacement

Never dispose of battery in fire or regular household trash.

Refer to Battery & Charger instruction manual for further information relating to battery and charger safety and disposal.

Service

Servicing requires extreme care and knowledge and should be performed only by a qualified service technician. For service we suggest you return the product to your nearest Authorized service centre for repair. When servicing, use only genuine replacement parts.

- Keep the handles dry, clean, and free of oil and grease.
- In order to reduce the risk of fire, keep the motor free of grass, leaves, and debris build-up.
- Check the blade and motor mounting bolts for proper tightness frequently. Visually inspect blade for damage (e.g., bent, cracked, or worn).
- For best and safest performance, maintain the mower with care. Keep the mower blade sharp and clean. Mower blades are sharp, and can cut. Wrap the blades or wear gloves, and use extra caution when servicing.
- Keep all nuts, bolts, and screws tight in order to be sure that the equipment is in safe working condition.



MAINTENANCE & CARE

Maintenance Chart

Features	Requirements	Before use	After use	Recharging	Weekly	Monthly	If faulty	If damaged	As required
Lawnmower	Visual inspection.	●		●					
Battery	Check operation and for damage.	●	●						
Cutting system	Inspect and check assembly	●							
(Blades)	Replace						●	●	
Rear flap	Inspect and check assembly	●							●
Chassis	Check for buildup of grass		●						
	Clean		●						
	Replace							●	
All accessible fasteners	Check	●							
	Retighten								●
Motor mounting bolts	Check and retighten					●			
Mulching Plug (If available)	Inspect and check assembly	●							●
Grasscatcher	Check	●							
	Clean		●						
	Replace							●	



Before carrying out maintenance, remove the batteries and safety key.

Never attempt maintenance that is not outlined in this manual. All repair work must be carried out by an Victa Authorised Service Centre.

- Never tamper with safety devices. Check them regularly for proper operation.

NOTE: Refer to warranty card supplied with this product for service contact details.

Do not at any time let brake fluids, gasoline, petroleum based products, penetrating oils, etc, to come in contact with plastic parts. Chemicals can damage, weaken, or destroy plastic which may result in serious personal injury.

Do not lubricate any of the wheel components. Lubrication may cause the wheel components to fail during use, which could result in serious personal injury to the operator and/or mower or property damage.



Troubleshooting

PROBLEM	POSSIBLE CAUSE	SOLUTION
The mower does not start.	The battery is not charged.	Charge the battery.
	The safety key is defective.	Replace the safety key.
	Grass wrapped on blades, grass catcher jammed.	Remove battery, check under deck & grass catcher for clogged grass.
	The battery is not fitted correctly.	Check fitment of battery, ensure retaining tab is engaged correctly.
	Battery may require service or replacement.	Replace battery.
	Safety key is not installed.	Insert the safety key.
The mower cuts the grass unevenly.	The lawn is rough or uneven.	Check the mowing area.
	The cutting height is not set properly.	Increase / decrease the cutting height.
The mower does not mulch properly.	Wet grass clippings are sticking to the underside of the deck.	Wait until the grass dries before mowing.
	The mulch plug is missing.	Install the mulch plug.
The mower is hard to push.	The grass is too tall, or the cutting height is too low.	Raise the cutting height.
	The rear of the mower housing and the blade are dragging in thick grass.	Empty the grass clippings from the grass catcher.
The mower is excessively noisy and vibrates.	The motor shaft is bent.	Stop the motor, and inspect for damage.
	The blade is unbalanced.	Repair before restarting. If vibration persists, contact authorized service centre.
The mower cuts out ("stalls") when cutting grass.	The mower blade is overloaded due to mowing conditions, e.g. long, thick, moist grass or the grass type.	Stop the motor, increase the cutting height and try to cut again. Wait for the grass to dry and attempt mowing again.
	The mower grass catcher is full / catcher outlet is blocked / clogged grass under deck	Empty catcher bag & clear catcher outlet, clean under the deck, increase height and try again.



TECHNICAL SPECIFICATIONS

Specifications

PRODUCT SPECIFICATIONS			
Description	MWR 18IN CRVT 18V TWIN	MWR 16IN CRVT 18V TWIN	
Model Number	2691861	2691891	
Applicable Batteries	B&S 18V 4Ah or greater	B&S 18V 4Ah or greater	
Battery Qty	2	2	
Deck Type	Steel	Steel	
Deck Size	18 Inch	16 Inch	
Front Wheel Size	8Inch	6.5"	
Rear Wheel Size	8Inch	6.5"	
Wheel Bearing	Yes	Yes	
Catcher Capacity	42L	40L	
Catcher Material	Hybrid(Plastic Top/Fabric Bag)	Hybrid(Plastic Top/Fabric Bag)	
Mulch	No	No	
Push/Self Proppelled	Push	Push	
Blade Disk	Yes	No	
Blade Size	18 Inch	16 Inch	
Blade Type	2 Swivel back blades	Blade Bar	
Blade Fitment Torque	25-30Nm	25-30Nm	
Handle Type	Comfort	Comfort	
Motor Type	DC Brushless	DC Brushless	
Motor Specifications	36V - 1200W	36V - 900W	
Motor Shaft Diameter	22.2mm	22.2mm	
Start System	Soft Start	Soft Start	
Load Sensing	Yes, 3200 to 3500RPM <1Sec	Yes, 3200 to 3500RPM <1Sec	
Safety Mechanisms	Yes, Thermal and Current	Yes, Thermal and Current	
Max Motor Speed	3500RPM	3500RPM	
Running Speed	3200RPM	3200RPM	
Sound Power Level (Mesured)	92 LWA	90LWA	
Weight (No Battery)	30Kg	26Kg	
Weight (Packaged)	35Kg	30Kg	

Not for
Reproduction

©2021 Briggs & Stratton Australia Pty Ltd

No part of this booklet may be reproduced by any means without prior written permission.
All information herein is subject to change without notice.

VICTA is a registered trademark of Briggs & Stratton Australia.