

# **VICTA**<sup>®</sup>

Not for  
Reproduction

**18V LITHIUM-ION  
SINGLE BATTERY  
CORDLESS LINE TRIMMER  
ASSEMBLY & OWNER'S MANUAL**



**WARNING!** Read this manual before operating your product.



# IMPORTANT NOTES

## Details

Thank you for purchasing your Victa product. Victa prides itself in the quality and performance of all its products.

This instruction manual will aid in the assembly, safe operation and maintenance of your product. Please read the following warnings to ensure safety and the long life of your product.

### **WARNING**

Do not attempt to operate this product until you have read thoroughly and understood completely all instructions, safety rules, etc, contained in this manual. Failure to comply may result in accidents involving electric shock, fire, and/or serious personal injury.

### **INTENDED USE**

This product is intended for domestic purposes. This product is not intended for brushcutting or commercial use. Do not use the product for any task, except for that which it is intended.

### **General safety**



**Warning!**



Read the instruction manual before use to reduce risk of injury



Wear safety goggles and ear protection that meet safety standards.



Wear sturdy, non-slip footwear.



Wear safety gloves.



Do not use machine in wet conditions, protect the machine from rain and damp.



Be careful of objects being thrown out!



Ensure bystanders are kept at least 50' (15m) away & stop the machine if approached.



Batteries contain Li-ion. Do not dispose of waste batteries in domestic waste. Contact local authority to find out how to dispose of batteries appropriately.



Beware of electric shock hazard when charging.



Read the directions before carrying out any adjustment & maintenance work.



Wait for all components of the machine to completely stop & remove the battery.



Do not use rigid cutting disk or metal blades.



Should NOT be disposed of with house hold items.



Keep away from heat and/or open flame.



Do not throw into water.



Ambient temperature 40°C Max.










Keep bystanders away.



Keep hands away from cutting area while operating.



## Table of Contents

	Features & Definitions		
		Features & supplied items	3
	Safety & Handling		
		General/Electrical/Personal safety	4
		Power Tool use and care	5
		Battery use and care	6
		Product Disposal	7
	Assembly Procedures		
		Unpacking	7
		Handle Assembly	8
		Guard Assembly	8
		Trimmer line Assembly	9
		Cutting Head Assembly	11
	Operating Instructions		
		Operating the machine	12
		Installing & removing the Battery	12
		Start & stopping	12
		Speed adjustment	13
		Feeding Bump Head Line	15
	Maintenance & Care		
		Cleaning	16
		Storing	16
		Maintenance chart	17
		Service	17
	Troubleshooting		
		Troubleshooting	18
		Indication Panel	18
	Technical Specification		
		Product specification	19

**NOTE: WARRANTY DETAILS ARE NOT WRITTEN WITHIN THIS OPERATOR'S MANUAL. REFER TO OTHER DOCUMENTS SUPPLIED WITH THIS MACHINE FOR WARRANTY DETAILS.**

**THE WARRANTY DOCUMENTS MAY INCLUDE TECHNICAL SPECIFICATIONS THAT ARE SPECIFIC TO EACH MODEL THAT ARE NOT WRITTEN WITHIN THIS OPERATOR'S MANUAL.**

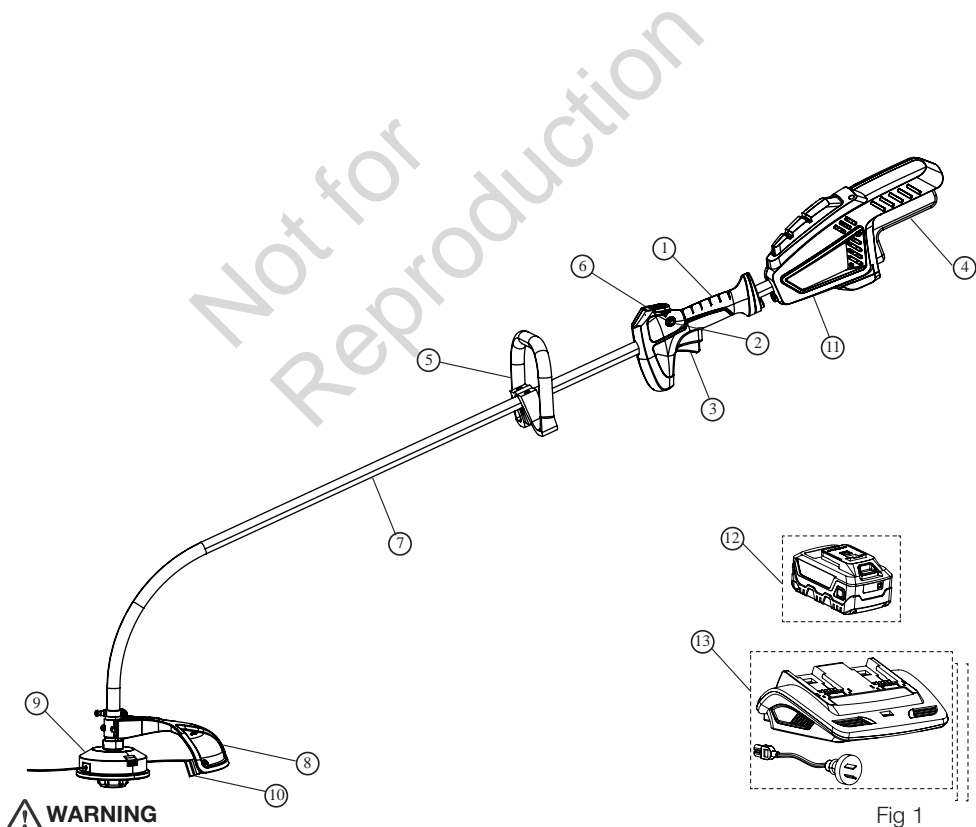


# FEATURES & DEFINITIONS

## Features & Supplied Items - 18V Single Battery Line Trimmer

NOTE: Refer to figure 1.

- 1 Operating Handle
  - 2 On/Off Switch
  - 3 Throttle Trigger
  - 4 Battery Housing
  - 5 Front Handle
  - 6 Speed adjustment panel
  - 7 Shaft
  - 8 Trimmer Guard
  - 9 Bump Head
  - 10 Cut-off Blade
  - 11 Motor Housing
  - 12 Battery (not included with all products)
  - 13 Battery Charger (not included with all products)
- Grass Trimmer Instruction/Safety Manual (not shown)  
- Battery & Charger Instruction/Safety Manual (not shown)



**WARNING**

Do not operate the product if any component is missing or damaged. Have any missing or damaged components repaired or replaced.



## General Safety

### WARNING

Read all safety warnings, instructions, illustrations and specifications provided with this power tool. Failure to follow instructions listed below may result in electric shock, fire and/or serious injury.

Save all warnings and instructions for future reference.

The term "power tool" in the warnings refers to your battery-operated (cordless) power tool.

## Work Area Safety

- **Keep work area clean and well lit.** Cluttered or dark areas invite accidents.
- **Do not operate power tools in explosive atmospheres, such as in the presence of flammable liquids, gases or dust.** Power tools create sparks which may ignite the dust or fumes.
- **Keep children and bystanders away while operating the power tool.** Distractions can cause you to lose control.
- **Thoroughly inspect the area where the machine is to be used. Remove all stones, sticks, wire, bones, toys, and other objects that could be tripped over or thrown by the cutting mechanism.** Thrown objects can cause serious personal injury.

## Electrical Safety

- **Avoid body contact with earthed or grounded surfaces such as pipes, radiators and refrigerators.** There is an increased risk of electric shock if your body is earthed or grounded.
- **Do not expose the power tool to rain or wet conditions.** Water entering the power tool will increase the risk of electric shocks.

## Personal Safety

- **Stay alert, watch what you are doing and use common sense when operating the power tool. Do not use the power tool while you are tired or under the influence of drugs, alcohol or medication.** Reduced concentration while operating the power tool may result in serious personal injury.
- **Use personal protective equipment. Always wear eye protection.** Protective equipment such as a dust mask, non-skid safety shoes, hard hat or hearing protection used for appropriate conditions will reduce personal injuries.
- **Prevent unintentional starting. Ensure the switch is in the off-position before inserting the battery pack, picking up or carrying the tool.** Carrying power tools with your finger on the switch may cause accidental starts.
- **Remove any adjusting key or wrench before turning the power tool on.** A wrench or key left attached to a rotating part of the power tool may result in personal injury.
- **Do not overreach. Keep proper footing and balance at all times.** This enables better control of the power tool in unexpected situations.
- **Do not wear loose clothing or jewellery. Keep your hair and clothing away from moving parts.** Loose clothes, jewellery or long hair can be caught in moving parts.
- **Do not operate this machine in bare feet, or while wearing sandals or lightweight (e.g. canvas shoes) Wear long trousers & heavy shoes.**



# SAFETY & HANDLING

- Do not let familiarity gained from frequent use of similar power tools allow you to become complacent and ignore safety principles. A careless action can cause severe injury.
- Do not use the machine indoors. Only store the machine indoors in a dry & secure location. Keep the machine out of reach of children.
- Do not use the machine in a rush. Always walk & never run with the machine.

## Power Tool Use and Care

- The power tool should be operated only with a genuine Briggs & Stratton 18V Lithium-ion battery. When using battery powered power tool, basic safety precaution should always be followed to reduce the risk of leaking batteries and personal injury.
- Do not force the power tool and always use the correct power tool for your application. The correct power tool will do the job better and safer if it was designed to do so.
- Do not use the power tool if the switch does not turn it on and off safety. Any power tool that cannot be controlled with the switch is dangerous and must be repaired before use.
- Remove the battery pack from the power tool before changing accessories storing power tools or when not in use.
- Store idle power tools out of the reach of children and do not allow persons unfamiliar with the power tool or these instructions to operate the power tool. Power tools are dangerous in the hands of untrained users.
- Maintain power tools and accessories. Check for misalignment or binding of moving parts, breakage of parts and any other condition that may affect the power tool's operation. If damaged, repair the power tool before use.
- Keep cutting tools sharp and clean. Properly maintained cutting tools with sharp cutting edges are less likely to bind and are easier to control.
- Use the power tool and accessories in accordance with these instructions, taking into account the working conditions and the work to be performed. Use of the power tool for operations different from what it is intended for may be hazardous.
- Keep handles and grasping surfaces dry, clean and free from oil and grease. Slippery handles and grasping surfaces do not allow for safe handling and control of the tool in unexpected situations.
- Become familiar with all controls and their proper operation before using the power tool. Know how to stop the power tool and how to disengage the power in an emergency.
- If the power tool starts to vibrate excessively, discontinue use until the machine has been inspected and assessed. Having a power tool assessed for vibration problems generally reduces the risk for injury or product failure.
- Do not point the power tool in the direction of people or pets.
- Power tool must be completely assembled before attempting to start operation.
- Have your power tool serviced by a qualified repair person using only identical replacement parts. This will ensure that the safety of the power tool is maintained.
- Never service damaged battery packs. Service of battery packs should only be performed by the manufacturer or authorized service providers.



## Battery Use and Care

- **Only use machine with Briggs & Stratton 18V Batteries and Chargers.**
- **Recharge only with the charger specified by the manufacturer.** A charger that is suitable for one type of battery pack may create a risk of fire when used with another battery pack.
- **Use power tools only with specifically designated battery packs.** Use of any other battery packs may create a risk of injury and fire.
- **When battery pack is not in use, keep it away from other metal objects, like paper clips, coins, keys, nails, screws, or other small metal objects that can make a connection from one terminal to another.** Shorting the battery terminals together may cause burns or a fire.
- **Under abusive conditions, liquid may be ejected from the battery. If this happens, avoid contact. If contact accidentally occurs, flush with water and if it comes in contact with eyes, seek medical help.** Liquid ejected from the battery may cause irritation or burns.
- **Do not use a battery pack or tool that is damaged or modified.** Damaged or modified batteries may exhibit unpredictable behaviour resulting in fire, explosion or risk of injury.
- **Do not expose a battery pack or tool to fire or excessive temperature.** Exposure to fire or temperature above 130°C may cause explosion.
- **Follow all charging instructions and do not charge the battery pack or tool outside the temperature range specified in the instructions.** Charging improperly or at temperatures outside the specified range may damage the battery and increase the risk of fire.

Not for  
Reproduction



# SAFETY & HANDLING

## Product Disposal

### CORRECT DISPOSAL OF THE PRODUCT



Waste electrical products should not be disposed of with household waste. Please recycle where facilities exist. Check with your local authority or retailer for recycling advice.

The battery contains material which is hazardous to you and the environment. It must be removed and disposed of separately at a facility that accepts lithium-ion batteries.



**Refer to Briggs & Stratton 18V Battery & Charger manual for further information relating to battery and charger disposal.**

### CORRECT DISPOSAL OF THE PACKAGING



The packaging consists of cardboard and correspondingly marked plastics that can be recycled. Make these materials available for recycling.

## Emergency Contact

In the rare case a battery is damaged & any of the contents leaks or comes into contact with a persons skin, eyes, or is ingested, follow the first aid instructions inside the battery & charger manual. Seek further medical attention immediately.



# ASSEMBLY PROCEDURES

## Unpacking

This product requires assembly.

- Carefully remove the product and any accessories from the box. Make sure that all items listed in the packing list are included. Refer to pages 3.
- Do not discard the packing material until you have carefully inspected and ensured product is in correct operating condition.



**WARNING:** Do not attempt to modify this product or create accessories not recommended for use with this product. Any such alteration or modification is misuse and could result in a hazardous condition leading to possible serious personal injury.

Do not operate the machine unless assembly is complete including guards, handles & harness.

Do not install the battery in the product before finishing the complete assembly.

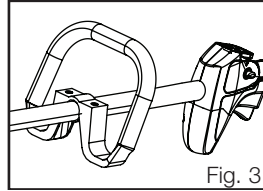
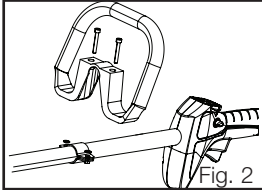




## Handle Assembly

### Fitting the handle

1. Remove all the screws from the handle. (Fig.2)
2. Position brackets on Shaft and tighten the screws.(Fig.3)

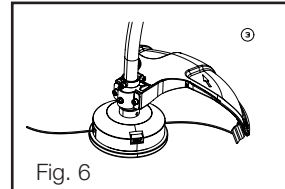
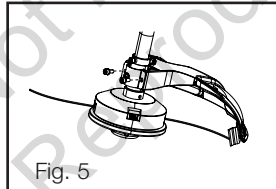
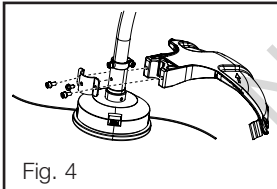


**CAUTION! Not too loose or too tight. Over tightening may damage the unit.**

## Guard Assembly

### Fitting the bent shaft guard

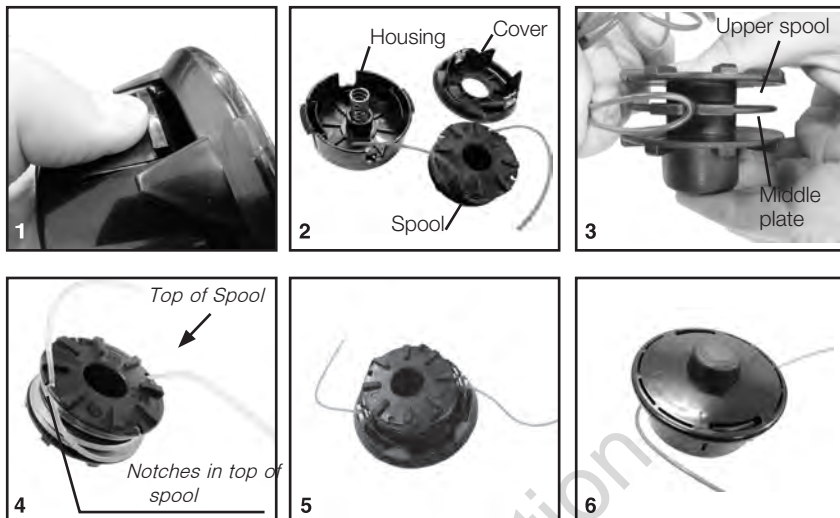
1. Remove screws and bracket from guard. (Fig 4).
2. Place the guard as shown below, using the centre screw to align the location. (Fig 5).
3. Now, fasten the 2 other screws firmly. (Fig 6).





# ASSEMBLY PROCEDURES

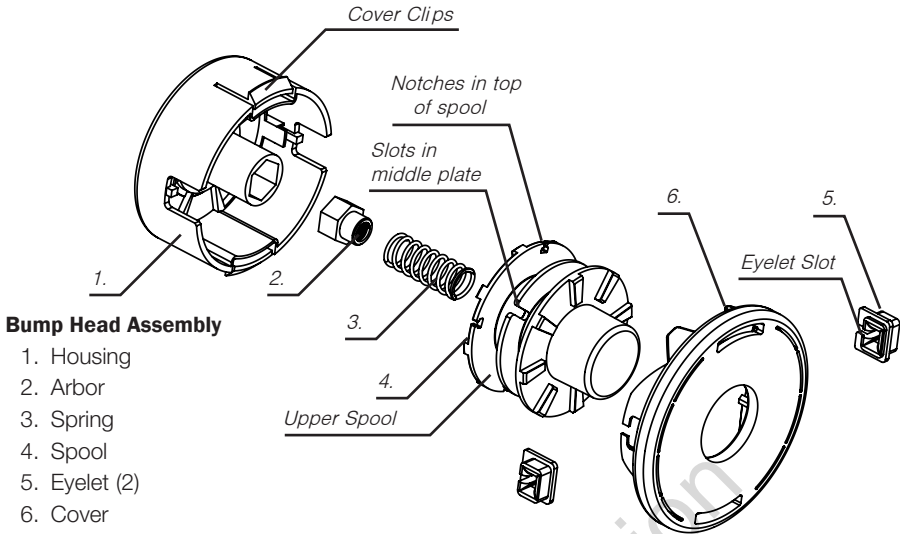
## Trimmer Line Assembly - Bump Head



1. Press two cover clips inwards on the housing & remove the cover slowly.
  2. Remove the remains of worn line from the spool (if any remains).  
**Note:** Remaining line may be sufficient to rewind and reuse if it has been tangled or has retracted back into the housing.  
**Note:** Ensure inside of housing and spool are clean and free of grass & soil before refilling.
  3. Fold the full length of line in the centre and insert the centre fold into one of the slots in the spool middle plate.
  4. Wind the upper half of the line tightly '**ANTI-CLOCKWISE**' onto the upper spool.  
**Note:** '**ANTI-CLOCKWISE**' direction when looking at the top of the spool as shown by the arrow in Fig.4.
  5. Continue winding until approximately 10cm remains at the end of the line and hold line end by locking into one of the four notches on the top of the spool. Refer Fig. 4.
  6. Repeat process with other half of the line winding in the **SAME DIRECTION** on the lower spool and hold the line end in an opposite notch.
  7. Put the spool back into the cover. Remove one end of the line from the spool notch & push it into an Eyelet slot. Repeat for the other end of the line into the opposing Eyelet slot. Pull both ends of line tightly through the eyelets to remove any excess slack in spool winding.
  8. Push the spool and cover back into the housing so that the housing clips align with the cover and clicks back into place.
- \* The bump head can be fitted with line diameters from 2.0mm to 3.0mm. The maximum length of the line that can fit the head varies according to the line diameter. Do not overfill the head spool with excessive lengths of line as it will result in ineffective spool feeding of line.

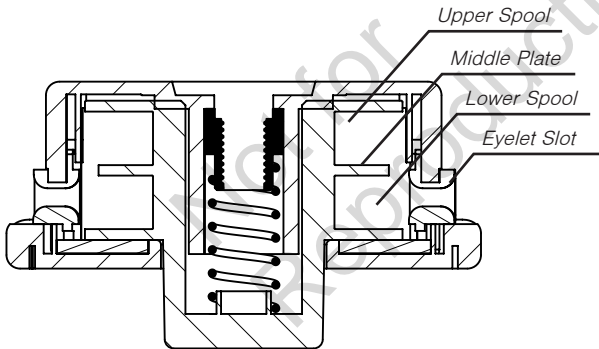


## Trimmer Line Assembly - Bump Head



### Bump Head Assembly

1. Housing
2. Arbor
3. Spring
4. Spool
5. Eyelet (2)
6. Cover



Nylon line will deteriorate over time and may require replacement if line breakages and cut performance is not satisfactory

Do not operate the bump head with parts missing such as the spring or eyelets



Do not operate the bump head if the cover is not secured by the Cover Clips.

Do not operate the bump head if components are damaged or excessively worn.



# ASSEMBLY PROCEDURES

## Cutting Head Assembly



Always ensure the line cutting blade on the guard is covered when fitting, changing or removing the trimmer head.



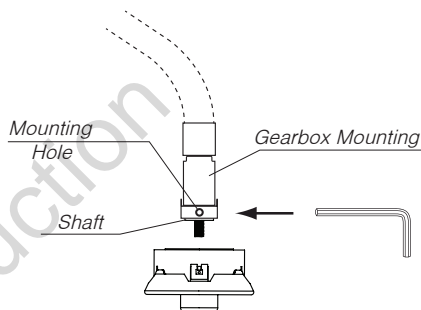
Never operate the machine without a cutting head fitted.

Never fit an alternative cutting head that has not been recommended by the manufacturer.

## CUTTING HEAD REMOVAL & REPLACEMENT

### BENT SHAFT CUTTING HEAD

1. Cover the cutting blade with protector.
2. Align hole in Gearbox Mounting & slot on the shaft.
3. Insert Allen Key into hole & firmly support to lock shaft rotation.
4. Grip the head & rotate **anti-clockwise** to remove.
5. Refit preferred head in reverse order & firmly tighten.



## Before Starting



Check the position & operation of controls to ensure you are comfortable before you start using the machine. Triggers, starter cord and grip position should provide smooth operation, balance and comfort before starting the machine. Check that all screws are securely fastened and also check all the safety devices.



Always use the shoulder strap when using the machine. Switch off the powerhead unit before you take off the shoulder strap.

Check the machine for the following each time before use:

- That the cutting unit and all safety devices are in perfect condition
- That all screws are securely fastened



## Operating The Machine

Hold the machine with your right hand on the rear handle and your left hand on the front handle. Keep a firm grip with both hands while in operation. The machine should be held at a comfortable position with the rear handle about hip height. Always operate the machine at full throttle. If debris becomes wrapped around the cutting head, release the trigger, remove battery and then remove the debris.

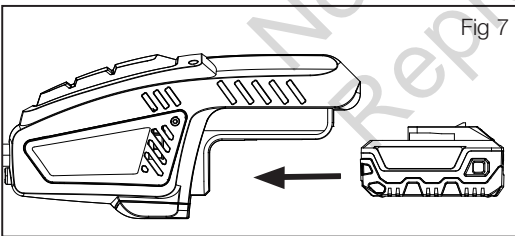
### **WARNING**

- Position the unit on the operator's right side & never operate unit with the bottom of the motor above waist level.
- Reverse hand orientation if left hand use is desired.

## Installing & Removing the Battery

### **NOTE: Refer to figure 7**

- Align the guide ribs on battery with grooves in the machine's battery port.
- Push the battery in the line trimmer battery housing.
- Make sure the latch on bottom of the battery snaps in place and that the battery is fully seated (will "click" into place) and secure in the machine before beginning operation.
- If the machine is not going to be used immediately, remove the battery.
- To remove the battery, press the release trigger on the battery and pull it out from machine. Refer battery manual to locate the release trigger.



### **WARNING**

Remove batteries from machine when not in use.

## Starting & Stopping

### **PRESENCE SWITCH (Fig. 9)**

The presence switch reduces the possibility of accidental starting. The presence switch is located on the handle above the trigger. The presence switch must be pushed in before you pull the trigger. The lock resets each time the trigger is released.



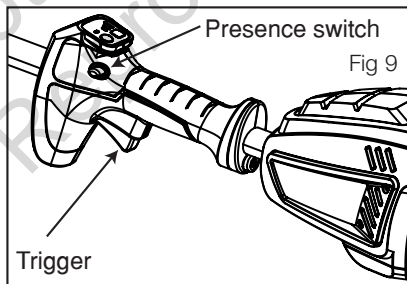
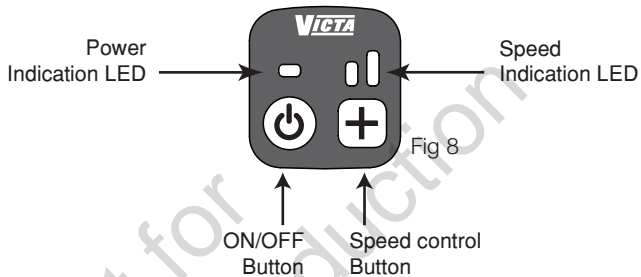
# OPERATING INSTRUCTIONS

## STARTING the machine:

- Push and hold the ON/OFF Button on the Indication Panel (Fig. 8) until the Green LED appears.
- Push the presence switch and hold it in place (Fig. 9).
- While the presence switch is held, squeeze the throttle trigger to start the machine (Fig. 9)
- Release the presence switch while keeping the throttle trigger squeezed.
- Allow few seconds for the cutting head to reach max RPM.

## STOPPING the machine:

- Release the throttle trigger.
- Allow cutting head to come to a complete stop.
- Remove battery from the machine.



## Speed Adjustment

Speed settings can be adjusted by pressing the speed control button (Fig. 10) when the machine is turned on.

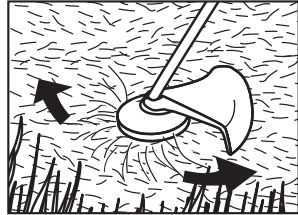
Note: When the highest speed setting is activated, pressing the speed control button again will revert the speed setting back to the lowest speed.



## Trimming Procedures

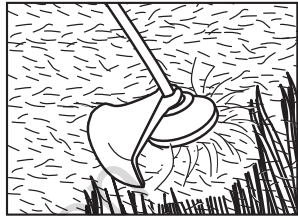
### Trimming / Mowing

- Swing trimmer with a sickle-like motion from side to side. Do not tilt the cutting head during the procedure. Test area to be trimmed for proper cutting height. Keep string head at same level for even depth of cut.



### Fence / Foundation Trimming

- Approach trimming around chain link fences, picket fences, rock walls and foundations slowly to cut close without whipping string against the barrier. If the string comes in contact with rock, brick walls, or foundations, it will break or fray. If string snags fencing, it will snap off.



### Trimming Around Trees

- Trim around tree trunks with a slow approach so string does not contact bark. Walk around the tree trimming from left to right. Approach grass or weeds with the tip of the string and tilt cutting head slightly forward.

### Scalping

- Scalping refers to removal of all vegetation down to the ground. To do this, tilt the cutting head to about 30 degree angle to the left. By adjusting the handle you will have better control during this operation. Do not attempt this procedure if there is any chance flying debris could injure operator, other people or cause damage to property.



**Use extreme caution when SCALPING. Keep a distance of 100 feet (30 metres) between operator, other people and animals during these operations.**



# OPERATING INSTRUCTIONS

## Feeding Bump Head Line

To increase the length of nylon trimming line when using the Bump Head;

1. Run the trimmer at maximum RPM while firmly bumping the spool on the ground.
2. The line will come out incrementally each time head is bumped.
3. Check the length after each bumping and repeat till the required length is achieved.
4. Bump and feed the line before it becomes too short and fall back into the bump head. If this happens refer to the section of “Trimmer Line Assembly – bump head” on page 6.

**Note:** refer to “Troubleshooting - Bump head” if the line is not coming out when bumping.



**DO NOT touch the bump head while the powerhead unit is running.**

**DO NOT Bump feed excessive lengths of line longer than the limits of the guards.**

## Practical Tips

- Practice all operating techniques with the powerhead unit switched off before you start to use the machine.
- Remove weed/grass wrapped around head/shaft.



**DO NOT use steel wire or plastic-coated steel wire of any kind with your string head. Serious operator injury can result.**



**Periodically remove weed wrap to prevent overheating the drive shaft. Weed wrap occurs when strands of weed become entangled around the shaft beneath the debris shield. This condition prevents the shaft from being properly cooled.**

- When properly equipped with a guard and cutting head, your unit will trim unsightly weeds and tall grass in those hard-to-reach areas – along fences, walls, foundations and around trees. It can also be used for scalping to remove vegetation down to the ground for easier preparation of a garden or to clean out a particular area.



**Trimming around foundations, brick or stone walls, curves, etc. will result in above normal string wear.**





## Cleaning

### WARNING

To prevent serious personal injury remove the battery from the machine before servicing, cleaning, or removing debris.

- Clean the unit using a damp cloth with a mild detergent.
- Do not immerse the machine or any part of it in water.
- Moisture can cause a shock hazard. Wipe off any moisture with a soft dry cloth & ensure the machine is dry before replacing the battery.
- Use a small brush or vacuum cleaner to clean the air vents on the product.
- Keep the air vents free of obstructions.

Do not use solvents, strong detergents, certain aromatic oils such as pine and lemon when cleaning plastic parts. Chemicals can damage, weaken or destroy plastic component which may result in serious personal injury.

## Storing

The following steps should be taken in order to prepare the machine for storage.

- Clean the machine as described in the previous section.
- Store the machine in a dry, clean location. Do not store it next to corrosive materials, such as fertilizer or fuel.
- Store the machine indoors, in a cool, dry place, out of the reach of children.
- Ensure batteries are removed before storage.

Not for  
Reproduction



# MAINTENANCE & CARE

## Maintenance Chart

Refer to the following table for routine maintenance.

Features	Requirements	Before use	After use	Recharging	Monthly	Yearly	If damaged	As required
Throttle trigger	Check operation	●						
Trimmer	Visual inspection	●		●				
Cutting Head	Check & clean		●					●
Bump Head	Clean		●					
	Replacement					●		●
Presence trigger	Check	●						
Battery locking latch	Check	●		●				
Ventilation Grills	Clean	●	●					
All accessible fasteners	Retighten	●						●

## Service

Servicing requires extreme care and knowledge and should be performed only by a qualified service technician. For service we suggest you return the product to your nearest authorized service centre for repair. When servicing, use only genuine replacement parts.

- Keep the machine dry, clean, and free of oil and grease.
- In order to reduce the risk of fire, keep the motor free of grass, leaves, and debris build-up.
- Keep all nuts, bolts, and screws tight in order to be sure that the equipment is in safe working condition.
- Never tamper with safety devices. Check them regularly for proper operation.
- Improper repairs may result in product malfunction. This endangers you and your environment.

### WARNING

Never service damaged battery packs. Service of battery packs should only be performed by the manufacturer or authorized service providers.

**NOTE:** Refer to warranty card supplied with this product for service contact details.



## Troubleshooting

Problem	Cause	Solution
Motor fails to run when trigger is depressed	Flat battery Battery disengaged Faulty battery	Recharge battery Refit battery Replace battery
Excessive vibration	Cut off blade worn Bumphead not fitted correctly Broken drive shaft	Replace cut off blade Refit bumphead Replace drive shaft

## Indication Panel

(Refer to figure 5.1 for further details on indication panel)

LED	Indication	User action
Solid Green LED	Trimmer is ON	Active and ready for use.
Blue LED "Flashing"	Temperature protection has been activated	- Allow batteries to cool down before continuing operation. - Change a different set of batteries to continue operation.

### \* LOAD PROTECTION

The grass trimmer has built in load sensing. When the load is high, the trimmer will shut the motor down immediately and emit beeping sound informing the user that the load protection has been activated to protect the product and user.



# TECHNICAL SPECIFICATIONS

## Product Specifications

<b>Model number</b>	<b>80102224</b>
<b>Description</b>	<b>18V Line Trimmer</b>
<b>Cut Diameter</b>	<b>330 mm</b>
<b>Head Type</b>	<b>Bump head</b>
<b>Nylon Line Diameter</b>	<b>2.0 mm</b>
<b>Motor Type</b>	<b>Brushless</b>
<b>Motor Specification</b>	<b>18V DC</b>
<b>Motor Speed (rpm)</b>	<b>12,500</b>
<b>Cutting Speed (rpm)</b>	<b>3,500 @low 6,000 @high</b>
<b>Product Weight (No battery)</b>	<b>3.5 kg</b>
<b>Sound Power Level (Guaranteed)</b>	<b>96 dBA</b>
<b>Vibration Total Value (Max)</b>	<b>2.86 m/s<sup>2</sup> (Rear handle) 4.94 m/s<sup>2</sup> (Front handle)</b>

### Note:

- That the declared vibration total value has been measured in accordance with a standard test method and may be used for comparing one tool with another;
- That the declared vibration total value may also be used in a preliminary assessment of exposure.
- That the vibration emission during actual use of the power tool can differ from the declared total value depending on the ways in which the tool is used; and
- Of the need to identify safety measures to protect the operator that are based on an estimation of exposure in the actual conditions of use (taking account of all parts of the operating cycle such as the times when the tool is switched off and when it is running idle in addition to the trigger time).



Not for  
Reproduction

Not for  
Reproduction

©2021 Briggs & Stratton  
Victa is a trademark of Briggs & Stratton Australia Pty. Ltd.

All rights reserved. No part of this booklet may be reproduced by any means without prior written permission. All information herein is subject to change without notice.