

Masport®

RIDE ON MOWERS

<u>Part Number</u>	<u>Model</u>
553299	15.0/98SD TTM98
553300	19.0/108SD TTM108



For models with Serial Numbers beginning "3D", "3G" or "3H" refer to pages 3-15.

For all other models, refer to pages 16-28.

Issue B.0
Nov 2023 TV
ECN # 12987
IPL Ref # 753300



553299 Ride-On
 15.0/98SD TTM98
 553300 Ride-On
 19.0/108SD TTM108



Issue B.0
 Nov 2023 TV
 ECN # 12987
 IPL Ref # 753300

Version 1 - Serial Numbers Starting "3D--", "3G--" or "3H--"

V.1. Chassis	3
V.1. Hood & Fenders	4
V.1. Deck - TTM98	5
V.1. Deck - TTM108	6
V.1. Electrical	7
V.1. Suspension	7
V.1. Engine 452H - TTM98	8
V.1. Engine 586H - TTM108	9
V.1. Drive Belt Assembly	10
V.1. Pedal Controls	11
V.1. Front Axle	12
V.1. Steering	13
V.1. Seat	14
V.1. Fuel Tank	14
V.1. Wiring Diagram	15

Version 2 - For All Other Models

V.2. Chassis	16
V.2. Hood & Fenders	17
V.2. Mulch Plug	17
V.2. Deck - TTM98	18
V.2. Deck - TTM108	19
V.2. Electrical	20
V.2. Suspension	20
V.2. Engine 452H - TTM98	21
V.2. Engine 586H - TTM108	22
V.2. Drive Belt Assembly	23
V.2. Pedal Controls	24
V.2. Front Axle	25
V.2. Steering	26
V.2. Seat	27
V.2. Fuel Tank	27
V.2. Wiring Diagram	28



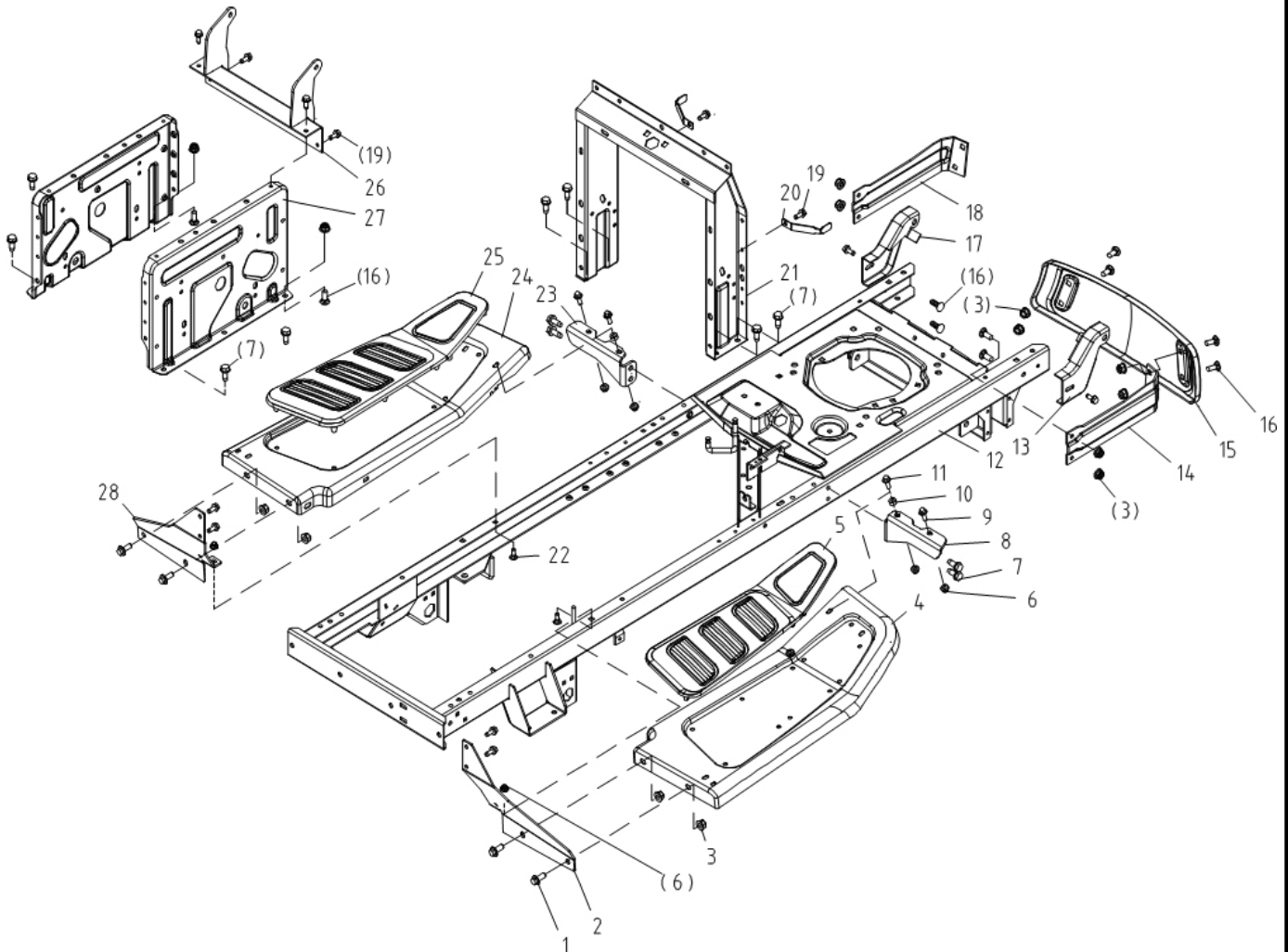
553299 Ride-On
15.0/98SD TTM98
553300 Ride-On
19.0/108SD TTM108



Issue B.0
Nov 2023 TV
ECN # 12987
IPL Ref # 753300

V.1. Chassis

For Serial Numbers "3D--", "3G--" and "3H--" only.
Other machines refer to pages 16-28.



Item	Part No	Description	Qty	Item	Part No	Description	Qty
1-28	40053014	Frame Assembly		20	20084384	Brace, Steering Back Cover	2
1	20061274	Bolt, M8x20 - Hex Flanged	4	21	20084401	Frame, Steering Column	1
2	20084428	Bracket, Right Footrest	1	22	20061289	Bolt, M6x16 - Square Neck	2
3	20061348	Lock Nut, M8 Hex Flanged	14	23	20084422	Frame, Support - Left	1
4	20084430	Footrest, Right	1	24	20084429	Footrest, Left	1
5	20084393	Pad, Foot - Right	1	25	20084388	Pad, Foot - Left	1
6	20061385	Lock Nut, M6 Flanged Hex	6	26	20084417	Frame, Seat - Front	1
7	20082799	Bolt, 5/16-18Tx3/4 - Flange	24	27	20084399	Side Plate	2
8	20084427	Frame, Support - Right	1	28	20084414	Bracket, Left Footrest	1
9	20061201	Bolt, M6x16 - Hex Flanged	2				
10	20070916	Bushing, Padded	2				
11	20061196	Bolt, M6x25 - Hex Flanged	4				
12	20084782	Frame, Chassis	1				
13	20084375	Bracket, Eng Cover - Right	1				
14	20084410	Bumper Rod, Right	1				
15	20085086	Bumper, Front	1				
16	20061299	Bolt, Square Neck - M8x20	10				
17	20084403	Bracket, Eng Cover - Left	1				
18	20084378	Bumper Rod, Left	1				
19	20082800	Screw, M6x16 Hex	6				

When ordering spares: PLEASE QUOTE PART NUMBER & DESCRIPTION, NOT illustrated number. Item Qty = 1 per part unless stated differently.
BOLD TEXT = Assemblies. Descriptions starting with * = items included in the assemblies & may not be available as a spares item.
 Determine the left or right hand sides by standing in the operating position (standing at the handle).



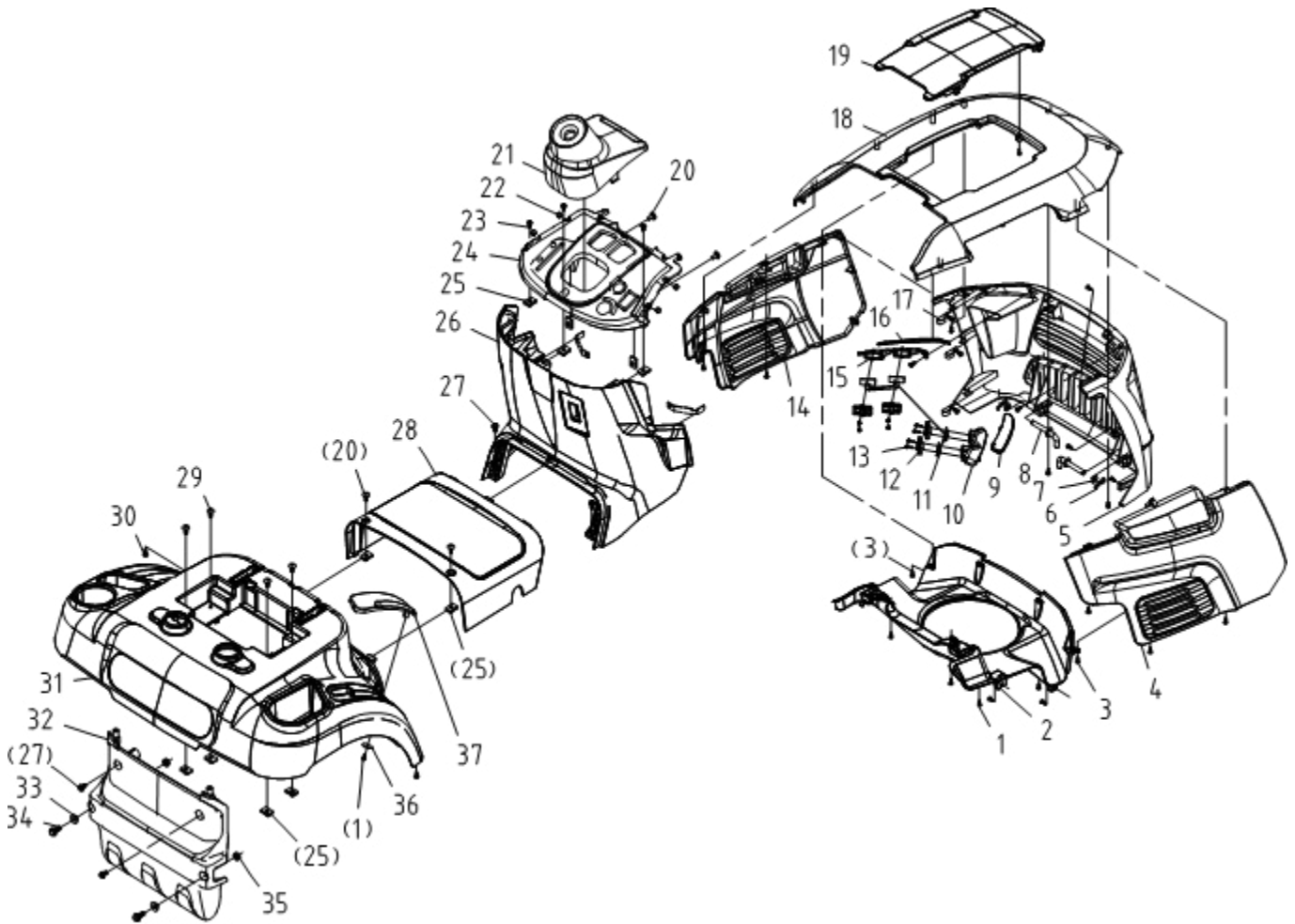
553299 Ride-On
15.0/98SD TTM98
553300 Ride-On
19.0/108SD TTM108



Issue B.0
Nov 2023 TV
ECN # 12987
IPL Ref # 753300

For Serial Numbers "3D--", "3G--" and "3H--" only.
Other machines refer to pages 16-28.

V.1. Hood & Fenders



Item	Part No	Description	Qty	Item	Part No	Description	Qty
1	20061038	Screw, St4.8x16 Pan Head	28	20	20060893	Screw, M6x16 - Allen Fh	4
2	20084507	Wind Shroud	1	21	20084503	Cap, Steering Column	1
3	20084497	Screw, St4.8x20 Pan Head	2	22	20075146	Rubber, Anti-Vibration	6
4	20085132	Cover,Hood - Right RAL3020	1	23	20061013	Screw, M6x16- Crsgroove Fh	3
5	20084511	Panel, Grille	1	24	20084494	Panel, Dash- Upper	1
6	20070576	Spring Pin	2	25	20070630	Buckle Nut, M6	11
7	20061497	Washer, M10	2	26	20084495	Panel, Dash- Lower	1
8	20078136	Pin	2	27	20082800	Screw, M6x16 Hex	6
9	20084500	Cover, Right Light	1	28	20085161	Cover, Central - RAL3020	1
10	20085780	Panel,Light Holder - Right	1	29	20060858	Screw, M6x20 - Allen Head	4
11	20084627	Board Assy, Led Light	1	30	20084298	Screw, St4.8x16 Hex Flng	2
12	20085735	Cover,Lights - Black Base	4	31	543624	Fender, Red - RAL3020	1
13	20051768	Screw, St2.9x12 Panhead	8	32	20084803	Cover, Gearbox	1
14	20085779	Panel, Light Holder - Left	1	33	20084446	Sleeve, Gearbox Cover	2
15	20085125	Cover, Left - Red RAL3020	1	34	20061274	Bolt, M8x20 - Hex Flanged	2
16	20084508	Cover, Left Light	1	35	20061348	Lock Nut, M8 Hex Flanged	2
17	20050895	Clip, Ignition Wire	5	36	20071676	Gasket, 6x25x1.5mm	1
18	20085131	Cover, Engine - RAL3020	1	37	20084501	Panel, Gear Trim	1
19	20085130	Cover, Air Intake RAL3020	1				

When ordering spares: PLEASE QUOTE PART NUMBER & DESCRIPTION, NOT illustrated number. Item Qty = 1 per part unless stated differently.

BOLD TEXT = Assemblies. Descriptions starting with * = items included in the assemblies & may not be available as a spares item.

Determine the left or right hand sides by standing in the operating position (standing at the handle).



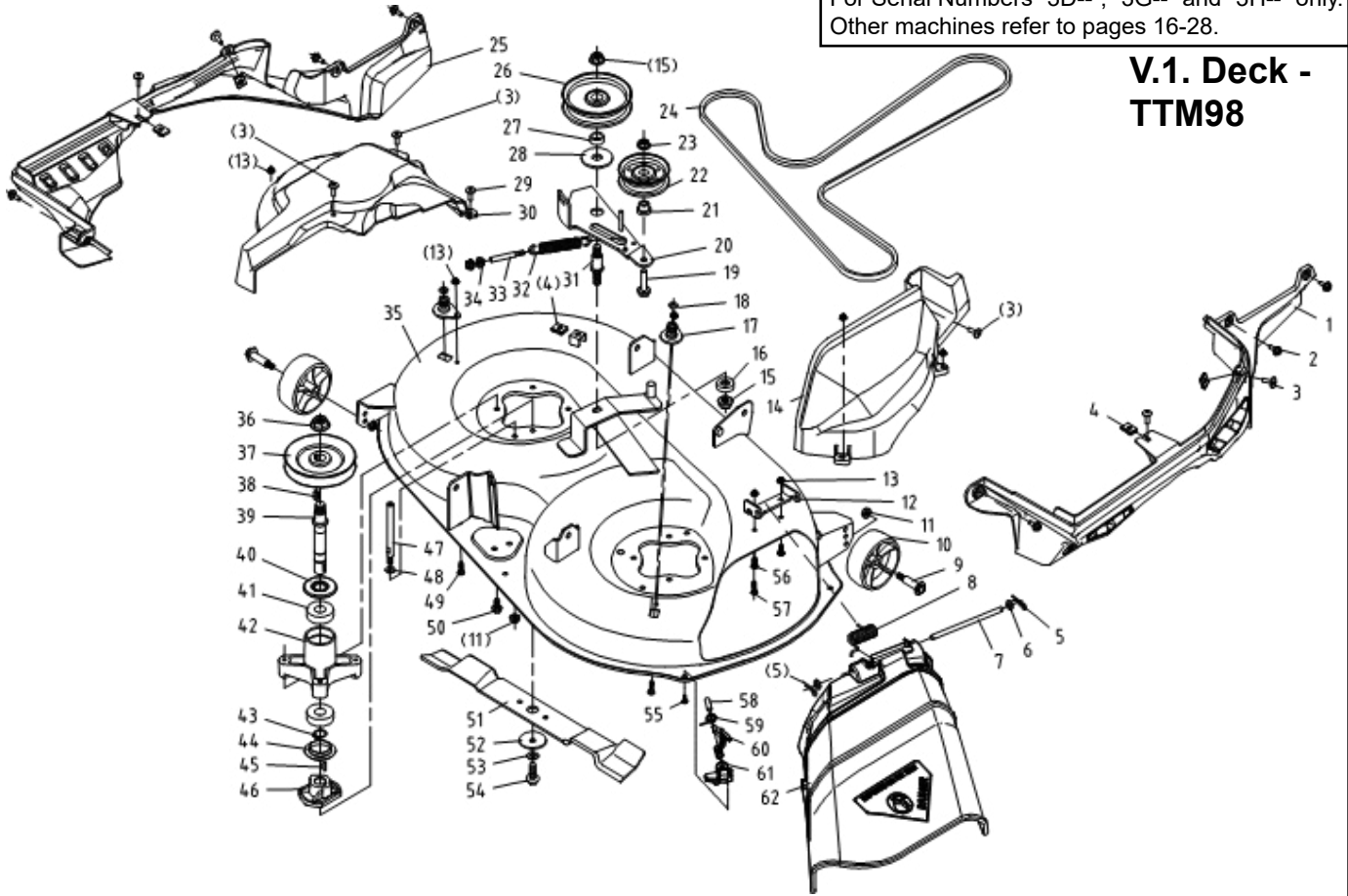
553299 Ride-On
15.0/98SD TTM98
553300 Ride-On
19.0/108SD TTM108



Issue B.0
Nov 2023 TV
ECN # 12987
IPL Ref # 753300

For Serial Numbers "3D-", "3G-" and "3H-" only.
Other machines refer to pages 16-28.

V.1. Deck - TTM98



Item	Part No	Description	Qty	Item	Part No	Description	Qty
1-62	40053083	Cutting Deck Assy 98cm		33	20084542	Screw, Adjustment - Deck	1
1	20086269	Cover, Belt - Right	1	34	20061336	Nut, Hex Flanged - M8	2
2	20082801	Screw, St6.3x11.5 Hex	6	35	20084846	Deck, 98cm - Black	1
3	20060893	Screw, M6x16 - Allen Fh	7	36	20070627	Nut, Spindle	2
4	20070630	Buckle Nut, M6	5	37	20070638	Pulley, Blade	2
5	20070576	Spring Pin	2	38	20061650	Key, Flat - 6x18mm	2
6	20061544	Washer, M8x17x1.6mm	2	39	20070622	Shaft, Spindle - Blade	2
7	20082335	Pin, D8x168mm	1	40	20071285	Cover, Bearing-Spndl Up	2
8	20086192	Spring, Torsion-Dchrg Chute	1	41	20061625	Bearing, Spindle 6204-2RZ	4
9	20085378	Axle, Deck Wheel	2	42	20054347	Housing, Spindle	2
10	20071268	Wheel, Deck	2	43	20061488	Snap Ring, 19mm	2
11	20061348	Lock Nut, M8 Hex Flanged	3	44	20070635	Cover, Bearing-Spindle Low	2
12	20084843	Hinge, Discharge Chute	1	45	20061651	Key, Half Circle - 4x16mm	2
13	20061385	Lock Nut, M6 Flanged Hex	7	46	20054345	Coupling, Blade	2
14	20086316	Cover, Pulley - Right	1	47	20070892	Stud, Screw	1
15	20061359	Lock Nut, M12x1.25 Hex Flng	2	48	20061541	Washer, M8 - Large	1
16	20070897	Counterbore Sleeve	1	49	20061249	Bolt, M6x30 - Square Neck	2
17	20070624	Wash Port, Deck	2	50	20061298	Bolt, M8x25 Flanged Hex	8
18	20055756	O-Ring, 11.2x2.65	2	51	20070984	Blade, 49cm	2
19	20062521	Bolt, M10x1.25x40 Flnge Hex	1	52	20070623	Washer, Blade	2
20	20084840	Plate, Deck Tension Pulleys	1	53	20061497	Washer, M10	2
21	20086658	Sleeve, Tensioner Pulley	1	54	20061267	Bolt, 3/8"-24-11/4" (10.9)	2
22	20071213	Pulley, Tensioner - Deck	1	55	20051827	Screw, St4.8x13 Ph	1
23	20061405	Nut, M10x1.25 Hex Flanged	1	56	20061289	Bolt, M6x16 - Square Neck	2
24	20071680	V-Belt, 48x900 (AKX2279) 98	1	57	20061301	Bolt, M6x25 Square Neck	1
25	20086267	Cover, Belt - Left	1	58	20086275	Pin, Self-Locking	1
26	20070908	Pulley, Idler	1	59	20086276	Spring, Torsion-Self Lockin	1
27	20070898	Idler Spacer Sleeve	1	60	20086278	Buckle, Self-Lock RAL3020	1
28	20070896	Washer, 17.3x55x4mm	1	61	20086277	Base, Self-Locking - Black	1
29	20060923	Screw, M6x12 Allen Fh	1	62	20086249	Discharge Chute, Black	1
30	20086315	Cover, Pulley - Left	1				
31	20070899	Shaft, Idler Pulley	1				
32	20070875	Spring, Tension	1				
						Not Illustrated	
				543622		Mulch Plug TTM98	1

When ordering spares: PLEASE QUOTE PART NUMBER & DESCRIPTION, NOT illustrated number. Item Qty = 1 per part unless stated differently.

BOLD TEXT = Assemblies. Descriptions starting with * = items included in the assemblies & may not be available as a spares item.

Determine the left or right hand sides by standing in the operating position (standing at the handle).



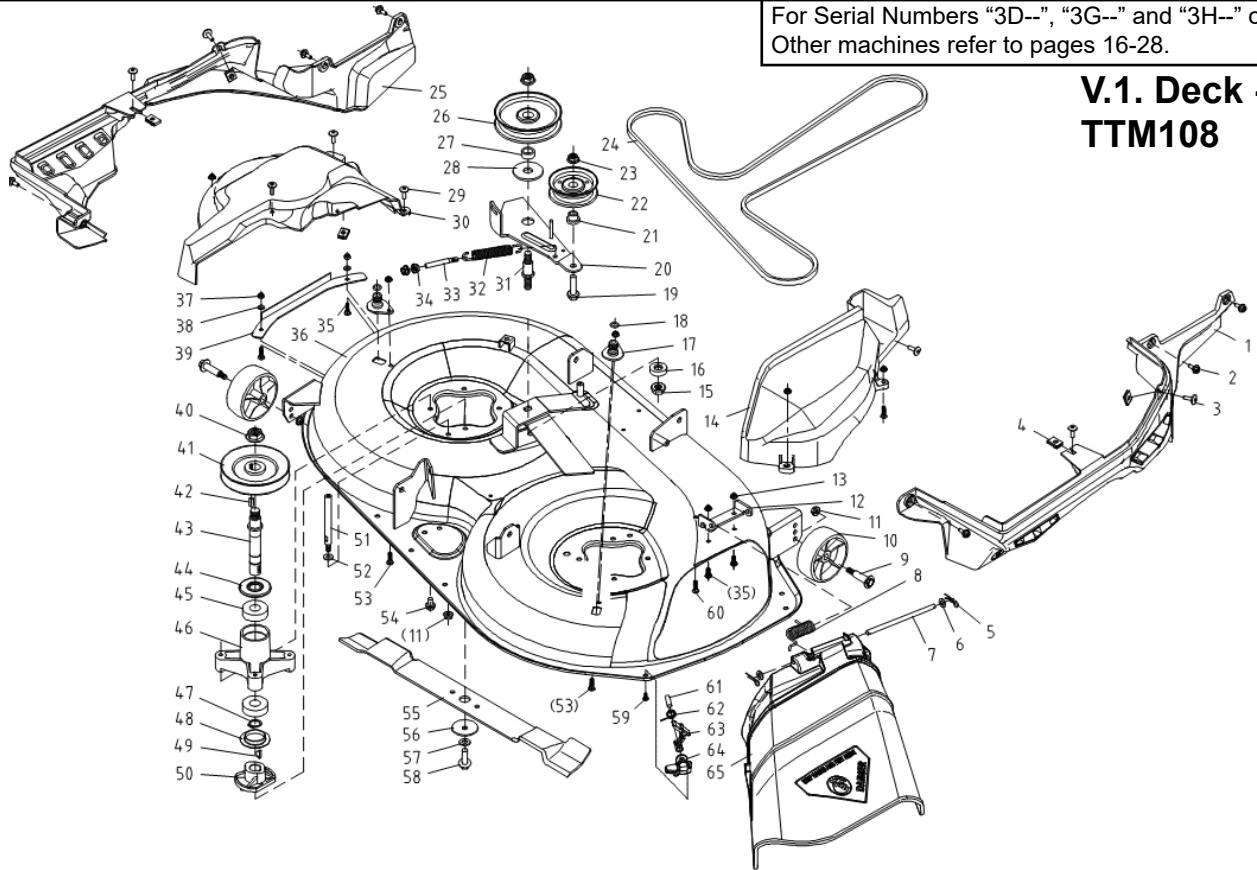
553299 Ride-On
15.0/98SD TTM98
553300 Ride-On
19.0/108SD TTM108



Issue B.0
Nov 2023 TV
ECN # 12987
IPL Ref # 753300

For Serial Numbers "3D--", "3G--" and "3H--" only.
Other machines refer to pages 16-28.

V.1. Deck - TTM108



Item	Part No	Description	Qty	Item	Part No	Description	Qty
1-65	40053085	Deck Assembly 108cm		35	20061289	Bolt, M6x16 - Square Neck	4
1	20086269	Cover, Belt - Right	1	36	20084872	Deck, 108cm	1
2	20082801	Screw, St6.3x11.5 Hex	6	37	20061421	Lock Nut, M6 Hex	2
3	20060893	Screw, M6x16 - Allen FH	6	38	20061482	Washer, M6	2
4	20070630	Buckle Nut, M6	3	39	20086368	Reinforce Plate,Deck-Left	1
5	20070576	Spring Pin	2	40	20070627	Nut, Spindle	2
6	20061544	Washer, M8x17x1.6mm	4	41	20070638	Pulley, Blade	2
7	20082335	Pin, D8x168mm	1	42	20061650	Key, Flat - 6x18mm	2
8	20086192	Spring, Torsion-Dchrg Chute	1	43	20070622	Shaft, Spindle - Blade	2
9	20085378	Axle, Deck Wheel	2	44	20071285	Cover, Bearing-Spndl Up	2
10	20071268	Wheel, Deck	2	45	20061625	Bearing, Spindle 6204-2RZ	4
11	20061348	Lock Nut, M8 Hex Flanged	6	46	20054347	Housing, Spindle	2
12	20084843	Hinge, Discharge Chute	1	47	20061488	Snap Ring, 19mm	2
13	20061385	Lock Nut, M6 Flanged Hex	6	48	20070635	Cover, Bearing-Spndl Low	2
14	20086316	Cover, Pulley - Right	1	49	20061651	Key, Half Circle - 4x16mm	2
15	20061359	Lock Nut, M12x1.25 Hex Flng	2	50	20054345	Coupling, Blade	2
16	20070897	Counterbore Sleeve	1	51	20070892	Stud, Screw	2
17	20070624	Wash Port, Deck	2	52	20061541	Washer, M8 - Large	1
18	20055756	O-Ring, 11.2x2.65	2	53	20061249	Bolt, M6x30 - Square Neck	2
19	20062521	Bolt, M10x1.25x40 Flng Hex	1	54	20061298	Bolt, M8x25 Flanged Hex	8
20	20084840	Plate, Deck Tension Pulleys	1	55	20071405	Blade, 54cm	2
21	20086658	Sleeve, Tensioner Pulley	1	56	20070623	Washer, Blade	2
22	20071213	Pulley, Tensioner - Deck	1	57	20061497	Washer, M10	2
23	20061405	Nut, M10x1.25 Hex Flanged	1	58	20061267	Bolt, 3/8"-24-11/4" (10.9)	2
24	20071679	V-Belt, 48x920 (AKX2337)	1	59	20060998	Screw, St4.8x13 PH -Blk	1
25	20086267	Cover, Belt - Left	1	60	20061301	Bolt, M6x25 Square Neck	1
26	20070908	Pulley, Idler	1	61	20086275	Pin, Self-Locking	1
27	20070898	Idler Spacer Sleeve	1	62	20086276	Spring, Torsion-Self Lockin	1
28	20070896	Washer, 17.3x55x4mm	1	63	20086278	Buckle, Self-Lock RAL3020	1
29	20060923	Screw, M6x12 Allen FH	1	64	20086277	Base, Self-Locking - Black	1
30	20086315	Cover, Pulley - Left	1	65	20086249	Discharge Chute, Black	1
31	20070899	Shaft, Idler Pulley	1	Not Illustrated			
32	20070875	Spring, Tension	1	543623	Mulch Plug TTM108	1	
33	20084542	Screw, Adjustment - Deck	1				
34	20061339	Nut, M8 Flanged	2				

When ordering spares: PLEASE QUOTE PART NUMBER & DESCRIPTION, NOT illustrated number. Item Qty = 1 per part unless stated differently.
BOLD TEXT = Assemblies. Descriptions starting with * = items included in the assemblies & may not be available as a spares item.
 Determine the left or right hand sides by standing in the operating position (standing at the handle).

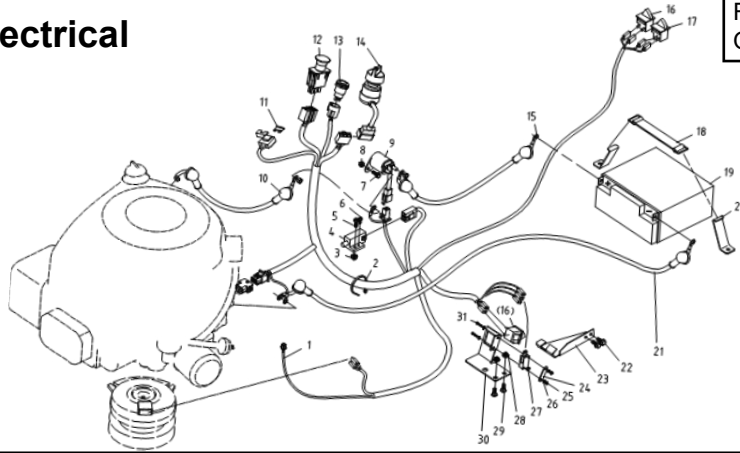


553299 Ride-On
15.0/98SD TTM98
553300 Ride-On
19.0/108SD TTM108



Issue B.0
Nov 2023 TV
ECN # 12987
IPL Ref # 753300

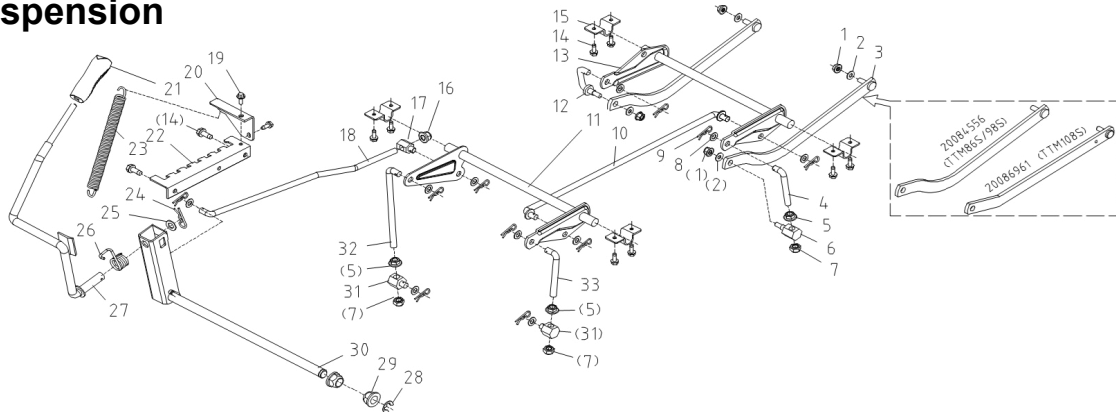
V.1. Electrical



For Serial Numbers "3D--", "3G--" and "3H--" only.
Other machines refer to pages 16-28.

Item	Part No	Description	Qty	Item	Part No	Description	Qty
1-31	40053013	Electrical Assembly		18	20070744	Strap, Battery	1
1	20084779	Cable, Electric Start	1	19	20071324	Battery-12V18Ah Not Stockd	1
2	20051895	Cable Tie, 5x200mm	20	20	20084632	Hook, Battery Strap	2
3	20061406	Nut, M6 Hex Flanged	1	21	20085496	Cable, Battery-Ground	1
4	20070745	Open/Close Switch	1	22	20082800	Screw, M6x16 Hex	2
5	20061013	Screw, M6x16- Crsgroove Fh	1	23	20084636	Lever, Neutral Switch	1
6	20051776	Screw, St4.2x10 Panhead	2	24	20084628	Pad, Microswitch	1
7	20061186	Bolt, Flanged M5x16	2	25	20061334	Nut, Switch - Hex M3	2
8	20061341	Lock Nut, M5 Hex Flanged	2	26	20084633	Washer, M3 - Serrated	4
9	20071221	Ignition Coil ST188F	1	27	20071232	Switch Assy, Alarm	1
10	20084637	Cable, Starter	1	28	20061385	Lock Nut, M6 Flanged Hex	2
11	20085696	Fuse, 20A	1	29	20061289	Bolt, M6x16 - Square Neck	2
12	20062234	Switch, PTO	1	30	20084629	Mounting Plate, Switch	1
13	20084626	Switch, Push Button	1	31	20051763	Screw, M3x20 - Pan Head	2
14	20084630	Electronic Lock	1				
15	20084624	Cable, Battery-Positive	1	Not Illustrated:			
16	20086270	Switch, 2 Pin-Nrmly Clsd	2	20081704	Hour Meter		1
17	20086271	Switch, 2 Pin-Nrmly Open	2				

V.1. Suspension



Item	Part No	Description	Qty	Item	Part No	Description	Qty
1-33	40053009	Suspension Assembly		17	20070967	Pin, Height Adjuster	1
1	20061348	Lock Nut, M8 Hex Flanged	4	18	20084563	Pull-Rod, Lifting Lever	1
2	20061541	Washer, M8 - Large	4	19	20082800	Screw, M6x16 Hex	2
3	20084556	Stay Bar, Front TTM98	2	20	20085316	Plate, Height Adj Spring	1
3	20086961	Stay Bar, Front TTM108	2	21	20070900	Handle, Cutting Height	1
4	20084557	Boom, Front Right	1	22	20084549	Ratchet Plate, Height Adj	1
5	20061369	Nut, M10x1.25 - Flanged Hex	3	23	20084564	Spring, Tension-Height Adj	1
6	20084533	Pin, Front Susp	1	24	20071251	Cotter Pin, 3mm	1
7	20061403	Lock Nut, M10x1.25 - Hex	3	25	20062529	Washer, M14 X 1.5	1
8	20061497	Washer, M10	9	26	20071354	Torsion Spring, Height Lvr	1
9	20070576	Spring Pin	9	27	20084535	Lever, Height Adjustment	1
10	20084722	Linkage, Front-Rear Height	1	28	20061473	Circlip, 12mm	1
11	20084723	Rear Arm	1	29	20070612	Bushing, Hex- Steering	2
12	20084553	U-Linkage, Front Arms	1	30	20084537	Linkage, Deck Lift - Rear	1
13	20084560	Front Arm	1	31	20085750	Pin, Connector - Plated	2
14	20082799	Bolt, 5/16-18tx3/4 - Flange	10	32	20084727	Lever, Adjusting Left Rear	1
15	20084532	U-Bracket, Brake Bar	4	33	20085749	Lever, Adjustment R/Rear	1
16	20061405	Nut, M10x1.25 Hex Flanged	1				

When ordering spares: PLEASE QUOTE PART NUMBER & DESCRIPTION, NOT illustrated number. Item Qty = 1 per part unless stated differently.

BOLD TEXT = Assemblies. Descriptions starting with * = items included in the assemblies & may not be available as a spares item.

Determine the left or right hand sides by standing in the operating position (standing at the handle).



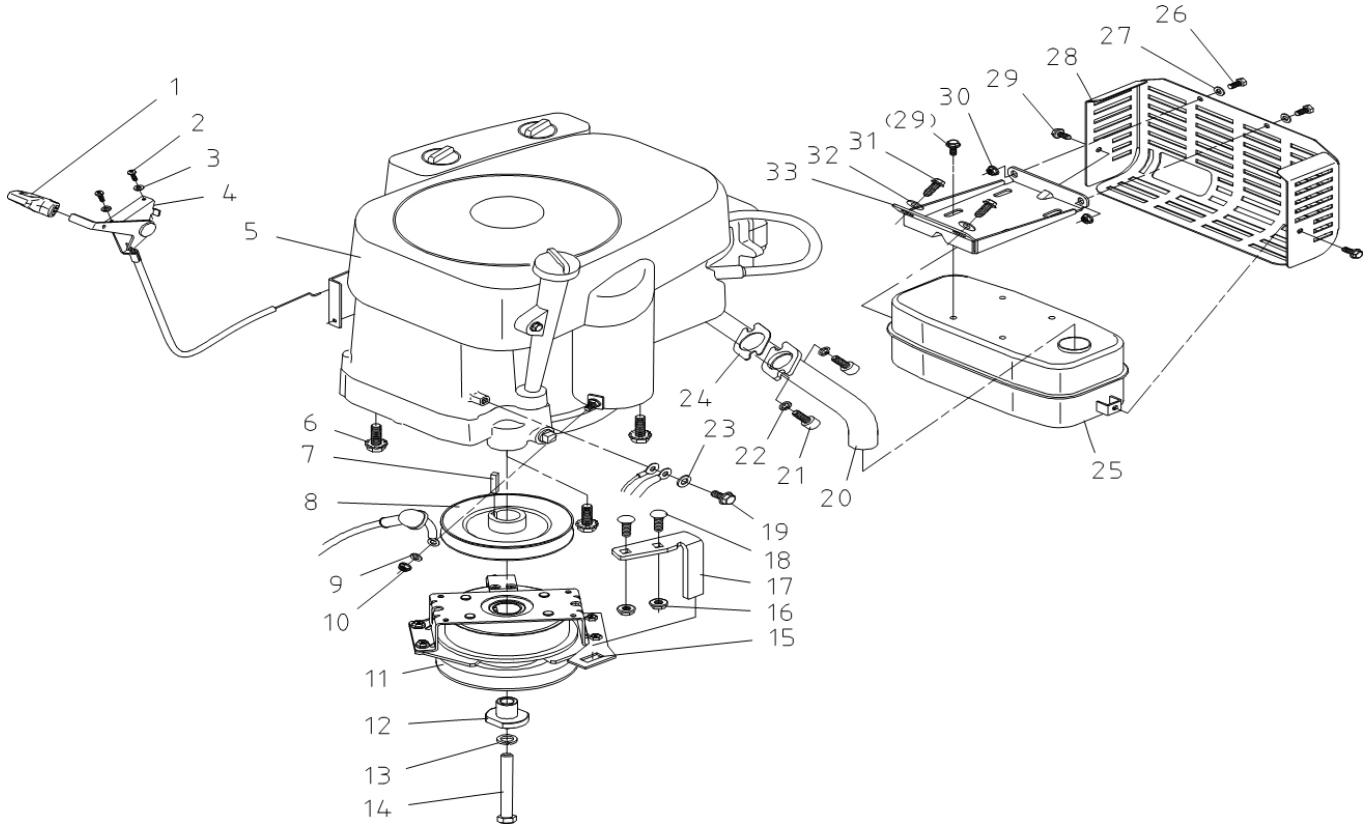
553299 Ride-On
15.0/98SD TTM98
553300 Ride-On
19.0/108SD TTM108



Issue B.0
Nov 2023 TV
ECN # 12987
IPL Ref # 753300

V.1. Engine 452H - TTM98

For Serial Numbers "3D--", "3G--" and "3H--" only.
Other machines refer to pages 16-28.



Item	Part No	Description	Qty	Item	Part No	Description	Qty
1	20084362	Knob, Choke	1	27	20061539	Washer, M6- Large	2
2	20051803	Screw, M4x16- Crsgroove Ph	2	28	20085348	Guard, Muffler	1
3	20061531	Washer, M4	2	29	20082800	Screw, M6x16 Hex	6
4	20071241	Cable, Throttle	1	30	20061406	Nut, M6 Hex Flanged	2
5	LC1P92F-1	452cc Engine	1	31	20082799	Bolt, 5/16-18Tx3/4 - Flange	2
6	20061285	Screw, St3/8"-16-11/4"	4	32	20061541	Washer, M8 - Large	2
7	20070519	Key, Flat - 6.35x30mm	1	33	20084296	Plate, Muffler	1
8	20071187	Pulley, Engine	1	<p>For internal engine spares, please search the engine model "LC1P92F-1" on the Masport dealer portal, or contact the Masport customer services team.</p>			
9	20061482	Washer, M6	1				
10	20061385	Lock Nut, M6 Flanged Hex	1				
11	20085206	Clutch, Electromag (Kokura)	1				
12	20085758	Bushing, Clutch Step	1				
13	20061455	Spring Washer, 7/16"	1				
14	20062410	Bolt, 7/16"-20-3"	1				
15	20085121	Plate, Clutch	1				
16	20061348	Lock Nut, M8 Hex Flanged	2				
17	20085757	Bracket, Clutch Baffle	1				
18	20061299	Bolt, Square Neck - M8x20	2				
19	20061300	Bolt, M8x16-Zinc Pltd Hex	1				
20	20074428	Exhaust	1				
21	20060850	Screw, 5/16"-18-3/4"	2				
22	20061453	Spring Washer, 5/16"	2				
23	20061431	Washer, M8	1				
24	20070868	Gasket, Exhaust	1				
25	20071214	Muffler	1				
26	20061184	Bolt, M6x26 - Hex	2				



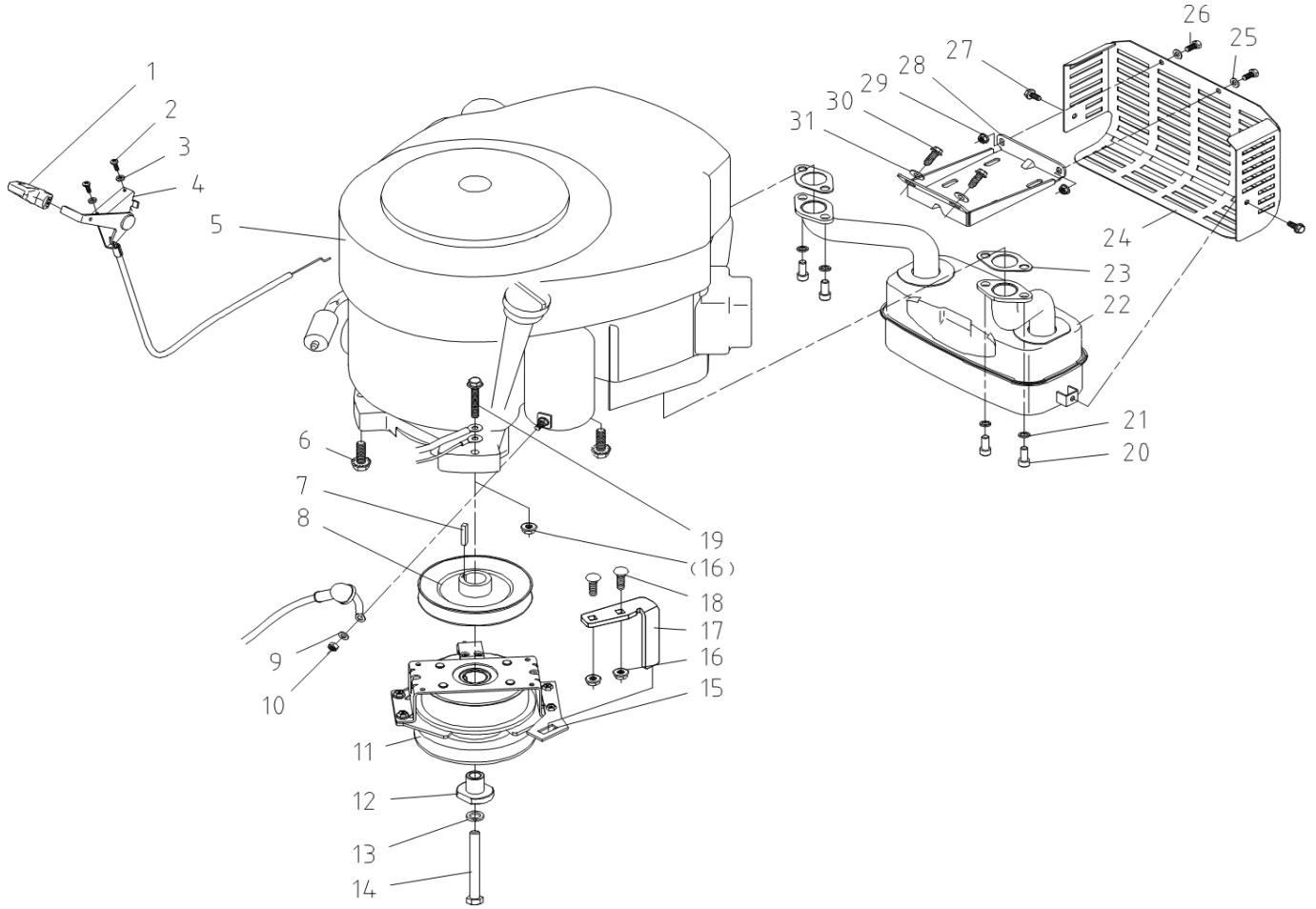
553299 Ride-On
15.0/98SD TTM98
553300 Ride-On
19.0/108SD TTM108



Issue B.0
Nov 2023 TV
ECN # 12987
IPL Ref # 753300

V.1. Engine 586H - TTM108

For Serial Numbers "3D--", "3G--" and "3H--" only.
Other machines refer to pages 16-28.



Item	Part No	Description	Qty	Item	Part No	Description	Qty
1	20084362	Knob, Choke	1	23	20070868	Gasket, Exhaust	2
2	20051803	Screw, M4x16- Crsgroove Ph	2	24	20085348	Guard, Muffler	1
3	20061531	Washer, M4	2	25	20061539	Washer, M6- Large	2
4	20071440	Cable, Throttle	1	26	20061184	Bolt, M6x26 - Hex	2
5	LC2P73F	586cc Engine	1	27	20082800	Screw, M6x16 Hex	2
6	20061285	Screw, St3/8"-16-11/4"	3	28	20084296	Plate, Muffler	1
7	20070519	Key, Flat - 6.35x30mm	1	29	20061406	Nut, M6 Hex Flanged	2
8	20071187	Pulley, Engine	1	30	20082799	Bolt, 5/16-18Tx3/4 - Flange	2
9	20061482	Washer, M6	1	31	20061541	Washer, M8 - Large	2
10	20061385	Lock Nut, M6 Flanged Hex	1				
11	20085206	Clutch, Electromag (Kokura)	1				
12	20085758	Bushing, Clutch Step	1				
13	20061455	Spring Washer, 7/16"	1				
14	20062410	Bolt, 7/16"-20-3"	1				
15	20085121	Plate, Clutch	1				
16	20061348	Lock Nut, M8 Hex Flanged	3				
17	20085859	Baffle, Clutch	1				
18	20061299	Bolt, Square Neck - M8x20	2				
19	20061254	Bolt, M8x40 - Hex Flanged	1				
20	20060850	Screw, 5/16"-18-3/4"	4				
21	20061453	Spring Washer, 5/16"	4				
22	20084879	Muffler	1				

For internal engine spares, please search the engine model "LC2P73F" on the Masport dealer portal, or contact the Masport customer services team.



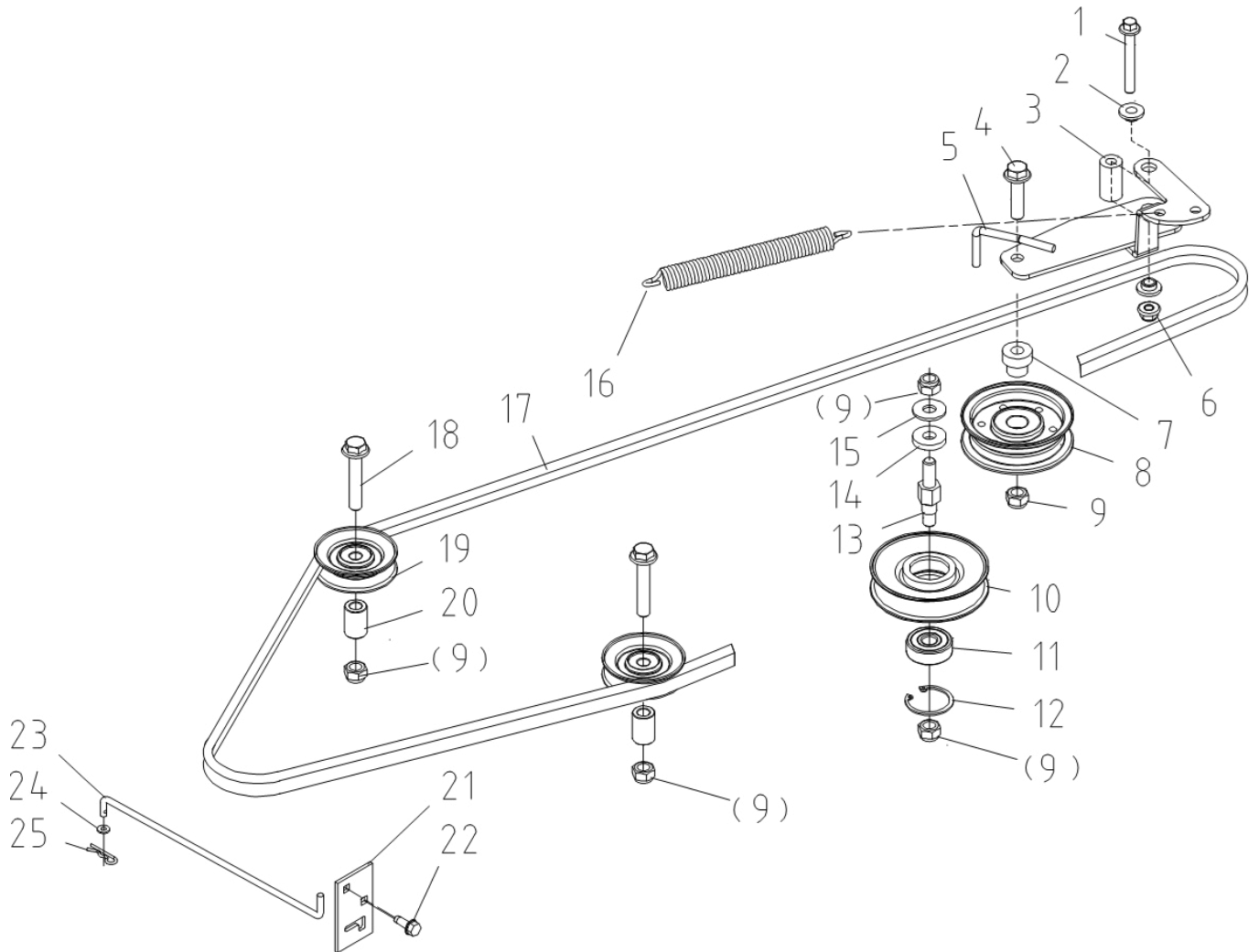
553299 Ride-On
15.0/98SD TTM98
553300 Ride-On
19.0/108SD TTM108



Issue B.0
Nov 2023 TV
ECN # 12987
IPL Ref # 753300

For Serial Numbers "3D--", "3G--" and "3H--" only.
Other machines refer to pages 16-28.

V.1. Drive Belt Assembly



Item	Part No	Description	Qty	Item	Part No	Description	Qty
1	20061275	Bolt, M8x60 - Hex Flanged	1	19	20071208	Pulley, Guide - Drive	2
2	20070780	Bushing	2	20	20084442	Sleeve, Guide Pulley	2
3	20084436	Spacer Sleeve, 8x18x33mm	1	21	20084655	Seat, Oil Drain Rod	1
4	20062521	Bolt, M10x1.25x40 Flange Hex	1	22	20082800	Screw, M6x16 Hex	2
5	20084440	Plate, Tensioner Arm	1	23	20085197	Push Rod, Oil Drain	1
6	20061336	Nut, Hex Flanged - M8	1	24	20061445	Washer, M5	1
7	20071180	Bushing, Pulley - Tension	1	25	20070582	Cotter Pin	1
8	20071213	Pulley, Tensioner - Deck	1				
9	20061403	Lock Nut, M10x1.25 - Hex	5				
10	20070536	Pulley, Tensioner	1				
11	20061626	Bearing, 6301-2RS-Tensioner	1				
12	20061549	Snap Ring, 37mm	1				
13	20084441	Bolt, Tension Pulley-Drive	1				
14	20062499	Washer, 27x10.5x5	1				
15	20061542	Washer, M10 - Large	1				
16	20070875	Spring, Tension	1				
17	20085198	V-Belt, LG4-1030	1				
18	20062515	Bolt, M10x1.25x50 Flange Hex	2				

When ordering spares: PLEASE QUOTE PART NUMBER & DESCRIPTION, NOT illustrated number. Item Qty = 1 per part unless stated differently.
BOLD TEXT = Assemblies. Descriptions starting with * = items included in the assemblies & may not be available as a spares item.
 Determine the left or right hand sides by standing in the operating position (standing at the handle).



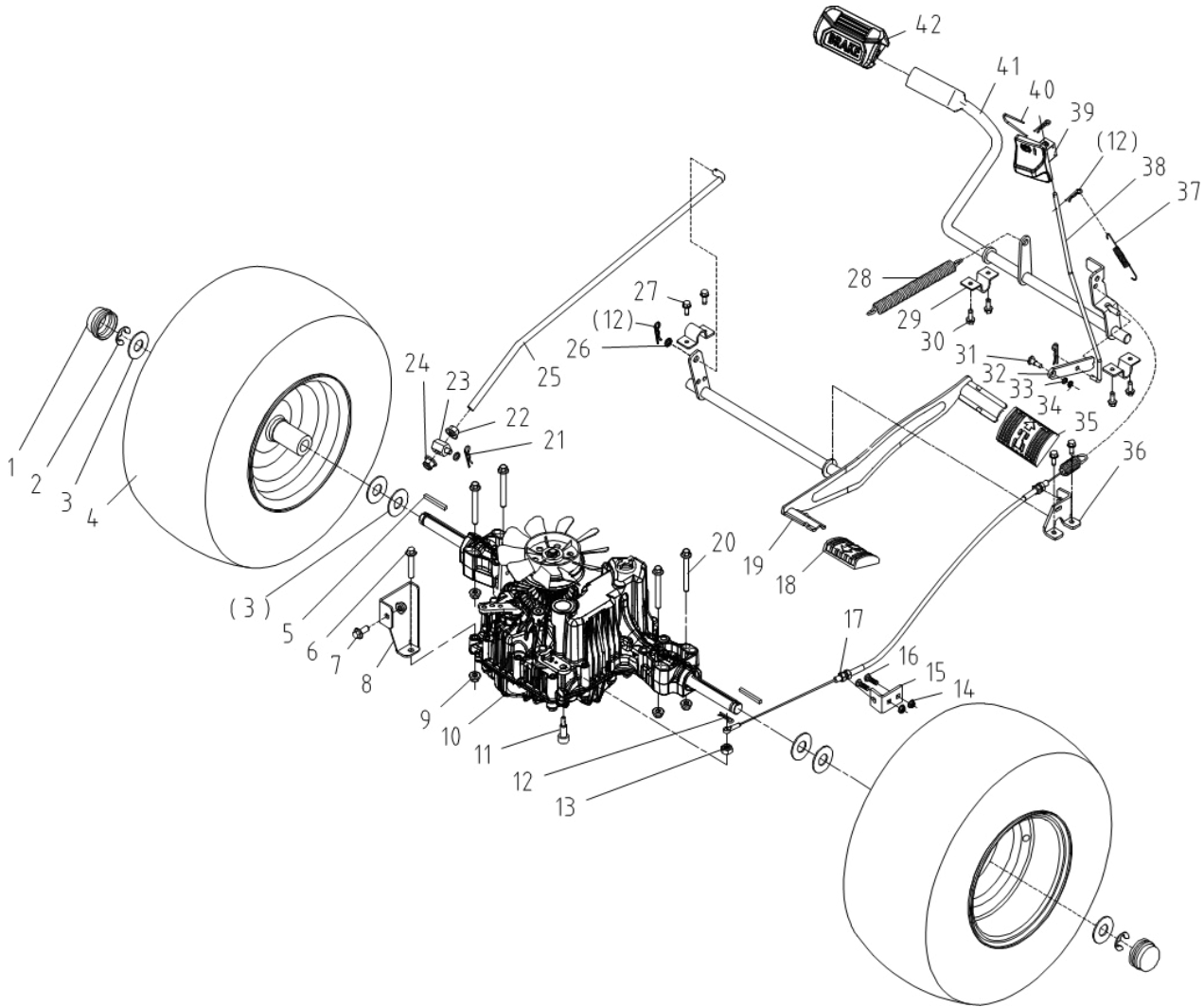
553299 Ride-On
15.0/98SD TTM98
553300 Ride-On
19.0/108SD TTM108



Issue B.0
Nov 2023 TV
ECN # 12987
IPL Ref # 753300

V.1. Pedal Controls

For Serial Numbers "3D--", "3G--" and "3H--" only.
Other machines refer to pages 16-28.



Item	Part No	Description	Qty	Item	Part No	Description	Qty
1-42	40053131	Brake Assembly, K46DR		20	20061310	Bolt, M8x65 - Hex Flanged	4
1	20068187	Hub Cap	2	21	20070576	Spring Pin	1
2	20061430	Circlip, 15mm	2	22	20061369	Nut, M10x1.25 - Flanged Hex	4
3	20071143	Washer, Wheel - 20x43x3mm	6	23	20085748	Pin, Tie Rod	1
4	20086530	Wheel Assembly, Rear- 18x8.5-8	2	24	20061403	Lock Nut, M10x1.25 - Hex	1
4.1	20060810	Rim, Rear Wheel	2	25	20085194	Pull Rod, Drive	1
4.2	20083979	Tyre, Rear - 18x8.5-8	2	26	20061497	Washer, M10	1
4.3	20061665	Valve, Z2-01-1, GB/T3900-1997	2	27	20082800	Screw, M6x16 Hex	4
5	20071174	Key, Flat - 4.85x60mm	2	28	20084574	Spring, Tension- Brake Rtrn	1
6	20061254	Bolt, M8x40 - Hex Flanged	1	29	20084532	U-Bracket, Brake Bar	3
7	20061274	Bolt, M8x20 - Hex Flanged	1	30	20082799	Bolt, 5/16-18Tx3/4 - Flange	4
8	20085196	Plate, Fixing-Rear K46DR Axle	1	31	20084575	Pin, Parking Brake	1
9	20061348	Lock Nut, M8 Hex Flanged	6	32	20084590	Plate, Parking Brake	1
10	20062247	Transaxle, K46DR	1	33	20061431	Washer, M8	1
11	20086191	Pin, Shaft K46DR	1	34	20061533	Spring Washer, 8mm	1
12	20070582	Cotter Pin	4	35	20068230	Pedal, Forward	1
13	20061419	Lock Nut, M10- Hex	1	36	20084585	Plate, Brake Cable	1
14	20061385	Lock Nut, M6 Flanged Hex	2	37	20086465	Spring, Tension-Park Reset	1
15	20085192	Bracket, Brake Cable K46DR	1	38	20084595	Drag Link, P/Brake	1
16	20061289	Bolt, M6x16 - Square Neck	2	39	20084583	Handle, P/Brake - RAL3020	1
17	20085191	Brake Cable, K46DR	1	40	20084581	U-Bolt, Handle-Brake	1
18	20068229	Pedal, Reverse	1	41	20084572	Lever, Brake Pedal	1
19	20084591	Lever, Pedals	1	42	20082728	Pedal, Brake	1

When ordering spares: PLEASE QUOTE PART NUMBER & DESCRIPTION, NOT illustrated number. Item Qty = 1 per part unless stated differently.

BOLD TEXT = Assemblies. Descriptions starting with * = items included in the assemblies & may not be available as a spares item.

Determine the left or right hand sides by standing in the operating position (standing at the handle).



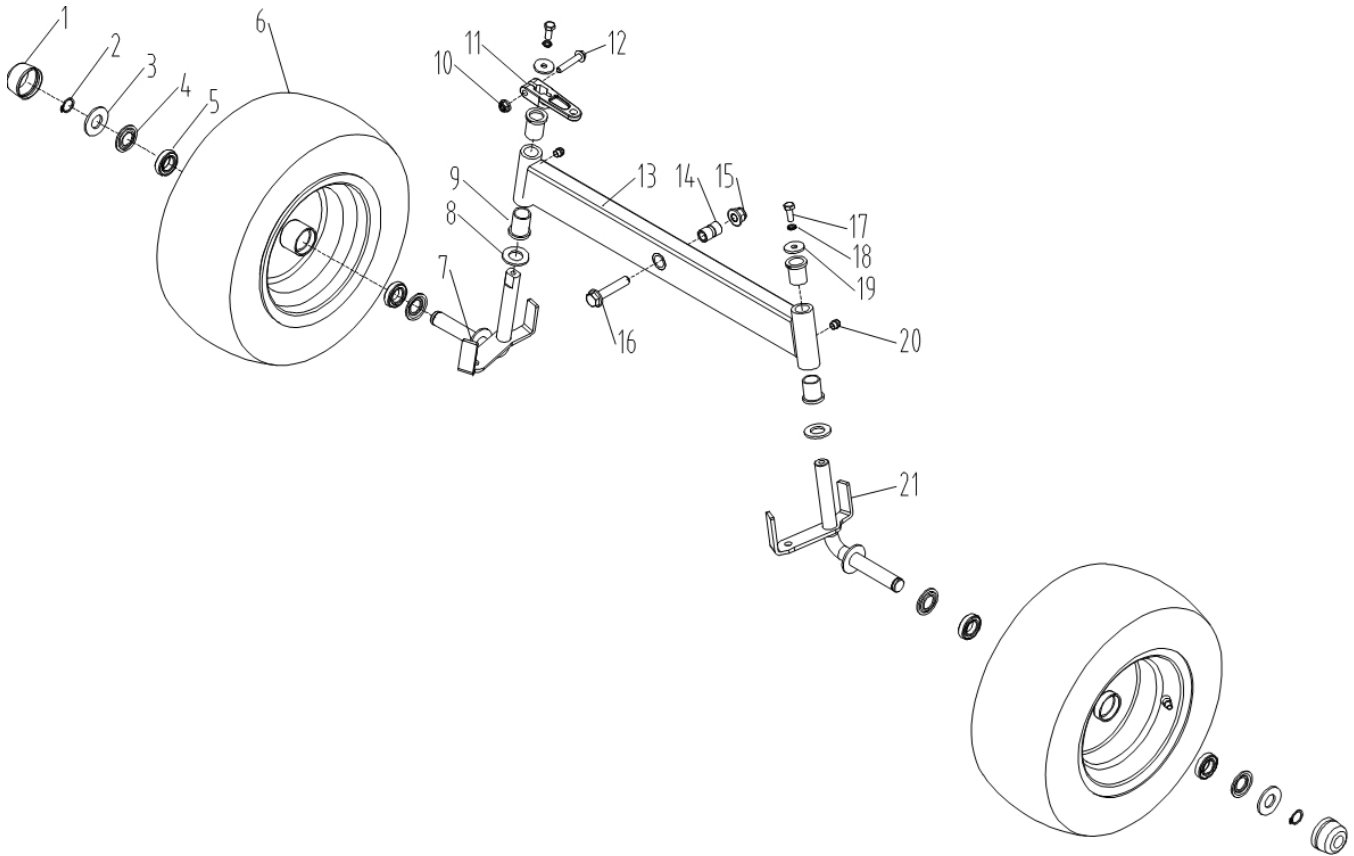
553299 Ride-On
15.0/98SD TTM98
553300 Ride-On
19.0/108SD TTM108



Issue B.0
Nov 2023 TV
ECN # 12987
IPL Ref # 753300

V.1. Front Axle

For Serial Numbers "3D--", "3G--" and "3H--" only.
Other machines refer to pages 16-28.



Item	Part No	Description	Qty	Item	Part No	Description	Qty
1-21	40052982	Front Axle Assy		17	20061291	Bolt, M8x20	2
1	20068187	Hub Cap	2	18	20061533	Spring Washer, 8mm	2
2	20061488	Snap Ring, 19mm	2	19	20055114	Washer, Front Axle	2
3	20071143	Washer, Wheel - 20x43x3mm	2	20	20061649	Nozzle, Oil Injection - M6	2
4	20071144	Washer, Front Wheels	4	21	20084367	Axle, Wheel - Front Right	1
5	20061595	Bearing,61904-2RZ -F/Wheel	4				
6	20086529	Wheel, Front - Assy. 15x6-6	2				
6.1	20083980	Tyre, Front - 15x6-6	2				
6.2	20071149	Hub, Wheels - Front	2				
6.3	20061665	Valve, Z2-01-1, GB/T3900-1997	2				
7	20084372	Axle, Wheel - Front Left	1				
8	20061444	Washer, M20-Front Axle	2				
9	20070566	Bushing, Front Axle	4				
10	20061348	Lock Nut, M8 Hex Flanged	1				
11	20070941	Steering Arm	1				
12	20061256	Bolt, M8x45 - Hex Flanged	1				
13	20084364	Linkage, Front Axle	1				
14	20084370	Liner Tube, Front Axle	1				
15	20061359	Lock Nut,M12x1.25 Hex Flng	1				
16	20085752	Bolt, M12x1.25x55 Flanged	1				

When ordering spares: PLEASE QUOTE PART NUMBER & DESCRIPTION, NOT illustrated number. Item Qty = 1 per part unless stated differently.
BOLD TEXT = Assemblies. Descriptions starting with * = items included in the assemblies & may not be available as a spares item.
 Determine the left or right hand sides by standing in the operating position (standing at the handle).



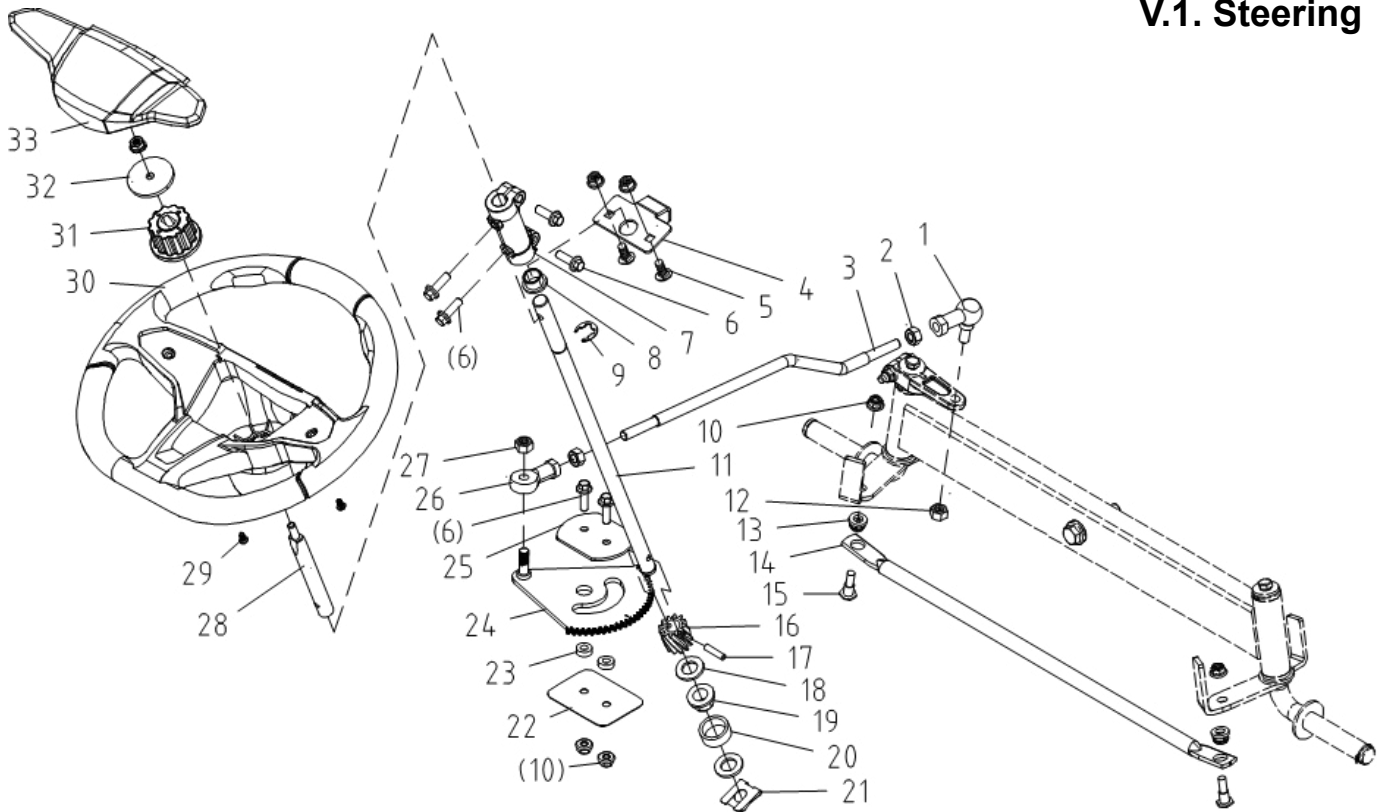
553299 Ride-On
15.0/98SD TTM98
553300 Ride-On
19.0/108SD TTM108



Issue B.0
Nov 2023 TV
ECN # 12987
IPL Ref # 753300

For Serial Numbers "3D--", "3G--" and "3H--" only.
Other machines refer to pages 16-28.

V.1. Steering



Item	Part No	Description	Qty	Item	Part No	Description	Qty
1-33	40052987	Steering Assy		24	20084464	Rack, Steering	1
1	20085366	Joint Bearing,M10-Steering	1	25	20070942	Plate, Dbl Hole -Steering	1
2	20061399	Nut, M10 - Drag Link	2	26	20061641	Joint Bearing, SIJK10C	1
3	20084461	Drag Rod, Steering	1	27	20061403	Lock Nut, M10x1.25 - Hex	1
4	20084463	Plate, Steering	1	28	20084465	Adapter, Steering Wheel	1
5	20061299	Bolt, Square Neck - M8x20	2	29	20051824	Screw, St4.8x16 Pan Head	2
6	20061298	Bolt, M8x25 Flanged Hex	6	30	20082707	Wheel, Steering-Rubber Blk	1
7	20083389	Coupling Sleeve, Steering	1	31	20079969	Hub, Splined - S/Wheel	1
8	20082643	Bushing, Nylon	1	32	20082683	Washer, Steering Wheel	1
9	20061548	Circlip, 15mm	1	33	20082679	Cover, S/Wheel RAL3020	1
10	20061348	Lock Nut, M8 Hex Flanged	7				
11	20084458	Column, Steering	1				
12	20061419	Lock Nut, M10- Hex	1				
13	20084462	Bush, Rubber - Tie Rod	2				
14	20084456	Tie Rod, Steering	1				
15	20084459	Screw, M8x28	2				
16	20084457	Pinion, Steering	1				
17	20061569	Pin, D6 X 26	1				
18	20061437	Washer, M16-Steering Rack	2				
19	20070612	Bushing, Hex- Steering	1				
20	20071127	Bushing, Nylon	1				
21	20085898	Retaining Block, 16mm	1				
22	20070939	Tie Plate, SS	1				
23	20070932	Bushing, Steering Plate	2				

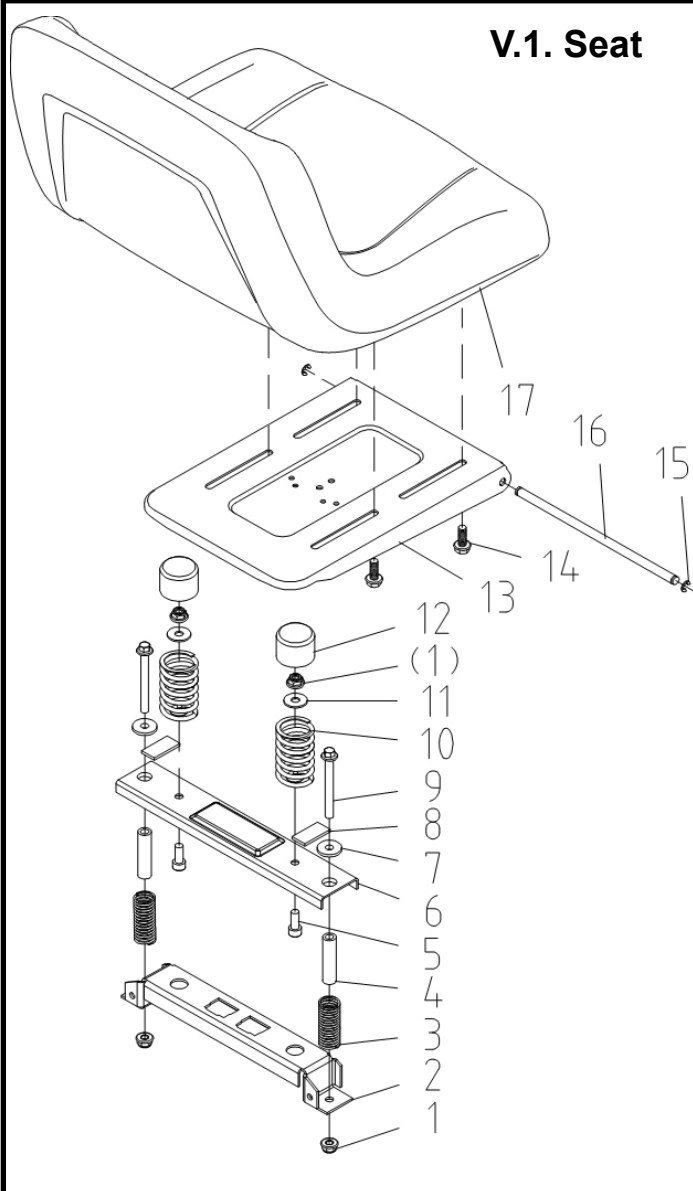
When ordering spares: PLEASE QUOTE PART NUMBER & DESCRIPTION, NOT illustrated number. Item Qty = 1 per part unless stated differently.
BOLD TEXT = Assemblies. Descriptions starting with * = items included in the assemblies & may not be available as a spares item.
 Determine the left or right hand sides by standing in the operating position (standing at the handle).



553299 Ride-On
15.0/98SD TTM98
553300 Ride-On
19.0/108SD TTM108



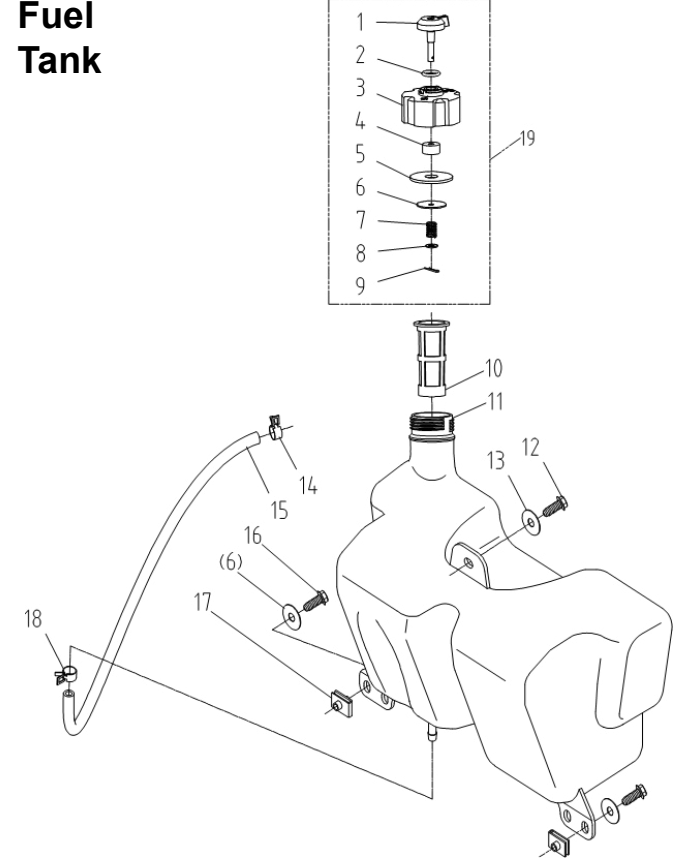
Issue B.0
Nov 2023 TV
ECN # 12987
IPL Ref # 753300



Item	Part No	Description	Qty
1-17	40052986	Seat Assembly	
1	20061348	Lock Nut, M8 Hex Flanged	4
2	2008447	Crossbeam, Support - Seat	1
3	20084453	Spring, Reset - Seat Switch	2
4	20084451	Tube, Spring - 14x8.4x55mm	2
5	20084454	Screw, M8x20 - Allen Hex	2
6	20084452	Pressure Plate, Seat Switch	1
7	20085373	Washer, Nylon	2
8	20085917	Shock Abs, Foam - 40x20x5	2
9	20084449	Bolt, M8x75 - Flanged Hex	2
10	20070964	Spring, Compression - Seat	2
11	20061541	Washer, M8 - Large	2
12	20068240	Cap, Spring - Seat	2
13	20070966	Plate, Seat Adjustment	1
14	20061274	Bolt, M8x20 - Flanged	4
15	20061679	Retaining Ring, 6mm	2
16	20070965	Pin, Seat	1
17	20070600	Seat	1

V.1. Fuel Tank

For Serial Numbers "3D--", "3G--" and "3H--" only. Other machines refer to pages 16-28.



Item	Part No	Description	Qty
1-19	40052984	Fuel Tank Assembly	
1	20059754	Lever, Fuel Tank Cap	1
2	20071493	O-Ring, Cap - Fuel Tank	1
3	20059760	Cap, Fuel Tank	1
4	20059763	Filter Element, F/Tank Cap	1
5	20071494	Seal, Fuel Tank Cap	1
6	20071676	Gasket, 6x25x1.5mm	1
7	20059764	Spring, Fuel Tank Cap	1
8	20061445	Washer, M5	1
9	20059765	Cotter Pin, Fuel Tank Cap	1
10	20059766	Filter Cap, Fuel Tank	1
11	20071228	Fuel Tank	1
12	20082800	Screw, M6x16 Hex	1
13	20071676	Gasket, 6x25x1.5mm	3
14	20062744	Clamp, Fuel Hose D10mm	1
15	20070865	Fuel Hose, D6x10mm	1
16	20085866	Bolt, M6x20	2
17	20070630	Buckle Nut, M6	2
18	20071161	Clamp, Dw-Fuel Hose D10mm	1
19	20071747	Cap Assy, Fuel Tank	



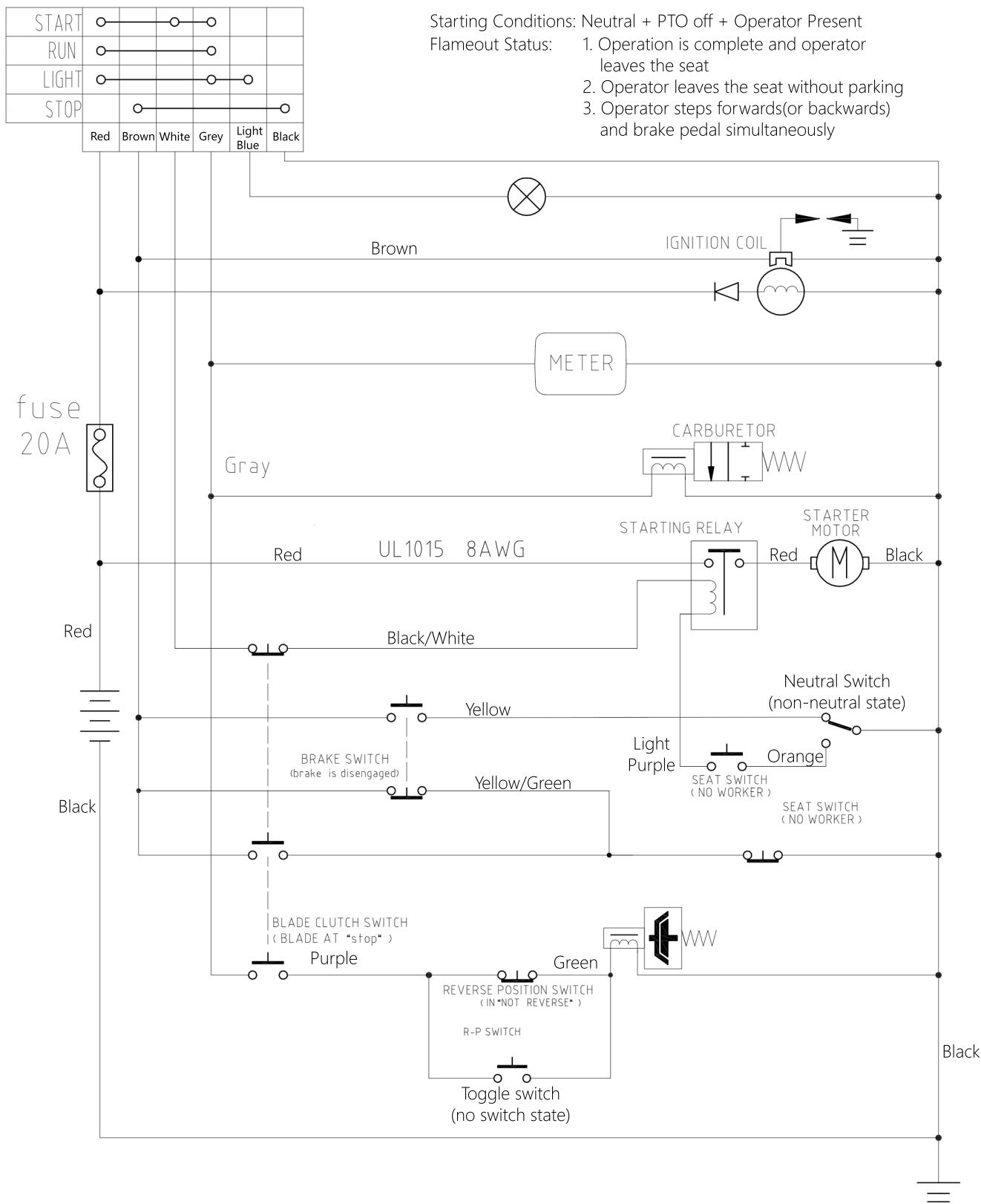
553299 Ride-On
 15.0/98SD TTM98
 553300 Ride-On
 19.0/108SD TTM108



Issue B.0
 Nov 2023 TV
 ECN # 12987
 IPL Ref # 753300

V.1. Wiring Diagram

For Serial Numbers "3D--", "3G--" and "3H--" only.
 Other machines refer to pages 16-28.





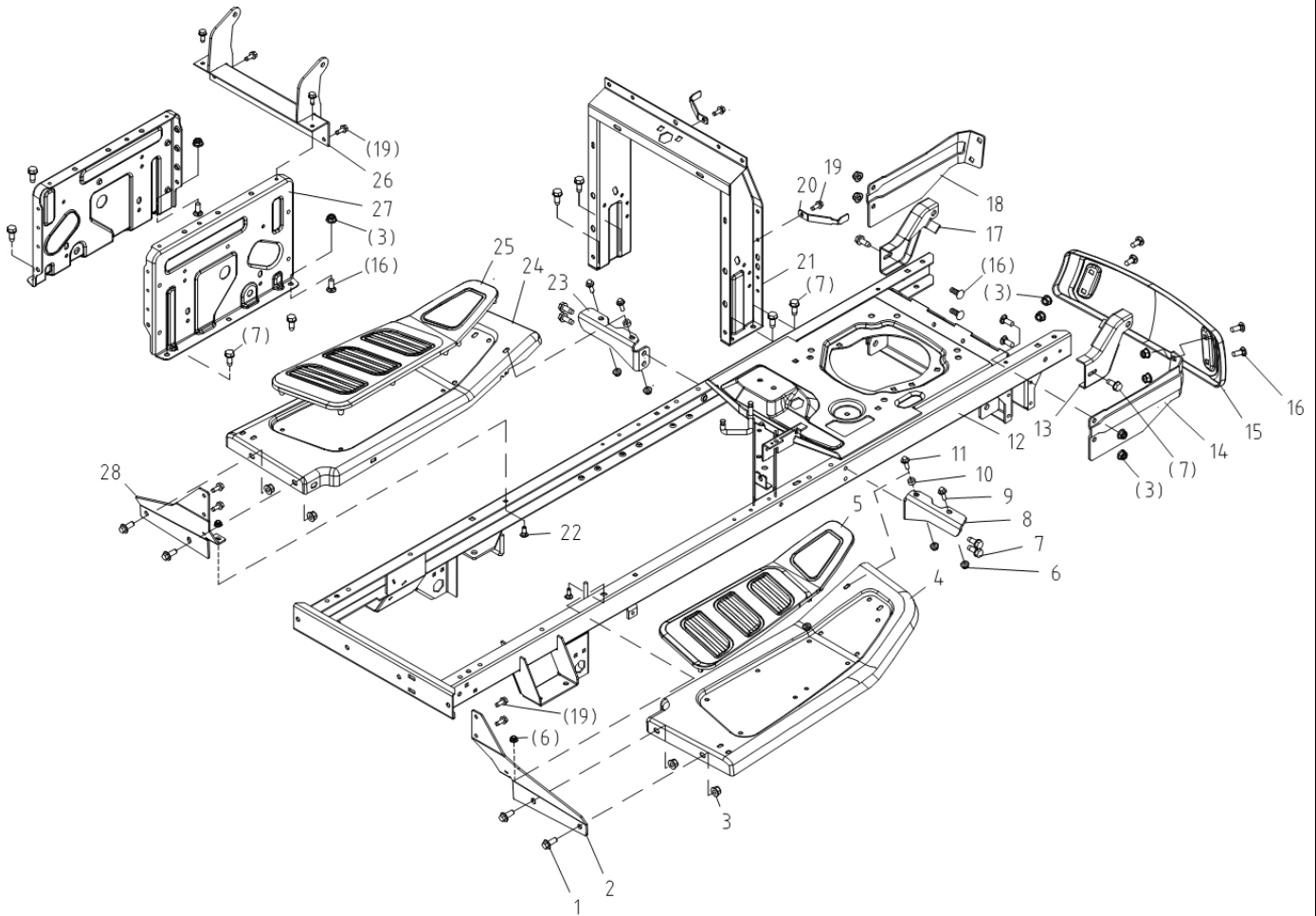
553299 Ride-On
15.0/98SD TTM98
553300 Ride-On
19.0/108SD TTM108



Issue B.0
Nov 2023 TV
ECN # 12987
IPL Ref # 753300

V.2. Chassis

This page is for the latest models. For Serial No's "3D--", "3G--" and "3H--", refer to pages 3-15.



Item	Part No	Description	Qty	Item	Part No	Description	Qty
1	20061274	Bolt, M8x20 - Hex Flanged	4	21	20084401	Frame, Steering Column	1
2	20084428	Bracket, Right Footrest	1	22	20061289	Bolt, M6x16 - Square Neck	2
3	20061348	Lock Nut, M8 Hex Flanged	14	23	20084422	Frame, Support - Left	1
4	20084430	Footrest, Right	1	24	20084429	Footrest, Left	1
5	20084393	Pad, Foot - Right	1	25	20084388	Pad, Foot - Left	1
6	20061385	Lock Nut, M6 Flanged Hex	6	26	20084417	Frame, Seat - Front	1
7	20082799	Bolt, 5/16-18Tx3/4 - Flange	14	27	20084399	Side Plate	2
8	20084427	Frame, Support - Right	1	28	20084414	Bracket, Left Footrest	1
9	20061201	Bolt, M6x16 - Hex Flanged	2				
10	20070916	Bushing, Padded	2				
11	20061196	Bolt, M6x25 - Hex Flanged	2				
12	20088080	Frame, Chassis	1				
13	20084375	Bracket, Eng Cover - Right	1				
14	20088534	Bumper Rod, RH	1				
15	20085086	Bumper, Front	1				
16	20061299	Bolt, Square Neck - M8x20	10				
17	20084403	Bracket, Eng Cover - Left	1				
18	20088532	Bumper Rod, LH	1				
19	20082800	Screw, M6x16 Hex	10				
20	20084384	Brace, Steering Back Cover	2				

When ordering spares: PLEASE QUOTE PART NUMBER & DESCRIPTION, NOT illustrated number. Item Qty = 1 per part unless stated differently.
BOLD TEXT = Assemblies. Descriptions starting with * = items included in the assemblies & may not be available as a spares item.
 Determine the left or right hand sides by standing in the operating position (standing at the handle).



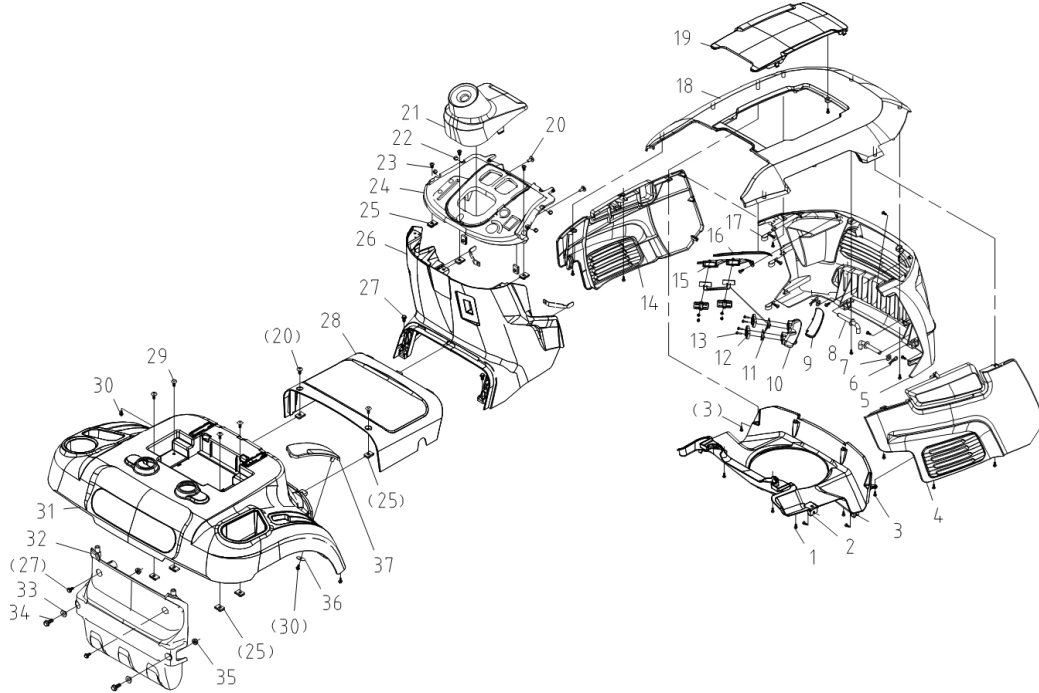
553299 Ride-On
15.0/98SD TTM98
553300 Ride-On
19.0/108SD TTM108



Issue B.0
Nov 2023 TV
ECN # 12987
IPL Ref # 753300

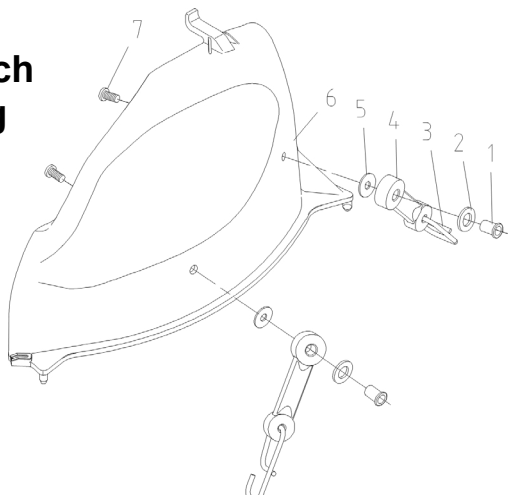
V.2. Hood & Fenders

This page is for the latest models. For Serial No's "3D--", "3G--" and "3H--", refer to pages 3-15.



Item	Part No	Description	Qty	Item	Part No	Description	Qty
1	20061038	Screw, ST4.8x16 Pan Head	27	20	20060893	Screw, M6x16 - Allen FH	4
2	20084507	Wind Shroud	1	21	20084503	Cap, Steering Column	1
3	20084497	Screw, ST4.8x20 Pan Head	2	22	20075146	Rubber, Anti-Vibration	4
4	20085132	Cover, Hood - Right RAL3020	1	23	20061013	Screw, M6x16- Cross Groove FH	3
5	20084511	Panel, Grille	1	24	20084494	Panel, Dash- Upper	1
6	20070576	Spring Pin	2	25	20070630	Buckle Nut, M6	11
7	20061497	Washer, M10	2	26	20084495	Panel, Dash- Lower	1
8	20078136	Pin	2	27	20082800	Screw, M6x16 Hex	6
9	20084500	Cover, Right Light	1	28	20085126	Cover, Central - RAL3020	1
10	20085780	Panel,Light Holder - Right	1	29	20060919	Screw M6x25	4
11	20084627	Board Assy, LED Light	1	30	20084298	Screw, ST4.8x16 Hex Flanged	3
12	20085735	Cover,Lights - Black Base	4	31	20084804	Fender, Rear - Red RAL3020	1
13	20051768	Screw, ST2.9x12 Panhead	8	32	20084803	Cover, Gearbox	1
14	20085125	Cover, Left - Red RAL3020	1	33	20070780	Bushing	2
15	20085779	Panel, Light Holder - Left	1	34	20061274	Bolt, M8x20 - Hex Flanged	2
16	20084508	Cover, Left Light	1	35	20061348	Lock Nut, M8 Hex Flanged	2
17	20050895	Clip, Ignition Wire	4	36	20071676	Gasket, 6x25x1.5mm	1
18	20085131	Cover,Engine - Red RAL3020	1	37	20084501	Panel, Gear Trim	1
19	20085130	Cover, Air Intake RAL3020	1				

V.2. Mulch Plug



Item	Part No	Description	Qty
1	20061423	Nut M6x13.5	2
2	20061542	Washer, M10 - Large	2
3	20071033	Hook, Mulch Plug	2
4	20071032	Strap, Mulch Plug	2
5	20061539	Washer, M6- Large	2
6	543622	Mulch Plug - TTM 98	1
	543623	Mulch Plug - TTM108	
7	20061013	Screw, M6x16- Cross Groove FH	2



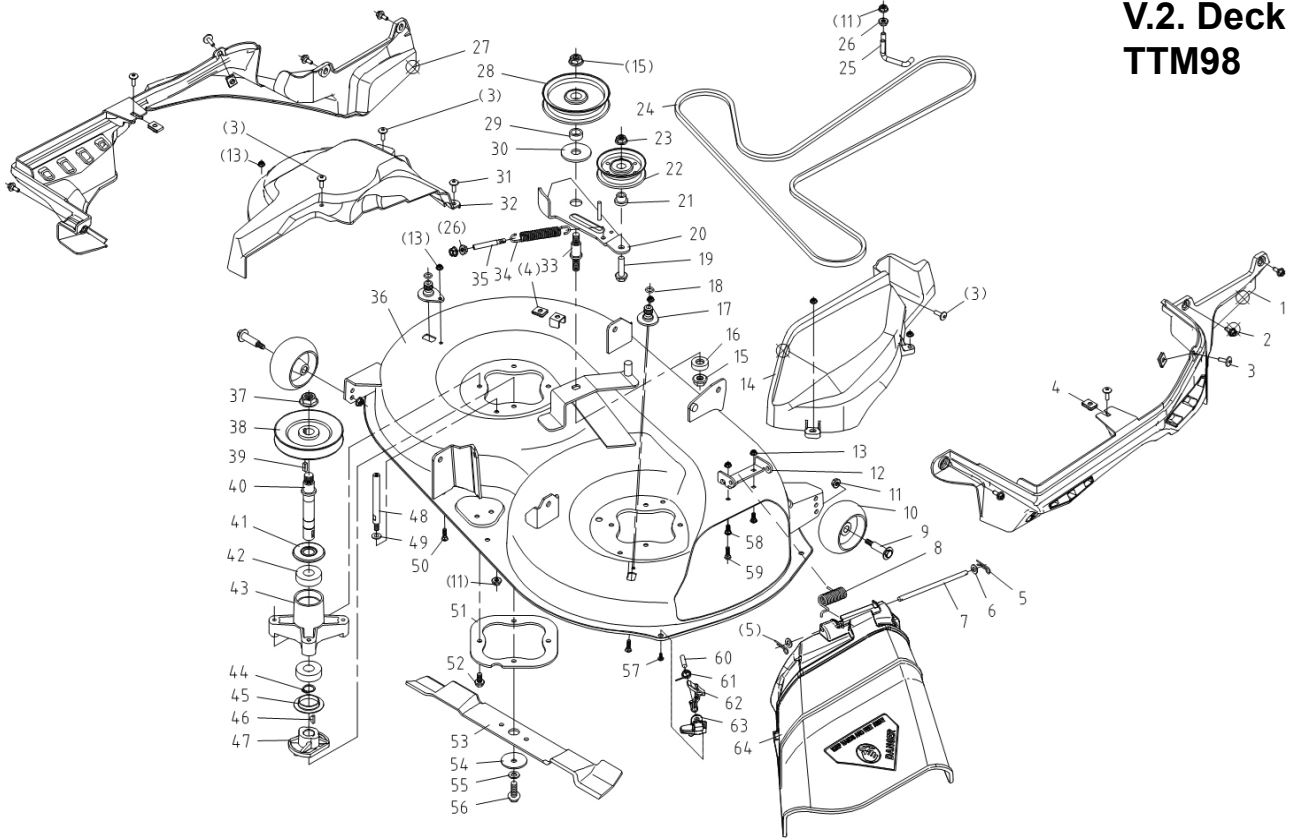
553299 Ride-On
15.0/98SD TTM98
553300 Ride-On
19.0/108SD TTM108



Issue B.0
Nov 2023 TV
ECN # 12987
IPL Ref # 753300

This page is for the latest models. For Serial No's "3D--", "3G--" and "3H--", refer to pages 3-15.

V.2. Deck - TTM98



Item	Part No	Description	Qty	Item	Part No	Description	Qty
1	20086269	Cover, Belt - Right	1	34	20070875	Spring, Tension	1
2	20082801	Screw, ST6.3x11.5 Hex	6	35	20084542	Screw, Adjustment - Deck	1
3	20060893	Screw, M6x16 - Allen FH	7	36	20084846	Deck, 98cm - Black	1
4	20070630	Buckle Nut, M6	5	37	20070627	Nut, Spindle	2
5	20070576	Spring Pin	2	38	20070638	Pulley, Blade	2
6	20061544	Washer, M8x17x1.6mm	2	39	20061650	Key, Flat - 6x18mm	2
7	20082335	Pin, D8x168mm	1	40	20070622	Shaft, Spindle - Blade	2
8	20086192	Spring, Torsion-Discharge Chute	1	41	20071285	Cover, Bearing-Spndl Up	2
9	20085378	Axle, Deck Wheel	2	42	20061625	Bearing, Spindle 6204-2RZ	4
10	20088559	Wheel, Deck- Rounded	2	43	20054347	Housing, Spindle	2
11	20061348	Lock Nut, M8 Hex Flanged	3	44	20061488	Snap Ring, 19mm	2
12	20084843	Hinge, Discharge Chute	1	45	20070635	Cover, Bearing-Spindle Low	2
13	20061385	Lock Nut, M6 Flanged Hex	7	46	20061651	Key, Half Circle - 4x16mm	2
14	20086316	Cover, Pulley - Right	1	47	20054345	Coupling, Blade	2
15	20061359	Lock Nut, M12x1.25 Hex Flanged	2	48	20070892	Stud, Screw	1
16	20070897	Counterbore Sleeve	1	49	20061541	Washer, M8 - Large	1
17	20070624	Wash Port, Deck	2	50	20061249	Bolt, M6x30 - Square Neck	2
18	20055756	O-Ring, 11.2x2.65	2	51	20088737	Plate- Spindle, Deck	2
19	20062521	Bolt, M10x1.25x40 Flange Hex	1	52	20061265	Bolt M8x35, Flanged	8
20	20084840	Plate, Deck Tension Pulleys	1	53	20070984	Blade, 49cm	2
21	20071180	Bushing, Pulley - Tension	1	54	20070623	Washer, Blade	2
22	20071213	Pulley, Tensioner - Deck	1	55	20061497	Washer, M10	2
23	20061405	Nut, M10x1.25 Hex Flanged	1	56	20061267	Bolt, 3/8"-24-11/4" (10.9)	2
24	20071680	V-Belt, 48x900 (AKX2279)	1	57	20051827	Screw, ST4.8x13 PH	1
25	20088529	Stop Rod, Deck Belt	1	58	20061289	Bolt, M6x16 - Square Neck	2
26	20061336	Nut, Hex Flanged - M8	3	59	20061301	Bolt, M6x25 Square Neck	1
27	20086267	Cover, Belt - Left	1	60	20086275	Pin, Self-Locking	1
28	20070908	Pulley, Idler	1	61	20086276	Spring, Torsion-Self Locking	1
29	20070898	Idler Spacer Sleeve	1	62	20086278	Buckle, Self-Lock RAL3020	1
30	20070896	Washer, 17.3x55x4mm	1	63	20086277	Base, Self-Locking - Black	1
31	20060923	Screw, M6x12 Allen FH	1	64	20086249	Discharge Chute, Black	1
32	20086315	Cover, Pulley - Left	1				
33	20070899	Shaft, Idler Pulley	1				

When ordering spares: PLEASE QUOTE PART NUMBER & DESCRIPTION, NOT illustrated number. Item Qty = 1 per part unless stated differently.
BOLD TEXT = Assemblies. Descriptions starting with * = items included in the assemblies & may not be available as a spares item.
 Determine the left or right hand sides by standing in the operating position (standing at the handle).



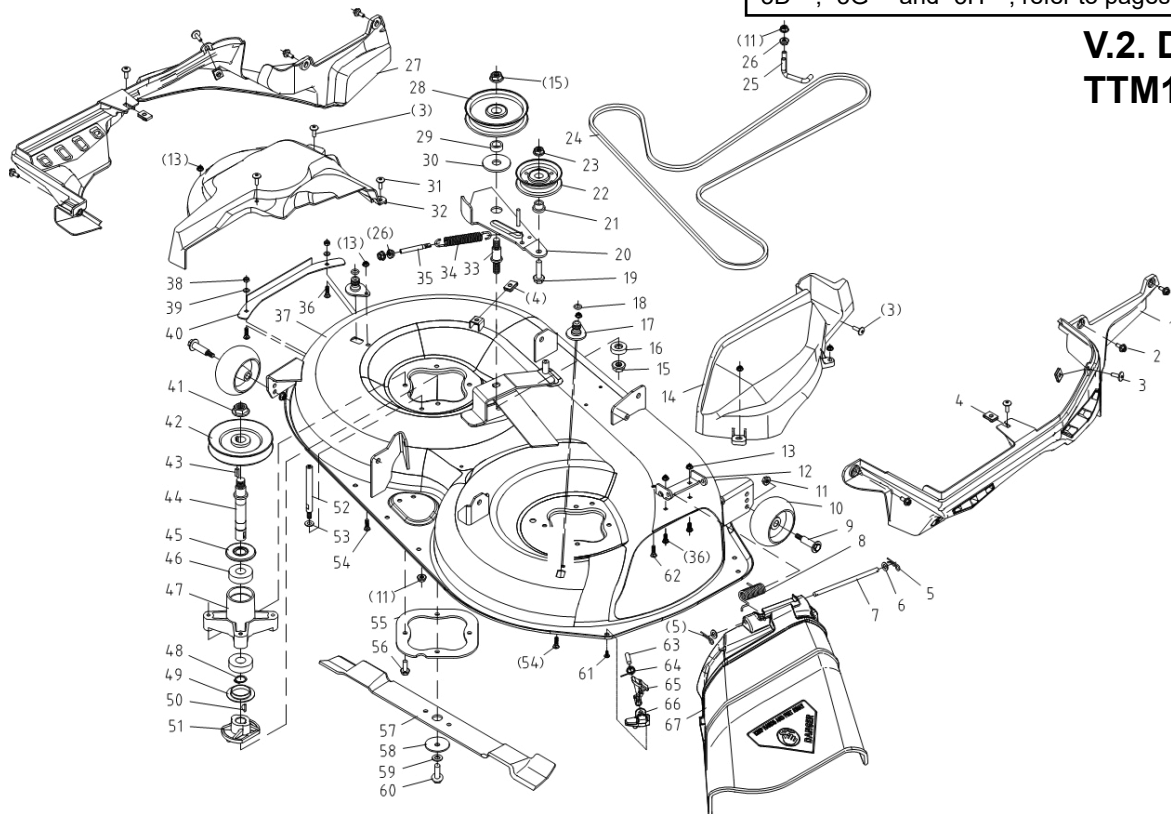
553299 Ride-On
15.0/98SD TTM98
553300 Ride-On
19.0/108SD TTM108

Masport®

Issue B.0
Nov 2023 TV
ECN # 12987
IPL Ref # 753300

This page is for the latest models. For Serial No's "3D--", "3G--" and "3H--", refer to pages 3-15.

V.2. Deck - TTM108



Item	Part No	Description	Qty	Item	Part No	Description	Qty
1	20086269	Cover, Belt - Right	1	36	20061289	Bolt, M6x16 - Square Neck	4
2	20082801	Screw, ST6.3x11.5 Hex	6	37	20084872	Deck, 108cm	1
3	20060893	Screw, M6x16 - Allen FH	7	38	20061421	Lock Nut, M6 Hex	2
4	20070630	Buckle Nut, M6	5	39	20061482	Washer, M6	2
5	20070576	Spring Pin	2	40	20086368	Reinforce Plate,Deck-Left	1
6	20061544	Washer, M8x17x1.6mm	4	41	20070627	Nut, Spindle	2
7	20082335	Pin, D8x168mm	1	42	20070638	Pulley, Blade	2
8	20086192	Spring,Torsion-Discharge Chute	1	43	20061650	Key, Flat - 6x18mm	2
9	20085378	Axle, Deck Wheel	2	44	20070622	Shaft, Spindle - Blade	2
10	20088559	Wheel, Deck- Rounded	2	45	20071285	Cover, Bearing-Spindle Up	2
11	20061348	Lock Nut, M8 Hex Flanged	3	46	20061625	Bearing, Spindle 6204-2RZ	4
12	20084843	Hinge, Discharge Chute	1	47	20054347	Housing, Spindle	2
13	20061385	Lock Nut, M6 Flanged Hex	7	48	20061488	Snap Ring, 19mm	2
14	20086316	Cover, Pulley - Right	1	49	20070635	Cover, Bearing-Spindle Low	2
15	20061359	Lock Nut, M12x1.25 Hex Flanged	2	50	20061651	Key, Half Circle - 4x16mm	2
16	20070897	Counterbore Sleeve	1	51	20054345	Coupling, Blade	2
17	20070624	Wash Port, Deck	2	52	20070892	Stud, Screw	2
18	20055756	O-Ring, 11.2x2.65	2	53	20061541	Washer, M8 - Large	1
19	20062521	Bolt,M10x1.25x40 Flanged Hex	1	54	20061249	Bolt, M6x30 - Square Neck	2
20	20084840	Plate,Deck Tension Pulleys	1	55	20088737	Plate- Spindle, Deck	2
21	20071180	Bushing, Pulley - Tension	1	56	20061265	Bolt M8x35, Flanged	8
22	20071213	Pulley, Tensioner - Deck	1	57	20071405	Blade, 54cm	2
23	20061405	Nut, M10x1.25 Hex Flanged	1	58	20070623	Washer, Blade	2
24	20071679	V-Belt,48x920 (AKX2337)	1	59	20061497	Washer, M10	2
25	20088529	Stop Rod, Deck Belt	1	60	20061267	Bolt, 3/8"-24-11/4" (10.9)	2
26	20061336	Nut, Hex Flanged - M8	3	61	20051827	Screw, St4.8x13 PH	1
27	20086267	Cover, Belt - Left	1	62	20061301	Bolt, M6x25 Square Neck	1
28	20070908	Pulley, Idler	1	63	20086275	Pin, Self-Locking	1
29	20070898	Idler Spacer Sleeve	1	64	20086276	Spring,Torsion-Self Locking	1
30	20070896	Washer, 17.3x55x4mm	1	65	20086278	Buckle, Self-Lock RAL3020	1
31	20060923	Screw, M6x12 Allen FH	1	66	20086277	Base,Self-Locking - Black	1
32	20086315	Cover, Pulley - Left	1	67	20086249	Discharge Chute, Black	1
33	20070899	Shaft, Idler Pulley	1				
34	20070875	Spring, Tension	1				
35	20084542	Screw, Adjustment - Deck	1				

When ordering spares: PLEASE QUOTE PART NUMBER & DESCRIPTION, NOT illustrated number. Item Qty = 1 per part unless stated differently.
BOLD TEXT = Assemblies. Descriptions starting with * = items included in the assemblies & may not be available as a spares item.
Determine the left or right hand sides by standing in the operating position (standing at the handle).



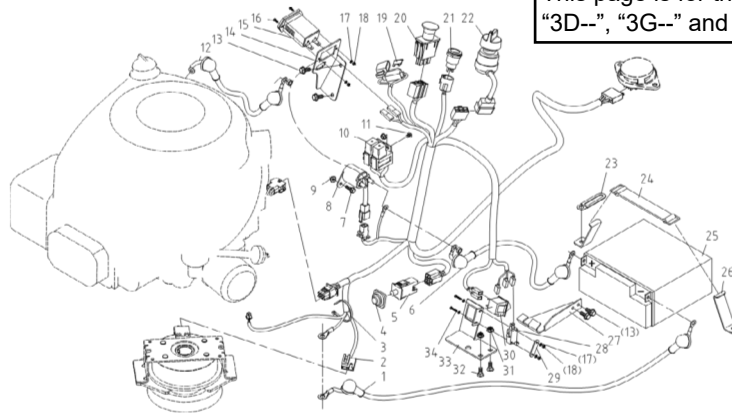
553299 Ride-On
15.0/98SD TTM98
553300 Ride-On
19.0/108SD TTM108



Issue B.0
Nov 2023 TV
ECN # 12987
IPL Ref # 753300

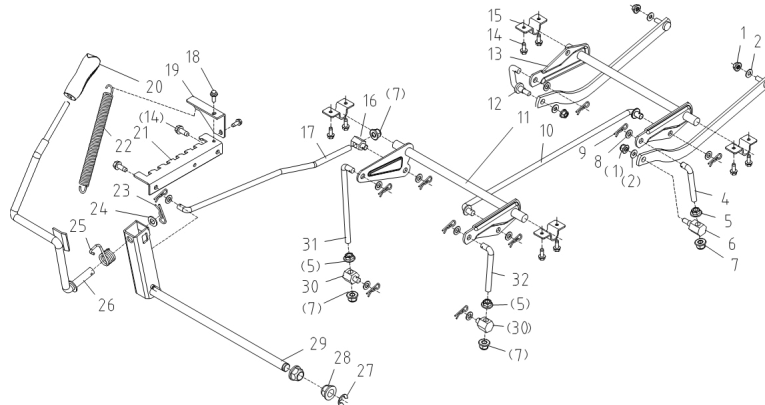
V.2. Electrical

This page is for the latest models. For Serial No's "3D--", "3G--" and "3H--", refer to pages 3-15.



Item	Part No	Description	Qty	Item	Part No	Description	Qty
1	20085496	Cable, Battery-Ground	1	18	20061334	Nut, Switch - Hex M3	4
2	20088999	Wiring Harness	1	19	20085696	Fuse, 20A	1
3	20051895	Cable Tie, 5x200mm	15	20	20062234	Switch, PTO	1
	20086002	Cable Tie	5	21	20089045	Switch - Reverse Cutting	1
4	20062416	Cover, Switch	1	22	20089345	Switch - Ignition	1
5	20089224	Switch, Parking	1	23	20089223	Clamp, Wire	1
6	20084624	Cable, Battery-Positive	1	24	20070744	Strap, Battery	1
7	20061186	Bolt, Flanged M5x16	2	25	20071324	Battery-12V 18Ah (Not stocked)	1
8	20071221	Starter Relay ST188F	1	26	20084632	Hook, Battery Strap	2
9	20061341	Lock Nut, M5 Hex Flanged	3	27	20084636	Lever, Neutral Switch	1
10	20089006	Relay YAP23H-12-HR	2	28	20071232	Switch Assy, Alarm	1
11	20062522	Screw M5x12, Hex	1	29	20084628	Pad, Microswitch	1
12	20084637	Cable, Starter	1	30	20086270	Switch, 2 Pin-Normally Closed	2
13	20082800	Screw, M6x16 Hex	4	31	20061385	Lock Nut, M6 Flanged Hex	2
14	20087086	Mounting Plate, Hour Meter	1	32	20061289	Bolt, M6x16 - Square Neck	2
15	20081704	Hour Meter	1	33	20084629	Mounting Plate, Switch	1
16	20087039	Screw M3x12 - Pan Head	2	34	20051763	Screw, M3x20 - Pan Head	2
17	20084633	Washer, M3 - Serrated	6				

V.2. Suspension



Item	Part No	Description	Qty	Item	Part No	Description	Qty
1	20061348	Lock Nut, M8 Hex Flanged	4	17	20084726	Pull-Rod, Lifting Lever	1
2	20061541	Washer, M8 - Large	4	18	20082800	Screw, M6x16 Hex	2
3	20084556	Stay Bar, Front (TTM98 ONLY)	2	19	20085316	Plate, Height Adj Spring	1
3	20086961	Stay Bar, Front (TTM108 ONLY)	2	20	20070900	Handle, Cutting Height	1
4	20084557	Boom, Front Right	1	21	20084549	Ratchet Plate, Height Adjustment	1
5	20061369	Nut, M10x1.25 - Flanged Hex	3	22	20084564	Spring, Tension- Height Adjustment	1
6	20084533	Pin, Front Susp	1	23	20071251	Cotter Pin, 3mm	1
7	20061405	Nut, M10x1.25 Hex Flanged	4	24	20062529	Washer, M14x1.5	1
8	20061497	Washer, M10	10	25	20071354	Torsion Spring, Height Lever	1
9	20070576	Spring Pin	10	26	20084535	Lever, Height Adjustment	1
10	20084722	Linkage, Front-Rear Height	1	27	20061473	Circlip, 12mm	1
11	20084723	Rear Arm	1	28	20070612	Bushing, Hex- Steering	2
12	20084553	U-Linkage, Front Arms	1	29	20084537	Linkage, Deck Lift - Rear	1
13	20084560	Front Arm	1	30	20085750	Pin, Connector - Plated	2
14	20082799	Bolt, 5/16-18Tx3/4 - Flange	10	31	20084727	Lever, Adjustment - Left Rear	1
15	20084532	U-Bracket, Brake Bar	4	32	20085749	Lever, Adjustment - Right Rear	1
16	20070967	Pin, Height Adjuster	1				

When ordering spares: PLEASE QUOTE PART NUMBER & DESCRIPTION, NOT illustrated number. Item Qty = 1 per part unless stated differently.
BOLD TEXT = Assemblies. Descriptions starting with * = items included in the assemblies & may not be available as a spares item.
 Determine the left or right hand sides by standing in the operating position (standing at the handle).



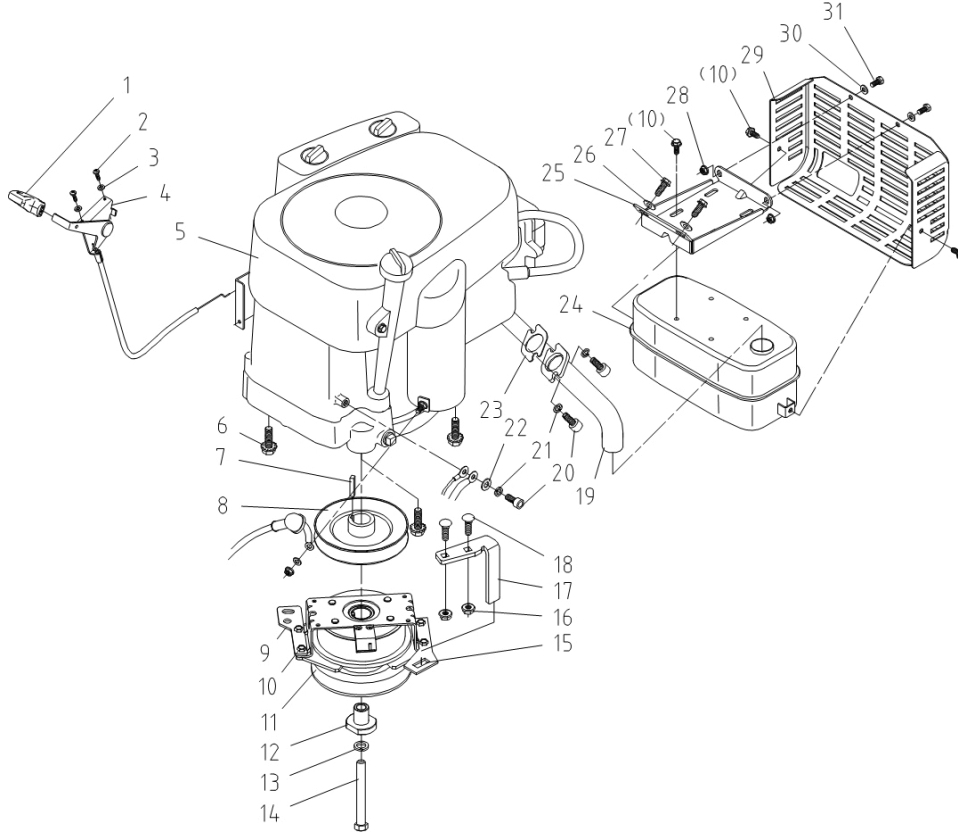
553299 Ride-On
15.0/98SD TTM98
553300 Ride-On
19.0/108SD TTM108



Issue B.0
Nov 2023 TV
ECN # 12987
IPL Ref # 753300

V.2. Engine 452H - TTM98

This page is for the latest models. For Serial No's "3D--", "3G--" and "3H--", refer to pages 3-15.



Item	Part No	Description	Qty	Item	Part No	Description	Qty
1	20084362	Knob, Choke	1	27	20082799	Bolt, 5/16-18Tx3/4 - Flange	2
2	20051803	Screw, M4x16- Cross Groove PH	2	28	20061346	Lock Nut, M6 - Flanged	2
3	20061531	Washer, M4	2	29	20071219	Cover, Exhaust	1
4	20071241	Cable, Throttle	1	30	20061539	Washer, M6- Large	2
5	LC1P92F-1	Engine 452cc LC1P96F-1	1	31	20061184	Bolt, M6x26 - Hex	2
6	20061285	Screw, ST3/8"-16-11/4"	4	For internal engine spares, please search the engine model "LC1P92F-1" on the Masport dealer portal, or contact the Masport customer services team.			
7	20070519	Key, Flat - 6.35x30mm	1				
8	20071187	Pulley, Engine	1				
9	20088530	Plate, Clutch	1				
10	20082800	Screw, M6x16 Hex	10				
11	20085206	Clutch, Electromag (Kokura)	1				
12	20085758	Bushing, Clutch Step	1				
13	20061455	Spring Washer, 7/16"	1				
14	20062410	Bolt, 7/16"-20-3"	1				
15	20085121	Plate, Clutch	1				
16	20061348	Lock Nut, M8 Hex Flanged	2				
17	20085859	Baffle, Clutch	1				
18	20061299	Bolt, Square Neck - M8x20	2				
19	20074428	Exhaust	1				
20	20060850	Screw, 5/16"-18-3/4"	3				
21	20061453	Spring Washer, 5/16"	3				
22	20061431	Washer, M8	1				
23	20070868	Gasket, Exhaust	1				
24	20071214	Muffler	1				
25	20084296	Plate, Muffler	1				
26	20061541	Washer, M8 - Large	2				



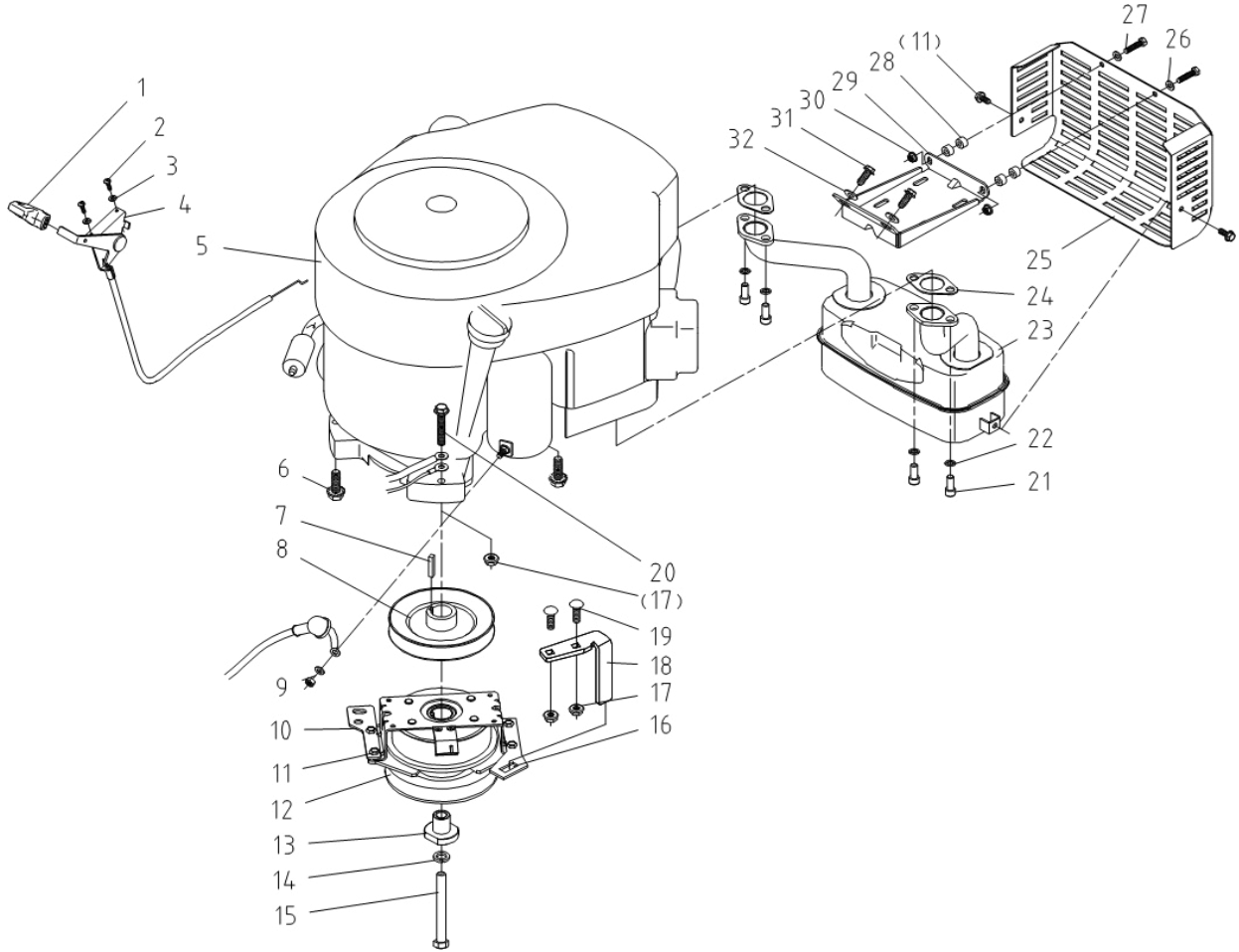
553299 Ride-On
15.0/98SD TTM98
553300 Ride-On
19.0/108SD TTM108



Issue B.0
Nov 2023 TV
ECN # 12987
IPL Ref # 753300

V.2. Engine 586H - TTM108

This page is for the latest models. For Serial No's "3D--", "3G--" and "3H--", refer to pages 3-15.



Item	Part No	Description	Qty	Item	Part No	Description	Qty
1	20084362	Knob, Choke	1	23	20084879	Muffler	1
2	20051803	Screw, M4x16- Cross Groove PH	2	24	20070868	Gasket, Exhaust	2
3	20061531	Washer, M4	2	25	20085348	Guard, Muffler	1
4	20071440	Cable, Throttle	1	26	20061539	Washer, M6- Large	2
5	LC2P73F	Engine, LC2P73F - 586cc	1	27	20061197	Bolt M6x25, Hex	2
6	20061285	Screw, ST3/8"-16-11/4"	3	28	20085755	Spacer- ID6.2 X OD12 X 6	4
7	20070519	Key, Flat - 6.35x30mm	1	29	20084296	Plate, Muffler	1
8	20071187	Pulley, Engine	1	30	20061346	Lock Nut, M6 - Flanged	2
9	20061482	Washer, M6	1	31	20082799	Bolt,5/16-18Tx3/4 - Flanged	2
10	20088530	Plate, Clutch	1	32	20061541	Washer, M8 - Large	2
11	20082800	Screw, M6x16 Hex	6				
12	20085206	Clutch,Electromag (Kokura)	1				
13	20085758	Bushing, Clutch Step	1				
14	20061455	Spring Washer, 7/16"	1				
15	20062410	Bolt, 7/16"-20-3"	1				
16	20085121	Plate, Clutch	1				
17	20061348	Lock Nut, M8 Hex Flanged	3				
18	20085859	Baffle, Clutch	1				
19	20061299	Bolt, Square Neck - M8x20	2				
20	20061254	Bolt, M8x40 - Hex Flanged	1				
21	20060850	Screw, 5/16"-18-3/4"	4				
22	20061453	Spring Washer, 5/16"	4				

For internal engine spares, please search the engine model "LC2P73F" on the Masport dealer portal, or contact the Masport customer services team.



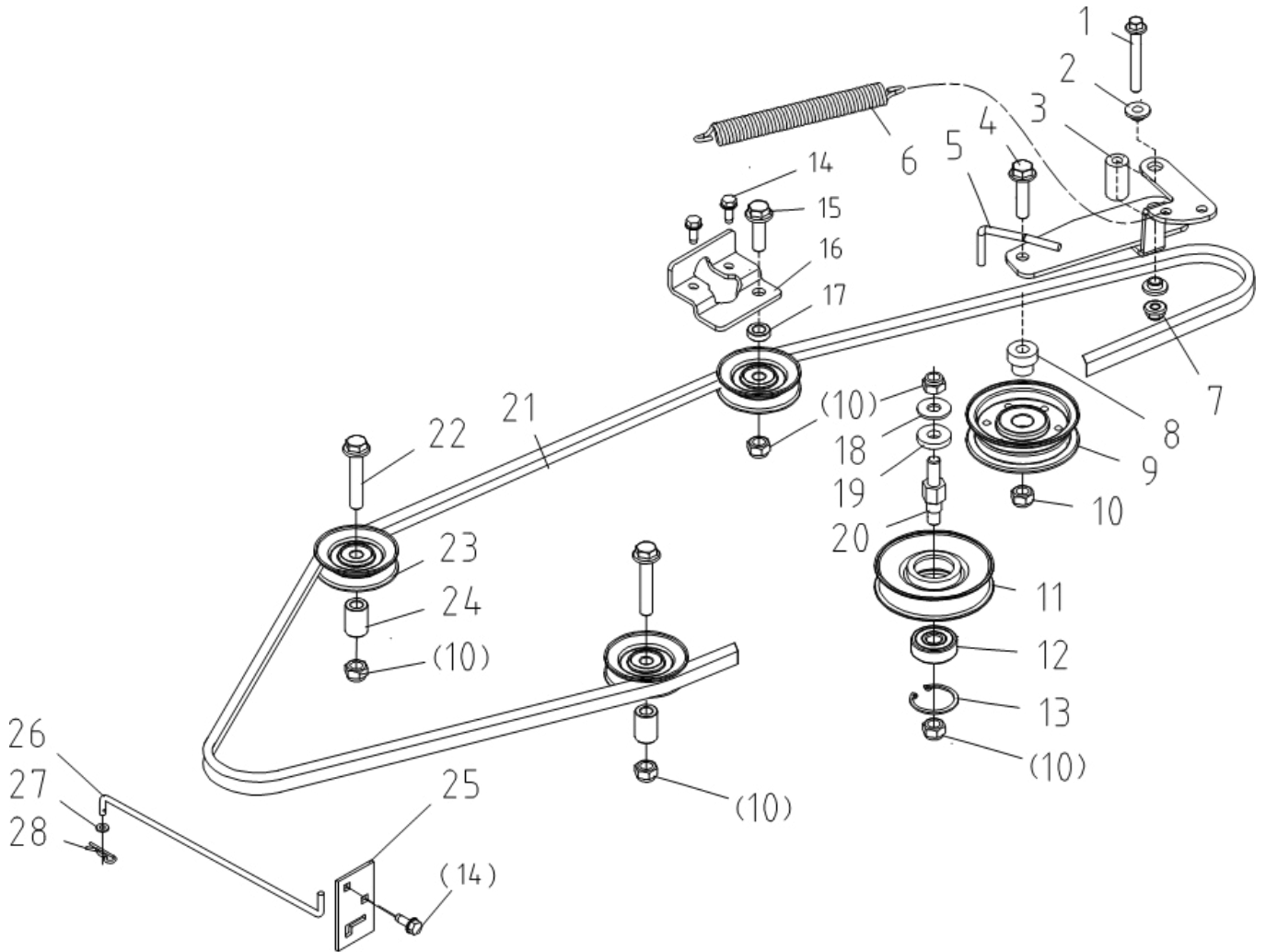
553299 Ride-On
15.0/98SD TTM98
553300 Ride-On
19.0/108SD TTM108



Issue B.0
Nov 2023 TV
ECN # 12987
IPL Ref # 753300

V.2. Drive Belt Assembly

This page is for the latest models. For Serial No's "3D--", "3G--" and "3H--", refer to pages 3-15.



Item	Part No	Description	Qty	Item	Part No	Description	Qty
1	20061275	Bolt, M8x60 - Hex Flanged	1	19	20062499	Washer, 27x10.5x5	1
2	20070780	Bushing	2	20	20084441	Bolt, Tension Pulley-Drive	1
3	20084436	Spacer Sleeve, 8x18x33mm	1	21	20085198	V-Belt, LG4-1030	1
4	20062521	Bolt, M10x1.25x40 Flanged Hex	1	22	20062515	Bolt, M10x1.25x50 Flanged Hex	2
5	20084440	Plate, Tensioner Arm	1	23	20071208	Pulley, Guide - Drive	3
6	20070875	Spring, Tension	1	24	20084442	Sleeve, Guide Pulley	2
7	20061336	Nut, Hex Flanged - M8	1	25	20084655	Seat, Oil Drain Rod	1
8	20071180	Bushing, Pulley - Tension	1	26	20085197	Push Rod, Oil Drain K46DR	1
9	20071213	Pulley, Tensioner - Deck	1	27	20061445	Washer, M5	1
10	20061403	Lock Nut, M10x1.25 - Hex	6	28	20059765	Cotter Pin, Fuel Tank Cap	1
11	20070536	Pulley, Tensioner	1				
12	20061626	Bearing, 6301-2RS-Tensioner	1				
13	20061549	Snap Ring, 37mm	1				
14	20082800	Screw, M6x16 Hex	4				
15	20061284	Bolt M10 X 1.25 X 35 - Flanged	1				
16	20088482	Baseplate - Guide Pulley	1				
17	20088483	Spacer ID 10 X OD 18 X 7	1				
18	20061542	Washer, M10 - Large	1				

When ordering spares: PLEASE QUOTE PART NUMBER & DESCRIPTION, NOT illustrated number. Item Qty = 1 per part unless stated differently.
BOLD TEXT = Assemblies. Descriptions starting with * = items included in the assemblies & may not be available as a spares item.
 Determine the left or right hand sides by standing in the operating position (standing at the handle).



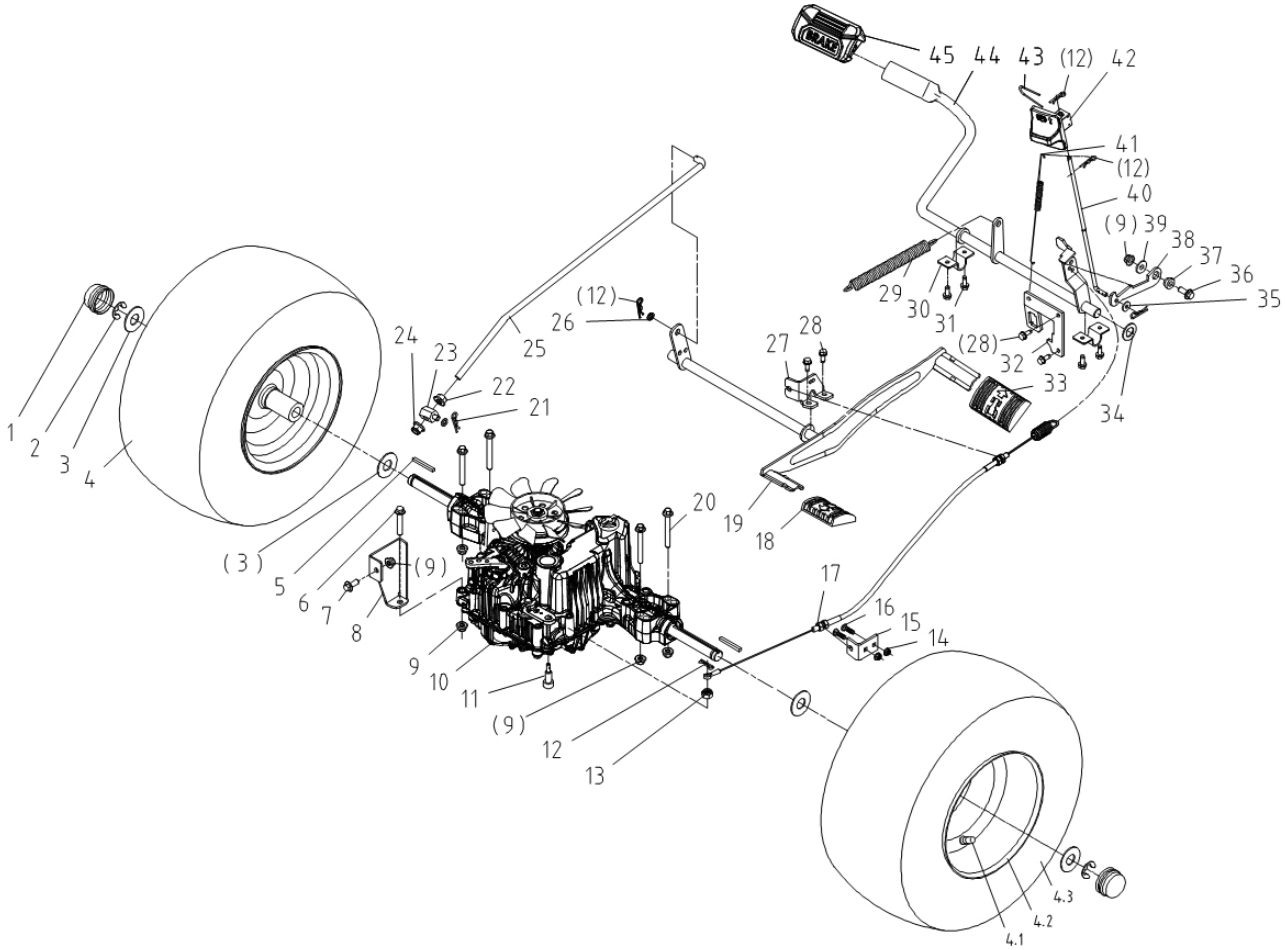
553299 Ride-On
15.0/98SD TTM98
553300 Ride-On
19.0/108SD TTM108



Issue B.0
Nov 2023 TV
ECN # 12987
IPL Ref # 753300

V.2. Pedal Controls

This page is for the latest models. For Serial No's "3D--", "3G--" and "3H--", refer to pages 3-15.



Item	Part No	Description	Qty	Item	Part No	Description	Qty
1	20068187	Hub Cap	2	23	20085748	Pin, Tie Rod	1
2	20061430	Circlip, 15mm	2	24	20061403	Lock Nut, M10x1.25 - Hex	1
3	20071143	Washer, Wheel - 20x43x3mm	4	25	20085194	Pull Rod, Drive	1
4	20086530	Wheel Assy, Rear- 18x8.5-8	2	26	20061497	Washer, M10	1
4.1	20061665	Valve, Z2-01-1,GB/T3900-1997	2	27	20088861	Fixing Plate, Brake Cable	1
4.2	20060810	Rim, Rear Wheel	2	28	20082800	Screw, M6x16 Hex	4
4.3	20083979	Tyre, Rear - 18x8.5-8	2	29	20084574	Spring,Tension- Brake Return	1
5	20071174	Key, Flat - 4.85x60mm	2	30	20084532	U-Bracket, Brake Bar	2
6	20061254	Bolt, M8x40 - Hex Flanged	1	31	20082799	Bolt,5/16-18tx3/4 - Flange	4
7	20061274	Bolt, M8x20 - Hex Flanged	1	32	20089015	Fixing Plate, Brake Switch	1
8	20085196	Plate,Fixing-Rear	1	33	20068230	Pedal, Forward	1
9	20061348	Lock Nut, M8 Hex Flanged	6	34	20073313	Washer- ID 16.5 X OD 30 X 1.5	1
10	20086645	Transaxle, K46DR	1	35	20061482	Washer, M6	1
11	20086191	Pin, Shaft	1	36	20061250	Bolt M8x30, Flanged	1
12	20070582	Cotter Pin	4	37	20088842	Flanged Insert	1
13	20061419	Lock Nut, M10- Hex	1	38	20089014	Plate, Parking Brake	1
14	20061385	Lock Nut, M6 Flanged Hex	2	39	20061541	Washer, M8 - Large	1
15	20085192	Bracket, Brake Cable	1	40	20088846	Drag Link, Parking Brake	1
16	20061289	Bolt, M6x16 - Square Neck	2	41	20070894	Spring, Parking Brake Reset	1
17	20088865	Brake Cable V.2	1	42	20084583	Handle, Parking Brake - RAL3020	1
18	20068229	Pedal, Reverse	1	43	20084581	U-Bolt, Handle-Brake	1
19	20084591	Lever, Pedals	1	44	20088844	Lever, Brake Pedal V.2	1
20	20061310	Bolt, M8x65 - Hex Flanged	4	45	20082728	Pedal, Brake	1
21	20070576	Spring Pin	1				
22	20061369	Nut,M10x1.25 - Flanged Hex	4				

When ordering spares: PLEASE QUOTE PART NUMBER & DESCRIPTION, NOT illustrated number. Item Qty = 1 per part unless stated differently.
BOLD TEXT = Assemblies. Descriptions starting with * = items included in the assemblies & may not be available as a spares item.
 Determine the left or right hand sides by standing in the operating position (standing at the handle).



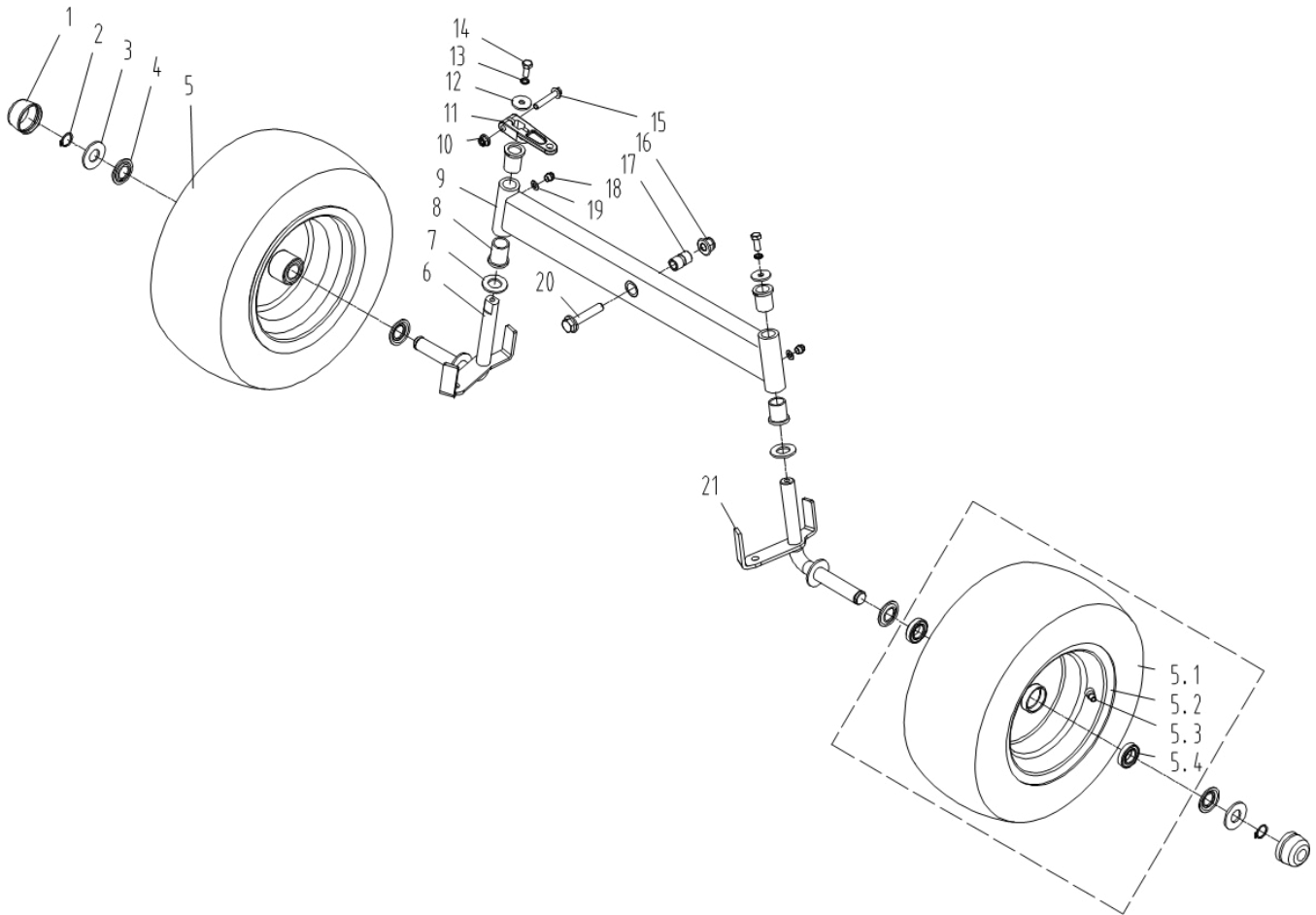
553299 Ride-On
15.0/98SD TTM98
553300 Ride-On
19.0/108SD TTM108



Issue B.0
Nov 2023 TV
ECN # 12987
IPL Ref # 753300

V.2. Front Axle

This page is for the latest models. For Serial No's "3D--", "3G--" and "3H--", refer to pages 3-15.



Item	Part No	Description	Qty	Item	Part No	Description	Qty
1	20068187	Hub Cap	2	17	20084370	Liner Tube, Front Axle	1
2	20061488	Snap Ring, 19mm	2	18	20061649	Nozzle, Oil Injection - M6	2
3	20071143	Washer, Wheel - 20x43x3mm	2	19	20061482	Washer, M6	2
4	20071144	Washer, Front Wheels	4	20	20085752	Bolt, M12x1.25x55 Flanged	1
5	20086529	Front Wheel Assembly 15x6-6	2	21	20084367	Axle, Wheel - Front Right	1
5.1	20083980	Tyre, Front - 15x6-6	2				
5.2	20071149	Hub, Wheels - Front	2				
5.3	20061665	Valve, Z2-01-1,GB/T3900-1997	2				
5.4	20061595	Bearing,61904-2RZ -F/Wheel	4				
6	20084372	Axle, Wheel - Front Left	1				
7	20061444	Washer, M20-Front Axle	2				
8	20070566	Bushing, Front Axle	4				
9	20084364	Linkage, Front Axle	1				
10	20061348	Lock Nut, M8 Hex Flanged	1				
11	20070941	Steering Arm	1				
12	20055114	Washer, Front Axle	2				
13	20061533	Spring Washer, 8mm	2				
14	20061291	Bolt, M8x20	2				
15	20061256	Bolt, M8x45 - Hex Flanged	1				
16	20061359	Lock Nut,M12x1.25 Hex Flanged	1				

When ordering spares: PLEASE QUOTE PART NUMBER & DESCRIPTION, NOT illustrated number. Item Qty = 1 per part unless stated differently.
BOLD TEXT = Assemblies. Descriptions starting with * = items included in the assemblies & may not be available as a spares item.
 Determine the left or right hand sides by standing in the operating position (standing at the handle).



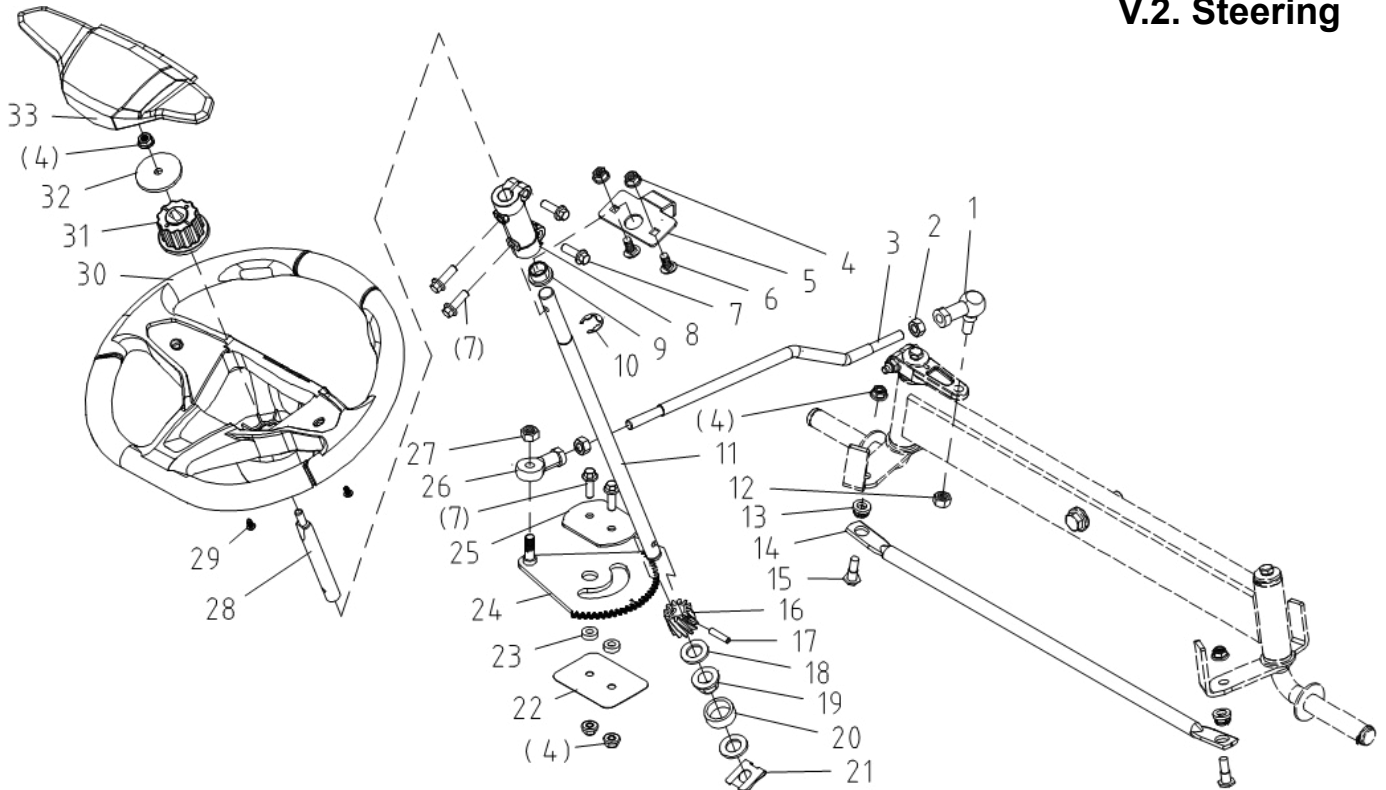
553299 Ride-On
15.0/98SD TTM98
553300 Ride-On
19.0/108SD TTM108



Issue B.0
Nov 2023 TV
ECN # 12987
IPL Ref # 753300

This page is for the latest models. For Serial No's "3D--", "3G--" and "3H--", refer to pages 3-15.

V.2. Steering



Item	Part No	Description	Qty	Item	Part No	Description	Qty
1	20085366	Joint Bearing,M10-Steering	1	25	20070942	Plate, Double Hole -Steering	1
2	20061399	Nut, M10 - Drag Link	2	26	20061641	Joint Bearing, SIJK10C	1
3	20084461	Drag Rod, Steering	1	27	20061403	Lock Nut, M10x1.25 - Hex	1
4	20061348	Lock Nut, M8 Hex Flanged	7	28	20084465	Adapter, Steering Wheel	1
5	20084463	Plate, Steering	1	29	20051824	Screw, ST4.8x16 Pan Head	2
6	20061299	Bolt, Square Neck - M8x20	2	30	20082707	Wheel, Steering-Rubber Blk	1
7	20061298	Bolt, M8x25 Flanged Hex	6	31	20079969	Hub, Splined - Steering Wheel	1
8	20083389	Coupling Sleeve, Steering	1	32	20082683	Washer, Steering Wheel	1
9	20082643	Bushing, Nylon	1	33	20082679	Cover, Steering Wheel RAL3020 Red	1
10	20061548	Circlip, 15mm	1				
11	20084458	Column, Steering	1				
12	20061419	Lock Nut, M10- Hex	1				
13	20084462	Bush, Rubber - Tie Rod	2				
14	20084456	Tie Rod, Steering	1				
15	20084459	Screw, M8x28	2				
16	20084457	Pinion, Steering	1				
17	20061569	Pin, D6 X 26	1				
18	20061437	Washer, M16-Steering Rack	2				
19	20070612	Bushing, Hex- Steering	1				
20	20071127	Bushing, Nylon	1				
21	20085898	Retaining Block, 16mm	1				
22	20070939	Tie Plate, SS	1				
23	20070932	Bushing, Steering Plate	2				
24	20084464	Rack, Steering	1				

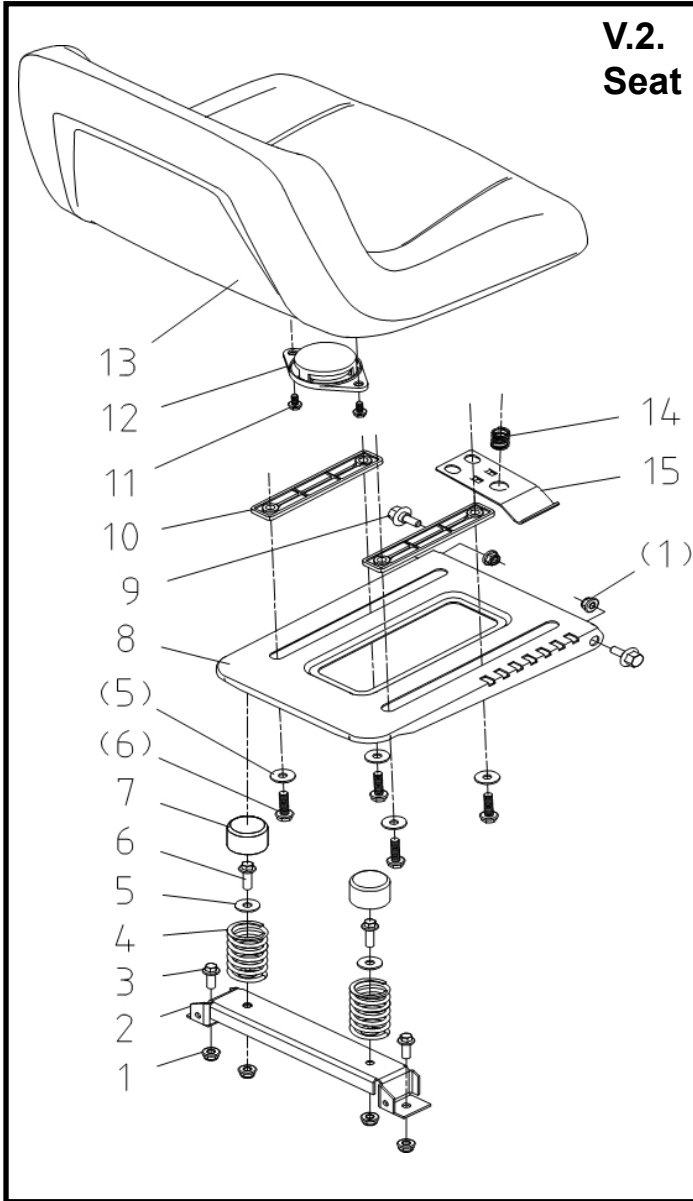
When ordering spares: PLEASE QUOTE PART NUMBER & DESCRIPTION, NOT illustrated number. Item Qty = 1 per part unless stated differently.
BOLD TEXT = Assemblies. Descriptions starting with * = items included in the assemblies & may not be available as a spares item.
 Determine the left or right hand sides by standing in the operating position (standing at the handle).



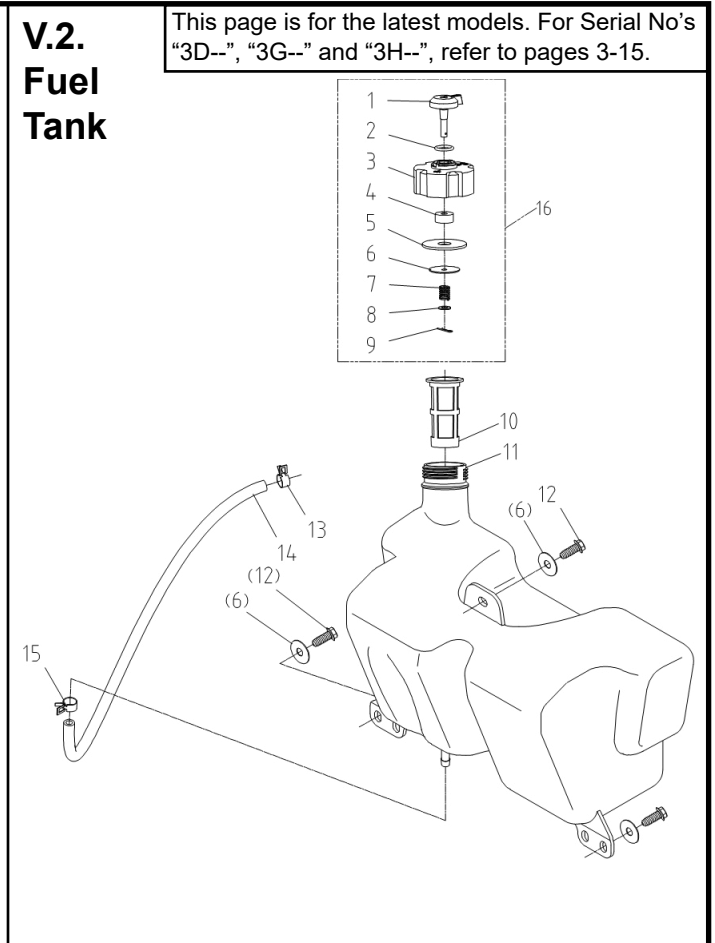
553299 Ride-On
15.0/98SD TTM98
553300 Ride-On
19.0/108SD TTM108



Issue B.0
Nov 2023 TV
ECN # 12987
IPL Ref # 753300



Item	Part No	Description	Qty
1	20061348	Lock Nut, M8 Hex Flanged	6
2	2008447	Crossbeam, Support - Seat	1
3	20061274	Bolt, M8x20 - Hex Flanged	4
4	20070964	Spring, Compression - Seat	2
5	20061541	Washer, M8 - Large	6
6	20061298	Bolt, M8x25 Flanged Hex	6
7	20068240	Cap, Spring - Seat	2
8	20085449	Baseplate- Seat, Adjustable	1
9	20088755	Screw, Baseplate- Seat	2
10	20088754	Padding Strip, Seat	2
11	20082800	Screw, M6x16 Hex	2
12	20088756	Switch, Seat V.2	1
13	20088757	Seat	1
14	20085377	Spring- Seat Adjuster	1
15	20085375	Seat Adjuster	1



This page is for the latest models. For Serial No's "3D--", "3G--" and "3H--", refer to pages 3-15.

Item	Part No	Description	Qty
1	20059754	Lever, Fuel Tank Cap	1
2	20071493	O-Ring, Cap - Fuel Tank	1
3	20059760	Cap, Fuel Tank	1
4	20059763	Filter Element, F/Tank Cap	1
5	20071494	Seal, Fuel Tank Cap	1
6	20071676	Gasket, 6x25x1.5mm	4
7	20059764	Spring, Fuel Tank Cap	1
8	20061445	Washer, M5	1
9	20059765	Cotter Pin, Fuel Tank Cap	1
10	20059766	Filter Cap, Fuel Tank	1
11	20071228	Fuel Tank	1
12	20082800	Screw, M6x16 Hex	3
13	20062744	Clamp, Fuel Hose D10mm	1
14	20070865	Fuel Hose, D6x10mm	1
15	20071161	Clamp, DW-Fuel Hose D10mm	1
16	20071747	Cap Assy, Fuel Tank	1



553299 Ride-On
15.0/98SD TTM98
553300 Ride-On
19.0/108SD TTM108



Issue B.0
Nov 2023 TV
ECN # 12987
IPL Ref # 753300

V.2. Wiring Diagram

This page is for the latest models. For Serial No's "3D--", "3G--" and "3H--", refer to pages 3-15.

