

Masport®

ROTARY MOWERS

SERIES 19

Part Number

565828

Model

PRO POWER SP 20

Engine

B&S Series 850

Month and Year of First Manufacture: Nov 2020

From Serial Number: 8505270

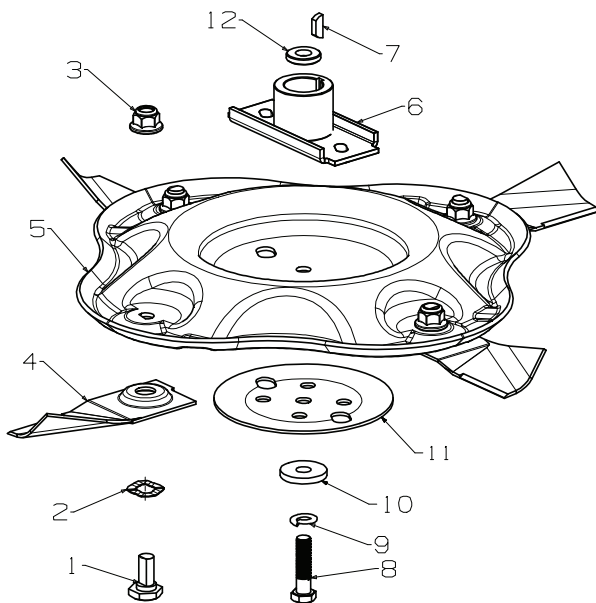


Spares Version

Issue A.1
May 2022 PB
ECN # 04337
IPL Ref # 765828



485mm Disc Blade Assembly- Wavy



Item	Part No	Description	Qty
1	581707	Bolt- Pivot M10 x 22	4
2	580693	Washer, Wavy 13.4 x 24.2	4
3	503672	Nut, M10 Hex Nyloc Flange	4
4	983310	Blade- Quick Cut, 485mm	4
5	783314	KIT-Disc Blade Wavy (Includes items: 8, 9, 10, 11)	1
6	031640	Driver Assy- Blade, 25mm	1
7	503363	Key, Woodruff, 5/8 x 3/16 x 1/4	1
8	503543	Bolt; Hex NF 3/8 x 1.5 NYG8	1
9	500204	Washer, Spring 3/8"	1
10	503855	Washer, Flat 9.75 x 30 x 4	1
11	567332	Plate- Stiffener, Disc Blade Assy	1
12	583542	Spacer- Base 10.5 x 22 x 6	1

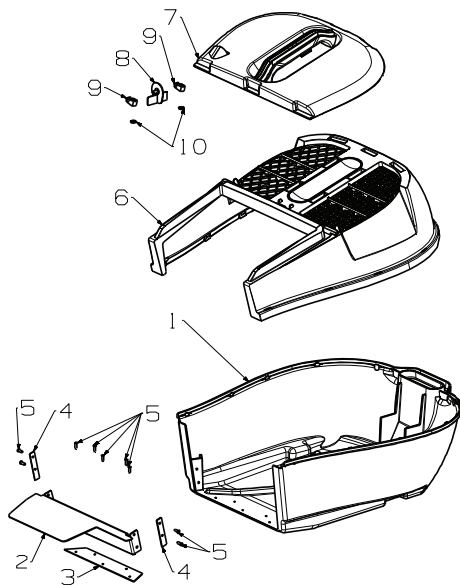
Blade & Bolt Sets

783692 Bolt Set (4), Includes Items: 1, 2, 3

783310 Blade-Quick Cut (4per) 485mm, Includes Items: 1, 2, 3, 4

769449 Disc Assy- Wavy (4 Blade) 485mm, Includes Items: 1, 2, 3, 4, 5, 8, 9, 10, 11

Catcher Assembly 19" (ind) Black



Item	Part No	Description	Qty
1	973677	Catcher- Bottom, 19" SP Brnd Blk	1
2	573676	*Lip- Catcher, 19" ST SP	1
3	583565	*Plate- Backing, Catcher MSV SP	1
4	982223	*Plate- Rivet, Catcher Backing	2
5	501303	*Rivet- Pop 4.0 x 7.9 73AS5-5	9
6	579051	Catcher- Top, 19" Black	1
7	579085	Catcher- Lid, 19" Ind MSV Black	1
8	582548	Indicator- Catcher	1
9	582550	Clamp- Indicator Retainer	2
10	503381	Clip- Starlock, 4dia	2
Not Illustrated			
	582568	Decal, Catcher Indicator	1

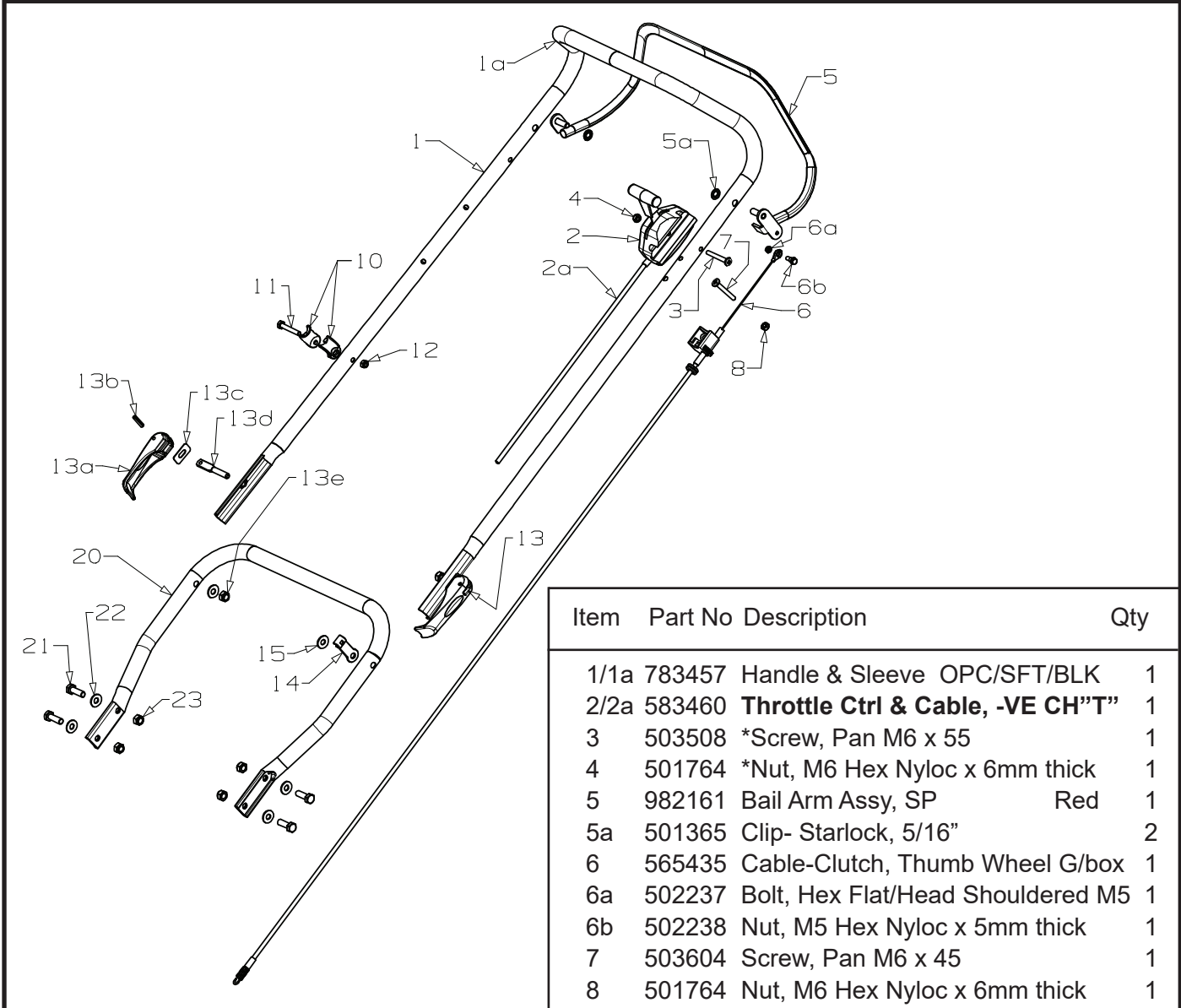
Note, The Catcher Assembly as shown above is supplied with the mower.
 Due to low demand, the replacement catcher is not supplied with the Grass Indicator option
 Replacement Catcher use: 773678 Catcher Assy- Plastic, 19" ST SP Black Base



565828 Ser 19
PRO POWER SP 20
 Spares Version

Masport®

Issue A.1
 May 2022 PB
 ECN # 04337
 IPL Ref # 765828



Item	Part No	Description	Qty
	1/1a	783457 Handle & Sleeve OPC/SFT/BLK	1
	2/2a	583460 Throttle Ctrl & Cable, -VE CH"T	1
	3	503508 *Screw, Pan M6 x 55	1
	4	501764 *Nut, M6 Hex Nyloc x 6mm thick	1
	5	982161 Bail Arm Assy, SP Red	1
	5a	501365 Clip- Starlock, 5/16"	2
	6	565435 Cable-Clutch, Thumb Wheel G/box	1
	6a	502237 Bolt, Hex Flat/Head Shouldered M5	1
	6b	502238 Nut, M5 Hex Nyloc x 5mm thick	1
	7	503604 Screw, Pan M6 x 45	1
	8	501764 Nut, M6 Hex Nyloc x 6mm thick	1
	10	703856 Comfort Start Kit	1
	11	503794 *Screw, Set M6 x 40	1
	12	501764 *Nut, M6 Hex Nyloc x 6mm thick	1
	13	779755 Cam Lock Assy (1 per)	2
	13a	582419 *Lever- Handle Locking	1
	13b	503369 *Pin, Tension 5.0 x 22	1
	13c	016777 *Washer- Slipper	1
	13d	583041 *Stud- Handle Lock, 61mm	1
	13e	501793 *Nut, M8 Hex Nyloc x 8mm thick	1
	14	581527 Retainer- Clutch, Cable	1
	15	501606 Washer, Flat 8 x 19 x 1.6	2
	20	973125 Handle-Lower, "U" 19" Wide Black	2
	21	501598 Screw, Set M8 x 25	4
	22	501606 Washer, Flat 8 x 19 x 1.6	4
	23	501793 Nut, M8 Hex Nyloc x 8mm thick	4

Not Illustrated		
503054	Tie- Nylon Cable, Black	3
567545	Decal, HSG "NON RUST ALLOY"	1
569262	Decal, Height Combo 19" SP	1
573198	Decal, HSG "Self Propelled"	1
574074	Decal, HSG PRO POWER	1
579414	Decal, Noise MAS Sil 75db	1
580778	Stop- Rope	1
582049	Decal, Flap Caution	1
583152	Owner Manual, Masport	1
583344	Instruction, Catcher	1

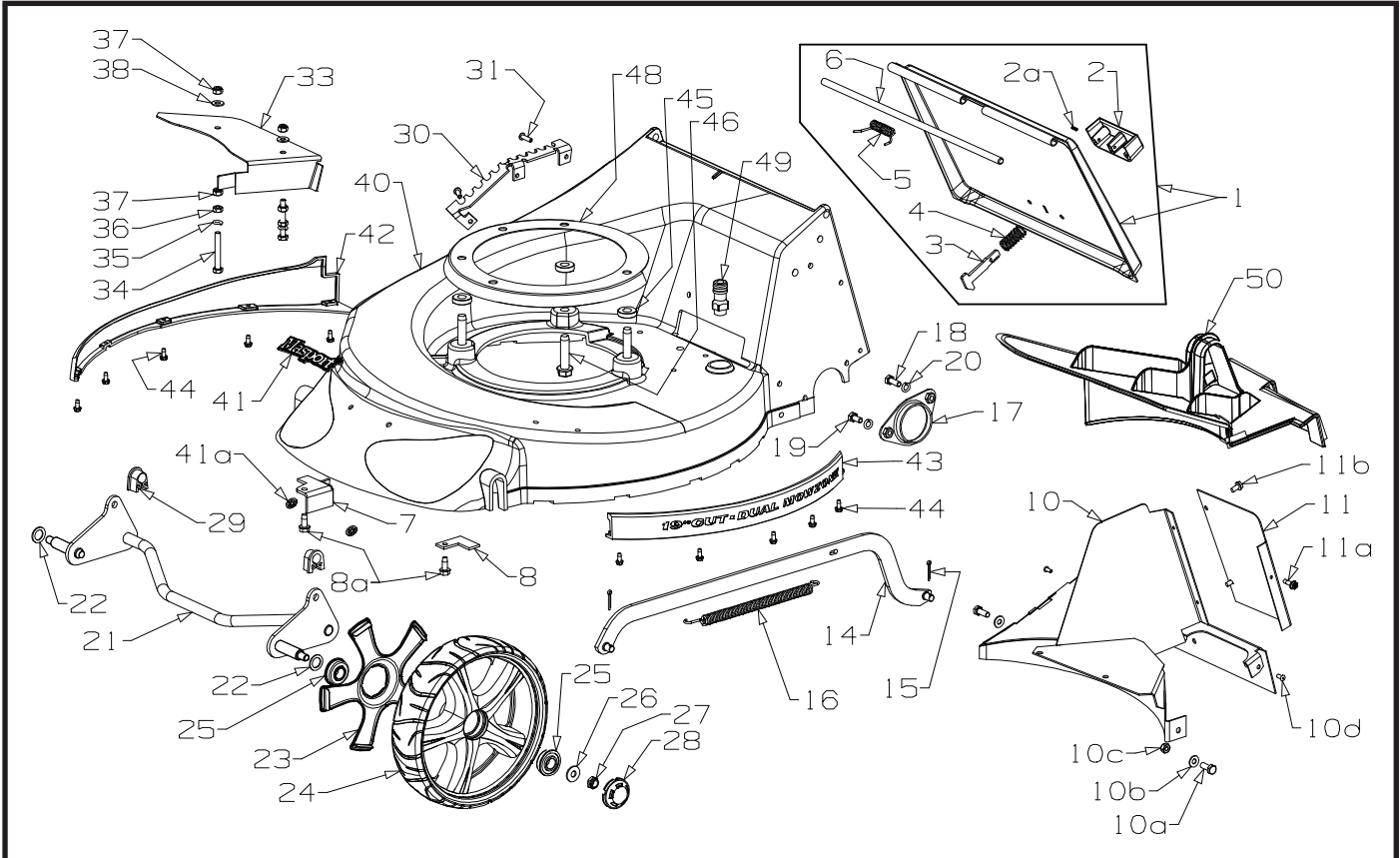
When ordering spares: PLEASE QUOTE PART NUMBER & DESCRIPTION, NOT illustrated number. Item Qty = 1 per part unless stated differently.
BOLD TEXT = Assemblies. Descriptions starting with * = items included in the assemblies & may not be available as a spares item.
 Determine the left or right hand sides by standing in the operating position (standing at the handle).



565828 Ser 19
PRO POWER SP 20
 Spares Version

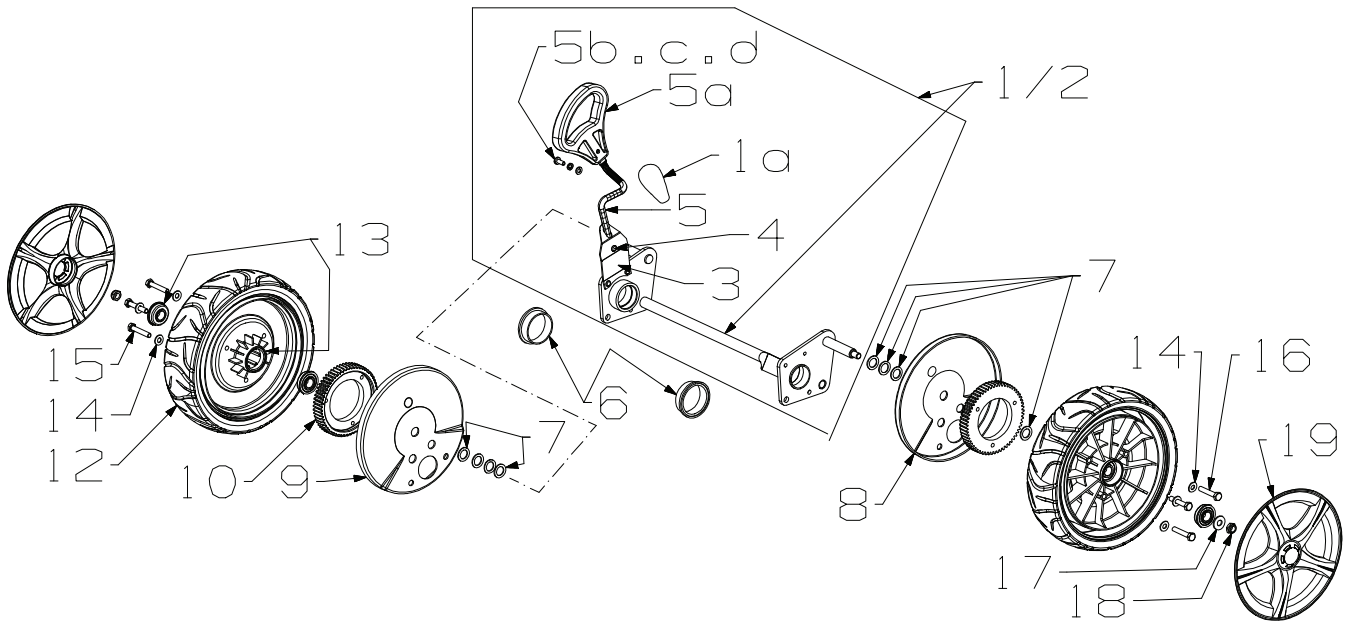
Masport®

Issue A.1
 May 2022 PB
 ECN # 04337
 IPL Ref # 765828

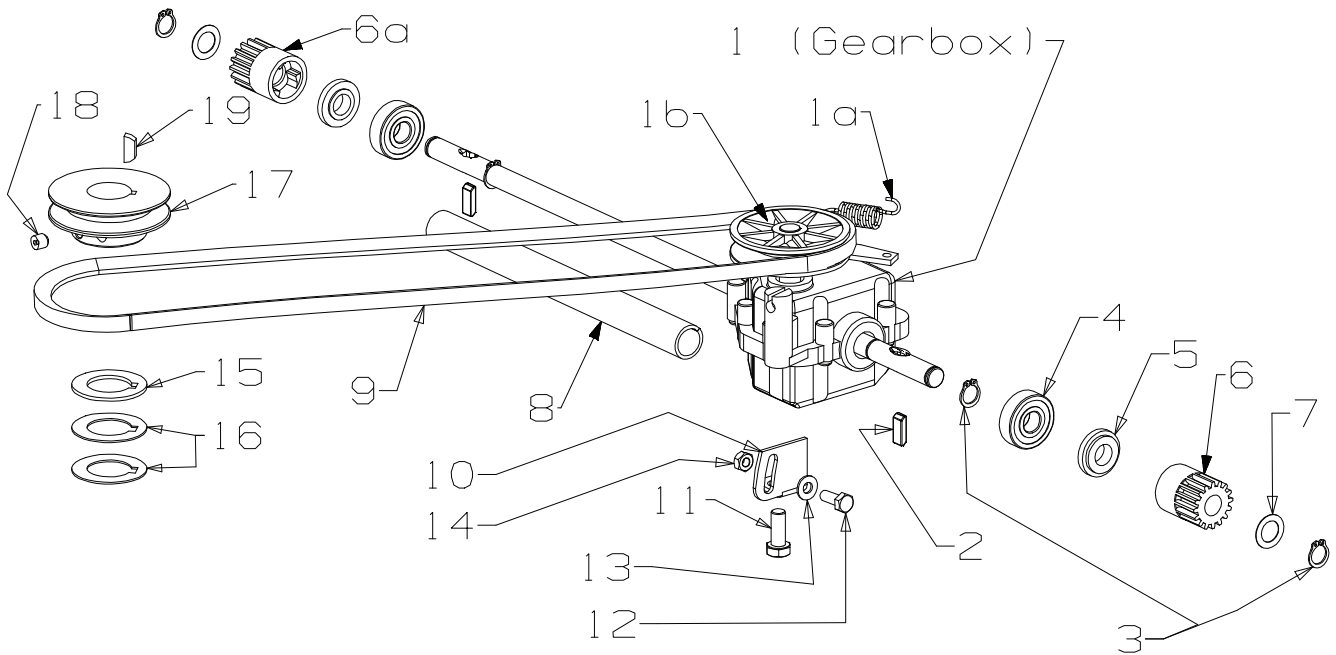


Item	Part No	Description	Qty	Item	Part No	Description	Qty
1	973862	Flap Assy- Steel, Latched Blk	1	23	583398	Cover- Inner, Wheel Black	2
2	580602	*Handle- Flap	1	24	573703	Wheel Assy-200mm Mag Black (Includes 2 x 551212 per wheel)	2
2a	502019	*Pin, Tension 3.0 x 8	1	25	551212	Bearing- Wheel	4
3	981650	*Latch- Flap, Barbed	1	26	501606	Washer, Flat 8 x 19 x 1.6	2
4	581106	*Spring- Flap Latch	1	27	503831	Nut, M8 Hex Nyloc x 8mm thick	2
5	565095	*Spring- Flap 19"/21" ALI	1	28	583397	Hub Cap- Button Mag Black	2
6	583312	*Wire- Flap Pivot 8mm x 325mm	1	29	580030	Bush-Pivot, Axle	2
7	564020	Plate- Retainer, Axle RH	1	30	564132	Quadrant- Height Selector, ZP	1
8	583315	Plate Retainer, Axle 19"	1	31	503200	Rivet- Pop 4.8 x 13 73AS6-8	3
8a	501599	Screw, S/T 1/4" x 5/8" Hex	2	33	968805	Cover- Belt, MSV 19" SPV M/Blk	1
10	571062	Tunnel Assy- 19" SP/P AL S2	1	34	580160	Screw, Set M6 x 50 Hex	2
10a	501702	Screw, Set M6 x 16 Hex	2	35	500201	Washer, Spg 6	2
10b	501703	Washer, Flat 6 x 14 x 1.2	2	36	501682	Nut, M6 Hex	2
10c	501764	Nut, M6 Nyloc Hex	2	37	501764	Nut, M6 Hex Nyloc x 6mm thick	4
10d	503200	Rivet- Pop 4.8 x 13 73AS6-8	2	38	501703	Washer, Flat 6 x 14 x 1.2	2
11	564460	Tunnel- G/box Cover 19" AL	1	40	768715	Hsg- AliT19" CO SP M/Blk	1
11a	503489	Screw, Set M5 x 16 Tap/C	1	41	567406	*Nameplate MASPORT	1
11b	503630	Screw, S/T 10 x 0.4	2	41a	503150	*Clip- Starlock, 5mm dia	2
14	573813	Rod Assy- Connecting, 19"	1	42	579052	Skirt- Side, RH	1
15	501056	Pin, Cotter 2.3d x 16	2	43	579053	Skirt- Side, LH	1
16	580621	Spring- Counter Balance	1	44	503834	Screw, S/T M4 x 10 Washer Hex	10
17	581178	Retainer- Axle, Rear, 600 SP	2	45	583542	Spacer- Base 10.5 x 22 x 6.0	3
18	501702	Screw, Set M6 x 16 Hex	3	46	583104	Screw; S/T 3/8 x 1-5/8 UNC	3
19	501959	Screw, Set M6 x 12	1	48	569037	Ring- Safety, Black	1
20	500201	Washer, Spring 6	4	49	503783	Cyclowash- Fitting	1
21	983305	Axle Assy- Front, 200mm	1	50	573116	Insert- Mulching, 19" AL SP	1
22	503301	Washer; Flat 1/2 x 3/4 x 18g	2				

When ordering spares: PLEASE QUOTE PART NUMBER & DESCRIPTION, NOT illustrated number. Item Qty = 1 per part unless stated differently.
BOLD TEXT = Assemblies. Descriptions starting with * = items included in the assemblies & may not be available as a spares item.
 Determine the left or right hand sides by standing in the operating position (standing at the handle).



Item	Part No	Description	Qty	Item	Part No	Description	Qty
1	773417	Axle Assy- Rear Comp, MSV	1	8	579426	Dust, Cover RH + LH	1
1a	581729	*Knob- Height Lever, MSV	1	9	579426	Dust, Cover RH + LH	1
(Axle 773417 has been replaced by axle 768800)				10	569180	Gear- Driving, 45 Teeth	2
2	768800	Axle Assy, Rear Comp 19" V2	1	12	579070	Wheel Assy- 220mm MSV SP	2
3	580649	*Spring, Leaf	1	(Includes 2 x 551212 per wheel)			
4	503373	*Rivet- F/HD 3/16 x 27/64	3	13	551212	Bearing Ball	4
5	568769	*Rod, Height Selector 19" V2	1	14	501703	Washer, Flat 6 x 14 x 1.2	6
5a	568771	*Handle- Height Lever, Adj V2	1	15	501815	Screw, Set M6 x 35	3
5b	501059	*Screw, Pan M5 x 12 POZ	1	16	501815	Screw, Set M6 x 35	3
5c	501765	*Washer, SPG 5	1	17	501606	Washer, Flat 8 x 19 x 1.6	2
5d	501330	*Washer, Flat 5 x 10 x 1.0	1	18	503831	Nut, M8 Nyloc x 6mm thick	2
6	580091	Bush- Pivot, Rear Axle	2	19	579069	Hub Cap, 220 dia MSV Blk	2
7	503301	Washer, Flat 1/2 x 3/4 x 18G	6				



Item	Part No	Description	Qty	Item	Part No	Description	Qty
1	583487	Gearbox- Single Speed S19	1	10	573593	Mount, Gearbox 21"SP ST	1
1a	(501355)*	Spring- Clutch, Gearbox	1	11	501863	Screw, Set M8 x 12 Hex	1
1b	(783249)*	Pulley- Fra,Reduct(15-004)	1	12	501600	Screw, Set M6 x 20	1
2	581092	Pawl, Pinion 950 SP	2	13	501703	Washer, Flat M6 x 14 x 1.2	1
3	503759	Circlip, 12 EXT DIN 471	4	14	503973	Nut, M6 Hex Nyloc Flanged	1
4	501213	Bearing, 12x32x10 6201 2RS	2	15	569552	Spacer- Pulley, Eng 25 x 42 x 2	1
5	581093	Cap, Pinion 950 SP Plastic	2	16	573024	Spacer- Pulley, Eng 25 x 42 x 1	2
6	569178	Pinion, LH 950 SP	1	17	568651	Pulley- Engine 25b x 68d x 26h	1
6a	569179	Pinion, RH 950 SP	1	18	503386	Screw, Grub M8 x 8	1
7	503102	Washer, Flat 12 x 20 x 0.4	2	19	503363	Key- W/Ruff 5/8 x 3/162 x 1/4	1
8	583563	Sleeve, Rear Axle MSV SP	1				
9	573884	Belt- V HC VEXTRA XPZ 760	1				