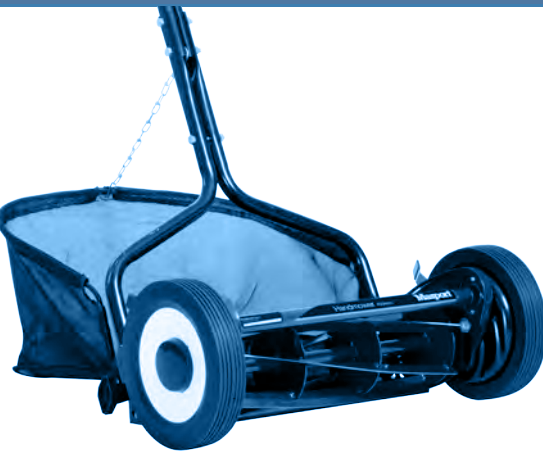




Masport®

Cleveland 18” Handmower



OWNER'S MANUAL

Keep these instructions and the engine booklet in a safe place for future reference.

They contain important information about your mower.

This manual covers the Masport Cleveland 18” Handmower.



Do not operate this machine before it has been assembled correctly and you have read and understood these instructions.



These instructions are intended as a general guide and do not supersede national or local codes in any way. Contact local Authorities for clarity of laws relating to the operation of this appliance.

Keep the instructions in a safe place for future use.

Symbols in this Owner's Manual



Possible hazard or hazardous situation.

Not observing this instruction can lead to injuries or cause damage to property.

Proper Use



For safety reasons, the handmower is not to be used by children, young people, or any other persons who are not acquainted with these directions for use.

Specific safety information - Please read this safety information and the directions for use carefully and be sure to follow the instructions completely.

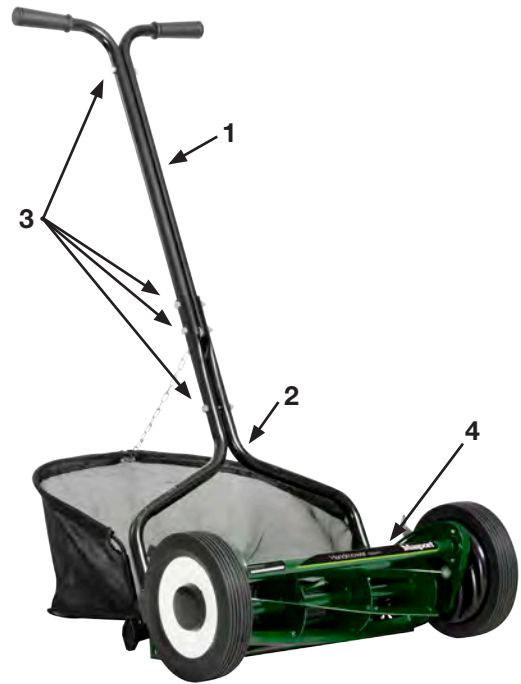
Safety Instructions

- This machine is only intended for mowing lawns. Any other type of usage, e.g. the cutting of bushes, hedges or climbing plants, is dangerous due to the risk of personal injury.
- Never let children or any person not acquainted with these regulations use the mower.
- Local regulations may include restrictions concerning the minimum age of the operator.
- Never use the machine if other people, particularly children, or animals are in the vicinity.
- Remember that the operator will be held responsible for any accidents involving other persons or their property.
- Always wear strong shoes and long trousers when mowing. Do not operate the machine in your bare feet or when wearing sandals.
- Check the area to be mown thoroughly and remove any stones, sticks, steel wire or other objects.

Maintenance and Storage

- Check that all nuts and bolts are tightened so that the machine is in a safe operating condition.
- To ensure safe operation, replace any worn or damaged parts.
- **CLEANING (WEAR GLOVES)**
It is important that you keep your handmower in a clean condition. After each use, remove all grass cuttings that have collected in and around the wheels, roller and blades. We suggest a routine application of oil or lubricant (ie WD-40). This should be applied to all cutting surfaces, the cutting reel axle shaft and wheels.
- Store the machine where children cannot gain access to it.

Assembly



Components

1. Upper handle
2. Lower handle
3. Screws and nuts for handle parts
4. Mower body

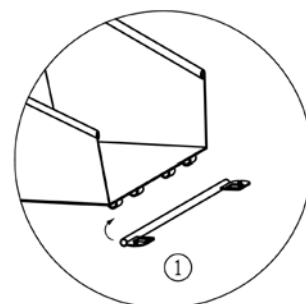
ASSEMBLY

1. Insert the 2 lower handles separately into the slots on both side plates
2. Attached the 2 upper handles to the 2 lower handles using the screws and nuts provided.

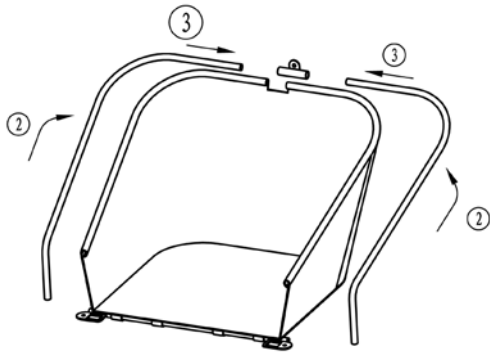
Grass Catcher Assembly



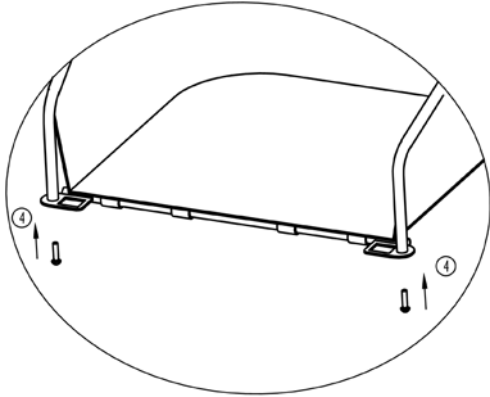
Step 1. Attach the tube to the plastic hook.



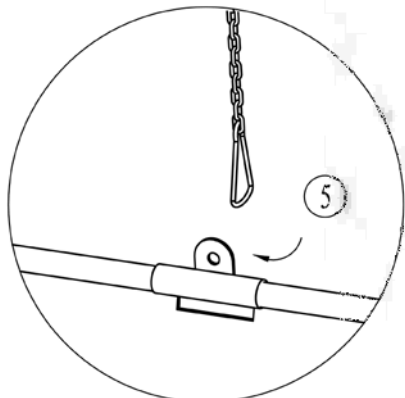
- Step 2. Insert tubes into the fabric hole.
- Step 3. Fit both tubes into the connector in the middle.



- Step 4. Fix both tube ends with screws.



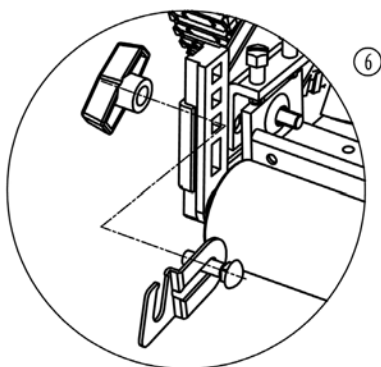
- Step 5. Attach the metal hook into the connector hole.



Grass catcher metal hook



- Step 6. Assemble the grass catcher metal hook to the adjuster.



Cutting Height Adjustment

The cutting height can be adjusted by raising or lowering the cutting height roller. Slacken the two knobs on each side of the cutting height roller. There are three positions for adjusting.

The wheel/dust cover assembly can be moved to one of 4 positions on the side plate. Keep in mind that the same adjustment must be performed on both sides of the mower.

These units can be adjusted to offer a cutting height range from 13mm to 55mm.

Mower Blade Adjustment

The blades have been pre-adjusted before leaving the factory. Misalignment can occur resulting in blades that are too loose or too tight. If this happens, you will notice a rough, uneven cut or a hard-pushing mower.

Loosen both nuts at both side plates and adjust the cutting bar upwards or downwards, then tighten both upper nuts or lower nuts equally.

Warranty Policy

Your lawn mower is protected by a garden products warranty commencing from the date of purchase. Please keep your receipt as proof of purchase. The warranty covers all parts with material or manufacturing faults. Freight costs during the warranty period are to be paid by the owner. The warranty does not cover damage or faults caused by owner/operator negligence.

