

Masport®

HAND MOWER

Cleveland 18" - Push

Part Number 552803

Year of Market Introduction : Aug 2014



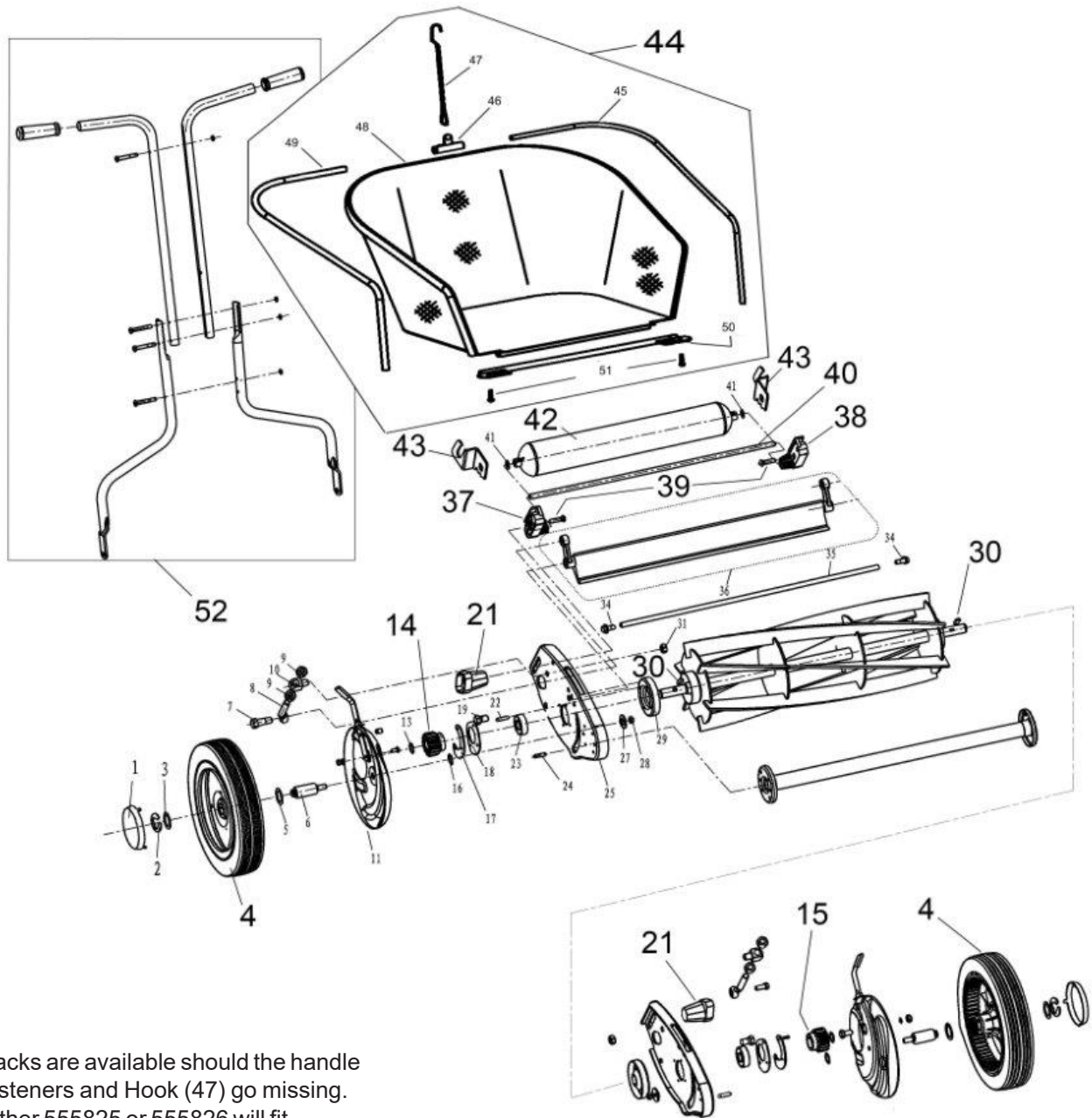
Issue C.4
ECN 12749
Aug 2020 PB
REF # 752803



Hand Mower
460mm Push

Masport®

Issue C.4
ECN 12749
Aug 2020 PB
REF # 752803



Packs are available should the handle fasteners and Hook (47) go missing. Either 555825 or 555826 will fit

| Item No | Part No | Description | Qty | Item No | Part No | Description | Qty |
|---------|---------|----------------------------|-----|---------|---------|----------------------------|-----|
| 4 | 571907 | Wheel- Handmower | 2 | 40/42 | 571904 | Roller Assembly | 1 |
| 14 | 571905 | Gear- RH, Steel | 1 | 43 | 547896 | Brackets- Catcher, LH & RH | 1 |
| 15 | 571906 | Gear- LH, Steel | 1 | 44 | 571696 | Catcher Assembly | 1 |
| 21 | 554717 | Knob- Height Adjust | 2 | 46 | 06A-2 | *Connecting Pipe | 1 |
| 30 | 571903 | Pawl- Gear | 2 | 52 | 571902 | Handle Assembly | 1 |
| 37 | 549822 | Bracket- Roller, RH | 1 | | | | |
| 38 | 549821 | Bracket- Roller, LH | 1 | | | | |
| 39 | 549823 | Screw, M8 x 30 (Coachbolt) | 2 | | | | |