



Parts Manual

Mfg. No: 2691873-00
Ride On, RD 950 and 24" Mower Deck

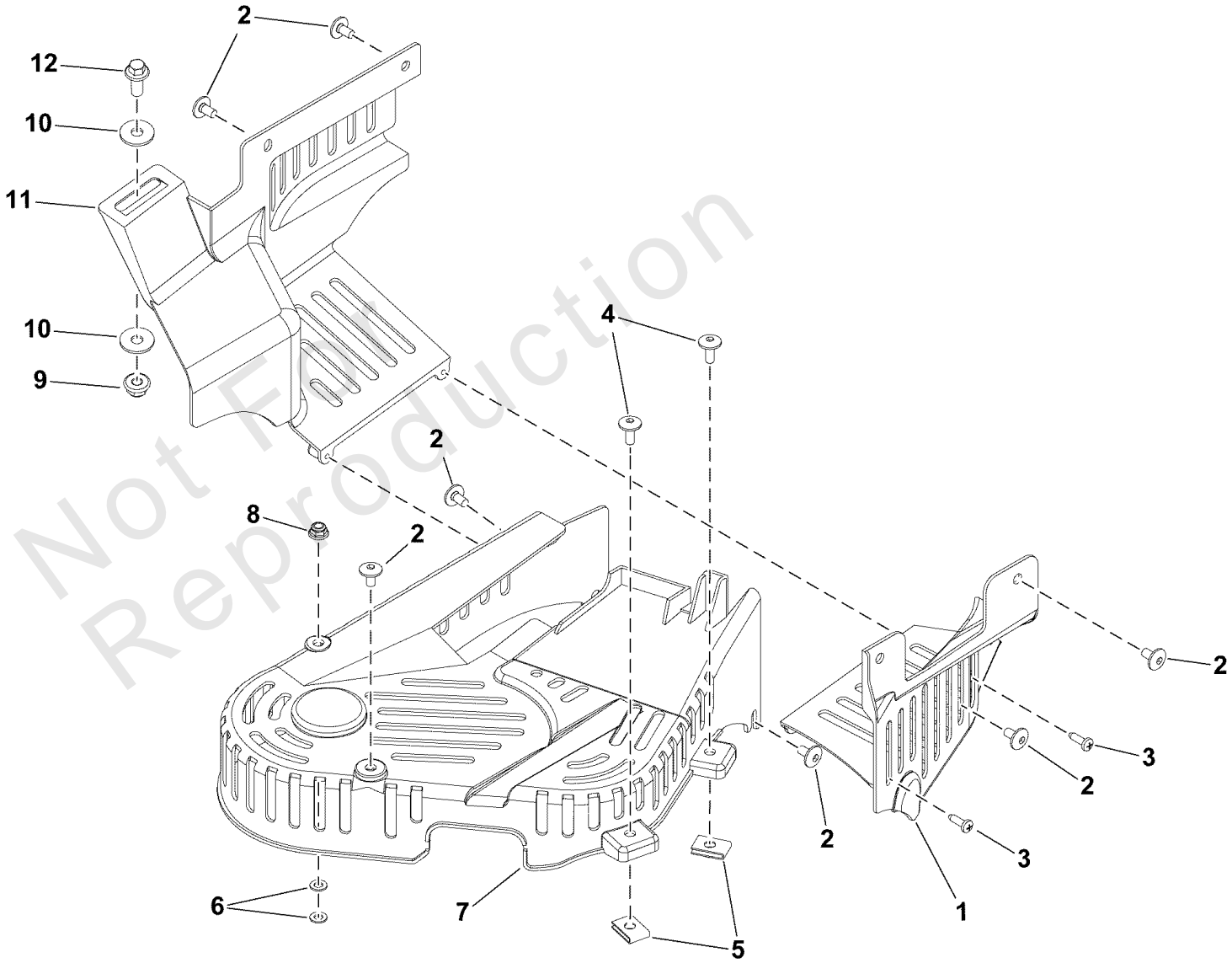
Model Components	Page
Belt Guard Group.....	4
Brake Group.....	6
Cutting Clutch Group.....	8
Drive Clutch Group.....	10
Electrical Group.....	12
Engine & Controls Group.....	14
Frame Group.....	16
Front Axle Group.....	18
Grass Catcher Group.....	20
Hood, Grille & Dash Group.....	22
Interlock Group.....	24
Lift Group.....	26
Rear Axle Group.....	28
Rear Discharge Deck & Blade Group.....	30
Seat Group.....	32
Shift Group.....	34
Steering Group.....	36
Wiring Schematic.....	38
Wiring Schematic - Starter.....	40
Torque Specification Chart.....	42

Not For
Reproduction

Belt Guard Group

Note: Unless noted otherwise, use the standard torque specifications

Mfg. No: 2691873-00



Belt Guard Group

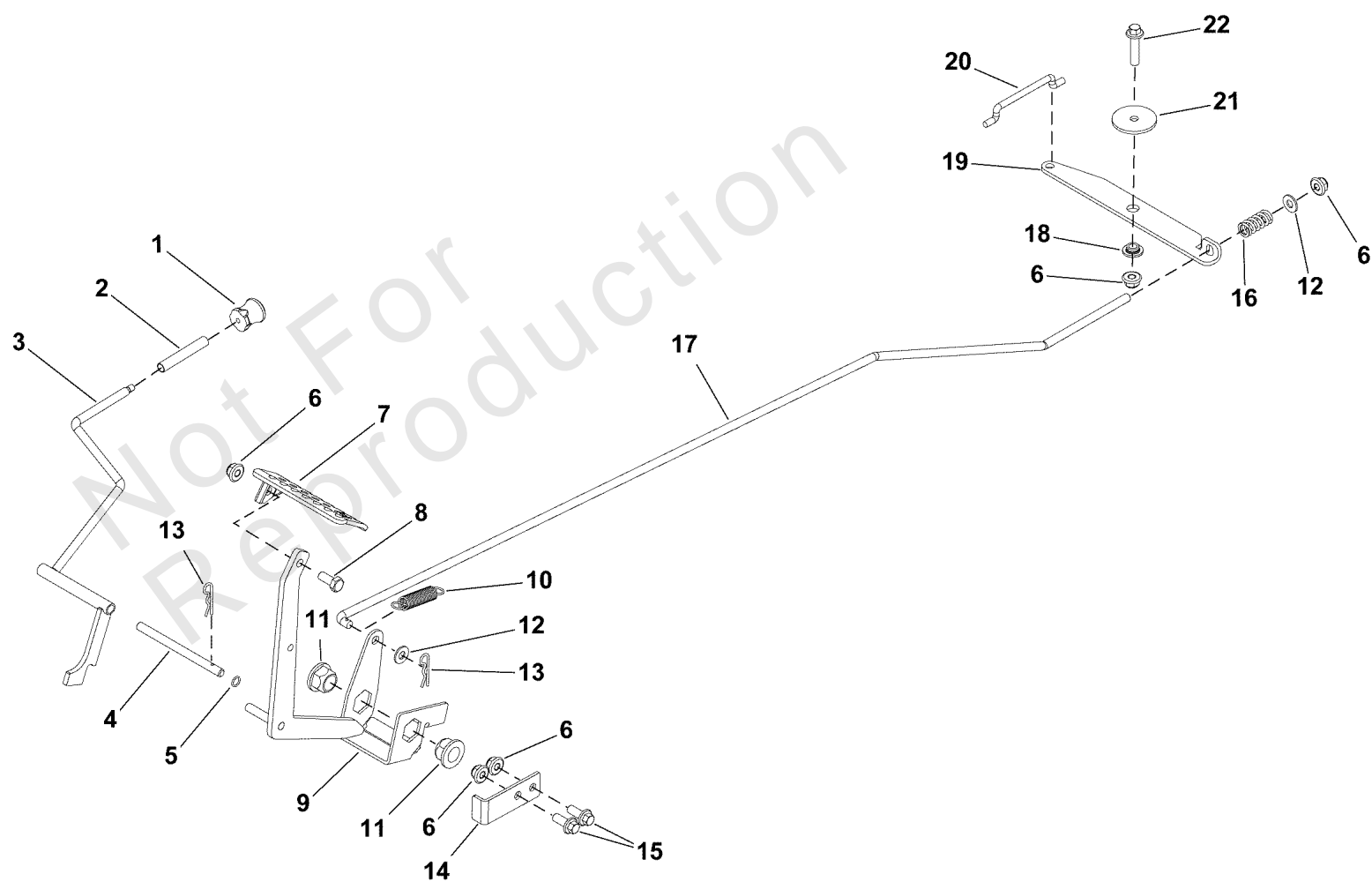
REF NO	PART NO	QTY	DESCRIPTION
1	80101021	1	BELT COVER LEFT
2	-----	7	SCREW, FLAT HEAD SOCKET CAP M6X12
3	-----	2	SCREW, ST No.10x16 PH PAN HD TYPE AB
4	-----	2	SCREW, FLAT HEAD SOCKET CAP M6x16
5	-----	2	U-NUT M6
6	-----	2	WASHER, FLAT M6 x 1.2mm
7	80101022	1	BELT COVER FRONT
8	-----	1	LOCKNUT HEX FLANGE M6
9	-----	1	LOCKNUT HEX FLANGE M8
10	-----	3	WASHER, FLAT 8.4ID x 24OD x 2MM
11	80101020	1	BELT COVER RIGHT
12	-----	1	BOLT, HEX FLANGE M8 x 20

Not For Reproduction

Brake Group

Note: Unless noted otherwise, use the standard torque specifications

Mfg. No: 2691873-00



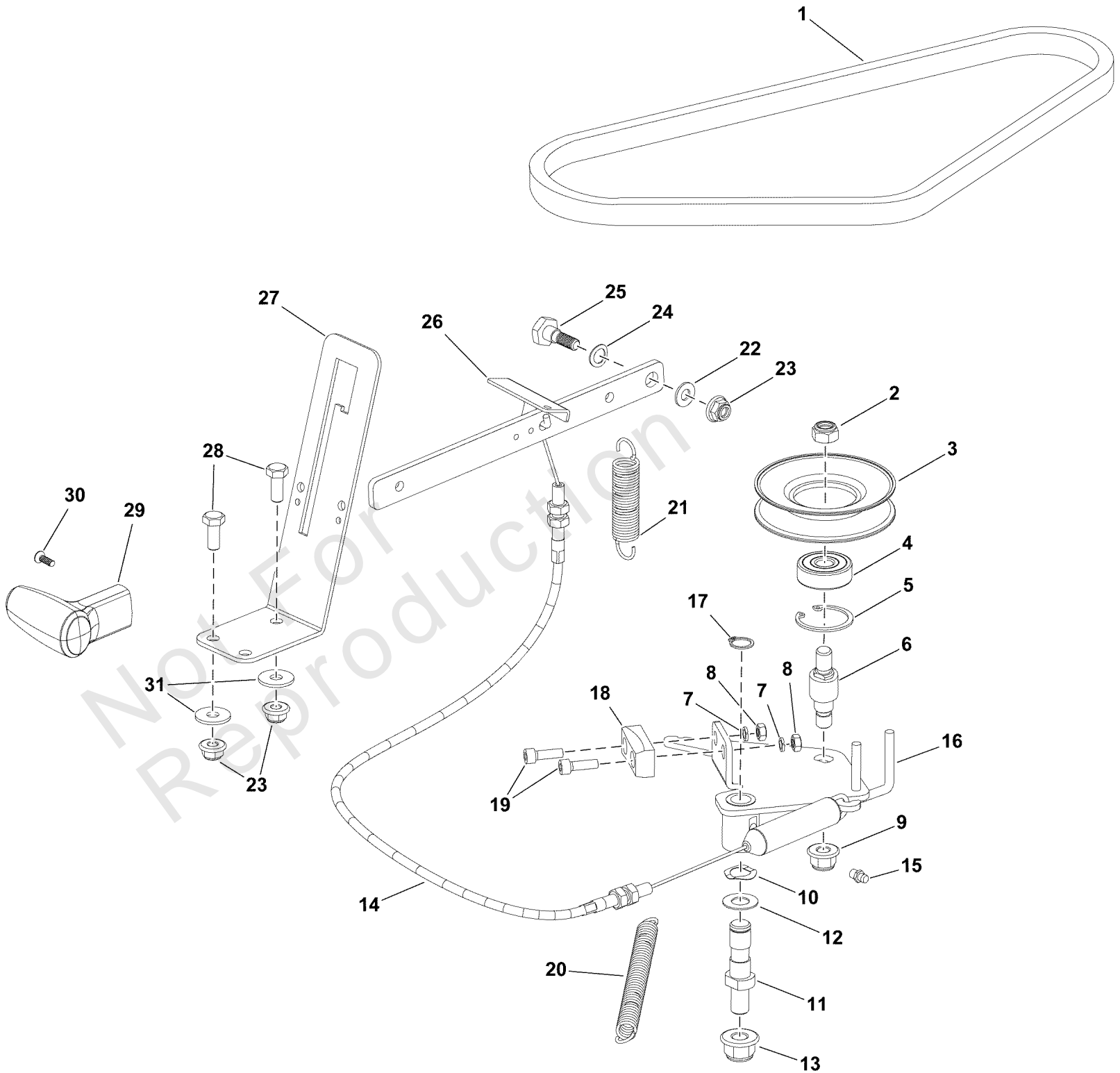
Brake Group

REF NO	PART NO	QTY	DESCRIPTION
1	80101205	1	KNOB, PARK BRAKE
2	-----	1	SLEEVE PARKING HANDLE
3	80101112	1	HANDLE ASSY PARK BRAKE
4	80101111	1	PIN PARK BRAKE
5	-----	1	O-RING 8 x 1.5
6	-----	5	LOCKNUT HEX FLANGE M8
7	80101114	1	PEDAL, ASSEMBLY BRAKE
8	-----	1	BOLT, HEX HEAD M8 x 20
9	80105912	1	BRACKET, BRAKE PEDAL
10	80100959	1	SPRING BRAKE SHOE RETURN
11	80100978	2	BUSH HEXAGON
12	-----	2	WASHER, FLAT M8
13	80100954	2	R CLIP 10 DIA SHAFT X 2mm DIA
14	-----	1	LIMITING PLATE
15	-----	2	BOLT, HEX FLANGE M8 x 20
16	80101108	1	SPRING BRAKE
17	80101109	1	ROD BRAKE
18	-----	1	BUSHING
19	-----	1	BRAKE LEVER
20	-----	1	PULL ROD
21	-----	1	WASHER, FLAT 8.2ID x 43OD x 3mm
22	-----	1	BOLT, HEX FLANGE M8X35

Cutting Clutch Group

Note: Unless noted otherwise, use the standard torque specifications

Mfg. No: 2691873-00



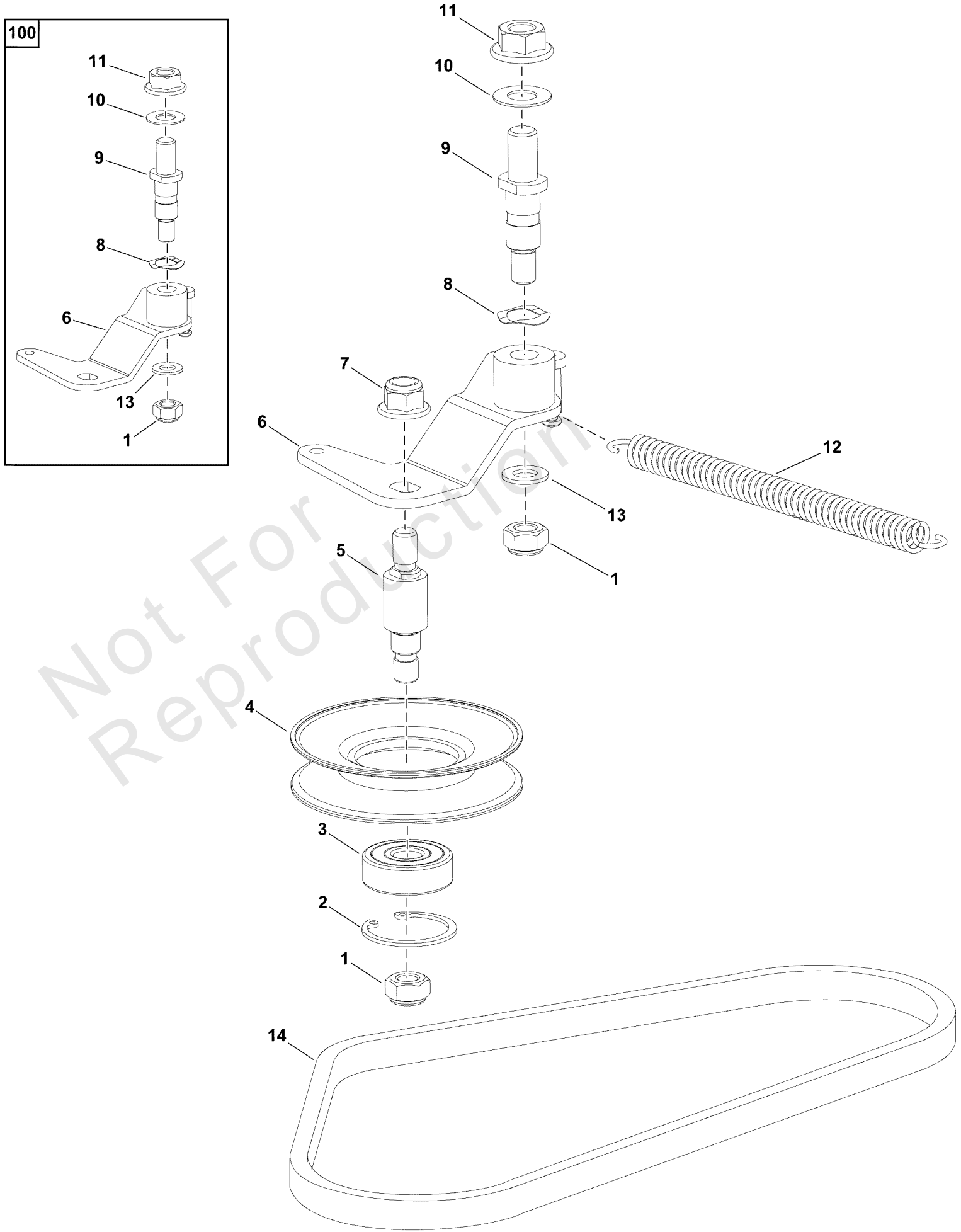
Cutting Clutch Group

REF NO	PART NO	QTY	DESCRIPTION
1	80100872	1	V BELT B1090Ld17x1050Li B41 1/2
2	80100706	1	LOCKNUT HEX M10x1.25
3	80100876	1	PULLEY TENSION RER
4	80100806	1	BEARING 6301-2RS
5	-----	1	CIRCLIP INTERNAL 37MM
6	80100868	1	SHAFT TENSIONER PULLEY
7	-----	2	WASHER, SPRING M6
8	-----	2	NUT HEX M6
9	80100707	1	LOCKNUT HEX FLANGE M10x1.25
10	-----	1	WASHER, WAVE M14x0.4MM
11	-----	1	SHAFT CUTTING TENSION
12	-----	2	WASHER, FLAT 12.4ID x 24OD x 1MM
13	-----	1	LOCKNUT HEX FLANGE M12X1.25
14	80100873	1	CABLE ASSY CUTTING CLUTCH
15	80100813	1	GREASE NIPPLE, M6
16	80100874	1	TENSION ARM ASSY CUTTING CLUTCH
17	80100779	1	CIRCLIP EXTERNAL 13MM
18	80100867	1	BRAKE SHOE
19	-----	2	SCREW, SOCKET HEAD CAP M6X20
20	80100865	1	SPRING EXTENSION CLUTCH HANDLE
21	80100863	1	SPRING EXTENSION CONTROL ARM
22	-----	1	WASHER, FLAT 8.1ID x 17OD x 1.6
23	-----	3	LOCKNUT HEX FLANGE M8
24	-----	1	WASHER, WAVE M10 x 0.8MM
25	-----	1	SCREW, HEX HEAD SHOULDER M8 - NON STD
26	80101039	1	CONTROL ARM CUTTING CLUTCH
27	80100864	1	BRACKET CONTROL CUTTING CLUTCH
28	-----	2	BOLT, HEX HEAD M8 x 20
29	80100870	1	HANDLE, CLUTCH CONTROL ARM
30	-----	1	SCREW, SELF TAPPING 4.2 x 16MM
31	-----	2	WASHER, FLAT 8.4ID x 24OD x 2MM

Drive Clutch Group

Note: Unless noted otherwise, use the standard torque specifications

Mfg. No: 2691873-00



Drive Clutch Group

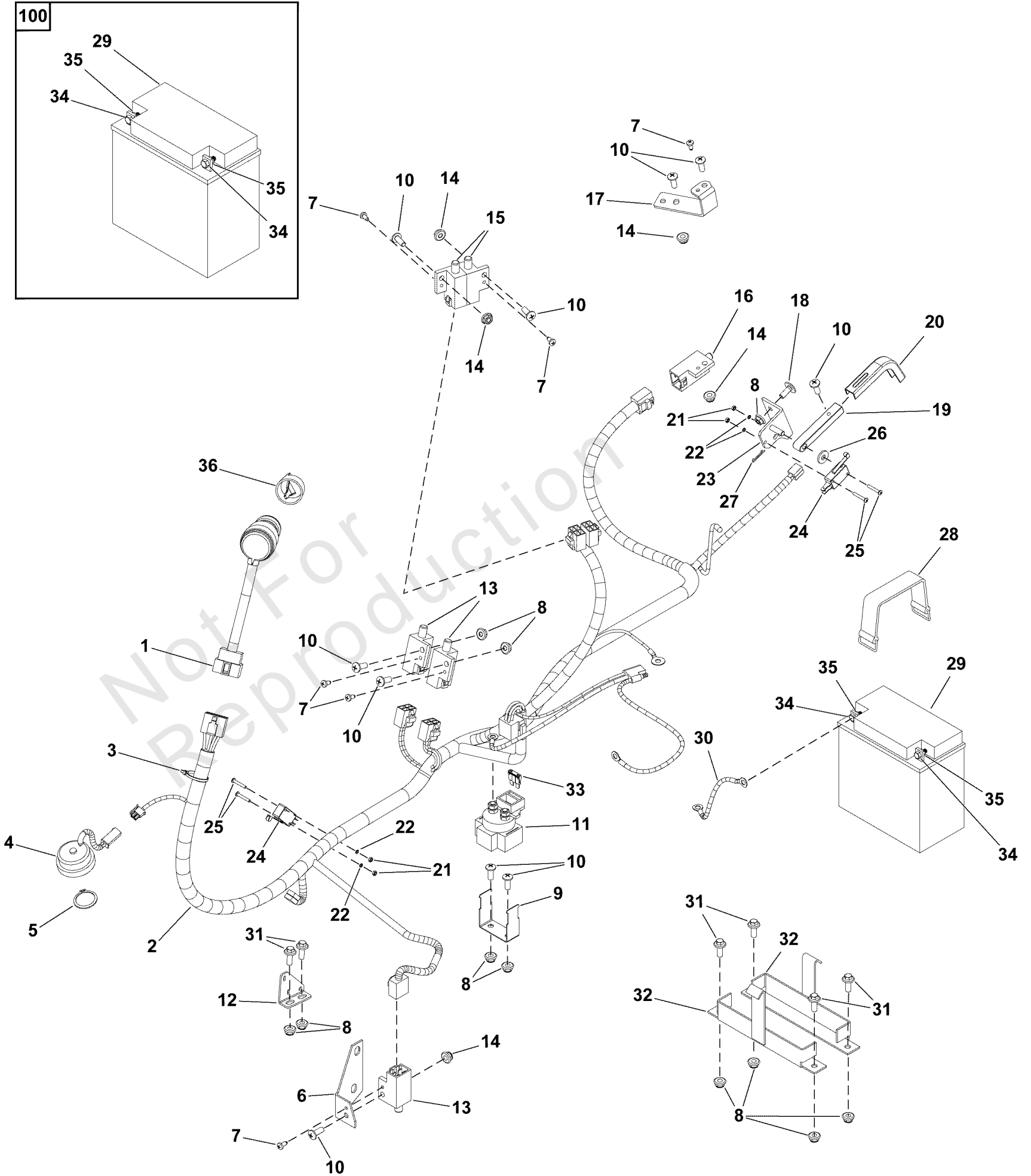
REF NO	PART NO	QTY	DESCRIPTION
1	80100706	2	LOCKNUT HEX M10x1.25 -(Included with Ref. No. 100)
2	-----	1	CIRCLIP INTERNAL 37MM
3	80100806	1	BEARING 6301-2RS
4	80100876	1	PULLEY TENSION RER
5	80105915	1	SHAFT TENSIONER PULLEY RER HYDRO
6	-----	1	DRIVING TENSION ARM -(Included with Ref. No. 100)
7	80100707	1	LOCKNUT HEX FLANGE M10x1.25
8	-----	1	WASHER, WAVE M14x0.4MM -(Included with Ref. No. 100)
9	-----	1	AXLE TENSION DRIVING -(Included with Ref. No. 100)
10	-----	3	WASHER, FLAT 12.4ID x 24OD x 1MM -(Included with Ref. No. 100)
11	-----	1	LOCKNUT HEX M12x1.25 -(Included with Ref. No. 100)
12	80101164	1	SPRING EXT DRIVE
13	80100862	1	WASHER, FLAT 10.2ID x 19OD x 1.6MM -(Included with Ref. No. 100)
14	80101037	1	BELT, A880Ld/13*851Li A34
100	80104156		KIT, DRIVING TENSION ARM ASSY -(Incl. Ref. Nos. 1, 6, 8, 9, 10, 11 & 13)

Electrical Group

Note: Unless noted otherwise, use the standard torque specifications

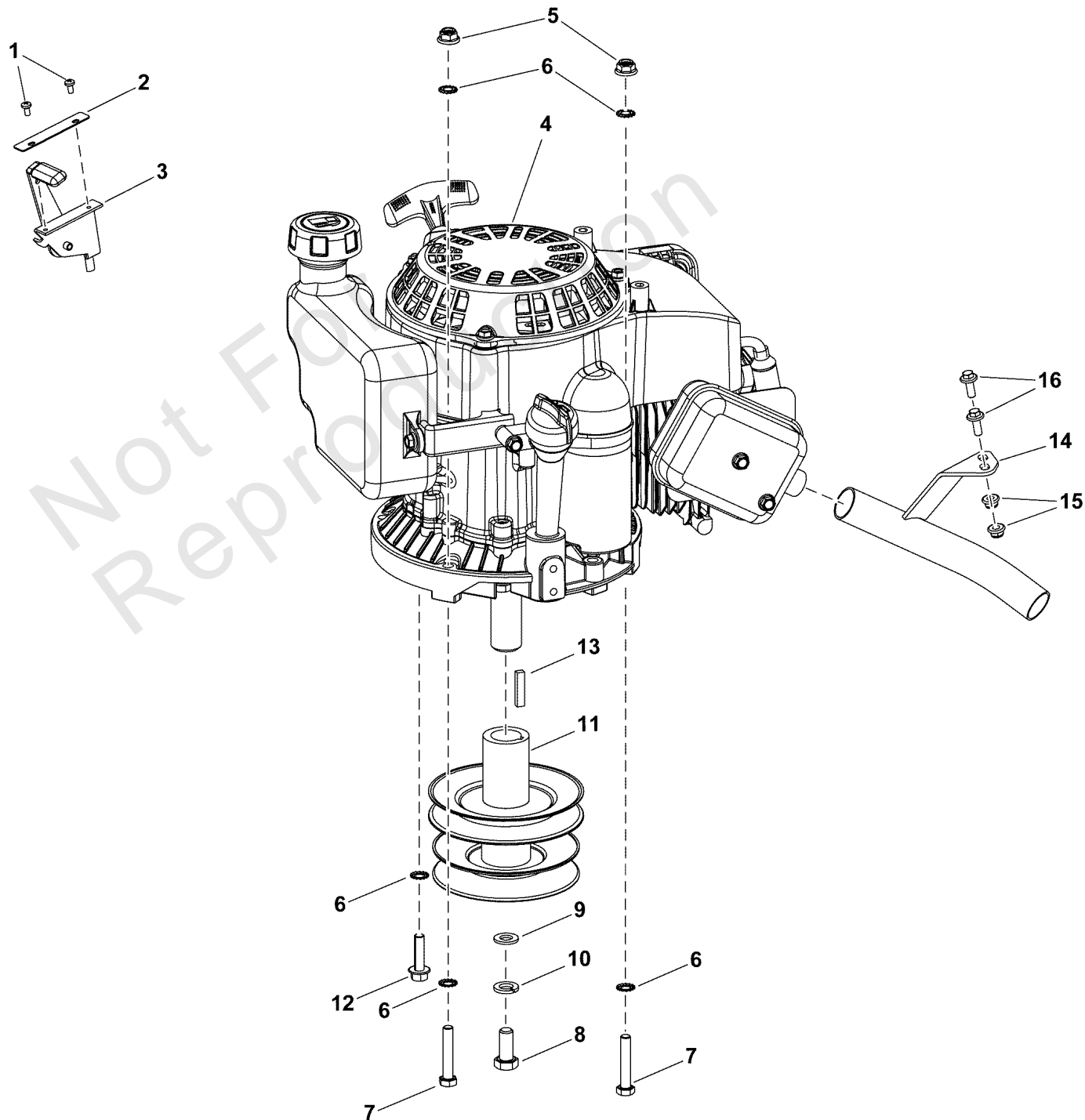
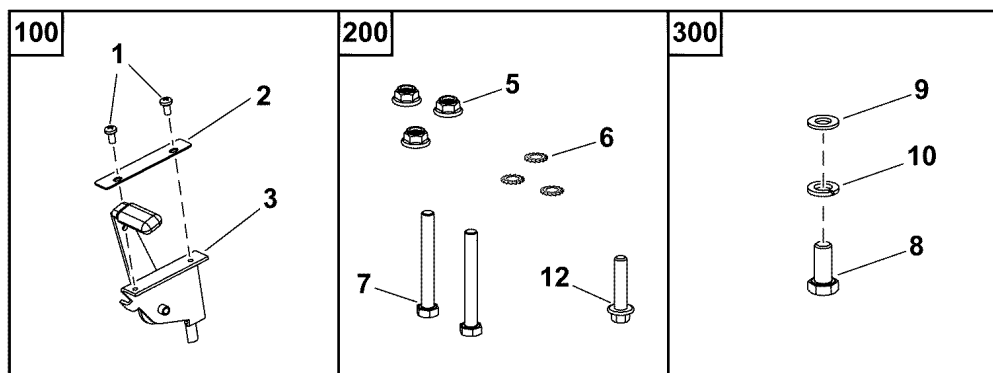
Mfg. No: 2691873-00

100



Electrical Group

REF NO	PART NO	QTY	DESCRIPTION
1	80101034	1	SWITCH, ROTARY WITH KEY
2	80101121	1	WIRING HARNESS RER HYDRO BAG
3	-----	20	CABLE TIE 3.2 x 140mm
4	80101145	1	BUZZER 473910
5	-----	1	CIRCLIP, EXTERNAL 25mm
6	-----	1	BRACKET, BRAKE SWITCH SEAT
7	-----	6	SCREW, ST No.8X10 PH PAN HD TYPE AB
8	-----	10	LOCKNUT HEX FLANGE M6
9	-----	1	BRACKET MOUNTING START RELAY
10	-----	10	SCREW, PHILIPS FLAT HEAD M6X16
11	80101027	1	RELAY STARTING Q40200 12V 150A
12	80101119	1	BRACKET, SWITCH SEAT
13	80101033	3	SWITCH PUSH O/C
14	-----	6	NUT HEX FLANGE M6
15	80101030	2	SWITCH SEAT DOUBLE NC
16	80101029	1	SWITCH PUSH SINGLE NC
17	80101024	1	CLAMP
18	-----	2	SCREW, FLAT HEAD SOCKET CAP M6x16
19	80101309	1	LEVER SWITCH
20	80101310	1	BRACKET LEVER SWITCH
21	-----	4	NUT M3
22	-----	4	SPRING WASHER, ?3
23	-----	1	SWITCH BASE
24	80101308	2	SWITCH
25	-----	4	SCREW, M3*20
26	-----	1	WASHER, FLAT M6 x 1.5mm
27	-----	1	SPLIT PIN
28	-----	1	STRAP BATTERY
29	-----	1	BATTERY GT9A-4 (12V9Ah) -(Included with Ref. No. 0100)
30	-----	1	BATTERY CABLE
31	-----	6	BOLT, HEX FLANGE M6X16
32	-----	2	CLAMP BATTERY
33	-----	1	FUSE 20A
34	-----	2	NUT, M5 - HEX 2
35	-----	2	SCREW HH M5 x 12 2 -(Included with Ref. No. 0100)
36	80100854	1	KEY -(Included with Ref. No. 0100)
100	80107480	1	KIT, BATTERY (GT9A-4) -(Incl. Ref. Nos. 29, 35 & 36)



Engine & Controls Group

REF NO	PART NO	QTY	DESCRIPTION
1	-----	2	SCREW, MUSH HEAD PHILLIPS M4X8 -(Included with Ref. No. 100)
2	-----	1	CLAMP PLATE -(Included with Ref. No. 100)
3	-----	1	THROTTLE CABLE -(Included with Ref. No. 100)
4	14B937-0019-H5	1	ENGINE 950E SERIES 223cc 9.5HP -(Refer to Note: *) (Engine Model:14B937-0019-H5)
5	-----	3	LOCKNUT HEX FLANGE M8 -(Included with Ref. No. 200)
6	-----	7	WASHER, EXTERNAL LOCK M8 -(Included with Ref. No. 200)
7	-----	1	BOLT, HEX HEAD M8X65 -(Included with Ref. No. 200)
8	-----	1	BOLT, HEX HEAD 3/8"-24 X 1" -(Included with Ref. No. 300)
9	-----	1	WASHER, FLAT M10 X 2 -(Included with Ref. No. 300)
10	-----	1	WASHER, SPRING 3/8" -(Included with Ref. No. 300)
11	80101040	1	PULLEY DRIVE RER HYDRO
12	-----	2	BOLT, HEX FLANGE M8X35 -(Included with Ref. No. 200)
13	80100869	1	KEY FLAT 6.35x30
14	80100860	1	EXHAUST MANIFOLD
15	-----	2	LOCKNUT HEX FLANGE M6
16	-----	2	BOLT, HEX FLANGE M6X16
100	80104151		KIT, THROTTLE CABLE ASSY -(Incl. Ref. Nos. 1, 2, & 3)
200	80104154		KIT, ENGINE HARDWARE -(Incl. Ref. Nos. 5, 6, 7, & 12)
300	80104155		KIT, ENGINE PULLEY HARDWARE -(Incl. Ref. Nos. 8, 9, & 10)

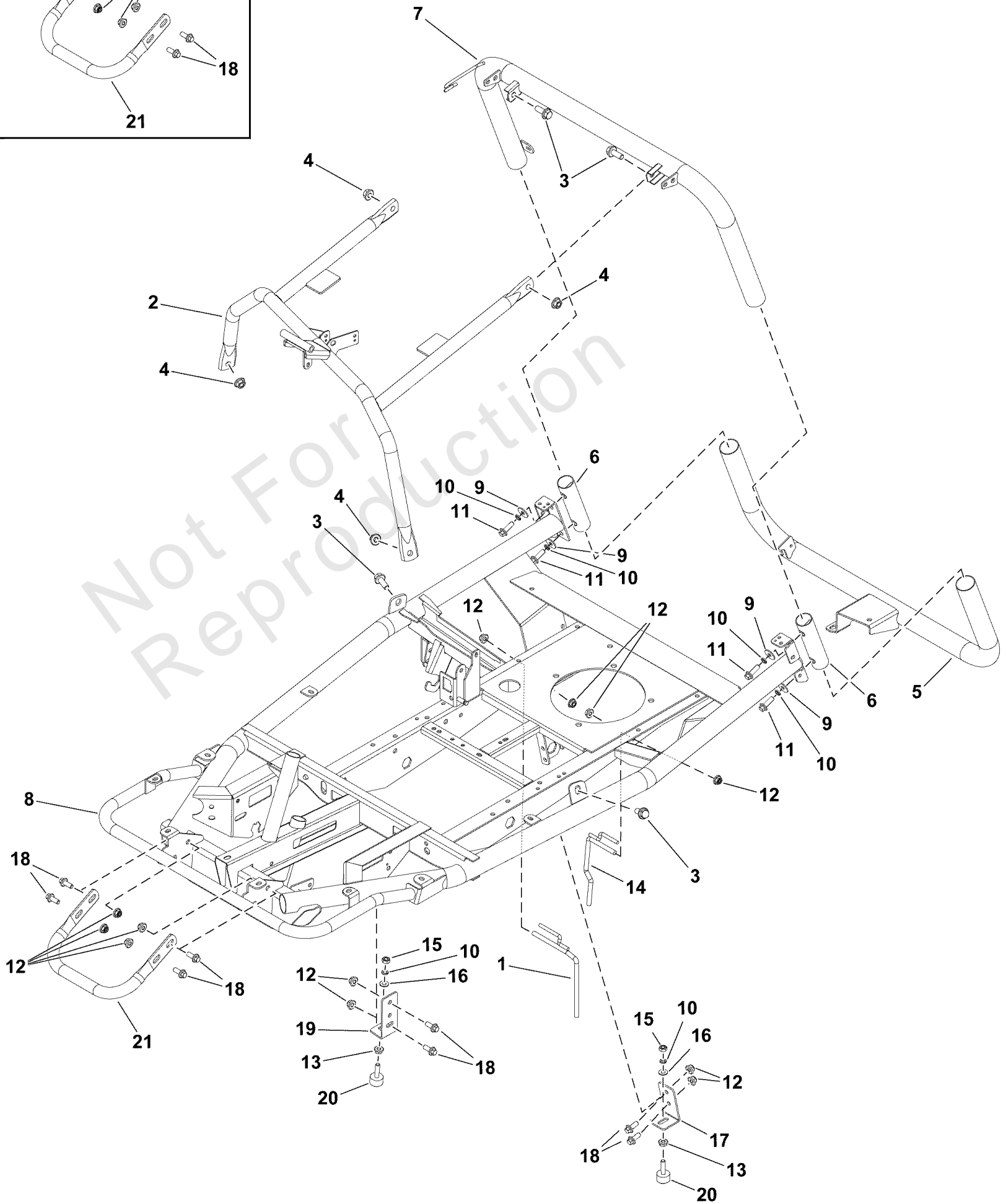
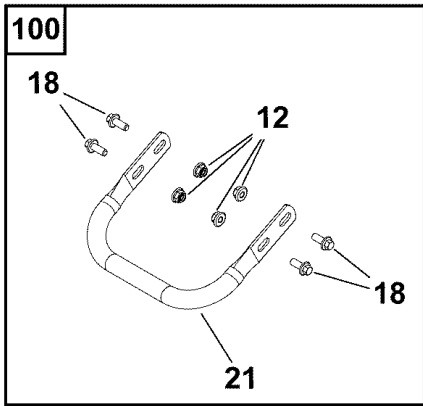
Footnotes:

Note:* Refer to your local Briggs & Stratton distributor for parts and service.

Frame Group

Note: Unless noted otherwise, use the standard torque specifications

Mfg. No: 2691873-00



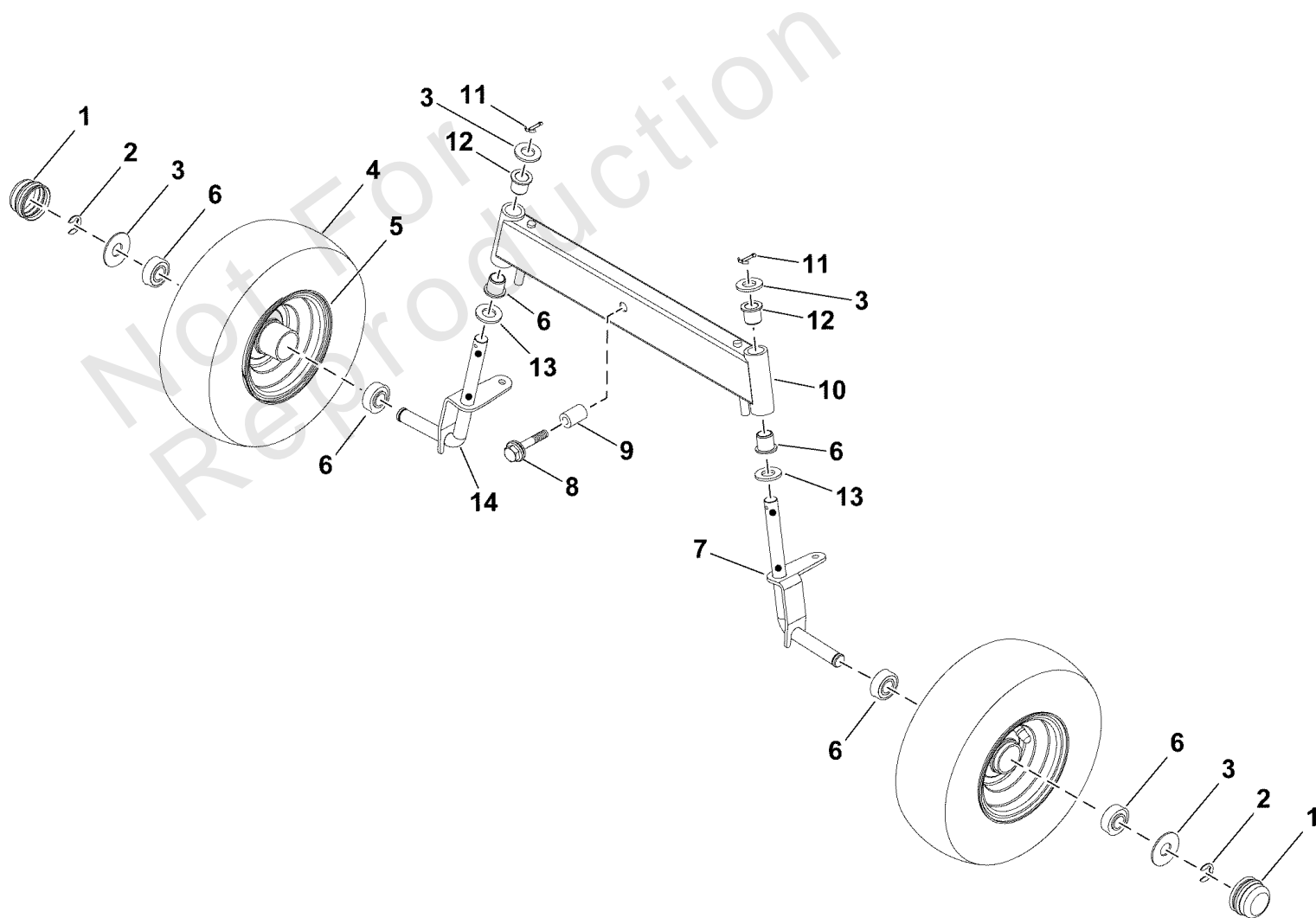
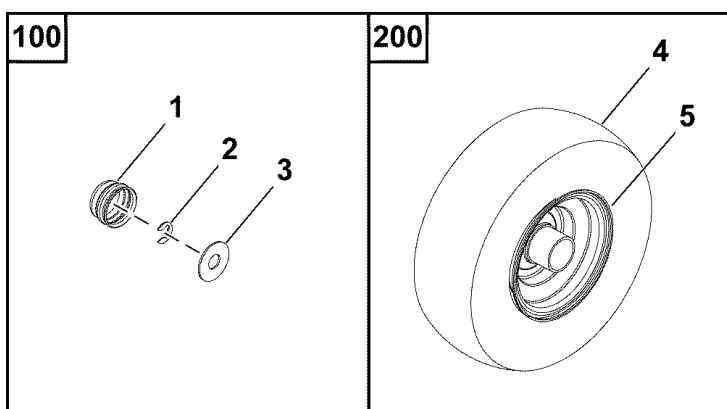
Frame Group

REF NO	PART NO	QTY	DESCRIPTION
1	80100875	1	BELT GUIDE ASSY RIGHT HAND
2	-----	1	CHASSIS SUB-ASSEMBLY
3	-----	4	BOLT, HEX FLANGE M10 x 1.25 x 25
4	-----	4	NUT HEX FLANGE 10 x 1.25
5	80101087	1	REAR LOWER FRAME SUPPORT
6	-----	2	INSERT TUBE
7	-----	1	TUBE ASSEMBLY, REAR UPPER
8	-----	1	FRAME
9	-----	4	WASHER, FLAT 8.4ID x 24OD x 2MM
10	-----	6	WASHER, SPRING M8
11	-----	4	BOLT, HEX FLANGE HEAD M8 x 25
12	-----	10	LOCKNUT HEX FLANGE M8 -(Included with Ref. No. 100)
13	-----	4	NUT HEX M8
14	80101085	1	LEFT ROD ASSEMBLY
15	-----	2	NUT HEX M8
16	-----	2	WASHER, FLAT 8.1ID x 17OD x 1.6
17	-----	1	BRACKET REAR DAMPER
18	-----	8	BOLT, HEX FLANGE M8 x 20 -(Included with Ref. No. 100)
19	-----	1	BRACKET FRONT DAMPER
20	80100878	2	DAMPER PAD
21	-----	1	BUMPER BAR FRONT RER -(Included with Ref. No. 100)
100	80104226	1	KIT BUMPER & HARDWARE RER -(Incl. Ref. Nos. 12, 18, & 21)

Front Axle Group

Note: Unless noted otherwise, use the standard torque specifications

Mfg. No: 2691873-00



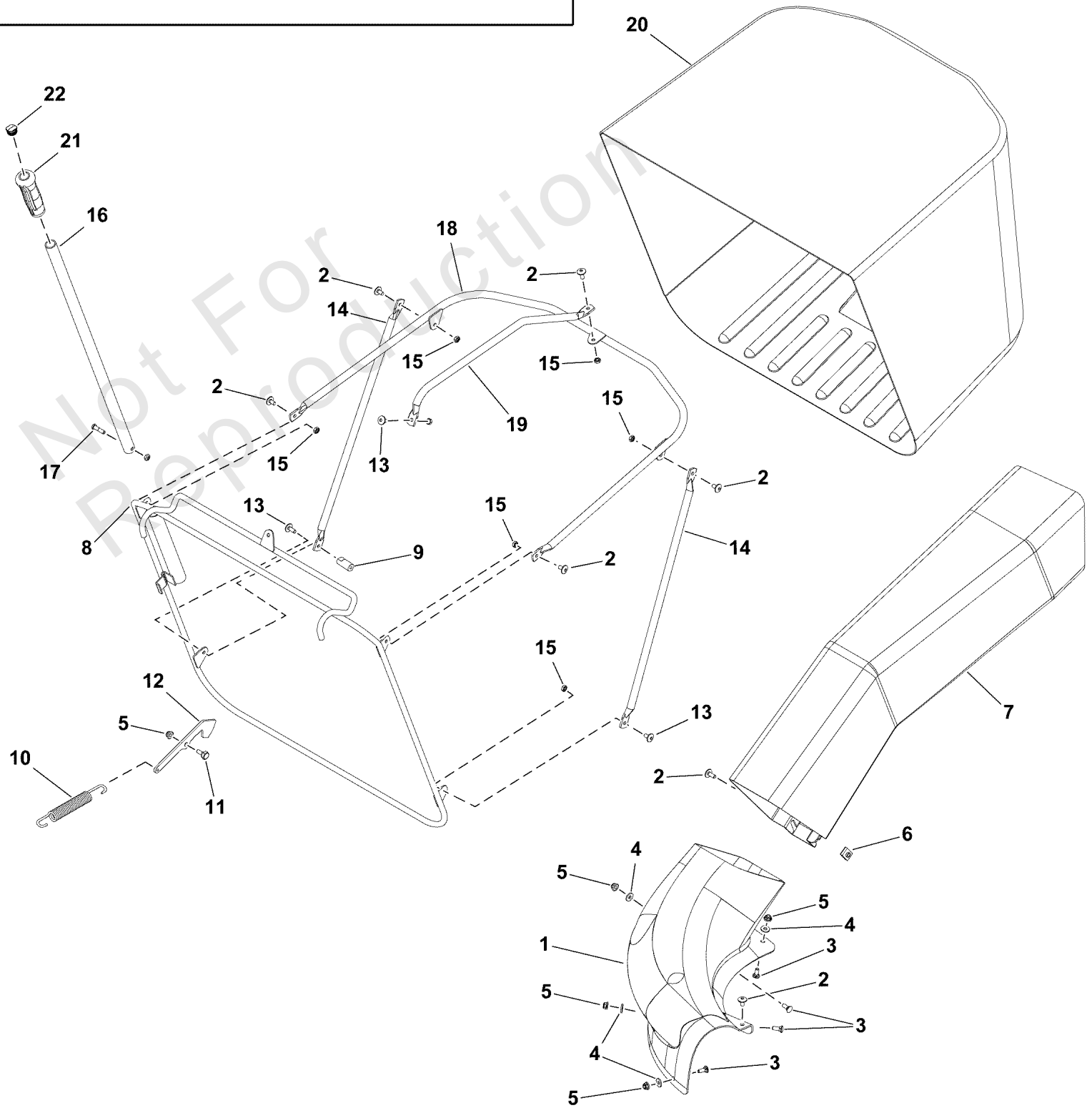
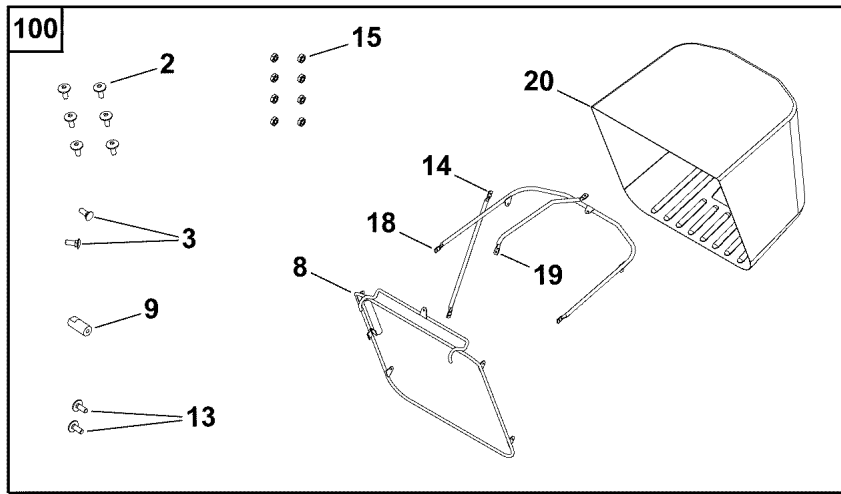
Front Axle Group

REF NO	PART NO	QTY	DESCRIPTION
1	-----	2	HUB COVER -(Included with Ref. No. 100)
2	-----	2	E-CLIP 12 DIA x 1.2mm -(Included with Ref. No. 100)
3	-----	2	WASHER, FLAT 17ID x 44OD x 2 -(Included with Ref. No. 100)
4	-----	2	TYRE FRONT 11 x 4.00-5 -(Included with Ref. No. 200)
5	-----	2	WHEEL RIM FRONT -(Included with Ref. No. 200)
6	80100807	4	BEARING 1635 FLANGE
7	80100888	1	STUB AXLE ASSEMBLY RIGHT
8	80100676	1	BOLT, HEX FLANGE M12x1.25x50
9	80100886	1	BUSH PIVOT
10	-----	1	FRONT AXLE SUB ASSEMBLY
11	-----	2	SPLIT PIN 3.2 x 25
12	80100885	4	BUSH STUB AXLE
13	-----	4	WASHER, FLAT 32OD x 16.5ID x 3
14	80100890	1	STUB AXLE ASSEMBLY LEFT
100	80104158		KIT, HUBCAP & HARDWARE, FRONT WHEEL -(Incl. Ref. Nos. 1, 2 & 3)
200	80104159		KIT, WHEEL ASSY FRONT 11x4.00-5 -(Incl. Ref. Nos. 4 & 5)

Grass Catcher Group

Note: Unless noted otherwise, use the standard torque specifications

Mfg. No: 2691873-00



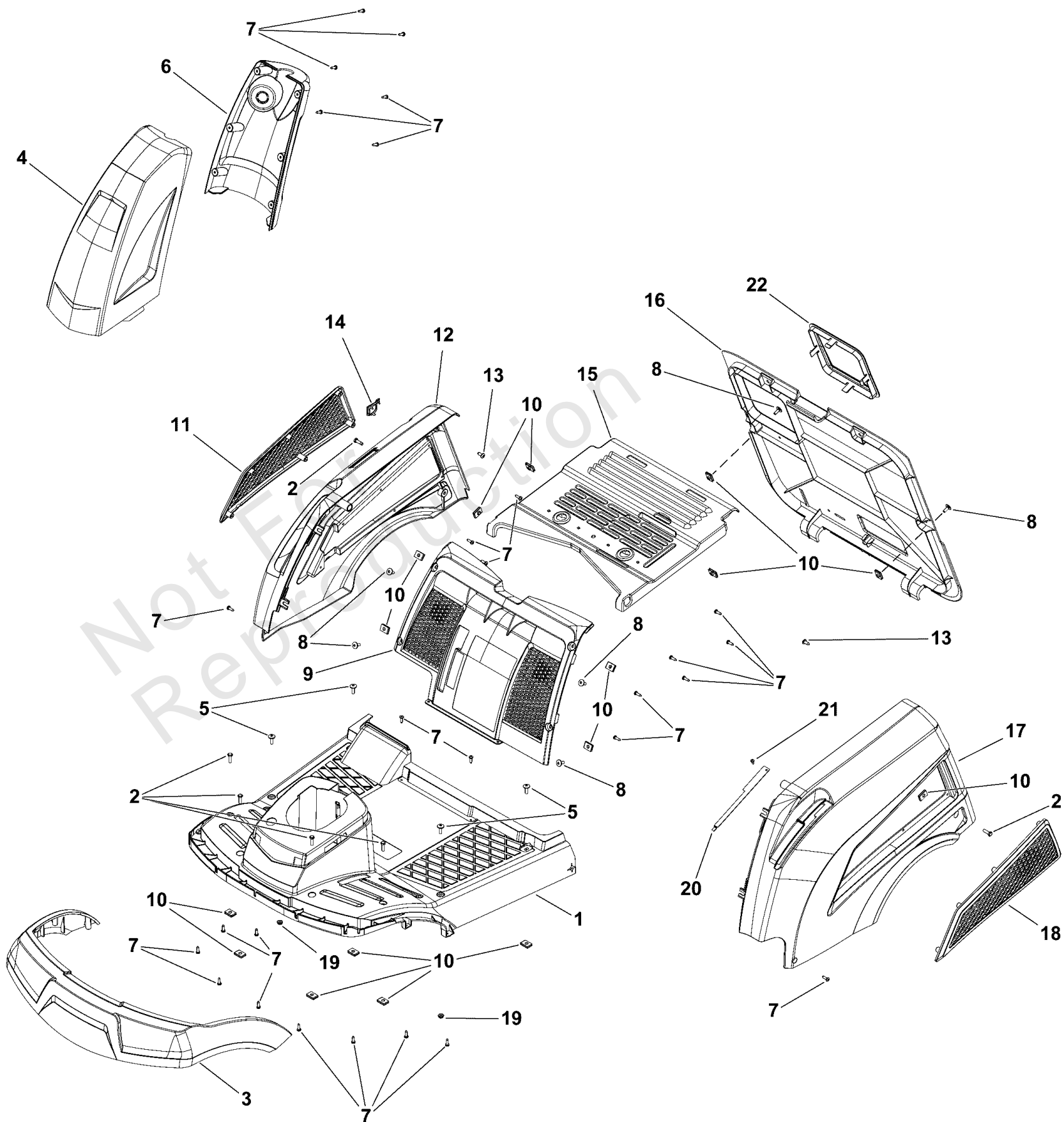
Grass Catcher Group

REF NO	PART NO	QTY	DESCRIPTION
1	80100998	1	GRASS CHUTE FRONT
2	-----	7	SCREW, FLAT HEAD SOCKET CAP M6X12 -(Included with Ref. No. 100)
3	-----	4	BOLT, SQ NECK HALF ROUND HEAD M6X16 -(Included with Ref. No. 100)
4	-----	4	WASHER, FLAT M6 x 1.5mm
5	-----	5	LOCKNUT HEX FLANGE M6
6	-----	1	U-NUT M6
7	-----	1	REAR GRASS COLLECTOR
8	-----	1	MOUNT FRAME ASSEMBLY -(Included with Ref. No. 100)
9	-----	1	NUT M6 -(Included with Ref. No. 100)
10	80101003	1	SPRING BAG HOOK
11	80101005	1	PIN SCREW, M6
12	80101004	1	HOOK BAG
13	-----	3	SCREW, FLAT HEAD SOCKET CAP M6x16 -(Included with Ref. No. 100)
14	-----	2	SIDE STAY PIPE -(Included with Ref. No. 100)
15	-----	8	NUT M6 HEX LOCKING -(Included with Ref. No. 100)
16	80101002	1	LEVER BAG LIFT
17	-----	1	SCREW, M6X25
18	-----	1	GIRDER FRAME ASSEMBLY -(Included with Ref. No. 100)
19	-----	1	ROD -(Included with Ref. No. 100)
20	80101009	1	BAG GRASS CATCHER -(Included with Ref. No. 100)
21	80105951	1	HANDLE BAG LIFT
22	80101001	1	PLUG BAG LIFT HANDLE
100	80104166		KIT, CATCHER BAG & FRAME ASSY -(Incl. Ref. Nos. 2, 3, 8, 9, 13, 14, 15, 18, 19, & 20)

Hood, Grille & Dash Group

Note: Unless noted otherwise, use the standard torque specifications

Mfg. No: 2691873-00



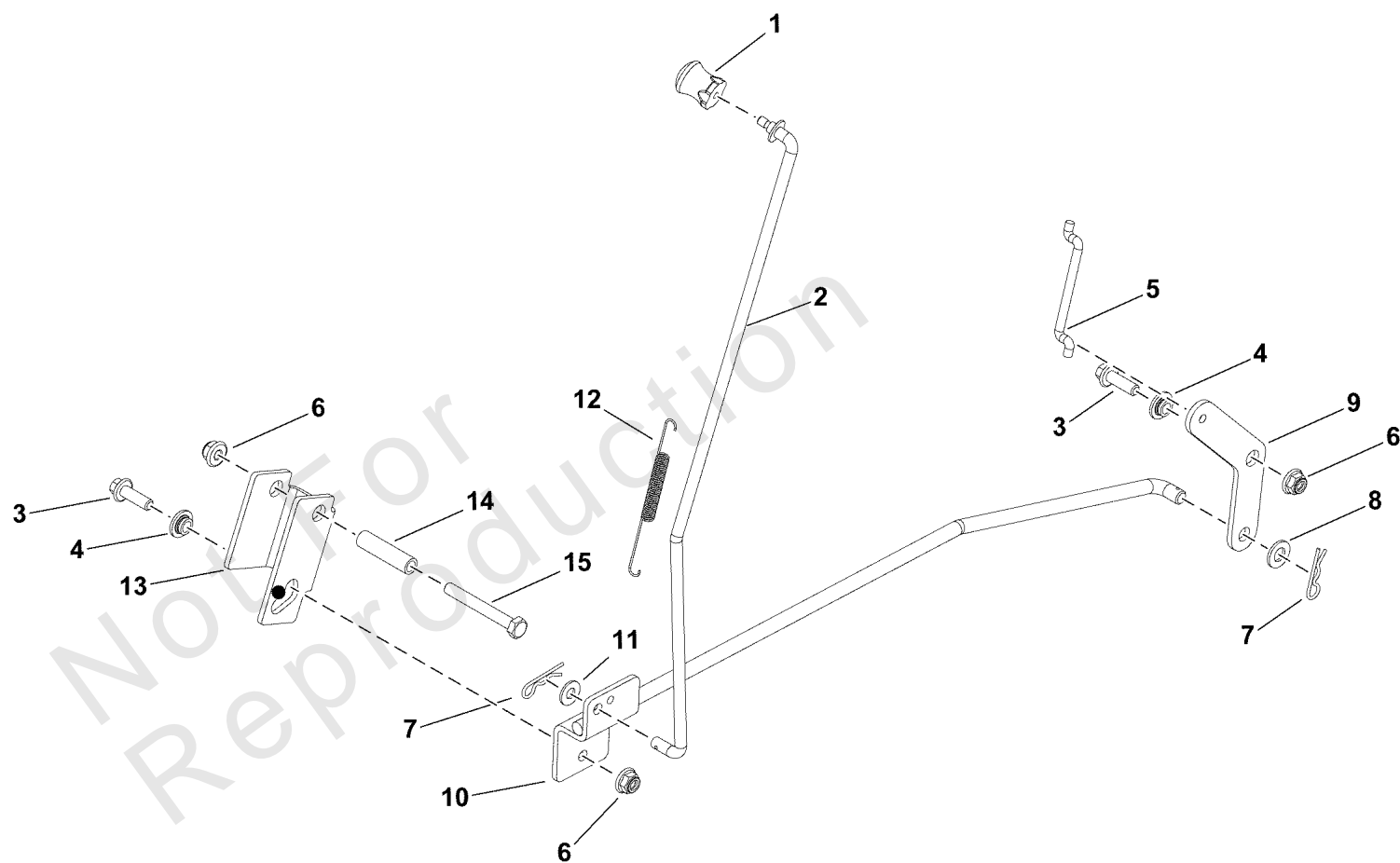
Hood, Grille & Dash Group

REF NO	PART NO	QTY	DESCRIPTION
1	80101116	1	BOTTOM PLATE, BLACK
2	-----	6	BOLT, HEX HEAD M6X20
3	80101012	1	COVER FRONT
4	80101115	1	COVER STEERING COLUMN FRONT
5	-----	4	SCREW, FLAT HEAD SOCKET CAP M6X20
6	80106952	1	COVER STEERING COLUMN REAR
7	-----	33	SCREW, ST No.10x16 PH PAN HD TYPE AB
8	-----	8	SCREW, FLAT HEAD SOCKET CAP M6x16
9	80106954	1	FRONT ENGINE COVER, FRONT
10	-----	16	U-NUT M6
11	80106955	1	VENT PANEL RIGHT
12	80101017	1	COVER REAR FENDER RIGHT
13	-----	2	SCREW, No.6x16mm PHIL PAN HD TYPE AB
14	80101019	1	HOLE TRIM REAR SIDE PANEL RIGHT
15	80106956	1	COVER, ENGINE BLACK
16	80101118	1	COVER ENGINE REAR RD
17	80101018	1	COVER REAR FENDER LEFT
18	80106957	1	VENT PANEL LEFT
19	-----	2	NUT HEX FLANGE M6
20	-----	1	COVER PLATE
21	-----	6	SCREW, ST No.8X10 PH PAN HD TYPE AB
22	80100823	1	SEALING, TOP

Interlock Group

Note: Unless noted otherwise, use the standard torque specifications

Mfg. No: 2691873-00



Interlock Group

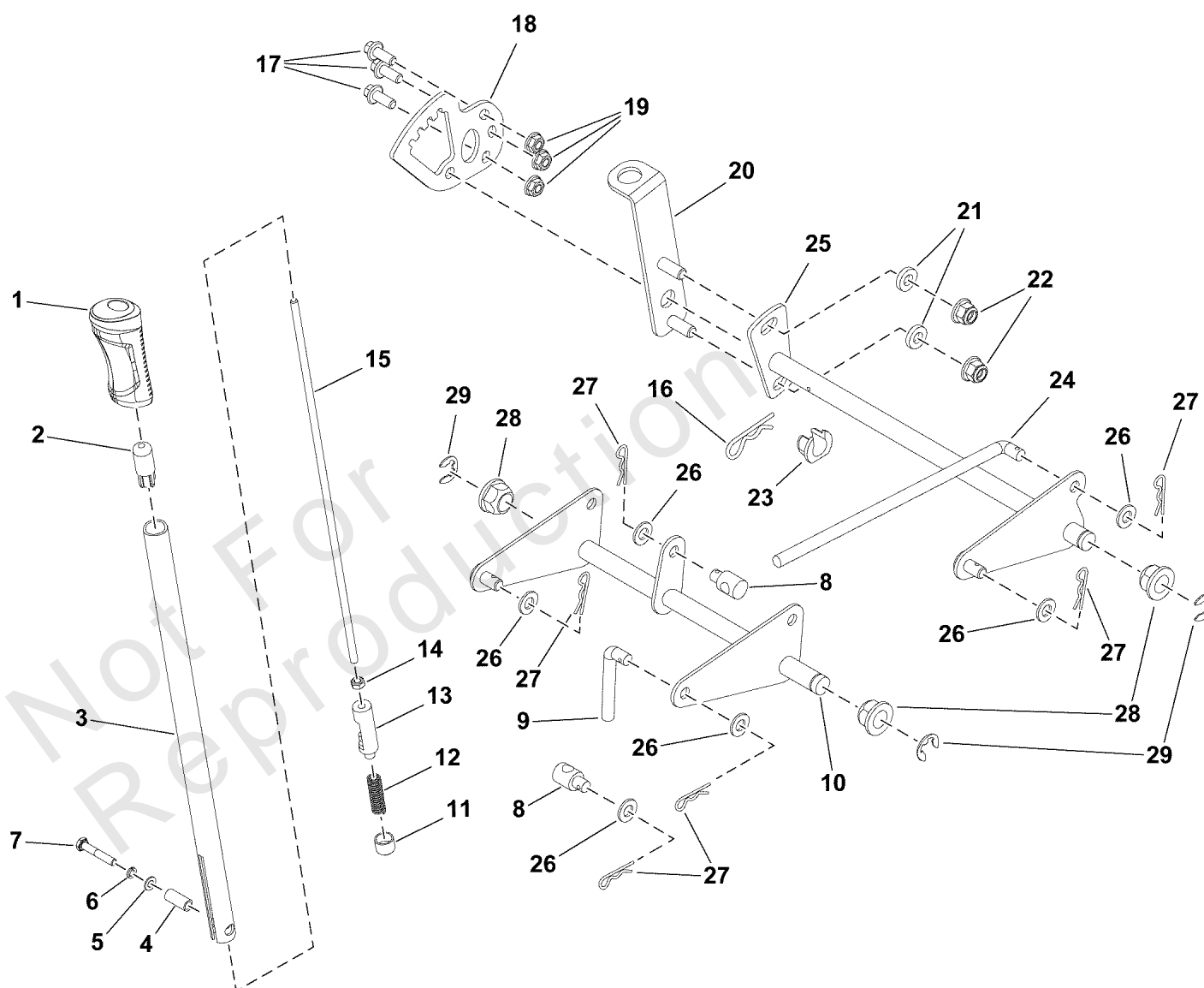
REF NO	PART NO	QTY	DESCRIPTION
1	80101205	1	KNOB, PARK BRAKE
2	80101097	1	PUSH ROD UNLOCK
3	-----	2	BOLT, HEX FLANGE HEAD M8*25
4	-----	2	BUSHING
5	80101096	1	ROD LINKAGE
6	-----	3	LOCKNUT HEX FLANGE M8
7	80100954	2	R CLIP 10 DIA SHAFT X 2mm DIA
8	-----	1	WASHER, FLAT M10 X 2
9	-----	1	PIVOT BRACKET LEVER
10	80101102	1	PUSH ROD ASSEMBLY INTERLOCK
11	-----	1	WASHER, FLAT M8
12	80101099	1	SPRING INTERLOCK
13	-----	1	LOCK PLATE
14	-----	1	SLEEVE 12 OD x 8.1 ID x 46mm
15	-----	1	BOLT, HEX HEAD M8*65

Not For Reproduction

Lift Group

Note: Unless noted otherwise, use the standard torque specifications

Mfg. No: 2691873-00



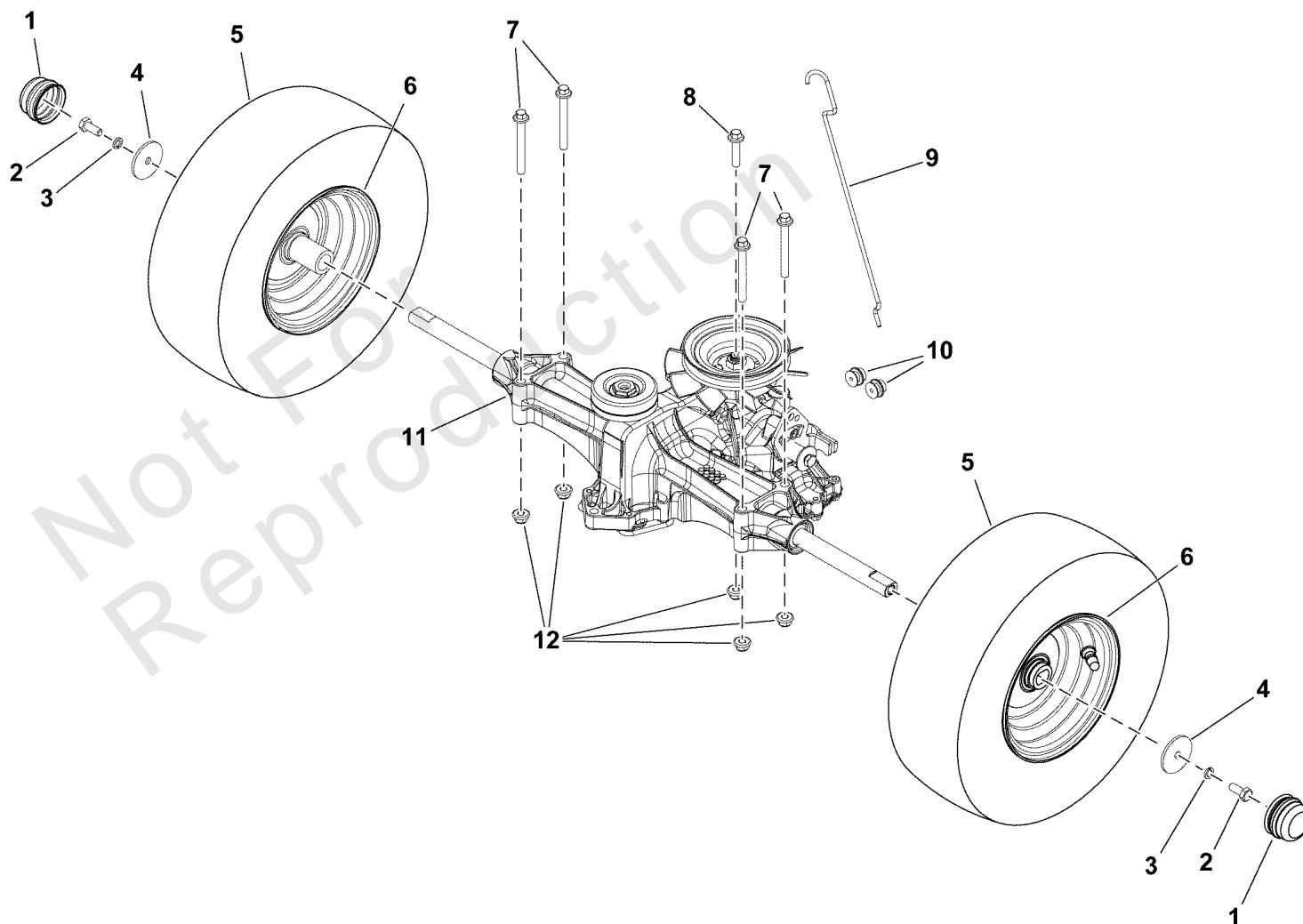
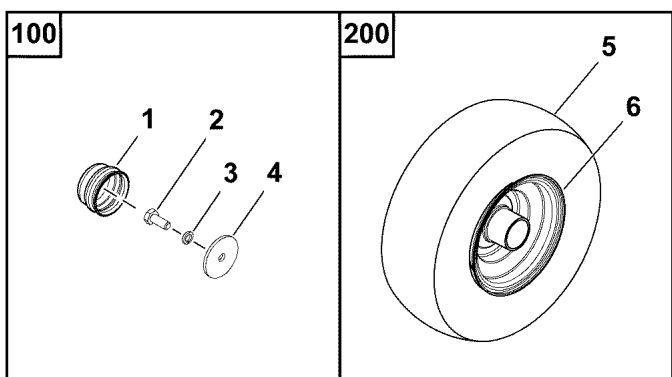
Lift Group

REF NO	PART NO	QTY	DESCRIPTION
1	80100968	1	HANDLE LIFT
2	80100967	1	BUTTON LIFT
3	80100969	1	LEVER LIFT
4	80100974	1	BUSH LIFT LEVER
5	-----	1	WASHER, FLAT M6 x 1.2mm
6	-----	1	WASHER, SPRING M6
7	-----	1	BOLT, HEX HEAD M6 x 35MM
8	80100979	2	PIN ADJUSTING
9	80100980	1	ROD ADJUSTING
10	80100983	1	ARM ASSEMBLY FRONT
11	80100973	1	RETAINER SPRING
12	80100972	1	SPRING COMPRESSION
13	80100971	1	PIN SEGMENT
14	-----	1	NUT HEX M6
15	80100970	1	PUSH ROD
16	-----	1	R CLIP 16 DIA SHAFT X 3mm DIA
17	-----	3	BOLT, HEX FLANGE M8 x 20
18	80100975	1	BRACKET, SEGMENT, DECK HEIGHT
19	-----	3	NUT HEX M8
20	-----	1	LIFT ARM ASSEMBLY
21	-----	2	WASHER, FLAT 10.1 ID x 20 OD x 4MM
22	80100707	2	LOCKNUT HEX FLANGE M10x1.25
23	80100958	1	BUSH OPEN SNAP-ON
24	80100977	1	ROD LINK
25	80100982	1	ARM ASSEMBLY REAR
26	-----	8	WASHER, FLAT M10 X 2
27	80100954	6	R CLIP 10 DIA SHAFT X 2mm DIA
28	80100978	3	BUSH HEXAGON
29	-----	3	E-CLIP 12 DIA x 1.2mm

Rear Axle Group

Note: Unless noted otherwise, use the standard torque specifications

Mfg. No: 2691873-00



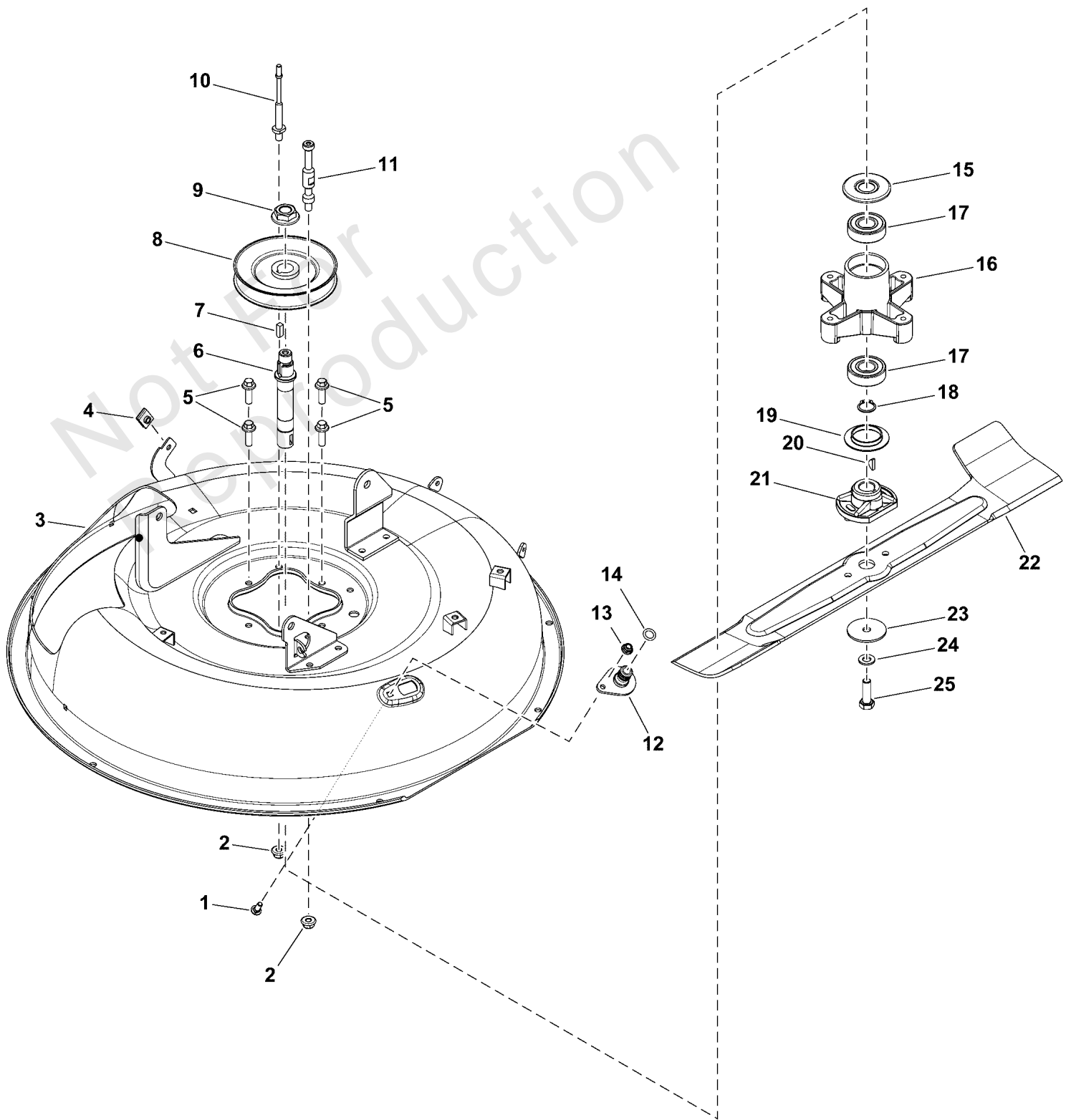
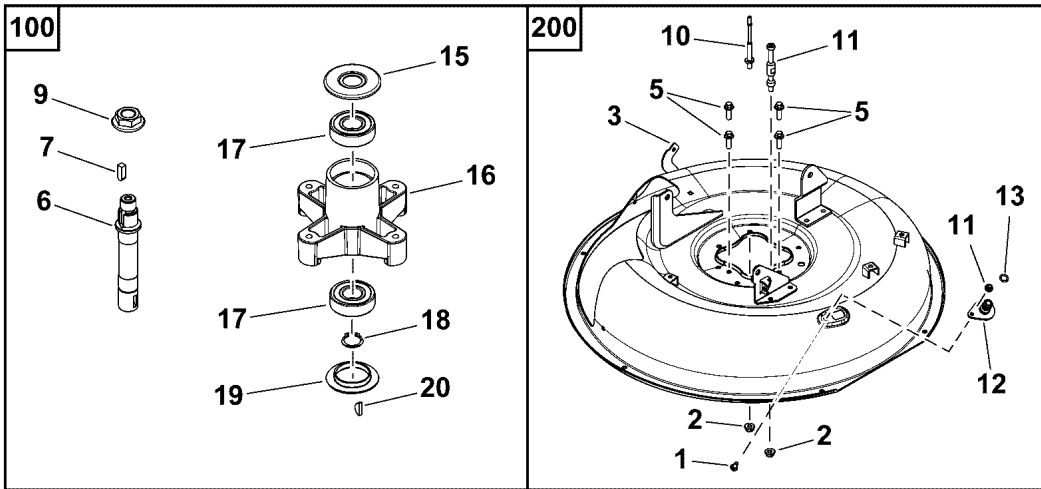
Rear Axle Group

REF NO	PART NO	QTY	DESCRIPTION
1	-----	2	HUB COVER -(Included with Ref. No. 100)
2	-----	2	BOLT, HEX HEAD 5/16"-24 x 3/4" -(Included with Ref. No. 100)
3	-----	2	WASHER, SPRING 5/16" -(Included with Ref. No. 100)
4	-----	2	WASHER, FLAT 8.2ID x 43OD x 3mm -(Included with Ref. No. 100)
5	-----	2	TYRE 13" x 5.00-6 -(Included with Ref. No. 200)
6	-----	2	RIM REAR WHEEL -(Included with Ref. No. 200)
7	-----	4	BOLT, HEX HEAD M8X70
8	-----	1	BOLT, HEX FLANGE M8X35
9	80101261	1	PULL ROD
10	80105914	2	SLEEVE HYDRO-GEAR
11	80101036	1	TRANSAXLE HYDRO-GEAR T1 2010-1004
12	-----	5	LOCKNUT HEX FLANGE M8
100	80104160	1	KIT HUBCAP & HARDWARE, REAR WHEEL -(Incl. Ref. Nos. 1, 2, 3 & 4)
200	80104161	1	KIT WHEEL ASSY REAR 13x5.00-6 -(Incl. Ref. Nos. 5 & 6)

Rear Discharge Deck & Blade Group

Note: Unless noted otherwise, use the standard torque specifications

Mfg. No: 2691873-00



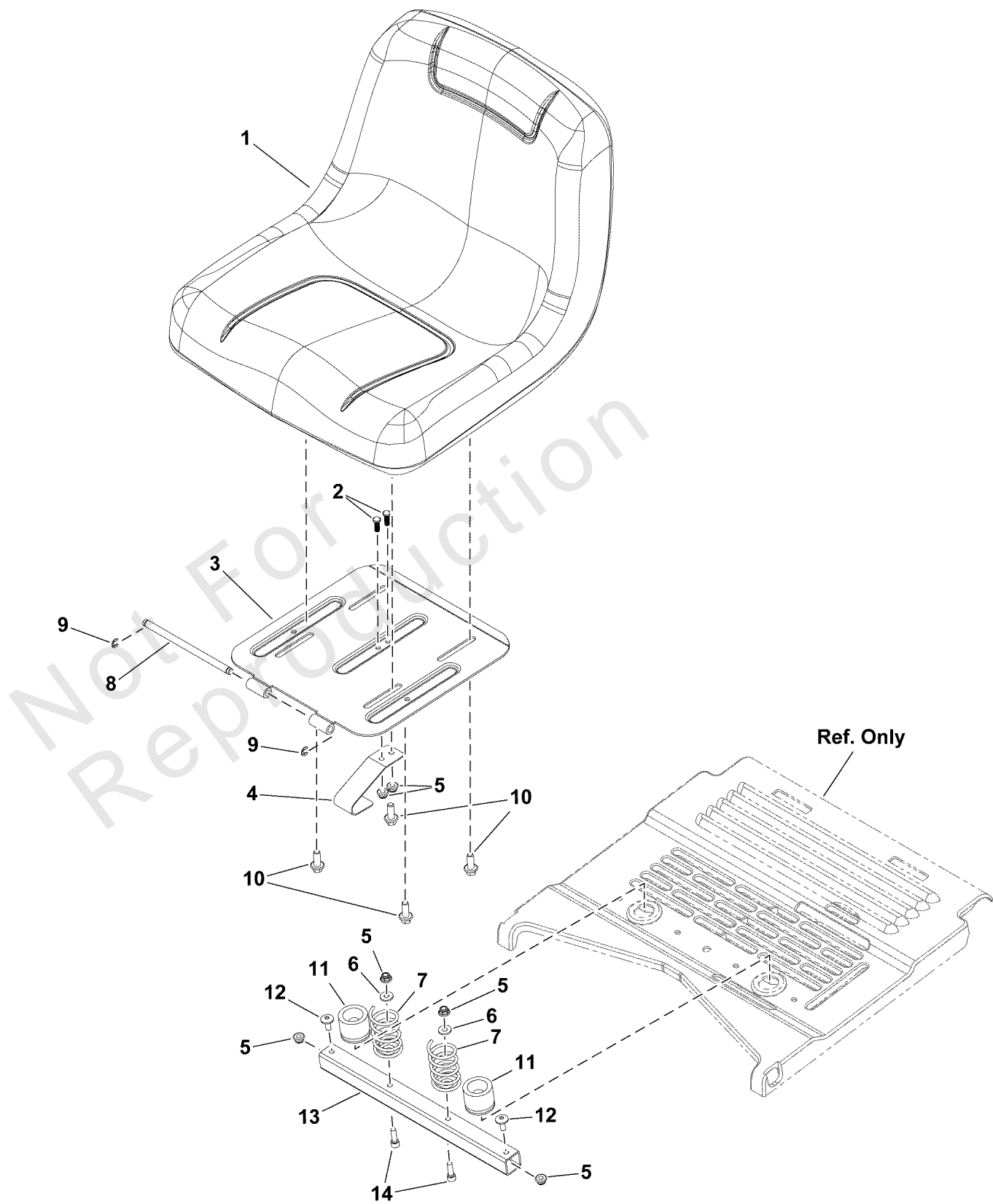
Rear Discharge Deck & Blade Group

REF NO	PART NO	QTY	DESCRIPTION
1	-----	1	BOLT, SQ NECK HALF ROUND HEAD M6X16 -(Included with Ref. No. 200)
2	-----	2	LOCKNUT HEX FLANGE M8 -(Included with Ref. No. 200)
3	80100996	1	CUTTING DECK ASSEMBLY 24" RD -(Included with Ref. No. 200)
4	-----	1	U-NUT M6 -(Included with Ref. No. 200)
5	-----	4	BOLT, HEX FLANGE HEAD M8 x 25 -(Included with Ref. No. 200)
6	80100985	1	SPINDLE BLADE -(Included with Ref. No. 100)
7	80100814	1	KEY FLAT 6 x 6 x 18mm -(Included with Ref. No. 100)
8	80100997	1	PULLEY CUTTING
9	80100990	1	NUT HEX FLANGE M16 x 2mm -(Included with Ref. No. 100)
10	80100991	1	BOLT, STANDOFF M8 -(Included with Ref. No. 200)
11	80100989	1	PIN GUIDE STAND OFF -(Included with Ref. No. 200)
12	80100988	1	CONNECTION, WATER HOSE -(Included with Ref. No. 200)
13	-----	1	LOCKNUT HEX FLANGE M6 -(Included with Ref. No. 200)
14	-----	1	O-RING 11.2 DIA x 1.8 DIA -(Included with Ref. No. 200)
15	80101319	1	COVER DUST TOP BEARING -(Included with Ref. No. 100)
16	-----	1	HOUSING BEARING -(Included with Ref. No. 100)
17	80100805	2	BEARING 6204-2RZ -(Included with Ref. No. 100)
18	80100778	1	CIRCLIP EXTERNAL 19 DIA -(Included with Ref. No. 100)
19	80100995	1	COVER DUST BOTTOM BEARING -(Included with Ref. No. 100)
20	80100815	1	KEY WOODRUFF 4x16mm -(Included with Ref. No. 100)
21	80100984	1	SLEEVE LOCKING
22	80101661	1	BLADE BAR 24"
23	80100986	1	WASHER, FLAT 10 ID x 48 OD x 2.5mm
24	-----	1	WASHER, FLAT M10 X 2
25	80100670	1	BOLT, HEX HEAD 3/8"-24 x 1-1/4 (10.9 GRADE)
100	80104163	1	KIT SPINDLE ASSY, 24" -(Incl. Ref. Nos. 6, 7, 9, 15, 16, 17 (x2), 18, 19, & 20)
200	80104164	1	KIT DECK ASSY, 24" RD -(Incl. Ref. Nos. 1-5 & 10 - 14)

Seat Group

Note: Unless noted otherwise, use the standard torque specifications

Mfg. No: 2691873-00



Seat Group

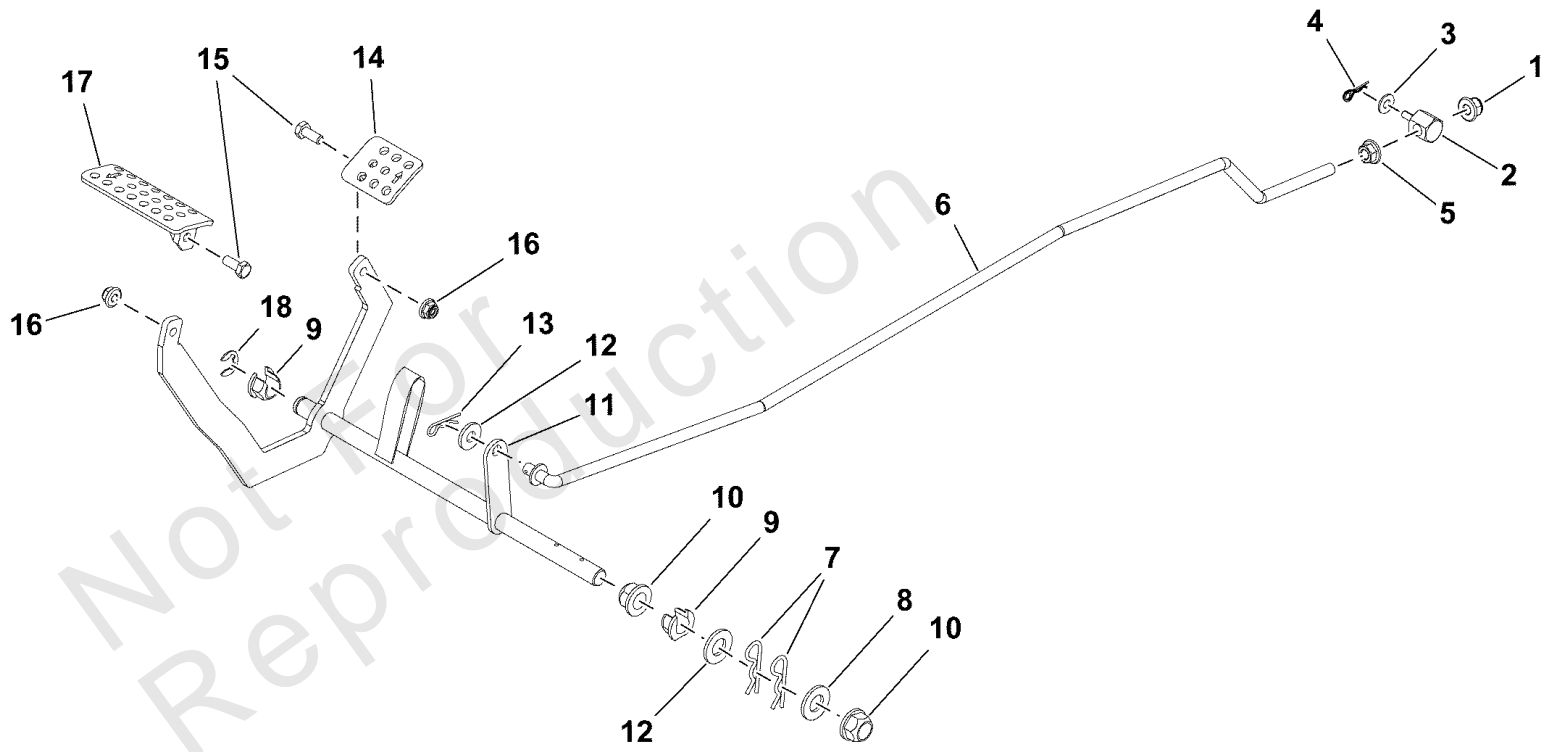
REF NO	PART NO	QTY	DESCRIPTION
1	80100965	1	SEAT LOW BACK
2	-----	2	SCREW, PAN HEAD PHILLIPS - M6 x 16
3	-----	1	PLATE SEAT MOUNTING
4	80101025	1	CONTACT SEAT SWITCH
5	-----	6	LOCKNUT HEX FLANGE M6
6	-----	2	WASHER, FLAT M6 x 1.5mm
7	-----	2	SPRING SEAT
8	-----	1	PIN
9	-----	2	E CLIP EXTERNAL 6 DIA x 0.8mm
10	-----	4	BOLT, HEX FLANGE M8 x 20
11	-----	2	RUBBER CUSHION SEAT
12	-----	2	SCREW, FLAT HEAD SOCKET CAP M6x16
13	-----	1	SUPPORT TUBE SEAT
14	-----	2	SCREW, SOCKET HEAD CAP M6X20

Not For Reproduction

Shift Group

Note: Unless noted otherwise, use the standard torque specifications

Mfg. No: 2691873-00



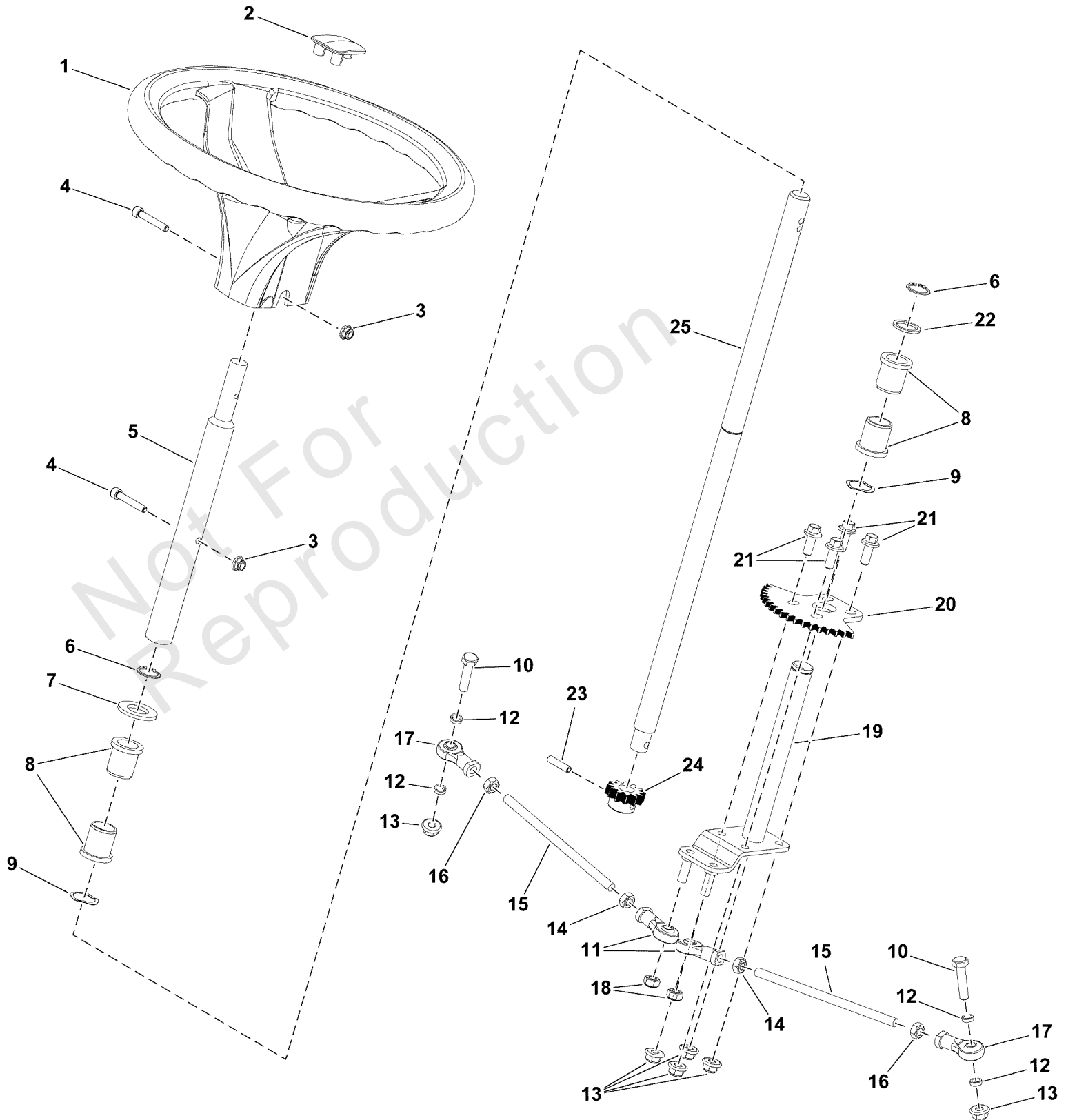
Shift Group

REF NO	PART NO	QTY	DESCRIPTION
1	80100707	1	LOCKNUT HEX FLANGE M10x1.25
2	80101092	1	ROD PIN
3	-----	1	WASHER, FLAT M8
4	80100956	1	R CLIP 6 DIA SHAFT X 1.4mm DIA
5	-----	1	NUT HEX FLANGE 10 x 1.25
6	80101093	1	ROD FORWARD
7	-----	2	R CLIP 16 DIA SHAFT X 3mm DIA
8	-----	2	WASHER, FLAT 32OD x 16.5ID x 3
9	80100958	2	BUSH OPEN SNAP-ON
10	80100978	2	BUSH HEXAGON
11	80101105	1	LEVER ASSEMBLY ACCELERATOR
12	-----	1	WASHER, FLAT M10 x 3mm
13	80100954	1	R CLIP 10 DIA SHAFT X 2mm DIA
14	80101103	1	PEDAL ASSEMBLY REVERSE
15	-----	2	BOLT, HEX HEAD M8 x 20
16	-----	2	LOCKNUT HEX FLANGE M8
17	80101104	1	PEDAL ASSEMBLY FORWARD
18	-----	1	E-CLIP 12 DIA x 1.2mm

Steering Group

Note: Unless noted otherwise, use the standard torque specifications

Mfg. No: 2691873-00



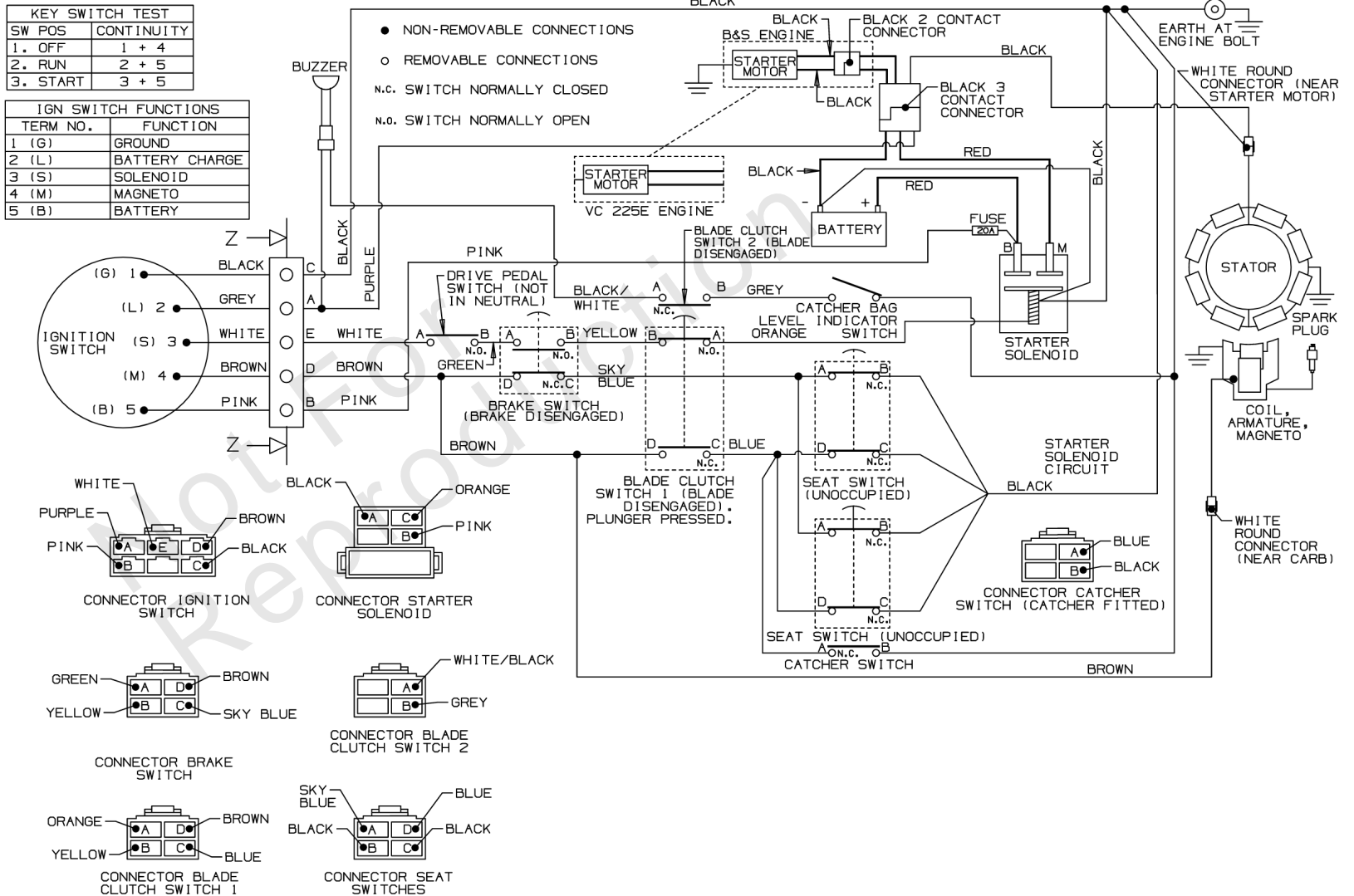
Steering Group

REF NO	PART NO	QTY	DESCRIPTION
1	80100900	1	STEERING WHEEL
2	80105954	0	CAP STEERING WHEEL
3	-----	2	LOCKNUT HEX FLANGE M6
4	-----	2	SCREW, SOCKET HEAD CAP M6X35MM
5	-----	1	STEERING COLUMN EXTENSION ROD
6	80100778	2	CIRCLIP EXTERNAL 19 DIA
7	-----	1	WASHER, FLAT 20.5ID X 37OD X 2.5
8	-----	4	BUSH STEERING
9	-----	2	WASHER, WAVE 20DIA X 0.4mm
10	-----	2	BOLT, HEX HEAD M8X35
11	80100808	2	ROD END BEARING SIJK8C
12	-----	4	SPACER
13	-----	6	LOCKNUT HEX FLANGE M8
14	-----	2	NUT HEX M8
15	80100897	2	PULL ROD
16	-----	2	NUT HEX M8 (LEFT HAND THREAD)
17	80100809	2	ROD END BEARING SIJK8C M8 LEFT
18	-----	2	LOCKNUT HEX M8
19	-----	1	STEERING COLUMN ASSEMBLY
20	80101089	1	STEERING SECTOR GEAR
21	-----	4	BOLT, HEX FLANGE M8 x 20
22	80101318	1	WASHER, BEARING 20.2ID X 26OD X 2
23	80100801	1	ROLL PIN 6DIA X 26
24	-----	1	PINION STEERING
25	-----	1	STEERING COLUMN

Wiring Schematic

Note: Unless noted otherwise, use the standard torque specifications

Mfg. No: 2691873-00



Wiring Schematic

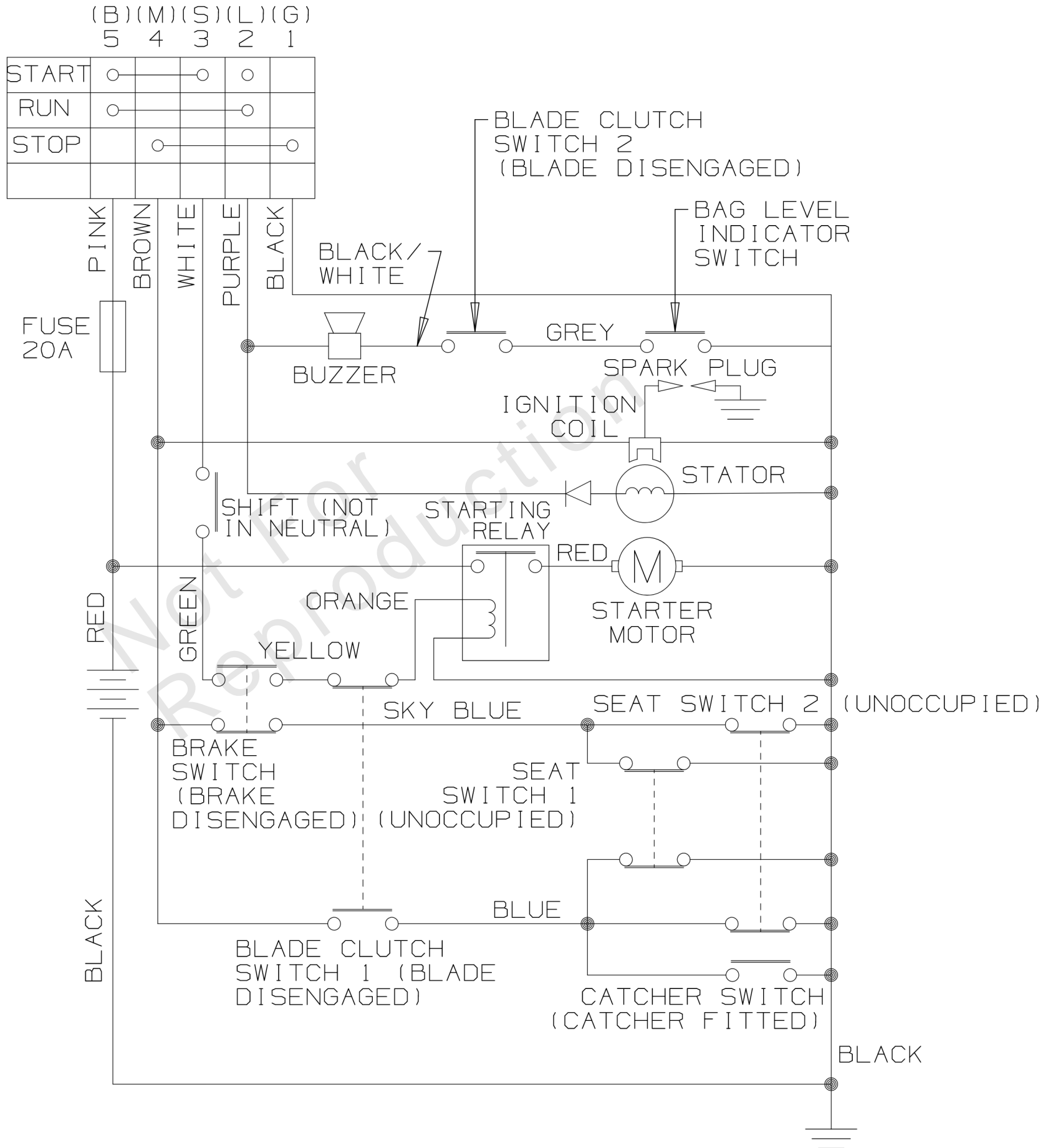
REF NO	PART NO	QTY	DESCRIPTION
--------	---------	-----	-------------

Not For Reproduction

Wiring Schematic - Starter

Note: Unless noted otherwise, use the standard torque specifications

Mfg. No: 2691873-00



Wiring Schematic - Starter

REF NO	PART NO	QTY	DESCRIPTION
--------	---------	-----	-------------

Not For Reproduction

Hardware Identification & Torque Specifications

Torque Specification Chart								
FOR STANDARD METRIC MACHINE HARDWARE (Tolerance ± 20%)								
Property Class	5.6		8.8		10.9		12.9	
	Class 5.6		Class 8.8		Class 10.9		Class 12.9	
Size Of Hardware	in/lbs	Nm.	in/lbs	Nm.	in/lbs	Nm.	in/lbs	Nm.
	ft/lbs		ft/lbs		ft/lbs		ft/lbs	
M3	5.88	.56	13.44	1.28	19.2	1.80	22.92	2.15
M4	13.44	1.28	30.72	2.90	43.44	4.10	52.56	4.95
M5	26.4	2.50	60.96	5.75	5.97	8.10	7.15	9.7
M6	44.64	4.3	7.3	9.9	10.3	14	12.1	16.5
M7	5.2	7.1	12.1	16.5	16.9	23	19.9	27
M8	7.7	10.5	17.7	24	25	34	29	40
M10	15	21	35	48	50	67	59	81
M12	26	36	61	83	86.2	117	103	140
M14	42	58	101	132	136	185	162	220
M16	64	88	147	200	210	285	250	340
M18	89	121	202	275	287	390	346	470
M20	126	171	290	390	405	550	486	660
M22	169	230	390	530	559	745	656	890
M24	217	295	497	375	708	960	840	1140
M27	320	435	733	995	1032	1400	1239	1680
M30	435	590	995	1350	1401	1900	1681	2280
M33	590	800	1349	1830	1902	2580	2278	3090
M36	759	1030	1740	2360	2441	3310	2935	3980
M39	988	1340	2249	3050	3163	4290	3798	5150

Torque Specification Chart						
FOR STANDARD MACHINE HARDWARE (Tolerance ± 20%)						
Hardware Grade	No Marks		SAE Grade 5		SAE Grade 8	
	SAE Grade 2		SAE Grade 5		SAE Grade 8	
Size Of Hardware	in/lbs	Nm.	in/lbs	Nm.	in/lbs	Nm.
	ft/lbs		ft/lbs		ft/lbs	
8-32	19	2.1	30	3.4	41	4.6
8-36	20	2.3	31	3.5	43	4.9
10-24	27	3.1	43	4.9	60	6.8
10-32	31	3.5	49	5.5	68	7.7
1/4-20	66	7.6	8	10.9	12	16.3
1/4-28	76	8.6	10	13.6	14	19.0
5/16-18	11	15.0	17	23.1	25	34.0
5/16-24	12	16.3	19	25.8	29	34.0
3/8-16	20	27.2	30	40.8	45	61.2
3/8-24	23	31.3	35	47.6	50	68.0
7/16-14	30	40.8	50	68.0	70	95.2
7/16-20	35	47.6	55	74.8	80	108.8
1/2-13	50	68.0	75	102.0	110	149.6
1/2-20	55	74.8	90	122.4	120	163.2
9/16-12	65	88.4	110	149.6	150	204.0
9/16-18	75	102.0	120	163.2	170	231.2
5/8-11	90	122.4	150	204.0	220	299.2
5/8-18	100	136	180	244.8	240	326.4
3/4-10	160	217.6	260	353.6	386	525.0
3/4-16	180	244.8	300	408.0	420	571.2
7/8-9	140	190.4	400	544.0	600	816.0
7/8-14	155	210.8	440	598.4	660	897.6
1-8	220	299.2	580	788.8	900	1,244.0
1-12	240	326.4	640	870.4	1,000	1,360.0

The guides and ruler furnished below are designed to help you select the appropriate hardware.



Nut, M8

Thread Diameter (mm)

Inside Diameter (in) Threads per inch

Nut, 1/2-16



Screw, M8- 1.25 x 25

Thread Diameter (mm) Distance between threads (mm) Body Length (mm)

Body Diameter Threads per inch Body Length (in)

Screw, 1/2- 16 x 2



Standard Hardware Sizing

When a washer or nut is identified as 1/2" (M8), this is the *Nominal size*, meaning the *inside diameter* is 1/2 inch (8mm metric thread diameter); if a second number is present it represents the *threads per inch* (distance between threads).

When bolt or capscrew is identified as 1/2 - 16 x 2" (M8 - 1.25 x 50), this means the *Nominal size*, or body diameter is 1/2 inch (8mm metric thread diameter), the second number, 16, represents the *threads per inch*, (*distance between threads*). The final number is the body length of the bolt or screw, 2 inches (50mm).

NOTES

- These torque values are to be used for all hardware excluding: locknuts, self-tapping screws, thread forming screws, sheet metal screws and socket head setscrews.
- Recommended seating torque values for locknuts:
 - for prevailing torque locknuts - use 65% of grade 5 torques.
 - for flange whizlock nuts and screws - use 135% of grade 5 torques.
- Unless otherwise noted on assembly drawings, all torque values must meet this specification.

Common Hardware Types

Hex Head Capscrew



Washer



Carriage Bolt



Hex Nut

Wrench & Fastener Size Guide

1/4" Bolt or Nut Wrench—7/16"	5/16" Bolt or Nut Wrench—1/2"	3/8" Bolt or Nut Wrench—9/16"	7/16" Bolt or Nut Wrench (Bolt)—5/8" Wrench (Nut)—11/16"	1/2" Bolt or Nut Wrench—3/4"
M6 Bolt or Nut Wrench—10mm	M8 Bolt or Nut Wrench—13mm	M10 Bolt or Nut Wrench—17mm	M12 Bolt or Nut Wrench—19mm	M14 Bolt or Nut Wrench—22mm

VICTA