



# Parts Manual

Mfg. No: 2691498-01  
SPX, 23 Gross HP Lawn Tractor (2018)



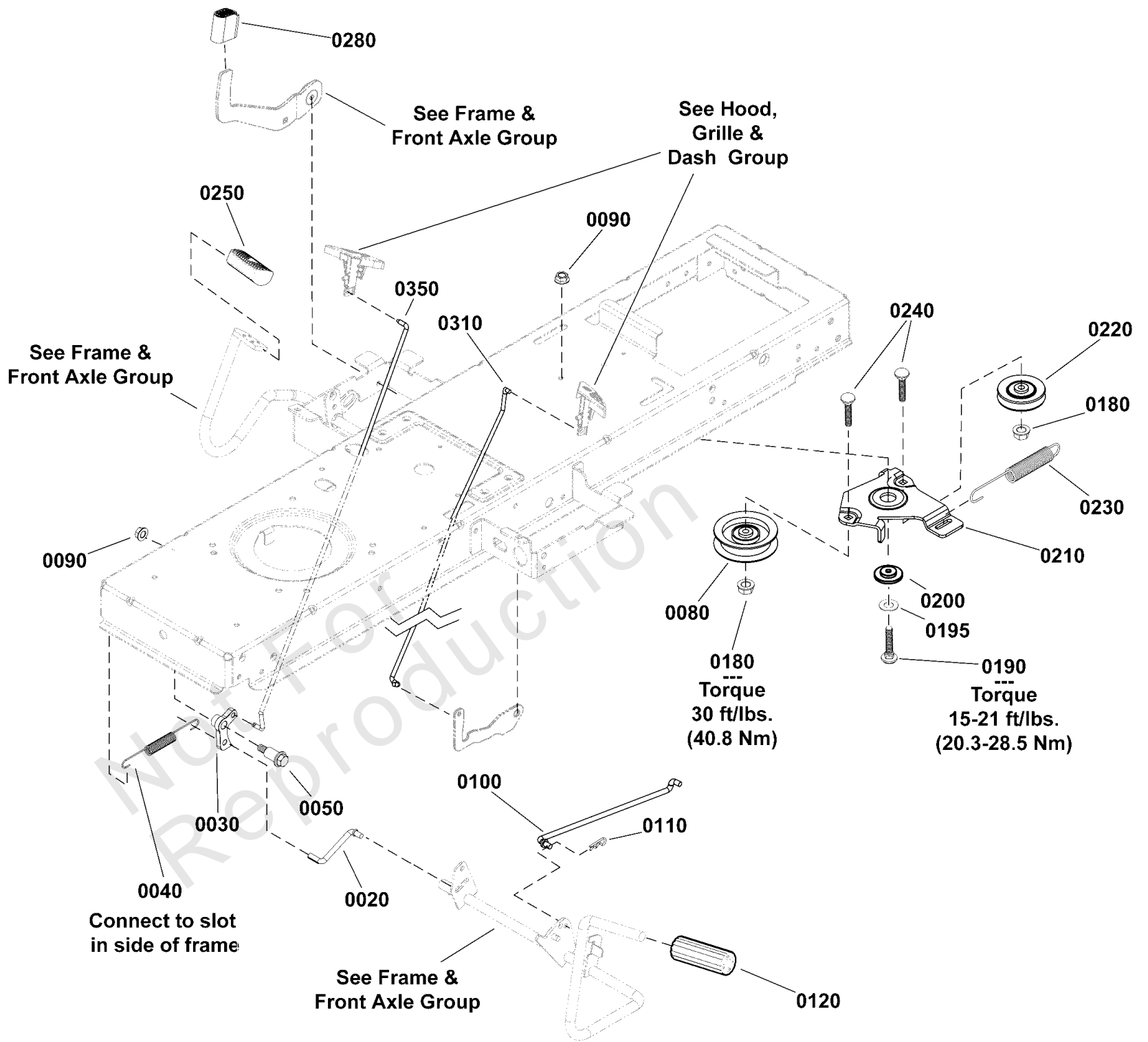
| <b>Model Components</b>                                     | <b>Page</b> |
|---|-------------|
| Controls Group.....   | 4           |
| Decal Group.....  | 6           |
| Electrical Group.....                                       | 8           |
| Electrical Schematic -.....                                 | 12          |
| Electrical Schematic - Charging Circuit.....                | 14          |
| Electrical Schematic - Cranking Circuit.....                | 16          |
| Electrical Schematic - Headlight Circuit.....               | 18          |
| Electrical Schematic - Height of Cut.....                   | 20          |
| Electrical Schematic - Hour Meter.....                      | 22          |
| Electrical Schematic - Ignition Shutdown.....               | 24          |
| Electrical Schematic - PTO Clutch Circuit.....              | 26          |
| Engine Group.....   | 28          |
| Frame & Front Axle Group.....                               | 30          |
| Front Axle Group.....                                       | 32          |
| Hood, Grille & Dash Group.....                              | 34          |
| Lift Group - Manual.....                                    | 36          |
| Seat Deck & Fuel Tank Group.....                            | 38          |
| Seat Group.....   | 40          |
| Steering Group.....   | 42          |
| Transmission Group - Tuff Torq K46BP.....                   | 44          |
| Transmission SERVICE PARTS - Tuff Torq K46BP (1729588)..... | 46          |
| Wheels & Tires.....   | 50          |
| Torque Specification Chart.....                             | 52          |

Not For  
Reproduction

# Controls Group

Note: Unless noted otherwise, use the standard torque specifications

Mfg. No: 2691498-01



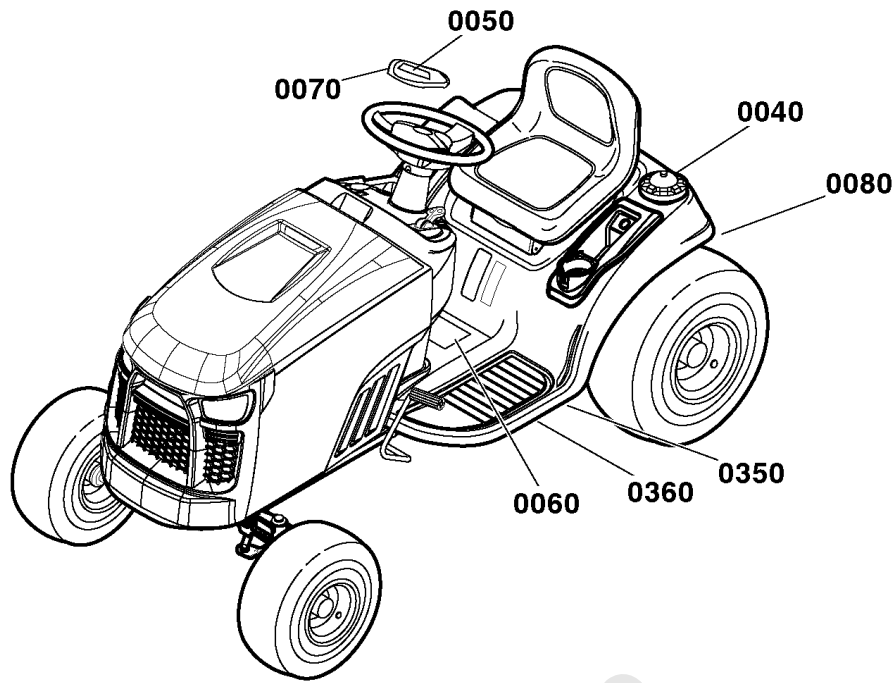
## Controls Group

| REF NO | PART NO    | QTY | DESCRIPTION                                 |
|--------|------------|-----|---|
| 0020   | 1727899SM  | 1   | ROD, Cruise Latch, 5/16 Dia. x 2-13/16 Long |
| 0030   | 1727897SM  | 1   | LATCH, Cruise                               |
| 0040   | 2159181SM  | 1   | SPRING, Extension, 9/16 OD x 7-3/4          |
| 0050   | 1728976SM  | 1   | BOLT, Shoulder, 5/16-18 x 1-5/8             |
| 0080   | 1728000SM  | 1   | PULLEY, Idler, 3-1/8 OD, 3/8 ID             |
| 0090   | 703115     | 2   | NUT   |
| 0100   | 1727254SM  | 1   | ROD, Brake Return, 5/16 Dia. x 12-5/8 Long  |
| 0110   | 1722460SM  | 1   | PIN, Quick, 1-3/16 Long                     |
| 0120   | 1727261SM  | 1   | PEDAL-BRAKE BLACK RUB                       |
| 0180   | 1960687SM  | 2   | NUT, Hex Flange, ESNA, 3/8-16               |
| 0190   | 703570     | 1   | CAPSCREW, Hex Head, 5/16-18 x 1 1/4         |
| 0195   | 1919326SM  | 1   | WASHER, 5/16                                |
| 0200   | 1727935SM  | 1   | SPACER-PIVOT 0.330ID                        |
| 0210   | 1727894ASM | 1   | BRACKET, Idler                              |
| 0220   | 1728001SM  | 1   | PULLEY, 3 OD, 3/8 ID                        |
| 0230   | 1729620SM  | 1   | SPRING, Extension, 1 OD x 7-1/2             |
| 0240   | 1931352SM  | 2   | BOLT, Carriage, Short Neck, 3/8-16 x 1-1/2  |
| 0250   | 1721675SM  | 1   | PAD, Foot Pedal, Forward                    |
| 0280   | 1727259SM  | 1   | PAD, Foot Pedal, Reverse                    |
| 0310   | 1739876YP  | 1   | ROD, Parking Brake, 1/4 Dia. x 16-3/8 Long  |
| 0350   | 1739877YP  | 1   | ROD, Cruise Latch, 1/4 Dia. x 17            |

# Decal Group

Note: Unless noted otherwise, use the standard torque specifications

Mfg. No: 2691498-01



0040



0050



0060



0080



0350



0360

## ***Decal Group***

---

| <b>REF NO</b> | <b>PART NO</b> | <b>QTY</b> | <b>DESCRIPTION</b>                      |
|---------------|----------------|------------|---|
| 0040          | 1760486YP      | 1          | DECAL, BRAND - VICTA                    |
| 0050          | 84003543       | 1          | DECAL, Victa Logo                       |
| 0060          | 1750191YP      | 1          | DECAL, Tunnel, Export                   |
| 0070          | 84002250       | 1          | CAP, Steering Wheel                     |
| 0080          | 1730202SM      | 1          | DECAL, Transmission Tow / Release Lever |
| 0350          | 1758891YP      | 1          | LABEL, C-TIK /ICES ANSI EXP             |
| 0360          | 380393YP       | 1          | LABEL, Soley For Export, CFR 40 Exempt  |

Not For Reproduction





## Electrical Group

| REF NO | PART NO   | QTY | DESCRIPTION   |
|--------|-----------|-----|---|
| E1     | -----     | 1   | HEADLIGHT, Left   |
| E2     | -----     | 1   | HEADLIGHT, Right  |
| F1     | 1731957SM | 1   | FUSE, Wiring Harness  |
| F3     | 1731957SM | 1   | FUSE, Wiring Harness  |
| G1     | -----     | 1   | BATTERY, 12 Volt, 230 CCA   |
| M1     | 592599    | 1   | MOTOR, Starter  |
| M2     | 1761788YP | 1   | MOTOR, Electric<br>-(Optional Accessory)  |
| P1     | 1731185SM | 1   | METER-HOUR DIGITAL NO<br>-(Optional Accessory)                                  |
| P2     | 1758654YP | 1   | DISPLAY, Mini Meter<br>-(Optional Accessory)                                    |
| S1     | 1761507YP | 1   | SWITCH, Ignition  |
| S2     | 1722887YP | 1   | SWITCH, PTO Push/Pull, Yel Knob w/Symbols, 8 Terminal                           |
| S3     | 1720411SM | 1   | SWITCH, NO, Black, Push Button W/Boot<br>-(Reverse Switch)                      |
| S4     | 1714771SM | 1   | SWITCH, Seat, Gray Switch, Gray Retainer  |
| S5     | 7022886YP | 1   | SWITCH, DP NO/NC SNAP<br>-(Brake Pedal Switch)                                  |
| S8     | 1761475YP | 1   | SWITCH, Height of Cut<br>-(Optional Accessory)                                  |
| S9     | 1761897YP | 1   | SWITCH, Reverse Mow Option  |
| WH1    | 1759779YP | 1   | HARNESS, Battery, Solenoid  |
| WH2    | 1761300YP | 1   | HARNESS, Main   |
| WH3    | 1761298YP | 1   | HARNESS, Headlight  |
| WH4    | 1761347YP | 1   | HARNESS, Height of Cut<br>-(Optional Accessory)                                 |
| WH5    | 84003001  | 1   | HARNESS, Mini Meter with Height of Cut Harness<br>-(Optional Accessory)         |
| X1     | -----     | 1   | CONNECTOR, Engine   |
| X4     | -----     | 1   | CHASSIS GROUND POINT  |
| X5     | -----     | 1   | CONNECTOR, Main Harness to Headlight Harness                                    |
| X6     | -----     | 1   | CONNECTOR, Battery Solenoid Harness to Main Harness                             |
| X6-A   | -----     | 1   | CONNECTOR, Mini Meter with Height of Cut Harness to Main Harness                |
| X6-B   | -----     | 1   | CONNECTOR, Mini Meter with Height of Cut Harness to Battery Solenoid<br>Harness |
| X7     | -----     | 1   | CONNECTOR, Main Harness to Height of Cut Harness                                |
| X7-A   | -----     | 1   | CONNECTOR, Mini Meter with Height of Cut Harness to Main Harness                |
| X7-B   | -----     | 1   | CONNECTOR, Mini Meter with Height of Cut Harness to Height of Cut Harness       |
| Y1     | 1755381YP | 1   | SOLENOID, L-BRACKET<br>-(Starter Solenoid)                                      |
| Y2     | 1760986YP | 1   | OGURA CLUTCH<br>-(PTO Clutch)   |
| 0050   | 1730007SM | 1   | HOLD DOWN, Battery, 1/4 Dia.  |
| 0060   | 1931318SM | 1   | BOLT, Carriage, Short Neck, 1/4-20 x 7/8 G5                                     |
| 0070   | 703229    | 1   | WASHER, 1/4   |
| 0080   | 703826    | 1   | BOLT, PUSHNUT 1/4   |
| 0090   | 703463    | 1   | NUT, GR5, 1/4-20  |
| 0110   | 704130    | 2   | SCREW, HEX, 1/4-20X.5   |
| 0320   | 2860750SM | 2   | NUT-HEX KEPS 5/16-24  |
| 0370   | 703586    | 3   | TIE, SELF LOCKING   |
| 0405   | 1732007SM | 1   | PLUG, Hole, 7/8 Dia.  |
| 0410   | 703061    | 1   | NUT, HEX KEPS, 1/4-20   |
| 0420   | 1726557SM | 2   | KEY, No Mow Module (Yellow)   |



***Electrical Group***

---

| REF NO | PART NO   | QTY | DESCRIPTION                       |
|--------|-----------|-----|-----------------------------------|
| 0430   | 1760239YP | 2   | LED HEADLIGHT AND SOCKET ASSEMBLY |

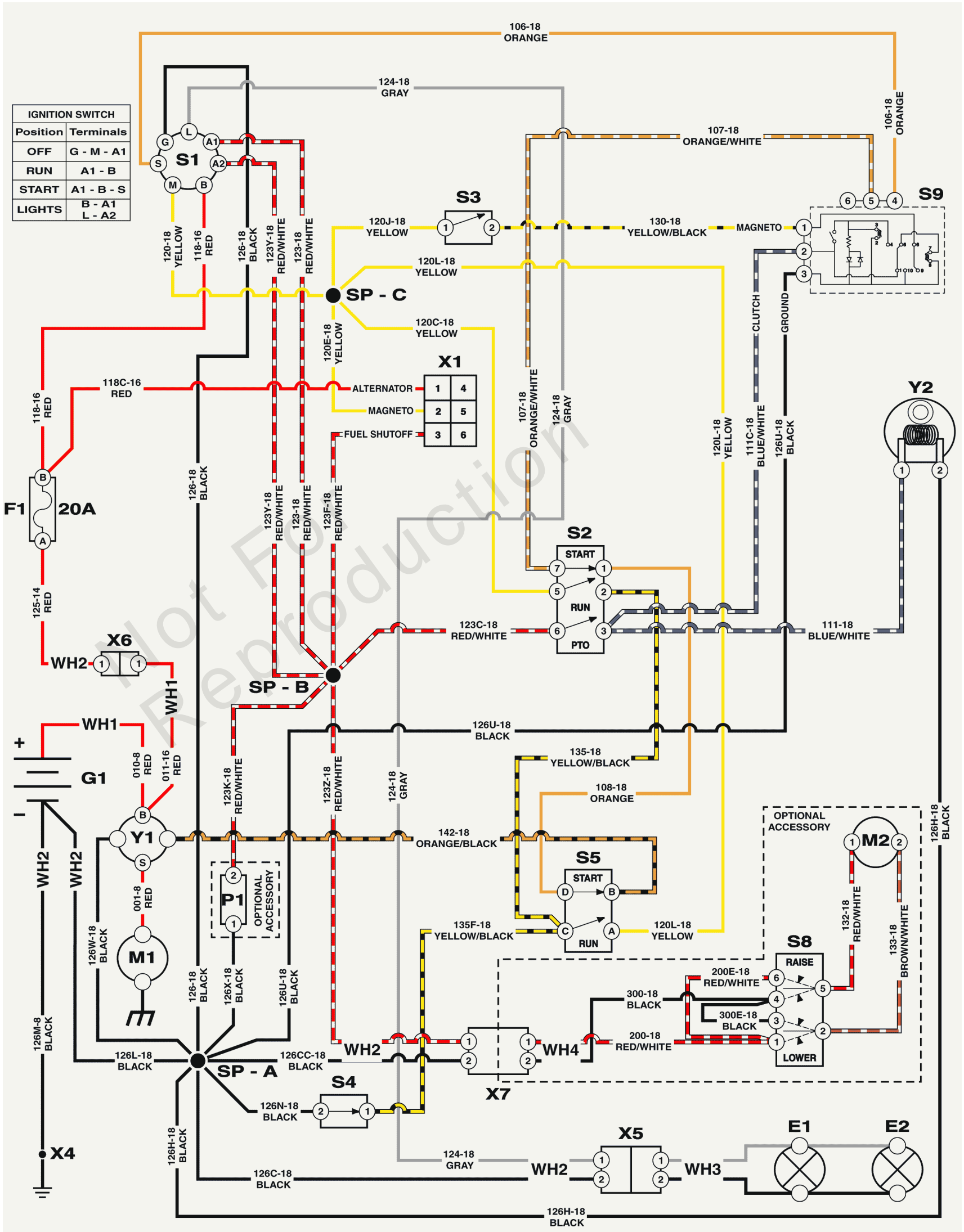
---

Not For Reproduction

# Electrical Schematic -

Note: Unless noted otherwise, use the standard torque specifications

Mfg. No: 2691498-01



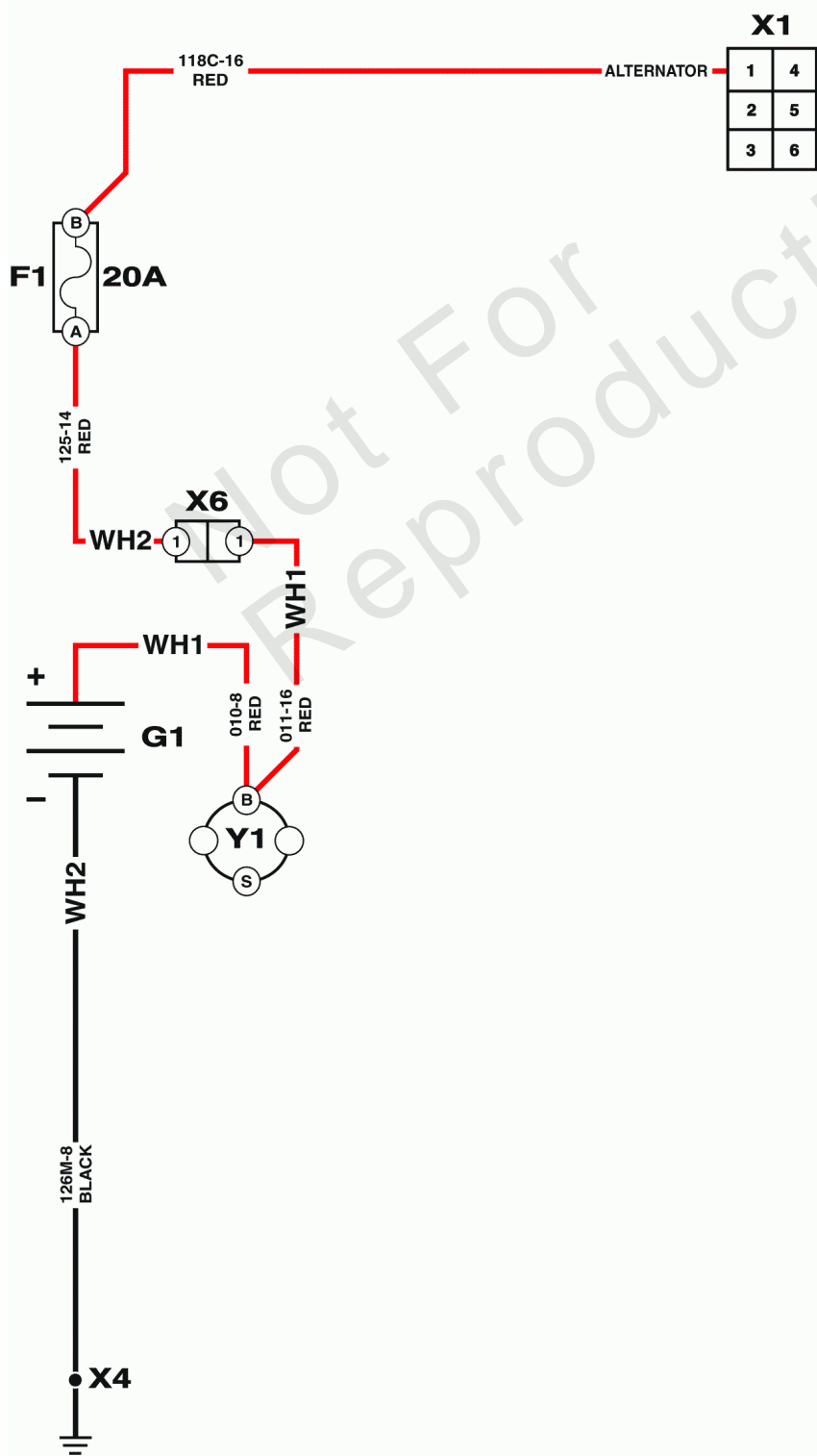
## Electrical Schematic -

| REF NO | PART NO   | QTY | DESCRIPTION  |
|--------|-----------|-----|--|
|        | -----     |     | NOTE: All electrical components represented within this electrical schematic are at rest state (no power applied). |
| E1     | -----     | 1   | HEADLIGHT, Left  |
| E2     | -----     | 1   | HEADLIGHT, Right   |
| F1     | 1731957SM | 1   | FUSE, Wiring Harness   |
| G1     | -----     | 1   | BATTERY, 12 Volt, 230 CCA  |
| M1     | 592599    | 1   | MOTOR, Starter   |
| M2     | 1761788YP | 1   | MOTOR, Electric<br>-(Optional Accessory)   |
| P1     | 1731185SM | 1   | METER-HOUR DIGITAL NO<br>-(Optional Accessory)   |
| S1     | 1761507YP | 1   | SWITCH, Ignition   |
| S2     | 1722887YP | 1   | SWITCH, PTO Push/Pull, Yel Knob w/Symbols, 8 Terminal  |
| S3     | 1720411SM | 1   | SWITCH, NO, Black, Push Button W/Boot<br>-(Reverse Switch)   |
| S4     | 1714771SM | 1   | SWITCH, Seat, Gray Switch, Gray Retainer   |
| S5     | 7022886YP | 1   | SWITCH, DP NO/NC SNAP<br>-(Brake Pedal Switch)   |
| S8     | 1761475YP | 1   | SWITCH, Height of Cut<br>-(Optional Accessory)   |
| S9     | 1761897YP | 1   | SWITCH, Reverse Mow Option   |
| SP-A   | -----     | 1   | SPLICE - A<br>-(Splices are internal to the wire harness.)   |
| SP-B   | -----     | 1   | SPLICE - B<br>-(Splices are internal to the wire harness.)   |
| SP-C   | -----     | 1   | SPLICE - C<br>-(Splices are internal to the wire harness.)   |
| WH1    | 1759779YP | 1   | HARNESS, Battery, Solenoid   |
| WH2    | 1761300YP | 1   | HARNESS, Main  |
| WH3    | 1761298YP | 1   | HARNESS, Headlight   |
| WH4    | 1761347YP | 1   | HARNESS, Height of Cut<br>-(Optional Accessory)  |
| X1     | -----     | 1   | CONNECTOR, Engine  |
| X4     | -----     | 1   | CHASSIS GROUND POINT   |
| X5     | -----     | 1   | CONNECTOR, Main Harness to Headlight Harness   |
| X6     | -----     | 1   | CONNECTOR, Battery Solenoid Harness to Main Harness  |
| X7     | -----     | 1   | CONNECTOR, Main Harness to Height of Cut Harness   |
| Y1     | 1755381YP | 1   | SOLENOID, L-BRACKET<br>-(Starter Solenoid)   |
| Y2     | 1760986YP | 1   | OGURA CLUTCH<br>-(PTO Clutch)  |

# Electrical Schematic - Charging Circuit

Note: Unless noted otherwise, use the standard torque specifications

Mfg. No: 2691498-01



## Electrical Schematic - Charging Circuit

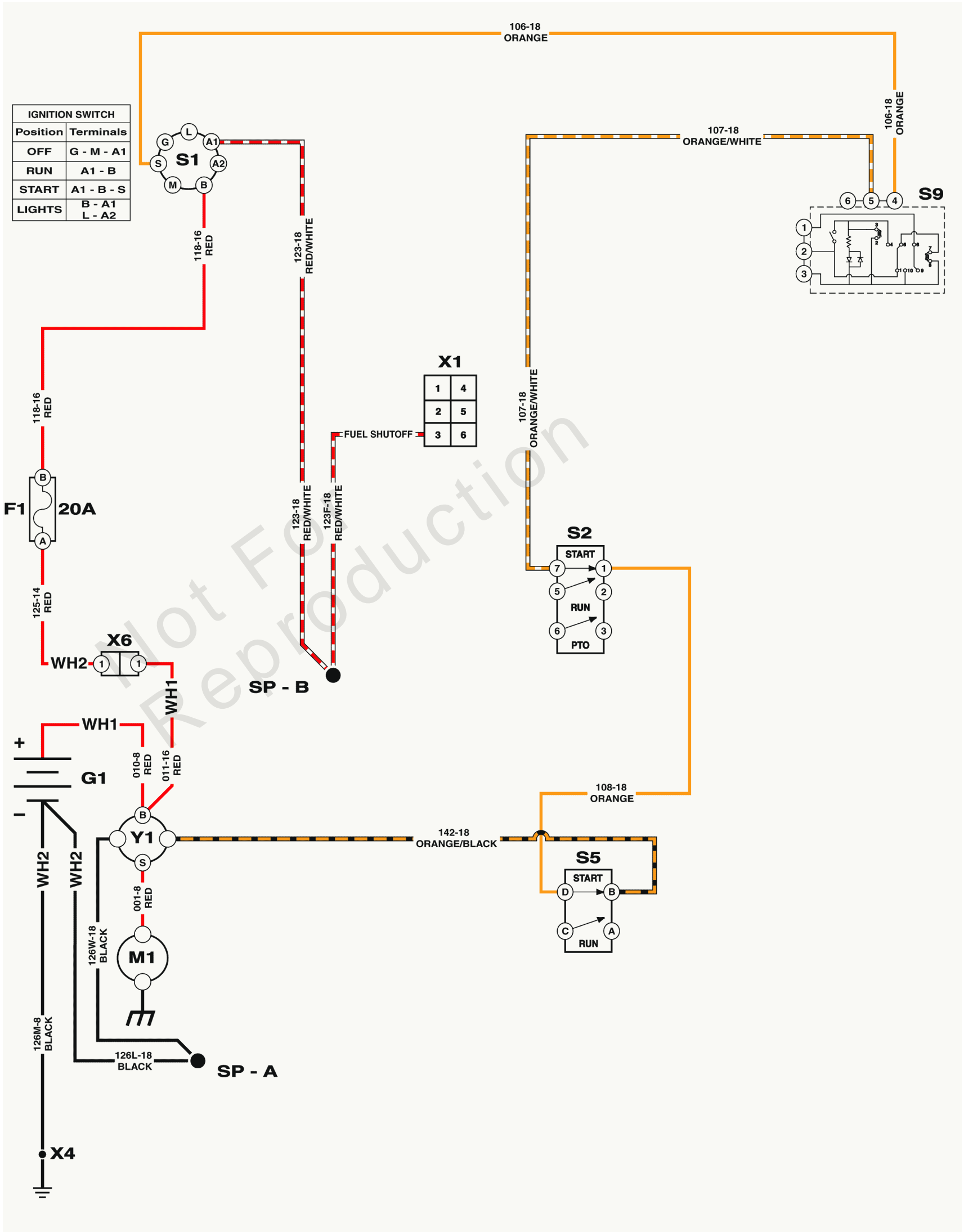
| REF NO | PART NO   | QTY | DESCRIPTION  |
|--------|-----------|-----|--|
|        | -----     |     | NOTE: All electrical components represented within this electrical schematic are at rest state (no power applied). |
| F1     | 1731957SM | 1   | FUSE, Wiring Harness   |
| G1     | -----     | 1   | BATTERY, 12 Volt, 230 CCA  |
| WH1    | 1759779YP | 1   | HARNESS, Battery, Solenoid   |
| WH2    | 1761300YP | 1   | HARNESS, Main  |
| X1     | -----     | 1   | CONNECTOR, Engine  |
| X4     | -----     | 1   | CHASSIS GROUND POINT   |
| X6     | -----     | 1   | CONNECTOR, Battery Solenoid Harness to Main Harness  |
| Y1     | 1755381YP | 1   | SOLENOID, L-BRACKET<br>-(Starter Solenoid)   |

Not For Reproduction

# Electrical Schematic - Cranking Circuit

Note: Unless noted otherwise, use the standard torque specifications

Mfg. No: 2691498-01





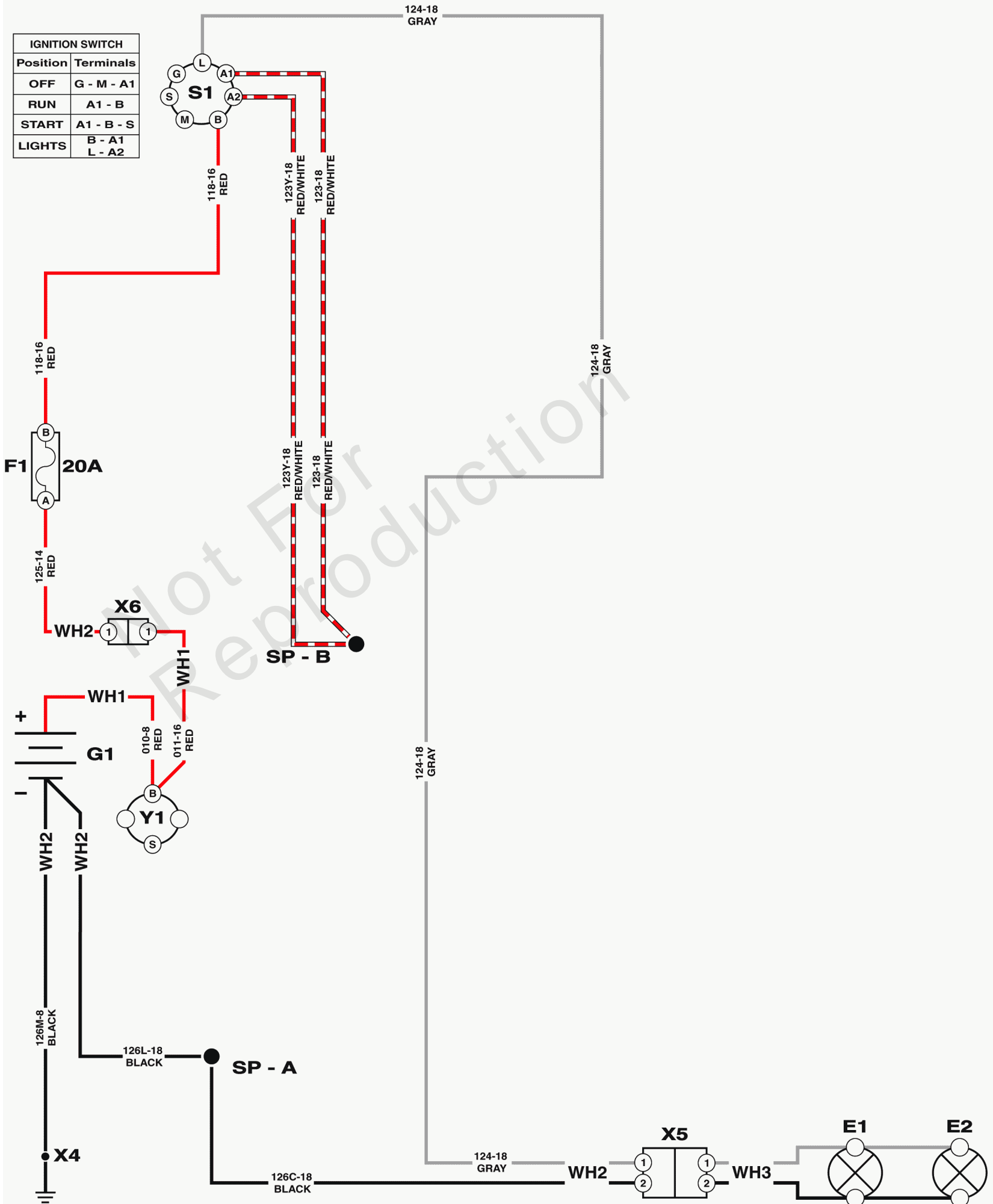
## Electrical Schematic - Cranking Circuit

| REF NO | PART NO   | QTY | DESCRIPTION  |
|--------|-----------|-----|--|
|        | -----     |     | NOTE: All electrical components represented within this electrical schematic are at rest state (no power applied). |
| F1     | 1731957SM | 1   | FUSE, Wiring Harness   |
| G1     | -----     | 1   | BATTERY, 12 Volt, 230 CCA  |
| M1     | 592599    | 1   | MOTOR, Starter   |
| S1     | 1761507YP | 1   | SWITCH, Ignition   |
| S2     | 1722887YP | 1   | SWITCH, PTO Push/Pull, Yel Knob w/Symbols, 8 Terminal  |
| S5     | 7022886YP | 1   | SWITCH, DP NO/NC SNAP<br>-(Brake Pedal Switch)   |
| S9     | 1761897YP | 1   | SWITCH, Reverse Mow Option   |
| SP-A   | -----     | 1   | SPLICE - A<br>-(Splices are internal to the wire harness.)   |
| SP-B   | -----     | 1   | SPLICE - B<br>-(Splices are internal to the wire harness.)   |
| WH1    | 1759779YP | 1   | HARNESS, Battery, Solenoid   |
| WH2    | 1761300YP | 1   | HARNESS, Main  |
| X1     | -----     | 1   | CONNECTOR, Engine  |
| X4     | -----     | 1   | CHASSIS GROUND POINT   |
| X6     | -----     | 1   | CONNECTOR, Battery Solenoid Harness to Main Harness  |
| Y1     | 1755381YP | 1   | SOLENOID, L-BRACKET<br>-(Starter Solenoid)   |

# Electrical Schematic - Headlight Circuit

Note: Unless noted otherwise, use the standard torque specifications

Mfg. No: 2691498-01



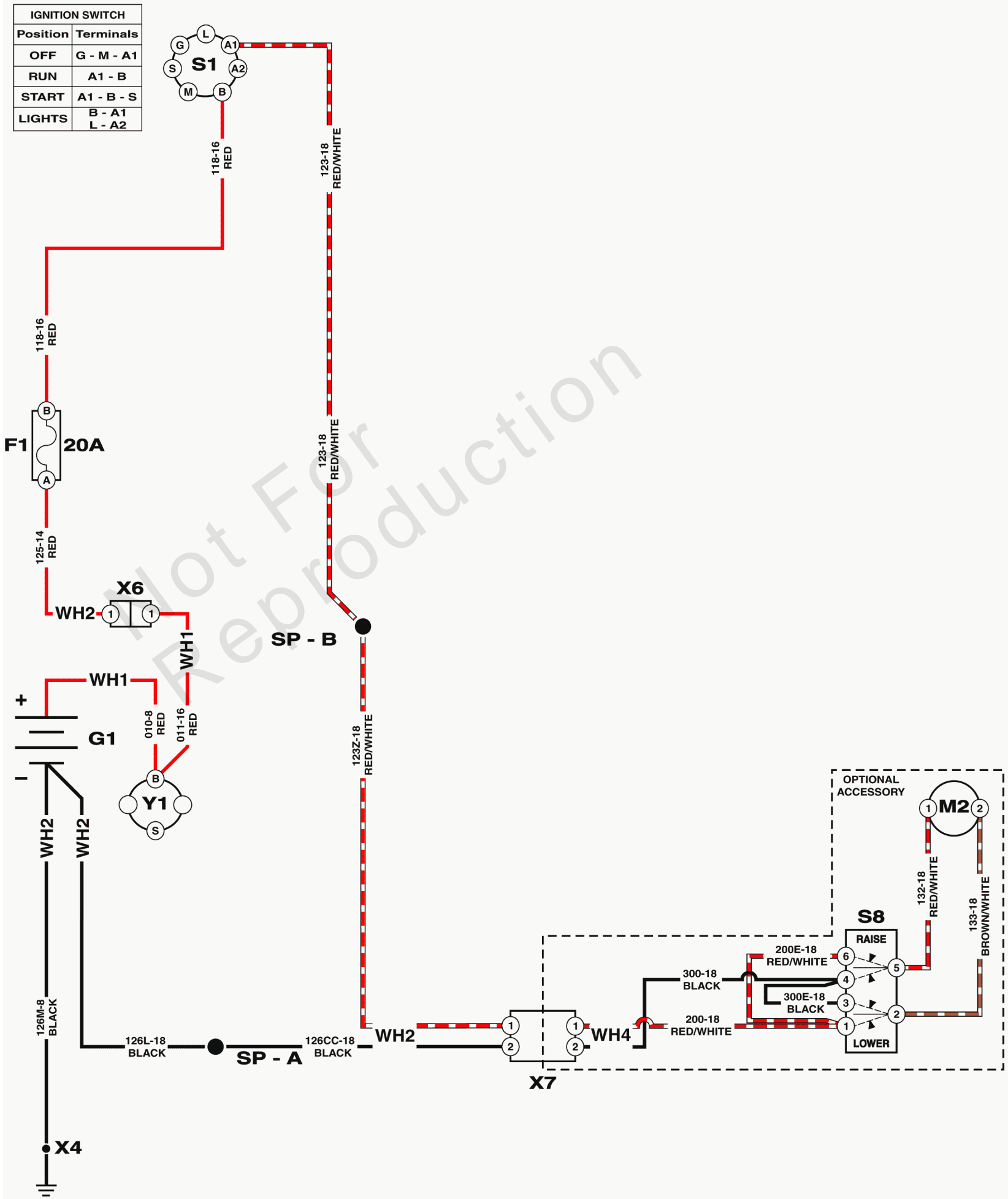
## Electrical Schematic - Headlight Circuit

| REF NO | PART NO   | QTY | DESCRIPTION  |
|--------|-----------|-----|--|
|        | -----     |     | NOTE: All electrical components represented within this electrical schematic are at rest state (no power applied). |
| E1     | -----     | 1   | HEADLIGHT, Left  |
| E2     | -----     | 1   | HEADLIGHT, Right   |
| F1     | 1731957SM | 1   | FUSE, Wiring Harness   |
| G1     | -----     | 1   | BATTERY, 12 Volt, 230 CCA  |
| S1     | 1761507YP | 1   | SWITCH, Ignition   |
| SP-A   | -----     | 1   | SPLICE - A<br>-(Splices are internal to the wire harness.)   |
| SP-B   | -----     | 1   | SPLICE - B<br>-(Splices are internal to the wire harness.)   |
| WH1    | 1759779YP | 1   | HARNESS, Battery, Solenoid   |
| WH2    | 1761300YP | 1   | HARNESS, Main  |
| WH3    | 1761298YP | 1   | HARNESS, Headlight   |
| X4     | -----     | 1   | CHASSIS GROUND POINT   |
| X5     | -----     | 1   | CONNECTOR, Main Harness to Headlight Harness   |
| X6     | -----     | 1   | CONNECTOR, Battery Solenoid Harness to Main Harness  |
| Y1     | 1755381YP | 1   | SOLENOID, L-BRACKET<br>-(Starter Solenoid)   |

# Electrical Schematic - Height of Cut

Note: Unless noted otherwise, use the standard torque specifications

Mfg. No: 2691498-01



## Electrical Schematic - Height of Cut

| REF NO | PART NO   | QTY | DESCRIPTION  |
|--------|-----------|-----|--|
|        | -----     |     | NOTE: All electrical components represented within this electrical schematic are at rest state (no power applied). |
| F1     | 1731957SM | 1   | FUSE, Wiring Harness   |
| G1     | -----     | 1   | BATTERY, 12 Volt, 230 CCA  |
| M2     | 1761788YP | 1   | MOTOR, Electric<br>-(Optional Accessory)   |
| S1     | 1761507YP | 1   | SWITCH, Ignition   |
| S8     | 1761475YP | 1   | SWITCH, Height of Cut<br>-(Optional Accessory)   |
| SP-A   | -----     | 1   | SPLICE - A<br>-(Splices are internal to the wire harness.)   |
| SP-B   | -----     | 1   | SPLICE - B<br>-(Splices are internal to the wire harness.)   |
| WH1    | 1759779YP | 1   | HARNESS, Battery, Solenoid   |
| WH2    | 1761300YP | 1   | HARNESS, Main  |
| WH4    | 1761347YP | 1   | HARNESS, Height of Cut<br>-(Optional Accessory)  |
| X4     | -----     | 1   | CHASSIS GROUND POINT   |
| X6     | -----     | 1   | CONNECTOR, Battery Solenoid Harness to Main Harness  |
| X7     | -----     | 1   | CONNECTOR, Main Harness to Height of Cut Harness   |
| Y1     | 1755381YP | 1   | SOLENOID, L-BRACKET<br>-(Starter Solenoid)   |



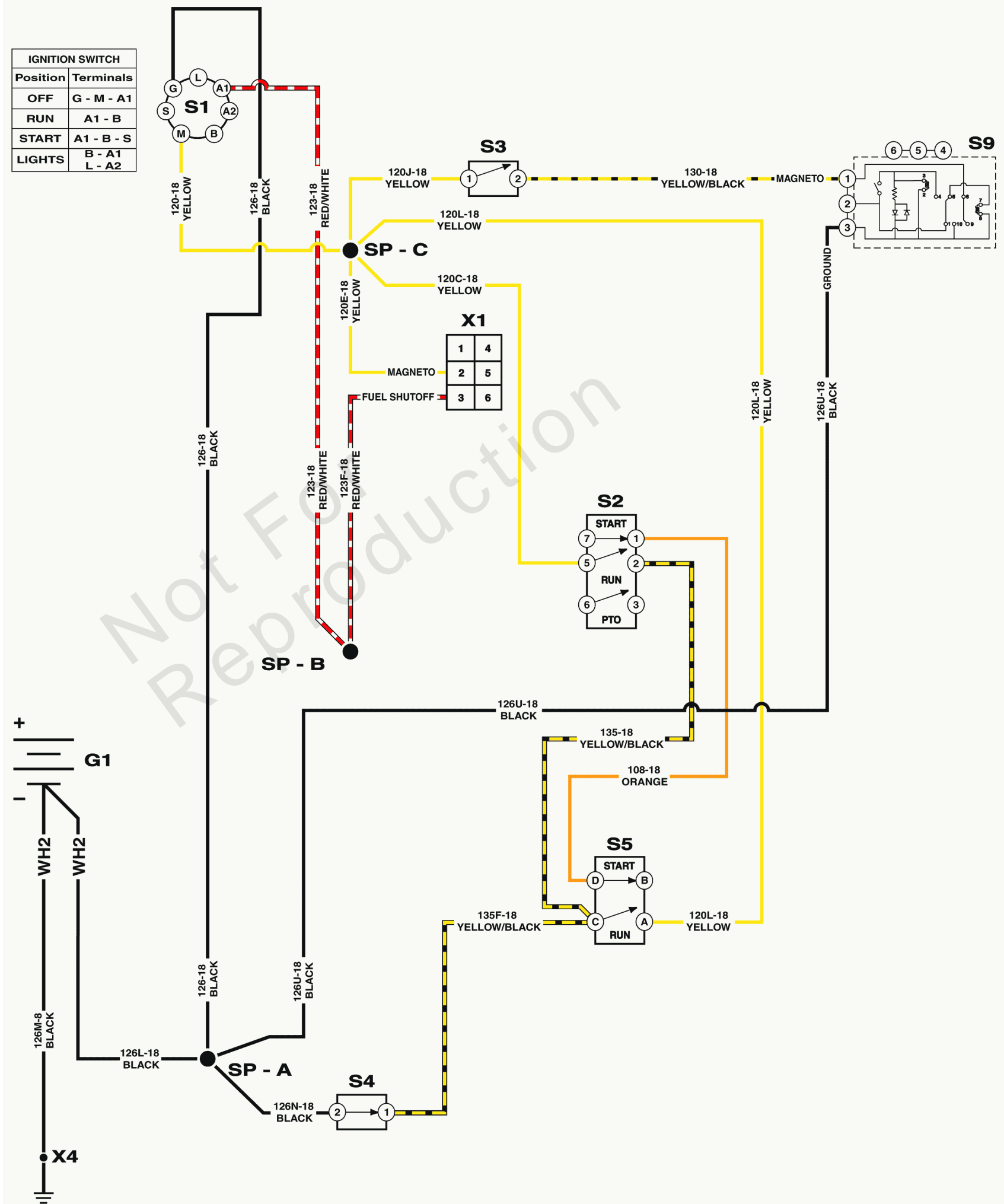
## Electrical Schematic - Hour Meter

| REF NO | PART NO   | QTY | DESCRIPTION  |
|--------|-----------|-----|--|
|        | -----     |     | NOTE: All electrical components represented within this electrical schematic are at rest state (no power applied). |
| F1     | 1731957SM | 1   | FUSE, Wiring Harness   |
| G1     | -----     | 1   | BATTERY, 12 Volt, 230 CCA  |
| P1     | 1731185SM | 1   | METER-HOUR DIGITAL NO<br>-(Optional Accessory)   |
| S1     | 1761507YP | 1   | SWITCH, Ignition   |
| SP-A   | -----     | 1   | SPLICE - A<br>-(Splices are internal to the wire harness.)   |
| SP-B   | -----     | 1   | SPLICE - B<br>-(Splices are internal to the wire harness.)   |
| WH1    | 1759779YP | 1   | HARNESS, Battery, Solenoid   |
| WH2    | 1761300YP | 1   | HARNESS, Main  |
| X4     | -----     | 1   | CHASSIS GROUND POINT   |
| X6     | -----     | 1   | CONNECTOR, Battery Solenoid Harness to Main Harness  |
| Y1     | 1755381YP | 1   | SOLENOID, L-BRACKET<br>-(Starter Solenoid)   |

# Electrical Schematic - Ignition Shutdown

Note: Unless noted otherwise, use the standard torque specifications

Mfg. No: 2691498-01



| IGNITION SWITCH |                  |
|-----------------|------------------|
| Position        | Terminals        |
| OFF             | G - M - A1       |
| RUN             | A1 - B           |
| START           | A1 - B - S       |
| LIGHTS          | B - A1<br>L - A2 |

| X1 |   |
|----|---|
| 1  | 4 |
| 2  | 5 |
| 3  | 6 |



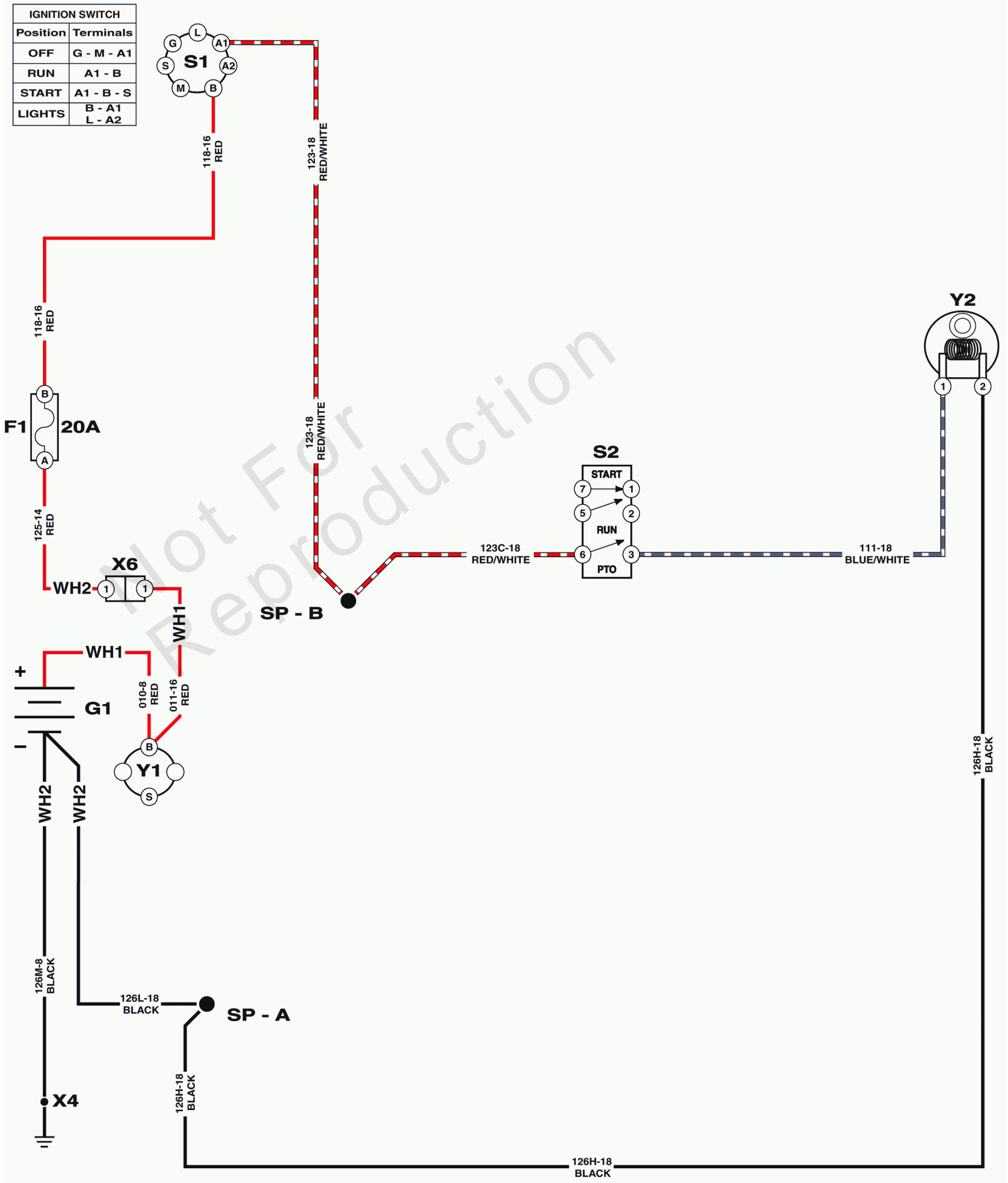
## Electrical Schematic - Ignition Shutdown

| REF NO | PART NO   | QTY | DESCRIPTION  |
|--------|-----------|-----|--|
|        | -----     |     | NOTE: All electrical components represented within this electrical schematic are at rest state (no power applied). |
| G1     | -----     | 1   | BATTERY, 12 Volt, 230 CCA  |
| S1     | 1761507YP | 1   | SWITCH, Ignition   |
| S2     | 1722887YP | 1   | SWITCH, PTO Push/Pull, Yel Knob w/Symbols, 8 Terminal  |
| S3     | 1720411SM | 1   | SWITCH, NO, Black, Push Button W/Boot<br>-(Reverse Switch)   |
| S4     | 1714771SM | 1   | SWITCH, Seat, Gray Switch, Gray Retainer   |
| S5     | 7022886YP | 1   | SWITCH, DP NO/NC SNAP<br>-(Brake Pedal Switch)   |
| S9     | 1761897YP | 1   | SWITCH, Reverse Mow Option   |
| SP-A   | -----     | 1   | SPLICE - A<br>-(Splices are internal to the wire harness.)   |
| SP-B   | -----     | 1   | SPLICE - B<br>-(Splices are internal to the wire harness.)   |
| SP-C   | -----     | 1   | SPLICE - C<br>-(Splices are internal to the wire harness.)   |
| WH2    | 1761300YP | 1   | HARNESS, Main  |
| X1     | -----     | 1   | CONNECTOR, Engine  |
| X4     | -----     | 1   | CHASSIS GROUND POINT   |

# Electrical Schematic - PTO Clutch Circuit

Note: Unless noted otherwise, use the standard torque specifications

Mfg. No: 2691498-01



## Electrical Schematic - PTO Clutch Circuit

| REF NO | PART NO   | QTY | DESCRIPTION  |
|--------|-----------|-----|--|
|        | -----     |     | NOTE: All electrical components represented within this electrical schematic are at rest state (no power applied). |
| F1     | 1731957SM | 1   | FUSE, Wiring Harness   |
| G1     | -----     | 1   | BATTERY, 12 Volt, 230 CCA  |
| S1     | 1761507YP | 1   | SWITCH, Ignition   |
| S2     | 1722887YP | 1   | SWITCH, PTO Push/Pull, Yel Knob w/Symbols, 8 Terminal  |
| SP-A   | -----     | 1   | SPLICE - A<br>-(Splices are internal to the wire harness.)   |
| SP-B   | -----     | 1   | SPLICE - B<br>-(Splices are internal to the wire harness.)   |
| WH1    | 1759779YP | 1   | HARNESS, Battery, Solenoid   |
| WH2    | 1761300YP | 1   | HARNESS, Main  |
| X4     | -----     | 1   | CHASSIS GROUND POINT   |
| X6     | -----     | 1   | CONNECTOR, Battery Solenoid Harness to Main Harness  |
| Y1     | 1755381YP | 1   | SOLENOID, L-BRACKET<br>-(Starter Solenoid)   |
| Y2     | 1760986YP | 1   | OGURA CLUTCH<br>-(PTO Clutch)  |



## Engine Group

| REF NO | PART NO        | QTY | DESCRIPTION                                       |
|--------|----------------|-----|---|
| 0010   | 44U777-0012-G1 | 1   | ENGINE - B&S TWIN                                 |
| 0030   | 1738380AYP     | 1   | HEAT SHIELD, Engine                               |
| 0040   | 703228         | 6   | SCREW, 5/16-18 X .75                              |
| 0050   | 1761064CJYP    | 1   | HEAT SHIELD                                       |
| 0060   | 1761127YP      | 1   | MUFFLER, Twin                                     |
| 0070   | 1761211CJYP    | 1   | Support, Muffler                                  |
| 0080   | 1761063CJYP    | 1   | HEAT SHIELD, Bottom                               |
| 0100   | 704130         | 7   | SCREW, HEX, 1/4-20X.5                             |
| 0120   | 1759240YP      | 1   | THROTTLE  |
| 0130   | 791850         | 2   | CLAMP, Hose                                       |
| 0140   | 845503         | 1   | LINE-FUEL   |
| 0150   | 1730268SM      | 2   | CLIP, Hose, 1/2 Dia., Push In                     |
| 0160   | 704010         | 4   | SCREW, HEX, 3/8-16                                |
| 0170   | 703864         | 1   | WASHER, EXT, 3/8                                  |
| 0190   | 1732576SM      | 1   | PULLEY & HUB ASSEMBLY, Engine                     |
| 0200   | 703586         | 1   | TIE, SELF LOCKING                                 |
| 0210   | 1760323CJYP    | 1   | CLUTCH, Anchor                                    |
| 0215   | 84002544       | 1   | Sleeve, Clutch Anchor                             |
| 0220   | 1760986YP      | 1   | OGURA CLUTCH<br>-(Position clutch as illustrated) |
| 0230   | 1708264SM      | 1   | WASHER, HEX, 0.453ID                              |
| 0240   | 1960769YP      | 2   | WASHER, Belleville                                |
| 0250   | 771023         | 1   | CAPSCREW, Hex Head, Loctite, 7/16-20 x 3 1/2      |
| 0260   | 690970         | 2   | GASKET, Exhaust                                   |
| 0275   | 810086         | 4   | NUT   |
| 0280   | 704038         | 1   | SCREW   |
| 0290   | 703333         | 1   | NUT, 3/8-16                                       |
| 0320   | 84004562       | 1   | GUIDE, Belt                                       |



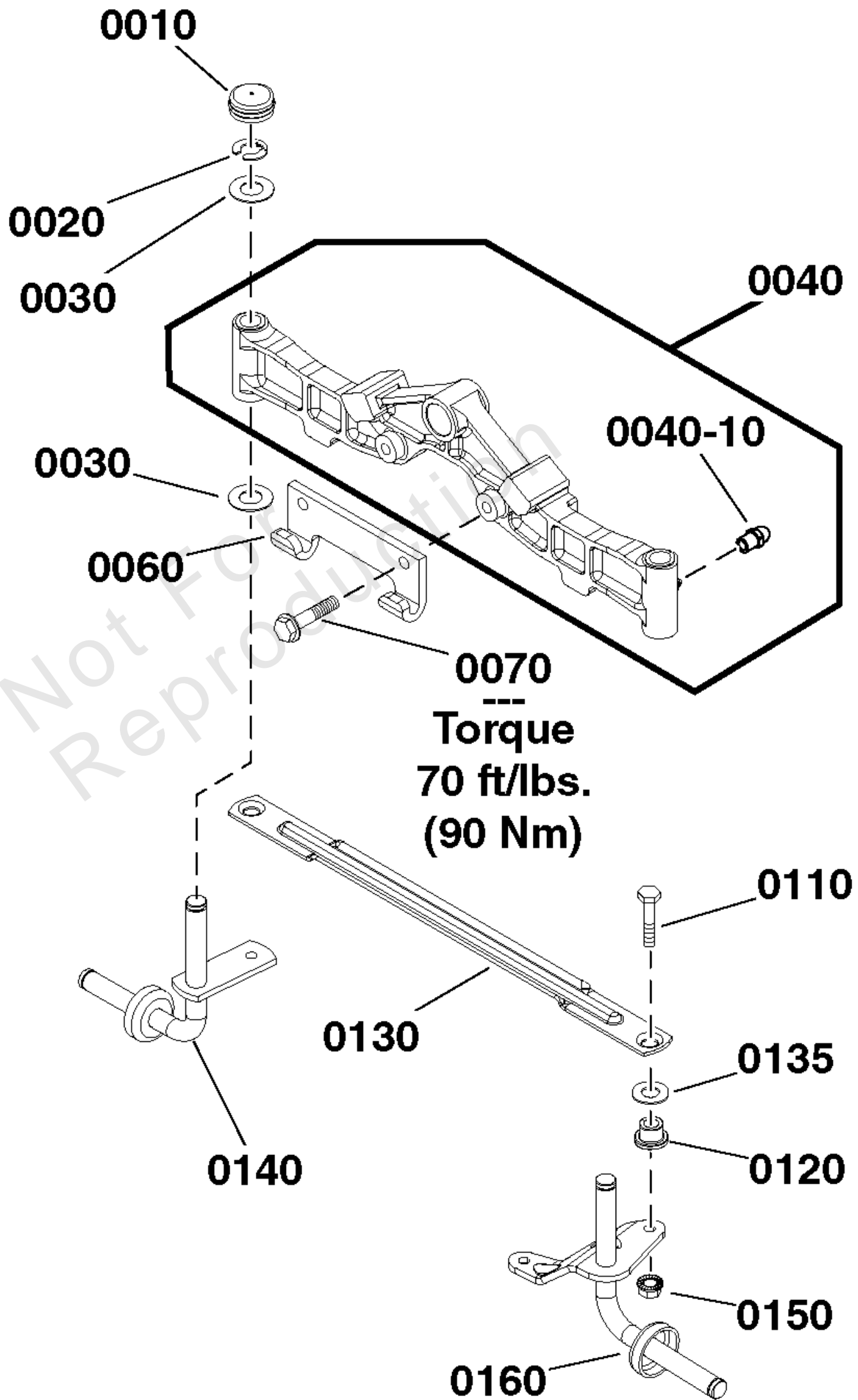
## Frame & Front Axle Group

| REF NO | PART NO     | QTY | DESCRIPTION  |
|--------|-------------|-----|--|
| 0050   | 1730186SM   | 2   | BUSHING, Axle Pivot                                |
| 0080   | 1727902SM   | 1   | PLATE, Axle Support                                |
| 0090   | 2860646SM   | 1   | NUT, Hex Flange, 5/8-11                            |
| 0100   | 703409      | 26  | NUT, 5/16-18, GR5                                  |
| 0180   | -----       | 1   | FRAME  |
| 0190   | 1759842BMYP | 1   | SUPPORT, Front Footrest, RH                        |
| 0210   | 1758690YP   | 1   | SUPPORT, Rear Frame                                |
| 0220   | 703949      | 9   | SCREW, 5/16-18.625                                 |
| 0230   | 703354      | 23  | SCREW, 5/16-18                                     |
| 0240   | 1759841BMYP | 1   | SUPPORT, Front Footrest, LH                        |
| 0280   | 1960035SM   | 1   | WASHER-0.625(0.64IDX1                              |
| 0290   | 2860744SM   | 1   | CAPSCREW, Hex Head, 5/8-11 x 3 1/4                 |
| 0300   | 1738051YP   | 1   | LINK, Drag (with Bearing), 5/16                    |
| 0320   | 1736404AYP  | 1   | PEDAL ASSY, BRAKE                                  |
| 0330   | 1735595YP   | 1   | LATCH, Brake Lock                                  |
| 0335   | 7014296YP   | 1   | WASHER, Shim                                       |
| 0340   | 703851      | 1   | BOLT, 5/16-18X1.15                                 |
| 0350   | 1727935SM   | 1   | SPACER-PIVOT 0.330ID                               |
| 0360   | 1736714AYP  | 1   | FORWARD PEDAL ASSEMBLY                             |
| 0370   | 1727246SM   | 1   | PEDAL, Reverse                                     |
| 0380   | 703446      | 2   | BOLT, 5/16-18X1.25 G5                              |
| 0390   | 1728024SM   | 1   | SPACER, Foot Pedal                                 |
| 0410   | 885591YP    | 1   | BRACKET, PEDAL PIVOT                               |
| 0420   | 1727911ASM  | 2   | PLATE, Bearing                                     |
| 0430   | 1727282ASM  | 1   | SUPPORT, Battery 12 GA                             |
| 0470   | 1737957YP   | 1   | LIFT SHAFT ASSEMBLY                                |
| 0490   | 1761009YP   | 1   | BRACKET, Sector Support                            |
| 0500   | 1751110YP   | 1   | GEAR, Steering                                     |
| 0510   | 1761011CJYP | 1   | PLATE, Sector Gear                                 |
| 0530   | 703185      | 2   | BOLT, Round Head, Short Square Neck                |
| 0540   | 1727903ASM  | 2   | SUPPORT, Transmission                              |
| 0710   | 703570      | 4   | CAPSCREW, Hex Head, 5/16-18 x 1 1/4                |
| 0720   | 1919326SM   | 4   | WASHER, 5/16                                       |
| 0730   | 704067      | 6   | NUT, HEX FLNG,5/16-18<br>-(Torque to 12-17 ft/lbs) |
| 0740   | -----       | 1   | Refer to: Front Axle Group                         |
| 1060   | 1761010YP   | 1   | SUPPORT, Steering                                  |

# Front Axle Group

Note: Unless noted otherwise, use the standard torque specifications

Mfg. No: 2691498-01





## Front Axle Group

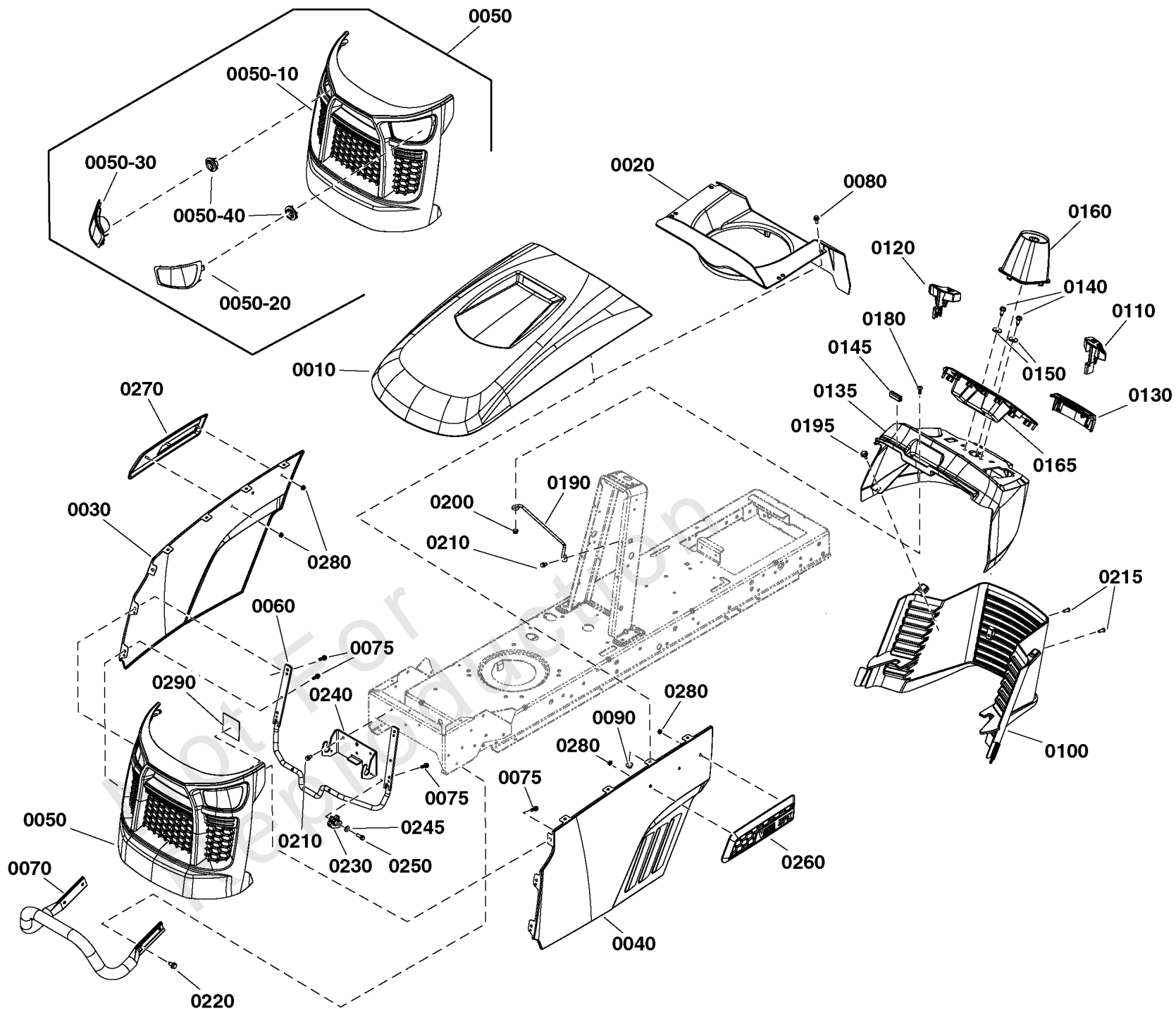
| REF NO  | PART NO    | QTY | DESCRIPTION   |
|---------|------------|-----|---|
| 0010    | 1734135SM  | 2   | CAP, Hub  |
| 0020    | 1611710SM  | 2   | E-RING, 3/4   |
| 0030    | 2860183SM  | 4   | WASHER, Flat, 3/4   |
| 0040    | 1756386YP  | 1   | AXLE, Front   |
| 0040-10 | 1704314SM  | 2   | LUBE FITTING, .250 DR<br>-( Included with Ref. No. 0040 ) |
| 0060    | 1721918ASM | 1   | HOOK, Mower, Hitch  |
| 0070    | 1960652SM  | 2   | SCREW, Hex Flange, Whiz Lock, 7/16-14 x 1-1/2             |
| 0110    | 1960032SM  | 2   | SCREW, Hex Head, 3/8-16 x 1 1/4                           |
| 0120    | 1731912SM  | 2   | BUSHING, 3/8 ID x 5/8 OD x 1/2                            |
| 0130    | 1751964YP  | 1   | TIE ROD   |
| 0135    | 1960703SM  | 2   | WASHER, 5/8   |
| 0140    | 1727872ASM | 1   | SPINDLE ASSEMBLY, R.H.                                    |
| 0150    | 703893     | 2   | NUT, CNTR LCK, 3/8-16                                     |
| 0160    | 1751922YP  | 1   | SPINDLE ASSEMBLY, L.H.                                    |

Not For Reproduction

# Hood, Grille & Dash Group

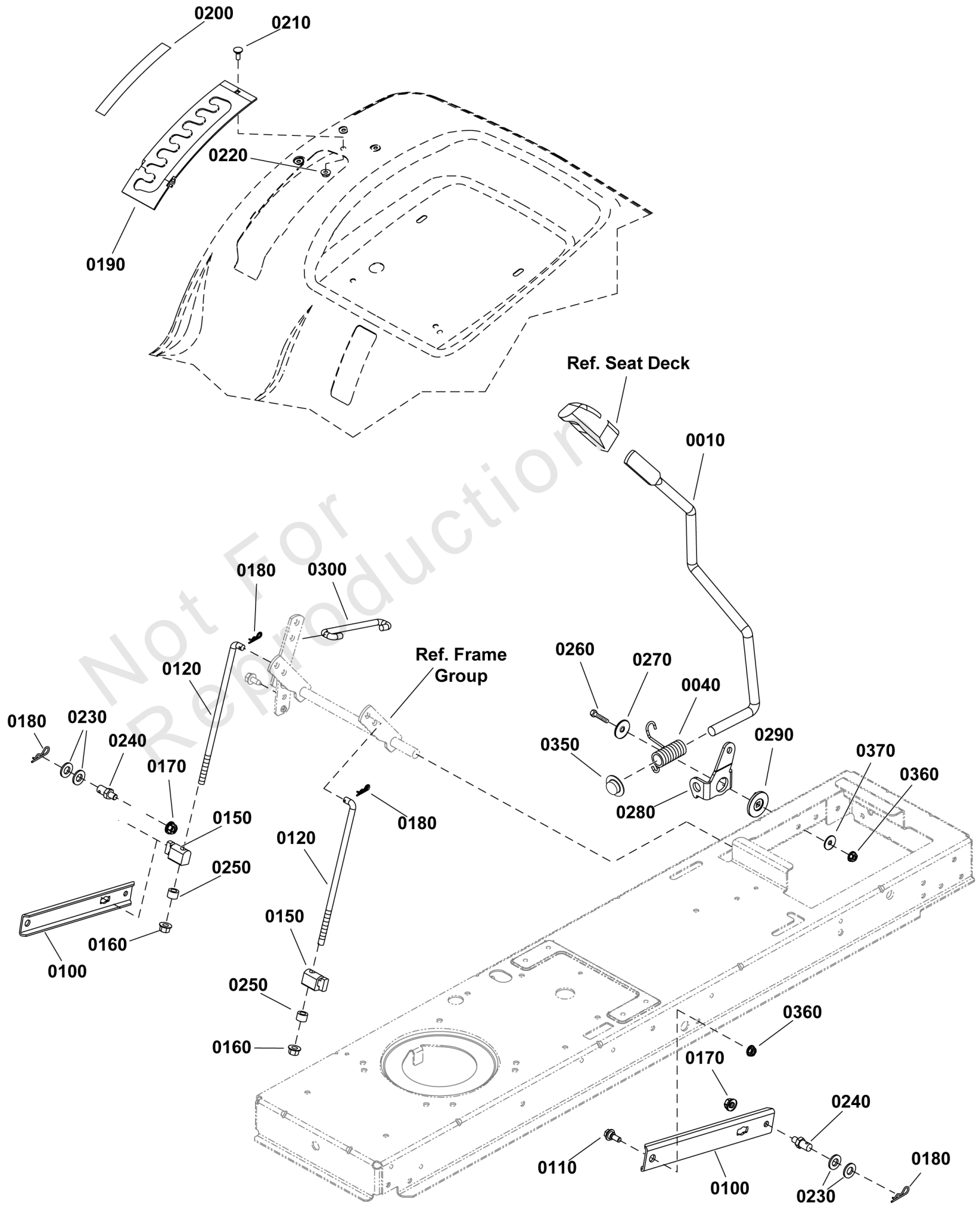
Note: Unless noted otherwise, use the standard torque specifications

Mfg. No: 2691498-01



## Hood, Grille & Dash Group

| REF NO  | PART NO     | QTY | DESCRIPTION   |
|---------|-------------|-----|---|
| 0010    | 1728031DSM  | 1   | HOOD, with Scoop  |
| 0020    | 7102326YP   | 1   | AIR DUCT, Plenum  |
| 0030    | 1761214DYP  | 1   | PANEL, Side RH  |
| 0040    | 1761215DYP  | 1   | PANEL, Side, LH   |
| 0050    | 1761263YP   | 1   | GRILLE<br>-(Incl. Ref. Nos. 0050-10, 0050-20, 0050-30 & 0050-40)    |
| 0050-10 | 1761175YP   | 1   | GRILLE, Front<br>-(Included with Ref. No. 0050)                     |
| 0050-20 | 1761333YP   | 1   | HEADLIGHT, LH<br>-(Included with Ref. No. 0050)                     |
| 0050-30 | 1761334YP   | 1   | HEADLIGHT, RH<br>-(Included with Ref. No. 0050)                     |
| 0050-40 | 1760239YP   | 2   | LED HEADLIGHT AND SOCKET ASSEMBLY<br>-(Included with Ref. No. 0050) |
| 0060    | 1761070YP   | 1   | ROD, Hood Hinge   |
| 0075    | 706369      | 6   | SCREW, Hex Washer Head, 1/4-10 x 3/4                                |
| 0080    | 1960295SM   | 8   | CAPSCREW, Hex Flange, Whiz Lock, 1/4-20 x 5/8                       |
| 0090    | 703161      | 8   | NUT   |
| 0100    | 1761508YP   | 1   | LOWER DASH ASSEMBLY   |
| 0110    | 1761401YP   | 1   | KNOB, Parking Brake   |
| 0120    | 1761402YP   | 1   | KNOB, Cruise  |
| 0130    | 84002395    | 1   | TRIM  |
| 0135    | 1761253YP   | 1   | DASH, Upper   |
| 0140    | 703228      | 2   | SCREW, 5/16-18 X .75  |
| 0145    | 1761773YP   | 2   | EDGING, Rubber  |
| 0150    | 703298      | 2   | WASHER, 5/16  |
| 0160    | 1761399YP   | 1   | COVER, Steering Shaft   |
| 0165    | 1761464YP   | 1   | DASH BEZEL  |
| 0180    | 770135      | 1   | SCREW   |
| 0190    | 1761481YP   | 1   | ROD, Dash Support   |
| 0195    | 2860664SM   | 2   | SCREW, HEX SEMS WSHR,   |
| 0200    | 703463      | 1   | NUT, GR5, 1/4-20  |
| 0210    | 704130      | 4   | SCREW, HEX, 1/4-20X.5   |
| 0215    | 1960556SM   | 2   | SCREW, Pan Head Torx, Taptite, 1/4-20 x 3/4                         |
| 0230    | 1761068YP   | 2   | CLIP, Hood Hinge  |
| 0240    | 1761212CJYP | 1   | BRACKET, Hood Hinge   |
| 0245    | 703332      | 2   | WASHER  |
| 0250    | 703466      | 2   | BOLT, GR5, 1/4X.0750  |
| 0260    | 84002397    | 1   | BADGE, Victa, LH  |
| 0270    | 84002398    | 1   | BADGE, Victa, RH  |
| 0280    | 189164GS    | 4   | PALNUT, 3/16  |
| 0290    | 1761818YP   | 1   | INSULATION, Thermal   |



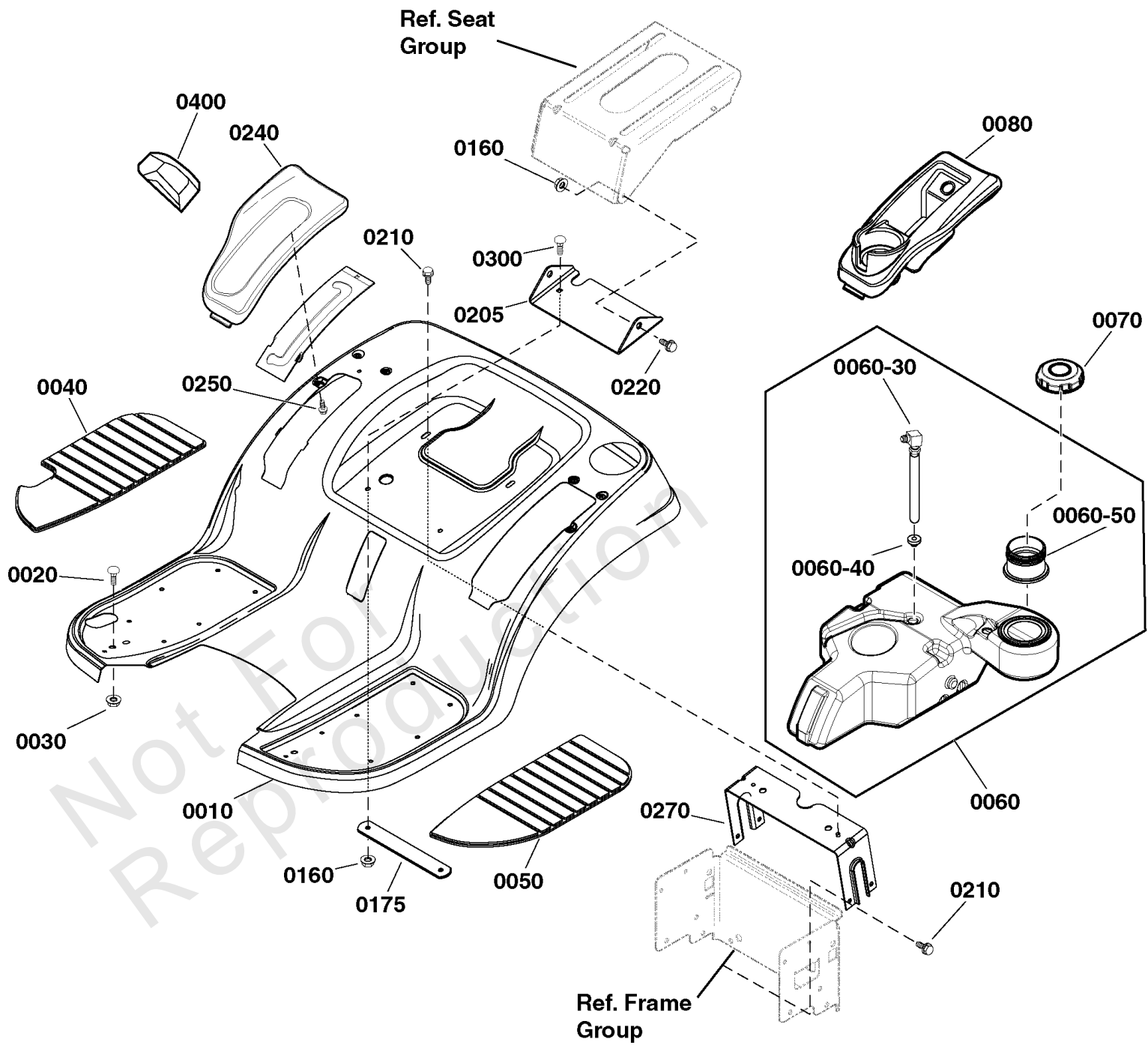
## Lift Group - Manual

| REF NO | PART NO     | QTY | DESCRIPTION                   |
|--------|-------------|-----|-------------------------------|
| 0010   | 1728070SM   | 1   | ROD, Lift Handle, 17.7        |
| 0040   | 1729652SM   | 1   | SPRING, Torsion               |
| 0100   | 1758146BMYP | 2   | ARM, Rear Lift                |
| 0110   | 1732426SM   | 2   | BOLT-SHLDR 5/16-18 0.         |
| 0120   | 1727955SM   | 2   | ROD, Lower Lift, 10.00 LG     |
| 0150   | 1731894SM   | 2   | TRUNNION                      |
| 0160   | 1960687SM   | 2   | NUT, Hex Flange, ESNA, 3/8-16 |
| 0170   | 1931211SM   | 2   | NUT, Hex, Flange Lock, 3/8-16 |
| 0180   | 1960074SM   | 4   | CLIP, HAIR PIN .093DI         |
| 0190   | 1727985SM   | 1   | QUADRANT, Lift Height         |
| 0200   | 1730264SM   | 1   | DECAL, Height Of Cut          |
| 0210   | 1960252SM   | 1   | BOLT-RD HD SH SQ NK 1         |
| 0220   | 1930641SM   | 1   | NUT, Hex Flange Whiz, 1/4-20  |
| 0230   | 1960170SM   | 2   | WASHER, 1/2                   |
| 0240   | 094067MA    | 2   | PIN, Threaded Shoulder        |
| 0250   | 1666294SM   | 2   | SPACER                        |
| 0260   | 84003606    | 1   | SCREW                         |
| 0270   | 1933468SM   | 1   | WASHER, 5/16 x 1-1/4 OD       |
| 0280   | 1728990ASM  | 1   | CLEVIS, Lift                  |
| 0290   | 1727935SM   | 1   | SPACER-PIVOT 0.330ID          |
| 0300   | 1727954SM   | 1   | ROD, Lift, 5.43 LG            |
| 0350   | 771009      | 1   | PUSHNUT, 5/8                  |
| 0360   | 703115      | 3   | NUT                           |
| 0370   | 703298      | 1   | WASHER, 5/16                  |

# Seat Deck & Fuel Tank Group

Note: Unless noted otherwise, use the standard torque specifications

Mfg. No: 2691498-01



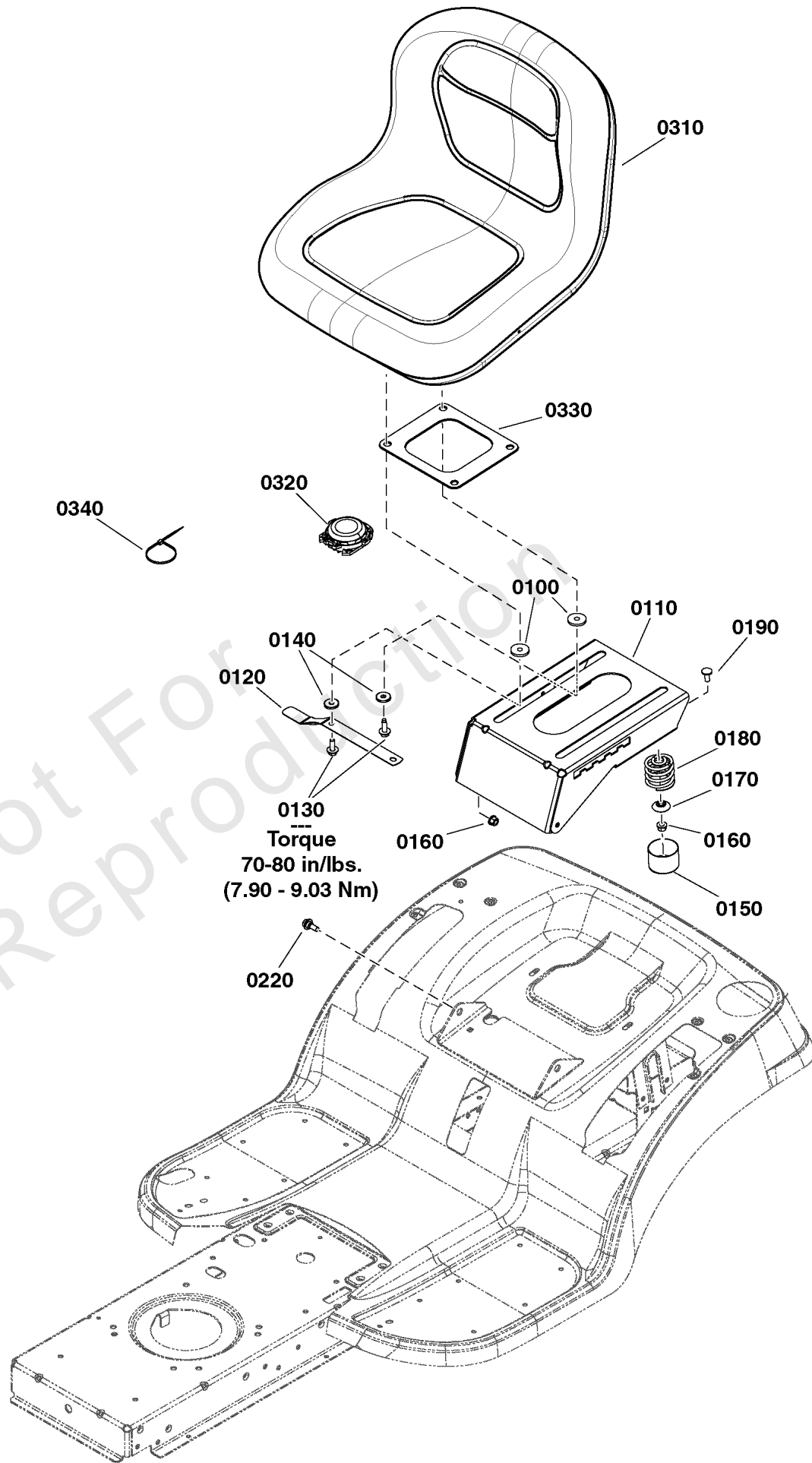
## Seat Deck & Fuel Tank Group

| REF NO  | PART NO     | QTY | DESCRIPTION   |
|---------|-------------|-----|---|
| 0010    | 1727264DSM  | 1   | SEAT DECK   |
| 0020    | 703185      | 2   | BOLT, Round Head, Short Square Neck   |
| 0030    | 703409      | 2   | NUT, 5/16-18, GR5   |
| 0040    | 1728007SM   | 1   | PAD, Footrest, R.H.   |
| 0050    | 1728006SM   | 1   | PAD, Footrest, L.H.   |
| 0060    | 1738932YP   | 1   | TANK, Fuel (Without Sender)<br>-(Incl. Ref. Nos 0060-30, 0060-40 & 0060-50) |
| 0060-30 | 1736609YP   | 1   | FITTING & HOSE ASSEMBLY, Fuel Tank  |
| 0060-40 | 1654930SM   | 1   | BUSHING, Fuel Tank  |
| 0060-50 | 1751624YP   | 1   | NECK, Fuel Filler (Not Shown)   |
| 0070    | 5101651SM   | 1   | CAP, FUEL, VENTED   |
| 0080    | 1739535YP   | 1   | POD, L.H.   |
| 0160    | 703115      | 2   | NUT   |
| 0175    | 1759177CJYP | 1   | BRACKET, Support, Seat Pivot  |
| 0205    | 1757755BMYP | 1   | SUPPORT, Seat Pivot   |
| 0210    | 703949      | 6   | SCREW, 5/16-18.625  |
| 0220    | 703851      | 2   | BOLT, 5/16-18X1.15  |
| 0240    | 1739537YP   | 1   | POD, R.H.   |
| 0250    | 1960536SM   | 6   | SCREW, HEX WSHR HD PL   |
| 0270    | 1731310SM   | 1   | SUPPORT, Seat Deck  |
| 0300    | 704065      | 2   | BOLT, 5/16-18X.875  |
| 0400    | 1722302SM   | 1   | GRIP  |

# Seat Group

Note: Unless noted otherwise, use the standard torque specifications

Mfg. No: 2691498-01





## Seat Group

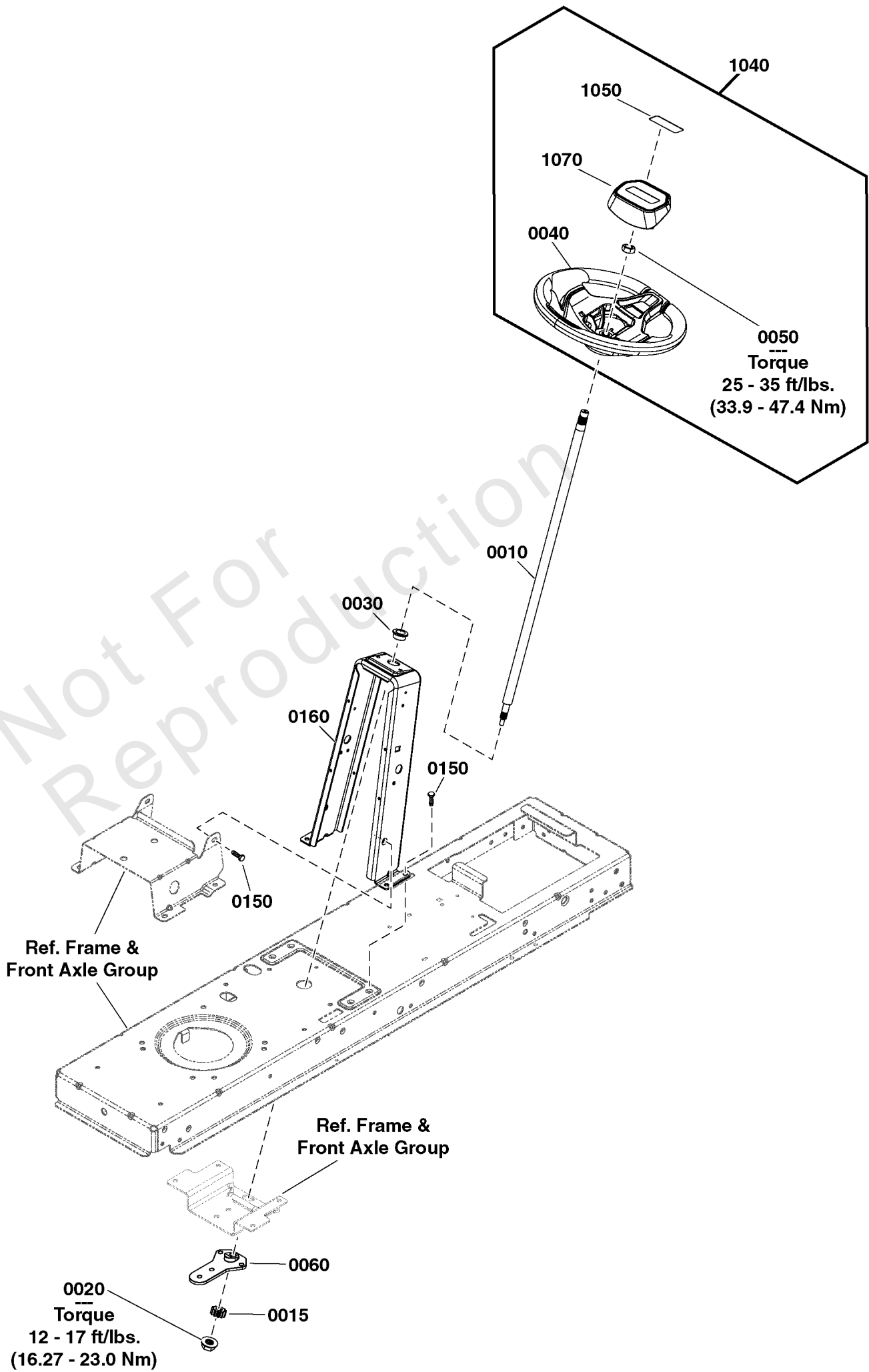
| REF NO | PART NO     | QTY | DESCRIPTION                                     |
|--------|-------------|-----|---|
| 0100   | 1731300SM   | 4   | SPACER, 5/16 ID x 1-1/4 OD x 5/16"              |
| 0110   | 1755767BMYP | 1   | SUPPORT, Seat                                   |
| 0120   | 1727268BMYP | 1   | LATCH, Seat                                     |
| 0130   | 1930595SM   | 4   | CAPSCREW, Hex Head Flange Lock, 5/16-18 x 1-1/4 |
| 0140   | 703298      | 4   | WASHER, 5/16                                    |
| 0150   | 1704724SM   | 2   | COVER, Spring, 1-1/2"                           |
| 0160   | 703115      | 4   | NUT   |
| 0170   | 1709256SM   | 2   | WASHER, Spring, 5/16 x 1 1/4                    |
| 0180   | 1704728SM   | 2   | SPRING, Compression, 2"                         |
| 0190   | 703225      | 2   | BOLT  |
| 0220   | 703851      | 2   | BOLT, 5/16-18X1.15                              |
| 0310   | 1761589YP   | 1   | SEAT  |
| 0320   | 1714771SM   | 1   | SWITCH, Seat, Gray Switch, Gray Retainer        |
| 0330   | 1739571AYP  | 1   | SPACER, Plate                                   |
| 0340   | 703586      | 1   | TIE, SELF LOCKING                               |

Not For Reproduction

# Steering Group

Note: Unless noted otherwise, use the standard torque specifications

Mfg. No: 2691498-01



## Steering Group

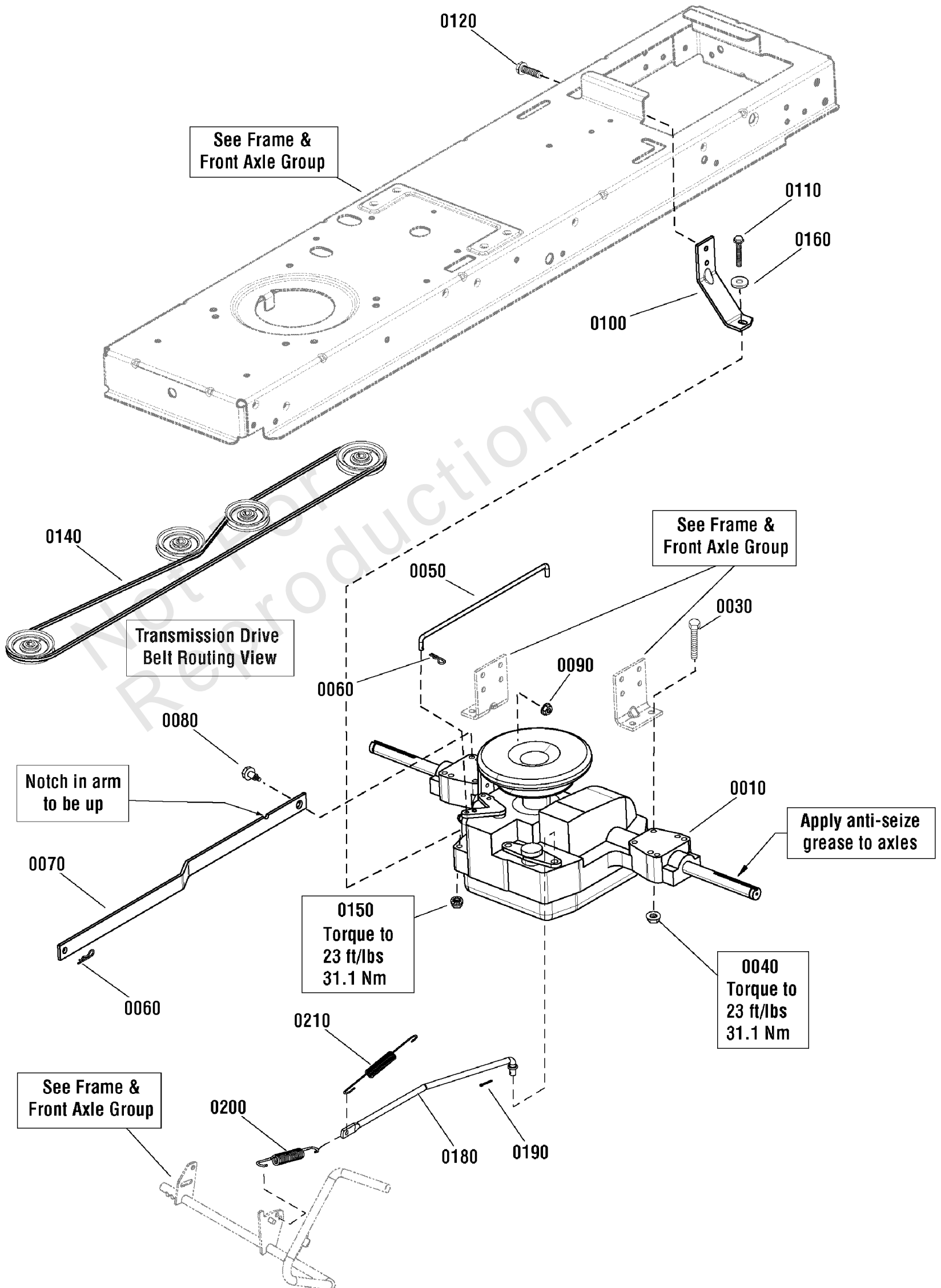
| REF NO | PART NO     | QTY | DESCRIPTION   |
|--------|-------------|-----|---|
| 0010   | 1761012YP   | 1   | SHAFT, Steering   |
| 0015   | 1761013YP   | 1   | GEAR, Pinion  |
| 0020   | 704067      | 1   | NUT, HEX FLNG,5/16-18   |
| 0030   | 1729665SM   | 1   | BUSHING, Steering, 3/4 ID   |
| 1040   | 84001122    | 1   | KIT, Steering Wheel, Simplicity<br>-( Incl. Ref. Nos. 0040, 0050, 1050 & 1070 ) |
| 0040   | -----       | 1   | STEERING WHEEL  |
| 0050   | 1960576SM   | 1   | NUT, Hex Lock, ESNA Light, 5/8-18   |
| 1050   | 84003543    | 1   | DECAL, Victa Logo   |
| 1070   | 84002250    | 1   | CAP, Steering Wheel   |
| 0060   | 1761010YP   | 1   | SUPPORT, Steering   |
| 0150   | 703949      | 6   | SCREW, 5/16-18.625  |
| 0160   | 1761498CJYP | 1   | TOWER, Steering   |

Not For Reproduction

# Transmission Group - Tuff Torq K46BP

Note: Unless noted otherwise, use the standard torque specifications

Mfg. No: 2691498-01



## Transmission Group - Tuff Torq K46BP

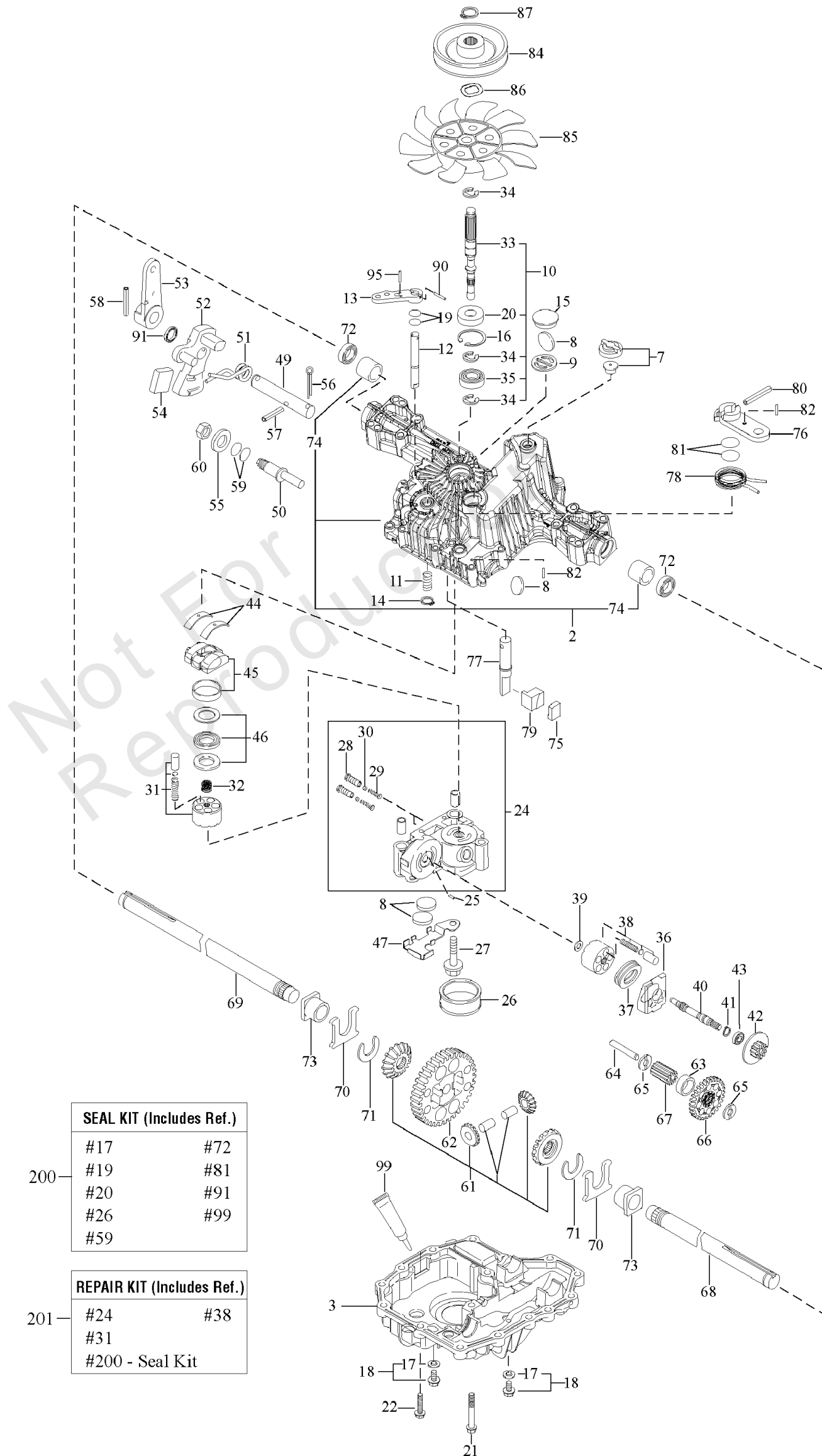
| REF NO | PART NO     | QTY | DESCRIPTION                                      |
|--------|-------------|-----|--|
| 0010   | 1761324YP   | 1   | TRANSMISSION ASSEMBLY, Tuff Torque, K46BP        |
| 0030   | 1960586SM   | 4   | CAPSCREW, Hex Flange, Whiz Lock, 5/16-18 x 2-1/2 |
| 0040   | 703409      | 4   | NUT, 5/16-18, GR5                                |
| 0050   | 1728120SM   | 1   | ROD, Bypass, 1/4 x 11 7/16                       |
| 0060   | 1722460SM   | 2   | PIN, Hair  |
| 0070   | 1727258SM   | 1   | ARM, Control, 23.69" Lg                          |
| 0080   | 1732426SM   | 1   | BOLT-SHLDR 5/16-18 0.                            |
| 0090   | 1935048SM   | 1   | NUT, Hex Flange, Two Way Lock, 5/16-18           |
| 0100   | 1754842BMYP | 1   | STRAP, Torque 7 GA                               |
| 0110   | 1922127SM   | 1   | SCREW, Hex Head Cap, 5/16-18 x 1 3/4             |
| 0120   | 703228      | 1   | SCREW, 5/16-18 X .75                             |
| 0140   | 1728008SM   | 1   | V-BELT, HA, 89-1/4" Long                         |
| 0150   | 703115      | 1   | NUT  |
| 0160   | 703298      | 1   | WASHER, 5/16                                     |
| 0180   | 1727253SM   | 1   | ROD, Brake, 3/8 Dia. x 15-1/8 Long               |
| 0190   | 703312      | 1   | PIN, COTTER, 3/32X.75                            |
| 0200   | 1731262SM   | 1   | SPRING, Extension, 11/16 x 3-3/8                 |
| 0210   | 1721995SM   | 1   | SPRING, Extension, 5/8 x 6-5/8                   |

Not For Reproduction

# Transmission SERVICE PARTS - Tuff Torq K46BP (1729588)

Note: Unless noted otherwise, use the standard torque specifications

Mfg. No: 2691498-01



| SEAL KIT (Includes Ref.) |     |
|--------------------------|-----|
| #17                      | #72 |
| #19                      | #81 |
| #20                      | #91 |
| #26                      | #99 |
| #59                      |     |

200

| REPAIR KIT (Includes Ref.) |     |
|----------------------------|-----|
| #24                        | #38 |
| #31                        |     |
| #200 - Seal Kit            |     |

201

## Transmission SERVICE PARTS - Tuff Torq K46BP (1729588)

| REF NO | PART NO   | QTY | DESCRIPTION                               |
|--------|-----------|-----|---|
| 1      | 1729588SM |     | TRANSMISSION ASSEMBLY, Tuff Torque, K46BP |
| 2      | -----     |     | *KIT, Upper Case                          |
| 3      | -----     |     | *LOWER CASE                               |
| 7      | 1718052SM |     | VENT VALVE 15                             |
| 8      | 1724279SM |     | MAGNET                                    |
| 9      | -----     |     | *MAGNET HOLDER                            |
| 10     | -----     |     | *PUMP SHAFT/BEARING KIT                   |
| 11     | -----     |     | SPRING 25                                 |
| 12     | 1724281SM |     | BYPASS SHAFT A                            |
| 13     | 1720418SM |     | LEVER, Bypass                             |
| 14     | 1718061SM |     | RING, Snap, 10                            |
| 15     | 1724282SM |     | SEALING CAP, 30                           |
| 16     | 1708650SM |     | RING, Snap, C 35                          |
| 17     | 1724323YP |     | SEAL WASHER, 8                            |
| 18     | -----     |     | KIT, Drain Bolt                           |
| 21     | -----     |     | SCREW, Tapping, 8 * 55                    |
| 22     | 1707789SM |     | SCREW, Tapping, 8 * 30                    |
| 24     | -----     |     | CENTER CASE E W/BALL IDS SERVICE KIT      |
| 25     | 1718070SM |     | PIN, 3 * 9.8                              |
| 26     | -----     |     | FILTER 105                                |
| 27     | 1720805SM |     | BOLT, 10 * 75                             |
| 28     | -----     |     | IDS VALVE 1.0                             |
| 29     | 1724287SM |     | IDS SPRING                                |
| 30     | -----     |     | BALL, 3/16                                |
| 31     | -----     |     | KIT, Cylinder Block (Pump)                |
| 32     | 1724290SM |     | SPRING                                    |
| 33     | 1739892YP |     | PUMP SHAFT                                |
| 34     | 1718076SM |     | E-RING, 15                                |
| 35     | 1708673SM |     | BEARING, 6202C3                           |
| 36     | 1718077SM |     | MOTOR HOUSING                             |
| 37     | -----     |     | THRUST BEARING 51106                      |
| 38     | 1718079SM |     | KIT, Cylinder Block                       |
| 39     | 1718084SM |     | WASHER, 12 * 24 * 1                       |
| 40     | 1724943SM |     | MOTOR SHAFT                               |
| 41     | 1708672SM |     | RING, Snap, S15                           |
| 42     | 1724294SM |     | BRAKE DISC/MOTOR GEAR (11T)               |
| 43     | -----     |     | BEARING, 6202 RSR C3                      |
| 44     | 1718089SM |     | THRUST METAL                              |
| 45     | -----     |     | SWASH PLATE CMP                           |
| 46     | 1718086SM |     | THRUST BEARING K81105                     |
| 49     | -----     |     | CONTROL SHAFT                             |
| 50     | -----     |     | FULCRUM                                   |
| 51     | -----     |     | SPRING, Torsion                           |
| 52     | -----     |     | CONTROL ARM A                             |
| 53     | 1724347SM |     | CONTROL LEVER C                           |
| 54     | -----     |     | JERKY PLATE                               |
| 55     | 1708689SM |     | WASHER, 12                                |
| 56     | 1724349SM |     | COTTER PIN, 1/8 * 3/4                     |

### Footnotes:

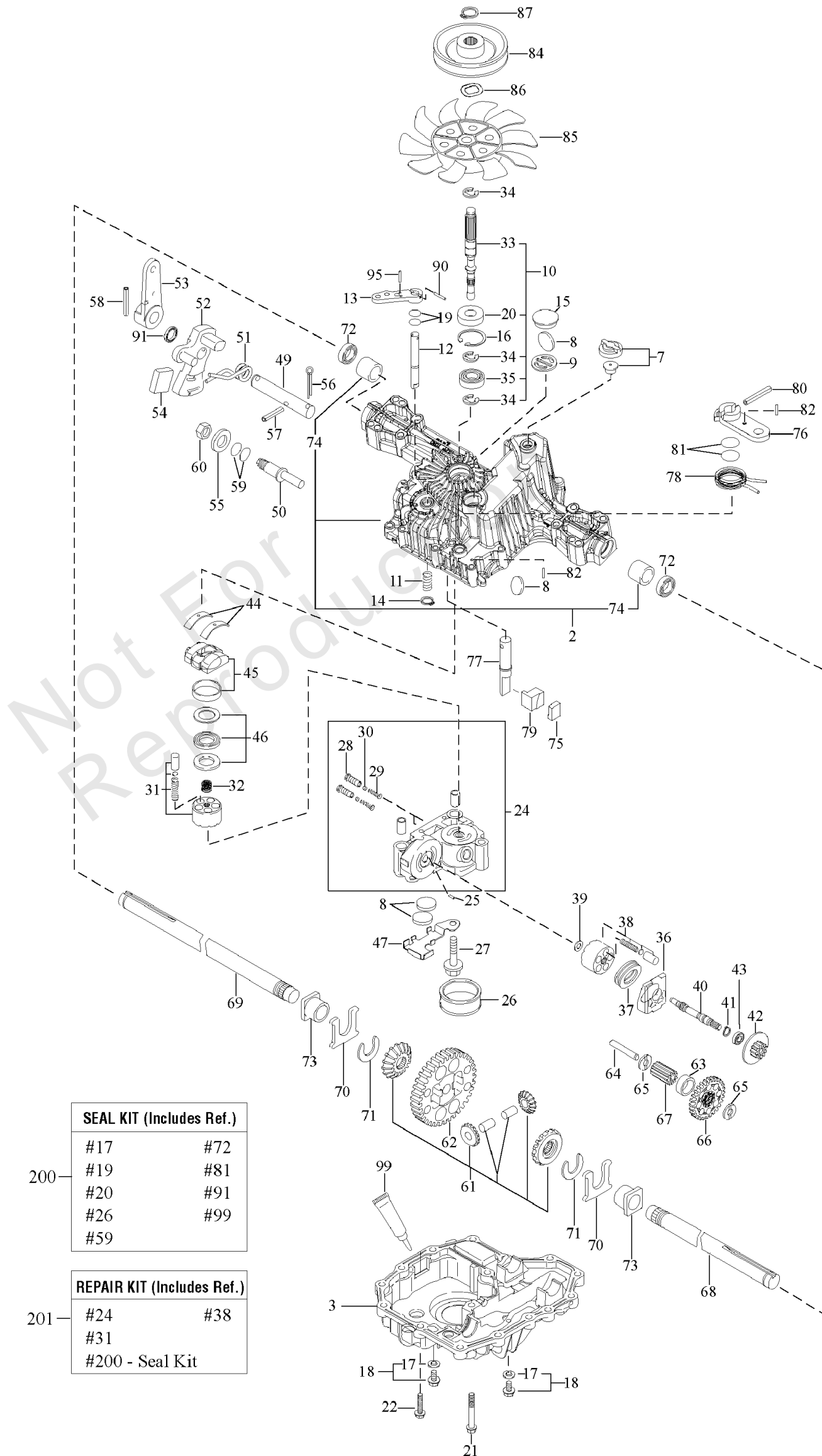
Note\* See your local authorized dealership for Tuff Torq parts and warranty or contact Tuff Torq at [www.tufftorqservices.com](http://www.tufftorqservices.com) (1-866-572-3441 US only / 01-423-585-1977)

Note\* See your local authorized dealership for Tuff Torq parts and warranty or contact Tuff Torq at [www.tufftorqservices.com](http://www.tufftorqservices.com) (U.S. 1-866-572-3441 / Int'l: 01-423-585-1977)

# Transmission SERVICE PARTS - Tuff Torq K46BP (1729588)

Note: Unless noted otherwise, use the standard torque specifications

Mfg. No: 2691498-01



| SEAL KIT (Includes Ref.) |     |
|--------------------------|-----|
| #17                      | #72 |
| #19                      | #81 |
| #20                      | #91 |
| #26                      | #99 |
| #59                      |     |

200

| REPAIR KIT (Includes Ref.) |     |
|----------------------------|-----|
| #24                        | #38 |
| #31                        |     |
| #200 - Seal Kit            |     |

201



## Transmission SERVICE PARTS - Tuff Torq K46BP (1729588)

| REF NO | PART NO   | QTY | DESCRIPTION   |
|--------|-----------|-----|---|
| 57     | 1724296SM |     | SPRING PIN 6 * 36   |
| 58     | 1718100SM |     | ROLL PIN 6 * 40   |
| 60     | 1708692SM |     | NUT 12  |
| 61     | -----     |     | *KIT, Differential Gear   |
| 62     | -----     |     | *FINAL GEAR (54T)   |
| 63     | -----     |     | *FINAL PINION COLLAR  |
| 64     | -----     |     | *REDUCTION SHAFT  |
| 65     | 1724948SM |     | WASHER, 12 * 32 * 3.2   |
| 66     | -----     |     | *REDUCTION GEAR (37T)   |
| 67     | -----     |     | *FINAL PINION GEAR (10T)  |
| 68     | 1724303SM |     | AXLE SHAFT, Left  |
| 69     | 1724304SM |     | AXLE SHAFT, Right   |
| 70     | -----     |     | *THRUST WASHER  |
| 71     | 1718113SM |     | RING, 17  |
| 72     | 1718111SM |     | SEAL, 19 * 32 * 8<br>-( For this part only contact B&S Tech support ) |
| 73     | 1718110SM |     | BUSHING, 19 * 25  |
| 74     | -----     |     | *BUSHING, 19.05   |
| 75     | 1724305SM |     | BRAKE SHOE  |
| 76     | 1724306SM |     | BRAKE LEVER   |
| 77     | -----     |     | *BRAKE SHAFT  |
| 78     | -----     |     | *BRAKE RETURN SPRING  |
| 79     | 1724309SM |     | BRAKE ACTUATOR  |
| 80     | 1724310SM |     | SPRING PIN, 5 * 32  |
| 82     | 1724311SM |     | SPRING PIN 4 * 16   |
| 84     | 1732918SM |     | PULLEY D  |
| 85     | 1724314SM |     | FAN, White  |
| 86     | 1724315SM |     | WASHER, Wave  |
| 87     | 1724316SM |     | RING, Snap  |
| 90     | -----     |     | *SPRING PIN 3.0A * 20   |
| 95     | -----     |     | *SPRING PIN 3.0A * 16   |
| 99     | -----     |     | *SEALANT  |
| 200    | 1727541YP |     | K46 & T40 SEAL KIT  |
| 201    | -----     |     | *REPAIR KIT K46   |

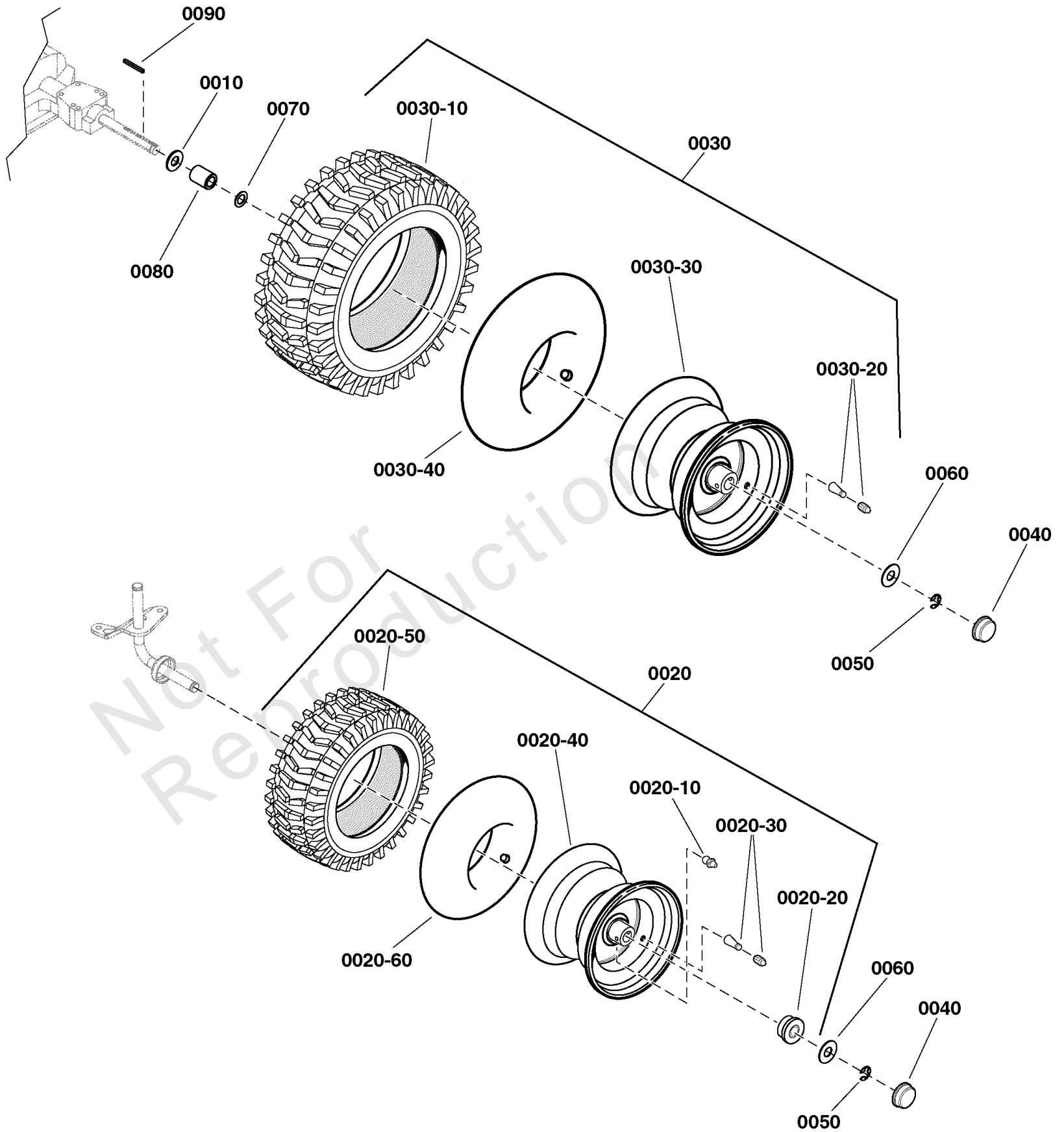
### Footnotes:

Note\* See your local authorized dealership for Tuff Torq parts and warranty or contact Tuff Torq at [www.tufftorqservices.com](http://www.tufftorqservices.com) (1-866-572-3441 US only / 01-423-585-1977)  
 Note\* See your local authorized dealership for Tuff Torq parts and warranty or contact Tuff Torq at [www.tufftorqservices.com](http://www.tufftorqservices.com) (U.S. 1-866-572-3441 / Int'l: 01-423-585-1977)

# Wheels & Tires

Note: Unless noted otherwise, use the standard torque specifications

Mfg. No: 2691498-01



## Wheels & Tires

| REF NO  | PART NO   | QTY | DESCRIPTION                              |
|---------|-----------|-----|--|
| 0010    | 2860202SM | 1   | WASHER, 3/4 x 1-5/8 OD x 1/8 Thick       |
| 0020    | 1761503YP | 1   | WHEEL AND TIRE ASSEMBLY, Front, 15 x 6-6 |
| 0020-10 | 84003425  | 1   | ZERK, Grease Fitting                     |
| 0020-20 | 84003424  | 1   | BEARING, Ball                            |
| 0020-30 | 2172353SM | 1   | VALVE STEM & CAP                         |
| 0020-40 | -----     | 1   | Rim<br>-(Refer to Note: *)               |
| 0020-50 | 7101556YP | 1   | TIRE, 15 x 6 2 Ply K358                  |
| 0020-60 | 1664090SM | 1   | TUBE, Tire, Front                        |
| 0030    | 7101563YP | 1   | ASSY, WHEEL & TIRE                       |
| 0030-10 | 7101562YP | 2   | TIRE, 20 x 10-8, 2 Ply K358              |
| 0030-20 | 2172353SM | 1   | VALVE STEM & CAP                         |
| 0030-30 | -----     | 1   | RIM<br>-(Refer to Note: *)               |
| 0030-40 | 2164247SM |     | TUBE, Tire, Rear                         |
| 0040    | 094618MA  | 4   | HUB CAP                                  |
| 0050    | 2827794SM | 4   | KLIPRING, .75 Dia Shaft                  |
| 0060    | 17X195MA  | 4   | WASHER, Flat 1-3/4                       |
| 0070    | 17X160MA  | 2   | WASHER, Flat, 3/4 x 1-1/4 x 16           |
| 0080    | 1730181SM | 2   | SPACER, 3/4 ID x 1-1/4 OD x 1-5/8        |
| 0090    | 021553MA  | 2   | KEY, Square, 3/16                        |

Not For  
Reproduction

---

**Footnotes:**

Note\* Not a serviceable part, service wheel complete

# Hardware Identification & Torque Specifications

| Torque Specification Chart                             |           |      |           |      |            |      |            |      |
|--|-----------|------|-----------|------|------------|------|------------|------|
| FOR STANDARD METRIC MACHINE HARDWARE (Tolerance ± 20%) |           |      |           |      |            |      |            |      |
| Property Class   | 5.6       |      | 8.8       |      | 10.9       |      | 12.9       |      |
|  | Class 5.6 |      | Class 8.8 |      | Class 10.9 |      | Class 12.9 |      |
| Size Of Hardware                                       | in/lbs    | Nm.  | in/lbs    | Nm.  | in/lbs     | Nm.  | in/lbs     | Nm.  |
|  | ft/lbs    |      | ft/lbs    |      | ft/lbs     |      | ft/lbs     |      |
| M3   | 5.88      | .56  | 13.44     | 1.28 | 19.2       | 1.80 | 22.92      | 2.15 |
| M4   | 13.44     | 1.28 | 30.72     | 2.90 | 43.44      | 4.10 | 52.56      | 4.95 |
| M5   | 26.4      | 2.50 | 60.96     | 5.75 | 5.97       | 8.10 | 7.15       | 9.7  |
| M6   | 44.64     | 4.3  | 7.3       | 9.9  | 10.3       | 14   | 12.1       | 16.5 |
| M7   | 5.2       | 7.1  | 12.1      | 16.5 | 16.9       | 23   | 19.9       | 27   |
| M8   | 7.7       | 10.5 | 17.7      | 24   | 25         | 34   | 29         | 40   |
| M10  | 15        | 21   | 35        | 48   | 50         | 67   | 59         | 81   |
| M12  | 26        | 36   | 61        | 83   | 86.2       | 117  | 103        | 140  |
| M14  | 42        | 58   | 101       | 132  | 136        | 185  | 162        | 220  |
| M16  | 64        | 88   | 147       | 200  | 210        | 285  | 250        | 340  |
| M18  | 89        | 121  | 202       | 275  | 287        | 390  | 346        | 470  |
| M20  | 126       | 171  | 290       | 390  | 405        | 550  | 486        | 660  |
| M22  | 169       | 230  | 390       | 530  | 559        | 745  | 656        | 890  |
| M24  | 217       | 295  | 497       | 375  | 708        | 960  | 840        | 1140 |
| M27  | 320       | 435  | 733       | 995  | 1032       | 1400 | 1239       | 1680 |
| M30  | 435       | 590  | 995       | 1350 | 1401       | 1900 | 1681       | 2280 |
| M33  | 590       | 800  | 1349      | 1830 | 1902       | 2580 | 2278       | 3090 |
| M36  | 759       | 1030 | 1740      | 2360 | 2441       | 3310 | 2935       | 3980 |
| M39  | 988       | 1340 | 2249      | 3050 | 3163       | 4290 | 3798       | 5150 |

| Torque Specification Chart                      |             |       |             |       |             |         |
|---|-------------|-------|-------------|-------|-------------|---------|
| FOR STANDARD MACHINE HARDWARE (Tolerance ± 20%) |             |       |             |       |             |         |
| Hardware Grade                                  | No Marks    |       | SAE Grade 5 |       | SAE Grade 8 |         |
|   | SAE Grade 2 |       | SAE Grade 5 |       | SAE Grade 8 |         |
| Size Of Hardware                                | in/lbs      | Nm.   | in/lbs      | Nm.   | in/lbs      | Nm.     |
|   | ft/lbs      |       | ft/lbs      |       | ft/lbs      |         |
| 8-32  | 19          | 2.1   | 30          | 3.4   | 41          | 4.6     |
| 8-36  | 20          | 2.3   | 31          | 3.5   | 43          | 4.9     |
| 10-24   | 27          | 3.1   | 43          | 4.9   | 60          | 6.8     |
| 10-32   | 31          | 3.5   | 49          | 5.5   | 68          | 7.7     |
| 1/4-20  | 66          | 7.6   | 8           | 10.9  | 12          | 16.3    |
| 1/4-28  | 76          | 8.6   | 10          | 13.6  | 14          | 19.0    |
| 5/16-18   | 11          | 15.0  | 17          | 23.1  | 25          | 34.0    |
| 5/16-24   | 12          | 16.3  | 19          | 25.8  | 29          | 34.0    |
| 3/8-16  | 20          | 27.2  | 30          | 40.8  | 45          | 61.2    |
| 3/8-24  | 23          | 31.3  | 35          | 47.6  | 50          | 68.0    |
| 7/16-14   | 30          | 40.8  | 50          | 68.0  | 70          | 95.2    |
| 7/16-20   | 35          | 47.6  | 55          | 74.8  | 80          | 108.8   |
| 1/2-13  | 50          | 68.0  | 75          | 102.0 | 110         | 149.6   |
| 1/2-20  | 55          | 74.8  | 90          | 122.4 | 120         | 163.2   |
| 9/16-12   | 65          | 88.4  | 110         | 149.6 | 150         | 204.0   |
| 9/16-18   | 75          | 102.0 | 120         | 163.2 | 170         | 231.2   |
| 5/8-11  | 90          | 122.4 | 150         | 204.0 | 220         | 299.2   |
| 5/8-18  | 100         | 136   | 180         | 244.8 | 240         | 326.4   |
| 3/4-10  | 160         | 217.6 | 260         | 353.6 | 386         | 525.0   |
| 3/4-16  | 180         | 244.8 | 300         | 408.0 | 420         | 571.2   |
| 7/8-9   | 140         | 190.4 | 400         | 544.0 | 600         | 816.0   |
| 7/8-14  | 155         | 210.8 | 440         | 598.4 | 660         | 897.6   |
| 1-8   | 220         | 299.2 | 580         | 788.8 | 900         | 1,244.0 |
| 1-12  | 240         | 326.4 | 640         | 870.4 | 1,000       | 1,360.0 |

The guides and ruler furnished below are designed to help you select the appropriate hardware.

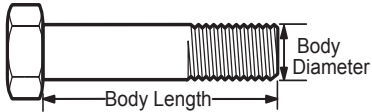


Nut, M8

Thread Diameter (mm)

Inside Diameter (in)      Threads per inch

Nut, 1/2-16

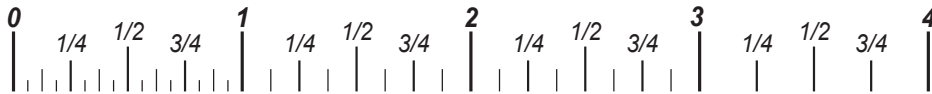


Screw, M8- 1.25 x 25

Thread Diameter (mm)      Distance between threads (mm)      Body Length (mm)

Body Diameter      Threads per inch      Body Length (in)

Screw, 1/2- 16 x 2



## Standard Hardware Sizing

When a washer or nut is identified as 1/2" (M8), this is the *Nominal size*, meaning the *inside diameter* is 1/2 inch (8mm metric thread diameter); if a second number is present it represents the *threads per inch* (distance between threads).

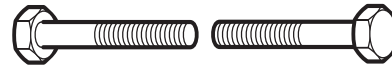
When bolt or capscrew is identified as 1/2 - 16 x 2" (M8 - 1.25 x 50), this means the *Nominal size*, or body diameter is 1/2 inch (8mm metric thread diameter), the second number, 16, represents the *threads per inch*, (*distance between threads*). The final number is the body length of the bolt or screw, 2 inches (50mm).

## NOTES

- These torque values are to be used for all hardware excluding: locknuts, self-tapping screws, thread forming screws, sheet metal screws and socket head setscrews.
- Recommended seating torque values for locknuts:
  - for prevailing torque locknuts - use 65% of grade 5 torques.
  - for flange whizlock nuts and screws - use 135% of grade 5 torques.
- Unless otherwise noted on assembly drawings, all torque values must meet this specification.

## Common Hardware Types

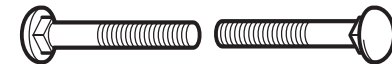
Hex Head Capscrew



Washer



Carriage Bolt



Hex Nut

## Wrench & Fastener Size Guide

|                                  |                                  |                                  |  |                                 |
|----------------------------------|----------------------------------|----------------------------------|--|---------------------------------|
|                                  |                                  |                                  |  |                                 |
| 1/4" Bolt or Nut<br>Wrench—7/16" | 5/16" Bolt or Nut<br>Wrench—1/2" | 3/8" Bolt or Nut<br>Wrench—9/16" | 7/16" Bolt or Nut<br>Wrench (Bolt)—5/8"<br>Wrench (Nut)—11/16" | 1/2" Bolt or Nut<br>Wrench—3/4" |
| M6 Bolt or Nut<br>Wrench—10mm    | M8 Bolt or Nut<br>Wrench—13mm    | M10 Bolt or Nut<br>Wrench—17mm   | M12 Bolt or Nut<br>Wrench—19mm                                 | M14 Bolt or Nut<br>Wrench—22mm  |

**VICTA**