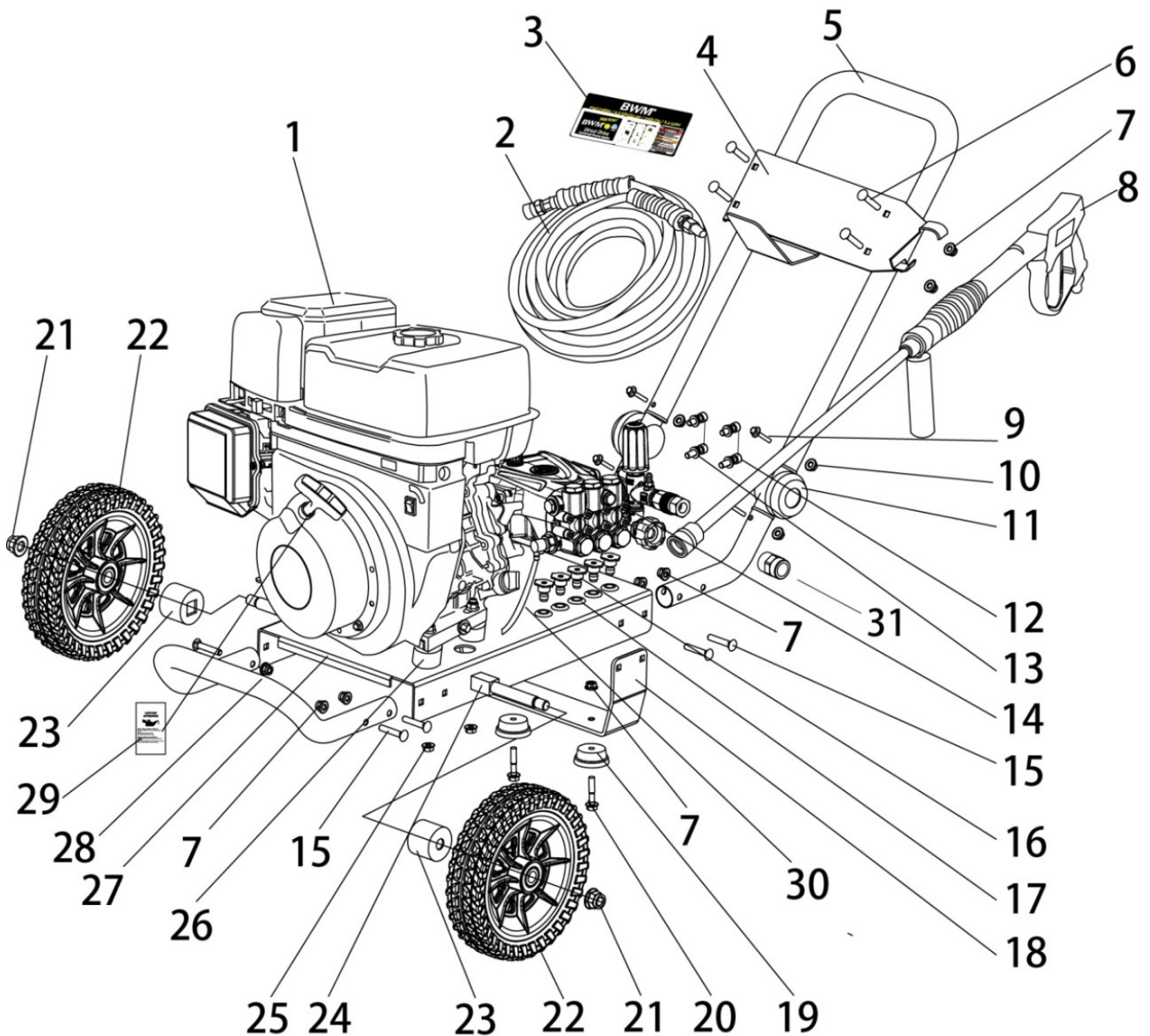


# BWM PWC4000RG Series

## Spare Parts Diagram

(Gearbox Driven)



Ref#	Parts No.	Description	QTY
1		BWM GT1300 2:1 Gear Reduction Engine	1
2	HN23015AA	High pressure pipe	1
3	HW19440AA	Label	1
4	HB52003AA	Panel assembly	1
5	HB52001AB	Handle	1
6	HB21010AA	Bolt	4
7	N802A08B	Nut	14
8	HN13010AA	High pressure gun	1
9	B800B06X045B	Bolt	4
10	N802A06B	Nut	4
11	HB52005AA	Handle regulator	2
12	B808B08X030B	Bolt	2
	W200A08X015B	Flat washer	2
	Y220A08B	Spring washer	2
13	B808B08X025B	Bolt	2
	W200A08X015B	Flat washer	2
	Y220A08B	Spring washer	2
14	HP12040AA	High pressure pump	1
15	HB21010BA	Bolt	8
16	HN33010AA038	Nozzle 0°	1
	HN33011AA038	Nozzle 15°	1
	HN33012AA038	Nozzle 25°	1
	HN33013AA038	Nozzle 40°	1
	HN33014AA	The nozzle pad	1
17	HN43010AA	Support frame	5
18	HB52004AA	Support frame	1
19	GB41064AA	Support foot	2
20	B800B08X025B	Bolt	2
21	N802A14B	Nut	2
22	HB31020AA	Tire	2
23	HB52010AA	Bush	2
24	HB52067AA	Axletree	1
25	N802A10B	Nut	8
26	GB41070AA	Engine rubber foot	4
27	HB51050AA	Base plate	1

Ref#	Parts No.	Description	QTY
28	HB52002AA	Protection tube	1
29	BF70054AA360	thermal controller drainage pipe	1
30	GW59061AC	Engine oil card	1
31	HN53050AA	Adapter	1

## Customer Service:

4 Kylie Place, Cheltenham, Victoria 3192, Australia

Telephone: 1300 454 585

Website: [www.BWMachinery.com.au](http://www.BWMachinery.com.au)

Email: [admin@bwmachinery.com.au](mailto:admin@bwmachinery.com.au)

Spare parts are available from our dealers and our official website