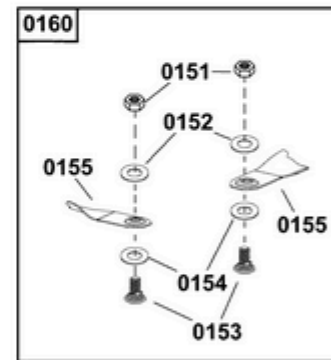
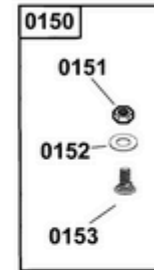
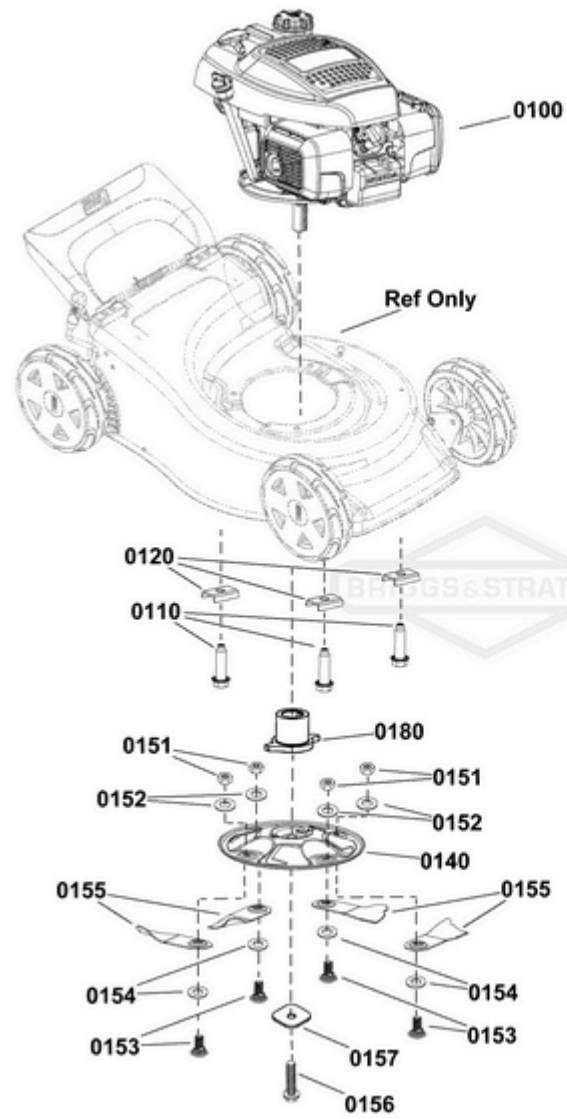
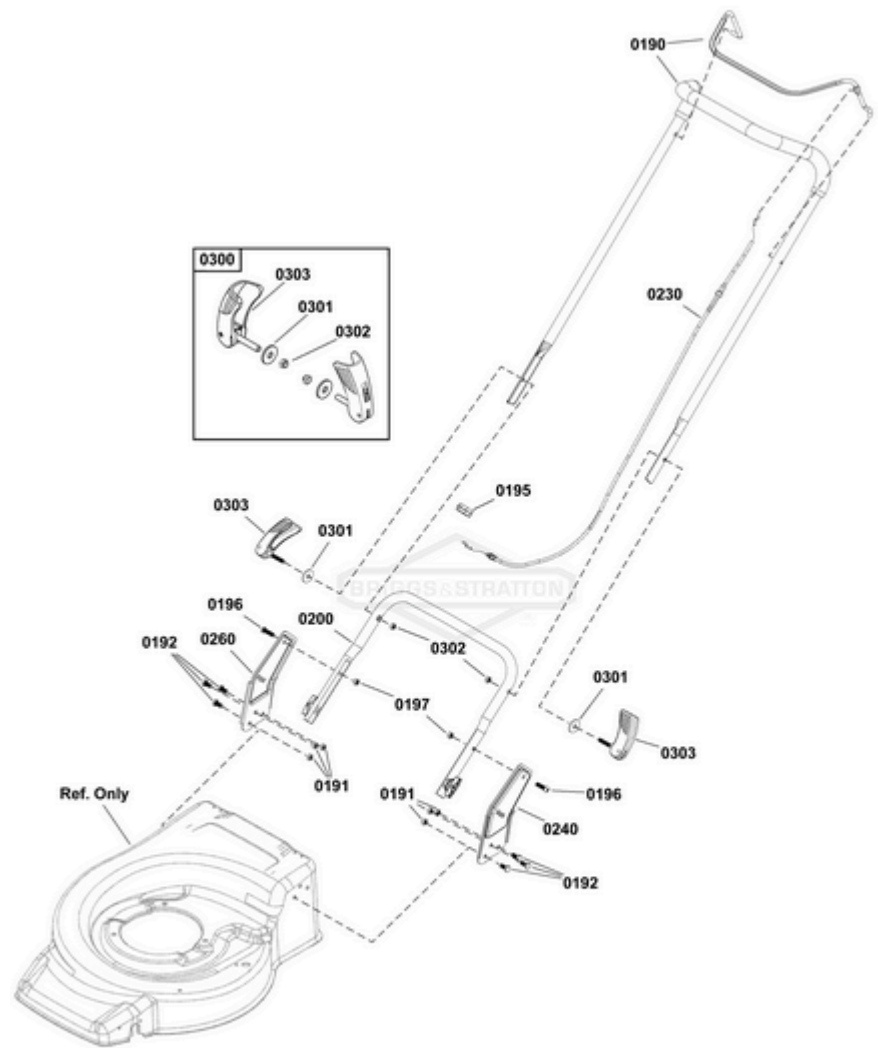


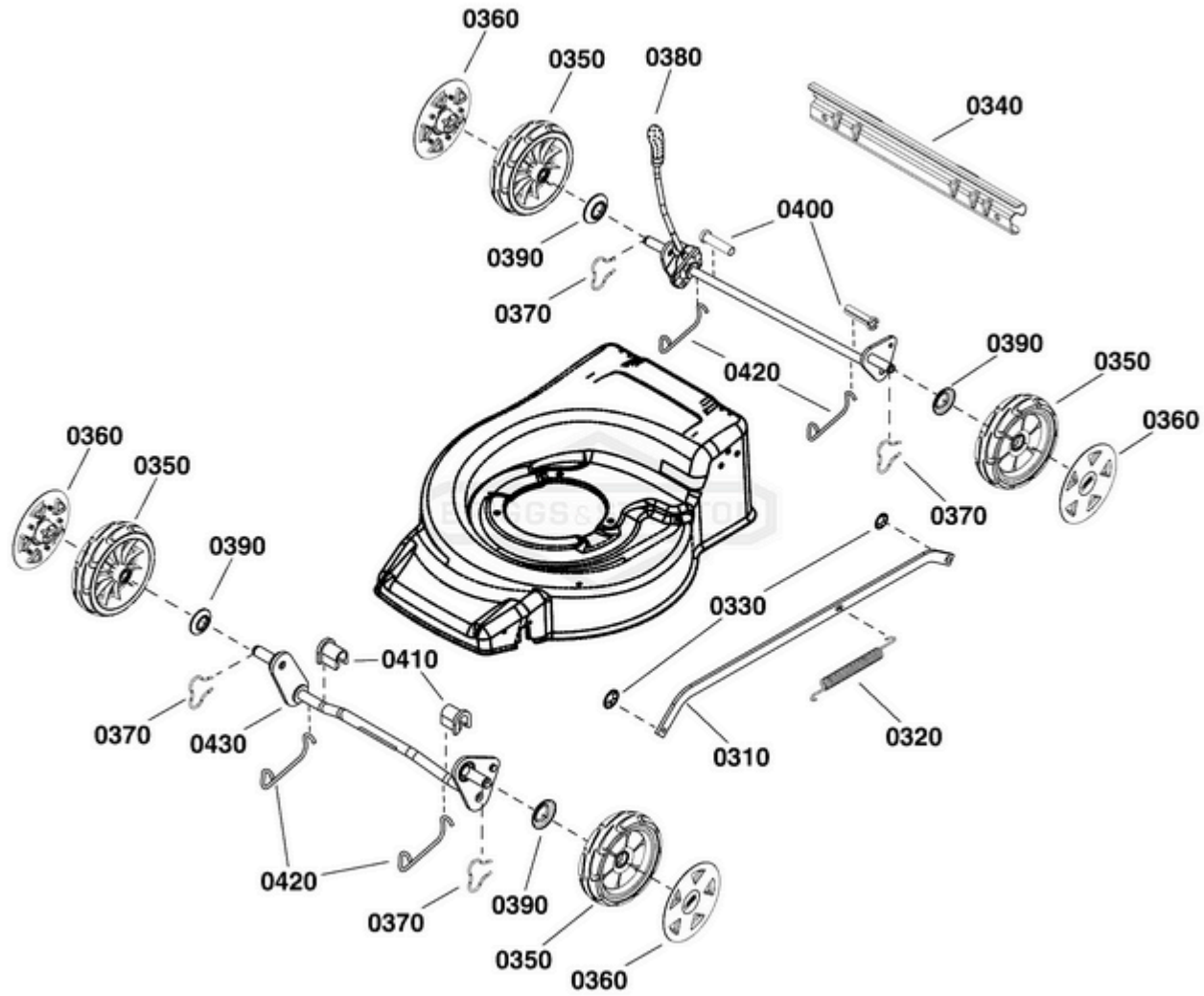
Ref #	Part #	Description	Qty	Context Note	Foot Note
0010	CH87964EW	MOWER DECK, Aztec Silver, 18"	1		
0020	CH87983A	HEIGHT ADJUST	1		
0030	CH88365A	WASHPORT ASSEMBLY	1		
0040	CH87976A	SUPPORT, Mulching Plug	1		
0050	CH87972A	MULCHING PLUG	1		
0060	GC12054A	GRASS CATCHER ASSEMBLY, Black	1	(Includes Ref. 0061, 0062 & 0070)	
0061		GRASS CATCHER, Top	1		
0062		GRASS CATCHER, Bottom	1		
0070	GC11767V	VENT & MESH PACK, Adjustable Vents, Silver	1	(Includes items 0071 & 0072)	
0071		GRASS CATCHER, Vents	2		
0072		GRASS CATCHER, Mesh	1		
0090	CH87970A	REAR FLAP ASSEMBLY	1		



Ref #	Part #	Description	Qty	Context Note	Foot Note
0100		* ENGINE, GCV170 Honda	1	(Engine Style may vary from illustration)	Note* To verify your specific engine model, please reference the ID Tag located on your engine. See your local distributor for parts and service.
0110	HA21618A	BOLT, Engine Mount	3		
0120	HA22362A	ENGINE BOLT WASHER	3		
0140	CA09521A	BLADE DISC, Mulching, Low Inertia	1		
0156		BOLT, Blade	1		
0157		WASHER, Tension	1		
0150	CA09277S	KIT, Hardware, Bolt, Washer, Nut (1 Pack)	1	(Includes Ref 0151 through 0153)	
0151		NUT, Nylock, 3-8 UNC	4		
0152		WASHER, Belleville	4		
0153		BOLT, Blade	4		
0160	CA09470B	KIT, Blade & Bolt, Bulk Pack (1 Pack)	1	(Includes Ref 0151 through 0155)	
0151		NUT, Nylock, 3-8 UNC	4		
0152		WASHER, Belleville	4		
0153		BOLT, Blade	4		
0154		WASHER, Tension	4		
0155		BLADE, Mulching	4		
0180	80109728	SLEEVE, GCV170 Engine	1		



Ref #	Part #	Description	Qty	Context Note	Foot Note
0190	80107646	ASSEMBLY, Upper Handle Honda Bail Arm	1		
0191		NUT, Hexagon, M8	6		
0192		BOLT, Hexagon Flange, M8 X 16	6		
0195		CLAMP, Cable	1		
0196	HA28304A	BOLT, Hex Head M8X28	2		
0197	HA26539A	BOLT, Nyloc Nut, M8	2		
0200	CH88397B	LOWER HANDLE ASSEMBLY, Adjustable, Black	1		
0230	80107648	ASSEMBLY, Bail Arm Clutch Cable	1		
0240	CH87986A	SUPPORT, Handle, Left, Adjustable	1		
0260	CH88328A	SUPPORT, Handle, Right, Adjustable	1		
0300	CH86781P	WINGED LOCKING LEVER PACK	1	(Set of 2, Includes Ref. 0301 through 0303)	
0301		WASHER	2		
0302		NUT, M8	2		
0303		LEVER, Winged	2		



Ref #	Part #	Description	Qty	Context	Note	Foot	Note
0310	CH87978A	CONNECTING LINK, 18"	1				
0320	CH88319A	SPRING, Connecting Link	1				
0330	CH88386A	COLLAR, Locking	2				
0340	CH87977A	SKIRT, Rear	1				
0350	CH87335A	WHEEL ASSEMBLY, Razor, 8"	4				
0360	CH88271B	HUBCAP, Razor, Metallic Silver					
0370	CH86298A	CAPTIVATED CLIP, Wheel	4				
0380	CH87979A	REAR AXLE ASSEMBLY	1				
0390	CH88337A	SEAL, Dust	4				
0400	CH88447A	BUSHING, Rear Axle	2				
0410	CH88339A	BUSHING, Front Axle	2				
0420	CH86912A	HOOK, Spring	4				
0430	CH88350A	FRONT AXLE ASSEMBLY	1				