

Masport®

DOMESTIC ROTARY MOWERS

SERIES 19

Part Number
567798

Model
700STSP CO Instart

Engine
B&S Series 650iS

Month and Year of First Manufacture - July 2017

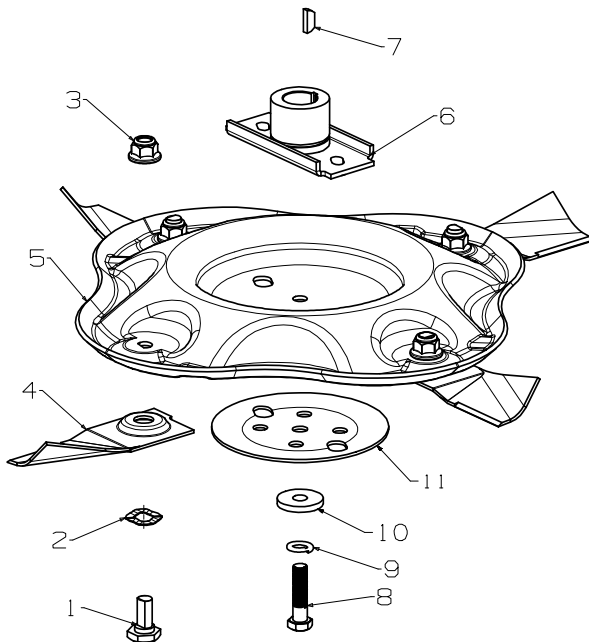
Starting Serial Number - 8168486



Issue A.0
ECN 03596
Oct 2017 PB
REF # 767798S



485mm Disc Blade- Wavy Assembly

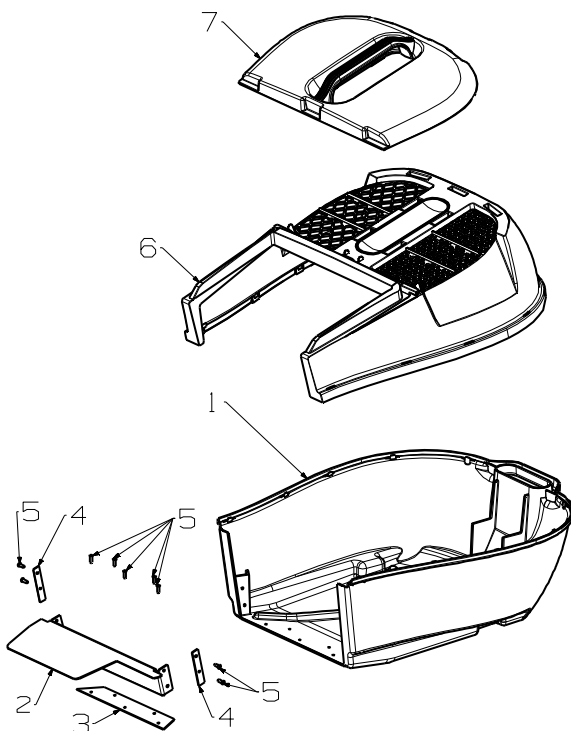


Item	Part No	Description	Qty
1	581707	Bolt- Pivot M10 x 22	4
2	580693	Washer, Wavy 13.4 x 24.2	4
3	503672	Nut, M10 Hex Nyloc Flange	4
4	983310	Blade- Quick Cut, 485mm	4
5	783314	KIT-Disc Blade Wavy (Includes items: 8, 9, 10, 11)	1
6	014173	Driver Assy-Blade - 7/8"	1
7	500636	Key, Woodruff - 5/8"x5/32"x1/4"	1
8	503543	Bolt; Hex NF 3/8" x 1.5 NYG8	1
9	500204	Washer, Spring 3/8"	1
10	503855	Washer, Flat 9.75 x 30 x 4.0	1
11	567332	Plate- Stiffener, Disc Blade	1

Blade & Bolt Sets

783692	Bolt Set (4) Includes Items: 1, 2, 3
783310	Blade-Quick Cut (4) 485mm Includes Items: 1, 2, 3, 4
769449	Disc Assy-Wavy (4 Blade) 485mm Includes Items: 1, 2, 3, 4, 5, 8, 9, 10, 11

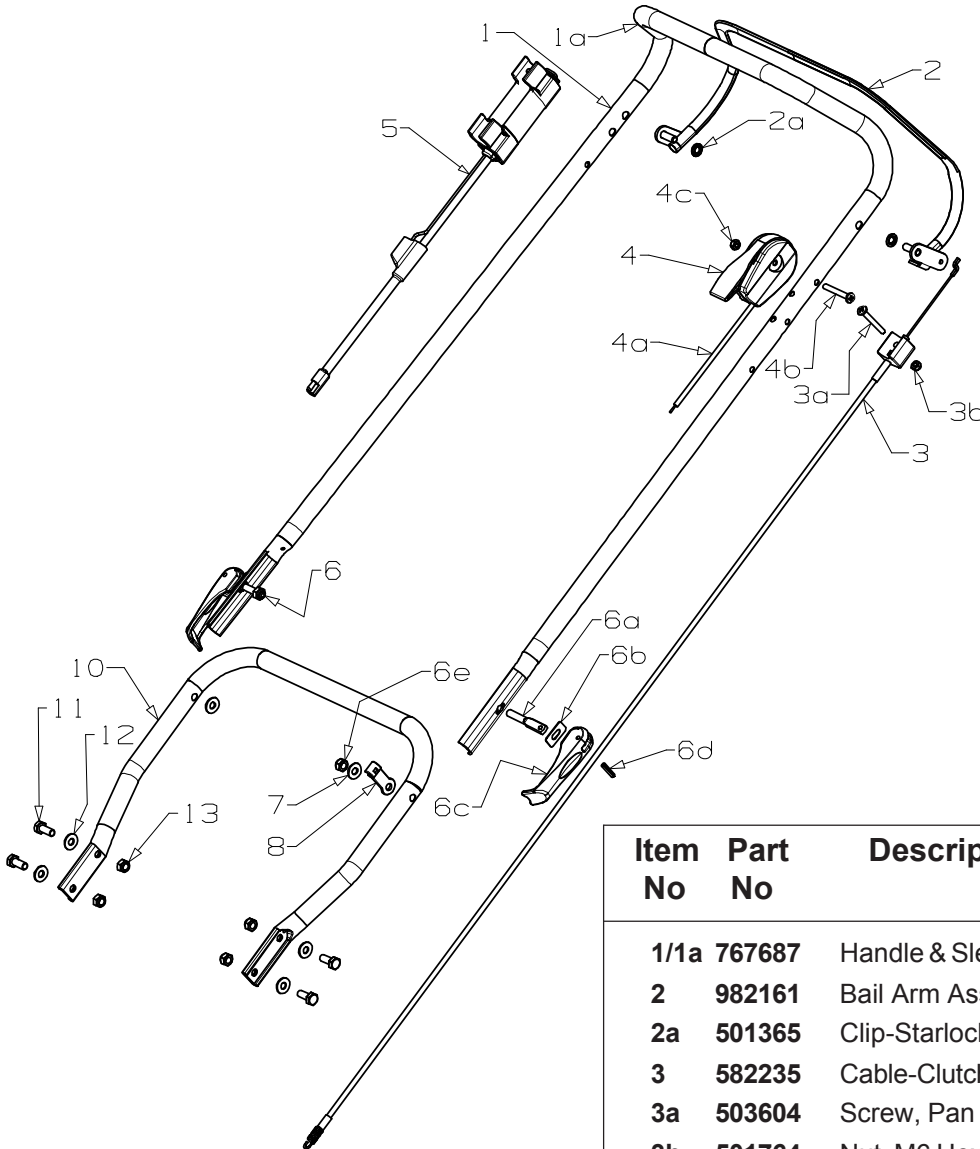
773678 Catcher Assembly- 19" Stl SP BLK/TUNNL



Item	Part No	Description	Qty
1	967138	Catcher- Btm, 19" SP Brnd/Gry	1
2	573676	*Lip-Catcher, 19" ST SP	1
3	583565	*Plate-Backing	1
4	582223	*Plate-Rivet	2
5	501303	*Rivet-Pop 4.0x7.9	9
6	579051	Top-Catcher	1
7	579050	Lid-Catcher	1

When ordering PLEASE QUOTE PART NUMBER & Description, NOT Illustration No.
Determine right or left hand side from standing in operating position (standing at handle).

Bold Text = Assemblies, Bulleted Text * = Items included in the Assemblies & may not be available as a spares item.



NOT ILLUSTRATED

502244	Decal, Eng Trim W22Inst 383101	1
502246	Trim- Cowl- Eng, SR W22Instart Rd	1
503054	Tie- Nylon Cable, Black	6
564643	Decal, HSG S19 700	1
569262	Decal, Height Combo	1
573198	Decal, HSG Self Propelled	2
574151	Charger- Battery, 594501 INS NZ	1
574152	Battery- Instart 593560 NZ/EU	1
574439	Instruct, Sheet E/S INSTART	1
579414	Decal, Noise Masport	1
582049	Decal, Flap Caution	1
583152	Owners Manual	1
583344	Instruction, Catcher	1

Item No	Part No	Description	Qty
1/1a	767687	Handle & Sleeve E/S OPCSFTBLK	1
2	982161	Bail Arm Assy, SP	1
2a	501365	Clip-Starlock, 5/16"	2
3	582235	Cable-Clutch, ThumbWheel G/box	1
3a	503604	Screw, Pan M6 x 45	1
3b	501764	Nut, M6 Hex Nyloc x 6mm thick	1
4/4a	583458	Throttle Ctrl & Cable, Wescon	1
		(Also available: Lever 574398, Body 574430)	
4b	503604	*Screw, Pan M6 x 45	1
4c	501764	*Nut, M6 Hex Nyloc x 6mm thick	1
5	574155	Switch Eng Instart Push Butt	1
6	779755	Cam Lock Assembly (1 per)	2
6a	582419	*Lever- Handle Locking	1
6b	503369	*Pin, Tension 5.0 x 22	1
6c	016777	*Washer- Slipper	1
6d	583041	*Stud- Handle Lock, 61mm	1
6e	501793	*Nut, M8 Hex Nyloc x 8mm thick	1
7	501606	Washer, Flat 8 x 19 x 1.6	2
8	581527	Retainer- Clutch, Cable	1
10	973125	Handle-Lower, "U" 19" Wide Blk	1
11	501597	Set Screw, M8 x 20	4
12	501606	Washer, Flat 8 x 19 x 1.6	4
13	501793	Nut, M8 Hex Nyloc x 8mm thick	4

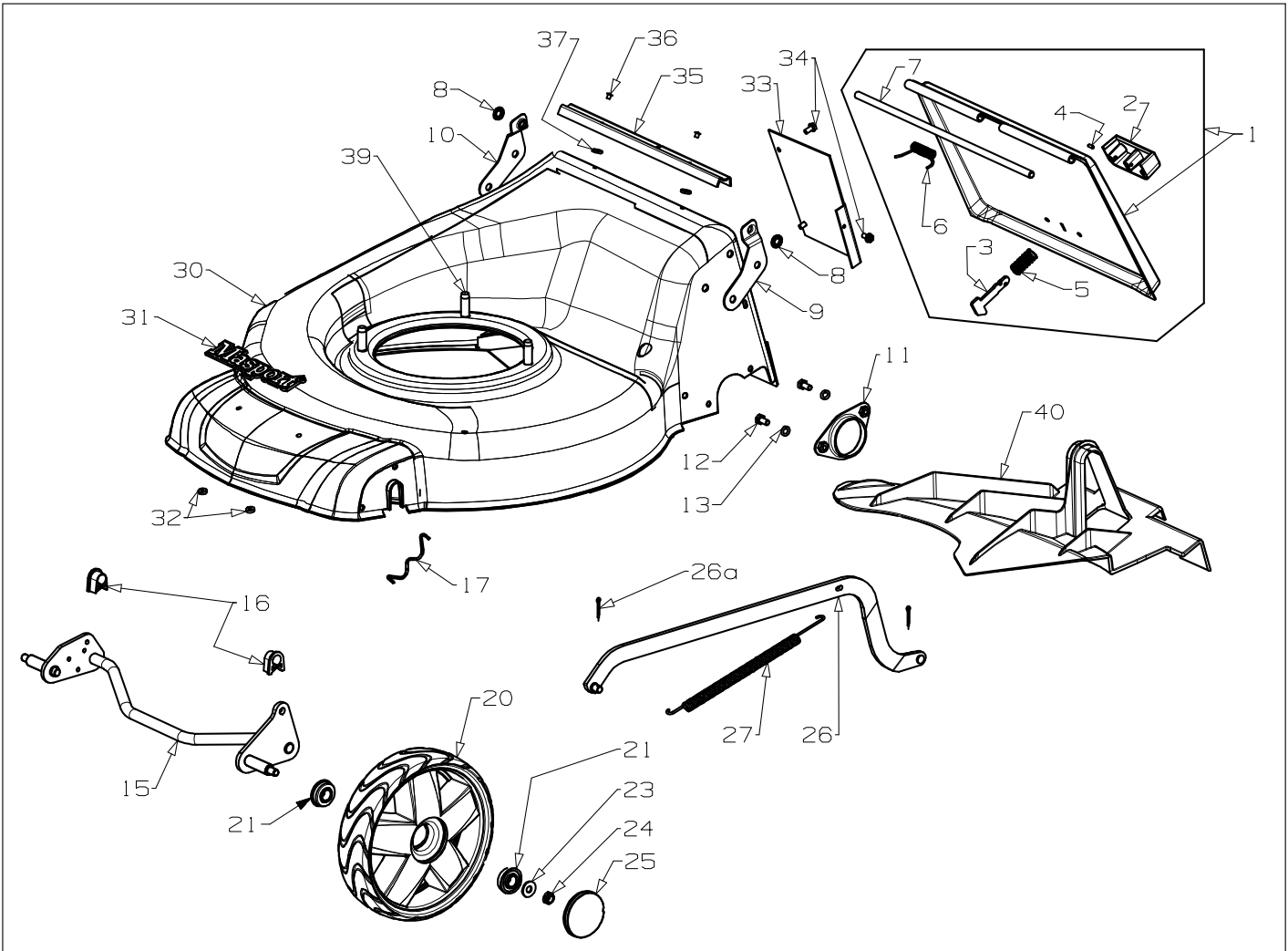
When ordering PLEASE QUOTE PART NUMBER & Description, NOT Illustration No.

Determine right or left hand side from standing in operating position (standing at handle).

Bold Text = Assemblies, Bulleted Text * = Items included in the Assemblies & may not be available as a spares item.



S19 700ST SP CO Instart



Item No	Part No	Description	Qty	Item No	Part No	Description	Qty
1	973862	Flap Assy- Steel, 19" Latched	1	21	551212	Bearing- Wheel	4
2	580602	*Handle- Flap	1	23	501606	Washer, Flat 8 x 19 x 1.6	2
3	981650	*Latch- Flap, Barbed	1	24	503831	Nut, M8 Hex Nyloc x 6mm thick	2
4	502019	*Pin- Tension 3.0 x 8	1	25	579198	Hub Cap, Button Spkd, Slvr	2
5	581106	*Spring- Latch, Flap	1	26	573498	Rod Assy-Connecting, 19" ST SP	1
6	579213	*Spring-Flap 19" ST Deck	1	26a	501056	Pin, Cotter 2.3Dx16	2
7	583312	*Wire-Flap Pivot 8mm x 325mm	1	27	580621	Spring-Counter Balance, SP	1
8	501365	Clip- Starlock, 5/16"	2	30	764223	Hsg- StIT19" XFQ COSP TTNM	1
9	579209	Bracket- Flap, LH 19"	1	31	581240	*MASPORT-Nameplate	1
10	579210	Bracket- Flap, RH 19"	1	32	503150	*Clips- Starlock, 5mm dia	2
11	581178	Retainer-Axle, Rear, 600 SP	2	33	573491	Tunnel- Gbox Cover 19" ST	1
12	501959	Screw, Set M6x12 Hex	4	34	503630	Screw, S/T 10x0.4	3
13	500201	Washer, Spring 6	4	35	579211	Dust Seal- Flap 19"	1
15	983281	Axle-Front, 200mm	1	36	581369	Rivet- Pop 4.0x3.2	2
16	580030	Bush-Pivot, Front Axle	2	37	502170	Washer, Nylon 5 x 12 x 2.0	2
17	529674	Retainer-Axle W, Front	2	39	580453	Screw, S/T 3/8"x1-1/8" UNC	3
20	579197	Wheel-200mm BB Spkd,Slvr (Includes 2 x 551212 per wheel)	2	40	579130	Insert- Mulching, 19" ST SP	1

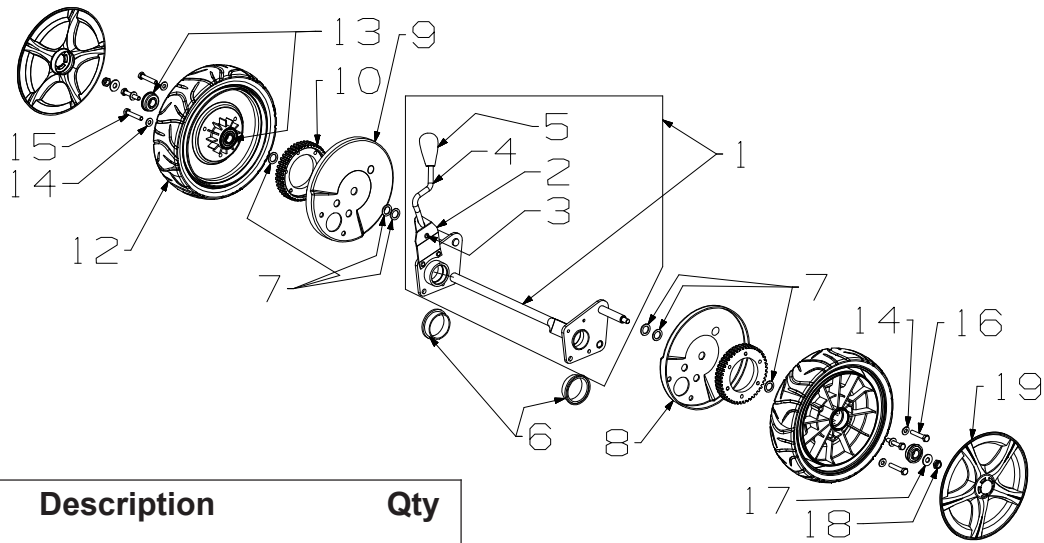
When ordering PLEASE QUOTE PART NUMBER & Description, NOT Illustration No.

Determine right or left hand side from standing in operating position (standing at handle).

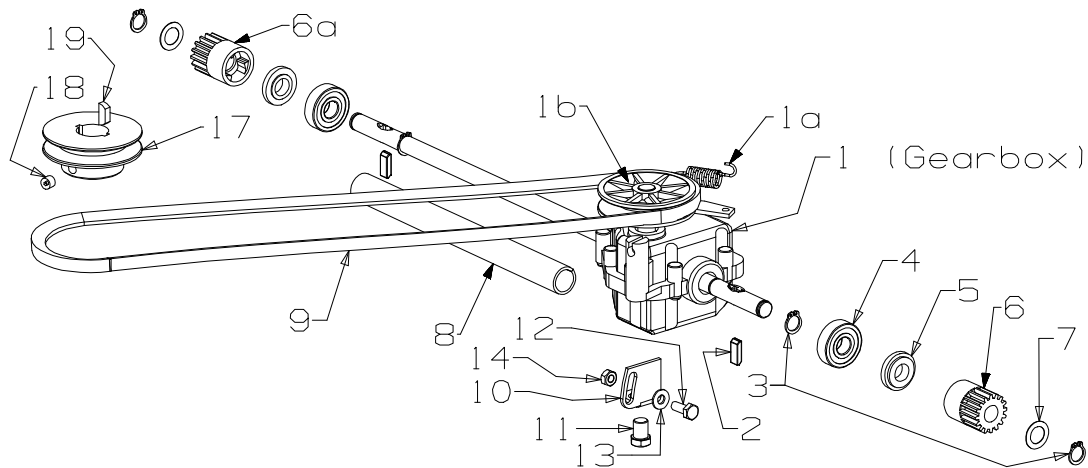
Bold Text = Assemblies, Bulleted Text * = Items included in the Assemblies & may not be available as a spares item.



S19 700ST SP CO Instart



Item No	Part No	Description	Qty	Item No	Part No	Description	Qty
1	773417	Axle Assy, Rear, Comp 19" SP	1	12	579070	Wheel Assy- 220mm BB MSV SP (Includes 2 x 551212 per wheel)	2
2	580649	*Spring, Leaf	1	13	551212	Bearing- Wheel, Ball	4
3	503373	*Rivet- F/HD 3/16x27/64	3	14	501703	Washer, Flat 6x14x1.2	6
4	583592	*Rod- Height Selector 19"	1	15	501815	Screw, Set M6x35	3
5	581729	*Knob- Height Lever	1	16	501815	Screw, Set M6x35	3
6	580091	Bush- Pivot, Rear Axle	2	17	501606	Washer, Flat 8 x 19 x 1.6	2
7	503301	Washer, Flt 1/2x3/4x18	6	18	503831	Nut, M8 Nyloc x 6mm thick	2
8	579426	Dust, Cover RH + LH MSV SP	1	19	579207	Hub Cap, 220mm MSV SP Slvr	2
9	579426	Dust, Cover RH + LH MSV SP	1				
10	569180	Gear, Driving- 45 Teeth	2				



Item No	Part No	Description	Qty	Item No	Part No	Description	Qty
1	583487	Gear Box, Single Speed 19"	1	9	573884	Belt-V HC VEXTRA XPZ 760 Gates	1
1a	501355	Spring- Clutch,G/Box, S/Speed 19"	1	10	573593	Mount, Gearbox 19" ST SP	1
1b	783249	Pulley-G/Box, S/Speed 19"	1	11	501863	Screw, Set M8 x 12	1
2	581092	Pawl, Pinion 950 SP	2	12	501702	Screw, Set M6 x 16	1
3	503759	Circlip, 12 EXT DIN 471	4	13	501703	Washer, Flat 6 x 14 x 1.2	1
4	501213	Bearing, 12x32x10 6201 2RS	2	14	503973	Nut, M6 Hex Nyloc Flange	1
5	581093	Cap, Pinion 950 SP Plastic	2	17	573634	Pulley- Engine, 7/8" x 68D x 28H	1
6	569178	Pinion, LH 12 Teeth	1	18	503386	Screw, Grub M8 x 8	1
6a	569179	Pinion, RH 12 Teeth	1	19	500636	Key- W/Ruff 5/8 x 5/32 x 1/4	1
7	503102	Washer, Flat 12 x 20 x 0.4	2				
8	583563	Sleeve, Rear Axle MSV SP	1				

When ordering PLEASE QUOTE PART NUMBER & Description, NOT Illustration No.

Determine right or left hand side from standing in operating position (standing at handle).

Bold Text = Assemblies, Bulleted Text * = Items included in the Assemblies & may not be available as a spares item.