

Z-Stance 32 [AGU994160]

TABLE OF CONTENTS

Z-Stance 32 [AGU994160]	3
AGU994160 Belt Covers - 32"	5
AGU994160 Decals Safety	7
AGU994160 Decals Style - 32"	9
AGU994160 Deck Lift - 32"	11
AGU994160 Deck Lift Linkage	13
AGU994160 Deck Lift Mounts	15
AGU994160 Deck, Belt, Blades & Spindles - 32"	17
AGU994160 Discharge Chute - 32"	19
AGU994160 Drive Belt & Clutch - 32"	21
AGU994160 Drive Controls - 32"	24
AGU994160 Drive Controls (Continued)	26
AGU994160 Electrical	28
AGU994160 Electrical Diagram	31
AGU994160 Engine & Frame - 32"	33
AGU994160 Fenders	36
AGU994160 Front Casters	38
AGU994160 Fuel System	40
AGU994160 Height Of Cut - 32"	42
AGU994160 Idlers & Sheaves - 32"	45
AGU994160 Muffler - 32"	48
AGU994160 Operator Pad & Switches	50
AGU994160 Operator Platform - 32"	52
AGU994160 Parking Brake - 32"	54
AGU994160 Rear Tires & Transaxles - 32"	56
AGU994160 Tower & Dash	58



GRAVELLY®

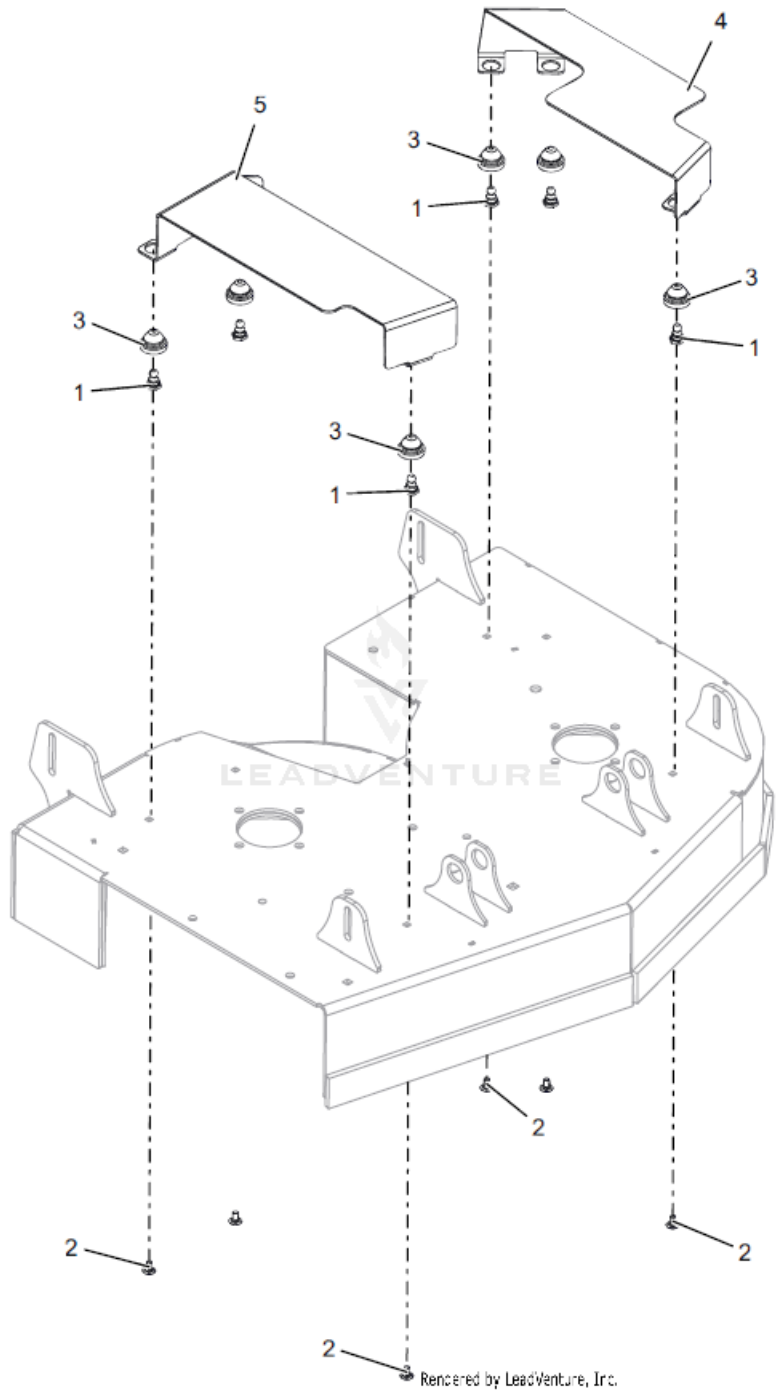
**PRODUCT IMAGE
UNAVAILABLE**

Rendered by LeadVenture, Inc.

Z-Stance 32 [AGU994160]

Ref Number	Part Number	Part Description	Context Notes	Quantity
1	AGU994160	Z-STANCE 32 - 18.5HP KAWASAKI FS600V, 32" FABRICATED 7 GA FLOATING DECK		1

AGU994160 Belt Covers - 32"



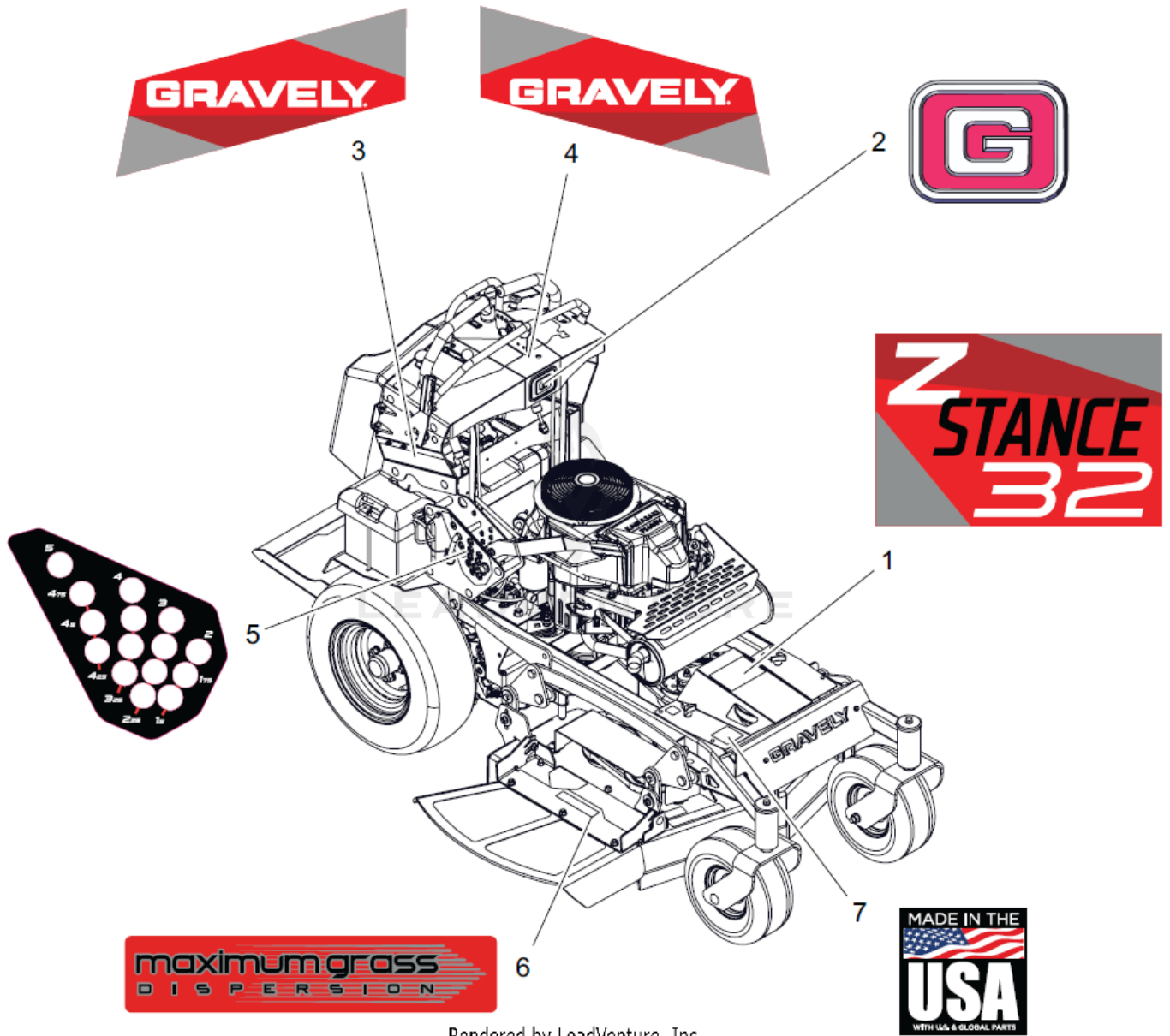
AGU994160 Belt Covers - 32"

Ref Number	Part Number	Part Description	Context Notes	Quantity
1	AGP05275900	STUD, BALL FEMALE .250-20 THREAD		6
2	AGP06200305	BLT, RHSSN.25-20X.500 G5 ZCC		6
3	AGP07500429	COUPLING, RUBBER PUSH-IN		6
4	AGP09668253	GUARD, 32" DECK LH BELT (RED)		1
5	AGP09668353	GUARD, 32" DECK RH BELT (RED)		1

AGU994160 Decals Safety

Ref Number	Part Number	Part Description	Context Notes	Quantity
1	AGP03271900	DECAL, TRANSMISSION DISCONNECT		2
2	AGP07800401	DECAL, SAFETY - GUARDING		1
3	AGP07757500	DECAL, PARKING BRAKE LEVER		1
4	AGP07800820	DECAL, FUEL WARNING		1
5	AGP07801608	DECAL, DASH - Z STANCE		1
6	AGP07700039	DECAL, PROSTANCE HYD BELT ROUT		1
7	AGP07754100	DECAL, HOT SURFACE		2
8	AGP07800410	DECAL, DECK SAFETY		2
9	AGP07700010	DECAL, BELT ROUTING 48/52		1
10	AGP07800402	DECAL, SAFETY - DECK GUARDING		1
11	AGP02988100	DECAL, DANGER		1

AGU994160 Decals Style - 32"

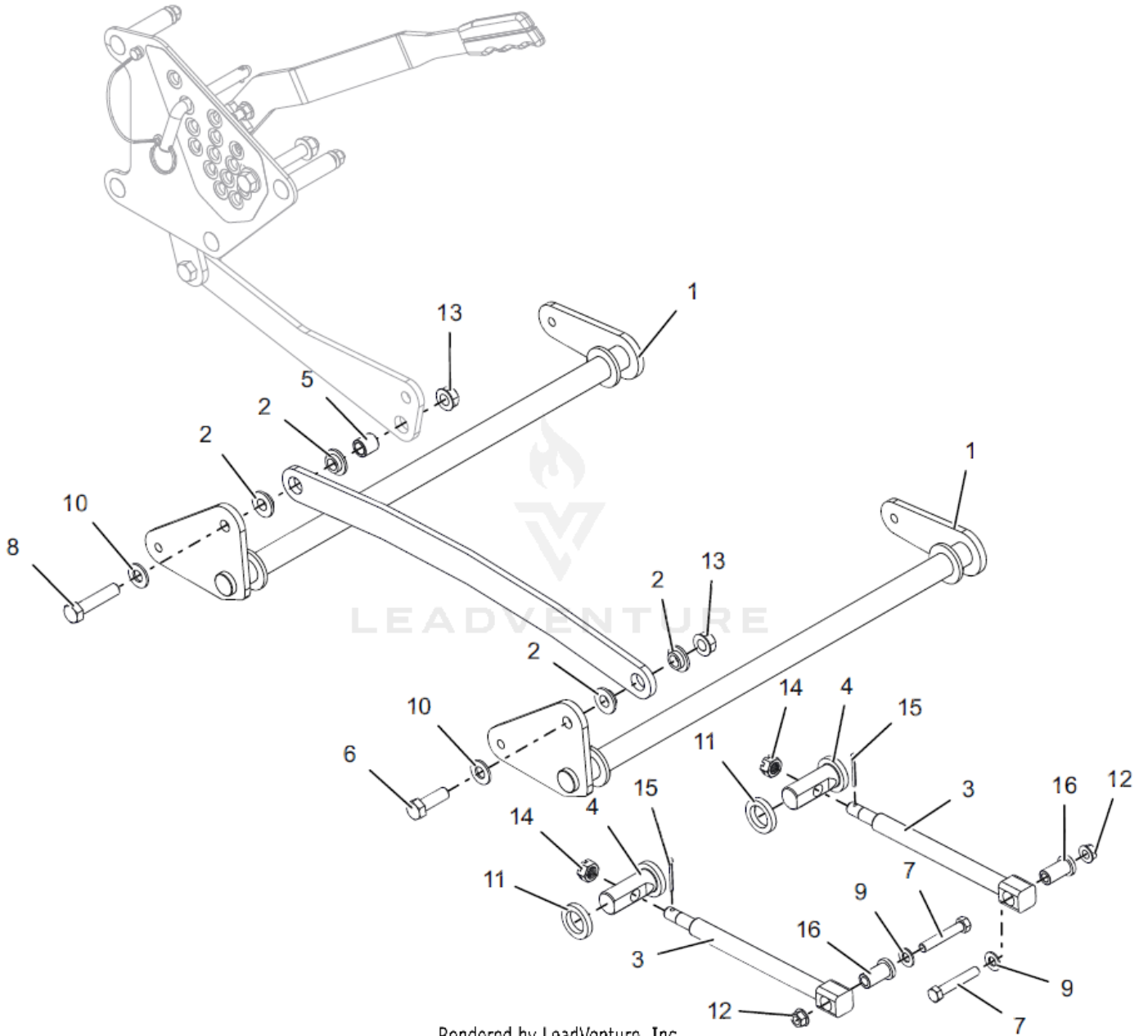


Rendered by LeadVenture, Inc.

AGU994160 Decals Style - 32"

Ref Number	Part Number	Part Description	Context Notes	Quantity
1	AGP07700223	DECAL, Z-STANCE 32"		1
2	AGP07800534	DECAL, GRAVELY BRAND		1
3	AGP07801605	DECAL, RH GRAVELY LOGO		1
4	AGP07801606	DECAL, LH GRAVELY LOGO		1
5	AGP07801607	DECAL, DECK - HEIGHT ADJUST		1
6	AGP07801229	DECAL, DECK - MAX GRASS		1
7	AGP08001038	DECAL, MADE IN USA		1

AGU994160 Deck Lift - 32"

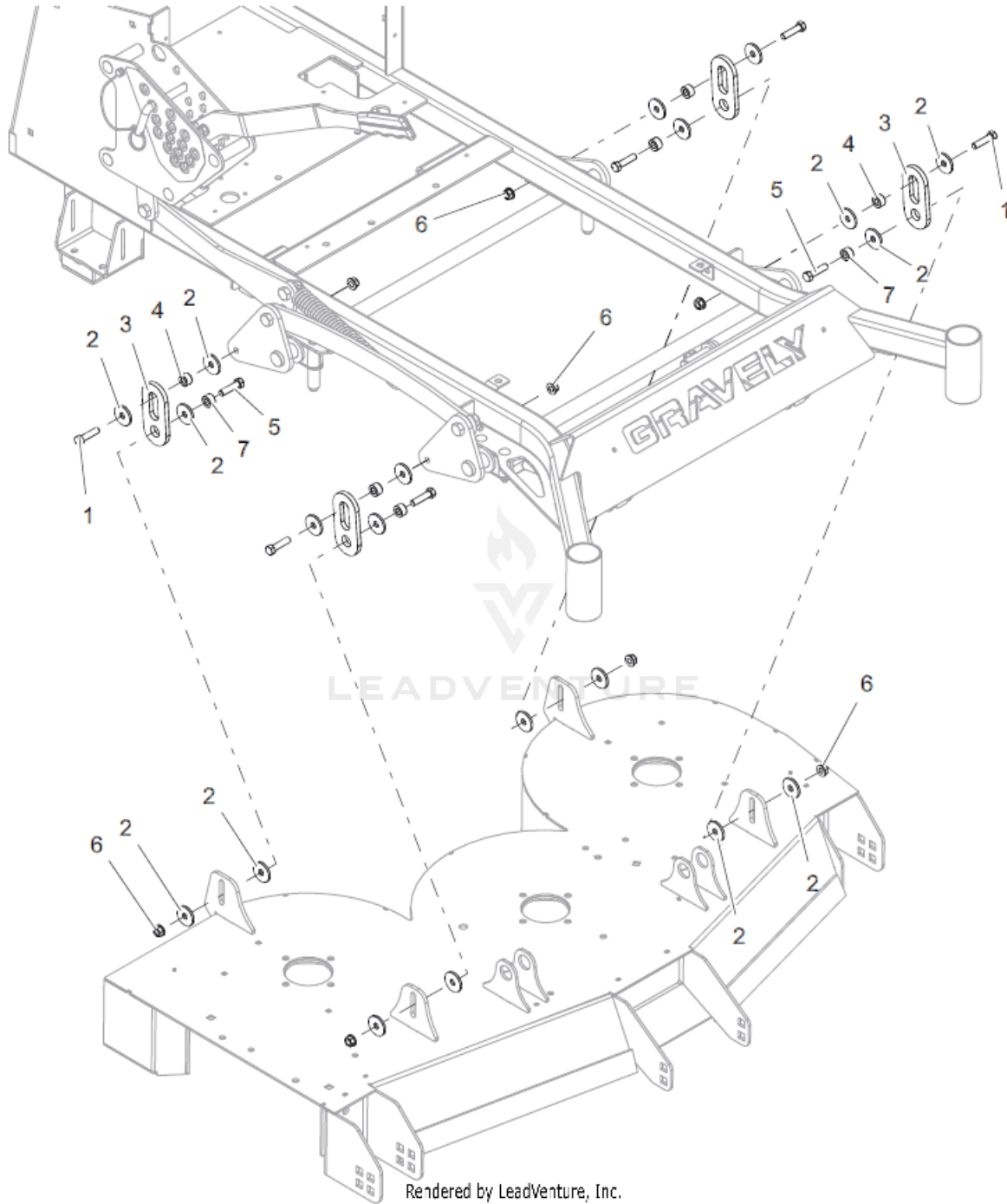


Rendered by LeadVenture, Inc.

AGU994160 Deck Lift - 32"

Ref Number	Part Number	Part Description	Context Notes	Quantity
1	AGP09496951	WLDMT, 32" DECK LIFT SHAFT (BLACK)		2
2	AGP03989100	BSHG-FLG .515X.750X.310X1.120		4
3	AGP05126700	DRAG, LINK-HD		2
4	AGP05264200	PIN, DECK LIFT		2
5	AGP05501104	BSHG, SLV 5.10 X .751 X .750		1
6	AGP05901631	BLT, HEX .50-13X1.50 G5 ZCC		1
7	AGP05901640	BLT, HEX .38-16X2.25 G5 ZCC		2
8	AGP05901835	BLT, HEX .50-13X2.25 G5 ZCC		1
9	AGP06401010	WSHR-FL-STL 0.406X0.812X0.065 UNPLATED		2
10	AGP06401015	WSHR, FLT .531X1.062X.095 ZCC		2
11	AGP06425600	WSHR-FL-STL 1.0X1.50X.25		2
12	AGP06500901	NUT-LK-CTR-FLG .375-16 GF ZCC		2
13	AGP06500902	NUT-LK-CTR-FLG .500-13 GG ZCC		2
14	AGP06505000	NUT-SL .50-13		2
15	AGP06700212	PIN, CTR. 12X1.25EXTPRSQCT ZC120		2
16	AGP09158400	SPCR, DRAG LINK		2

AGU994160 Deck Lift Linkage

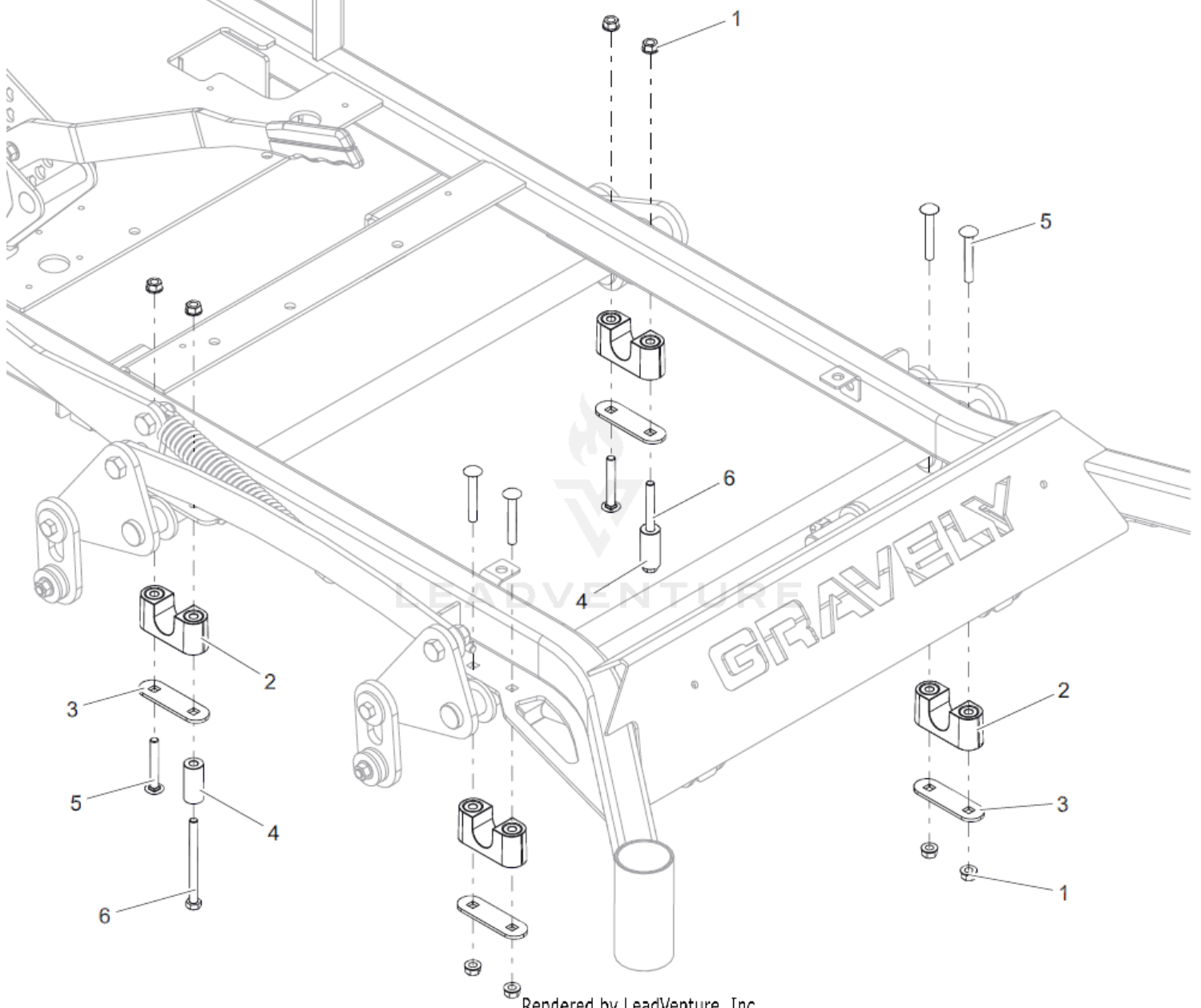


Rendered by LeadVenture, Inc.

AGU994160 Deck Lift Linkage

Ref Number	Part Number	Part Description	Context Notes	Quantity
1	AGP05901928	BLT, HEX .38-16X1.50 G5 ZCC		4
2	AGP06401121	WSHR,FLT .406X1.375X.135 ZCC		20
3	AGP09496851	PLATE, DECK HANGER (BLACK)		4
4	AGP05501506	SPCR, .390 ID X .750 OD X .438		4
5	AGP05901928	BLT, HEX .38-16X1.50 G5 ZCC		4
6	AGP06500901	NUT-LK-CTR-FLG .375-16 GF ZCC		8
7	AGP05501506	SPCR, .390 ID X .750 OD X .438		4

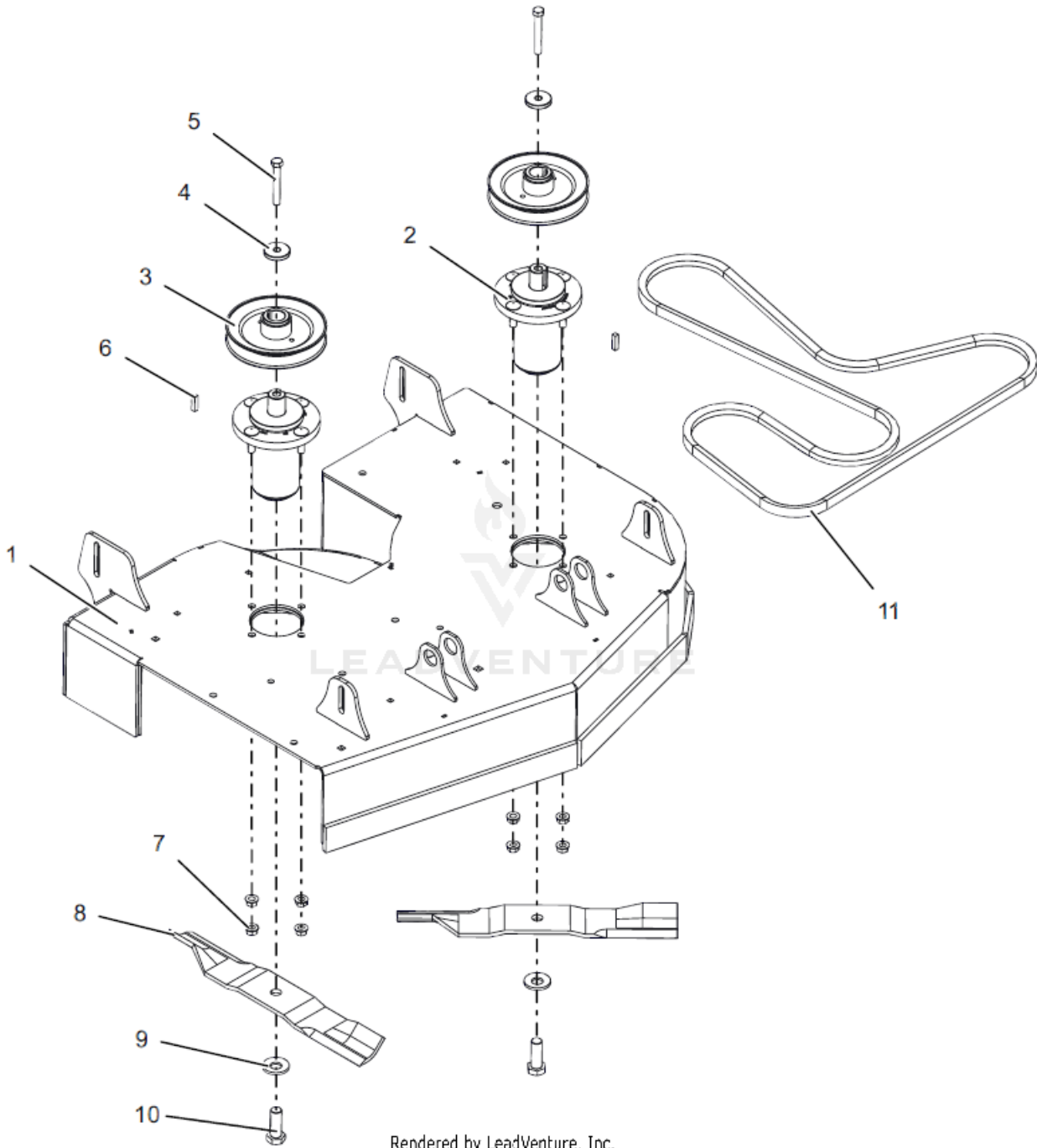
AGU994160 Deck Lift Mounts



AGU994160 Deck Lift Mounts

Ref Number	Part Number	Part Description	Context Notes	Quantity
1	AGP06500840	NUT,LK-CTR-FLG .31-18 GF ZCC		8
2	AGP07500414	ASM-BUSHING, DECK LIFT		4
3	AGP04766551	PLATE, BEARING SUPPORT		4
4	AGP05501508	SPCR, .328 ID X .750 OD X 1.622		2
5	AGP06200311	BLT, RHSSN.31-18X2.25 G5 ZCC		6
6	AGP05901936	BLT, HEX 0.3125-18X3.75 GR5 ZCC		2

AGU994160 Deck, Belt, Blades & Spindles - 32"

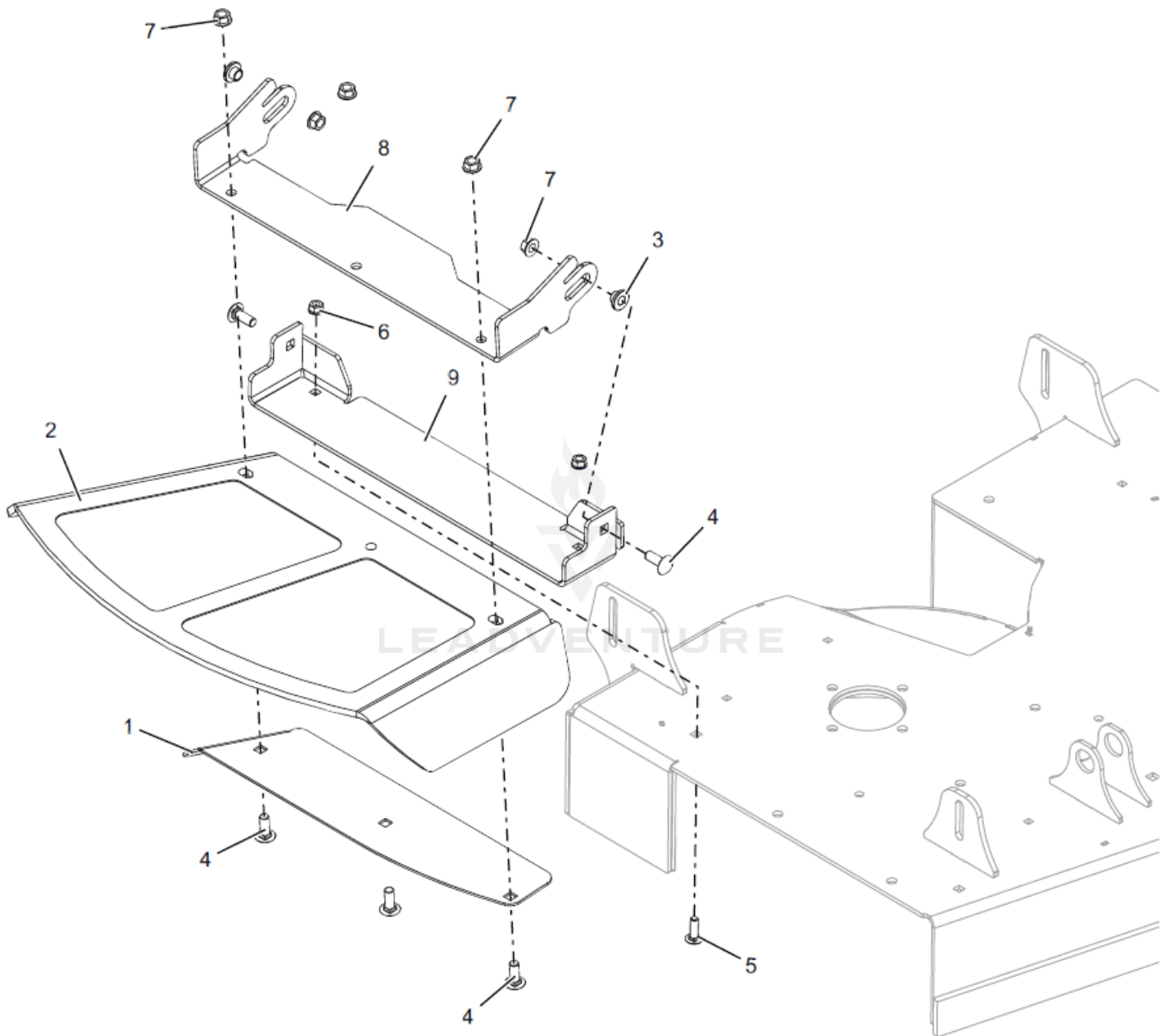


Rendered by LeadVenture, Inc.

AGU994160 Deck, Belt, Blades & Spindles - 32"

Ref Number	Part Number	Part Description	Context Notes	Quantity
1	AGP59407100	32" DECK WLDMT W/ SAFETY DECALS		1
2	AGP58810800	ASM, MAINT FREE ALUM SPINDLE		2
3	AGP07329367	PULLEY, V-1" ID X 5.75" OD		2
4	AGP04530500	RETAINER, SHEAVE		2
5	AGP05901813	BLT, HEX .38-16X2.75 G8 ZCC		2
6	AGP06611200	KEY, SQ .25X.25X1.00 RC 40-50		2
7	AGP06500901	NUT-LK-CTR-FLG .375-16 GF ZCC		8
8	AGP00450200	BLADE, 16.19" MOWER (HI-LIFT)		2
9	AGP06445700	WSHR-BLVL .669X1.535X.138		2
10	AGP05901822	BLT, HEX .62-18X1.75 G8 ZCC		2
11	AGP07200917	V-BELT, DECK 32"		1

AGU994160 Discharge Chute - 32"



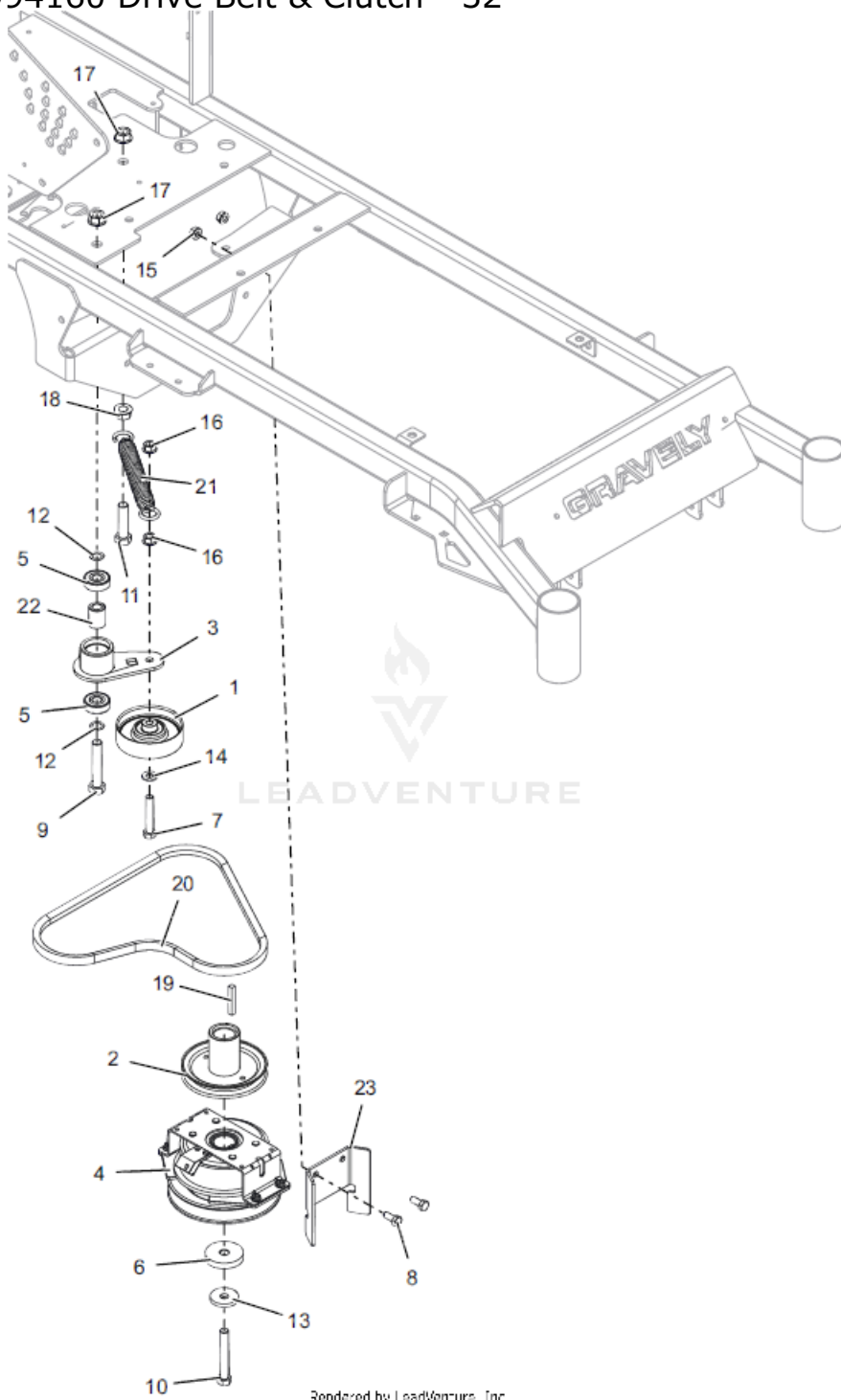
Rendered by LeadVenture, Inc.



AGU994160 Discharge Chute - 32"

Ref Number	Part Number	Part Description	Context Notes	Quantity
1	AGP04873751	48-60 DISCH CHUTE CLMP PLT-BLK		1
2	AGP04881200	CHUTE,48-60" FRMD RUBBER DISCH		1
3	AGP05500435	BSHG-FLG .385X.500X.875X.406		2
4	AGP06200235	BLT,RHSSN .38-16X1.00 G5 ZCC		5
5	AGP06200237	BLT,RHSSN .31-18X1.00 G5 ZCC		2
6	AGP06500840	NUT,LK-CTR-FLG .31-18 GF ZCC		2
7	AGP06500901	NUT-LK-CTR-FLG .375-16 GF ZCC		5
8	AGP09668553	BRKT, 32" CHUTE MTG (RED)		1
9	AGP59407600	32" DISCH CHUTE MTG W/ SAFETY DECALS		1

AGU994160 Drive Belt & Clutch - 32"

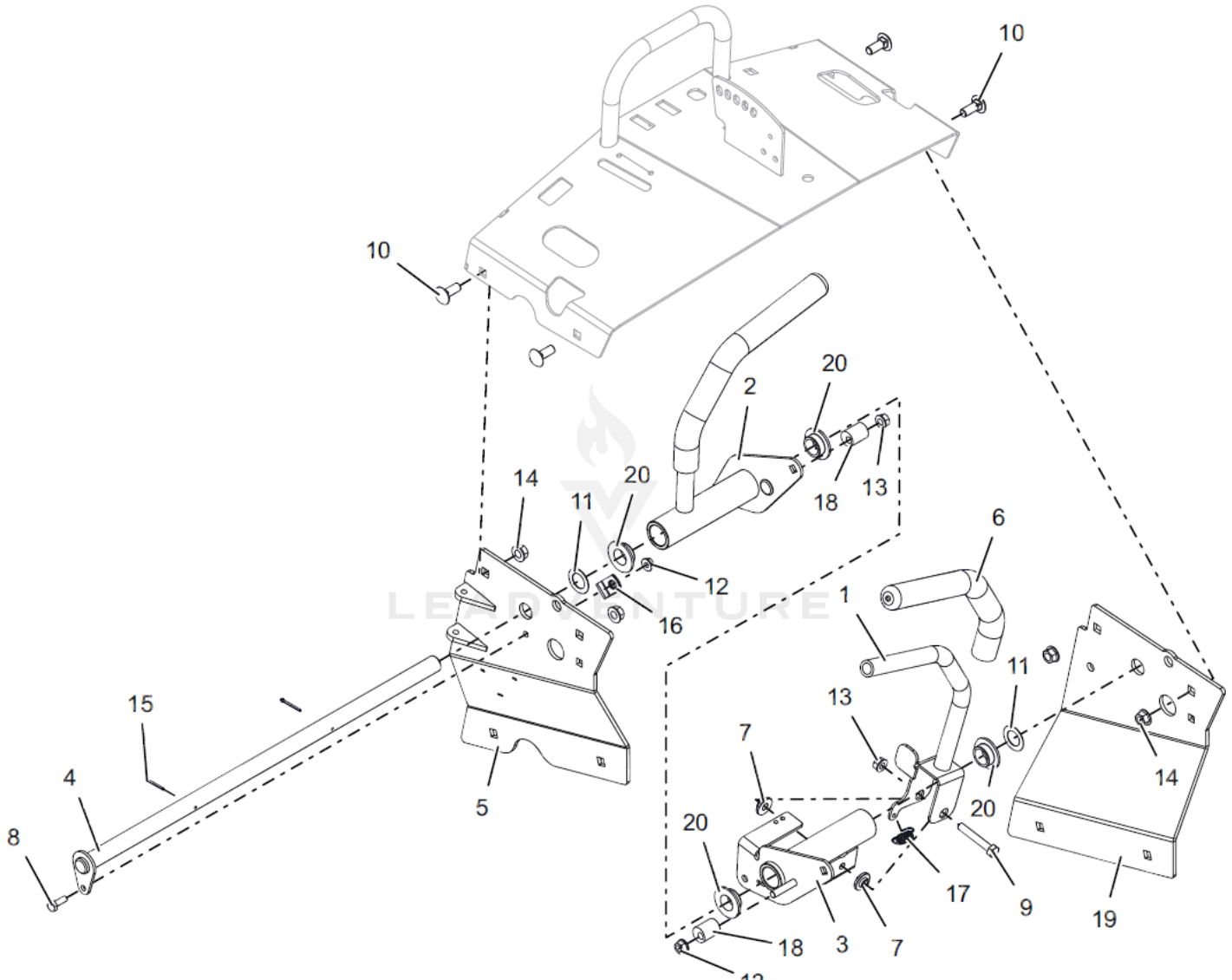


AGU994160 Drive Belt & Clutch - 32"

Ref Number	Part Number	Part Description	Context Notes	Quantity
1	AGP07341100	IDLER, FLAT 3.5" NO FLANGES		1
2	AGP07348600	SHEAVE, ENGINE 4.50 X 1.127		1
3	AGP09487600	WLDMT, 32" IDLER ARM		1
4	AGP05163000	CLUTCH, OGURA GT1.5-AR11(D)		1
5	AGP05408000	BRG-BALL .500X1.38X.437		2
6	AGP05501240	SPACER, .474/.459X2.00X.350		1
7	AGP05901640	BLT,HEX .38-16X2.25 G5 ZCC		1
8	AGP05901704	BLT,HEX .31-18X.75 G5 ZCC		2
9	AGP05901720	BLT,HEX .50-13X2.75 G5 ZCC		1
10	AGP05901819	BLT, HEX 0.4375-20X3 G8 ZCC NT		1
11	AGP05901929	BLT, HEX .50-13X2.00 G5 ZCC		1
12	AGP06400015	WASHER, .500X.750X.020 THRUST		2
13	AGP06400936	WASHER, 7/16" SPRING DISK		1
14	AGP06401013	WSHR,FLT .406X.812X.065 ZCC		1
15	AGP06500840	NUT,LK-CTR-FLG .31-18 GF ZCC		2
16	AGP06500901	NUT-LK-CTR-FLG .375-16 GF ZCC		2
17	AGP06500902	NUT-LK-CTR-FLG .500-13 GG ZCC		2
18	AGP06500928	NUT, SPNLK-FLG .50-13 G5 ZCC		1
19	AGP06601800	KEY-STR .25X1.75X.25		1

Ref Number	Part Number	Part Description	Context Notes	Quantity
20	AGP07200918	BELT, HA SECTION		1
21	AGP08300728	SPRING- EXTENSION		1
22	AGP09357700	SPACER .510 X .75 X 1.1485		1
23	AGP09495853	BRKT, CLUTCH STOP (RED)		1

AGU994160 Drive Controls - 32"

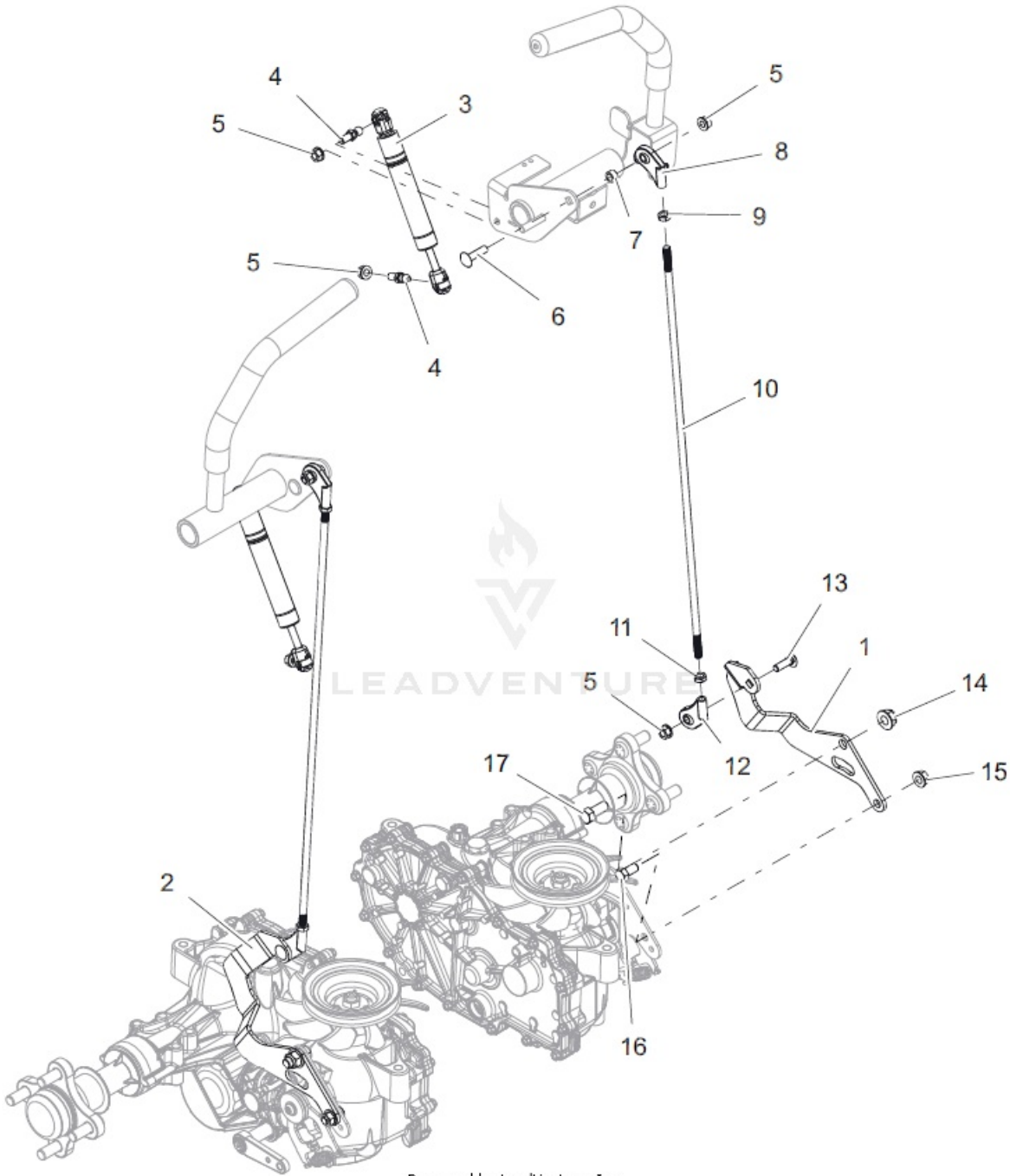


Rendered by LeadVenture, Inc.

AGU994160 Drive Controls - 32"

Ref Number	Part Number	Part Description	Context Notes	Quantity
1	AGP09487951	WLDMT, LH STEERING CONTROL (BLACK)		1
2	AGP09488051	WLDMT, RH STEERING CONTROL (BLACK)		1
3	AGP09488151	WLDMT, LH STEERING CONTROL PIVOT (BLACK)		1
4	AGP09489000	WLDMT, STEERING CONTROL PIVOT SHAFT		1
5	AGP09489253	WLDMT, 32" TOWER RH SUPPORT (RED)		1
6	AGP00675200	GRIP, HANDLEBAR		2
7	AGP01305900	BSHG, FLG .325X.499X.26X.88		2
8	AGP05901716	BLT, HEX .25-20X.75 G5 ZCC		1
9	AGP05901805	BLT, HEX .31-18X2.00 G5 ZCC		1
10	AGP06200313	BLT, RHSN .38-16X1.00 G5 ZCC		4
11	AGP06401136	WSHR-FL-STL 0.76X1.225X0.032 ZCC		2
12	AGP06500821	NUT-LK-CTR-FLG .25-20 ZC120		1
13	AGP06500840	NUT,LK-CTR-FLG .31-18 GF ZCC		3
14	AGP06500901	NUT-LK-CTR-FLG .375-16 GF ZCC		4
15	AGP06700200	PIN-COTR .09X1.0 PL		2
16	AGP06900036	CLAMP, CUSHIONED		1
17	AGP08300036	SPRING, EXT. .043X.438X1.64		1
18	AGP09235700	ECCENTRIC		2
19	AGP09679753	SUPPORT, 32" TOWER LH (RED)		1
20	AGP05501517	BSHG, FLANGED .762 X 1.48 X .44 IGLIDER		4

AGU994160 Drive Controls (Continued)

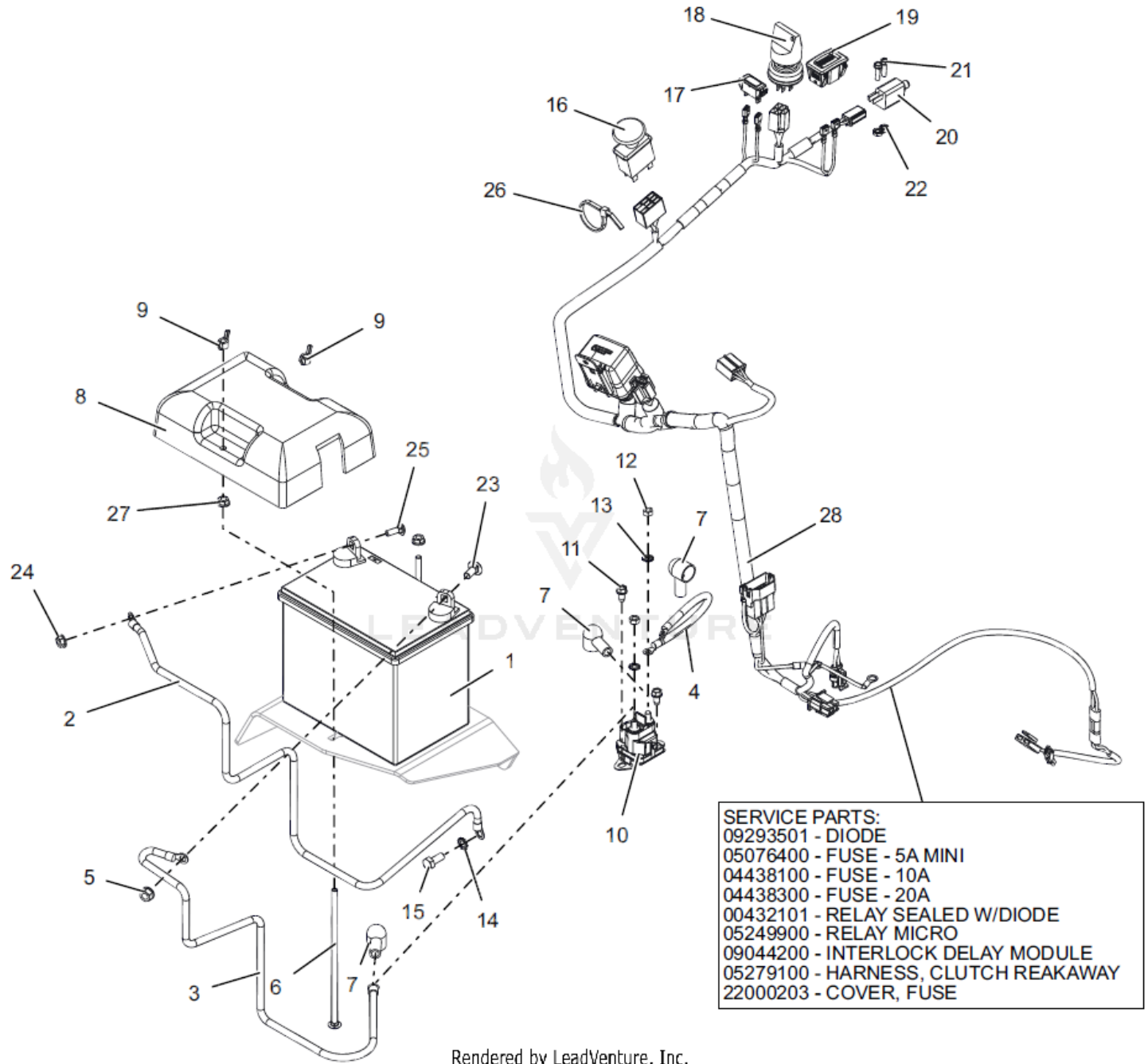


Rendered by Leadventure, Inc.

AGU994160 Drive Controls (Continued)

Ref Number	Part Number	Part Description	Context Notes	Quantity
1	AGP09655851	ARM, LH DRIVE CONTROL (BLACK)		1
2	AGP09655351	ARM, RH DRIVE CONTROL (BLACK)		1
3	AGP30151500	DAMPER, CONTROL		2
4	AGP03652200	STUD- BALL		4
5	AGP06500840	NUT,LK-CTR-FLG .31-18 GF ZCC		8
6	AGP06200310	BTL,RHSSN .313-18 X 1.25 G5 ZCC		2
7	AGP05501408	SPCR- SLV .344 X .500 X .283		2
8	AGP09158500	END, ROD 5/16-24 RH		2
9	AGP06500923	NUT-JAM .312-24 ZCC		2
10	AGP09655600	ROD, STEERING		2
11	AGP06501002	NUT, JAM-LH .312-24 ZCC		2
12	AGP09158600	END, ROD 5/16-24 LH		2
13	AGP06200237	BLT,RHSSN .31-18X1.00 G5 ZCC		2
14	AGP06500811	NUT,NYL-FLG .44-14 GF ZCC		2
15	AGP06500901	NUT-LK-CTR-FLG .375-16 GF ZCC		2
16	AGP05901702	BLT,HEX .38-16X.75 G5 ZCC		2
17	AGP05901913	BLT, HEX 0.4375-14X1 GR5 ZCC		2

AGU994160 Electrical



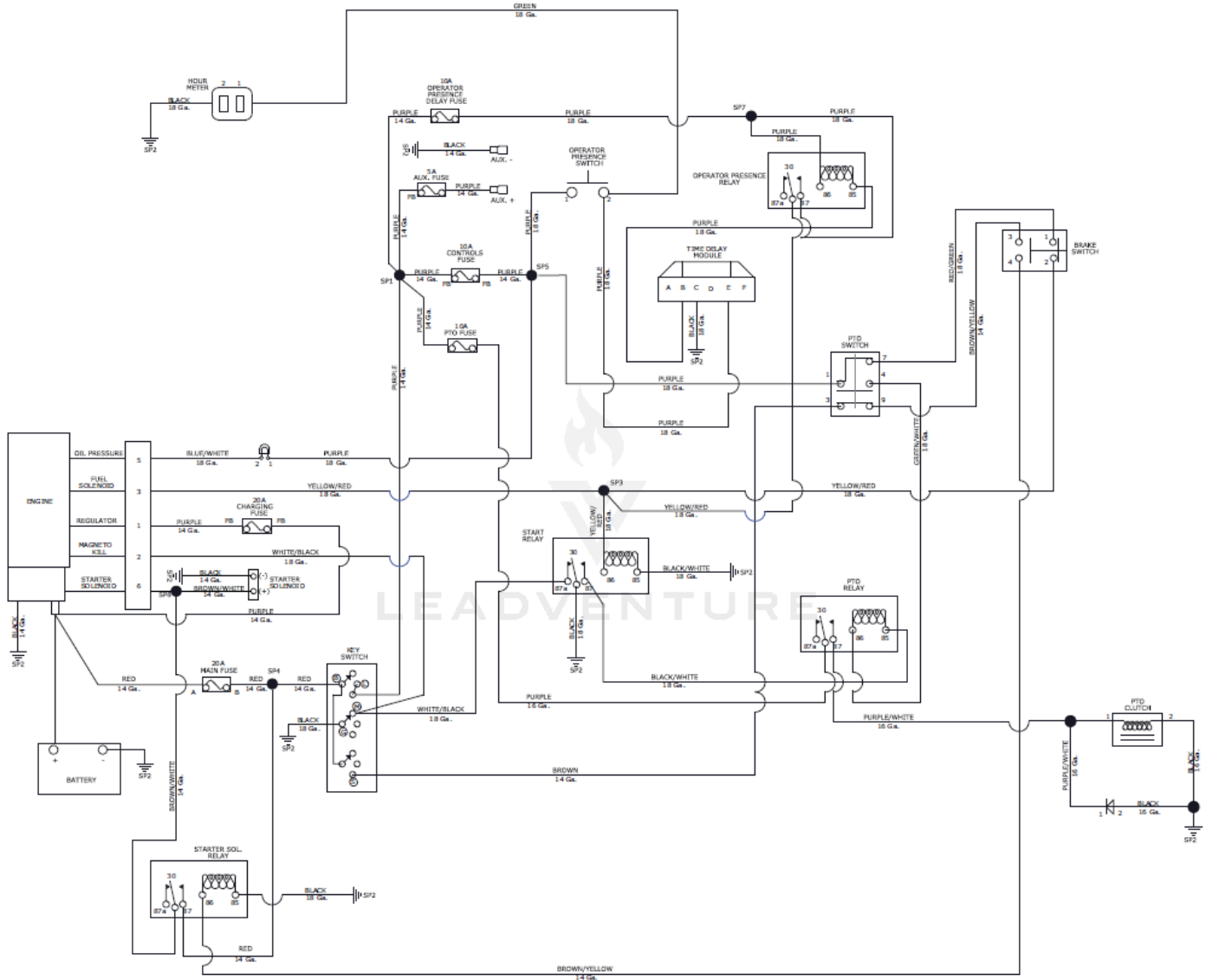
Rendered by LeadVenture, Inc.

AGU994160 Electrical

Ref Number	Part Number	Part Description	Context Notes	Quantity
1	AGP01554800	BATTERY, 300 CCA 10U1L		1
2	AGP09449500	CABLE, GROUND		1
3	AGP09449300	CABLE, BATTERY		1
4	AGP03286000	CABLE-POSITIVE BATTERY 9.00"		1
5	AGP06500815	NUT,SPNLK-FLG .31-18 G5 ZCC		1
6	AGP06200424	BTL,RHSN .250-20 X 7.5 G5 ZCC		2
7	AGP07533200	BOOT, EYELET TERMINAL		3
8	AGP04912900	COVER, BATTERY		1
9	AGP06500805	NUT, LK-WING .25-20 ZCC		2
10	AGP04781700	SOLENOID, STARTER (SEALED)		1
11	AGP07400122	SCR-TAP .25-20X.50 HWH ZCC		2
12	AGP06500925	NUT-STD M6-1.0 ZCC		2
13	AGP06300118	WSHR,LK-EXT.262X.502X.026 ZCC		2
14	AGP06300125	WSHR-LK-EXT 0.326X0.599X0.031 ZCC		1
15	AGP05901628	BLT, HEX M8-1.25X20 G8.8 ZCC		1
16	AGP01545600	SWITCH, CLUTCH		1
17	AGP05128700	LIGHT, INDICATOR (RED)		1
18	AGP04331600	SWITCH, IGNITION		1
19	AGP09497400	METER, HOUR - NO PRINT		1
20	AGP03657100	SWITCH- SINGLE POLE N.O.		1
21	AGP05901837	BLT, HWH #10-24X.75 ZCC		2
22	AGP06500934	NUT-KEPS 10-24		2
23	AGP06200232	BLT,RHSN .31-18X.75 G5 ZCC		1
24	AGP06500824	NUT-SPNLK-FLG .25-20 ZC120		1
25	AGP06200307	BLT, RHSN .25-20X.750 G5 ZCC		1
26	AGP07517300	CABLE TIE LG 5-1/2		1
27	AGP06500821	NUT-LK-CTR-FLG .25-20 ZC120		2

Ref Number	Part Number	Part Description	Context Notes	Quantity
28	AGP09445900	HARNESS, MAIN-ECON PRO-STANCE		1
29	AGP09293501	DIODE, CONNECTOR SHELL	SERVICE PART	1
30	AGP05076400	FUSE, 5 AMP MINI-ATC	SERVICE PART	1
31	AGP04438100	FUSE,10 AMP MINI-ATC	SERVICE PART	1
32	AGP04438300	FUSE,20 AMP MINI ATC	SERVICE PART	1
33	AGP00432101	RELAY SEALED W/ DIODE	SERVICE PART	1
34	AGP05249900	RELAY,SPNO,SEALED,ISO280,RESIS	SERVICE PART	1
35	AGP09044200	MODULE,INTERLOCK,DELAY, 1801	SERVICE PART	1
36	AGP05279100	HARNESS, CLUTCH BREAKAWAY	SERVICE PART	1
37	AGP22000203	COVER, FUSE	SERVICE PART	1

AGU994160 Electrical Diagram



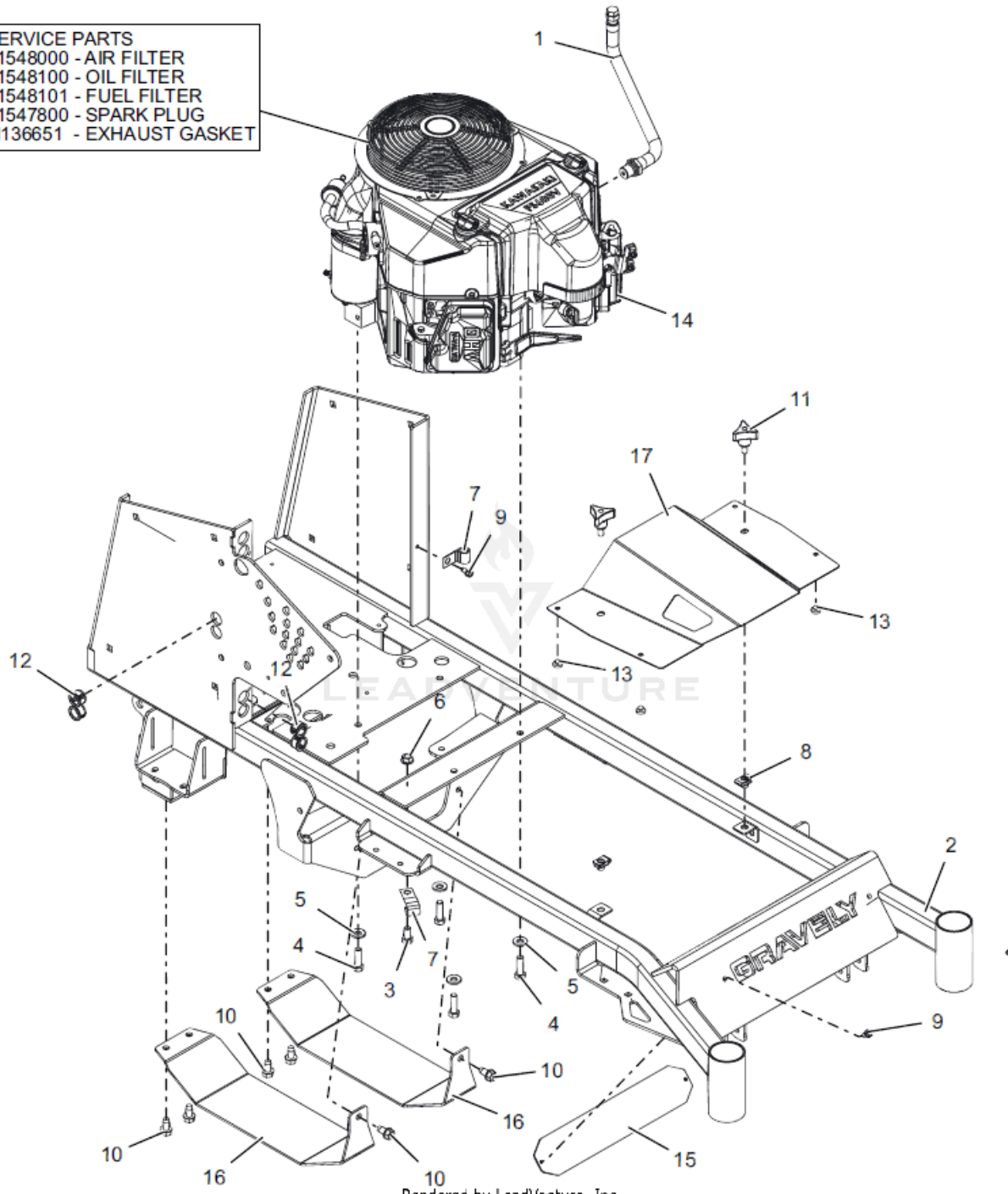
Rendered by LeadVenture, Inc.

AGU994160 Electrical Diagram

Ref Number	Part Number	Part Description	Context Notes	Quantity
-------------------	--------------------	-------------------------	----------------------	-----------------

AGU994160 Engine & Frame - 32"

- SERVICE PARTS
- 21548000 - AIR FILTER
- 21548100 - OIL FILTER
- 21548101 - FUEL FILTER
- 21547800 - SPARK PLUG
- M136651 - EXHAUST GASKET



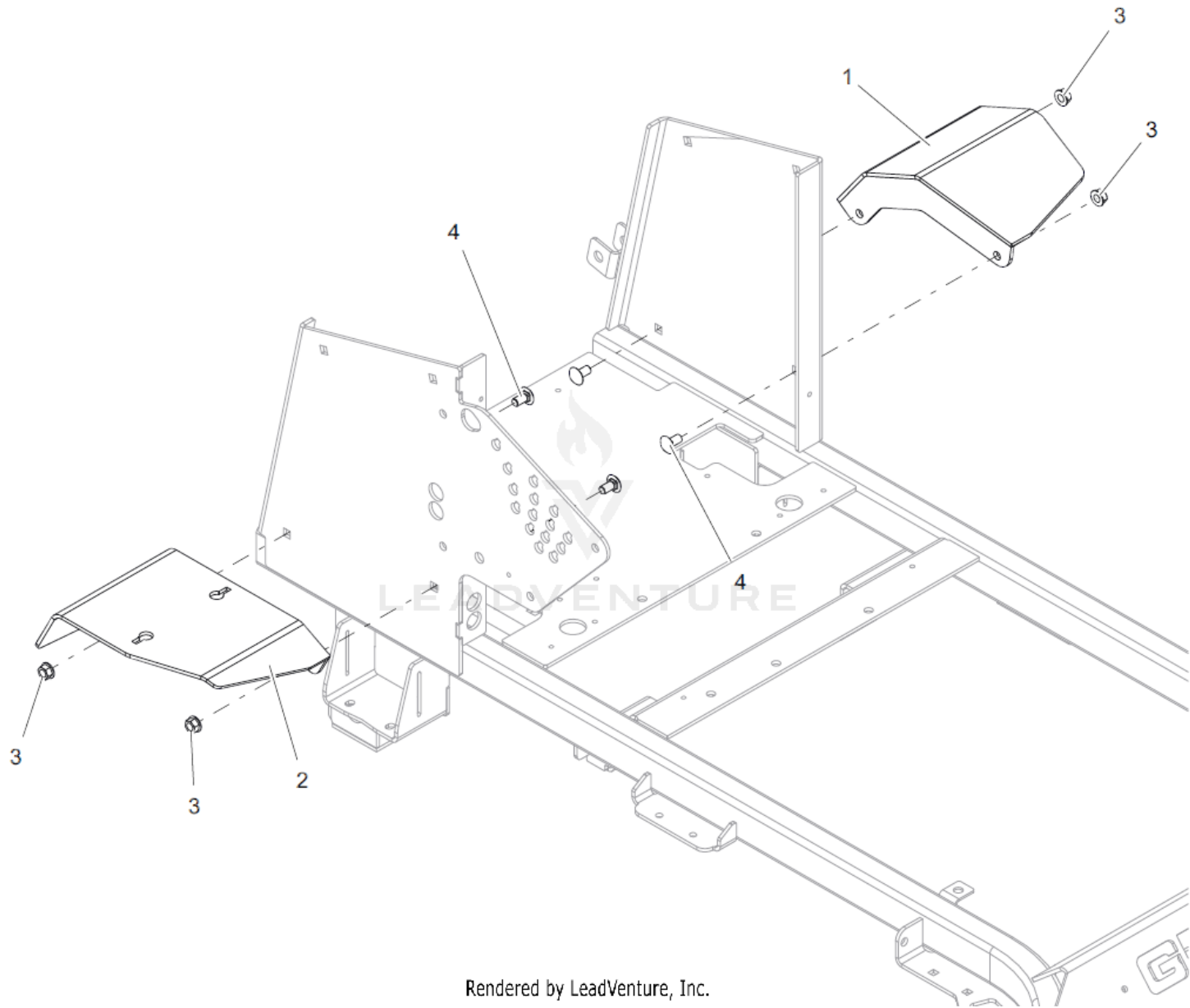
Rendered by LeadVenture, Inc.

AGU994160 Engine & Frame - 32"

Ref Number	Part Number	Part Description	Context Notes	Quantity
1	AGP07001730	HOSE, OIL DRAIN		1
2	AGP59407000	32" MAIN FRAME WLDMT W/ SAFETY DECALS		1
3	AGP05901702	BLT,HEX .38-16X.75 G5 ZCC		1
4	AGP05901808	BLT, HEX .38-16X1.25 G5 ZCC NT		4
5	AGP06400927	WASHER, 3/8" SPRING DISC		4
6	AGP06500901	NUT-LK-CTR-FLG .375-16 GF ZCC		1
7	AGP06916000	J-CLAMP		2
8	AGP07000829	NUT-CLIP RETAINER 5/16- 18X.56		2
9	AGP07400122	SCR-TAP .25-20X.50 HWH ZCC		3
10	AGP07400129	SCR,TAP .375-16X.75 HWH TR ZCC		6
11	AGP07500008	KNOB,WING STUD 5/16-18 X .75		2
12	AGP07500126	BUSH, PANEL SNAP .687X.875X.56		4
13	AGP07503100	BUMPER GROMMET		4
14	AGP08200921	ENG. KAW FS600		1
15	AGP09495751	PLATE, BUMPER LOGO BACKING (BLACK)		1
16	AGP09496451	BRKT, 32" SKID PLATE (BLACK)		2
17	AGP59406700	32" BELT COVER W/ SAFETY DECALS		1
18	AGP21548000	AIR FILTER, KAWASAKI FR	SERVICE PART	1
19	AGP21548100	OIL FILTER, KAWASAKI FR	SERVICE PART	1
20	AGP21548101	FUEL FILTER-KAWASAKI FR	SERVICE PART	1

Ref Number	Part Number	Part Description	Context Notes	Quantity
21	AGP21547800	SPARK PLUG	SERVICE PART	1
22	AGPM136651	GASKET, MUFFLER #	SERVICE PART	1

AGU994160 Fenders

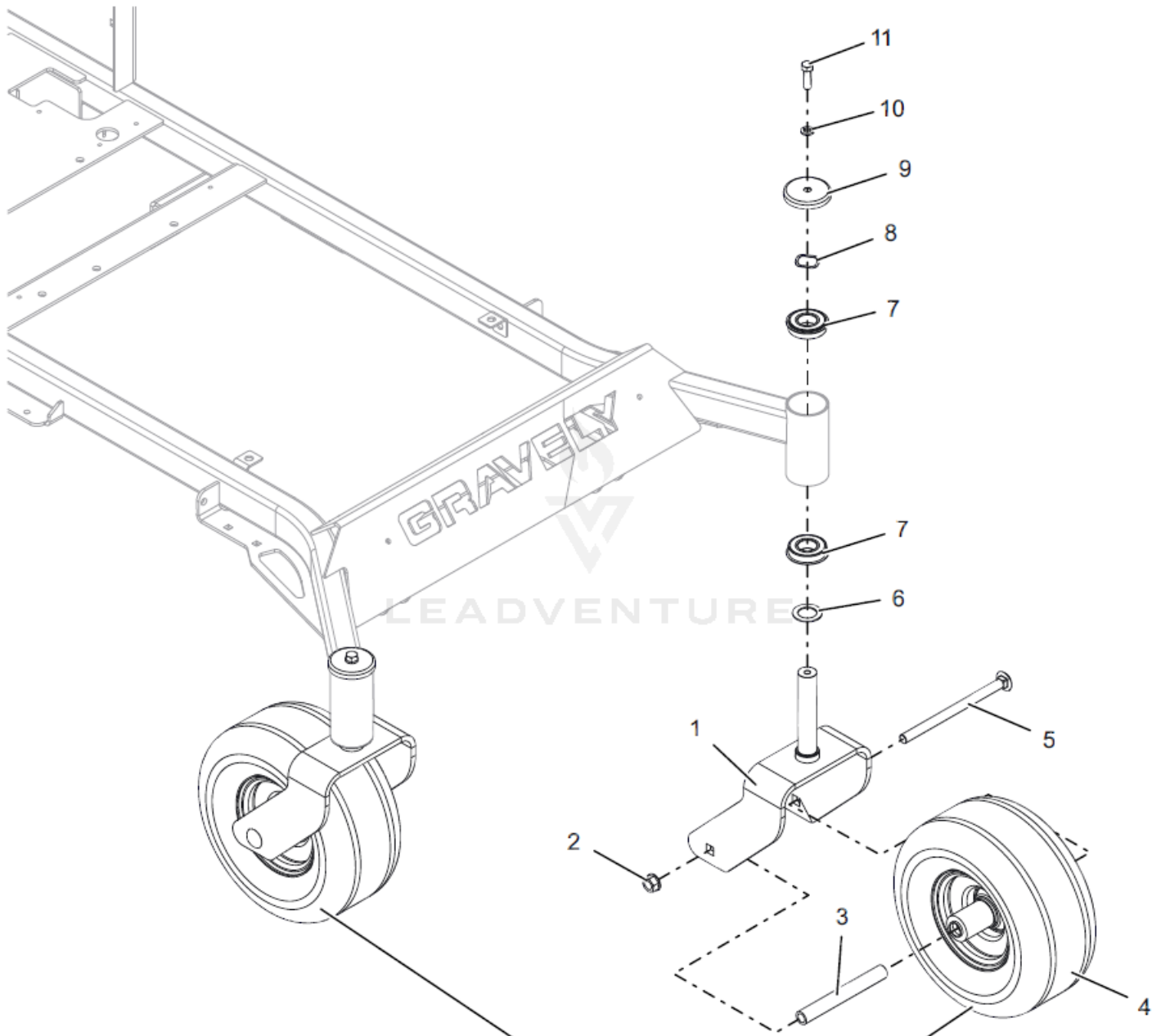


Rendered by LeadVenture, Inc.

AGU994160 Fenders

Ref Number	Part Number	Part Description	Context Notes	Quantity
1	AGP09495953	WLDMT, LH FENDER (RED)		1
2	AGP09487853	WLDMT, RH FENDER/BATTERY MTG (RED)		1
3	AGP06500901	NUT-LK-CTR-FLG .375-16 GF ZCC		4
4	AGP06200336	BLT, RHSSN .38-16X.75 G5 ZCC		4

AGU994160 Front Casters



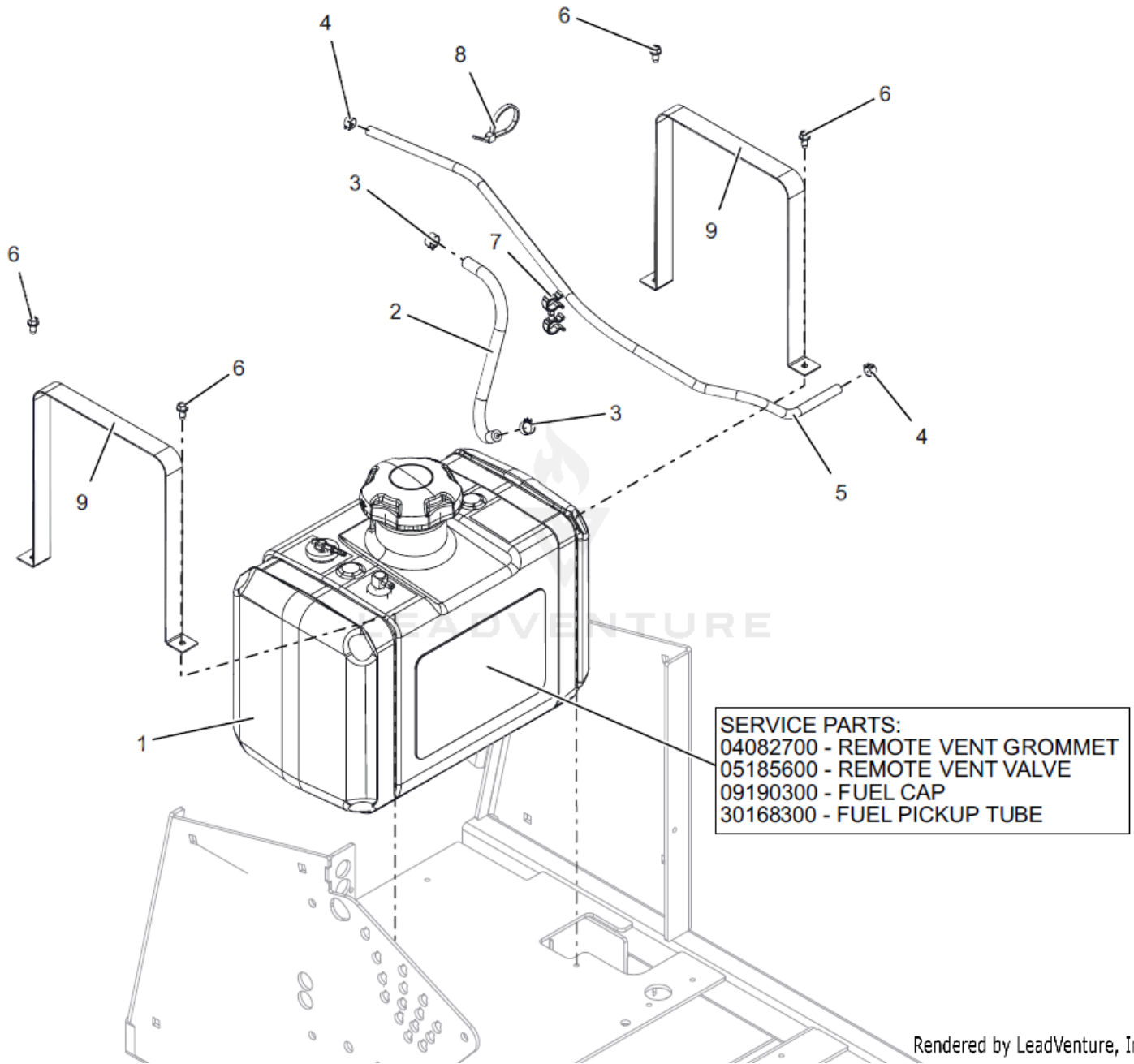
05400810 - BRG, .75 ID X 1.375 OD
07101236 - TIRE, 11 X 6-5 TURF TREAD

Rendered by LeadVenture, Inc.

AGU994160 Front Casters

Ref Number	Part Number	Part Description	Context Notes	Quantity
1	AGP09488353	WLDMT, CASTER FORK (RED)		2
2	AGP06500902	NUT-LK-CTR-FLG .500-13 GG ZCC		2
3	AGP00853400	SPACER, FRONT WHEEL (WIDE 6.0)		2
4	AGP07101505	ASSM TIRE/WHEEL, 11 X 6.00-5		2
5	AGP06200320	BLT, RHSN .50-13X7.50 G5 ZCC		2
6	AGP06416600	WSHR-HRD-THRS 1.007X1.542X.062		2
7	AGP05400728	BEARING, BALL -2.000 OD X 1.000 ID X .5625 W/RING		4
8	AGP06401030	WSHR-WAVE 1.0X1.25X.028 .145FH		2
9	AGP05198400	SHIELD, AXLE BEARING		2
10	AGP06300116	WSHR,LK-REG .375X.094 ZCC		2
11	AGP05901724	BLT, HEX .38-16X1.25 G5 ZCC		2
12	AGP05400810	BRG, .75 ID X 1.375 OD	SERVICE PART	2
13	AGP07101236	TIRE, 11X6-5 Smooth	SERVICE PART	2

AGU994160 Fuel System



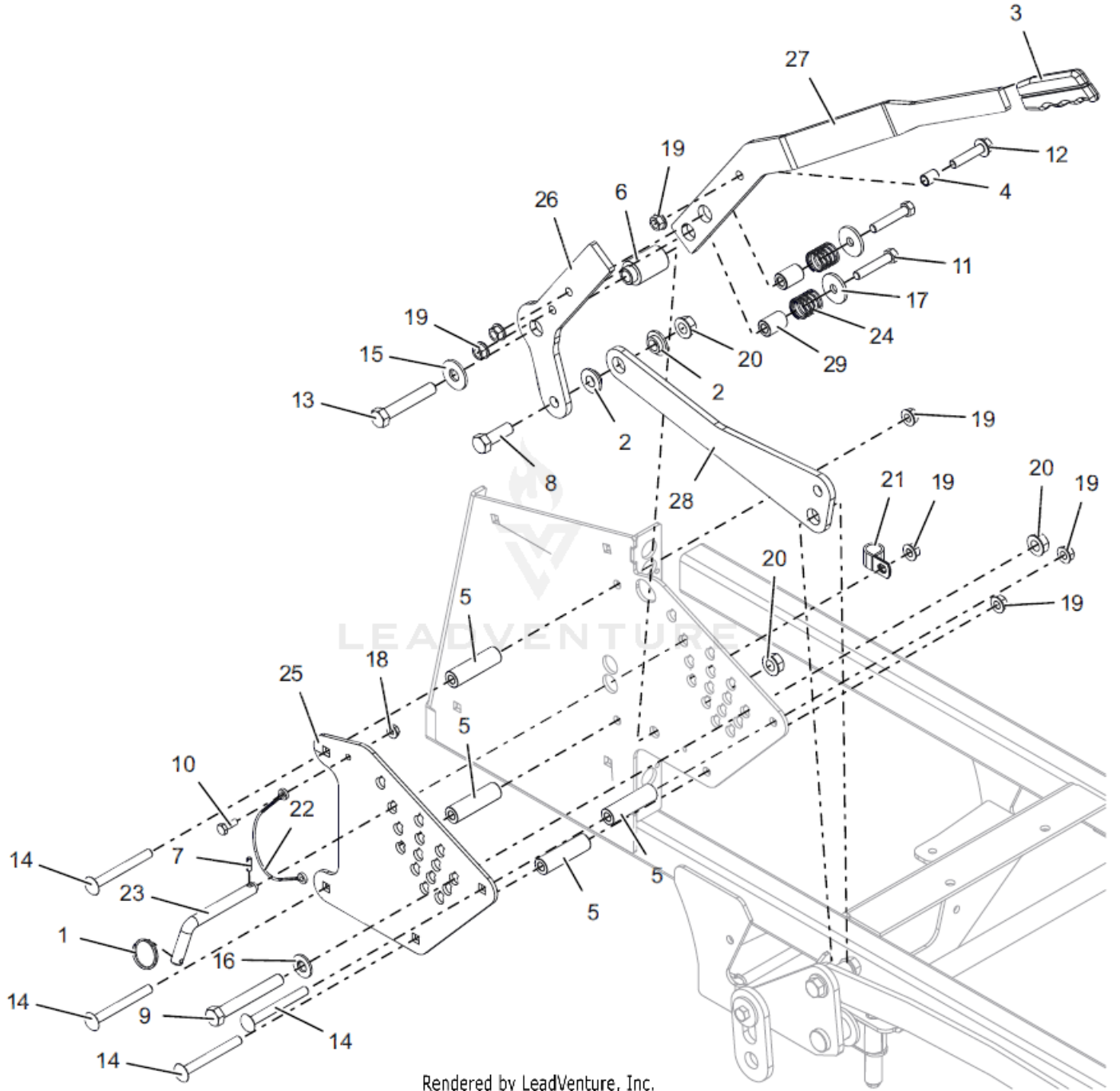
SERVICE PARTS:
04082700 - REMOTE VENT GROMMET
05185600 - REMOTE VENT VALVE
09190300 - FUEL CAP
30168300 - FUEL PICKUP TUBE

Rendered by LeadVenture, Inc.

AGU994160 Fuel System

Ref Number	Part Number	Part Description	Context Notes	Quantity
1	AGP09658000	ASM, FUEL TANK 5-GAL (SEMCO)		1
2	AGP03278100	1 INCH OF HOSE, .25 LOW-PERM BULK GAS		1
3	AGP03278800	CLAMP, FUEL LINE		2
4	AGP04097700	CLAMP-HOSE, SPRING .188		2
5	AGP04745900	HOSE, .188 30R7 BULK		1
6	AGP07400122	SCR-TAP .25-20X.50 HWH ZCC		4
7	AGP07500516	CLIP, 360 DEGREE SWIVEL .500 DIA HOSE		1
8	AGP07517300	CABLE TIE LG 5-1/2		1
9	AGP09658100	STRAP, TANK		2
10	AGP04082700	GROMMET, REMOTE VENT NITRILE	SERVICE PART	1
11	AGP05185600	VALVE, COMBINATION VENT 3/16	SERVICE PART	1
12	AGP09190300	CAP, FUEL - 3.50 RATCHET INLET VENT	SERVICE PART	1
13	AGP30168300	FUEL PICKUP TUBE	SERVICE PART	1

AGU994160 Height Of Cut - 32"



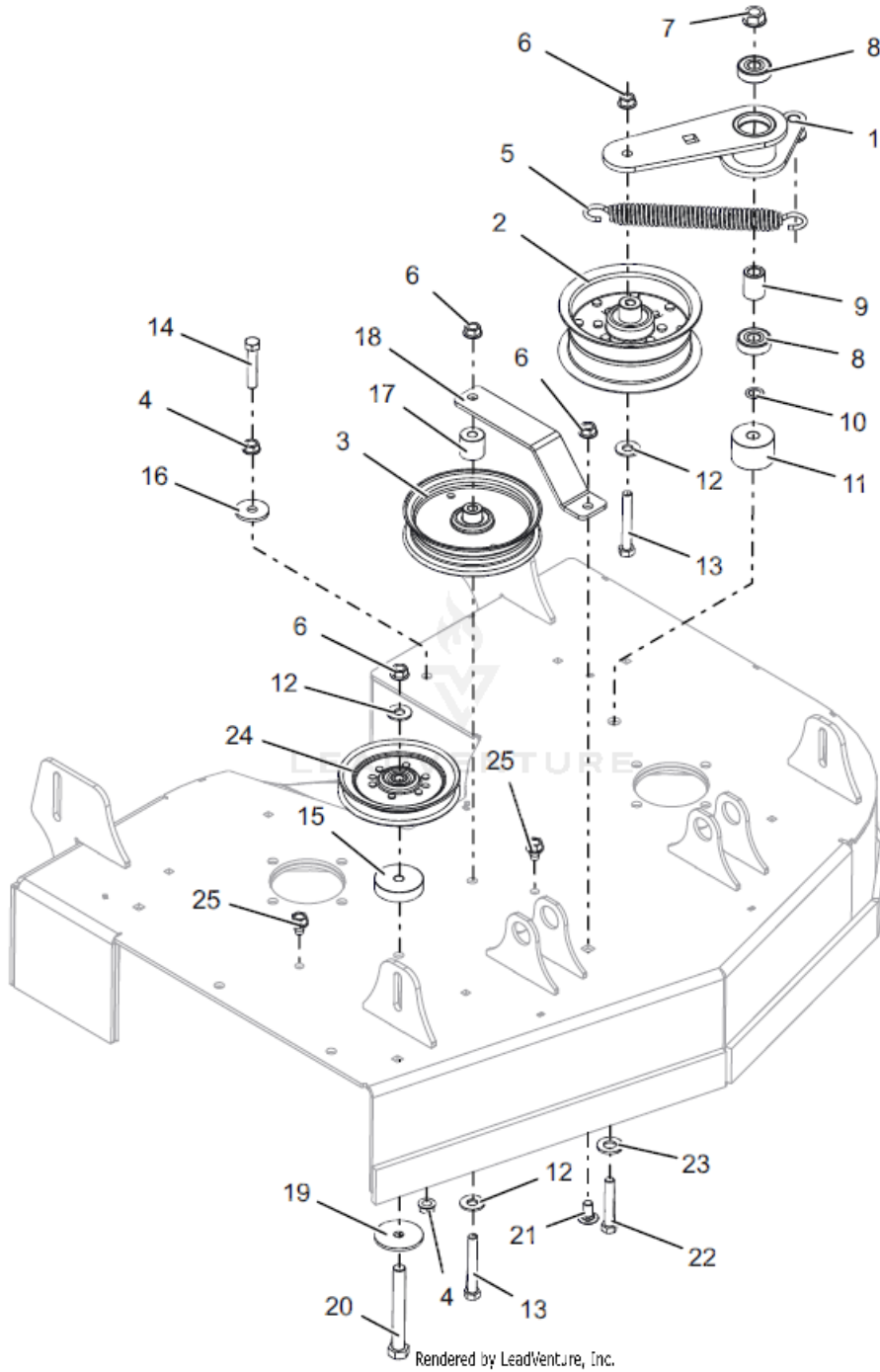
Rendered by LeadVenture, Inc.

AGU994160 Height Of Cut - 32"

Ref Number	Part Number	Part Description	Context Notes	Quantity
1	AGP00967057	RING, WIRE (SPLIT)		1
2	AGP03989100	BSHG-FLG .515X.750X.310X1.120		2
3	AGP05097200	GRIP, PARKING		1
4	AGP05501226	SPCR, SLV .385X.500X.652		1
5	AGP05501503	SPCR, .390" ID .750 OD X 2.646		4
6	AGP05501507	BSHG, SLV 1.125 X 0.515 X 2.013		1
7	AGP05806200	PIN, SPRG .188 X .625		1
8	AGP05901631	BLT,HEX .50-13X1.50 G5 ZCC		1
9	AGP05901703	BLT,HEX .50-13X3.75 G5 ZCC		1
10	AGP05901716	BLT, HEX .25-20X.75 G5 ZCC		1
11	AGP05901718	BLT,HEX .38-16X2.00 G5 ZCC		2
12	AGP05901719	BLT,HEX-FLG .38-16X1.75 G5 ZCC		1
13	AGP05901737	BLT, HEX .50-13X3.00 G5 ZCC		1
14	AGP06200238	BLT,RHSSN .38-16X3.50 G5 ZCC		4
15	AGP06401012	WSHR,FLT .563X1.375X.109 ZCC		1
16	AGP06401015	WSHR,FLT .531X1.062X.095 ZCC		1
17	AGP06401121	WSHR,FLT .406X1.375X.135 ZCC		2
18	AGP06500821	NUT-LK-CTR-FLG .25-20 ZC120		1
19	AGP06500901	NUT-LK-CTR-FLG .375-16 GF ZCC		7
20	AGP06500902	NUT-LK-CTR-FLG .500-13 GG ZCC		3
21	AGP06900036	CLAMP, CUSHIONED		1
22	AGP06900317	CABLE, 12.0 LANYARD, NYLON		1

Ref Number	Part Number	Part Description	Context Notes	Quantity
23	AGP07500517	PIN, HOC SELECTOR/PLTFRM LOCK		1
24	AGP08300727	SPRG, COMPRESSION		2
25	AGP09496553	PLATE, HOC PIN LOCATOR (RED)		1
26	AGP09496651	PLATE, HANDLE BASE (BLACK)		1
27	AGP09497151	HANDLE, DECK LIFT UPPER (BLACK)		1
28	AGP09499351	PLATE, DECK HEIGHT MECHANISM (BLACK)		1
29	AGP09655700	SPCR, .750 OD X .390 ID X 1.063		2

AGU994160 Idlers & Sheaves - 32"



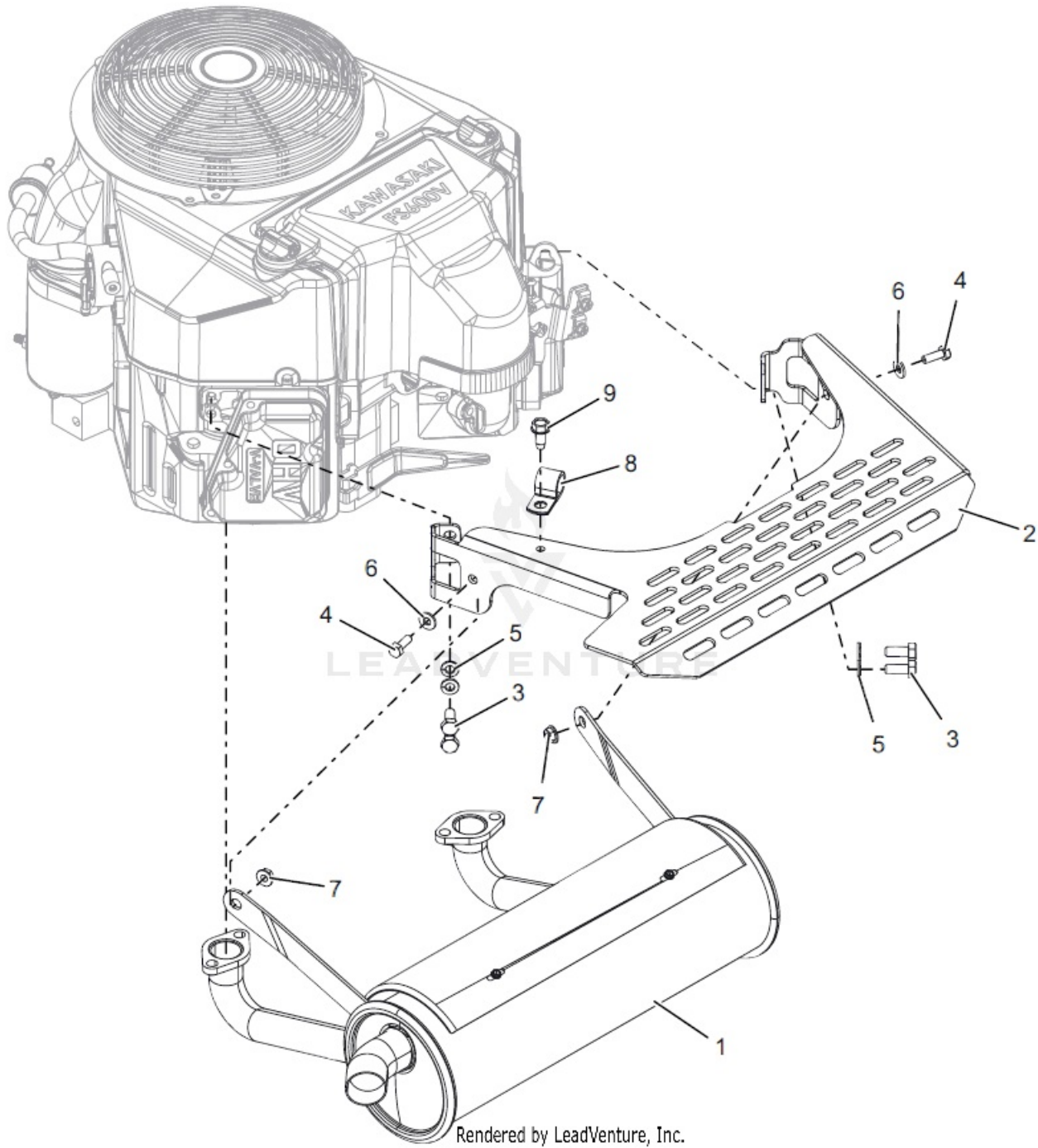
Rendered by LeadVenture, Inc.

AGU994160 Idlers & Sheaves - 32"

Ref Number	Part Number	Part Description	Context Notes	Quantity
1	AGP09667900	WLDMT, 32" DECK IDLER ARM		1
2	AGP07300532	PULLEY, FLAT 5.00X2.36X.375		1
3	AGP07351200	IDLER- FLAT - 5.00" X .75"		1
4	AGP06500735	NUT, SPNLK-FLG .38-16 G5 ZCC		2
5	AGP08300728	SPRING- EXTENSION		1
6	AGP06500901	NUT-LK-CTR-FLG .375-16 GF ZCC		4
7	AGP06500902	NUT-LK-CTR-FLG .500-13 GG ZCC		1
8	AGP05408000	BRG-BALL .500X1.38X.437		2
9	AGP09357700	SPACER .510 X .75 X 1.1485		1
10	AGP06400015	WASHER, .500X.750X.020 THRUST		1
11	AGP05501513	SPCR, DECK IDLER ARM		1
12	AGP06401008	WSHR,FLT .438X1.00X.083 ZCC		3
13	AGP05901611	BLT, HEX .38-16X2.75 G5 ZCC		2
14	AGP05901718	BLT,HEX .38-16X2.00 G5 ZCC		1
15	AGP30154200	SPCR, .380 X 2.000 X .500		1
16	AGP06401121	WSHR,FLT .406X1.375X.135 ZCC		1
17	AGP05501514	BUSHING, SLV .380 X 1.000 X .960		1
18	AGP09667853	BRKT, 32" FIXED IDLER MTG (RED)		1
19	AGP06401221	WSHR-FL-STL 0.406X2X0.125 ZCC		1
20	AGP05901734	BLT, HEX .50-13X4.00 G5 ZCC		1

Ref Number	Part Number	Part Description	Context Notes	Quantity
21	AGP06200336	BLT, RHSSN .38-16X.75 G5 ZCC		1
22	AGP05901640	BLT,HEX .38-16X2.25 G5 ZCC		1
23	AGP06401015	WSHR,FLT .531X1.062X.095 ZCC		1
24	AGP07351800	IDLER, V, 5.00X.38		1
25	AGP07400126	SCR,TAP .375-16X.50 HWH TR ZCC		2

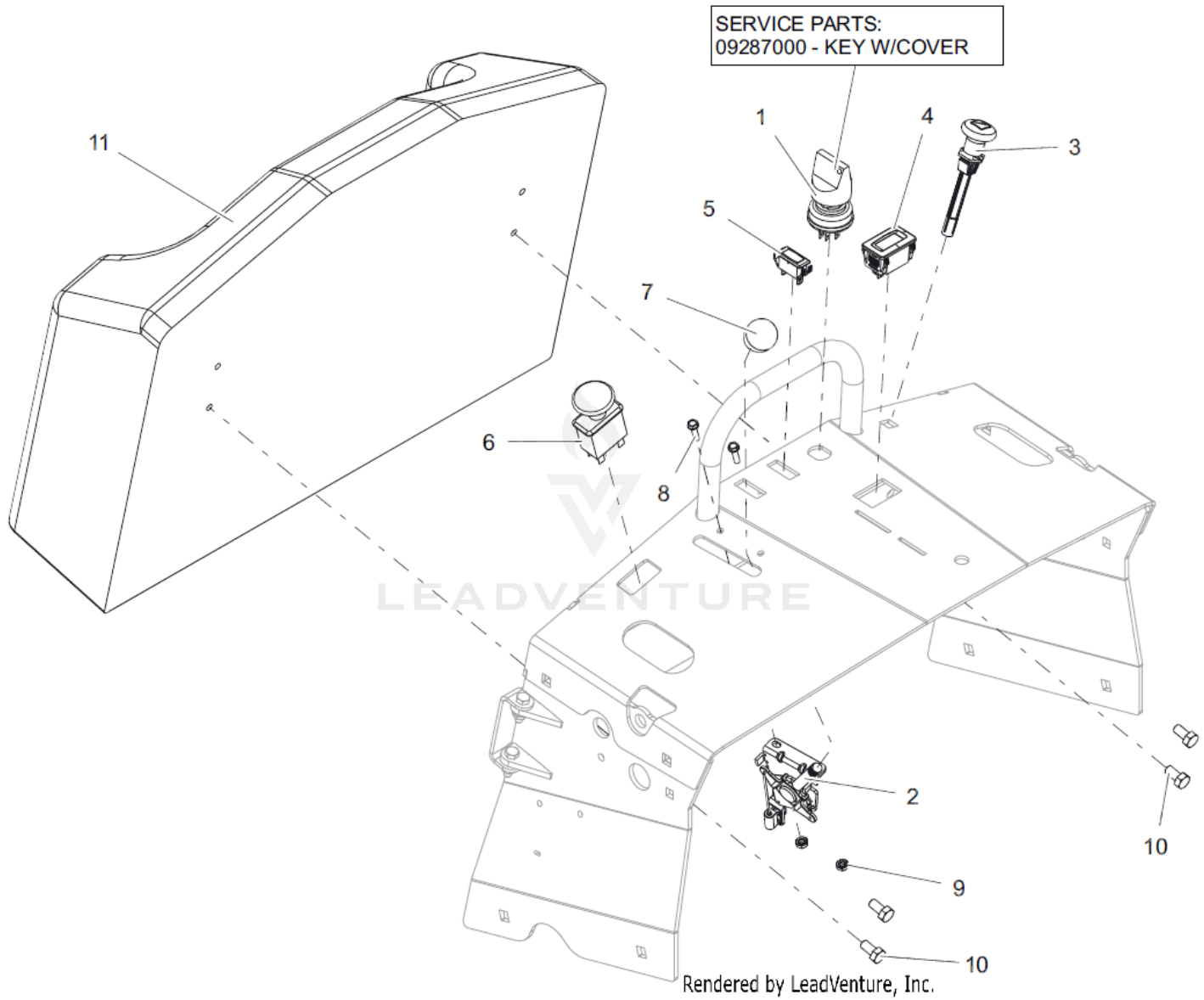
AGU994160 Muffler - 32"



AGU994160 Muffler - 32"

Ref Number	Part Number	Part Description	Context Notes	Quantity
1	AGP04375200	EXHAUST, KAWASAKI FS		1
2	AGP04676751	SHIELD, MUFFLER-BLACK		1
3	AGP05901628	BLT, HEX M8-1.25X20 G8.8 ZCC		4
4	AGP05901716	BLT, HEX .25-20X.75 G5 ZCC		2
5	AGP06300119	WSHR,LK-REG .312X.078 ZCC		4
6	AGP06401001	WSHR,FLT .281X.625X.065 ZCC		2
7	AGP06500821	NUT-LK-CTR-FLG .25-20 ZC120		2
8	AGP06900036	CLAMP, CUSHIONED		1
9	AGP07400127	SCR,TAP .312-18X.75 HWH TR ZCC		1

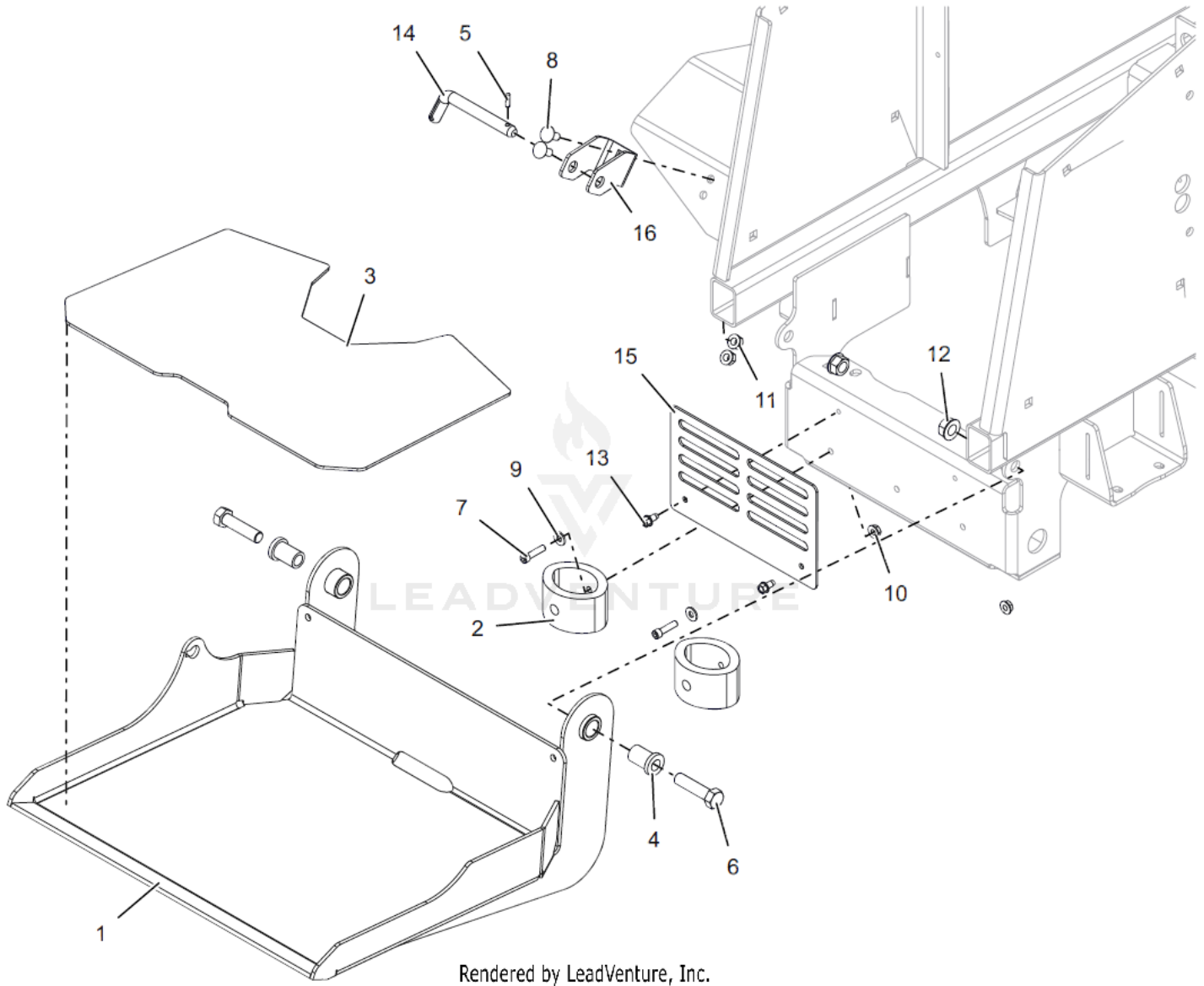
AGU994160 Operator Pad & Switches



AGU994160 Operator Pad & Switches

Ref Number	Part Number	Part Description	Context Notes	Quantity
1	AGP04331600	SWITCH, IGNITION		1
2	AGP06900717	CABLE, PROSTANCE - CONTROL 43"		1
3	AGP06900408	CABLE, CHOKE (SNAP IN)		1
4	AGP05254800	HOUR METER		1
5	AGP05128700	LIGHT, INDICATOR (RED)		1
6	AGP01545600	SWITCH, CLUTCH		1
7	AGP07500132	KNOB-CONTROL-BLACK .38-16X.50		1
8	AGP05901837	BLT, HWH #10-24X.75 ZCC		2
9	AGP06500934	NUT-KEPS 10-24		2
10	AGP05901832	BLT, HEX .31-18X.625 G5 ZCC		4
11	AGP09484900	PAD, OPERATOR		1
12	AGP09287000	KEY, W/ SHIELD	SERVICE PART	1

AGU994160 Operator Platform - 32"

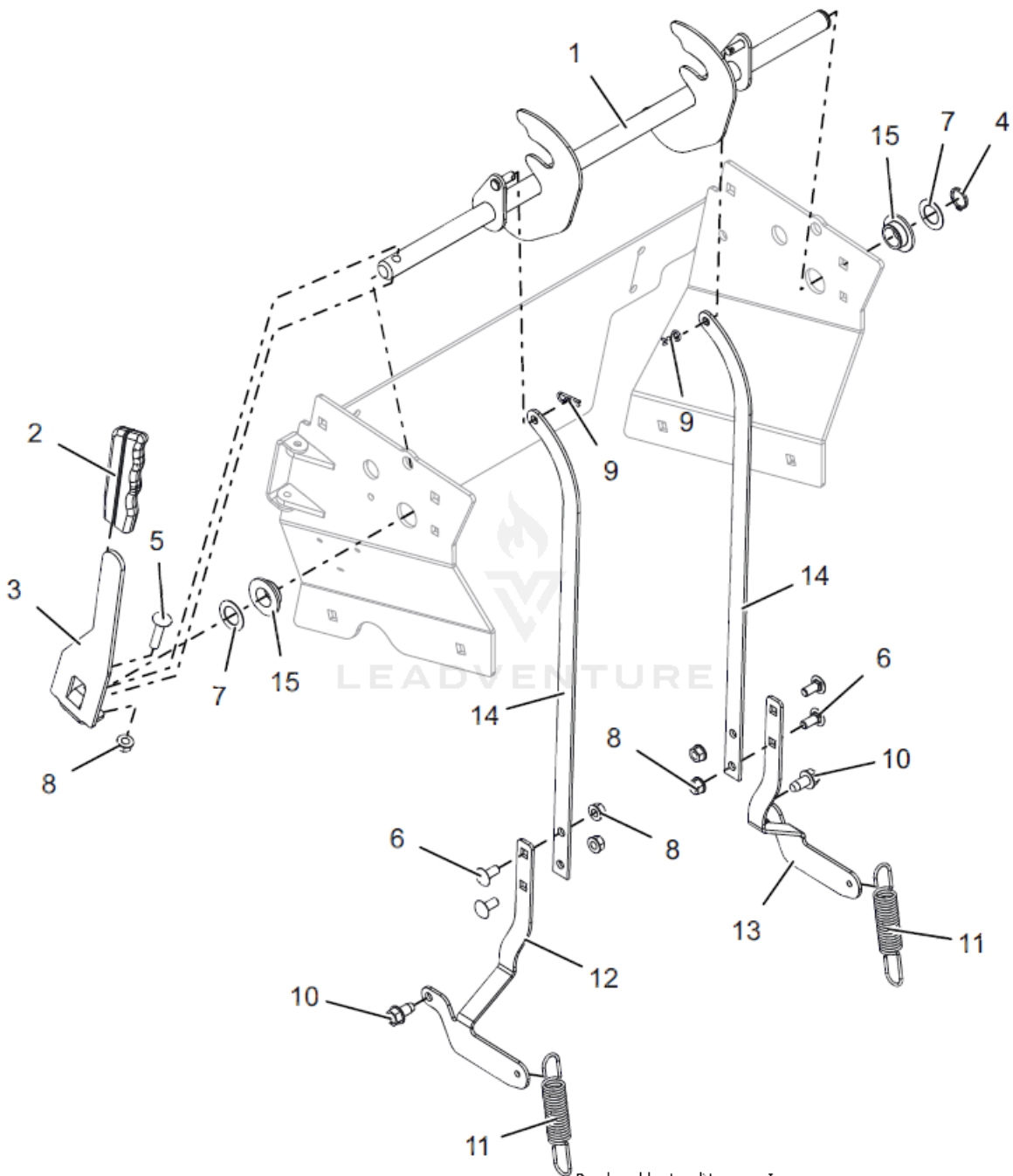


Rendered by LeadVenture, Inc.

AGU994160 Operator Platform - 32"

Ref Number	Part Number	Part Description	Context Notes	Quantity
1	AGP09496351	WLDMT, 32" Z-STANCE PLATFORM (BLACK)		1
2	AGP05255200	BUMPER, PLATFORM		2
3	AGP05258700	TAPE, OPERATOR PLATFORM GRIP		1
4	AGP05527200	BSHG-FLG .515X.746X1.290X1.000		2
5	AGP05806200	PIN, SPRG .188 X .625		1
6	AGP05901929	BLT, HEX .50-13X2.00 G5 ZCC		2
7	AGP05902033	SCR, SKH .25-20X1.00		2
8	AGP06200309	BLT, RHSSN.31-18X.750 G5 ZCC		2
9	AGP06401001	WSHR,FLT .281X.625X.065 ZCC		2
10	AGP06500821	NUT-LK-CTR-FLG .25-20 ZC120		2
11	AGP06500840	NUT,LK-CTR-FLG .31-18 GF ZCC		2
12	AGP06500902	NUT-LK-CTR-FLG .500-13 GG ZCC		2
13	AGP07400122	SCR-TAP .25-20X.50 HWH ZCC		2
14	AGP07500517	PIN, HOC SELECTOR/PLTFRM LOCK		1
15	AGP09496253	GUARD, 32" FOOT (RED)		1
16	AGP09679353	BRKT, PLATFORM LOCK PIN MTG (RED)		1

AGU994160 Parking Brake - 32"



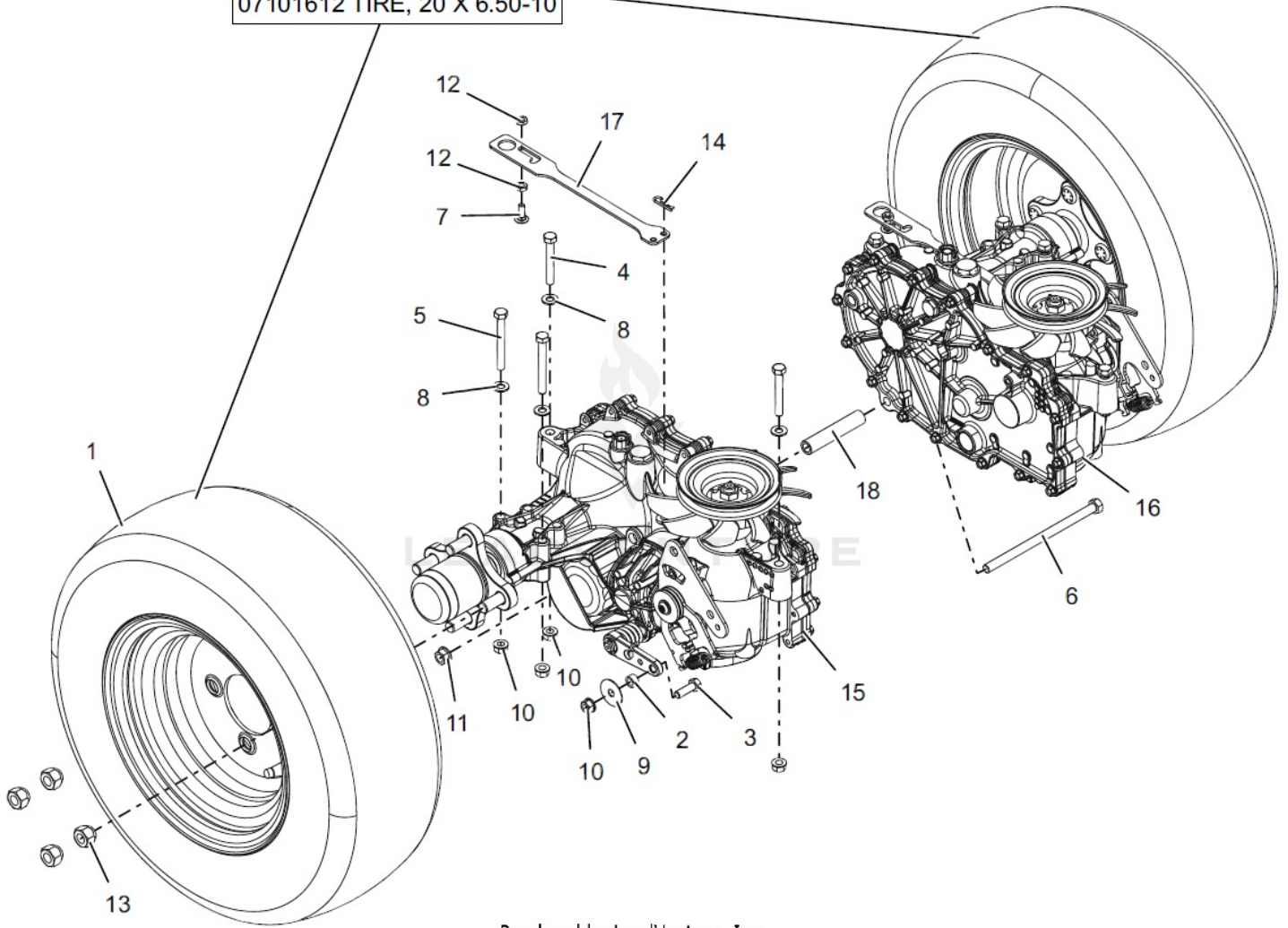
Rendered by Leadventure, Inc.

AGU994160 Parking Brake - 32"

Ref Number	Part Number	Part Description	Context Notes	Quantity
1	AGP09485700	WLDMT, 32" PARKING BRAKE SHAFT		1
2	AGP05097200	GRIP, PARKING		1
3	AGP05259951	HANDLE, PARK BRAKE (BLACK)		1
4	AGP05714600	RG-RTNG-EXT .689X.078		1
5	AGP06200233	BLT,RHSN .31-18X1.50 G5 ZCC		1
6	AGP06200309	BLT, RHSSN.31-18X.750 G5 ZCC		4
7	AGP06401136	WSHR-FL-STL 0.76X1.225X0.032 ZCC		2
8	AGP06500840	NUT,LK-CTR-FLG .31-18 GF ZCC		5
9	AGP06700222	PIN, HAIR #213 .08X1.19 ZCC		2
10	AGP07400129	SCR,TAP .375-16X.75 HWH TR ZCC		2
11	AGP08333200	SPRG, EXTENSION .105 X .850 X 5.000		2
12	AGP09485351	LINKAGE, PARK BRAKE LOWER RH (BLACK)		1
13	AGP09485451	LINKAGE, PARK BRAKE LOWER LH (BLACK)		1
14	AGP09485551	LINKAGE, PARKER BRAKE (BLACK)		2
15	AGP05501517	BSHG, FLANGED .762 X 1.48 X .44 IGLIDER		2

AGU994160 Rear Tires & Transaxles - 32"

SERVICE PART:
07101612 TIRE, 20 X 6.50-10

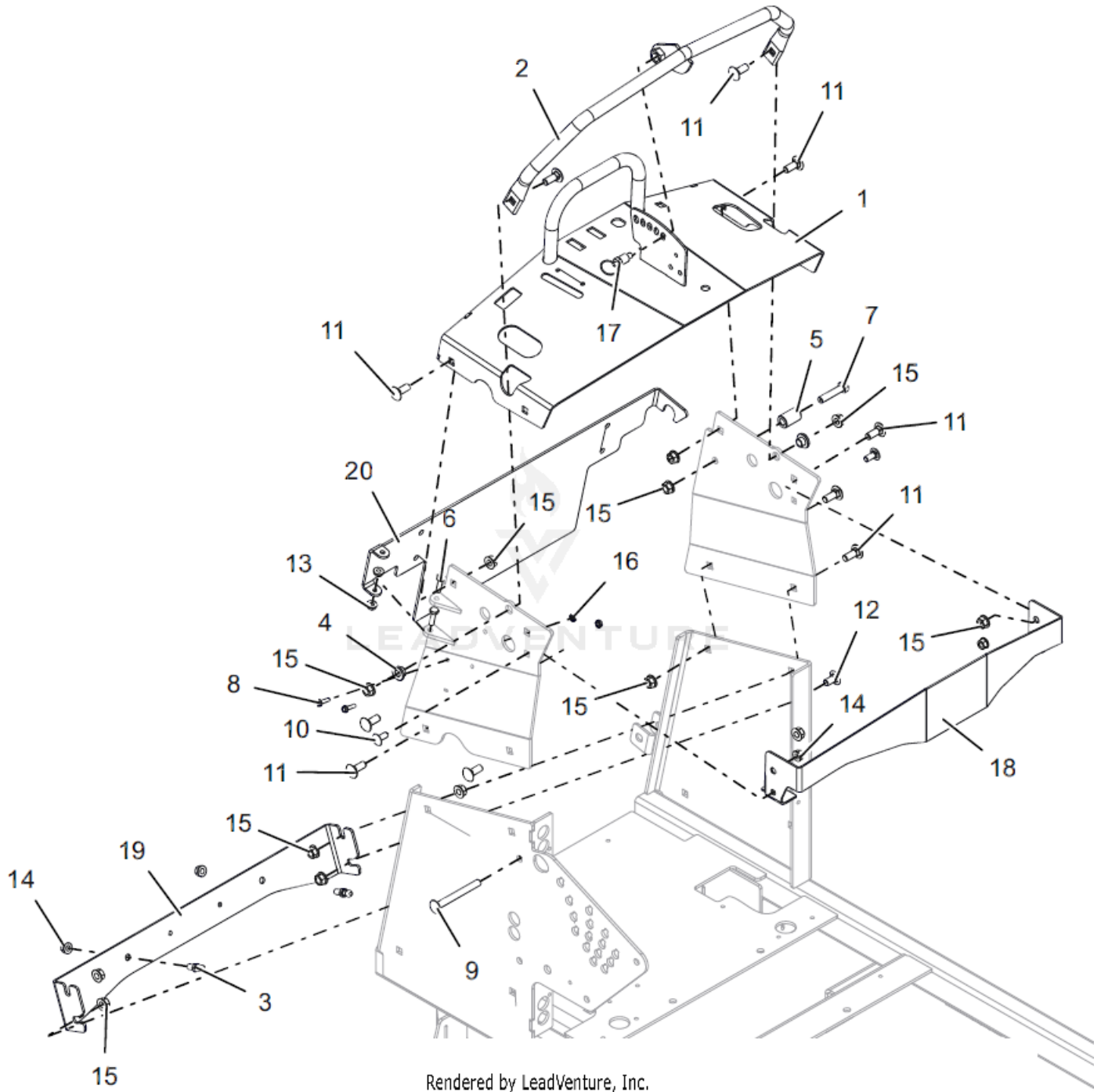


Rendered by LeadVenture, Inc.

AGU994160 Rear Tires & Transaxles - 32"

Ref Number	Part Number	Part Description	Context Notes	Quantity
1	AGP07101513	ASSM TIRE/WHEEL, 20 X 6.50-10		2
2	AGP05501408	SPCR- SLV .344 X .500 X .283		2
3	AGP05901701	BLT,HEX .31-18X1.00 G5 ZCC		2
4	AGP05901806	BLT, HEX .31-18X2.25 G5 ZCC		4
5	AGP05901807	BLT, HEX .31-18X2.75 G5 ZCC		4
6	AGP05902029	BLT, HEX .38-16X6.50 G5 ZCC		1
7	AGP06200307	BLT, RHSN .25-20X.750 G5 ZCC		2
8	AGP06401017	WSHR,FLT .344X.688X.065 ZCC		8
9	AGP06401105	WSHR, FLT .347X1.254X.048 ZCC		2
10	AGP06500840	NUT,LK-CTR-FLG .31-18 GF ZCC		10
11	AGP06500901	NUT-LK-CTR-FLG .375-16 GF ZCC		1
12	AGP06500912	NUT, JAM-CTR LK .250-20 GB ZCC		4
13	AGP06500926	NUT, WHEEL .50-20 ZCC		8
14	AGP06700222	PIN, HAIR #213 .08X1.19 ZCC		2
15	AGP09653900	TRANSAXLE, RH ZT3100 Z-STANCE 32"		1
16	AGP09654000	TRANSAXLE, LH ZT3100 Z-STANCE 32"		1
17	AGP09654151	LEVER, TRANSAXLE DUMP VALVE (BLACK)		2
18	AGP09654200	SPCR, TRANSAXLE .406 ID X .630 OD X 3.250		1
19	AGP07101612	TIRE, 20 X 6.50-10	SERVICE PART	2

AGU994160 Tower & Dash



Rendered by LeadVenture, Inc.

AGU994160 Tower & Dash

Ref Number	Part Number	Part Description	Context Notes	Quantity
1	AGP59406800	CONSOLE WLDMT W/ SAFETY DECALS		1
2	AGP09488551	WLDMT, SPEED CONTROL BAR (BLACK)		1
3	AGP03652200	STUD- BALL		2
4	AGP05500435	BSHG-FLG .385X.500X.875X.406		2
5	AGP05501308	BUSHING, SLV .380X.750X1.190		1
6	AGP05901639	BLT,HEX .25-20X1.00 G5 ZCC		2
7	AGP05901809	BLT, HEX .38-16X1.75 G5 ZCC		1
8	AGP05901837	BLT, HWH #10-24X.75 ZCC		2
9	AGP06200238	BLT,RHSSN .38-16X3.50 G5 ZCC		1
10	AGP06200309	BLT, RHSSN.31-18X.750 G5 ZCC		2
11	AGP06200313	BLT, RHSN .38-16X1.00 G5 ZCC		10
12	AGP06200336	BLT, RHSSN .38-16X.75 G5 ZCC		1
13	AGP06500821	NUT-LK-CTR-FLG .25-20 ZC120		2
14	AGP06500840	NUT,LK-CTR-FLG .31-18 GF ZCC		4
15	AGP06500901	NUT-LK-CTR-FLG .375-16 GF ZCC		13
16	AGP06500934	NUT-KEPS 10-24		2
17	AGP07000037	PULL PIN, .500-13 THD X.310 PLUNGR		1
18	AGP09655251	PLATE, DASH ACCENT (BLACK)		1
19	AGP09655451	BRKT, DAMPER MOUNT (BLACK)		1
20	AGP59406900	OPERATOR PAT MTG BRKT W/ SAFETY DECALS		1