

Parts Manual

Mfg. No: 2692089-00
Corvette 300 18" Walk Behind Mower

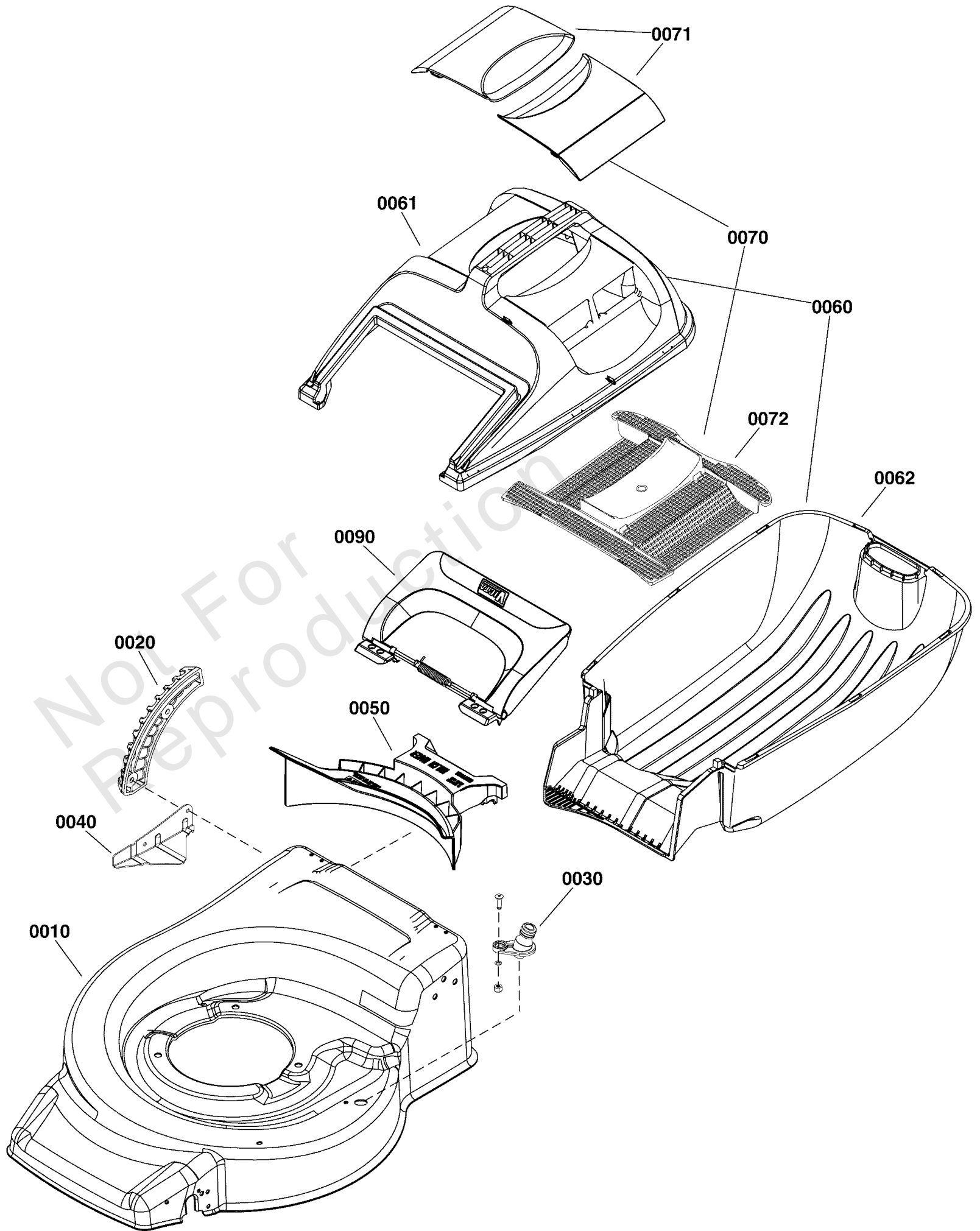
Model Components	Page
Deck & Catcher Group.....	4
Engine & Blades Group.....	6
Handles & Controls Group.....	8
Wheels & Axles Group.....	10
Torque Specification Chart.....	12

Not For
Reproduction

Deck & Catcher Group

Note: Unless noted otherwise, use the standard torque specifications

Mfg. No: 2692089-00



Deck & Catcher Group

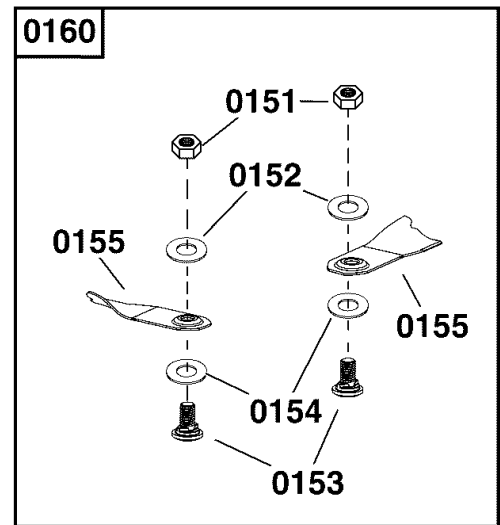
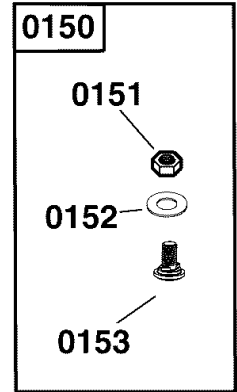
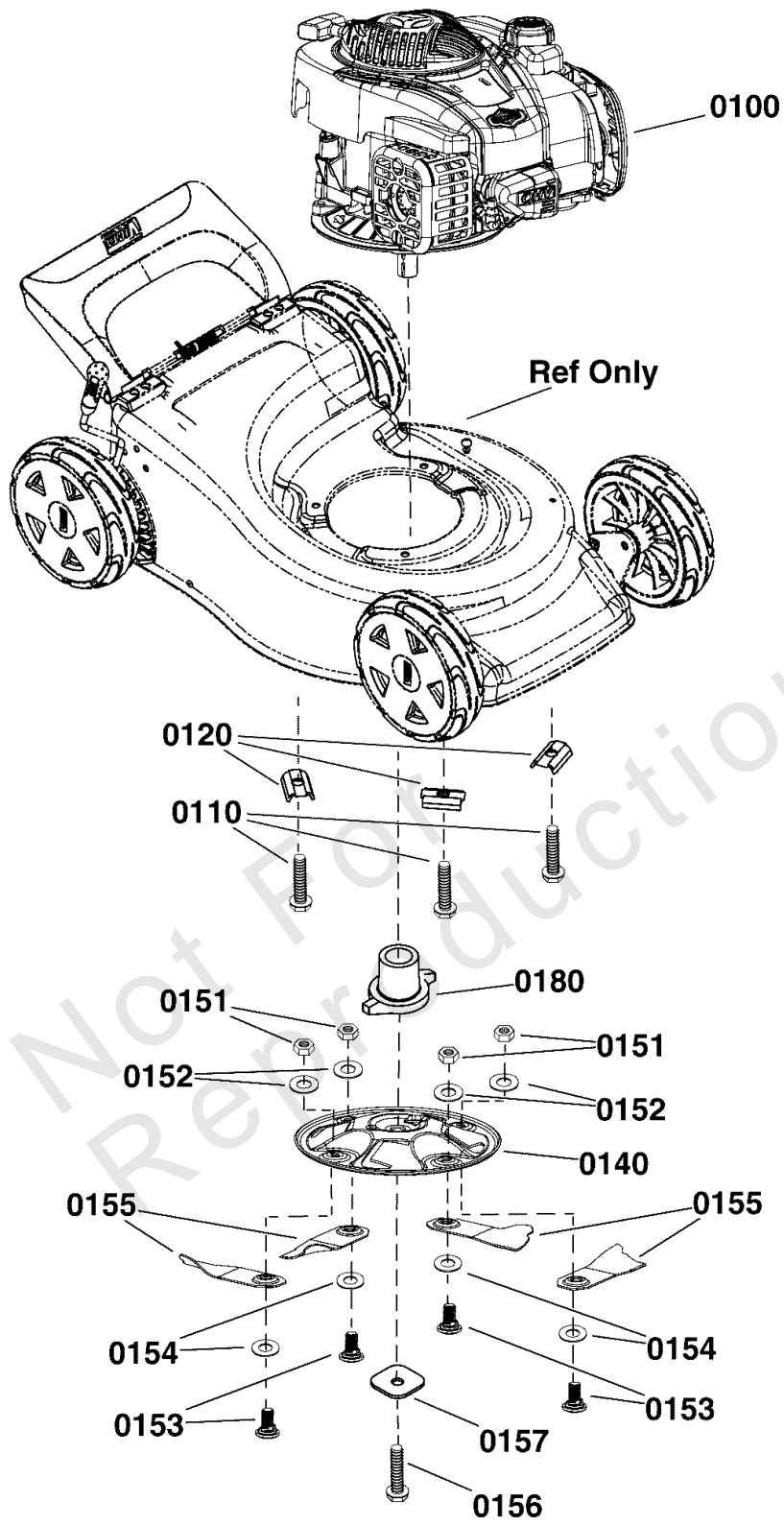
REF NO	PART NO	QTY	DESCRIPTION
0010	CH87964EW	1	MOWER DECK, Aztec Silver, 18"
0020	CH87983A	1	HEIGHT ADJUST
0030	CH88365A	1	WASHPORT ASSEMBLY
0040	CH87976A	1	SUPPORT, Mulching Plug
0050	CH87972A	1	MULCHING PLUG
0060	80130390	1	GRASS CATCHER ASSEMBLY, Black -(Includes Ref. 0061, 0062 & 0070)
0061	-----	1	GRASS CATCHER, Top
0062	-----	1	GRASS CATCHER, Bottom
0070	GC11767V	1	VENT & MESH PACK, Adjustable Vents, Silver -(Includes items 0071 & 0072)
0071	-----	2	GRASS CATCHER, Vents
0072	-----	1	GRASS CATCHER, Mesh
0090	CH87970A	1	REAR FLAP ASSEMBLY

Not For Reproduction

Engine & Blades Group

Note: Unless noted otherwise, use the standard torque specifications

Mfg. No: 2692089-00



Engine & Blades Group

REF NO	PART NO	QTY	DESCRIPTION
0100	093J05-0191-H5	1	* ENGINE, Briggs & Stratton 625EXi 18V ES Series -(Engine Style may vary from illustration)
0110	HA21320D	3	BOLT, Taptite, HW, 3/8 UNC x 30
0120	HA22228D	3	WASHER, Engine Bolt
0140	CA09521A	1	BLADE DISC, Mulching, Low Inertia
0156	-----	1	BOLT, Blade
0157	-----	1	WASHER, Tension
0150	CA09277P	1	KIT, Hardware, Blade, Washer, Nut , Bulk Pack (50 Pairs) -(Includes Ref. 0151 through 0155)
0151	-----	4	NUT, Nylock, 3-8 UNC
0152	-----	4	WASHER, Belleville
0153	-----	4	BOLT, Blade
0160	CA09470B	1	KIT, Blade & Bolt, Bulk Pack (1 Pack) -(Includes Ref 0151 through 0155)
0151	-----	4	NUT, Nylock, 3-8 UNC
0152	-----	4	WASHER, Belleville
0153	-----	4	BOLT, Blade
0154	-----	4	WASHER, Tension
0155	-----	4	BLADE, Mulching
0180	EE14861A	1	SLEEVE, Engine

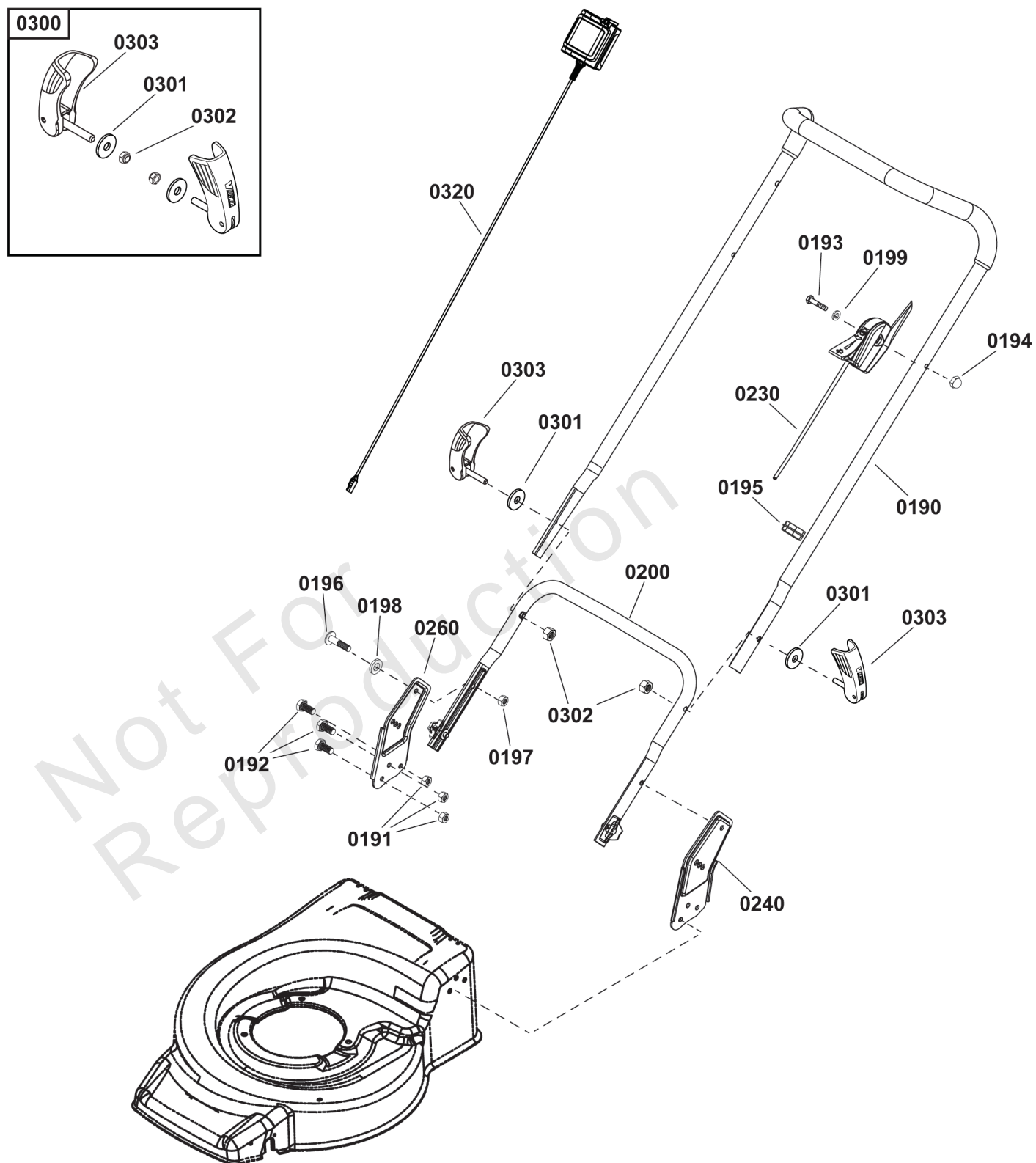
Footnotes:

Note* To verify your specific engine model, please reference the ID Tag located on your engine. See your local distributor for parts and service.

Handles & Controls Group

Note: Unless noted otherwise, use the standard torque specifications

Mfg. No: 2692089-00



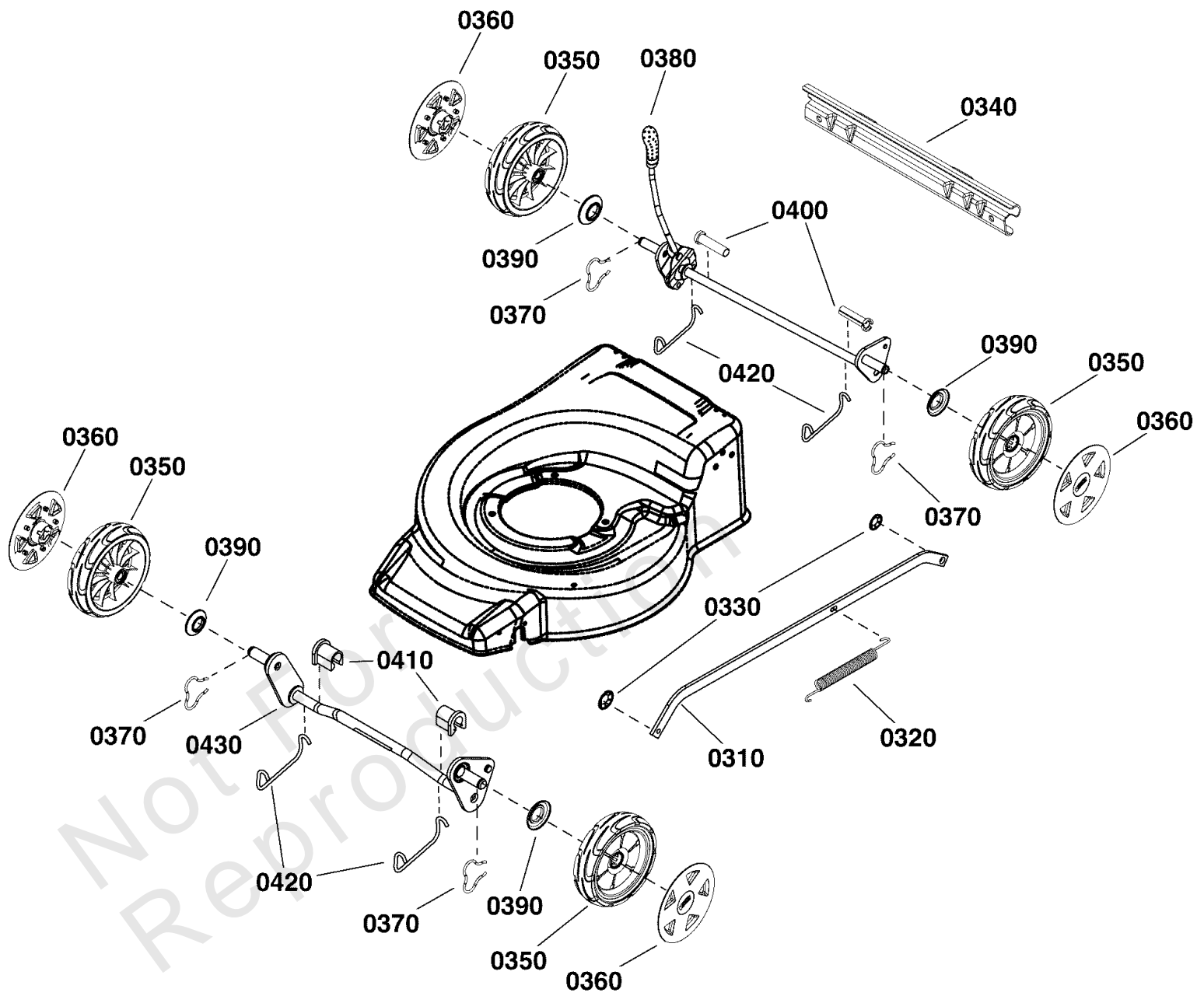
Handles & Controls Group

REF NO	PART NO	QTY	DESCRIPTION
0190	CH88392B	1	UPPER HANDLE ASSEMBLY, Black/Red
0191	-----	6	NUT, Hexagon, M8
0192	-----	6	BOLT, Hexagon Flange, M8 X 16
0193	-----	1	BOLT, M6X45
0194	-----	1	NUT, Acorn, M6
0195	-----	1	CLAMP, Cable
0196	-----	2	BOLT, Arc Head, M8X33
0197	-----	2	NUT, M8
0198	-----	2	WASHER, Cam, M8
0199	-----	1	WASHER, M8
0200	CH88397B	1	LOWER HANDLE ASSEMBLY, Adjustable, Black
0230	TC05087A	1	THROTTLE CONTROL ASSEMBLY
0240	CH87986A	1	SUPPORT, Handle, Left, Adjustable
0260	CH88328A	1	SUPPORT, Handle, Right, Adjustable
0300	CH86781P	1	WINGED LOCKING LEVER PACK -(Set of 2, Includes Ref. 0301 through 0303)
0301	-----	2	WASHER
0302	-----	2	NUT, M8
0303	-----	2	LEVER, Winged
0320	80128630	1	Push Button Start Spare Part Kit
0330	80109464	1	BATTERY, B&S 18V 2.5Ah -(Not Illustrated)

Wheels & Axles Group

Note: Unless noted otherwise, use the standard torque specifications

Mfg. No: 2692089-00



Wheels & Axles Group

REF NO	PART NO	QTY	DESCRIPTION
0310	CH87978A	1	CONNECTING LINK, 18"
0320	CH88319A	1	SPRING, Connecting Link
0330	CH88386A	2	COLLAR, Locking
0340	CH87977A	1	SKIRT, Rear
0350	CH87335A	4	WHEEL ASSEMBLY, Razor, 8"
0360	CH88271B	4	HUBCAP, Razor, Metallic Silver
0370	CH86298A	4	CAPTIVATED CLIP, Wheel
0380	CH87979A	1	REAR AXLE ASSEMBLY
0390	CH88337A	4	SEAL, Dust
0400	CH88447A	2	BUSHING, Rear Axle
0410	CH88339A	2	BUSHING, Front Axle
0420	CH86912A	4	HOOK, Spring
0430	CH88350A	1	FRONT AXLE ASSEMBLY

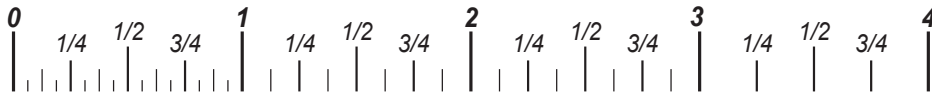
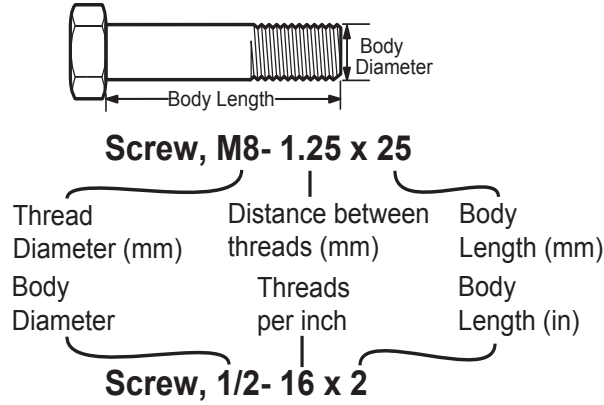
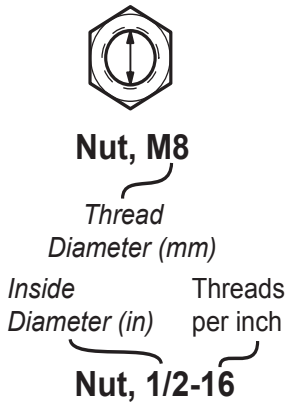
Not For Reproduction

Hardware Identification & Torque Specifications

Torque Specification Chart								
FOR STANDARD METRIC MACHINE HARDWARE (Tolerance ± 20%)								
Property Class	5.6		8.8		10.9		12.9	
	Class 5.6		Class 8.8		Class 10.9		Class 12.9	
Size Of Hardware	in/lbs	Nm.	in/lbs	Nm.	in/lbs	Nm.	in/lbs	Nm.
	ft/lbs		ft/lbs		ft/lbs		ft/lbs	
M3	5.88	.56	13.44	1.28	19.2	1.80	22.92	2.15
M4	13.44	1.28	30.72	2.90	43.44	4.10	52.56	4.95
M5	26.4	2.50	60.96	5.75	5.97	8.10	7.15	9.7
M6	44.64	4.3	7.3	9.9	10.3	14	12.1	16.5
M7	5.2	7.1	12.1	16.5	16.9	23	19.9	27
M8	7.7	10.5	17.7	24	25	34	29	40
M10	15	21	35	48	50	67	59	81
M12	26	36	61	83	86.2	117	103	140
M14	42	58	101	132	136	185	162	220
M16	64	88	147	200	210	285	250	340
M18	89	121	202	275	287	390	346	470
M20	126	171	290	390	405	550	486	660
M22	169	230	390	530	559	745	656	890
M24	217	295	497	375	708	960	840	1140
M27	320	435	733	995	1032	1400	1239	1680
M30	435	590	995	1350	1401	1900	1681	2280
M33	590	800	1349	1830	1902	2580	2278	3090
M36	759	1030	1740	2360	2441	3310	2935	3980
M39	988	1340	2249	3050	3163	4290	3798	5150

Torque Specification Chart						
FOR STANDARD MACHINE HARDWARE (Tolerance ± 20%)						
Hardware Grade	No Marks		SAE Grade 5		SAE Grade 8	
	SAE Grade 2		SAE Grade 5		SAE Grade 8	
Size Of Hardware	in/lbs	Nm.	in/lbs	Nm.	in/lbs	Nm.
	ft/lbs		ft/lbs		ft/lbs	
8-32	19	2.1	30	3.4	41	4.6
8-36	20	2.3	31	3.5	43	4.9
10-24	27	3.1	43	4.9	60	6.8
10-32	31	3.5	49	5.5	68	7.7
1/4-20	66	7.6	8	10.9	12	16.3
1/4-28	76	8.6	10	13.6	14	19.0
5/16-18	11	15.0	17	23.1	25	34.0
5/16-24	12	16.3	19	25.8	29	34.0
3/8-16	20	27.2	30	40.8	45	61.2
3/8-24	23	31.3	35	47.6	50	68.0
7/16-14	30	40.8	50	68.0	70	95.2
7/16-20	35	47.6	55	74.8	80	108.8
1/2-13	50	68.0	75	102.0	110	149.6
1/2-20	55	74.8	90	122.4	120	163.2
9/16-12	65	88.4	110	149.6	150	204.0
9/16-18	75	102.0	120	163.2	170	231.2
5/8-11	90	122.4	150	204.0	220	299.2
5/8-18	100	136	180	244.8	240	326.4
3/4-10	160	217.6	260	353.6	386	525.0
3/4-16	180	244.8	300	408.0	420	571.2
7/8-9	140	190.4	400	544.0	600	816.0
7/8-14	155	210.8	440	598.4	660	897.6
1-8	220	299.2	580	788.8	900	1,244.0
1-12	240	326.4	640	870.4	1,000	1,360.0

The guides and ruler furnished below are designed to help you select the appropriate hardware.



Standard Hardware Sizing

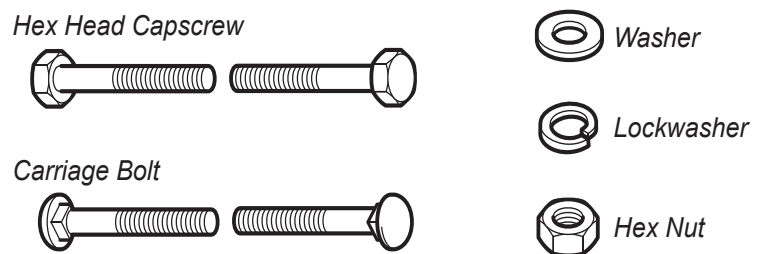
When a washer or nut is identified as 1/2" (M8), this is the *Nominal size*, meaning the *inside diameter* is 1/2 inch (8mm metric thread diameter); if a second number is present it represents the *threads per inch* (distance between threads).

When bolt or capscrew is identified as 1/2 - 16 x 2" (M8 - 1.25 x 50), this means the *Nominal size*, or body diameter is 1/2 inch (8mm metric thread diameter), the second number, 16, represents the *threads per inch*, (*distance between threads*). The final number is the body length of the bolt or screw, 2 inches (50mm).

NOTES

- These torque values are to be used for all hardware excluding: locknuts, self-tapping screws, thread forming screws, sheet metal screws and socket head setscrews.
- Recommended seating torque values for locknuts:
 - for prevailing torque locknuts - use 65% of grade 5 torques.
 - for flange whizlock nuts and screws - use 135% of grade 5 torques.
- Unless otherwise noted on assembly drawings, all torque values must meet this specification.

Common Hardware Types



Wrench & Fastener Size Guide

1/4" Bolt or Nut Wrench—7/16"	5/16" Bolt or Nut Wrench—1/2"	3/8" Bolt or Nut Wrench—9/16"	7/16" Bolt or Nut Wrench (Bolt)—5/8" Wrench (Nut)—11/16"	1/2" Bolt or Nut Wrench—3/4"
M6 Bolt or Nut Wrench—10mm	M8 Bolt or Nut Wrench—13mm	M10 Bolt or Nut Wrench—17mm	M12 Bolt or Nut Wrench—19mm	M14 Bolt or Nut Wrench—22mm

