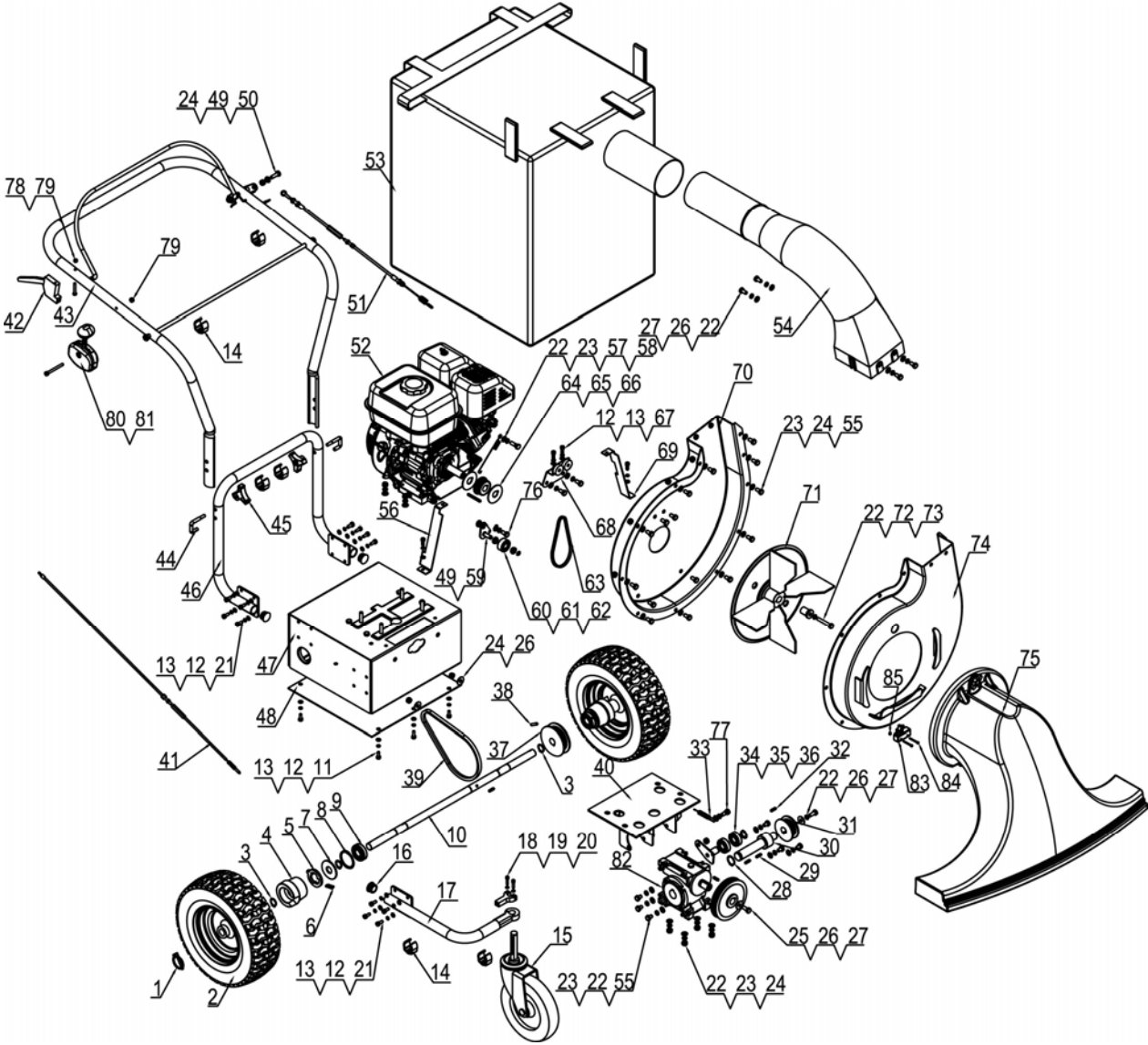


Illustrated Parts List



Ref #	Part No.	Description	Qty
1	TS600-00009	Ring Type O Lock	2
2	NC6501-00010	Wheel	2
3	9304-20000-FH	Circlip for Shaft	5
4	NC6501-00009	Wheel Flange	2
5	NC65-00028	Ratchet	2
6	NC65-00024	Key	2
7	NC6501-00008	Tire Mounting Flat Pad Ø8	2
8	9304-47000-FH	Shaft Retaining Ring	2
9	NC6501-00017	Bearing	2
10	NC6501-00007	Wheel Axle	1
11	9101-06020-DX8.8	Hex Bolt M6x20	6
12	9306-06000-DX	Lock Washer Ø6	22
13	9301-06000-DX	Flat Washer Ø6	22
14	NC6501-00012	Line Buckle	7
15	NC6501-00013	Universal Wheel Assembly	1
16	NC6501-00030	Silencer	3
17	NC6501-07000	Front Wheel Bracket Welding	1
18	9105-05020-DX	Inner Hex Bolt M5x20	2
19	9306-05000-DX	Lock Washer Ø5	2
20	NC6501-00021	Wheel Clutch	1
21	9101-06025-DX	Hex Bolt M6x25	12
22	9306-08000-DX	Lock Washer Ø8	25
23	9301-08000-DX	Flat Washer Ø8	30
24	9206-08000-DX	Nylon Lock Nut M8	23
25	NC6501-00002	Synchronous Driven Wheel	1
26	9302-08000-DX	Big Flat Washer Ø8	8
27	9101-08020-DX8.8	Hex Bolt M8x20	6
28	9304-25000-FH	Shaft Retaining Ring	1
29	8801-8x7x30	Flat Key	2
30	NC6501-00019	Gearbox Output Shaft	1
31	NC6501-00004	Multi-wedge Drive Wheel	1
32	5x5x20	Flat Key	3
33	NC6501-00024	Tensioning Spring 1	1
34	NC6501-03000	Tensioning Welded Parts	1
35	9603-6203	Bearing	2
36	9304-17000-FH	Shaft Retaining Ring	1
37	NC6501-00005	Multi-wedge Driven Wheel	1

Ref #	Part No.	Description	Qty
38	9402-06025-FH	Elastic Cylindrical Pin	1
39	7-PJ-530	V-ribbed Belt	1
40	NC6501-02000	Gearbox Mounting Weldment	1
41	NC6501-00020	Wheel Clutch Cable	1
42	NC6501-00022	Handle	1
43	NC6501-09000	Handle Assembly	1
44	NC6501-00015	U-screw	2
45	N280-70000	Hand Wheel	2
46	NC6501-08000	Rear Bracket Welding	1
47	NC6501-01000	Engine Mounting Weldment	1
48	NC6501-00023	Bottom Sealing Plate	1
49	NC6501-00026	Mounting Washer	2
50	9101-08025-DX8.8	Hex Bolt M8x25	1
51	NC6501-00018	Tension Cable	1
52	GX200	Honda Engine	1
53	NC6501-00016	Debris Bag	1
54	NC6501-00014	Ventilation Duct	1
55	9101-08016-DX8.8	Hex Bolt M8x16	21
56	NC6501-00029	Protective Cover 2	1
57	NC6501-00025	Tensioning Spring 2	1
58	NC6501-00011	Spring Retaining Bolt	1
59	NC6501-11000	Timing Belt Tensioner	1
60	NC6501-00027	Bearing Washer	2
61	GB/T 296-3202	Bearing	1
62	9304-09000-FH	Shaft Retaining Ring	1
63	HTD570-5M-15	Timing Belt	1
64	8801-4.78x4.78x50	Flat Key	1
65	NC6501-00001	Synchronous Drive Wheel	1
66	NC6501-00003	Impeller Gasket	2
67	9105-06020-DX	Inner Head Bolt M6x20	4
68	NC6501-10000	Connecting the Welded Parts	1
69	NC6501-00028	Protective Cover 1	1
70	NC6501-05000	Chassis Back Plate Welding	1
71	NC6501-04000	Blade Welding	1
72	NC6501-00031	Crankshaft Compression	1
73	5/16-24UNF-2	Hex Bolt	1
74	NC6501-06000	Case Front Plate Welding	1

Ref #	Part No.	Description	Qty
75	NC65-05000	Vacuum Snout	1
76	5/16-24UNF-4/5	Hex Bolt	3
77	NC6501-00032	Clutch Spring Bolt	1
78	9110-06055-DX	Cross Recessed Pan Head Bolt M6x55	1
79	9206-06000-DX	Nylon Lock Nut M6	2
80	9101-06065-DX8.8	Hex Bolt M6x65	1
81	TS6100-00029	Throttle Switch	1
82	NC6501-00006	Gearbox	1
83	NC6501-00033	Switch	1
84	9110-04030-DX	Screw M4x30	2
85	9206-04000-DX	Nylon Lock Nut M4	2

Customer Service:

303 Warrigal Road, Cheltenham, Victoria 3192, Australia

Telephone: 1300 454 585

Website: www.BWMachinery.com.au

Email: admin@bwmachinery.com.au

Spare parts are available from our dealers and our official website.